

ITU Operational Bulletin

www.itu.int/itu-t/bulletin

No. **1251**

1.IX.2022

(Information received by 14 August 2022) ISSN 1564-5223 (Online)

Place des Nations CH-1211
Genève 20 (Switzerland)
Tel: +41 22 730 5111
E-mail: itumail@itu.int

Standardization Bureau (TSB)
Tel: +41 22 730 5211
Fax: +41 22 730 5853
E-mail: tsbmail@itu.int / tsbtson@itu.int

Radiocommunication Bureau (BR)
Tel: +41 22 730 5560
Fax: +41 22 730 5785
E-mail: brmail@itu.int

Table of Contents

	<i>Page</i>
GENERAL INFORMATION	
Lists annexed to the ITU Operational Bulletin: <i>Note from TSB</i>	3
Approval of ITU-T Recommendations	4
The International Identification Plan for Public Networks and Subscriptions (Recommendation ITU-T E.212 (09/2016)): <i>Note from TSB</i>	5
Telephone Service:	
Syrian Arab Republic (<i>Syrian Telecommunications and Post Regulatory Authority, Damascus</i>)	6
United Kingdom (<i>Office of Communications (Ofcom), London</i>)	8
Service Restrictions	121
Call-Back and alternative calling procedures (Res. 21 Rev. PP-06)	121
AMENDMENTS TO SERVICE PUBLICATIONS	
Mobile Network Codes (MNC) for the international identification plan for public networks and subscriptions.....	122
List of ITU Carrier Codes	124
List of International Signalling Point Codes (ISPC).....	125
National Numbering Plan	127

Annex

Status of Radiocommunications between Amateur Stations of Different Countries (In accordance with optional provision No. 25.1 of the Radio Regulations) and Form of Call Signs assigned by each Administration to its Amateur and Experimental Stations (Position on 1 September 2022)

<i>Dates of publication of the next Operational Bulletins</i>		<i>Including information received by:</i>
1252	15.IX.2022	31.VIII.2022
1253	1.X.2022	15.IX.2022
1254	15.X.2022	30.IX.2022
1255	1.XI.2022	14.X.2022
1256	15.XI.2022	1.XI.2022
1257	1.XII.2022	15.XI.2022
1258	15.XII.2022	30.XI.2022
1259	1.I.2023	9.XII.2022

GENERAL INFORMATION

Lists annexed to the ITU Operational Bulletin

Note from TSB

A. The following Lists have been published by TSB or BR as Annexes to the ITU Operational Bulletin (OB):

OB No.

- 1251 Status of Radiocommunications between Amateur Stations of Different Countries (In accordance with optional provision No. 25.1 of the Radio Regulations) and Form of Call Signs assigned by each Administration to its Amateur and Experimental Stations (Position on 1 September 2022)
- 1199 List of International Signalling Point Codes (ISPC) (According to Recommendation ITU-T Q.708 (03/1999)) (Position on 1 July 2020)
- 1162 Mobile Network Codes (MNC) for the international identification plan for public networks and subscriptions (According to Recommendation ITU-T E.212 (09/2016)) (Position on 15 December 2018)
- 1161 List of Issuer Identifier Numbers for the International Telecommunication Charge Card (In accordance with Recommendation ITU-T E.118 (05/2006)) (Position on 1 December 2018)
- 1125 List of Signalling Area/Network Codes (SANC) (Complement to Recommendation ITU-T Q.708 (03/1999)) (Position on 1 June 2017)
- 1125 List of terrestrial trunk radio mobile country codes (Complement to Recommendation ITU-T E.218 (05/2004)) (Position on 1 June 2017)
- 1117 List of mobile country or geographical area codes (Complement to Recommendation ITU-T E.212 (09/2016)) (Position on 1 February 2017).
- 1114 List of Recommendation ITU-T E.164 assigned country codes (Complement to Recommendation ITU-T E.164 (11/2010)) (Position on 15 December 2016)
- 1096 Legal time 2016
- 1060 List of ITU Carrier Codes (According to ITU-T Recommendation M.1400 (03/2013)) (Position on 15 September 2014)
- 1015 Access codes/numbers for mobile networks (According to ITU-T Recommendation E.164 (11/2010)) (Position on 1 November 2012)
- 1002 List of Country or Geographical Area Codes for non-standard facilities in telematic services (Complement to ITU-T Recommendation T.35 (02/2000)) (Position on 15 April 2012)
- 1001 List of the national authorities designated to assign ITU-T Recommendation T.35 terminal provider codes (Position on 1 April 2012)
- 1000 Service Restrictions (Recapitulatory list of service restrictions in force relating to telecommunications operation) (Position on 15 March 2012)
- 994 Dialling Procedures (International prefix, national (trunk) prefix and national (significant) number) (In accordance with ITU-T Recommendation E.164 (11/2010)) (Position on 15 December 2011)
- 991 Call-Back and alternative calling procedures (Res. 21 Rev. PP-06)
- 980 List of Telegram Destination Indicators (In accordance with ITU-T Recommendation F.32 (10/1995)) (Position on 15 May 2011)
- 978 List of Telex Destination Codes (TDC) and Telex Network Identification Codes (TNIC) (Complement to ITU-T Recommendations F.69 (06/1994) and F.68 (11/1988)) (Position on 15 April 2011)
- 977 List of Data Network Identification Codes (DNIC) (According to ITU-T Recommendation X.121 (10/2000)) (Position on 1 April 2011)
- 976 List of Data Country or Geographical Area Codes (Complement to ITU-T Recommendation X.121 (10/2000)) (Position on 15 March 2011)
- 974 List of Names of Administration Management Domains (ADMD) (In accordance with ITU-T F.400 and X.400 series Recommendations) (Position on 15 February 2011)
- 955 Various tones used in national networks (According to ITU-T Recommendation E.180 (03/1998)) (Position on 1 May 2010)
- 669 Five-letter Code Groups for the use of the International Public Telegram Service (According to ITU-T Recommendation F.1 (03/1998))

B. The following Lists are available online from the ITU-T website:

List of ITU Carrier Codes (ITU-T Rec. M.1400)

www.itu.int/ITU-T/inr/icc/index.html

Bureaufax Table (ITU-T Rec. F.170)

www.itu.int/ITU-T/inr/bureaufax/index.html

List of recognized operating agencies (ROAs)

www.itu.int/ITU-T/inr/roa/index.html

Approval of ITU-T Recommendations

CORRIGENDUM* - By AAP-10, it was announced that the following ITU-T Recommendations were approved, in accordance with the procedures outlined in Recommendation ITU-T A.8:

– ITU-T G.191 (07/2022): Software tools for speech and audio coding standardization

* This announcement cancels and replaces the title of the Recommendation ITU-T G.191 (07/2022) published in ITU Operational Bulletin No. 1250 of 15.VIII.2022, in English only, page 4.

By AAP-11, it was announced that the following ITU-T Recommendations were approved, in accordance with the procedures outlined in Recommendation ITU-T A.8:

- ITU-T K.21 (08/2022): Resistibility of telecommunication equipment installed in customer premises to overvoltages and overcurrents
- ITU-T K.76 (08/2022): EMC requirements for DC power ports of telecommunication network equipment in the frequency range below 150 kHz
- ITU-T K.87 (08/2022): Guide for the application of electromagnetic security requirements - Overview
- ITU-T K.123 (08/2022): Electromagnetic compatibility requirements for electrical equipment in telecommunication facilities
- ITU-T K.152 (08/2022): Electromagnetic compatibility requirements for power equipment in telecommunication facilities
- ITU-T L.1034 (08/2022): Adequate assessment and sensitisation on counterfeit ICT products and their environmental impact
- ITU-T L.1040 (08/2022): Effects of ICT enabled autonomy on vehicles longevity and waste creation
- ITU-T L.1230 (08/2022): Specifications of 10 kVAC input and up to 400 VDC output integrated power system in data center and telecommunication room
- ITU-T L.1240 (08/2022): Evaluation method of safety operations and energy saving for power supply system in telecommunication room/building
- ITU-T L.1318 (08/2022): Q factor: A fundamental metric expressing integrated circuit energy efficiency
- ITU-T L.1390 (08/2022): Energy saving technologies and best practices for 5G RAN equipment
- ITU-T L.1604 (08/2022): Development framework for bioeconomy in cities and communities
- ITU-T L.1610 (08/2022): City Science Application Framework
- ITU-T L.1620 (08/2022): Guide to Circular Cities

The International Identification Plan for Public Networks and Subscriptions (Recommendation ITU-T E.212 (09/2016))

Note from TSB

Identification codes for international non-commercial trials

Following the completion of the trial by Orange, TSB informs of the expiration of the assignment to Orange of trial numbering resource E.212 MCC 991 with MNC 02.

The assignee has duly discontinued the use of the trial resource and has returned it to TSB at the end of the assignment period, 7 August 2022. The returned trial numbering resource E.212 MCC 991 with MNC 02 is at the disposal of the TSB Director.

Telephone Service (Recommendation ITU-T E.164)

url: www.itu.int/itu-t/inr/nnp

Syrian Arab Republic (country code +963)

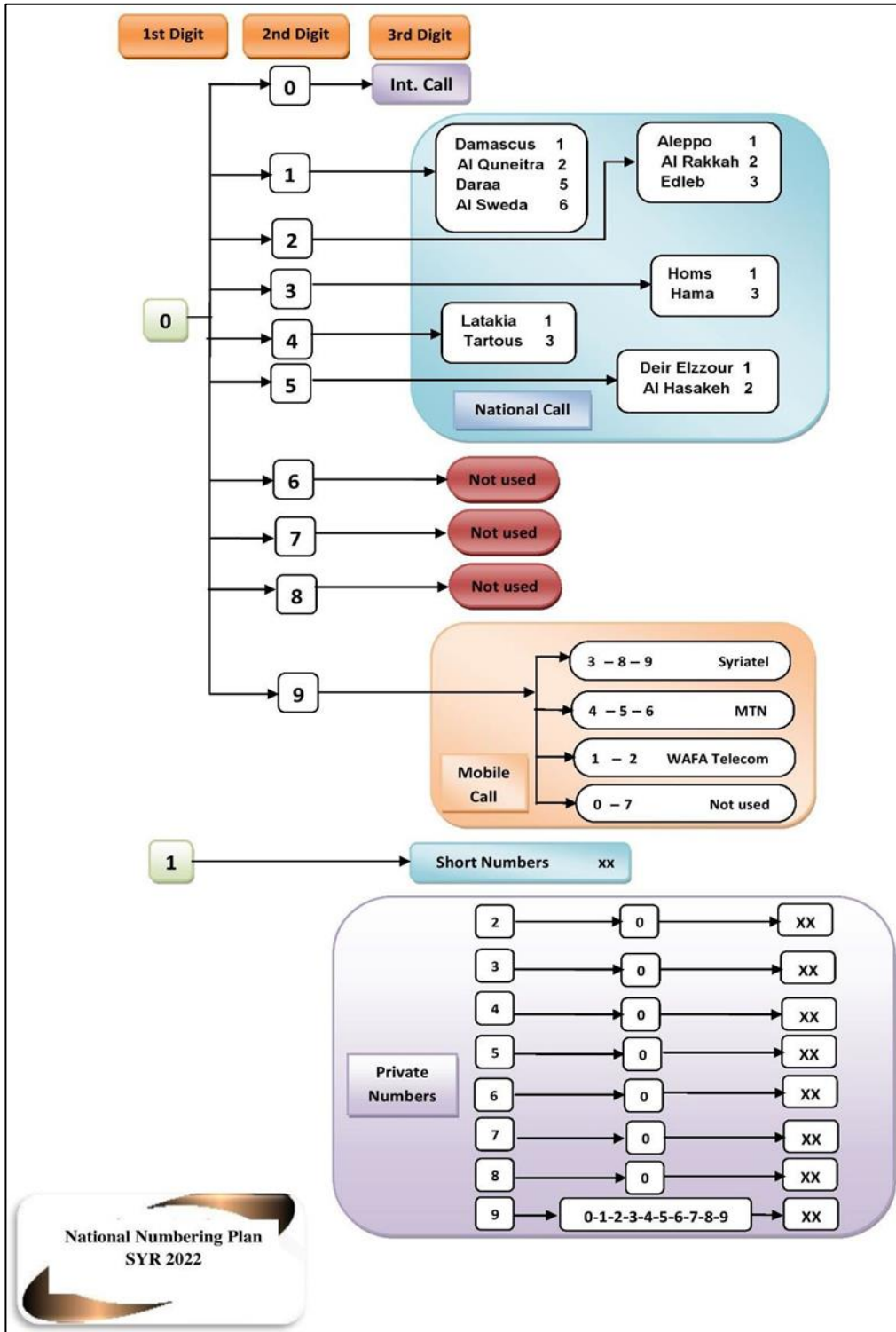
Communication of 11.VIII.2022:

The *Syrian Telecommunications and Post Regulatory Authority*, Damascus, announces the following national numbering plan.

National numbering Plan in fixed & Mobile networks Scheme:

Use	Range		# of digits	Comments
International & Country Code	+963		5 digits	
Mobile Operators	093/098/099 (Syriatel) + 7 digits		10 digits	
	094/095/096 (MTN Syria) + 7 digits			
	091/092 (WAFA Telecom) + 7 digits			
	090/097		Reserved	
Fixed Operator Syrian Telecom	Damascus & Rural	(0)11 + 7 digits	9/10 digits for POTS (10/11 digits for ISDN)	NDC +SN
	Al Quneitra	(0)14 + 7 digits		
	Daraa	(0)15 + 7 digits		
	Al Sweda	(0)16 + 6 digits		
	Aleppo	(0)21 + 7 digits		
	Al Rakkah	(0)22 + 6 digits		
	Edleb	(0)23 + 6 digits		
	Homs	(0)31 + 7 digits		
	Hama	(0)33 + 7 digits		
	Latakia	(0)41 + 7 digits		
	Tartous	(0)43 + 7 digits		
	Deir Elzour	(0)51 + 6 digits		
	Al Hasakeh	(0)52 + 6 digits		
	048 - 047			Used
	06 - 07			Not used
	1xx		3 digits	Short numbers
50xx - 20xx - 30xx 92xx - 93xx - 94xx - 95xx 97xx - 98xx - 99xx		4 digits	Ranges used for private numbering in all governorates	
40xx - 60xx - 70xx - 80xx - 90xx - 91xx - 96xx			In Damascus	

National Numbering Plan Diagram:



Contact:

Eng. Wael Saba
 Technical Affairs Director
 Syrian Telecommunications and Post Regulatory Authority
 DAMASCUS
 Syrian Arab Republic
 Tel: +963 11 613 6210
 Fax: +963 11 613 6211
 E-mail: technical.affairs@sytra.gov.sy
 URL: www.sytra.gov.sy

United Kingdom (country code +44)

Communication of 5.VIII.2022:

The *Office of Communications (Ofcom)*, London, announces that the following UK Paging and Mobile numbers have been allocated to communications providers in the United Kingdom (country code +44).

a. Overview

The minimum mobile number length (excluding the country code) is 10 digits

The maximum mobile number length (excluding the country code) is 10 digits

International dialling format for mobile numbers:

+44 71 XXXX XXXX

+44 72 XXXX XXXX

+44 73 XXXX XXXX

+44 74 XXXX XXXX

+44 75 XXXX XXXX

+44 77 XXXX XXXX

+44 78 XXXX XXXX

+44 79 XXXX XXXX

b. Details

Number Block	CP Name	Number Block Type	Allocation Date
7106 0	Telefonica UK Limited	071-075 and 077-079	11/02/2013
7106 1	Telefonica UK Limited	071-075 and 077-079	11/02/2013
7106 2	Telefonica UK Limited	071-075 and 077-079	11/02/2013
7106 3	Telefonica UK Limited	071-075 and 077-079	11/02/2013
7106 4	Telefonica UK Limited	071-075 and 077-079	11/02/2013
7106 5	Telefonica UK Limited	071-075 and 077-079	11/02/2013
7106 6	Telefonica UK Limited	071-075 and 077-079	11/02/2013
7106 7	Telefonica UK Limited	071-075 and 077-079	11/02/2013
7106 8	Telefonica UK Limited	071-075 and 077-079	11/02/2013
7106 9	Telefonica UK Limited	071-075 and 077-079	11/02/2013
7107 0	Telefonica UK Limited	071-075 and 077-079	11/02/2013
7107 1	Telefonica UK Limited	071-075 and 077-079	11/02/2013
7107 2	Telefonica UK Limited	071-075 and 077-079	11/02/2013
7107 3	Telefonica UK Limited	071-075 and 077-079	11/02/2013
7107 4	Telefonica UK Limited	071-075 and 077-079	11/02/2013
7107 5	Telefonica UK Limited	071-075 and 077-079	11/02/2013
7107 6	Telefonica UK Limited	071-075 and 077-079	11/02/2013
7107 7	Telefonica UK Limited	071-075 and 077-079	11/02/2013
7107 8	Telefonica UK Limited	071-075 and 077-079	11/02/2013
7107 9	Telefonica UK Limited	071-075 and 077-079	11/02/2013
7300 0	EE Limited (TM)	071-075 and 077-079	30/08/2016
7300 1	EE Limited (TM)	071-075 and 077-079	30/08/2016
7300 2	EE Limited (TM)	071-075 and 077-079	30/08/2016
7300 3	EE Limited (TM)	071-075 and 077-079	30/08/2016
7300 4	EE Limited (TM)	071-075 and 077-079	30/08/2016
7300 5	EE Limited (TM)	071-075 and 077-079	30/08/2016
7300 6	EE Limited (TM)	071-075 and 077-079	30/08/2016
7300 7	EE Limited (TM)	071-075 and 077-079	30/08/2016
7300 8	EE Limited (TM)	071-075 and 077-079	30/08/2016
7300 9	EE Limited (TM)	071-075 and 077-079	30/08/2016

Number Block	CP Name	Number Block Type	Allocation Date
7301 0	EE Limited (TM)	071-075 and 077-079	30/08/2016
7301 1	EE Limited (TM)	071-075 and 077-079	30/08/2016
7301 2	EE Limited (TM)	071-075 and 077-079	30/08/2016
7301 3	EE Limited (TM)	071-075 and 077-079	30/08/2016
7301 4	EE Limited (TM)	071-075 and 077-079	30/08/2016
7301 5	EE Limited (TM)	071-075 and 077-079	30/08/2016
7301 6	EE Limited (TM)	071-075 and 077-079	30/08/2016
7301 7	EE Limited (TM)	071-075 and 077-079	30/08/2016
7301 8	EE Limited (TM)	071-075 and 077-079	30/08/2016
7301 9	EE Limited (TM)	071-075 and 077-079	30/08/2016
7302 0	EE Limited (TM)	071-075 and 077-079	30/08/2016
7302 1	EE Limited (TM)	071-075 and 077-079	30/08/2016
7302 2	EE Limited (TM)	071-075 and 077-079	30/08/2016
7302 3	EE Limited (TM)	071-075 and 077-079	30/08/2016
7302 4	EE Limited (TM)	071-075 and 077-079	30/08/2016
7302 5	EE Limited (TM)	071-075 and 077-079	30/08/2016
7302 6	EE Limited (TM)	071-075 and 077-079	30/08/2016
7302 7	EE Limited (TM)	071-075 and 077-079	30/08/2016
7302 8	EE Limited (TM)	071-075 and 077-079	30/08/2016
7302 9	EE Limited (TM)	071-075 and 077-079	30/08/2016
7303 0	EE Limited (TM)	071-075 and 077-079	30/08/2016
7303 1	EE Limited (TM)	071-075 and 077-079	30/08/2016
7303 2	EE Limited (TM)	071-075 and 077-079	30/08/2016
7303 3	EE Limited (TM)	071-075 and 077-079	30/08/2016
7303 4	EE Limited (TM)	071-075 and 077-079	30/08/2016
7303 5	EE Limited (TM)	071-075 and 077-079	30/08/2016
7303 6	EE Limited (TM)	071-075 and 077-079	30/08/2016
7303 7	EE Limited (TM)	071-075 and 077-079	30/08/2016
7303 8	EE Limited (TM)	071-075 and 077-079	30/08/2016
7303 9	EE Limited (TM)	071-075 and 077-079	30/08/2016
7304 0	EE Limited (TM)	071-075 and 077-079	30/08/2016
7304 1	EE Limited (TM)	071-075 and 077-079	30/08/2016
7304 2	EE Limited (TM)	071-075 and 077-079	30/08/2016
7304 3	EE Limited (TM)	071-075 and 077-079	30/08/2016
7304 4	EE Limited (TM)	071-075 and 077-079	30/08/2016
7304 5	EE Limited (TM)	071-075 and 077-079	30/08/2016
7304 6	EE Limited (TM)	071-075 and 077-079	30/08/2016
7304 7	EE Limited (TM)	071-075 and 077-079	30/08/2016
7304 8	EE Limited (TM)	071-075 and 077-079	30/08/2016
7304 9	EE Limited (TM)	071-075 and 077-079	30/08/2016
7305 0	Virgin Mobile Telecoms Limited	071-075 and 077-079	17/11/2016
7305 1	Virgin Mobile Telecoms Limited	071-075 and 077-079	17/11/2016
7305 2	Virgin Mobile Telecoms Limited	071-075 and 077-079	17/11/2016
7305 3	Virgin Mobile Telecoms Limited	071-075 and 077-079	17/11/2016
7305 4	Virgin Mobile Telecoms Limited	071-075 and 077-079	17/11/2016
7305 5	Virgin Mobile Telecoms Limited	071-075 and 077-079	17/11/2016
7305 6	Virgin Mobile Telecoms Limited	071-075 and 077-079	17/11/2016
7305 7	Virgin Mobile Telecoms Limited	071-075 and 077-079	17/11/2016
7305 8	Virgin Mobile Telecoms Limited	071-075 and 077-079	17/11/2016

Number Block	CP Name	Number Block Type	Allocation Date
7305 9	Virgin Mobile Telecoms Limited	071-075 and 077-079	17/11/2016
7306 0	Virgin Mobile Telecoms Limited	071-075 and 077-079	17/11/2016
7306 1	Virgin Mobile Telecoms Limited	071-075 and 077-079	17/11/2016
7306 2	Virgin Mobile Telecoms Limited	071-075 and 077-079	17/11/2016
7306 3	Virgin Mobile Telecoms Limited	071-075 and 077-079	17/11/2016
7306 4	Virgin Mobile Telecoms Limited	071-075 and 077-079	17/11/2016
7306 5	Virgin Mobile Telecoms Limited	071-075 and 077-079	17/11/2016
7306 6	Virgin Mobile Telecoms Limited	071-075 and 077-079	17/11/2016
7306 7	Virgin Mobile Telecoms Limited	071-075 and 077-079	17/11/2016
7306 8	Virgin Mobile Telecoms Limited	071-075 and 077-079	17/11/2016
7306 9	Virgin Mobile Telecoms Limited	071-075 and 077-079	17/11/2016
7307 0	Hutchison 3G UK Ltd	071-075 and 077-079	15/12/2017
7307 1	Hutchison 3G UK Ltd	071-075 and 077-079	15/12/2017
7307 2	Hutchison 3G UK Ltd	071-075 and 077-079	15/12/2017
7307 3	Hutchison 3G UK Ltd	071-075 and 077-079	15/12/2017
7307 4	Hutchison 3G UK Ltd	071-075 and 077-079	15/12/2017
7307 5	Hutchison 3G UK Ltd	071-075 and 077-079	15/12/2017
7307 6	Hutchison 3G UK Ltd	071-075 and 077-079	15/12/2017
7307 7	Hutchison 3G UK Ltd	071-075 and 077-079	15/12/2017
7307 8	Hutchison 3G UK Ltd	071-075 and 077-079	15/12/2017
7307 9	Hutchison 3G UK Ltd	071-075 and 077-079	15/12/2017
7308 0	Hutchison 3G UK Ltd	071-075 and 077-079	15/12/2017
7308 1	Hutchison 3G UK Ltd	071-075 and 077-079	15/12/2017
7308 2	Hutchison 3G UK Ltd	071-075 and 077-079	15/12/2017
7308 3	Hutchison 3G UK Ltd	071-075 and 077-079	15/12/2017
7308 4	Hutchison 3G UK Ltd	071-075 and 077-079	15/12/2017
7308 5	Hutchison 3G UK Ltd	071-075 and 077-079	15/12/2017
7308 6	Hutchison 3G UK Ltd	071-075 and 077-079	15/12/2017
7308 7	Hutchison 3G UK Ltd	071-075 and 077-079	15/12/2017
7308 8	Hutchison 3G UK Ltd	071-075 and 077-079	15/12/2017
7308 9	Hutchison 3G UK Ltd	071-075 and 077-079	15/12/2017
7309 0	Hutchison 3G UK Ltd	071-075 and 077-079	15/12/2017
7309 1	Hutchison 3G UK Ltd	071-075 and 077-079	15/12/2017
7309 2	Hutchison 3G UK Ltd	071-075 and 077-079	15/12/2017
7309 3	Hutchison 3G UK Ltd	071-075 and 077-079	15/12/2017
7309 4	Hutchison 3G UK Ltd	071-075 and 077-079	15/12/2017
7309 5	Hutchison 3G UK Ltd	071-075 and 077-079	15/12/2017
7309 6	Hutchison 3G UK Ltd	071-075 and 077-079	15/12/2017
7309 7	Hutchison 3G UK Ltd	071-075 and 077-079	15/12/2017
7309 8	Hutchison 3G UK Ltd	071-075 and 077-079	15/12/2017
7309 9	Hutchison 3G UK Ltd	071-075 and 077-079	15/12/2017
7310 0	Hutchison 3G UK Ltd	071-075 and 077-079	15/12/2017
7310 1	Hutchison 3G UK Ltd	071-075 and 077-079	15/12/2017
7310 2	Hutchison 3G UK Ltd	071-075 and 077-079	15/12/2017
7310 3	Hutchison 3G UK Ltd	071-075 and 077-079	15/12/2017
7310 4	Hutchison 3G UK Ltd	071-075 and 077-079	15/12/2017
7310 5	Hutchison 3G UK Ltd	071-075 and 077-079	15/12/2017
7310 6	Hutchison 3G UK Ltd	071-075 and 077-079	15/12/2017
7310 7	Hutchison 3G UK Ltd	071-075 and 077-079	15/12/2017

Number Block	CP Name	Number Block Type	Allocation Date
7310 8	Hutchison 3G UK Ltd	071-075 and 077-079	15/12/2017
7310 9	Hutchison 3G UK Ltd	071-075 and 077-079	15/12/2017
7311 0	Hutchison 3G UK Ltd	071-075 and 077-079	15/12/2017
7311 1	Hutchison 3G UK Ltd	071-075 and 077-079	15/12/2017
7311 2	Hutchison 3G UK Ltd	071-075 and 077-079	15/12/2017
7311 3	Hutchison 3G UK Ltd	071-075 and 077-079	15/12/2017
7311 4	Hutchison 3G UK Ltd	071-075 and 077-079	15/12/2017
7311 5	Hutchison 3G UK Ltd	071-075 and 077-079	15/12/2017
7311 6	Hutchison 3G UK Ltd	071-075 and 077-079	15/12/2017
7311 7	Hutchison 3G UK Ltd	071-075 and 077-079	15/12/2017
7311 8	Hutchison 3G UK Ltd	071-075 and 077-079	15/12/2017
7311 9	Hutchison 3G UK Ltd	071-075 and 077-079	15/12/2017
7312 0	Hutchison 3G UK Ltd	071-075 and 077-079	15/12/2017
7312 1	Hutchison 3G UK Ltd	071-075 and 077-079	15/12/2017
7312 2	Hutchison 3G UK Ltd	071-075 and 077-079	15/12/2017
7312 3	Hutchison 3G UK Ltd	071-075 and 077-079	15/12/2017
7312 4	Hutchison 3G UK Ltd	071-075 and 077-079	15/12/2017
7312 5	Hutchison 3G UK Ltd	071-075 and 077-079	15/12/2017
7312 6	Hutchison 3G UK Ltd	071-075 and 077-079	15/12/2017
7312 7	Hutchison 3G UK Ltd	071-075 and 077-079	15/12/2017
7312 8	Hutchison 3G UK Ltd	071-075 and 077-079	15/12/2017
7312 9	Hutchison 3G UK Ltd	071-075 and 077-079	15/12/2017
7340 0	Vodafone Limited	071-075 and 077-079	20/11/2014
7340 1	Vodafone Limited	071-075 and 077-079	20/11/2014
7340 2	Vodafone Limited	071-075 and 077-079	20/11/2014
7340 3	Vodafone Limited	071-075 and 077-079	20/11/2014
7340 4	Vodafone Limited	071-075 and 077-079	20/11/2014
7340 5	Vodafone Limited	071-075 and 077-079	20/11/2014
7340 6	Vodafone Limited	071-075 and 077-079	20/11/2014
7340 7	Vodafone Limited	071-075 and 077-079	20/11/2014
7340 8	Vodafone Limited	071-075 and 077-079	20/11/2014
7340 9	Vodafone Limited	071-075 and 077-079	20/11/2014
7341 0	Vodafone Limited	071-075 and 077-079	20/11/2014
7341 1	Vodafone Limited	071-075 and 077-079	20/11/2014
7341 2	Vodafone Limited	071-075 and 077-079	20/11/2014
7341 3	Vodafone Limited	071-075 and 077-079	20/11/2014
7341 4	Vodafone Limited	071-075 and 077-079	20/11/2014
7341 5	Vodafone Limited	071-075 and 077-079	20/11/2014
7341 6	Vodafone Limited	071-075 and 077-079	20/11/2014
7341 7	Vodafone Limited	071-075 and 077-079	20/11/2014
7341 8	Vodafone Limited	071-075 and 077-079	20/11/2014
7341 9	Vodafone Limited	071-075 and 077-079	20/11/2014
7342 0	Vodafone Limited	071-075 and 077-079	20/11/2014
7342 1	Vodafone Limited	071-075 and 077-079	20/11/2014
7342 2	Vodafone Limited	071-075 and 077-079	20/11/2014
7342 3	Vodafone Limited	071-075 and 077-079	20/11/2014
7342 4	Vodafone Limited	071-075 and 077-079	20/11/2014
7342 5	Vodafone Limited	071-075 and 077-079	20/11/2014
7342 6	Vodafone Limited	071-075 and 077-079	20/11/2014

Number Block	CP Name	Number Block Type	Allocation Date
7342 7	Vodafone Limited	071-075 and 077-079	20/11/2014
7342 8	Vodafone Limited	071-075 and 077-079	20/11/2014
7342 9	Vodafone Limited	071-075 and 077-079	20/11/2014
7354 0	Telefonica UK Limited	071-075 and 077-079	11/06/2020
7354 1	Telefonica UK Limited	071-075 and 077-079	11/06/2020
7354 2	Telefonica UK Limited	071-075 and 077-079	11/06/2020
7354 3	Telefonica UK Limited	071-075 and 077-079	11/06/2020
7354 4	Telefonica UK Limited	071-075 and 077-079	11/06/2020
7354 5	Telefonica UK Limited	071-075 and 077-079	11/06/2020
7354 6	Telefonica UK Limited	071-075 and 077-079	11/06/2020
7354 7	Telefonica UK Limited	071-075 and 077-079	11/06/2020
7354 8	Telefonica UK Limited	071-075 and 077-079	11/06/2020
7354 9	Telefonica UK Limited	071-075 and 077-079	11/06/2020
7355 0	Telefonica UK Limited	071-075 and 077-079	11/06/2020
7355 1	Telefonica UK Limited	071-075 and 077-079	11/06/2020
7355 2	Telefonica UK Limited	071-075 and 077-079	11/06/2020
7355 3	Telefonica UK Limited	071-075 and 077-079	11/06/2020
7355 4	Telefonica UK Limited	071-075 and 077-079	11/06/2020
7355 5	Telefonica UK Limited	071-075 and 077-079	11/06/2020
7355 6	Telefonica UK Limited	071-075 and 077-079	11/06/2020
7355 7	Telefonica UK Limited	071-075 and 077-079	11/06/2020
7355 8	Telefonica UK Limited	071-075 and 077-079	11/06/2020
7355 9	Telefonica UK Limited	071-075 and 077-079	11/06/2020
7356 0	Mass Response Service GmbH	071-075 and 077-079	15/10/2021
7356 1	Gamma Telecom Holdings Ltd	071-075 and 077-079	14/12/2021
7357 0	Virgin Mobile Telecoms Limited	071-075 and 077-079	22/04/2021
7357 1	Virgin Mobile Telecoms Limited	071-075 and 077-079	22/04/2021
7357 2	Virgin Mobile Telecoms Limited	071-075 and 077-079	22/04/2021
7357 3	Virgin Mobile Telecoms Limited	071-075 and 077-079	22/04/2021
7357 4	Virgin Mobile Telecoms Limited	071-075 and 077-079	22/04/2021
7357 5	Virgin Mobile Telecoms Limited	071-075 and 077-079	22/04/2021
7357 6	Virgin Mobile Telecoms Limited	071-075 and 077-079	22/04/2021
7357 7	Virgin Mobile Telecoms Limited	071-075 and 077-079	22/04/2021
7357 8	Virgin Mobile Telecoms Limited	071-075 and 077-079	22/04/2021
7357 9	Virgin Mobile Telecoms Limited	071-075 and 077-079	22/04/2021
7358 0	Spitfire Network Services Limited	071-075 and 077-079	28/01/2022
7359 0	Sky UK Limited	071-075 and 077-079	08/01/2020
7359 1	Sky UK Limited	071-075 and 077-079	08/01/2020
7359 2	Sky UK Limited	071-075 and 077-079	08/01/2020
7359 3	Sky UK Limited	071-075 and 077-079	08/01/2020
7359 4	Sky UK Limited	071-075 and 077-079	20/05/2021
7359 5	Sky UK Limited	071-075 and 077-079	20/05/2021
7359 6	Sky UK Limited	071-075 and 077-079	20/05/2021
7359 7	Sky UK Limited	071-075 and 077-079	26/07/2022
7359 8	Sky UK Limited	071-075 and 077-079	26/07/2022
7359 9	Sky UK Limited	071-075 and 077-079	26/07/2022
7360 0	Hutchison 3G UK Ltd	071-075 and 077-079	06/01/2020
7360 1	Hutchison 3G UK Ltd	071-075 and 077-079	06/01/2020
7360 2	Hutchison 3G UK Ltd	071-075 and 077-079	06/01/2020

Number Block	CP Name	Number Block Type	Allocation Date
7360 3	Hutchison 3G UK Ltd	071-075 and 077-079	06/01/2020
7360 4	Hutchison 3G UK Ltd	071-075 and 077-079	06/01/2020
7360 5	Hutchison 3G UK Ltd	071-075 and 077-079	06/01/2020
7360 6	Hutchison 3G UK Ltd	071-075 and 077-079	06/01/2020
7360 7	Hutchison 3G UK Ltd	071-075 and 077-079	06/01/2020
7360 8	Hutchison 3G UK Ltd	071-075 and 077-079	06/01/2020
7360 9	Hutchison 3G UK Ltd	071-075 and 077-079	06/01/2020
7361 0	Hutchison 3G UK Ltd	071-075 and 077-079	06/01/2020
7361 1	Hutchison 3G UK Ltd	071-075 and 077-079	06/01/2020
7361 2	Hutchison 3G UK Ltd	071-075 and 077-079	06/01/2020
7361 3	Hutchison 3G UK Ltd	071-075 and 077-079	06/01/2020
7361 4	Hutchison 3G UK Ltd	071-075 and 077-079	06/01/2020
7361 5	Hutchison 3G UK Ltd	071-075 and 077-079	06/01/2020
7361 6	Hutchison 3G UK Ltd	071-075 and 077-079	06/01/2020
7361 7	Hutchison 3G UK Ltd	071-075 and 077-079	06/01/2020
7361 8	Hutchison 3G UK Ltd	071-075 and 077-079	06/01/2020
7361 9	Hutchison 3G UK Ltd	071-075 and 077-079	06/01/2020
7362 0	Hutchison 3G UK Ltd	071-075 and 077-079	06/01/2020
7362 1	Hutchison 3G UK Ltd	071-075 and 077-079	06/01/2020
7362 2	Hutchison 3G UK Ltd	071-075 and 077-079	06/01/2020
7362 3	Hutchison 3G UK Ltd	071-075 and 077-079	06/01/2020
7362 4	Hutchison 3G UK Ltd	071-075 and 077-079	06/01/2020
7362 5	Hutchison 3G UK Ltd	071-075 and 077-079	06/01/2020
7362 6	Hutchison 3G UK Ltd	071-075 and 077-079	06/01/2020
7362 7	Hutchison 3G UK Ltd	071-075 and 077-079	06/01/2020
7362 8	Hutchison 3G UK Ltd	071-075 and 077-079	06/01/2020
7362 9	Hutchison 3G UK Ltd	071-075 and 077-079	06/01/2020
7363 0	Hutchison 3G UK Ltd	071-075 and 077-079	06/01/2020
7363 1	Hutchison 3G UK Ltd	071-075 and 077-079	06/01/2020
7363 2	Hutchison 3G UK Ltd	071-075 and 077-079	06/01/2020
7363 3	Hutchison 3G UK Ltd	071-075 and 077-079	06/01/2020
7363 4	Hutchison 3G UK Ltd	071-075 and 077-079	06/01/2020
7363 5	Hutchison 3G UK Ltd	071-075 and 077-079	06/01/2020
7363 6	Hutchison 3G UK Ltd	071-075 and 077-079	06/01/2020
7363 7	Hutchison 3G UK Ltd	071-075 and 077-079	06/01/2020
7363 8	Hutchison 3G UK Ltd	071-075 and 077-079	06/01/2020
7363 9	Hutchison 3G UK Ltd	071-075 and 077-079	06/01/2020
7364 0	University Of Strathclyde	071-075 and 077-079	18/01/2019
7364 4	Pareteum Europe B.V.	071-075 and 077-079	03/12/2019
7365 0	Hutchison 3G UK Ltd	071-075 and 077-079	22/02/2017
7365 1	Hutchison 3G UK Ltd	071-075 and 077-079	22/02/2017
7365 2	Hutchison 3G UK Ltd	071-075 and 077-079	22/02/2017
7365 3	Hutchison 3G UK Ltd	071-075 and 077-079	22/02/2017
7365 4	Hutchison 3G UK Ltd	071-075 and 077-079	22/02/2017
7365 5	Hutchison 3G UK Ltd	071-075 and 077-079	22/02/2017
7365 6	Hutchison 3G UK Ltd	071-075 and 077-079	22/02/2017
7365 7	Hutchison 3G UK Ltd	071-075 and 077-079	22/02/2017
7365 8	Hutchison 3G UK Ltd	071-075 and 077-079	22/02/2017
7365 9	Hutchison 3G UK Ltd	071-075 and 077-079	22/02/2017

Number Block	CP Name	Number Block Type	Allocation Date
7366 0	Hutchison 3G UK Ltd	071-075 and 077-079	22/02/2017
7366 1	Hutchison 3G UK Ltd	071-075 and 077-079	22/02/2017
7366 2	Hutchison 3G UK Ltd	071-075 and 077-079	22/02/2017
7366 3	Hutchison 3G UK Ltd	071-075 and 077-079	22/02/2017
7366 4	Hutchison 3G UK Ltd	071-075 and 077-079	22/02/2017
7366 5	Hutchison 3G UK Ltd	071-075 and 077-079	22/02/2017
7366 6	Hutchison 3G UK Ltd	071-075 and 077-079	22/02/2017
7366 7	Hutchison 3G UK Ltd	071-075 and 077-079	22/02/2017
7366 8	Hutchison 3G UK Ltd	071-075 and 077-079	22/02/2017
7366 9	Hutchison 3G UK Ltd	071-075 and 077-079	22/02/2017
7367 0	Hutchison 3G UK Ltd	071-075 and 077-079	22/02/2017
7367 1	Hutchison 3G UK Ltd	071-075 and 077-079	22/02/2017
7367 2	Hutchison 3G UK Ltd	071-075 and 077-079	22/02/2017
7367 3	Hutchison 3G UK Ltd	071-075 and 077-079	22/02/2017
7367 4	Hutchison 3G UK Ltd	071-075 and 077-079	22/02/2017
7367 5	Hutchison 3G UK Ltd	071-075 and 077-079	22/02/2017
7367 6	Hutchison 3G UK Ltd	071-075 and 077-079	22/02/2017
7367 7	Hutchison 3G UK Ltd	071-075 and 077-079	22/02/2017
7367 8	Hutchison 3G UK Ltd	071-075 and 077-079	22/02/2017
7367 9	Hutchison 3G UK Ltd	071-075 and 077-079	22/02/2017
7368 0	Tata Communications (UK) Ltd	071-075 and 077-079	01/07/2020
7368 1	Sky UK Limited	071-075 and 077-079	30/01/2019
7368 2	Sky UK Limited	071-075 and 077-079	07/04/2017
7368 3	Sky UK Limited	071-075 and 077-079	07/04/2017
7368 4	Sky UK Limited	071-075 and 077-079	06/10/2017
7368 5	Sky UK Limited	071-075 and 077-079	06/10/2017
7368 6	Sky UK Limited	071-075 and 077-079	06/10/2017
7368 7	Vodafone Limited	071-075 and 077-079	17/11/2017
7368 8	Sky UK Limited	071-075 and 077-079	30/01/2019
7368 9	Sky UK Limited	071-075 and 077-079	30/01/2019
7369 0	Telet Research (N.I.) Limited	071-075 and 077-079	30/03/2021
7369 2	Sky UK Limited	071-075 and 077-079	23/09/2019
7369 9	Anywhere Sim Limited	071-075 and 077-079	28/06/2017
7375 0	EE Limited (TM)	071-075 and 077-079	26/10/2015
7375 1	EE Limited (TM)	071-075 and 077-079	26/10/2015
7375 2	EE Limited (TM)	071-075 and 077-079	26/10/2015
7375 3	EE Limited (TM)	071-075 and 077-079	26/10/2015
7375 4	EE Limited (TM)	071-075 and 077-079	26/10/2015
7375 5	EE Limited (TM)	071-075 and 077-079	26/10/2015
7375 6	EE Limited (TM)	071-075 and 077-079	26/10/2015
7375 7	EE Limited (TM)	071-075 and 077-079	26/10/2015
7375 8	EE Limited (TM)	071-075 and 077-079	26/10/2015
7375 9	EE Limited (TM)	071-075 and 077-079	26/10/2015
7376 0	EE Limited (TM)	071-075 and 077-079	26/10/2015
7376 1	EE Limited (TM)	071-075 and 077-079	26/10/2015
7376 2	EE Limited (TM)	071-075 and 077-079	26/10/2015
7376 3	EE Limited (TM)	071-075 and 077-079	26/10/2015
7376 4	EE Limited (TM)	071-075 and 077-079	26/10/2015
7376 5	EE Limited (TM)	071-075 and 077-079	26/10/2015

Number Block	CP Name	Number Block Type	Allocation Date
7376 6	EE Limited (TM)	071-075 and 077-079	26/10/2015
7376 7	EE Limited (TM)	071-075 and 077-079	26/10/2015
7376 8	EE Limited (TM)	071-075 and 077-079	26/10/2015
7376 9	EE Limited (TM)	071-075 and 077-079	26/10/2015
7377 0	EE Limited (TM)	071-075 and 077-079	26/10/2015
7377 1	EE Limited (TM)	071-075 and 077-079	26/10/2015
7377 2	EE Limited (TM)	071-075 and 077-079	26/10/2015
7377 3	EE Limited (TM)	071-075 and 077-079	26/10/2015
7377 4	EE Limited (TM)	071-075 and 077-079	26/10/2015
7377 5	EE Limited (TM)	071-075 and 077-079	26/10/2015
7377 6	EE Limited (TM)	071-075 and 077-079	26/10/2015
7377 7	EE Limited (TM)	071-075 and 077-079	26/10/2015
7377 8	EE Limited (TM)	071-075 and 077-079	26/10/2015
7377 9	EE Limited (TM)	071-075 and 077-079	26/10/2015
7378 1	Hutchison 3G UK Ltd	071-075 and 077-079	20/06/2016
7378 2	Hutchison 3G UK Ltd	071-075 and 077-079	20/06/2016
7378 3	Hutchison 3G UK Ltd	071-075 and 077-079	20/06/2016
7378 4	Hutchison 3G UK Ltd	071-075 and 077-079	20/06/2016
7378 5	Hutchison 3G UK Ltd	071-075 and 077-079	20/06/2016
7378 6	Hutchison 3G UK Ltd	071-075 and 077-079	20/06/2016
7378 7	Hutchison 3G UK Ltd	071-075 and 077-079	20/06/2016
7378 8	Hutchison 3G UK Ltd	071-075 and 077-079	20/06/2016
7378 9	Hutchison 3G UK Ltd	071-075 and 077-079	20/06/2016
7379 0	Vodafone Limited	071-075 and 077-079	11/02/2016
7379 1	Vodafone Limited	071-075 and 077-079	11/02/2016
7379 2	Vodafone Limited	071-075 and 077-079	11/02/2016
7379 3	Vodafone Limited	071-075 and 077-079	11/02/2016
7379 4	Vodafone Limited	071-075 and 077-079	11/02/2016
7379 5	Vodafone Limited	071-075 and 077-079	11/02/2016
7379 6	Vodafone Limited	071-075 and 077-079	11/02/2016
7379 7	Vodafone Limited	071-075 and 077-079	11/02/2016
7379 8	Vodafone Limited	071-075 and 077-079	11/02/2016
7379 9	Vodafone Limited	071-075 and 077-079	11/02/2016
7380 1	Hutchison 3G UK Ltd	071-075 and 077-079	20/06/2016
7380 2	Hutchison 3G UK Ltd	071-075 and 077-079	20/06/2016
7380 3	Hutchison 3G UK Ltd	071-075 and 077-079	20/06/2016
7380 4	Hutchison 3G UK Ltd	071-075 and 077-079	20/06/2016
7380 5	Hutchison 3G UK Ltd	071-075 and 077-079	20/06/2016
7380 6	Hutchison 3G UK Ltd	071-075 and 077-079	20/06/2016
7380 7	Hutchison 3G UK Ltd	071-075 and 077-079	20/06/2016
7380 8	Hutchison 3G UK Ltd	071-075 and 077-079	20/06/2016
7380 9	Hutchison 3G UK Ltd	071-075 and 077-079	20/06/2016
7381 0	Telefonica UK Limited	071-075 and 077-079	08/01/2016
7381 1	Telefonica UK Limited	071-075 and 077-079	08/01/2016
7381 2	Telefonica UK Limited	071-075 and 077-079	08/01/2016
7381 3	Telefonica UK Limited	071-075 and 077-079	08/01/2016
7381 4	Telefonica UK Limited	071-075 and 077-079	08/01/2016
7381 5	Telefonica UK Limited	071-075 and 077-079	08/01/2016
7381 6	Telefonica UK Limited	071-075 and 077-079	08/01/2016

Number Block	CP Name	Number Block Type	Allocation Date
7381 7	Telefonica UK Limited	071-075 and 077-079	08/01/2016
7381 8	Telefonica UK Limited	071-075 and 077-079	08/01/2016
7381 9	Telefonica UK Limited	071-075 and 077-079	08/01/2016
7382 0	Telefonica UK Limited	071-075 and 077-079	08/01/2016
7382 1	Telefonica UK Limited	071-075 and 077-079	08/01/2016
7382 2	Telefonica UK Limited	071-075 and 077-079	08/01/2016
7382 3	Telefonica UK Limited	071-075 and 077-079	08/01/2016
7382 4	Telefonica UK Limited	071-075 and 077-079	08/01/2016
7382 5	Telefonica UK Limited	071-075 and 077-079	08/01/2016
7382 6	Telefonica UK Limited	071-075 and 077-079	08/01/2016
7382 7	Telefonica UK Limited	071-075 and 077-079	08/01/2016
7382 8	Telefonica UK Limited	071-075 and 077-079	08/01/2016
7382 9	Telefonica UK Limited	071-075 and 077-079	08/01/2016
7383 0	Hutchison 3G UK Ltd	071-075 and 077-079	14/02/2017
7383 1	Hutchison 3G UK Ltd	071-075 and 077-079	14/02/2017
7383 2	Hutchison 3G UK Ltd	071-075 and 077-079	14/02/2017
7383 3	Hutchison 3G UK Ltd	071-075 and 077-079	14/02/2017
7383 4	Hutchison 3G UK Ltd	071-075 and 077-079	14/02/2017
7383 5	Hutchison 3G UK Ltd	071-075 and 077-079	14/02/2017
7383 6	Hutchison 3G UK Ltd	071-075 and 077-079	14/02/2017
7383 7	Hutchison 3G UK Ltd	071-075 and 077-079	14/02/2017
7383 8	Hutchison 3G UK Ltd	071-075 and 077-079	14/02/2017
7383 9	Hutchison 3G UK Ltd	071-075 and 077-079	14/02/2017
7384 0	Vodafone Limited	071-075 and 077-079	08/11/2016
7384 1	Vodafone Limited	071-075 and 077-079	08/11/2016
7384 2	Vodafone Limited	071-075 and 077-079	08/11/2016
7384 3	Vodafone Limited	071-075 and 077-079	08/11/2016
7384 4	Vodafone Limited	071-075 and 077-079	08/11/2016
7384 5	Vodafone Limited	071-075 and 077-079	08/11/2016
7384 6	Vodafone Limited	071-075 and 077-079	08/11/2016
7384 7	Vodafone Limited	071-075 and 077-079	08/11/2016
7384 8	Vodafone Limited	071-075 and 077-079	08/11/2016
7384 9	Vodafone Limited	071-075 and 077-079	08/11/2016
7385 0	Vodafone Limited	071-075 and 077-079	08/11/2016
7385 1	Vodafone Limited	071-075 and 077-079	08/11/2016
7385 2	Vodafone Limited	071-075 and 077-079	08/11/2016
7385 3	Vodafone Limited	071-075 and 077-079	08/11/2016
7385 4	Vodafone Limited	071-075 and 077-079	08/11/2016
7385 5	Vodafone Limited	071-075 and 077-079	08/11/2016
7385 6	Vodafone Limited	071-075 and 077-079	08/11/2016
7385 7	Vodafone Limited	071-075 and 077-079	08/11/2016
7385 8	Vodafone Limited	071-075 and 077-079	08/11/2016
7385 9	Vodafone Limited	071-075 and 077-079	08/11/2016
7386 0	Vodafone Limited	071-075 and 077-079	08/11/2016
7386 1	Vodafone Limited	071-075 and 077-079	08/11/2016
7386 2	Vodafone Limited	071-075 and 077-079	08/11/2016
7386 3	Vodafone Limited	071-075 and 077-079	08/11/2016
7386 4	Vodafone Limited	071-075 and 077-079	08/11/2016
7386 5	Vodafone Limited	071-075 and 077-079	08/11/2016

Number Block	CP Name	Number Block Type	Allocation Date
7386 6	Vodafone Limited	071-075 and 077-079	08/11/2016
7386 7	Vodafone Limited	071-075 and 077-079	08/11/2016
7386 8	Vodafone Limited	071-075 and 077-079	08/11/2016
7386 9	Vodafone Limited	071-075 and 077-079	08/11/2016
7387 0	Vodafone Limited	071-075 and 077-079	11/02/2016
7387 1	Vodafone Limited	071-075 and 077-079	11/02/2016
7387 2	Vodafone Limited	071-075 and 077-079	11/02/2016
7387 3	Vodafone Limited	071-075 and 077-079	11/02/2016
7387 4	Vodafone Limited	071-075 and 077-079	11/02/2016
7387 5	Vodafone Limited	071-075 and 077-079	11/02/2016
7387 6	Vodafone Limited	071-075 and 077-079	11/02/2016
7387 7	Vodafone Limited	071-075 and 077-079	11/02/2016
7387 8	Vodafone Limited	071-075 and 077-079	11/02/2016
7387 9	Vodafone Limited	071-075 and 077-079	11/02/2016
7388 0	Vodafone Limited	071-075 and 077-079	11/02/2016
7388 1	Vodafone Limited	071-075 and 077-079	11/02/2016
7388 2	Vodafone Limited	071-075 and 077-079	11/02/2016
7388 3	Vodafone Limited	071-075 and 077-079	11/02/2016
7388 4	Vodafone Limited	071-075 and 077-079	11/02/2016
7388 5	Vodafone Limited	071-075 and 077-079	11/02/2016
7388 6	Vodafone Limited	071-075 and 077-079	11/02/2016
7388 7	Vodafone Limited	071-075 and 077-079	11/02/2016
7388 8	Vodafone Limited	071-075 and 077-079	11/02/2016
7388 9	Vodafone Limited	071-075 and 077-079	11/02/2016
7389 0	Hutchison 3G UK Ltd	071-075 and 077-079	20/06/2016
7389 1	Hutchison 3G UK Ltd	071-075 and 077-079	20/06/2016
7389 6	Hanhaa Limited	071-075 and 077-079	16/01/2017
7389 7	Vodafone Limited	071-075 and 077-079	08/11/2016
7389 8	Vodafone Limited	071-075 and 077-079	08/11/2016
7390 0	Home Office	071-075 and 077-079	11/04/2016
7391 0	Vodafone Limited	071-075 and 077-079	06/10/2015
7391 1	Vodafone Limited	071-075 and 077-079	06/10/2015
7391 2	Vodafone Limited	071-075 and 077-079	06/10/2015
7391 3	Vodafone Limited	071-075 and 077-079	06/10/2015
7391 4	Vodafone Limited	071-075 and 077-079	06/10/2015
7391 5	Vodafone Limited	071-075 and 077-079	06/10/2015
7391 6	Vodafone Limited	071-075 and 077-079	06/10/2015
7391 7	Vodafone Limited	071-075 and 077-079	06/10/2015
7391 8	Vodafone Limited	071-075 and 077-079	06/10/2015
7391 9	Vodafone Limited	071-075 and 077-079	06/10/2015
7392 0	Vodafone Limited	071-075 and 077-079	06/10/2015
7392 1	Vodafone Limited	071-075 and 077-079	06/10/2015
7392 2	Vodafone Limited	071-075 and 077-079	06/10/2015
7392 3	Vodafone Limited	071-075 and 077-079	06/10/2015
7392 4	Vodafone Limited	071-075 and 077-079	06/10/2015
7392 5	Vodafone Limited	071-075 and 077-079	06/10/2015
7392 6	Vodafone Limited	071-075 and 077-079	06/10/2015
7392 7	Vodafone Limited	071-075 and 077-079	06/10/2015
7392 8	Vodafone Limited	071-075 and 077-079	06/10/2015

Number Block	CP Name	Number Block Type	Allocation Date
7392 9	Vodafone Limited	071-075 and 077-079	06/10/2015
7393 0	Vodafone Limited	071-075 and 077-079	06/10/2015
7393 1	Vodafone Limited	071-075 and 077-079	06/10/2015
7393 2	Vodafone Limited	071-075 and 077-079	06/10/2015
7393 3	Vodafone Limited	071-075 and 077-079	06/10/2015
7393 4	Vodafone Limited	071-075 and 077-079	06/10/2015
7393 5	Vodafone Limited	071-075 and 077-079	06/10/2015
7393 6	Vodafone Limited	071-075 and 077-079	06/10/2015
7393 7	Vodafone Limited	071-075 and 077-079	06/10/2015
7393 8	Vodafone Limited	071-075 and 077-079	06/10/2015
7393 9	Vodafone Limited	071-075 and 077-079	06/10/2015
7394 0	Telefonica UK Limited	071-075 and 077-079	21/10/2015
7394 1	Telefonica UK Limited	071-075 and 077-079	21/10/2015
7394 2	Telefonica UK Limited	071-075 and 077-079	21/10/2015
7394 3	Telefonica UK Limited	071-075 and 077-079	21/10/2015
7394 4	Telefonica UK Limited	071-075 and 077-079	21/10/2015
7394 5	Telefonica UK Limited	071-075 and 077-079	21/10/2015
7394 6	Telefonica UK Limited	071-075 and 077-079	21/10/2015
7394 7	Telefonica UK Limited	071-075 and 077-079	21/10/2015
7394 8	Telefonica UK Limited	071-075 and 077-079	21/10/2015
7394 9	Telefonica UK Limited	071-075 and 077-079	21/10/2015
7395 0	Telefonica UK Limited	071-075 and 077-079	21/10/2015
7395 1	Telefonica UK Limited	071-075 and 077-079	21/10/2015
7395 2	Telefonica UK Limited	071-075 and 077-079	21/10/2015
7395 3	Telefonica UK Limited	071-075 and 077-079	21/10/2015
7395 4	Telefonica UK Limited	071-075 and 077-079	21/10/2015
7395 5	Telefonica UK Limited	071-075 and 077-079	21/10/2015
7395 6	Telefonica UK Limited	071-075 and 077-079	21/10/2015
7395 7	Telefonica UK Limited	071-075 and 077-079	21/10/2015
7395 8	Telefonica UK Limited	071-075 and 077-079	21/10/2015
7395 9	Telefonica UK Limited	071-075 and 077-079	21/10/2015
7396 0	EE Limited (TM)	071-075 and 077-079	23/10/2015
7396 1	EE Limited (TM)	071-075 and 077-079	23/10/2015
7396 2	EE Limited (TM)	071-075 and 077-079	23/10/2015
7396 3	EE Limited (TM)	071-075 and 077-079	23/10/2015
7396 4	EE Limited (TM)	071-075 and 077-079	23/10/2015
7396 5	EE Limited (TM)	071-075 and 077-079	23/10/2015
7396 6	EE Limited (TM)	071-075 and 077-079	23/10/2015
7396 7	EE Limited (TM)	071-075 and 077-079	23/10/2015
7396 8	EE Limited (TM)	071-075 and 077-079	23/10/2015
7396 9	EE Limited (TM)	071-075 and 077-079	23/10/2015
7397 0	Hutchison 3G UK Ltd	071-075 and 077-079	05/08/2015
7397 1	Hutchison 3G UK Ltd	071-075 and 077-079	05/08/2015
7397 2	Hutchison 3G UK Ltd	071-075 and 077-079	05/08/2015
7397 3	Hutchison 3G UK Ltd	071-075 and 077-079	05/08/2015
7397 5	Hutchison 3G UK Ltd	071-075 and 077-079	05/08/2015
7397 6	Hutchison 3G UK Ltd	071-075 and 077-079	05/08/2015
7397 7	Hutchison 3G UK Ltd	071-075 and 077-079	05/08/2015
7397 8	Hutchison 3G UK Ltd	071-075 and 077-079	05/08/2015

Number Block	CP Name	Number Block Type	Allocation Date
7397 9	Hutchison 3G UK Ltd	071-075 and 077-079	05/08/2015
7398 0	EE Limited (TM)	071-075 and 077-079	14/04/2015
7398 1	EE Limited (TM)	071-075 and 077-079	14/04/2015
7398 2	EE Limited (TM)	071-075 and 077-079	14/04/2015
7398 3	EE Limited (TM)	071-075 and 077-079	14/04/2015
7398 4	EE Limited (TM)	071-075 and 077-079	14/04/2015
7398 5	EE Limited (TM)	071-075 and 077-079	14/04/2015
7398 6	EE Limited (TM)	071-075 and 077-079	14/04/2015
7398 7	EE Limited (TM)	071-075 and 077-079	14/04/2015
7398 8	EE Limited (TM)	071-075 and 077-079	14/04/2015
7398 9	EE Limited (TM)	071-075 and 077-079	14/04/2015
7399 0	EE Limited (TM)	071-075 and 077-079	14/04/2015
7399 1	EE Limited (TM)	071-075 and 077-079	14/04/2015
7399 2	EE Limited (TM)	071-075 and 077-079	14/04/2015
7399 3	EE Limited (TM)	071-075 and 077-079	14/04/2015
7399 4	EE Limited (TM)	071-075 and 077-079	14/04/2015
7399 5	EE Limited (TM)	071-075 and 077-079	14/04/2015
7399 6	EE Limited (TM)	071-075 and 077-079	14/04/2015
7399 7	EE Limited (TM)	071-075 and 077-079	14/04/2015
7399 8	EE Limited (TM)	071-075 and 077-079	14/04/2015
7399 9	EE Limited (TM)	071-075 and 077-079	14/04/2015
7400 0	Hutchison 3G UK Ltd	071-075 and 077-079	22/07/2009
7400 1	Hutchison 3G UK Ltd	071-075 and 077-079	22/07/2009
7400 2	Hutchison 3G UK Ltd	071-075 and 077-079	22/07/2009
7400 3	Hutchison 3G UK Ltd	071-075 and 077-079	22/07/2009
7400 4	Hutchison 3G UK Ltd	071-075 and 077-079	22/07/2009
7400 5	Hutchison 3G UK Ltd	071-075 and 077-079	22/07/2009
7400 6	Hutchison 3G UK Ltd	071-075 and 077-079	22/07/2009
7400 7	Hutchison 3G UK Ltd	071-075 and 077-079	22/07/2009
7400 8	Hutchison 3G UK Ltd	071-075 and 077-079	22/07/2009
7400 9	Hutchison 3G UK Ltd	071-075 and 077-079	22/07/2009
7401 0	Hutchison 3G UK Ltd	071-075 and 077-079	22/07/2009
7401 1	Hutchison 3G UK Ltd	071-075 and 077-079	22/07/2009
7401 2	Hutchison 3G UK Ltd	071-075 and 077-079	22/07/2009
7401 3	Hutchison 3G UK Ltd	071-075 and 077-079	22/07/2009
7401 4	Hutchison 3G UK Ltd	071-075 and 077-079	22/07/2009
7401 5	Hutchison 3G UK Ltd	071-075 and 077-079	22/07/2009
7401 6	Hutchison 3G UK Ltd	071-075 and 077-079	22/07/2009
7401 7	Hutchison 3G UK Ltd	071-075 and 077-079	22/07/2009
7401 8	Hutchison 3G UK Ltd	071-075 and 077-079	22/07/2009
7401 9	Hutchison 3G UK Ltd	071-075 and 077-079	22/07/2009
7402 0	Hutchison 3G UK Ltd	071-075 and 077-079	22/07/2009
7402 1	Hutchison 3G UK Ltd	071-075 and 077-079	22/07/2009
7402 2	Hutchison 3G UK Ltd	071-075 and 077-079	22/07/2009
7402 3	Hutchison 3G UK Ltd	071-075 and 077-079	22/07/2009
7402 4	Hutchison 3G UK Ltd	071-075 and 077-079	22/07/2009
7402 5	Hutchison 3G UK Ltd	071-075 and 077-079	22/07/2009
7402 6	Hutchison 3G UK Ltd	071-075 and 077-079	22/07/2009
7402 7	Hutchison 3G UK Ltd	071-075 and 077-079	22/07/2009

Number Block	CP Name	Number Block Type	Allocation Date
7402 8	Hutchison 3G UK Ltd	071-075 and 077-079	22/07/2009
7402 9	Hutchison 3G UK Ltd	071-075 and 077-079	22/07/2009
7403 0	Hutchison 3G UK Ltd	071-075 and 077-079	22/07/2009
7403 1	Hutchison 3G UK Ltd	071-075 and 077-079	22/07/2009
7403 2	Hutchison 3G UK Ltd	071-075 and 077-079	22/07/2009
7403 3	Hutchison 3G UK Ltd	071-075 and 077-079	22/07/2009
7403 4	Hutchison 3G UK Ltd	071-075 and 077-079	22/07/2009
7403 5	Hutchison 3G UK Ltd	071-075 and 077-079	22/07/2009
7403 6	Hutchison 3G UK Ltd	071-075 and 077-079	22/07/2009
7403 7	Hutchison 3G UK Ltd	071-075 and 077-079	22/07/2009
7403 8	Hutchison 3G UK Ltd	071-075 and 077-079	22/07/2009
7403 9	Hutchison 3G UK Ltd	071-075 and 077-079	22/07/2009
7404 0	Lycamobile UK Limited	071-075 and 077-079	10/08/2009
7404 1	Lycamobile UK Limited	071-075 and 077-079	10/08/2009
7404 2	Lycamobile UK Limited	071-075 and 077-079	10/08/2009
7404 3	Lycamobile UK Limited	071-075 and 077-079	10/08/2009
7404 4	Lycamobile UK Limited	071-075 and 077-079	10/08/2009
7404 5	Lycamobile UK Limited	071-075 and 077-079	10/08/2009
7404 6	Lycamobile UK Limited	071-075 and 077-079	10/08/2009
7404 7	Lycamobile UK Limited	071-075 and 077-079	10/08/2009
7404 8	Lycamobile UK Limited	071-075 and 077-079	10/08/2009
7404 9	Lycamobile UK Limited	071-075 and 077-079	10/08/2009
7405 0	Lycamobile UK Limited	071-075 and 077-079	10/08/2009
7405 1	Lycamobile UK Limited	071-075 and 077-079	10/08/2009
7405 2	Lycamobile UK Limited	071-075 and 077-079	10/08/2009
7405 3	Lycamobile UK Limited	071-075 and 077-079	10/08/2009
7405 4	Lycamobile UK Limited	071-075 and 077-079	10/08/2009
7405 5	Lycamobile UK Limited	071-075 and 077-079	10/08/2009
7405 6	Lycamobile UK Limited	071-075 and 077-079	10/08/2009
7405 7	Lycamobile UK Limited	071-075 and 077-079	10/08/2009
7405 8	Lycamobile UK Limited	071-075 and 077-079	10/08/2009
7405 9	Lycamobile UK Limited	071-075 and 077-079	10/08/2009
7406 5	Telecom2 Limited	071-075 and 077-079	07/05/2010
7406 6	24 Seven Communications Ltd	071-075 and 077-079	17/12/2009
7406 7	TGL Services (UK) Ltd	071-075 and 077-079	02/02/2015
7406 8	08Direct Limited	071-075 and 077-079	18/06/2010
7407 0	Vodafone Limited	071-075 and 077-079	05/11/2009
7407 1	Vodafone Limited	071-075 and 077-079	05/11/2009
7407 2	Vodafone Limited	071-075 and 077-079	05/11/2009
7407 3	Vodafone Limited	071-075 and 077-079	05/11/2009
7407 4	Vodafone Limited	071-075 and 077-079	05/11/2009
7407 5	Vodafone Limited	071-075 and 077-079	05/11/2009
7407 6	Vodafone Limited	071-075 and 077-079	05/11/2009
7407 7	Vodafone Limited	071-075 and 077-079	05/11/2009
7407 8	Vodafone Limited	071-075 and 077-079	05/11/2009
7407 9	Vodafone Limited	071-075 and 077-079	05/11/2009
7408 0	Truphone Ltd	071-075 and 077-079	09/02/2010
7408 1	Truphone Ltd	071-075 and 077-079	24/05/2010
7408 2	Truphone Ltd	071-075 and 077-079	24/05/2010

Number Block	CP Name	Number Block Type	Allocation Date
7408 6	Truphone Ltd	071-075 and 077-079	20/07/2022
7408 8	Truphone Ltd	071-075 and 077-079	19/10/2009
7408 9	Truphone Ltd	071-075 and 077-079	09/02/2010
7409 0	EE Limited (Orange)	071-075 and 077-079	25/11/2009
7409 1	EE Limited (Orange)	071-075 and 077-079	25/11/2009
7409 2	EE Limited (Orange)	071-075 and 077-079	25/11/2009
7409 3	EE Limited (Orange)	071-075 and 077-079	25/11/2009
7409 4	EE Limited (Orange)	071-075 and 077-079	25/11/2009
7409 5	EE Limited (Orange)	071-075 and 077-079	25/11/2009
7409 6	EE Limited (Orange)	071-075 and 077-079	25/11/2009
7409 7	EE Limited (Orange)	071-075 and 077-079	25/11/2009
7409 8	EE Limited (Orange)	071-075 and 077-079	25/11/2009
7409 9	EE Limited (Orange)	071-075 and 077-079	25/11/2009
7410 0	EE Limited (Orange)	071-075 and 077-079	25/11/2009
7410 1	EE Limited (Orange)	071-075 and 077-079	25/11/2009
7410 2	EE Limited (Orange)	071-075 and 077-079	25/11/2009
7410 3	EE Limited (Orange)	071-075 and 077-079	25/11/2009
7410 4	EE Limited (Orange)	071-075 and 077-079	25/11/2009
7410 5	EE Limited (Orange)	071-075 and 077-079	25/11/2009
7410 6	EE Limited (Orange)	071-075 and 077-079	25/11/2009
7410 7	EE Limited (Orange)	071-075 and 077-079	25/11/2009
7410 8	EE Limited (Orange)	071-075 and 077-079	25/11/2009
7410 9	EE Limited (Orange)	071-075 and 077-079	25/11/2009
7411 0	Hutchison 3G UK Ltd	071-075 and 077-079	10/12/2009
7411 1	Hutchison 3G UK Ltd	071-075 and 077-079	10/12/2009
7411 2	Hutchison 3G UK Ltd	071-075 and 077-079	10/12/2009
7411 3	Hutchison 3G UK Ltd	071-075 and 077-079	10/12/2009
7411 4	Hutchison 3G UK Ltd	071-075 and 077-079	10/12/2009
7411 5	Hutchison 3G UK Ltd	071-075 and 077-079	10/12/2009
7411 6	Hutchison 3G UK Ltd	071-075 and 077-079	10/12/2009
7411 7	Hutchison 3G UK Ltd	071-075 and 077-079	10/12/2009
7411 8	Hutchison 3G UK Ltd	071-075 and 077-079	10/12/2009
7411 9	Hutchison 3G UK Ltd	071-075 and 077-079	10/12/2009
7412 0	Hutchison 3G UK Ltd	071-075 and 077-079	10/12/2009
7412 1	Hutchison 3G UK Ltd	071-075 and 077-079	10/12/2009
7412 2	Hutchison 3G UK Ltd	071-075 and 077-079	10/12/2009
7412 3	Hutchison 3G UK Ltd	071-075 and 077-079	10/12/2009
7412 4	Hutchison 3G UK Ltd	071-075 and 077-079	10/12/2009
7412 5	Hutchison 3G UK Ltd	071-075 and 077-079	10/12/2009
7412 6	Hutchison 3G UK Ltd	071-075 and 077-079	10/12/2009
7412 7	Hutchison 3G UK Ltd	071-075 and 077-079	10/12/2009
7412 8	Hutchison 3G UK Ltd	071-075 and 077-079	10/12/2009
7412 9	Hutchison 3G UK Ltd	071-075 and 077-079	10/12/2009
7413 0	Hutchison 3G UK Ltd	071-075 and 077-079	10/12/2009
7413 1	Hutchison 3G UK Ltd	071-075 and 077-079	10/12/2009
7413 2	Hutchison 3G UK Ltd	071-075 and 077-079	10/12/2009
7413 3	Hutchison 3G UK Ltd	071-075 and 077-079	10/12/2009
7413 4	Hutchison 3G UK Ltd	071-075 and 077-079	10/12/2009
7413 5	Hutchison 3G UK Ltd	071-075 and 077-079	10/12/2009

Number Block	CP Name	Number Block Type	Allocation Date
7413 6	Hutchison 3G UK Ltd	071-075 and 077-079	10/12/2009
7413 7	Hutchison 3G UK Ltd	071-075 and 077-079	10/12/2009
7413 8	Hutchison 3G UK Ltd	071-075 and 077-079	10/12/2009
7413 9	Hutchison 3G UK Ltd	071-075 and 077-079	10/12/2009
7414 0	Hutchison 3G UK Ltd	071-075 and 077-079	10/12/2009
7414 1	Hutchison 3G UK Ltd	071-075 and 077-079	10/12/2009
7414 2	Hutchison 3G UK Ltd	071-075 and 077-079	10/12/2009
7414 3	Hutchison 3G UK Ltd	071-075 and 077-079	10/12/2009
7414 4	Hutchison 3G UK Ltd	071-075 and 077-079	10/12/2009
7414 5	Hutchison 3G UK Ltd	071-075 and 077-079	10/12/2009
7414 6	Hutchison 3G UK Ltd	071-075 and 077-079	10/12/2009
7414 7	Hutchison 3G UK Ltd	071-075 and 077-079	10/12/2009
7414 8	Hutchison 3G UK Ltd	071-075 and 077-079	10/12/2009
7414 9	Hutchison 3G UK Ltd	071-075 and 077-079	10/12/2009
7415 0	EE Limited (TM)	071-075 and 077-079	05/01/2010
7415 1	EE Limited (TM)	071-075 and 077-079	05/01/2010
7415 2	EE Limited (TM)	071-075 and 077-079	05/01/2010
7415 3	EE Limited (TM)	071-075 and 077-079	05/01/2010
7415 4	EE Limited (TM)	071-075 and 077-079	05/01/2010
7415 5	EE Limited (TM)	071-075 and 077-079	05/01/2010
7415 6	EE Limited (TM)	071-075 and 077-079	05/01/2010
7415 7	EE Limited (TM)	071-075 and 077-079	05/01/2010
7415 8	EE Limited (TM)	071-075 and 077-079	05/01/2010
7415 9	EE Limited (TM)	071-075 and 077-079	05/01/2010
7416 0	EE Limited (Orange)	071-075 and 077-079	24/02/2010
7416 1	EE Limited (Orange)	071-075 and 077-079	24/02/2010
7416 2	EE Limited (Orange)	071-075 and 077-079	24/02/2010
7416 3	EE Limited (Orange)	071-075 and 077-079	24/02/2010
7416 4	EE Limited (Orange)	071-075 and 077-079	24/02/2010
7416 5	EE Limited (Orange)	071-075 and 077-079	24/02/2010
7416 6	EE Limited (Orange)	071-075 and 077-079	24/02/2010
7416 7	EE Limited (Orange)	071-075 and 077-079	24/02/2010
7416 8	EE Limited (Orange)	071-075 and 077-079	24/02/2010
7416 9	EE Limited (Orange)	071-075 and 077-079	24/02/2010
7417 2	Core Telecom Limited	071-075 and 077-079	09/03/2016
7417 3	Lycamobile UK Limited	071-075 and 077-079	03/09/2010
7417 4	Lycamobile UK Limited	071-075 and 077-079	03/09/2010
7417 5	Lycamobile UK Limited	071-075 and 077-079	03/09/2010
7417 8	Truphone Ltd	071-075 and 077-079	24/05/2010
7417 9	Core Telecom Limited	071-075 and 077-079	30/04/2014
7418 0	Hutchison 3G UK Ltd	071-075 and 077-079	05/08/2015
7418 1	Bellingham Telecommunications Ltd	071-075 and 077-079	19/01/2010
7418 2	TGL Services (UK) Ltd	071-075 and 077-079	02/02/2015
7418 3	Tismi BV	071-075 and 077-079	11/10/2010
7418 4	MANX TELECOM TRADING LIMITED	071-075 and 077-079	07/02/2017
7418 5	Telecom North America Mobile Inc	071-075 and 077-079	01/12/2010
7418 6	Ace Call Limited	071-075 and 077-079	08/02/2011
7418 7	Tata Communications (UK) Ltd	071-075 and 077-079	01/07/2020
7418 9	Tata Communications (UK) Ltd	071-075 and 077-079	01/07/2020

Number Block	CP Name	Number Block Type	Allocation Date
7419 0	EE Limited (Orange)	071-075 and 077-079	24/02/2010
7419 1	EE Limited (Orange)	071-075 and 077-079	24/02/2010
7419 2	EE Limited (Orange)	071-075 and 077-079	24/02/2010
7419 3	EE Limited (Orange)	071-075 and 077-079	24/02/2010
7419 4	EE Limited (Orange)	071-075 and 077-079	24/02/2010
7419 5	EE Limited (Orange)	071-075 and 077-079	24/02/2010
7419 6	EE Limited (Orange)	071-075 and 077-079	24/02/2010
7419 7	EE Limited (Orange)	071-075 and 077-079	24/02/2010
7419 8	EE Limited (Orange)	071-075 and 077-079	24/02/2010
7419 9	EE Limited (Orange)	071-075 and 077-079	24/02/2010
7420 0	EE Limited (Orange)	071-075 and 077-079	24/02/2010
7420 1	EE Limited (Orange)	071-075 and 077-079	24/02/2010
7420 2	EE Limited (Orange)	071-075 and 077-079	24/02/2010
7420 3	EE Limited (Orange)	071-075 and 077-079	24/02/2010
7420 4	EE Limited (Orange)	071-075 and 077-079	24/02/2010
7420 5	EE Limited (Orange)	071-075 and 077-079	24/02/2010
7420 6	EE Limited (Orange)	071-075 and 077-079	24/02/2010
7420 7	EE Limited (Orange)	071-075 and 077-079	24/02/2010
7420 8	EE Limited (Orange)	071-075 and 077-079	24/02/2010
7420 9	EE Limited (Orange)	071-075 and 077-079	24/02/2010
7421 0	EE Limited (Orange)	071-075 and 077-079	24/02/2010
7421 1	EE Limited (Orange)	071-075 and 077-079	24/02/2010
7421 2	EE Limited (Orange)	071-075 and 077-079	24/02/2010
7421 3	EE Limited (Orange)	071-075 and 077-079	24/02/2010
7421 4	EE Limited (Orange)	071-075 and 077-079	24/02/2010
7421 5	EE Limited (Orange)	071-075 and 077-079	24/02/2010
7421 6	EE Limited (Orange)	071-075 and 077-079	24/02/2010
7421 7	EE Limited (Orange)	071-075 and 077-079	24/02/2010
7421 8	EE Limited (Orange)	071-075 and 077-079	24/02/2010
7421 9	EE Limited (Orange)	071-075 and 077-079	24/02/2010
7422 0	EE Limited (Orange)	071-075 and 077-079	24/02/2010
7422 1	EE Limited (Orange)	071-075 and 077-079	24/02/2010
7422 2	EE Limited (Orange)	071-075 and 077-079	24/02/2010
7422 3	EE Limited (Orange)	071-075 and 077-079	24/02/2010
7422 4	EE Limited (Orange)	071-075 and 077-079	24/02/2010
7422 5	EE Limited (Orange)	071-075 and 077-079	24/02/2010
7422 6	EE Limited (Orange)	071-075 and 077-079	24/02/2010
7422 7	EE Limited (Orange)	071-075 and 077-079	24/02/2010
7422 8	EE Limited (Orange)	071-075 and 077-079	24/02/2010
7422 9	EE Limited (Orange)	071-075 and 077-079	24/02/2010
7423 0	Vodafone Limited	071-075 and 077-079	15/03/2010
7423 1	Vodafone Limited	071-075 and 077-079	15/03/2010
7423 2	Vodafone Limited	071-075 and 077-079	15/03/2010
7423 3	Vodafone Limited	071-075 and 077-079	15/03/2010
7423 4	Vodafone Limited	071-075 and 077-079	15/03/2010
7423 5	Vodafone Limited	071-075 and 077-079	15/03/2010
7423 6	Vodafone Limited	071-075 and 077-079	15/03/2010
7423 7	Vodafone Limited	071-075 and 077-079	15/03/2010
7423 8	Vodafone Limited	071-075 and 077-079	15/03/2010

Number Block	CP Name	Number Block Type	Allocation Date
7423 9	Vodafone Limited	071-075 and 077-079	15/03/2010
7424 0	Lycamobile UK Limited	071-075 and 077-079	26/03/2010
7424 1	Lycamobile UK Limited	071-075 and 077-079	26/03/2010
7424 2	Lycamobile UK Limited	071-075 and 077-079	26/03/2010
7424 3	Lycamobile UK Limited	071-075 and 077-079	26/03/2010
7424 4	Lycamobile UK Limited	071-075 and 077-079	26/03/2010
7424 5	Lycamobile UK Limited	071-075 and 077-079	26/03/2010
7424 6	Lycamobile UK Limited	071-075 and 077-079	26/03/2010
7424 7	Lycamobile UK Limited	071-075 and 077-079	26/03/2010
7424 8	Lycamobile UK Limited	071-075 and 077-079	26/03/2010
7424 9	Lycamobile UK Limited	071-075 and 077-079	26/03/2010
7425 0	Vodafone Limited	071-075 and 077-079	28/05/2010
7425 1	Vodafone Limited	071-075 and 077-079	28/05/2010
7425 2	Vodafone Limited	071-075 and 077-079	28/05/2010
7425 3	Vodafone Limited	071-075 and 077-079	28/05/2010
7425 4	Vodafone Limited	071-075 and 077-079	28/05/2010
7425 5	Vodafone Limited	071-075 and 077-079	28/05/2010
7425 6	Vodafone Limited	071-075 and 077-079	28/05/2010
7425 7	Vodafone Limited	071-075 and 077-079	28/05/2010
7425 8	Vodafone Limited	071-075 and 077-079	28/05/2010
7425 9	Vodafone Limited	071-075 and 077-079	28/05/2010
7426 0	Hutchison 3G UK Ltd	071-075 and 077-079	16/06/2010
7426 1	Hutchison 3G UK Ltd	071-075 and 077-079	16/06/2010
7426 2	Hutchison 3G UK Ltd	071-075 and 077-079	16/06/2010
7426 3	Hutchison 3G UK Ltd	071-075 and 077-079	16/06/2010
7426 4	Hutchison 3G UK Ltd	071-075 and 077-079	16/06/2010
7426 5	Hutchison 3G UK Ltd	071-075 and 077-079	16/06/2010
7426 6	Hutchison 3G UK Ltd	071-075 and 077-079	16/06/2010
7426 7	Hutchison 3G UK Ltd	071-075 and 077-079	16/06/2010
7426 8	Hutchison 3G UK Ltd	071-075 and 077-079	16/06/2010
7426 9	Hutchison 3G UK Ltd	071-075 and 077-079	16/06/2010
7427 0	Hutchison 3G UK Ltd	071-075 and 077-079	16/06/2010
7427 1	Hutchison 3G UK Ltd	071-075 and 077-079	16/06/2010
7427 2	Hutchison 3G UK Ltd	071-075 and 077-079	16/06/2010
7427 3	Hutchison 3G UK Ltd	071-075 and 077-079	16/06/2010
7427 4	Hutchison 3G UK Ltd	071-075 and 077-079	16/06/2010
7427 5	Hutchison 3G UK Ltd	071-075 and 077-079	16/06/2010
7427 6	Hutchison 3G UK Ltd	071-075 and 077-079	16/06/2010
7427 7	Hutchison 3G UK Ltd	071-075 and 077-079	16/06/2010
7427 8	Hutchison 3G UK Ltd	071-075 and 077-079	16/06/2010
7427 9	Hutchison 3G UK Ltd	071-075 and 077-079	16/06/2010
7428 0	Hutchison 3G UK Ltd	071-075 and 077-079	16/06/2010
7428 1	Hutchison 3G UK Ltd	071-075 and 077-079	16/06/2010
7428 2	Hutchison 3G UK Ltd	071-075 and 077-079	16/06/2010
7428 3	Hutchison 3G UK Ltd	071-075 and 077-079	16/06/2010
7428 4	Hutchison 3G UK Ltd	071-075 and 077-079	16/06/2010
7428 5	Hutchison 3G UK Ltd	071-075 and 077-079	16/06/2010
7428 6	Hutchison 3G UK Ltd	071-075 and 077-079	16/06/2010
7428 7	Hutchison 3G UK Ltd	071-075 and 077-079	16/06/2010

Number Block	CP Name	Number Block Type	Allocation Date
7428 8	Hutchison 3G UK Ltd	071-075 and 077-079	16/06/2010
7428 9	Hutchison 3G UK Ltd	071-075 and 077-079	16/06/2010
7429 0	Hutchison 3G UK Ltd	071-075 and 077-079	16/06/2010
7429 1	Hutchison 3G UK Ltd	071-075 and 077-079	16/06/2010
7429 2	Hutchison 3G UK Ltd	071-075 and 077-079	16/06/2010
7429 3	Hutchison 3G UK Ltd	071-075 and 077-079	16/06/2010
7429 4	Hutchison 3G UK Ltd	071-075 and 077-079	16/06/2010
7429 5	Hutchison 3G UK Ltd	071-075 and 077-079	16/06/2010
7429 6	Hutchison 3G UK Ltd	071-075 and 077-079	16/06/2010
7429 7	Hutchison 3G UK Ltd	071-075 and 077-079	16/06/2010
7429 8	Hutchison 3G UK Ltd	071-075 and 077-079	16/06/2010
7429 9	Hutchison 3G UK Ltd	071-075 and 077-079	16/06/2010
7430 0	Telefonica UK Limited	071-075 and 077-079	30/06/2010
7430 1	Telefonica UK Limited	071-075 and 077-079	30/06/2010
7430 2	Telefonica UK Limited	071-075 and 077-079	30/06/2010
7430 3	Telefonica UK Limited	071-075 and 077-079	30/06/2010
7430 4	Telefonica UK Limited	071-075 and 077-079	30/06/2010
7430 5	Telefonica UK Limited	071-075 and 077-079	30/06/2010
7430 6	Telefonica UK Limited	071-075 and 077-079	30/06/2010
7430 7	Telefonica UK Limited	071-075 and 077-079	30/06/2010
7430 8	Telefonica UK Limited	071-075 and 077-079	30/06/2010
7430 9	Telefonica UK Limited	071-075 and 077-079	30/06/2010
7431 0	Telefonica UK Limited	071-075 and 077-079	30/06/2010
7431 1	Telefonica UK Limited	071-075 and 077-079	30/06/2010
7431 2	Telefonica UK Limited	071-075 and 077-079	30/06/2010
7431 3	Telefonica UK Limited	071-075 and 077-079	30/06/2010
7431 4	Telefonica UK Limited	071-075 and 077-079	30/06/2010
7431 5	Telefonica UK Limited	071-075 and 077-079	30/06/2010
7431 6	Telefonica UK Limited	071-075 and 077-079	30/06/2010
7431 7	Telefonica UK Limited	071-075 and 077-079	30/06/2010
7431 8	Telefonica UK Limited	071-075 and 077-079	30/06/2010
7431 9	Telefonica UK Limited	071-075 and 077-079	30/06/2010
7432 0	EE Limited (TM)	071-075 and 077-079	23/07/2010
7432 1	EE Limited (TM)	071-075 and 077-079	23/07/2010
7432 2	EE Limited (TM)	071-075 and 077-079	23/07/2010
7432 3	EE Limited (TM)	071-075 and 077-079	23/07/2010
7432 4	EE Limited (TM)	071-075 and 077-079	23/07/2010
7432 5	EE Limited (TM)	071-075 and 077-079	23/07/2010
7432 6	EE Limited (TM)	071-075 and 077-079	23/07/2010
7432 7	EE Limited (TM)	071-075 and 077-079	23/07/2010
7432 8	EE Limited (TM)	071-075 and 077-079	23/07/2010
7432 9	EE Limited (TM)	071-075 and 077-079	23/07/2010
7433 0	EE Limited (TM)	071-075 and 077-079	23/07/2010
7433 1	EE Limited (TM)	071-075 and 077-079	23/07/2010
7433 2	EE Limited (TM)	071-075 and 077-079	23/07/2010
7433 3	EE Limited (TM)	071-075 and 077-079	23/07/2010
7433 4	EE Limited (TM)	071-075 and 077-079	23/07/2010
7433 5	EE Limited (TM)	071-075 and 077-079	23/07/2010
7433 6	EE Limited (TM)	071-075 and 077-079	23/07/2010

Number Block	CP Name	Number Block Type	Allocation Date
7433 7	EE Limited (TM)	071-075 and 077-079	23/07/2010
7433 8	EE Limited (TM)	071-075 and 077-079	23/07/2010
7433 9	EE Limited (TM)	071-075 and 077-079	23/07/2010
7434 0	EE Limited (TM)	071-075 and 077-079	23/07/2010
7434 1	EE Limited (TM)	071-075 and 077-079	23/07/2010
7434 2	EE Limited (TM)	071-075 and 077-079	23/07/2010
7434 3	EE Limited (TM)	071-075 and 077-079	23/07/2010
7434 4	EE Limited (TM)	071-075 and 077-079	23/07/2010
7434 5	EE Limited (TM)	071-075 and 077-079	23/07/2010
7434 6	EE Limited (TM)	071-075 and 077-079	23/07/2010
7434 7	EE Limited (TM)	071-075 and 077-079	23/07/2010
7434 8	EE Limited (TM)	071-075 and 077-079	23/07/2010
7434 9	EE Limited (TM)	071-075 and 077-079	23/07/2010
7435 0	Vodafone Limited	071-075 and 077-079	26/07/2010
7435 1	Vodafone Limited	071-075 and 077-079	26/07/2010
7435 2	Vodafone Limited	071-075 and 077-079	26/07/2010
7435 3	Vodafone Limited	071-075 and 077-079	26/07/2010
7435 4	Vodafone Limited	071-075 and 077-079	26/07/2010
7435 5	Vodafone Limited	071-075 and 077-079	26/07/2010
7435 6	Vodafone Limited	071-075 and 077-079	26/07/2010
7435 7	Vodafone Limited	071-075 and 077-079	26/07/2010
7435 8	Vodafone Limited	071-075 and 077-079	26/07/2010
7435 9	Vodafone Limited	071-075 and 077-079	26/07/2010
7436 0	Vodafone Limited	071-075 and 077-079	26/07/2010
7436 1	Vodafone Limited	071-075 and 077-079	26/07/2010
7436 2	Vodafone Limited	071-075 and 077-079	26/07/2010
7436 3	Vodafone Limited	071-075 and 077-079	26/07/2010
7436 4	Vodafone Limited	071-075 and 077-079	26/07/2010
7436 5	Vodafone Limited	071-075 and 077-079	26/07/2010
7436 6	Vodafone Limited	071-075 and 077-079	26/07/2010
7436 7	Vodafone Limited	071-075 and 077-079	26/07/2010
7436 8	Vodafone Limited	071-075 and 077-079	26/07/2010
7436 9	Vodafone Limited	071-075 and 077-079	26/07/2010
7437 0	Vodafone Limited	071-075 and 077-079	26/07/2010
7437 1	Vodafone Limited	071-075 and 077-079	26/07/2010
7437 2	Vodafone Limited	071-075 and 077-079	26/07/2010
7437 3	Vodafone Limited	071-075 and 077-079	26/07/2010
7437 4	Vodafone Limited	071-075 and 077-079	26/07/2010
7437 5	Vodafone Limited	071-075 and 077-079	26/07/2010
7437 6	Vodafone Limited	071-075 and 077-079	26/07/2010
7437 7	Vodafone Limited	071-075 and 077-079	26/07/2010
7437 8	Vodafone Limited	071-075 and 077-079	26/07/2010
7437 9	Vodafone Limited	071-075 and 077-079	26/07/2010
7438 0	Lycamobile UK Limited	071-075 and 077-079	03/09/2010
7438 1	Lycamobile UK Limited	071-075 and 077-079	03/09/2010
7438 2	Lycamobile UK Limited	071-075 and 077-079	03/09/2010
7438 3	Lycamobile UK Limited	071-075 and 077-079	03/09/2010
7438 4	Lycamobile UK Limited	071-075 and 077-079	03/09/2010
7438 5	Lycamobile UK Limited	071-075 and 077-079	03/09/2010

Number Block	CP Name	Number Block Type	Allocation Date
7438 6	Lycamobile UK Limited	071-075 and 077-079	03/09/2010
7438 7	Lycamobile UK Limited	071-075 and 077-079	03/09/2010
7438 8	Lycamobile UK Limited	071-075 and 077-079	03/09/2010
7438 9	Lycamobile UK Limited	071-075 and 077-079	03/09/2010
7440 0	Lycamobile UK Limited	071-075 and 077-079	03/09/2010
7440 1	Lycamobile UK Limited	071-075 and 077-079	03/09/2010
7440 2	Lycamobile UK Limited	071-075 and 077-079	03/09/2010
7440 3	Lycamobile UK Limited	071-075 and 077-079	03/09/2010
7440 4	Lycamobile UK Limited	071-075 and 077-079	03/09/2010
7440 5	Lycamobile UK Limited	071-075 and 077-079	03/09/2010
7440 6	Lycamobile UK Limited	071-075 and 077-079	03/09/2010
7440 7	Lycamobile UK Limited	071-075 and 077-079	03/09/2010
7440 9	WIRELESS LOGIC LIMITED	071-075 and 077-079	12/04/2022
7441 0	Sound Advertising Ltd	071-075 and 077-079	06/04/2011
7441 1	Andrews & Arnold Ltd	071-075 and 077-079	11/04/2011
7441 3	Stour Marine Limited	071-075 and 077-079	12/07/2011
7441 4	Tismi BV	071-075 and 077-079	11/03/2014
7441 5	Synectiv Ltd	071-075 and 077-079	22/08/2011
7441 6	Vodafone Limited	071-075 and 077-079	21/04/2016
7441 7	Synectiv Ltd	071-075 and 077-079	22/08/2011
7441 8	Core Telecom Limited	071-075 and 077-079	28/03/2011
7441 9	Voxbone SA	071-075 and 077-079	05/09/2011
7442 0	Vodafone Limited	071-075 and 077-079	09/02/2011
7442 1	Vodafone Limited	071-075 and 077-079	09/02/2011
7442 2	Vodafone Limited	071-075 and 077-079	09/02/2011
7442 3	Vodafone Limited	071-075 and 077-079	09/02/2011
7442 4	Vodafone Limited	071-075 and 077-079	09/02/2011
7442 5	Vodafone Limited	071-075 and 077-079	09/02/2011
7442 6	Vodafone Limited	071-075 and 077-079	09/02/2011
7442 7	Vodafone Limited	071-075 and 077-079	09/02/2011
7442 8	Vodafone Limited	071-075 and 077-079	09/02/2011
7442 9	Vodafone Limited	071-075 and 077-079	09/02/2011
7443 0	Vodafone Limited	071-075 and 077-079	09/02/2011
7443 1	Vodafone Limited	071-075 and 077-079	09/02/2011
7443 2	Vodafone Limited	071-075 and 077-079	09/02/2011
7443 3	Vodafone Limited	071-075 and 077-079	09/02/2011
7443 4	Vodafone Limited	071-075 and 077-079	09/02/2011
7443 5	Vodafone Limited	071-075 and 077-079	09/02/2011
7443 6	Vodafone Limited	071-075 and 077-079	09/02/2011
7443 7	Vodafone Limited	071-075 and 077-079	09/02/2011
7443 8	Vodafone Limited	071-075 and 077-079	09/02/2011
7443 9	Vodafone Limited	071-075 and 077-079	09/02/2011
7444 0	Vodafone Limited	071-075 and 077-079	09/02/2011
7444 1	Vodafone Limited	071-075 and 077-079	09/02/2011
7444 2	Vodafone Limited	071-075 and 077-079	09/02/2011
7444 3	Vodafone Limited	071-075 and 077-079	09/02/2011
7444 4	Vodafone Limited	071-075 and 077-079	09/02/2011
7444 5	Vodafone Limited	071-075 and 077-079	09/02/2011
7444 6	Vodafone Limited	071-075 and 077-079	09/02/2011

Number Block	CP Name	Number Block Type	Allocation Date
7444 7	Vodafone Limited	071-075 and 077-079	09/02/2011
7444 8	Vodafone Limited	071-075 and 077-079	09/02/2011
7444 9	Vodafone Limited	071-075 and 077-079	09/02/2011
7445 0	Hutchison 3G UK Ltd	071-075 and 077-079	13/06/2011
7445 1	Hutchison 3G UK Ltd	071-075 and 077-079	13/06/2011
7445 2	Hutchison 3G UK Ltd	071-075 and 077-079	13/06/2011
7445 3	Hutchison 3G UK Ltd	071-075 and 077-079	13/06/2011
7445 4	Hutchison 3G UK Ltd	071-075 and 077-079	13/06/2011
7445 5	Hutchison 3G UK Ltd	071-075 and 077-079	13/06/2011
7445 6	Hutchison 3G UK Ltd	071-075 and 077-079	13/06/2011
7445 7	Hutchison 3G UK Ltd	071-075 and 077-079	13/06/2011
7445 8	Hutchison 3G UK Ltd	071-075 and 077-079	13/06/2011
7445 9	Hutchison 3G UK Ltd	071-075 and 077-079	13/06/2011
7446 0	Hutchison 3G UK Ltd	071-075 and 077-079	13/06/2011
7446 1	Hutchison 3G UK Ltd	071-075 and 077-079	13/06/2011
7446 2	Hutchison 3G UK Ltd	071-075 and 077-079	13/06/2011
7446 3	Hutchison 3G UK Ltd	071-075 and 077-079	13/06/2011
7446 4	Hutchison 3G UK Ltd	071-075 and 077-079	13/06/2011
7446 5	Hutchison 3G UK Ltd	071-075 and 077-079	13/06/2011
7446 6	Hutchison 3G UK Ltd	071-075 and 077-079	13/06/2011
7446 7	Hutchison 3G UK Ltd	071-075 and 077-079	13/06/2011
7446 8	Hutchison 3G UK Ltd	071-075 and 077-079	13/06/2011
7446 9	Hutchison 3G UK Ltd	071-075 and 077-079	13/06/2011
7447 0	Hutchison 3G UK Ltd	071-075 and 077-079	03/08/2011
7447 1	Hutchison 3G UK Ltd	071-075 and 077-079	03/08/2011
7447 2	Hutchison 3G UK Ltd	071-075 and 077-079	03/08/2011
7447 3	Hutchison 3G UK Ltd	071-075 and 077-079	03/08/2011
7447 4	Hutchison 3G UK Ltd	071-075 and 077-079	03/08/2011
7447 5	Hutchison 3G UK Ltd	071-075 and 077-079	03/08/2011
7447 6	Hutchison 3G UK Ltd	071-075 and 077-079	03/08/2011
7447 7	Hutchison 3G UK Ltd	071-075 and 077-079	03/08/2011
7447 8	Hutchison 3G UK Ltd	071-075 and 077-079	03/08/2011
7447 9	Hutchison 3G UK Ltd	071-075 and 077-079	03/08/2011
7448 0	Lycamobile UK Limited	071-075 and 077-079	03/08/2011
7448 1	Lycamobile UK Limited	071-075 and 077-079	03/08/2011
7448 2	Lycamobile UK Limited	071-075 and 077-079	03/08/2011
7448 3	Lycamobile UK Limited	071-075 and 077-079	03/08/2011
7448 4	Lycamobile UK Limited	071-075 and 077-079	03/08/2011
7448 5	Lycamobile UK Limited	071-075 and 077-079	03/08/2011
7448 6	Lycamobile UK Limited	071-075 and 077-079	03/08/2011
7448 7	Lycamobile UK Limited	071-075 and 077-079	03/08/2011
7448 8	Lycamobile UK Limited	071-075 and 077-079	03/08/2011
7448 9	Lycamobile UK Limited	071-075 and 077-079	03/08/2011
7449 0	Hutchison 3G UK Ltd	071-075 and 077-079	03/08/2011
7449 1	Hutchison 3G UK Ltd	071-075 and 077-079	03/08/2011
7449 2	Hutchison 3G UK Ltd	071-075 and 077-079	03/08/2011
7449 3	Hutchison 3G UK Ltd	071-075 and 077-079	03/08/2011
7449 4	Hutchison 3G UK Ltd	071-075 and 077-079	03/08/2011
7449 5	Hutchison 3G UK Ltd	071-075 and 077-079	03/08/2011

Number Block	CP Name	Number Block Type	Allocation Date
7449 6	Hutchison 3G UK Ltd	071-075 and 077-079	03/08/2011
7449 7	Hutchison 3G UK Ltd	071-075 and 077-079	03/08/2011
7449 8	Hutchison 3G UK Ltd	071-075 and 077-079	03/08/2011
7449 9	Hutchison 3G UK Ltd	071-075 and 077-079	03/08/2011
7450 0	Hutchison 3G UK Ltd	071-075 and 077-079	03/08/2011
7450 1	Hutchison 3G UK Ltd	071-075 and 077-079	03/08/2011
7450 2	Hutchison 3G UK Ltd	071-075 and 077-079	03/08/2011
7450 3	Hutchison 3G UK Ltd	071-075 and 077-079	03/08/2011
7450 4	Hutchison 3G UK Ltd	071-075 and 077-079	03/08/2011
7450 5	Hutchison 3G UK Ltd	071-075 and 077-079	03/08/2011
7450 6	Hutchison 3G UK Ltd	071-075 and 077-079	03/08/2011
7450 7	Hutchison 3G UK Ltd	071-075 and 077-079	03/08/2011
7450 8	Hutchison 3G UK Ltd	071-075 and 077-079	03/08/2011
7450 9	Hutchison 3G UK Ltd	071-075 and 077-079	03/08/2011
7451 0	Vectone Mobile Limited	071-075 and 077-079	06/09/2011
7451 1	Vectone Mobile Limited	071-075 and 077-079	06/09/2011
7451 2	Tismi BV	071-075 and 077-079	13/09/2011
7451 3	Vectone Mobile Limited	071-075 and 077-079	01/11/2011
7451 4	Vectone Mobile Limited	071-075 and 077-079	01/11/2011
7451 6	UK BROADBAND LIMITED	071-075 and 077-079	05/12/2011
7451 7	UK BROADBAND LIMITED	071-075 and 077-079	05/12/2011
7451 8	Vectone Mobile Limited	071-075 and 077-079	13/01/2012
7451 9	Vectone Mobile Limited	071-075 and 077-079	13/01/2012
7452 0	MANX TELECOM TRADING LIMITED	071-075 and 077-079	07/02/2017
7452 1	MANX TELECOM TRADING LIMITED	071-075 and 077-079	07/02/2017
7452 2	MANX TELECOM TRADING LIMITED	071-075 and 077-079	07/02/2017
7452 3	MANX TELECOM TRADING LIMITED	071-075 and 077-079	07/02/2017
7452 4	MANX TELECOM TRADING LIMITED	071-075 and 077-079	07/02/2017
7452 5	MANX TELECOM TRADING LIMITED	071-075 and 077-079	07/02/2017
7452 6	MANX TELECOM TRADING LIMITED	071-075 and 077-079	07/02/2017
7452 7	Hutchison 3G UK Ltd	071-075 and 077-079	05/08/2015
7452 8	Hutchison 3G UK Ltd	071-075 and 077-079	05/08/2015
7452 9	Hutchison 3G UK Ltd	071-075 and 077-079	05/08/2015
7453 0	Hutchison 3G UK Ltd	071-075 and 077-079	30/11/2011
7453 1	Hutchison 3G UK Ltd	071-075 and 077-079	30/11/2011
7453 2	Hutchison 3G UK Ltd	071-075 and 077-079	30/11/2011
7453 3	Hutchison 3G UK Ltd	071-075 and 077-079	30/11/2011
7453 4	Hutchison 3G UK Ltd	071-075 and 077-079	30/11/2011
7453 5	Hutchison 3G UK Ltd	071-075 and 077-079	30/11/2011
7453 6	Hutchison 3G UK Ltd	071-075 and 077-079	30/11/2011
7453 7	Hutchison 3G UK Ltd	071-075 and 077-079	30/11/2011
7453 8	Hutchison 3G UK Ltd	071-075 and 077-079	30/11/2011
7453 9	Hutchison 3G UK Ltd	071-075 and 077-079	30/11/2011
7454 0	Hutchison 3G UK Ltd	071-075 and 077-079	30/11/2011
7454 1	Hutchison 3G UK Ltd	071-075 and 077-079	30/11/2011
7454 2	Hutchison 3G UK Ltd	071-075 and 077-079	30/11/2011
7454 3	Hutchison 3G UK Ltd	071-075 and 077-079	30/11/2011
7454 4	Hutchison 3G UK Ltd	071-075 and 077-079	30/11/2011
7454 5	Hutchison 3G UK Ltd	071-075 and 077-079	30/11/2011

Number Block	CP Name	Number Block Type	Allocation Date
7454 6	Hutchison 3G UK Ltd	071-075 and 077-079	30/11/2011
7454 7	Hutchison 3G UK Ltd	071-075 and 077-079	30/11/2011
7454 8	Hutchison 3G UK Ltd	071-075 and 077-079	30/11/2011
7454 9	Hutchison 3G UK Ltd	071-075 and 077-079	30/11/2011
7455 0	Hutchison 3G UK Ltd	071-075 and 077-079	30/11/2011
7455 1	Hutchison 3G UK Ltd	071-075 and 077-079	30/11/2011
7455 2	Hutchison 3G UK Ltd	071-075 and 077-079	30/11/2011
7455 3	Hutchison 3G UK Ltd	071-075 and 077-079	30/11/2011
7455 4	Hutchison 3G UK Ltd	071-075 and 077-079	30/11/2011
7455 5	Hutchison 3G UK Ltd	071-075 and 077-079	30/11/2011
7455 6	Hutchison 3G UK Ltd	071-075 and 077-079	30/11/2011
7455 7	Hutchison 3G UK Ltd	071-075 and 077-079	30/11/2011
7455 8	Hutchison 3G UK Ltd	071-075 and 077-079	30/11/2011
7455 9	Hutchison 3G UK Ltd	071-075 and 077-079	30/11/2011
7456 0	Hutchison 3G UK Ltd	071-075 and 077-079	30/11/2011
7456 1	Hutchison 3G UK Ltd	071-075 and 077-079	30/11/2011
7456 2	Hutchison 3G UK Ltd	071-075 and 077-079	30/11/2011
7456 3	Hutchison 3G UK Ltd	071-075 and 077-079	30/11/2011
7456 4	Hutchison 3G UK Ltd	071-075 and 077-079	30/11/2011
7456 5	Hutchison 3G UK Ltd	071-075 and 077-079	30/11/2011
7456 6	Hutchison 3G UK Ltd	071-075 and 077-079	30/11/2011
7456 7	Hutchison 3G UK Ltd	071-075 and 077-079	30/11/2011
7456 8	Hutchison 3G UK Ltd	071-075 and 077-079	30/11/2011
7456 9	Hutchison 3G UK Ltd	071-075 and 077-079	30/11/2011
7457 0	Vectone Mobile Limited	071-075 and 077-079	13/01/2012
7457 1	Vectone Mobile Limited	071-075 and 077-079	31/01/2012
7457 2	Marathon Telecom Limited	071-075 and 077-079	31/01/2012
7457 3	Vectone Mobile Limited	071-075 and 077-079	24/07/2012
7457 4	Voicetec Systems Ltd	071-075 and 077-079	12/04/2012
7457 5	Vectone Mobile Limited	071-075 and 077-079	24/07/2012
7457 6	Sure (Isle of Man) Limited	071-075 and 077-079	29/05/2013
7457 7	Spacetel UK Ltd	071-075 and 077-079	03/04/2012
7458 0	Gamma Telecom Holdings Ltd	071-075 and 077-079	02/02/2015
7458 1	Gamma Telecom Holdings Ltd	071-075 and 077-079	02/02/2015
7458 2	Premium Routing GmbH	071-075 and 077-079	23/01/2013
7458 3	Virgin Mobile Telecoms Limited	071-075 and 077-079	01/05/2013
7458 4	Airwave Solutions Ltd	071-075 and 077-079	05/06/2013
7458 5	Marathon Telecom Limited	071-075 and 077-079	17/12/2013
7458 6	Hutchison 3G UK Ltd	071-075 and 077-079	05/08/2015
7458 7	Tango Networks UK Ltd	071-075 and 077-079	22/03/2018
7458 8	Tango Networks UK Ltd	071-075 and 077-079	22/03/2018
7458 9	Hutchison 3G UK Ltd	071-075 and 077-079	05/08/2015
7459 0	Lycamobile UK Limited	071-075 and 077-079	01/06/2012
7459 1	Lycamobile UK Limited	071-075 and 077-079	01/06/2012
7459 2	Lycamobile UK Limited	071-075 and 077-079	01/06/2012
7459 3	Lycamobile UK Limited	071-075 and 077-079	01/06/2012
7459 4	Lycamobile UK Limited	071-075 and 077-079	01/06/2012
7459 5	Lycamobile UK Limited	071-075 and 077-079	01/06/2012
7459 6	Lycamobile UK Limited	071-075 and 077-079	01/06/2012

Number Block	CP Name	Number Block Type	Allocation Date
7459 7	Lycamobile UK Limited	071-075 and 077-079	01/06/2012
7459 8	Lycamobile UK Limited	071-075 and 077-079	01/06/2012
7459 9	Lycamobile UK Limited	071-075 and 077-079	01/06/2012
7460 0	Hutchison 3G UK Ltd	071-075 and 077-079	19/06/2012
7460 1	Hutchison 3G UK Ltd	071-075 and 077-079	19/06/2012
7460 2	Hutchison 3G UK Ltd	071-075 and 077-079	19/06/2012
7460 3	Hutchison 3G UK Ltd	071-075 and 077-079	19/06/2012
7460 4	Hutchison 3G UK Ltd	071-075 and 077-079	19/06/2012
7460 5	Hutchison 3G UK Ltd	071-075 and 077-079	19/06/2012
7460 6	Hutchison 3G UK Ltd	071-075 and 077-079	19/06/2012
7460 7	Hutchison 3G UK Ltd	071-075 and 077-079	19/06/2012
7460 8	Hutchison 3G UK Ltd	071-075 and 077-079	19/06/2012
7460 9	Hutchison 3G UK Ltd	071-075 and 077-079	19/06/2012
7461 0	Telefonica UK Limited	071-075 and 077-079	19/06/2012
7461 1	Telefonica UK Limited	071-075 and 077-079	19/06/2012
7461 2	Telefonica UK Limited	071-075 and 077-079	19/06/2012
7461 3	Telefonica UK Limited	071-075 and 077-079	19/06/2012
7461 4	Telefonica UK Limited	071-075 and 077-079	19/06/2012
7461 5	Telefonica UK Limited	071-075 and 077-079	19/06/2012
7461 6	Telefonica UK Limited	071-075 and 077-079	19/06/2012
7461 7	Telefonica UK Limited	071-075 and 077-079	19/06/2012
7461 8	Telefonica UK Limited	071-075 and 077-079	19/06/2012
7461 9	Telefonica UK Limited	071-075 and 077-079	19/06/2012
7462 0	Hutchison 3G UK Ltd	071-075 and 077-079	19/06/2012
7462 1	Hutchison 3G UK Ltd	071-075 and 077-079	19/06/2012
7462 2	Hutchison 3G UK Ltd	071-075 and 077-079	19/06/2012
7462 3	Hutchison 3G UK Ltd	071-075 and 077-079	19/06/2012
7462 4	Hutchison 3G UK Ltd	071-075 and 077-079	19/06/2012
7462 5	Hutchison 3G UK Ltd	071-075 and 077-079	19/06/2012
7462 6	Hutchison 3G UK Ltd	071-075 and 077-079	19/06/2012
7462 7	Hutchison 3G UK Ltd	071-075 and 077-079	19/06/2012
7462 8	Hutchison 3G UK Ltd	071-075 and 077-079	19/06/2012
7462 9	Hutchison 3G UK Ltd	071-075 and 077-079	19/06/2012
7463 0	Hutchison 3G UK Ltd	071-075 and 077-079	19/06/2012
7463 1	Hutchison 3G UK Ltd	071-075 and 077-079	19/06/2012
7463 2	Hutchison 3G UK Ltd	071-075 and 077-079	19/06/2012
7463 3	Hutchison 3G UK Ltd	071-075 and 077-079	19/06/2012
7463 4	Hutchison 3G UK Ltd	071-075 and 077-079	19/06/2012
7463 5	Hutchison 3G UK Ltd	071-075 and 077-079	19/06/2012
7463 6	Hutchison 3G UK Ltd	071-075 and 077-079	19/06/2012
7463 7	Hutchison 3G UK Ltd	071-075 and 077-079	19/06/2012
7463 8	Hutchison 3G UK Ltd	071-075 and 077-079	19/06/2012
7463 9	Hutchison 3G UK Ltd	071-075 and 077-079	19/06/2012
7464 0	Vodafone Limited	071-075 and 077-079	20/11/2014
7464 1	Vodafone Limited	071-075 and 077-079	20/11/2014
7464 2	Vodafone Limited	071-075 and 077-079	20/11/2014
7464 3	Vodafone Limited	071-075 and 077-079	20/11/2014
7464 4	Vodafone Limited	071-075 and 077-079	20/11/2014
7464 5	Vodafone Limited	071-075 and 077-079	20/11/2014

Number Block	CP Name	Number Block Type	Allocation Date
7464 6	Vodafone Limited	071-075 and 077-079	20/11/2014
7464 7	Vodafone Limited	071-075 and 077-079	20/11/2014
7464 8	Vodafone Limited	071-075 and 077-079	20/11/2014
7464 9	Vodafone Limited	071-075 and 077-079	20/11/2014
7465 0	Vectone Mobile Limited	071-075 and 077-079	24/07/2012
7465 1	Vectone Mobile Limited	071-075 and 077-079	24/07/2012
7465 2	Hutchison 3G UK Ltd	071-075 and 077-079	05/08/2015
7465 3	Compatel Ltd	071-075 and 077-079	06/11/2012
7465 4	Hutchison 3G UK Ltd	071-075 and 077-079	05/08/2015
7465 5	Global Reach Networks Limited	071-075 and 077-079	11/10/2016
7465 6	Hutchison 3G UK Ltd	071-075 and 077-079	05/08/2015
7465 7	Hutchison 3G UK Ltd	071-075 and 077-079	05/08/2015
7465 8	Hutchison 3G UK Ltd	071-075 and 077-079	05/08/2015
7465 9	Hutchison 3G UK Ltd	071-075 and 077-079	05/08/2015
7466 0	Lycamobile UK Limited	071-075 and 077-079	26/03/2010
7466 1	Lycamobile UK Limited	071-075 and 077-079	26/03/2010
7466 2	Lycamobile UK Limited	071-075 and 077-079	26/03/2010
7466 3	Lycamobile UK Limited	071-075 and 077-079	26/03/2010
7466 4	Lycamobile UK Limited	071-075 and 077-079	26/03/2010
7466 5	Lycamobile UK Limited	071-075 and 077-079	26/03/2010
7466 6	Lycamobile UK Limited	071-075 and 077-079	26/03/2010
7466 7	Lycamobile UK Limited	071-075 and 077-079	26/03/2010
7466 8	Lycamobile UK Limited	071-075 and 077-079	26/03/2010
7466 9	Lycamobile UK Limited	071-075 and 077-079	26/03/2010
7467 0	Vodafone Limited	071-075 and 077-079	13/11/2012
7467 1	Vodafone Limited	071-075 and 077-079	13/11/2012
7467 2	Vodafone Limited	071-075 and 077-079	13/11/2012
7467 3	Vodafone Limited	071-075 and 077-079	13/11/2012
7467 4	Vodafone Limited	071-075 and 077-079	13/11/2012
7467 5	Vodafone Limited	071-075 and 077-079	13/11/2012
7467 6	Vodafone Limited	071-075 and 077-079	13/11/2012
7467 7	Vodafone Limited	071-075 and 077-079	13/11/2012
7467 8	Vodafone Limited	071-075 and 077-079	13/11/2012
7467 9	Vodafone Limited	071-075 and 077-079	13/11/2012
7468 0	Vodafone Limited	071-075 and 077-079	13/11/2012
7468 1	Vodafone Limited	071-075 and 077-079	13/11/2012
7468 2	Vodafone Limited	071-075 and 077-079	13/11/2012
7468 3	Vodafone Limited	071-075 and 077-079	13/11/2012
7468 4	Vodafone Limited	071-075 and 077-079	13/11/2012
7468 5	Vodafone Limited	071-075 and 077-079	13/11/2012
7468 6	Vodafone Limited	071-075 and 077-079	13/11/2012
7468 7	Vodafone Limited	071-075 and 077-079	13/11/2012
7468 8	Vodafone Limited	071-075 and 077-079	13/11/2012
7468 9	Vodafone Limited	071-075 and 077-079	13/11/2012
7469 0	Vodafone Limited	071-075 and 077-079	13/11/2012
7469 1	Vodafone Limited	071-075 and 077-079	13/11/2012
7469 2	Vodafone Limited	071-075 and 077-079	13/11/2012
7469 3	Vodafone Limited	071-075 and 077-079	13/11/2012
7469 4	Vodafone Limited	071-075 and 077-079	13/11/2012

Number Block	CP Name	Number Block Type	Allocation Date
7469 5	Vodafone Limited	071-075 and 077-079	13/11/2012
7469 6	Vodafone Limited	071-075 and 077-079	13/11/2012
7469 7	Vodafone Limited	071-075 and 077-079	13/11/2012
7469 8	Vodafone Limited	071-075 and 077-079	13/11/2012
7469 9	Vodafone Limited	071-075 and 077-079	13/11/2012
7470 0	Vodafone Limited	071-075 and 077-079	13/11/2012
7470 1	Vodafone Limited	071-075 and 077-079	13/11/2012
7470 2	Vodafone Limited	071-075 and 077-079	13/11/2012
7470 3	Vodafone Limited	071-075 and 077-079	13/11/2012
7470 4	Vodafone Limited	071-075 and 077-079	13/11/2012
7470 5	Vodafone Limited	071-075 and 077-079	13/11/2012
7470 6	Vodafone Limited	071-075 and 077-079	13/11/2012
7470 7	Vodafone Limited	071-075 and 077-079	13/11/2012
7470 8	Vodafone Limited	071-075 and 077-079	13/11/2012
7470 9	Vodafone Limited	071-075 and 077-079	13/11/2012
7471 0	Vodafone Limited	071-075 and 077-079	13/11/2012
7471 1	Vodafone Limited	071-075 and 077-079	13/11/2012
7471 2	Vodafone Limited	071-075 and 077-079	13/11/2012
7471 3	Vodafone Limited	071-075 and 077-079	13/11/2012
7471 4	Vodafone Limited	071-075 and 077-079	13/11/2012
7471 5	Vodafone Limited	071-075 and 077-079	13/11/2012
7471 6	Vodafone Limited	071-075 and 077-079	13/11/2012
7471 7	Vodafone Limited	071-075 and 077-079	13/11/2012
7471 8	Vodafone Limited	071-075 and 077-079	13/11/2012
7471 9	Vodafone Limited	071-075 and 077-079	13/11/2012
7472 0	Hutchison 3G UK Ltd	071-075 and 077-079	15/01/2013
7472 1	Hutchison 3G UK Ltd	071-075 and 077-079	15/01/2013
7472 2	Hutchison 3G UK Ltd	071-075 and 077-079	15/01/2013
7472 3	Hutchison 3G UK Ltd	071-075 and 077-079	15/01/2013
7472 4	Hutchison 3G UK Ltd	071-075 and 077-079	15/01/2013
7472 5	Hutchison 3G UK Ltd	071-075 and 077-079	15/01/2013
7472 6	Hutchison 3G UK Ltd	071-075 and 077-079	15/01/2013
7472 7	Hutchison 3G UK Ltd	071-075 and 077-079	15/01/2013
7472 8	Hutchison 3G UK Ltd	071-075 and 077-079	15/01/2013
7472 9	Hutchison 3G UK Ltd	071-075 and 077-079	15/01/2013
7473 0	Hutchison 3G UK Ltd	071-075 and 077-079	15/01/2013
7473 1	Hutchison 3G UK Ltd	071-075 and 077-079	15/01/2013
7473 2	Hutchison 3G UK Ltd	071-075 and 077-079	15/01/2013
7473 3	Hutchison 3G UK Ltd	071-075 and 077-079	15/01/2013
7473 4	Hutchison 3G UK Ltd	071-075 and 077-079	15/01/2013
7473 5	Hutchison 3G UK Ltd	071-075 and 077-079	15/01/2013
7473 6	Hutchison 3G UK Ltd	071-075 and 077-079	15/01/2013
7473 7	Hutchison 3G UK Ltd	071-075 and 077-079	15/01/2013
7473 8	Hutchison 3G UK Ltd	071-075 and 077-079	15/01/2013
7473 9	Hutchison 3G UK Ltd	071-075 and 077-079	15/01/2013
7474 0	Hutchison 3G UK Ltd	071-075 and 077-079	15/01/2013
7474 1	Hutchison 3G UK Ltd	071-075 and 077-079	15/01/2013
7474 2	Hutchison 3G UK Ltd	071-075 and 077-079	15/01/2013
7474 3	Hutchison 3G UK Ltd	071-075 and 077-079	15/01/2013

Number Block	CP Name	Number Block Type	Allocation Date
7479 3	Hutchison 3G UK Ltd	071-075 and 077-079	05/11/2013
7479 4	Hutchison 3G UK Ltd	071-075 and 077-079	05/11/2013
7479 5	Hutchison 3G UK Ltd	071-075 and 077-079	05/11/2013
7479 6	Hutchison 3G UK Ltd	071-075 and 077-079	05/11/2013
7479 7	Hutchison 3G UK Ltd	071-075 and 077-079	05/11/2013
7479 8	Hutchison 3G UK Ltd	071-075 and 077-079	05/11/2013
7479 9	Hutchison 3G UK Ltd	071-075 and 077-079	05/11/2013
7480 0	Hutchison 3G UK Ltd	071-075 and 077-079	05/11/2013
7480 1	Hutchison 3G UK Ltd	071-075 and 077-079	05/11/2013
7480 2	Hutchison 3G UK Ltd	071-075 and 077-079	05/11/2013
7480 3	Hutchison 3G UK Ltd	071-075 and 077-079	05/11/2013
7480 4	Hutchison 3G UK Ltd	071-075 and 077-079	05/11/2013
7480 5	Hutchison 3G UK Ltd	071-075 and 077-079	05/11/2013
7480 6	Hutchison 3G UK Ltd	071-075 and 077-079	05/11/2013
7480 7	Hutchison 3G UK Ltd	071-075 and 077-079	05/11/2013
7480 8	Hutchison 3G UK Ltd	071-075 and 077-079	05/11/2013
7480 9	Hutchison 3G UK Ltd	071-075 and 077-079	05/11/2013
7481 0	Hutchison 3G UK Ltd	071-075 and 077-079	05/11/2013
7481 1	Hutchison 3G UK Ltd	071-075 and 077-079	05/11/2013
7481 2	Hutchison 3G UK Ltd	071-075 and 077-079	05/11/2013
7481 3	Hutchison 3G UK Ltd	071-075 and 077-079	05/11/2013
7481 4	Hutchison 3G UK Ltd	071-075 and 077-079	05/11/2013
7481 5	Hutchison 3G UK Ltd	071-075 and 077-079	05/11/2013
7481 6	Hutchison 3G UK Ltd	071-075 and 077-079	05/11/2013
7481 7	Hutchison 3G UK Ltd	071-075 and 077-079	05/11/2013
7481 8	Hutchison 3G UK Ltd	071-075 and 077-079	05/11/2013
7481 9	Hutchison 3G UK Ltd	071-075 and 077-079	05/11/2013
7482 0	Hutchison 3G UK Ltd	071-075 and 077-079	05/11/2013
7482 1	Hutchison 3G UK Ltd	071-075 and 077-079	05/11/2013
7482 2	Hutchison 3G UK Ltd	071-075 and 077-079	05/11/2013
7482 3	Hutchison 3G UK Ltd	071-075 and 077-079	05/11/2013
7482 4	Hutchison 3G UK Ltd	071-075 and 077-079	05/11/2013
7482 5	Hutchison 3G UK Ltd	071-075 and 077-079	05/11/2013
7482 6	Hutchison 3G UK Ltd	071-075 and 077-079	05/11/2013
7482 7	Hutchison 3G UK Ltd	071-075 and 077-079	05/11/2013
7482 8	Hutchison 3G UK Ltd	071-075 and 077-079	05/11/2013
7482 9	Hutchison 3G UK Ltd	071-075 and 077-079	05/11/2013
7483 0	EE Limited (TM)	071-075 and 077-079	14/11/2013
7483 1	EE Limited (TM)	071-075 and 077-079	14/11/2013
7483 2	EE Limited (TM)	071-075 and 077-079	14/11/2013
7483 3	EE Limited (TM)	071-075 and 077-079	14/11/2013
7483 4	EE Limited (TM)	071-075 and 077-079	14/11/2013
7483 5	EE Limited (TM)	071-075 and 077-079	14/11/2013
7483 6	EE Limited (TM)	071-075 and 077-079	14/11/2013
7483 7	EE Limited (TM)	071-075 and 077-079	14/11/2013
7483 8	EE Limited (TM)	071-075 and 077-079	14/11/2013
7483 9	EE Limited (TM)	071-075 and 077-079	14/11/2013
7484 0	EE Limited (TM)	071-075 and 077-079	14/11/2013
7484 1	EE Limited (TM)	071-075 and 077-079	14/11/2013

Number Block	CP Name	Number Block Type	Allocation Date
7484 2	EE Limited (TM)	071-075 and 077-079	14/11/2013
7484 3	EE Limited (TM)	071-075 and 077-079	14/11/2013
7484 4	EE Limited (TM)	071-075 and 077-079	14/11/2013
7484 5	EE Limited (TM)	071-075 and 077-079	14/11/2013
7484 6	EE Limited (TM)	071-075 and 077-079	14/11/2013
7484 7	EE Limited (TM)	071-075 and 077-079	14/11/2013
7484 8	EE Limited (TM)	071-075 and 077-079	14/11/2013
7484 9	EE Limited (TM)	071-075 and 077-079	14/11/2013
7485 0	EE Limited (TM)	071-075 and 077-079	14/11/2013
7485 1	EE Limited (TM)	071-075 and 077-079	14/11/2013
7485 2	EE Limited (TM)	071-075 and 077-079	14/11/2013
7485 3	EE Limited (TM)	071-075 and 077-079	14/11/2013
7485 4	EE Limited (TM)	071-075 and 077-079	14/11/2013
7485 5	EE Limited (TM)	071-075 and 077-079	14/11/2013
7485 6	EE Limited (TM)	071-075 and 077-079	14/11/2013
7485 7	EE Limited (TM)	071-075 and 077-079	14/11/2013
7485 8	EE Limited (TM)	071-075 and 077-079	14/11/2013
7485 9	EE Limited (TM)	071-075 and 077-079	14/11/2013
7486 0	EE Limited (TM)	071-075 and 077-079	14/11/2013
7486 1	EE Limited (TM)	071-075 and 077-079	14/11/2013
7486 2	EE Limited (TM)	071-075 and 077-079	14/11/2013
7486 3	EE Limited (TM)	071-075 and 077-079	14/11/2013
7486 4	EE Limited (TM)	071-075 and 077-079	14/11/2013
7486 5	EE Limited (TM)	071-075 and 077-079	14/11/2013
7486 6	EE Limited (TM)	071-075 and 077-079	14/11/2013
7486 7	EE Limited (TM)	071-075 and 077-079	14/11/2013
7486 8	EE Limited (TM)	071-075 and 077-079	14/11/2013
7486 9	EE Limited (TM)	071-075 and 077-079	14/11/2013
7487 0	EE Limited (TM)	071-075 and 077-079	14/11/2013
7487 1	EE Limited (TM)	071-075 and 077-079	14/11/2013
7487 2	EE Limited (TM)	071-075 and 077-079	14/11/2013
7487 3	EE Limited (TM)	071-075 and 077-079	14/11/2013
7487 4	EE Limited (TM)	071-075 and 077-079	14/11/2013
7487 5	EE Limited (TM)	071-075 and 077-079	14/11/2013
7487 6	EE Limited (TM)	071-075 and 077-079	14/11/2013
7487 7	EE Limited (TM)	071-075 and 077-079	14/11/2013
7487 8	EE Limited (TM)	071-075 and 077-079	14/11/2013
7487 9	EE Limited (TM)	071-075 and 077-079	14/11/2013
7488 0	Fogg Mobile AB	071-075 and 077-079	04/03/2014
7488 1	The National Cyber Security Centre	071-075 and 077-079	09/02/2015
7488 2	Sky UK Limited	071-075 and 077-079	16/03/2015
7488 3	Sky UK Limited	071-075 and 077-079	16/03/2015
7488 4	Hutchison 3G UK Ltd	071-075 and 077-079	05/08/2015
7488 5	Hutchison 3G UK Ltd	071-075 and 077-079	05/08/2015
7488 6	Lanonyx Telecom Limited	071-075 and 077-079	13/04/2015
7488 7	Hutchison 3G UK Ltd	071-075 and 077-079	05/08/2015
7488 8	Ziron Limited	071-075 and 077-079	09/12/2014
7488 9	Hutchison 3G UK Ltd	071-075 and 077-079	05/08/2015
7489 0	Telefonica UK Limited	071-075 and 077-079	27/03/2014

Number Block	CP Name	Number Block Type	Allocation Date
7489 1	Telefonica UK Limited	071-075 and 077-079	27/03/2014
7489 2	Telefonica UK Limited	071-075 and 077-079	27/03/2014
7489 3	Telefonica UK Limited	071-075 and 077-079	27/03/2014
7489 4	Telefonica UK Limited	071-075 and 077-079	27/03/2014
7489 5	Telefonica UK Limited	071-075 and 077-079	27/03/2014
7489 6	Telefonica UK Limited	071-075 and 077-079	27/03/2014
7489 7	Telefonica UK Limited	071-075 and 077-079	27/03/2014
7489 8	Telefonica UK Limited	071-075 and 077-079	27/03/2014
7489 9	Telefonica UK Limited	071-075 and 077-079	27/03/2014
7490 0	Hutchison 3G UK Ltd	071-075 and 077-079	08/05/2014
7490 1	Hutchison 3G UK Ltd	071-075 and 077-079	08/05/2014
7490 2	Hutchison 3G UK Ltd	071-075 and 077-079	08/05/2014
7490 3	Hutchison 3G UK Ltd	071-075 and 077-079	08/05/2014
7490 4	Hutchison 3G UK Ltd	071-075 and 077-079	08/05/2014
7490 5	Hutchison 3G UK Ltd	071-075 and 077-079	08/05/2014
7490 6	Hutchison 3G UK Ltd	071-075 and 077-079	08/05/2014
7490 7	Hutchison 3G UK Ltd	071-075 and 077-079	08/05/2014
7490 8	Hutchison 3G UK Ltd	071-075 and 077-079	08/05/2014
7490 9	Hutchison 3G UK Ltd	071-075 and 077-079	08/05/2014
7491 0	Hutchison 3G UK Ltd	071-075 and 077-079	08/05/2014
7491 1	Hutchison 3G UK Ltd	071-075 and 077-079	08/05/2014
7491 2	Hutchison 3G UK Ltd	071-075 and 077-079	08/05/2014
7491 3	Hutchison 3G UK Ltd	071-075 and 077-079	08/05/2014
7491 4	Hutchison 3G UK Ltd	071-075 and 077-079	08/05/2014
7491 5	Hutchison 3G UK Ltd	071-075 and 077-079	08/05/2014
7491 6	Hutchison 3G UK Ltd	071-075 and 077-079	08/05/2014
7491 7	Hutchison 3G UK Ltd	071-075 and 077-079	08/05/2014
7491 8	Hutchison 3G UK Ltd	071-075 and 077-079	08/05/2014
7491 9	Hutchison 3G UK Ltd	071-075 and 077-079	08/05/2014
7492 0	Hutchison 3G UK Ltd	071-075 and 077-079	29/05/2014
7492 1	Hutchison 3G UK Ltd	071-075 and 077-079	29/05/2014
7492 2	Hutchison 3G UK Ltd	071-075 and 077-079	29/05/2014
7492 3	Hutchison 3G UK Ltd	071-075 and 077-079	29/05/2014
7492 4	Hutchison 3G UK Ltd	071-075 and 077-079	29/05/2014
7492 5	Hutchison 3G UK Ltd	071-075 and 077-079	29/05/2014
7492 6	Hutchison 3G UK Ltd	071-075 and 077-079	29/05/2014
7492 7	Hutchison 3G UK Ltd	071-075 and 077-079	29/05/2014
7492 8	Hutchison 3G UK Ltd	071-075 and 077-079	29/05/2014
7492 9	Hutchison 3G UK Ltd	071-075 and 077-079	29/05/2014
7493 0	Vodafone Limited	071-075 and 077-079	20/11/2014
7493 1	Vodafone Limited	071-075 and 077-079	20/11/2014
7493 2	Vodafone Limited	071-075 and 077-079	20/11/2014
7493 3	Vodafone Limited	071-075 and 077-079	20/11/2014
7493 4	Vodafone Limited	071-075 and 077-079	20/11/2014
7493 5	Vodafone Limited	071-075 and 077-079	20/11/2014
7493 6	Vodafone Limited	071-075 and 077-079	20/11/2014
7493 7	Vodafone Limited	071-075 and 077-079	20/11/2014
7493 8	Vodafone Limited	071-075 and 077-079	20/11/2014
7493 9	Vodafone Limited	071-075 and 077-079	20/11/2014

Number Block	CP Name	Number Block Type	Allocation Date
7494 0	EE Limited (TM)	071-075 and 077-079	21/08/2014
7494 1	EE Limited (TM)	071-075 and 077-079	21/08/2014
7494 2	EE Limited (TM)	071-075 and 077-079	21/08/2014
7494 3	EE Limited (TM)	071-075 and 077-079	21/08/2014
7494 4	EE Limited (TM)	071-075 and 077-079	21/08/2014
7494 5	EE Limited (TM)	071-075 and 077-079	21/08/2014
7494 6	EE Limited (TM)	071-075 and 077-079	21/08/2014
7494 7	EE Limited (TM)	071-075 and 077-079	21/08/2014
7494 8	EE Limited (TM)	071-075 and 077-079	21/08/2014
7494 9	EE Limited (TM)	071-075 and 077-079	21/08/2014
7495 0	EE Limited (TM)	071-075 and 077-079	21/08/2014
7495 1	EE Limited (TM)	071-075 and 077-079	21/08/2014
7495 2	EE Limited (TM)	071-075 and 077-079	21/08/2014
7495 3	EE Limited (TM)	071-075 and 077-079	21/08/2014
7495 4	EE Limited (TM)	071-075 and 077-079	21/08/2014
7495 5	EE Limited (TM)	071-075 and 077-079	21/08/2014
7495 6	EE Limited (TM)	071-075 and 077-079	21/08/2014
7495 7	EE Limited (TM)	071-075 and 077-079	21/08/2014
7495 8	EE Limited (TM)	071-075 and 077-079	21/08/2014
7495 9	EE Limited (TM)	071-075 and 077-079	21/08/2014
7496 0	EE Limited (TM)	071-075 and 077-079	21/08/2014
7496 1	EE Limited (TM)	071-075 and 077-079	21/08/2014
7496 2	EE Limited (TM)	071-075 and 077-079	21/08/2014
7496 3	EE Limited (TM)	071-075 and 077-079	21/08/2014
7496 4	EE Limited (TM)	071-075 and 077-079	21/08/2014
7496 5	EE Limited (TM)	071-075 and 077-079	21/08/2014
7496 6	EE Limited (TM)	071-075 and 077-079	21/08/2014
7496 7	EE Limited (TM)	071-075 and 077-079	21/08/2014
7496 8	EE Limited (TM)	071-075 and 077-079	21/08/2014
7496 9	EE Limited (TM)	071-075 and 077-079	21/08/2014
7497 0	EE Limited (TM)	071-075 and 077-079	21/08/2014
7497 1	EE Limited (TM)	071-075 and 077-079	21/08/2014
7497 2	EE Limited (TM)	071-075 and 077-079	21/08/2014
7497 3	EE Limited (TM)	071-075 and 077-079	21/08/2014
7497 4	EE Limited (TM)	071-075 and 077-079	21/08/2014
7497 5	EE Limited (TM)	071-075 and 077-079	21/08/2014
7497 6	EE Limited (TM)	071-075 and 077-079	21/08/2014
7497 7	EE Limited (TM)	071-075 and 077-079	21/08/2014
7497 8	EE Limited (TM)	071-075 and 077-079	21/08/2014
7497 9	EE Limited (TM)	071-075 and 077-079	21/08/2014
7498 0	EE Limited (TM)	071-075 and 077-079	21/08/2014
7498 1	EE Limited (TM)	071-075 and 077-079	21/08/2014
7498 2	EE Limited (TM)	071-075 and 077-079	21/08/2014
7498 3	EE Limited (TM)	071-075 and 077-079	21/08/2014
7498 4	EE Limited (TM)	071-075 and 077-079	21/08/2014
7498 5	EE Limited (TM)	071-075 and 077-079	21/08/2014
7498 6	EE Limited (TM)	071-075 and 077-079	21/08/2014
7498 7	EE Limited (TM)	071-075 and 077-079	21/08/2014
7498 8	EE Limited (TM)	071-075 and 077-079	21/08/2014

Number Block	CP Name	Number Block Type	Allocation Date
7498 9	EE Limited (TM)	071-075 and 077-079	21/08/2014
7499 0	Telefonica UK Limited	071-075 and 077-079	05/05/2015
7499 1	Telefonica UK Limited	071-075 and 077-079	05/05/2015
7499 2	Telefonica UK Limited	071-075 and 077-079	05/05/2015
7499 3	Telefonica UK Limited	071-075 and 077-079	05/05/2015
7499 4	Telefonica UK Limited	071-075 and 077-079	05/05/2015
7499 5	Telefonica UK Limited	071-075 and 077-079	05/05/2015
7499 6	Telefonica UK Limited	071-075 and 077-079	05/05/2015
7499 7	Telefonica UK Limited	071-075 and 077-079	05/05/2015
7499 8	Telefonica UK Limited	071-075 and 077-079	05/05/2015
7499 9	Telefonica UK Limited	071-075 and 077-079	05/05/2015
7500 0	Vodafone Limited	071-075 and 077-079	23/10/2006
7500 1	Vodafone Limited	071-075 and 077-079	23/10/2006
7500 2	Vodafone Limited	071-075 and 077-079	23/10/2006
7500 3	Vodafone Limited	071-075 and 077-079	23/10/2006
7500 4	Vodafone Limited	071-075 and 077-079	23/10/2006
7500 5	Vodafone Limited	071-075 and 077-079	23/10/2006
7500 6	Vodafone Limited	071-075 and 077-079	23/10/2006
7500 7	Vodafone Limited	071-075 and 077-079	23/10/2006
7500 8	Vodafone Limited	071-075 and 077-079	23/10/2006
7500 9	Vodafone Limited	071-075 and 077-079	23/10/2006
7501 0	Vodafone Limited	071-075 and 077-079	23/10/2006
7501 1	Vodafone Limited	071-075 and 077-079	23/10/2006
7501 2	Vodafone Limited	071-075 and 077-079	23/10/2006
7501 3	Vodafone Limited	071-075 and 077-079	23/10/2006
7501 4	Vodafone Limited	071-075 and 077-079	23/10/2006
7501 5	Vodafone Limited	071-075 and 077-079	23/10/2006
7501 6	Vodafone Limited	071-075 and 077-079	23/10/2006
7501 7	Vodafone Limited	071-075 and 077-079	23/10/2006
7501 8	Vodafone Limited	071-075 and 077-079	23/10/2006
7501 9	Vodafone Limited	071-075 and 077-079	23/10/2006
7502 0	Vodafone Limited	071-075 and 077-079	23/10/2006
7502 1	Vodafone Limited	071-075 and 077-079	23/10/2006
7502 2	Vodafone Limited	071-075 and 077-079	23/10/2006
7502 3	Vodafone Limited	071-075 and 077-079	23/10/2006
7502 4	Vodafone Limited	071-075 and 077-079	23/10/2006
7502 5	Vodafone Limited	071-075 and 077-079	23/10/2006
7502 6	Vodafone Limited	071-075 and 077-079	23/10/2006
7502 7	Vodafone Limited	071-075 and 077-079	23/10/2006
7502 8	Vodafone Limited	071-075 and 077-079	23/10/2006
7502 9	Vodafone Limited	071-075 and 077-079	23/10/2006
7503 0	Vodafone Limited	071-075 and 077-079	23/10/2006
7503 1	Vodafone Limited	071-075 and 077-079	23/10/2006
7503 2	Vodafone Limited	071-075 and 077-079	23/10/2006
7503 3	Vodafone Limited	071-075 and 077-079	23/10/2006
7503 4	Vodafone Limited	071-075 and 077-079	23/10/2006
7503 5	Vodafone Limited	071-075 and 077-079	23/10/2006
7503 6	Vodafone Limited	071-075 and 077-079	23/10/2006
7503 7	Vodafone Limited	071-075 and 077-079	23/10/2006

Number Block	CP Name	Number Block Type	Allocation Date
7503 8	Vodafone Limited	071-075 and 077-079	23/10/2006
7503 9	Vodafone Limited	071-075 and 077-079	23/10/2006
7504 0	EE Limited (TM)	071-075 and 077-079	16/11/2006
7504 1	EE Limited (TM)	071-075 and 077-079	16/11/2006
7504 2	EE Limited (TM)	071-075 and 077-079	16/11/2006
7504 3	EE Limited (TM)	071-075 and 077-079	16/11/2006
7504 4	EE Limited (TM)	071-075 and 077-079	16/11/2006
7504 5	EE Limited (TM)	071-075 and 077-079	16/11/2006
7504 6	EE Limited (TM)	071-075 and 077-079	16/11/2006
7504 7	EE Limited (TM)	071-075 and 077-079	16/11/2006
7504 8	EE Limited (TM)	071-075 and 077-079	16/11/2006
7504 9	EE Limited (TM)	071-075 and 077-079	16/11/2006
7505 0	EE Limited (TM)	071-075 and 077-079	16/11/2006
7505 1	EE Limited (TM)	071-075 and 077-079	16/11/2006
7505 2	EE Limited (TM)	071-075 and 077-079	16/11/2006
7505 3	EE Limited (TM)	071-075 and 077-079	16/11/2006
7505 4	EE Limited (TM)	071-075 and 077-079	16/11/2006
7505 5	EE Limited (TM)	071-075 and 077-079	16/11/2006
7505 6	EE Limited (TM)	071-075 and 077-079	16/11/2006
7505 7	EE Limited (TM)	071-075 and 077-079	16/11/2006
7505 8	EE Limited (TM)	071-075 and 077-079	16/11/2006
7505 9	EE Limited (TM)	071-075 and 077-079	16/11/2006
7506 0	EE Limited (TM)	071-075 and 077-079	09/01/2007
7506 1	EE Limited (TM)	071-075 and 077-079	09/01/2007
7506 2	EE Limited (TM)	071-075 and 077-079	09/01/2007
7506 3	EE Limited (TM)	071-075 and 077-079	09/01/2007
7506 4	EE Limited (TM)	071-075 and 077-079	09/01/2007
7506 5	EE Limited (TM)	071-075 and 077-079	09/01/2007
7506 6	EE Limited (TM)	071-075 and 077-079	09/01/2007
7506 7	EE Limited (TM)	071-075 and 077-079	09/01/2007
7506 8	EE Limited (TM)	071-075 and 077-079	09/01/2007
7506 9	EE Limited (TM)	071-075 and 077-079	09/01/2007
7507 0	EE Limited (TM)	071-075 and 077-079	09/01/2007
7507 1	EE Limited (TM)	071-075 and 077-079	09/01/2007
7507 2	EE Limited (TM)	071-075 and 077-079	09/01/2007
7507 3	EE Limited (TM)	071-075 and 077-079	09/01/2007
7507 4	EE Limited (TM)	071-075 and 077-079	09/01/2007
7507 5	EE Limited (TM)	071-075 and 077-079	09/01/2007
7507 6	EE Limited (TM)	071-075 and 077-079	09/01/2007
7507 7	EE Limited (TM)	071-075 and 077-079	09/01/2007
7507 8	EE Limited (TM)	071-075 and 077-079	09/01/2007
7507 9	EE Limited (TM)	071-075 and 077-079	09/01/2007
7508 0	EE Limited (TM)	071-075 and 077-079	09/01/2007
7508 1	EE Limited (TM)	071-075 and 077-079	09/01/2007
7508 2	EE Limited (TM)	071-075 and 077-079	09/01/2007
7508 3	EE Limited (TM)	071-075 and 077-079	09/01/2007
7508 4	EE Limited (TM)	071-075 and 077-079	09/01/2007
7508 5	EE Limited (TM)	071-075 and 077-079	09/01/2007
7508 6	EE Limited (TM)	071-075 and 077-079	09/01/2007

Number Block	CP Name	Number Block Type	Allocation Date
7508 7	EE Limited (TM)	071-075 and 077-079	09/01/2007
7508 8	EE Limited (TM)	071-075 and 077-079	09/01/2007
7508 9	EE Limited (TM)	071-075 and 077-079	09/01/2007
7509 0	JT (Jersey) Limited	071-075 and 077-079	17/01/2007
7509 1	JT (Jersey) Limited	071-075 and 077-079	17/01/2007
7509 2	JT (Jersey) Limited	071-075 and 077-079	17/01/2007
7509 3	JT (Jersey) Limited	071-075 and 077-079	02/08/2007
7509 4	JT (Jersey) Limited	071-075 and 077-079	02/08/2007
7509 5	JT (Jersey) Limited	071-075 and 077-079	02/08/2007
7509 6	JT (Jersey) Limited	071-075 and 077-079	24/06/2008
7509 7	JT (Jersey) Limited	071-075 and 077-079	24/06/2008
7510 0	Telefonica UK Limited	071-075 and 077-079	07/11/2006
7510 1	Telefonica UK Limited	071-075 and 077-079	07/11/2006
7510 2	Telefonica UK Limited	071-075 and 077-079	07/11/2006
7510 3	Telefonica UK Limited	071-075 and 077-079	07/11/2006
7510 4	Telefonica UK Limited	071-075 and 077-079	07/11/2006
7510 5	Telefonica UK Limited	071-075 and 077-079	07/11/2006
7510 6	Telefonica UK Limited	071-075 and 077-079	07/11/2006
7510 7	Telefonica UK Limited	071-075 and 077-079	07/11/2006
7510 8	Telefonica UK Limited	071-075 and 077-079	07/11/2006
7510 9	Telefonica UK Limited	071-075 and 077-079	07/11/2006
7511 0	Telefonica UK Limited	071-075 and 077-079	07/11/2006
7511 1	Telefonica UK Limited	071-075 and 077-079	07/11/2006
7511 2	Telefonica UK Limited	071-075 and 077-079	07/11/2006
7511 3	Telefonica UK Limited	071-075 and 077-079	07/11/2006
7511 4	Telefonica UK Limited	071-075 and 077-079	07/11/2006
7511 5	Telefonica UK Limited	071-075 and 077-079	07/11/2006
7511 6	Telefonica UK Limited	071-075 and 077-079	07/11/2006
7511 7	Telefonica UK Limited	071-075 and 077-079	07/11/2006
7511 8	Telefonica UK Limited	071-075 and 077-079	07/11/2006
7511 9	Telefonica UK Limited	071-075 and 077-079	07/11/2006
7512 0	Telefonica UK Limited	071-075 and 077-079	07/11/2006
7512 1	Telefonica UK Limited	071-075 and 077-079	07/11/2006
7512 2	Telefonica UK Limited	071-075 and 077-079	07/11/2006
7512 3	Telefonica UK Limited	071-075 and 077-079	07/11/2006
7512 4	Telefonica UK Limited	071-075 and 077-079	07/11/2006
7512 5	Telefonica UK Limited	071-075 and 077-079	07/11/2006
7512 6	Telefonica UK Limited	071-075 and 077-079	07/11/2006
7512 7	Telefonica UK Limited	071-075 and 077-079	07/11/2006
7512 8	Telefonica UK Limited	071-075 and 077-079	07/11/2006
7512 9	Telefonica UK Limited	071-075 and 077-079	07/11/2006
7513 0	Telefonica UK Limited	071-075 and 077-079	02/02/2007
7513 1	Telefonica UK Limited	071-075 and 077-079	02/02/2007
7513 2	Telefonica UK Limited	071-075 and 077-079	02/02/2007
7513 3	Telefonica UK Limited	071-075 and 077-079	02/02/2007
7513 4	Telefonica UK Limited	071-075 and 077-079	02/02/2007
7513 5	Telefonica UK Limited	071-075 and 077-079	02/02/2007
7513 6	Telefonica UK Limited	071-075 and 077-079	02/02/2007
7513 7	Telefonica UK Limited	071-075 and 077-079	02/02/2007

Number Block	CP Name	Number Block Type	Allocation Date
7518 7	Telefonica UK Limited	071-075 and 077-079	02/02/2007
7518 8	Telefonica UK Limited	071-075 and 077-079	02/02/2007
7518 9	Telefonica UK Limited	071-075 and 077-079	02/02/2007
7519 0	Telefonica UK Limited	071-075 and 077-079	02/02/2007
7519 1	Telefonica UK Limited	071-075 and 077-079	02/02/2007
7519 2	Telefonica UK Limited	071-075 and 077-079	02/02/2007
7519 3	Telefonica UK Limited	071-075 and 077-079	02/02/2007
7519 4	Telefonica UK Limited	071-075 and 077-079	02/02/2007
7519 5	Telefonica UK Limited	071-075 and 077-079	02/02/2007
7519 6	Telefonica UK Limited	071-075 and 077-079	02/02/2007
7519 7	Telefonica UK Limited	071-075 and 077-079	02/02/2007
7519 8	Telefonica UK Limited	071-075 and 077-079	02/02/2007
7519 9	Telefonica UK Limited	071-075 and 077-079	02/02/2007
7520 0	Simwood eSMS Limited	071-075 and 077-079	03/04/2014
7520 1	BT OnePhone Limited	071-075 and 077-079	05/11/2013
7520 2	Vectone Mobile Limited	071-075 and 077-079	11/04/2008
7520 4	Core Communication Services Limited	071-075 and 077-079	05/09/2007
7520 6	Tismi BV	071-075 and 077-079	10/08/2007
7520 7	(AQ) LIMITED	071-075 and 077-079	13/09/2012
7521 0	Telefonica UK Limited	071-075 and 077-079	15/05/2007
7521 1	Telefonica UK Limited	071-075 and 077-079	15/05/2007
7521 2	Telefonica UK Limited	071-075 and 077-079	15/05/2007
7521 3	Telefonica UK Limited	071-075 and 077-079	15/05/2007
7521 4	Telefonica UK Limited	071-075 and 077-079	15/05/2007
7521 5	Telefonica UK Limited	071-075 and 077-079	15/05/2007
7521 6	Telefonica UK Limited	071-075 and 077-079	15/05/2007
7521 7	Telefonica UK Limited	071-075 and 077-079	15/05/2007
7521 8	Telefonica UK Limited	071-075 and 077-079	15/05/2007
7521 9	Telefonica UK Limited	071-075 and 077-079	15/05/2007
7522 0	Telefonica UK Limited	071-075 and 077-079	15/05/2007
7522 1	Telefonica UK Limited	071-075 and 077-079	15/05/2007
7522 2	Telefonica UK Limited	071-075 and 077-079	15/05/2007
7522 3	Telefonica UK Limited	071-075 and 077-079	15/05/2007
7522 4	Telefonica UK Limited	071-075 and 077-079	15/05/2007
7522 5	Telefonica UK Limited	071-075 and 077-079	15/05/2007
7522 6	Telefonica UK Limited	071-075 and 077-079	15/05/2007
7522 7	Telefonica UK Limited	071-075 and 077-079	15/05/2007
7522 8	Telefonica UK Limited	071-075 and 077-079	15/05/2007
7522 9	Telefonica UK Limited	071-075 and 077-079	15/05/2007
7523 0	Telefonica UK Limited	071-075 and 077-079	15/05/2007
7523 1	Telefonica UK Limited	071-075 and 077-079	15/05/2007
7523 2	Telefonica UK Limited	071-075 and 077-079	15/05/2007
7523 3	Telefonica UK Limited	071-075 and 077-079	15/05/2007
7523 4	Telefonica UK Limited	071-075 and 077-079	15/05/2007
7523 5	Telefonica UK Limited	071-075 and 077-079	15/05/2007
7523 6	Telefonica UK Limited	071-075 and 077-079	15/05/2007
7523 7	Telefonica UK Limited	071-075 and 077-079	15/05/2007
7523 8	Telefonica UK Limited	071-075 and 077-079	15/05/2007

Number Block	CP Name	Number Block Type	Allocation Date
7523 9	Telefonica UK Limited	071-075 and 077-079	15/05/2007
7525 0	Telefonica UK Limited	071-075 and 077-079	15/05/2007
7525 1	Telefonica UK Limited	071-075 and 077-079	15/05/2007
7525 2	Telefonica UK Limited	071-075 and 077-079	15/05/2007
7525 3	Telefonica UK Limited	071-075 and 077-079	15/05/2007
7525 4	Telefonica UK Limited	071-075 and 077-079	15/05/2007
7525 5	Telefonica UK Limited	071-075 and 077-079	15/05/2007
7525 6	Telefonica UK Limited	071-075 and 077-079	15/05/2007
7525 7	Telefonica UK Limited	071-075 and 077-079	15/05/2007
7525 8	Telefonica UK Limited	071-075 and 077-079	15/05/2007
7525 9	Telefonica UK Limited	071-075 and 077-079	15/05/2007
7526 0	Telefonica UK Limited	071-075 and 077-079	15/05/2007
7526 1	Telefonica UK Limited	071-075 and 077-079	15/05/2007
7526 2	Telefonica UK Limited	071-075 and 077-079	15/05/2007
7526 3	Telefonica UK Limited	071-075 and 077-079	15/05/2007
7526 4	Telefonica UK Limited	071-075 and 077-079	15/05/2007
7526 5	Telefonica UK Limited	071-075 and 077-079	15/05/2007
7526 6	Telefonica UK Limited	071-075 and 077-079	15/05/2007
7526 7	Telefonica UK Limited	071-075 and 077-079	15/05/2007
7526 8	Telefonica UK Limited	071-075 and 077-079	15/05/2007
7526 9	Telefonica UK Limited	071-075 and 077-079	15/05/2007
7527 0	EE Limited (Orange)	071-075 and 077-079	24/05/2007
7527 1	EE Limited (Orange)	071-075 and 077-079	24/05/2007
7527 2	EE Limited (Orange)	071-075 and 077-079	24/05/2007
7527 3	EE Limited (Orange)	071-075 and 077-079	24/05/2007
7527 4	EE Limited (Orange)	071-075 and 077-079	24/05/2007
7527 5	EE Limited (Orange)	071-075 and 077-079	24/05/2007
7527 6	EE Limited (Orange)	071-075 and 077-079	24/05/2007
7527 7	EE Limited (Orange)	071-075 and 077-079	24/05/2007
7527 8	EE Limited (Orange)	071-075 and 077-079	24/05/2007
7527 9	EE Limited (Orange)	071-075 and 077-079	24/05/2007
7528 0	EE Limited (Orange)	071-075 and 077-079	24/05/2007
7528 1	EE Limited (Orange)	071-075 and 077-079	24/05/2007
7528 2	EE Limited (Orange)	071-075 and 077-079	24/05/2007
7528 3	EE Limited (Orange)	071-075 and 077-079	24/05/2007
7528 4	EE Limited (Orange)	071-075 and 077-079	24/05/2007
7528 5	EE Limited (Orange)	071-075 and 077-079	24/05/2007
7528 6	EE Limited (Orange)	071-075 and 077-079	24/05/2007
7528 7	EE Limited (Orange)	071-075 and 077-079	24/05/2007
7528 8	EE Limited (Orange)	071-075 and 077-079	24/05/2007
7528 9	EE Limited (Orange)	071-075 and 077-079	24/05/2007
7529 0	EE Limited (Orange)	071-075 and 077-079	24/05/2007
7529 1	EE Limited (Orange)	071-075 and 077-079	24/05/2007
7529 2	EE Limited (Orange)	071-075 and 077-079	24/05/2007
7529 3	EE Limited (Orange)	071-075 and 077-079	24/05/2007
7529 4	EE Limited (Orange)	071-075 and 077-079	24/05/2007
7529 5	EE Limited (Orange)	071-075 and 077-079	24/05/2007
7529 6	EE Limited (Orange)	071-075 and 077-079	24/05/2007
7529 7	EE Limited (Orange)	071-075 and 077-079	24/05/2007

Number Block	CP Name	Number Block Type	Allocation Date
7529 8	EE Limited (Orange)	071-075 and 077-079	24/05/2007
7529 9	EE Limited (Orange)	071-075 and 077-079	24/05/2007
7530 0	EE Limited (Orange)	071-075 and 077-079	26/06/2007
7530 1	EE Limited (Orange)	071-075 and 077-079	26/06/2007
7530 2	EE Limited (Orange)	071-075 and 077-079	26/06/2007
7530 3	EE Limited (Orange)	071-075 and 077-079	26/06/2007
7530 4	EE Limited (Orange)	071-075 and 077-079	26/06/2007
7530 5	EE Limited (Orange)	071-075 and 077-079	26/06/2007
7530 6	EE Limited (Orange)	071-075 and 077-079	26/06/2007
7530 7	EE Limited (Orange)	071-075 and 077-079	26/06/2007
7530 8	EE Limited (Orange)	071-075 and 077-079	26/06/2007
7530 9	EE Limited (Orange)	071-075 and 077-079	26/06/2007
7531 0	EE Limited (Orange)	071-075 and 077-079	26/06/2007
7531 1	EE Limited (Orange)	071-075 and 077-079	26/06/2007
7531 2	EE Limited (Orange)	071-075 and 077-079	26/06/2007
7531 3	EE Limited (Orange)	071-075 and 077-079	26/06/2007
7531 4	EE Limited (Orange)	071-075 and 077-079	26/06/2007
7531 5	EE Limited (Orange)	071-075 and 077-079	26/06/2007
7531 6	EE Limited (Orange)	071-075 and 077-079	26/06/2007
7531 7	EE Limited (Orange)	071-075 and 077-079	26/06/2007
7531 8	EE Limited (Orange)	071-075 and 077-079	26/06/2007
7531 9	EE Limited (Orange)	071-075 and 077-079	26/06/2007
7532 0	EE Limited (Orange)	071-075 and 077-079	26/06/2007
7532 1	EE Limited (Orange)	071-075 and 077-079	26/06/2007
7532 2	EE Limited (Orange)	071-075 and 077-079	26/06/2007
7532 3	EE Limited (Orange)	071-075 and 077-079	26/06/2007
7532 4	EE Limited (Orange)	071-075 and 077-079	26/06/2007
7532 6	Hutchison 3G UK Ltd	071-075 and 077-079	05/08/2015
7532 7	Hutchison 3G UK Ltd	071-075 and 077-079	05/08/2015
7532 8	Hutchison 3G UK Ltd	071-075 and 077-079	05/08/2015
7532 9	Mobiweb Telecom Limited	071-075 and 077-079	16/03/2015
7533 0	Hutchison 3G UK Ltd	071-075 and 077-079	20/11/2006
7533 1	Hutchison 3G UK Ltd	071-075 and 077-079	20/11/2006
7533 2	Hutchison 3G UK Ltd	071-075 and 077-079	20/11/2006
7533 3	Hutchison 3G UK Ltd	071-075 and 077-079	20/11/2006
7533 4	Hutchison 3G UK Ltd	071-075 and 077-079	20/11/2006
7533 5	Hutchison 3G UK Ltd	071-075 and 077-079	20/11/2006
7533 6	Hutchison 3G UK Ltd	071-075 and 077-079	20/11/2006
7533 7	Hutchison 3G UK Ltd	071-075 and 077-079	20/11/2006
7533 8	Hutchison 3G UK Ltd	071-075 and 077-079	20/11/2006
7533 9	Hutchison 3G UK Ltd	071-075 and 077-079	20/11/2006
7534 0	EE Limited (TM)	071-075 and 077-079	29/06/2007
7534 1	EE Limited (TM)	071-075 and 077-079	29/06/2007
7534 2	EE Limited (TM)	071-075 and 077-079	29/06/2007
7534 3	EE Limited (TM)	071-075 and 077-079	29/06/2007
7534 4	EE Limited (TM)	071-075 and 077-079	29/06/2007
7534 5	EE Limited (TM)	071-075 and 077-079	29/06/2007
7534 6	EE Limited (TM)	071-075 and 077-079	29/06/2007
7534 7	EE Limited (TM)	071-075 and 077-079	29/06/2007

Number Block	CP Name	Number Block Type	Allocation Date
7534 8	EE Limited (TM)	071-075 and 077-079	29/06/2007
7534 9	EE Limited (TM)	071-075 and 077-079	29/06/2007
7535 0	EE Limited (TM)	071-075 and 077-079	29/06/2007
7535 1	EE Limited (TM)	071-075 and 077-079	29/06/2007
7535 2	EE Limited (TM)	071-075 and 077-079	29/06/2007
7535 3	EE Limited (TM)	071-075 and 077-079	29/06/2007
7535 4	EE Limited (TM)	071-075 and 077-079	29/06/2007
7535 5	EE Limited (TM)	071-075 and 077-079	29/06/2007
7535 6	EE Limited (TM)	071-075 and 077-079	29/06/2007
7535 7	EE Limited (TM)	071-075 and 077-079	29/06/2007
7535 8	EE Limited (TM)	071-075 and 077-079	29/06/2007
7535 9	EE Limited (TM)	071-075 and 077-079	29/06/2007
7536 0	EE Limited (Orange)	071-075 and 077-079	03/07/2007
7536 1	EE Limited (Orange)	071-075 and 077-079	03/07/2007
7536 2	EE Limited (Orange)	071-075 and 077-079	03/07/2007
7536 3	EE Limited (Orange)	071-075 and 077-079	03/07/2007
7536 4	EE Limited (Orange)	071-075 and 077-079	03/07/2007
7536 5	EE Limited (Orange)	071-075 and 077-079	03/07/2007
7536 6	EE Limited (Orange)	071-075 and 077-079	03/07/2007
7536 7	EE Limited (Orange)	071-075 and 077-079	03/07/2007
7536 8	EE Limited (Orange)	071-075 and 077-079	03/07/2007
7536 9	EE Limited (Orange)	071-075 and 077-079	03/07/2007
7537 1	Stour Marine Limited	071-075 and 077-079	18/10/2007
7537 3	Swiftnet Ltd	071-075 and 077-079	23/04/2008
7537 4	Vodafone Limited	071-075 and 077-079	02/05/2008
7537 6	Sound Advertising Ltd	071-075 and 077-079	30/07/2008
7537 7	CFL Communications Ltd	071-075 and 077-079	22/07/2008
7537 8	Hutchison 3G UK Ltd	071-075 and 077-079	05/08/2015
7537 9	Hutchison 3G UK Ltd	071-075 and 077-079	05/08/2015
7538 0	EE Limited (TM)	071-075 and 077-079	09/11/2007
7538 1	EE Limited (TM)	071-075 and 077-079	09/11/2007
7538 2	EE Limited (TM)	071-075 and 077-079	09/11/2007
7538 3	EE Limited (TM)	071-075 and 077-079	09/11/2007
7538 4	EE Limited (TM)	071-075 and 077-079	09/11/2007
7538 5	EE Limited (TM)	071-075 and 077-079	09/11/2007
7538 6	EE Limited (TM)	071-075 and 077-079	09/11/2007
7538 7	EE Limited (TM)	071-075 and 077-079	09/11/2007
7538 8	EE Limited (TM)	071-075 and 077-079	09/11/2007
7538 9	EE Limited (TM)	071-075 and 077-079	09/11/2007
7539 0	EE Limited (TM)	071-075 and 077-079	09/11/2007
7539 1	EE Limited (TM)	071-075 and 077-079	09/11/2007
7539 2	EE Limited (TM)	071-075 and 077-079	09/11/2007
7539 3	EE Limited (TM)	071-075 and 077-079	09/11/2007
7539 4	EE Limited (TM)	071-075 and 077-079	09/11/2007
7539 5	EE Limited (TM)	071-075 and 077-079	09/11/2007
7539 6	EE Limited (TM)	071-075 and 077-079	09/11/2007
7539 7	EE Limited (TM)	071-075 and 077-079	09/11/2007
7539 8	EE Limited (TM)	071-075 and 077-079	09/11/2007
7539 9	EE Limited (TM)	071-075 and 077-079	09/11/2007

Number Block	CP Name	Number Block Type	Allocation Date
7549 8	Telefonica UK Limited	071-075 and 077-079	12/10/2007
7549 9	Telefonica UK Limited	071-075 and 077-079	12/10/2007
7550 0	EE Limited (TM)	071-075 and 077-079	09/11/2007
7550 1	EE Limited (TM)	071-075 and 077-079	09/11/2007
7550 2	EE Limited (TM)	071-075 and 077-079	09/11/2007
7550 3	EE Limited (TM)	071-075 and 077-079	09/11/2007
7550 4	EE Limited (TM)	071-075 and 077-079	09/11/2007
7550 5	EE Limited (TM)	071-075 and 077-079	09/11/2007
7550 6	EE Limited (TM)	071-075 and 077-079	09/11/2007
7550 7	EE Limited (TM)	071-075 and 077-079	09/11/2007
7550 8	EE Limited (TM)	071-075 and 077-079	09/11/2007
7550 9	EE Limited (TM)	071-075 and 077-079	09/11/2007
7551 0	Vodafone Limited	071-075 and 077-079	13/12/2007
7551 1	Vodafone Limited	071-075 and 077-079	13/12/2007
7551 2	Vodafone Limited	071-075 and 077-079	13/12/2007
7551 3	Vodafone Limited	071-075 and 077-079	13/12/2007
7551 4	Vodafone Limited	071-075 and 077-079	13/12/2007
7551 5	Vodafone Limited	071-075 and 077-079	13/12/2007
7551 6	Vodafone Limited	071-075 and 077-079	13/12/2007
7551 7	Vodafone Limited	071-075 and 077-079	13/12/2007
7551 8	Vodafone Limited	071-075 and 077-079	13/12/2007
7551 9	Vodafone Limited	071-075 and 077-079	13/12/2007
7552 0	Vodafone Limited	071-075 and 077-079	13/12/2007
7552 1	Vodafone Limited	071-075 and 077-079	13/12/2007
7552 2	Vodafone Limited	071-075 and 077-079	13/12/2007
7552 3	Vodafone Limited	071-075 and 077-079	13/12/2007
7552 4	Vodafone Limited	071-075 and 077-079	13/12/2007
7552 5	Vodafone Limited	071-075 and 077-079	13/12/2007
7552 6	Vodafone Limited	071-075 and 077-079	13/12/2007
7552 7	Vodafone Limited	071-075 and 077-079	13/12/2007
7552 8	Vodafone Limited	071-075 and 077-079	13/12/2007
7552 9	Vodafone Limited	071-075 and 077-079	13/12/2007
7553 0	Vodafone Limited	071-075 and 077-079	13/12/2007
7553 1	Vodafone Limited	071-075 and 077-079	13/12/2007
7553 2	Vodafone Limited	071-075 and 077-079	13/12/2007
7553 3	Vodafone Limited	071-075 and 077-079	13/12/2007
7553 4	Vodafone Limited	071-075 and 077-079	13/12/2007
7553 5	Vodafone Limited	071-075 and 077-079	13/12/2007
7553 6	Vodafone Limited	071-075 and 077-079	13/12/2007
7553 7	Vodafone Limited	071-075 and 077-079	13/12/2007
7553 8	Vodafone Limited	071-075 and 077-079	13/12/2007
7553 9	Vodafone Limited	071-075 and 077-079	13/12/2007
7554 0	Vodafone Limited	071-075 and 077-079	13/12/2007
7554 1	Vodafone Limited	071-075 and 077-079	13/12/2007
7554 2	Vodafone Limited	071-075 and 077-079	13/12/2007
7554 3	Vodafone Limited	071-075 and 077-079	13/12/2007
7554 4	Vodafone Limited	071-075 and 077-079	13/12/2007
7554 5	Vodafone Limited	071-075 and 077-079	13/12/2007
7554 6	Vodafone Limited	071-075 and 077-079	13/12/2007

Number Block	CP Name	Number Block Type	Allocation Date
7554 7	Vodafone Limited	071-075 and 077-079	13/12/2007
7554 8	Vodafone Limited	071-075 and 077-079	13/12/2007
7554 9	Vodafone Limited	071-075 and 077-079	13/12/2007
7555 0	Vodafone Limited	071-075 and 077-079	06/05/2008
7555 1	Vodafone Limited	071-075 and 077-079	06/05/2008
7555 2	Vodafone Limited	071-075 and 077-079	06/05/2008
7555 3	Vodafone Limited	071-075 and 077-079	06/05/2008
7555 4	Vodafone Limited	071-075 and 077-079	06/05/2008
7555 5	Vodafone Limited	071-075 and 077-079	06/05/2008
7555 6	Vodafone Limited	071-075 and 077-079	06/05/2008
7555 7	Vodafone Limited	071-075 and 077-079	06/05/2008
7555 8	Vodafone Limited	071-075 and 077-079	06/05/2008
7555 9	Vodafone Limited	071-075 and 077-079	06/05/2008
7556 0	EE Limited (Orange)	071-075 and 077-079	01/04/2008
7556 1	EE Limited (Orange)	071-075 and 077-079	01/04/2008
7556 2	EE Limited (Orange)	071-075 and 077-079	01/04/2008
7556 3	EE Limited (Orange)	071-075 and 077-079	01/04/2008
7556 4	EE Limited (Orange)	071-075 and 077-079	01/04/2008
7556 5	EE Limited (Orange)	071-075 and 077-079	01/04/2008
7556 6	EE Limited (Orange)	071-075 and 077-079	01/04/2008
7556 7	EE Limited (Orange)	071-075 and 077-079	01/04/2008
7556 8	EE Limited (Orange)	071-075 and 077-079	01/04/2008
7556 9	EE Limited (Orange)	071-075 and 077-079	01/04/2008
7557 0	Vodafone Limited	071-075 and 077-079	23/07/2009
7557 1	Vodafone Limited	071-075 and 077-079	23/07/2009
7557 2	Vodafone Limited	071-075 and 077-079	23/07/2009
7557 3	Vodafone Limited	071-075 and 077-079	23/07/2009
7557 4	Vodafone Limited	071-075 and 077-079	23/07/2009
7557 5	Vodafone Limited	071-075 and 077-079	23/07/2009
7557 6	Vodafone Limited	071-075 and 077-079	23/07/2009
7557 7	Vodafone Limited	071-075 and 077-079	23/07/2009
7557 8	Vodafone Limited	071-075 and 077-079	23/07/2009
7557 9	Vodafone Limited	071-075 and 077-079	23/07/2009
7558 0	Mobile FX Services Ltd	071-075 and 077-079	24/08/2015
7558 8	WIRELESS LOGIC LIMITED	071-075 and 077-079	12/04/2022
7559 0	Mars Communications Limited	071-075 and 077-079	22/07/2008
7559 2	IPV6 Limited	071-075 and 077-079	06/05/2009
7559 4	Truphone Ltd	071-075 and 077-079	03/06/2009
7559 5	Confabulate Limited	071-075 and 077-079	06/10/2008
7559 6	Lleida.net Serveis Telematics Limited	071-075 and 077-079	02/07/2009
7559 7	Core Telecom Limited	071-075 and 077-079	03/02/2009
7559 8	Nodemax Limited	071-075 and 077-079	16/12/2008
7559 9	Resilient PLC	071-075 and 077-079	10/06/2008
7560 0	Telefonica UK Limited	071-075 and 077-079	14/03/2008
7560 1	Telefonica UK Limited	071-075 and 077-079	14/03/2008
7560 2	Telefonica UK Limited	071-075 and 077-079	14/03/2008
7560 3	Telefonica UK Limited	071-075 and 077-079	14/03/2008
7560 4	Telefonica UK Limited	071-075 and 077-079	14/03/2008

Number Block	CP Name	Number Block Type	Allocation Date
7565 4	Telefonica UK Limited	071-075 and 077-079	25/03/2008
7565 5	Telefonica UK Limited	071-075 and 077-079	25/03/2008
7565 6	Telefonica UK Limited	071-075 and 077-079	25/03/2008
7565 7	Telefonica UK Limited	071-075 and 077-079	25/03/2008
7565 8	Telefonica UK Limited	071-075 and 077-079	25/03/2008
7565 9	Telefonica UK Limited	071-075 and 077-079	25/03/2008
7566 0	Telefonica UK Limited	071-075 and 077-079	11/03/2009
7566 1	Telefonica UK Limited	071-075 and 077-079	11/03/2009
7566 2	Telefonica UK Limited	071-075 and 077-079	11/03/2009
7566 3	Telefonica UK Limited	071-075 and 077-079	11/03/2009
7566 4	Telefonica UK Limited	071-075 and 077-079	11/03/2009
7566 5	Telefonica UK Limited	071-075 and 077-079	11/03/2009
7566 6	Telefonica UK Limited	071-075 and 077-079	11/03/2009
7566 7	Telefonica UK Limited	071-075 and 077-079	11/03/2009
7566 8	Telefonica UK Limited	071-075 and 077-079	11/03/2009
7566 9	Telefonica UK Limited	071-075 and 077-079	11/03/2009
7567 0	Telefonica UK Limited	071-075 and 077-079	11/03/2009
7567 1	Telefonica UK Limited	071-075 and 077-079	11/03/2009
7567 2	Telefonica UK Limited	071-075 and 077-079	11/03/2009
7567 3	Telefonica UK Limited	071-075 and 077-079	11/03/2009
7567 4	Telefonica UK Limited	071-075 and 077-079	11/03/2009
7567 5	Telefonica UK Limited	071-075 and 077-079	11/03/2009
7567 6	Telefonica UK Limited	071-075 and 077-079	11/03/2009
7567 7	Telefonica UK Limited	071-075 and 077-079	11/03/2009
7567 8	Telefonica UK Limited	071-075 and 077-079	11/03/2009
7567 9	Telefonica UK Limited	071-075 and 077-079	11/03/2009
7568 0	Telefonica UK Limited	071-075 and 077-079	25/08/2009
7568 1	Telefonica UK Limited	071-075 and 077-079	25/08/2009
7568 2	Telefonica UK Limited	071-075 and 077-079	25/08/2009
7568 3	Telefonica UK Limited	071-075 and 077-079	25/08/2009
7568 4	Telefonica UK Limited	071-075 and 077-079	25/08/2009
7568 5	Telefonica UK Limited	071-075 and 077-079	25/08/2009
7568 6	Telefonica UK Limited	071-075 and 077-079	25/08/2009
7568 7	Telefonica UK Limited	071-075 and 077-079	25/08/2009
7568 8	Telefonica UK Limited	071-075 and 077-079	25/08/2009
7568 9	Telefonica UK Limited	071-075 and 077-079	25/08/2009
7569 0	Telefonica UK Limited	071-075 and 077-079	25/08/2009
7569 1	Telefonica UK Limited	071-075 and 077-079	25/08/2009
7569 2	Telefonica UK Limited	071-075 and 077-079	25/08/2009
7569 3	Telefonica UK Limited	071-075 and 077-079	25/08/2009
7569 4	Telefonica UK Limited	071-075 and 077-079	25/08/2009
7569 5	Telefonica UK Limited	071-075 and 077-079	25/08/2009
7569 6	Telefonica UK Limited	071-075 and 077-079	25/08/2009
7569 7	Telefonica UK Limited	071-075 and 077-079	25/08/2009
7569 8	Telefonica UK Limited	071-075 and 077-079	25/08/2009
7569 9	Telefonica UK Limited	071-075 and 077-079	25/08/2009
7570 0	Vodafone Limited	071-075 and 077-079	05/08/2008
7570 1	Vodafone Limited	071-075 and 077-079	05/08/2008
7570 2	Vodafone Limited	071-075 and 077-079	05/08/2008

Number Block	CP Name	Number Block Type	Allocation Date
7570 3	Vodafone Limited	071-075 and 077-079	05/08/2008
7570 4	Vodafone Limited	071-075 and 077-079	05/08/2008
7570 5	Vodafone Limited	071-075 and 077-079	05/08/2008
7570 6	Vodafone Limited	071-075 and 077-079	05/08/2008
7570 7	Vodafone Limited	071-075 and 077-079	05/08/2008
7570 8	Vodafone Limited	071-075 and 077-079	05/08/2008
7570 9	Vodafone Limited	071-075 and 077-079	05/08/2008
7572 0	EE Limited (TM)	071-075 and 077-079	19/09/2008
7572 1	EE Limited (TM)	071-075 and 077-079	19/09/2008
7572 2	EE Limited (TM)	071-075 and 077-079	19/09/2008
7572 3	EE Limited (TM)	071-075 and 077-079	19/09/2008
7572 4	EE Limited (TM)	071-075 and 077-079	19/09/2008
7572 5	EE Limited (TM)	071-075 and 077-079	19/09/2008
7572 6	EE Limited (TM)	071-075 and 077-079	19/09/2008
7572 7	EE Limited (TM)	071-075 and 077-079	19/09/2008
7572 8	EE Limited (TM)	071-075 and 077-079	19/09/2008
7572 9	EE Limited (TM)	071-075 and 077-079	19/09/2008
7573 0	EE Limited (TM)	071-075 and 077-079	19/09/2008
7573 1	EE Limited (TM)	071-075 and 077-079	19/09/2008
7573 2	EE Limited (TM)	071-075 and 077-079	19/09/2008
7573 3	EE Limited (TM)	071-075 and 077-079	19/09/2008
7573 4	EE Limited (TM)	071-075 and 077-079	19/09/2008
7573 5	EE Limited (TM)	071-075 and 077-079	19/09/2008
7573 6	EE Limited (TM)	071-075 and 077-079	19/09/2008
7573 7	EE Limited (TM)	071-075 and 077-079	19/09/2008
7573 8	EE Limited (TM)	071-075 and 077-079	19/09/2008
7573 9	EE Limited (TM)	071-075 and 077-079	19/09/2008
7574 0	EE Limited (TM)	071-075 and 077-079	19/09/2008
7574 1	EE Limited (TM)	071-075 and 077-079	19/09/2008
7574 2	EE Limited (TM)	071-075 and 077-079	19/09/2008
7574 3	EE Limited (TM)	071-075 and 077-079	19/09/2008
7574 4	EE Limited (TM)	071-075 and 077-079	19/09/2008
7574 5	EE Limited (TM)	071-075 and 077-079	19/09/2008
7574 6	EE Limited (TM)	071-075 and 077-079	19/09/2008
7574 7	EE Limited (TM)	071-075 and 077-079	19/09/2008
7574 8	EE Limited (TM)	071-075 and 077-079	19/09/2008
7574 9	EE Limited (TM)	071-075 and 077-079	19/09/2008
7575 0	Hutchison 3G UK Ltd	071-075 and 077-079	10/12/2008
7575 1	Hutchison 3G UK Ltd	071-075 and 077-079	10/12/2008
7575 2	Hutchison 3G UK Ltd	071-075 and 077-079	10/12/2008
7575 3	Hutchison 3G UK Ltd	071-075 and 077-079	10/12/2008
7575 4	Hutchison 3G UK Ltd	071-075 and 077-079	10/12/2008
7575 5	Hutchison 3G UK Ltd	071-075 and 077-079	10/12/2008
7575 6	Hutchison 3G UK Ltd	071-075 and 077-079	10/12/2008
7575 7	Hutchison 3G UK Ltd	071-075 and 077-079	10/12/2008
7575 8	Hutchison 3G UK Ltd	071-075 and 077-079	10/12/2008
7575 9	Hutchison 3G UK Ltd	071-075 and 077-079	10/12/2008
7576 0	Hutchison 3G UK Ltd	071-075 and 077-079	10/12/2008
7576 1	Hutchison 3G UK Ltd	071-075 and 077-079	10/12/2008

Number Block	CP Name	Number Block Type	Allocation Date
7576 2	Hutchison 3G UK Ltd	071-075 and 077-079	10/12/2008
7576 3	Hutchison 3G UK Ltd	071-075 and 077-079	10/12/2008
7576 4	Hutchison 3G UK Ltd	071-075 and 077-079	10/12/2008
7576 5	Hutchison 3G UK Ltd	071-075 and 077-079	10/12/2008
7576 6	Hutchison 3G UK Ltd	071-075 and 077-079	10/12/2008
7576 7	Hutchison 3G UK Ltd	071-075 and 077-079	10/12/2008
7576 8	Hutchison 3G UK Ltd	071-075 and 077-079	10/12/2008
7576 9	Hutchison 3G UK Ltd	071-075 and 077-079	10/12/2008
7577 0	Hutchison 3G UK Ltd	071-075 and 077-079	10/12/2008
7577 1	Hutchison 3G UK Ltd	071-075 and 077-079	10/12/2008
7577 2	Hutchison 3G UK Ltd	071-075 and 077-079	10/12/2008
7577 3	Hutchison 3G UK Ltd	071-075 and 077-079	10/12/2008
7577 4	Hutchison 3G UK Ltd	071-075 and 077-079	10/12/2008
7577 5	Hutchison 3G UK Ltd	071-075 and 077-079	10/12/2008
7577 6	Hutchison 3G UK Ltd	071-075 and 077-079	10/12/2008
7577 7	Hutchison 3G UK Ltd	071-075 and 077-079	10/12/2008
7577 8	Hutchison 3G UK Ltd	071-075 and 077-079	10/12/2008
7577 9	Hutchison 3G UK Ltd	071-075 and 077-079	10/12/2008
7578 0	Hutchison 3G UK Ltd	071-075 and 077-079	10/12/2008
7578 1	Hutchison 3G UK Ltd	071-075 and 077-079	10/12/2008
7578 2	Hutchison 3G UK Ltd	071-075 and 077-079	10/12/2008
7578 3	Hutchison 3G UK Ltd	071-075 and 077-079	10/12/2008
7578 4	Hutchison 3G UK Ltd	071-075 and 077-079	10/12/2008
7578 5	Hutchison 3G UK Ltd	071-075 and 077-079	10/12/2008
7578 6	Hutchison 3G UK Ltd	071-075 and 077-079	10/12/2008
7578 7	Hutchison 3G UK Ltd	071-075 and 077-079	10/12/2008
7578 8	Hutchison 3G UK Ltd	071-075 and 077-079	10/12/2008
7578 9	Hutchison 3G UK Ltd	071-075 and 077-079	10/12/2008
7579 0	EE Limited (Orange)	071-075 and 077-079	06/01/2009
7579 1	EE Limited (Orange)	071-075 and 077-079	06/01/2009
7579 2	EE Limited (Orange)	071-075 and 077-079	06/01/2009
7579 3	EE Limited (Orange)	071-075 and 077-079	06/01/2009
7579 4	EE Limited (Orange)	071-075 and 077-079	06/01/2009
7579 5	EE Limited (Orange)	071-075 and 077-079	06/01/2009
7579 6	EE Limited (Orange)	071-075 and 077-079	06/01/2009
7579 7	EE Limited (Orange)	071-075 and 077-079	06/01/2009
7579 8	EE Limited (Orange)	071-075 and 077-079	06/01/2009
7579 9	EE Limited (Orange)	071-075 and 077-079	06/01/2009
7580 0	EE Limited (Orange)	071-075 and 077-079	06/01/2009
7580 1	EE Limited (Orange)	071-075 and 077-079	06/01/2009
7580 2	EE Limited (Orange)	071-075 and 077-079	06/01/2009
7580 3	EE Limited (Orange)	071-075 and 077-079	06/01/2009
7580 4	EE Limited (Orange)	071-075 and 077-079	06/01/2009
7580 5	EE Limited (Orange)	071-075 and 077-079	06/01/2009
7580 6	EE Limited (Orange)	071-075 and 077-079	06/01/2009
7580 7	EE Limited (Orange)	071-075 and 077-079	06/01/2009
7580 8	EE Limited (Orange)	071-075 and 077-079	06/01/2009
7580 9	EE Limited (Orange)	071-075 and 077-079	06/01/2009
7581 0	EE Limited (Orange)	071-075 and 077-079	06/01/2009

Number Block	CP Name	Number Block Type	Allocation Date
7581 1	EE Limited (Orange)	071-075 and 077-079	06/01/2009
7581 2	EE Limited (Orange)	071-075 and 077-079	06/01/2009
7581 3	EE Limited (Orange)	071-075 and 077-079	06/01/2009
7581 4	EE Limited (Orange)	071-075 and 077-079	06/01/2009
7581 5	EE Limited (Orange)	071-075 and 077-079	06/01/2009
7581 6	EE Limited (Orange)	071-075 and 077-079	06/01/2009
7581 7	EE Limited (Orange)	071-075 and 077-079	06/01/2009
7581 8	EE Limited (Orange)	071-075 and 077-079	06/01/2009
7581 9	EE Limited (Orange)	071-075 and 077-079	06/01/2009
7582 0	EE Limited (Orange)	071-075 and 077-079	06/01/2009
7582 1	EE Limited (Orange)	071-075 and 077-079	06/01/2009
7582 2	EE Limited (Orange)	071-075 and 077-079	06/01/2009
7582 3	EE Limited (Orange)	071-075 and 077-079	06/01/2009
7582 4	EE Limited (Orange)	071-075 and 077-079	06/01/2009
7582 5	EE Limited (Orange)	071-075 and 077-079	06/01/2009
7582 6	EE Limited (Orange)	071-075 and 077-079	06/01/2009
7582 7	EE Limited (Orange)	071-075 and 077-079	06/01/2009
7582 8	EE Limited (Orange)	071-075 and 077-079	06/01/2009
7582 9	EE Limited (Orange)	071-075 and 077-079	06/01/2009
7583 0	EE Limited (Orange)	071-075 and 077-079	06/01/2009
7583 1	EE Limited (Orange)	071-075 and 077-079	06/01/2009
7583 2	EE Limited (Orange)	071-075 and 077-079	06/01/2009
7583 3	EE Limited (Orange)	071-075 and 077-079	06/01/2009
7583 4	EE Limited (Orange)	071-075 and 077-079	06/01/2009
7583 5	EE Limited (Orange)	071-075 and 077-079	06/01/2009
7583 6	EE Limited (Orange)	071-075 and 077-079	06/01/2009
7583 7	EE Limited (Orange)	071-075 and 077-079	06/01/2009
7583 8	EE Limited (Orange)	071-075 and 077-079	06/01/2009
7583 9	EE Limited (Orange)	071-075 and 077-079	06/01/2009
7584 0	Vodafone Limited	071-075 and 077-079	18/02/2009
7584 1	Vodafone Limited	071-075 and 077-079	18/02/2009
7584 2	Vodafone Limited	071-075 and 077-079	18/02/2009
7584 3	Vodafone Limited	071-075 and 077-079	18/02/2009
7584 4	Vodafone Limited	071-075 and 077-079	18/02/2009
7584 5	Vodafone Limited	071-075 and 077-079	18/02/2009
7584 6	Vodafone Limited	071-075 and 077-079	18/02/2009
7584 7	Vodafone Limited	071-075 and 077-079	18/02/2009
7584 8	Vodafone Limited	071-075 and 077-079	18/02/2009
7584 9	Vodafone Limited	071-075 and 077-079	18/02/2009
7585 0	Vodafone Limited	071-075 and 077-079	28/04/2009
7585 1	Vodafone Limited	071-075 and 077-079	28/04/2009
7585 2	Vodafone Limited	071-075 and 077-079	28/04/2009
7585 3	Vodafone Limited	071-075 and 077-079	28/04/2009
7585 4	Vodafone Limited	071-075 and 077-079	28/04/2009
7585 5	Vodafone Limited	071-075 and 077-079	28/04/2009
7585 6	Vodafone Limited	071-075 and 077-079	28/04/2009
7585 7	Vodafone Limited	071-075 and 077-079	28/04/2009
7585 8	Vodafone Limited	071-075 and 077-079	28/04/2009
7585 9	Vodafone Limited	071-075 and 077-079	28/04/2009

Number Block	CP Name	Number Block Type	Allocation Date
7586 0	Vodafone Limited	071-075 and 077-079	28/04/2009
7586 1	Vodafone Limited	071-075 and 077-079	28/04/2009
7586 2	Vodafone Limited	071-075 and 077-079	28/04/2009
7586 3	Vodafone Limited	071-075 and 077-079	28/04/2009
7586 4	Vodafone Limited	071-075 and 077-079	28/04/2009
7586 5	Vodafone Limited	071-075 and 077-079	28/04/2009
7586 6	Vodafone Limited	071-075 and 077-079	28/04/2009
7586 7	Vodafone Limited	071-075 and 077-079	28/04/2009
7586 8	Vodafone Limited	071-075 and 077-079	28/04/2009
7586 9	Vodafone Limited	071-075 and 077-079	28/04/2009
7587 0	Vodafone Limited	071-075 and 077-079	28/04/2009
7587 1	Vodafone Limited	071-075 and 077-079	28/04/2009
7587 2	Vodafone Limited	071-075 and 077-079	28/04/2009
7587 3	Vodafone Limited	071-075 and 077-079	28/04/2009
7587 4	Vodafone Limited	071-075 and 077-079	28/04/2009
7587 5	Vodafone Limited	071-075 and 077-079	28/04/2009
7587 6	Vodafone Limited	071-075 and 077-079	28/04/2009
7587 7	Vodafone Limited	071-075 and 077-079	28/04/2009
7587 8	Vodafone Limited	071-075 and 077-079	28/04/2009
7587 9	Vodafone Limited	071-075 and 077-079	28/04/2009
7588 0	Hutchison 3G UK Ltd	071-075 and 077-079	20/11/2006
7588 1	Hutchison 3G UK Ltd	071-075 and 077-079	20/11/2006
7588 2	Hutchison 3G UK Ltd	071-075 and 077-079	20/11/2006
7588 3	Hutchison 3G UK Ltd	071-075 and 077-079	20/11/2006
7588 4	Hutchison 3G UK Ltd	071-075 and 077-079	20/11/2006
7588 5	Hutchison 3G UK Ltd	071-075 and 077-079	20/11/2006
7588 6	Hutchison 3G UK Ltd	071-075 and 077-079	20/11/2006
7588 7	Hutchison 3G UK Ltd	071-075 and 077-079	20/11/2006
7588 8	Hutchison 3G UK Ltd	071-075 and 077-079	20/11/2006
7588 9	Hutchison 3G UK Ltd	071-075 and 077-079	20/11/2006
7589 1	Dynamic Mobile Billing Limited	071-075 and 077-079	06/08/2009
7589 2	Dynamic Mobile Billing Limited	071-075 and 077-079	06/08/2009
7589 3	Dynamic Mobile Billing Limited	071-075 and 077-079	06/08/2009
7589 4	Vectone Mobile Limited	071-075 and 077-079	14/09/2009
7589 5	Vectone Mobile Limited	071-075 and 077-079	14/09/2009
7589 6	Vectone Mobile Limited	071-075 and 077-079	14/09/2009
7589 7	Vectone Mobile Limited	071-075 and 077-079	14/09/2009
7589 8	Sark Telecom B.V.	071-075 and 077-079	30/11/2009
7590 0	Telefonica UK Limited	071-075 and 077-079	27/07/2007
7590 1	Telefonica UK Limited	071-075 and 077-079	27/07/2007
7590 2	Telefonica UK Limited	071-075 and 077-079	27/07/2007
7590 3	Telefonica UK Limited	071-075 and 077-079	27/07/2007
7590 4	Telefonica UK Limited	071-075 and 077-079	27/07/2007
7590 5	Telefonica UK Limited	071-075 and 077-079	27/07/2007
7590 6	Telefonica UK Limited	071-075 and 077-079	27/07/2007
7590 7	Telefonica UK Limited	071-075 and 077-079	27/07/2007
7590 8	Telefonica UK Limited	071-075 and 077-079	27/07/2007
7590 9	Telefonica UK Limited	071-075 and 077-079	27/07/2007
7591 0	Telefonica UK Limited	071-075 and 077-079	27/07/2007

Number Block	CP Name	Number Block Type	Allocation Date
7596 0	Telefonica UK Limited	071-075 and 077-079	12/10/2007
7596 1	Telefonica UK Limited	071-075 and 077-079	12/10/2007
7596 2	Telefonica UK Limited	071-075 and 077-079	12/10/2007
7596 3	Telefonica UK Limited	071-075 and 077-079	12/10/2007
7596 4	Telefonica UK Limited	071-075 and 077-079	12/10/2007
7596 5	Telefonica UK Limited	071-075 and 077-079	12/10/2007
7596 6	Telefonica UK Limited	071-075 and 077-079	12/10/2007
7596 7	Telefonica UK Limited	071-075 and 077-079	12/10/2007
7596 8	Telefonica UK Limited	071-075 and 077-079	12/10/2007
7596 9	Telefonica UK Limited	071-075 and 077-079	12/10/2007
7597 0	Telefonica UK Limited	071-075 and 077-079	12/10/2007
7597 1	Telefonica UK Limited	071-075 and 077-079	12/10/2007
7597 2	Telefonica UK Limited	071-075 and 077-079	12/10/2007
7597 3	Telefonica UK Limited	071-075 and 077-079	12/10/2007
7597 4	Telefonica UK Limited	071-075 and 077-079	12/10/2007
7597 5	Telefonica UK Limited	071-075 and 077-079	12/10/2007
7597 6	Telefonica UK Limited	071-075 and 077-079	12/10/2007
7597 7	Telefonica UK Limited	071-075 and 077-079	12/10/2007
7597 8	Telefonica UK Limited	071-075 and 077-079	12/10/2007
7597 9	Telefonica UK Limited	071-075 and 077-079	12/10/2007
7598 0	Telefonica UK Limited	071-075 and 077-079	12/10/2007
7598 1	Telefonica UK Limited	071-075 and 077-079	12/10/2007
7598 2	Telefonica UK Limited	071-075 and 077-079	12/10/2007
7598 3	Telefonica UK Limited	071-075 and 077-079	12/10/2007
7598 4	Telefonica UK Limited	071-075 and 077-079	12/10/2007
7598 5	Telefonica UK Limited	071-075 and 077-079	12/10/2007
7598 6	Telefonica UK Limited	071-075 and 077-079	12/10/2007
7598 7	Telefonica UK Limited	071-075 and 077-079	12/10/2007
7598 8	Telefonica UK Limited	071-075 and 077-079	12/10/2007
7598 9	Telefonica UK Limited	071-075 and 077-079	12/10/2007
7599 0	Telefonica UK Limited	071-075 and 077-079	12/10/2007
7599 1	Telefonica UK Limited	071-075 and 077-079	12/10/2007
7599 2	Telefonica UK Limited	071-075 and 077-079	12/10/2007
7599 3	Telefonica UK Limited	071-075 and 077-079	12/10/2007
7599 4	Telefonica UK Limited	071-075 and 077-079	12/10/2007
7599 5	Telefonica UK Limited	071-075 and 077-079	12/10/2007
7599 6	Telefonica UK Limited	071-075 and 077-079	12/10/2007
7599 7	Telefonica UK Limited	071-075 and 077-079	12/10/2007
7599 8	Telefonica UK Limited	071-075 and 077-079	12/10/2007
7599 9	Telefonica UK Limited	071-075 and 077-079	12/10/2007
7600 0	Sound Advertising Ltd	071-075 and 077-079	06/04/2011
7600 2	Pageone Communications Limited	071-075 and 077-079	20/03/1998
7600 6	24 Seven Communications Ltd	071-075 and 077-079	20/01/2010
7600 7	Relax Telecom Limited	071-075 and 077-079	08/08/2011
7602 0	Telefonica UK Limited	071-075 and 077-079	23/02/2005
7602 2	Relax Telecom Limited	071-075 and 077-079	08/08/2011
7623 0	Pageone Communications Limited	071-075 and 077-079	01/07/1998
7623 1	Pageone Communications Limited	071-075 and 077-079	01/07/1998
7623 2	Pageone Communications Limited	071-075 and 077-079	01/07/1998

Number Block	CP Name	Number Block Type	Allocation Date
7623 3	Pageone Communications Limited	071-075 and 077-079	01/07/1998
7623 4	Pageone Communications Limited	071-075 and 077-079	01/07/1998
7623 5	Pageone Communications Limited	071-075 and 077-079	01/07/1998
7623 6	Pageone Communications Limited	071-075 and 077-079	01/07/1998
7623 7	Pageone Communications Limited	071-075 and 077-079	01/07/1998
7623 8	Pageone Communications Limited	071-075 and 077-079	01/07/1998
7623 9	Pageone Communications Limited	071-075 and 077-079	01/07/1998
7624 0	MANX TELECOM TRADING LIMITED	071-075 and 077-079	07/02/2017
7624 1	MANX TELECOM TRADING LIMITED	071-075 and 077-079	07/02/2017
7624 2	Sure (Isle of Man) Limited	071-075 and 077-079	16/10/2006
7624 3	MANX TELECOM TRADING LIMITED	071-075 and 077-079	07/02/2017
7624 4	MANX TELECOM TRADING LIMITED	071-075 and 077-079	07/02/2017
7624 50	BlueWave Communications	071-075 and 077-079	28/09/2018
7624 56	Sure (Isle of Man) Limited	071-075 and 077-079	06/04/2018
7624 6	MANX TELECOM TRADING LIMITED	071-075 and 077-079	07/02/2017
7624 8	MANX TELECOM TRADING LIMITED	071-075 and 077-079	07/02/2017
7624 9	MANX TELECOM TRADING LIMITED	071-075 and 077-079	07/02/2017
7625 0	Telefonica UK Limited	071-075 and 077-079	23/02/2005
7625 1	Telefonica UK Limited	071-075 and 077-079	23/02/2005
7625 2	Telefonica UK Limited	071-075 and 077-079	23/02/2005
7625 3	Telefonica UK Limited	071-075 and 077-079	23/02/2005
7625 4	Telefonica UK Limited	071-075 and 077-079	23/02/2005
7625 5	Telefonica UK Limited	071-075 and 077-079	23/02/2005
7625 6	Telefonica UK Limited	071-075 and 077-079	23/02/2005
7625 7	Telefonica UK Limited	071-075 and 077-079	23/02/2005
7625 8	Telefonica UK Limited	071-075 and 077-079	23/02/2005
7625 9	Telefonica UK Limited	071-075 and 077-079	23/02/2005
7626 0	Telefonica UK Limited	071-075 and 077-079	23/02/2005
7626 1	Telefonica UK Limited	071-075 and 077-079	23/02/2005
7626 2	Telefonica UK Limited	071-075 and 077-079	23/02/2005
7626 3	Telefonica UK Limited	071-075 and 077-079	23/02/2005
7626 4	Telefonica UK Limited	071-075 and 077-079	23/02/2005
7626 5	Telefonica UK Limited	071-075 and 077-079	23/02/2005
7626 6	Telefonica UK Limited	071-075 and 077-079	23/02/2005
7626 7	Telefonica UK Limited	071-075 and 077-079	23/02/2005
7626 8	Telefonica UK Limited	071-075 and 077-079	23/02/2005
7626 9	Telefonica UK Limited	071-075 and 077-079	23/02/2005
7640 0	Core Telecom Limited	071-075 and 077-079	25/06/2008
7640 1	Telecom2 Limited	071-075 and 077-079	07/05/2010
7640 2	M P Tanner Limited t/a FIO Telecom	071-075 and 077-079	16/06/2010
7640 3	Pageone Communications Limited	071-075 and 077-079	20/03/1998
7640 4	Pageone Communications Limited	071-075 and 077-079	20/03/1998
7640 6	Pageone Communications Limited	071-075 and 077-079	20/03/1998
7640 7	Pageone Communications Limited	071-075 and 077-079	20/03/1998
7641 1	EE Limited (Orange)	071-075 and 077-079	17/07/1997
7644 0	Telefonica UK Limited	071-075 and 077-079	23/02/2005
7644 1	Telefonica UK Limited	071-075 and 077-079	23/02/2005
7644 6	Media Telecom Ltd	071-075 and 077-079	29/06/2010
7654 2	Pageone Communications Limited	071-075 and 077-079	14/10/1997

Number Block	CP Name	Number Block Type	Allocation Date
7654 3	Pageone Communications Limited	071-075 and 077-079	14/10/1997
7654 5	Pageone Communications Limited	071-075 and 077-079	14/10/1997
7654 6	Pageone Communications Limited	071-075 and 077-079	14/10/1997
7659 1	Vodafone Limited	071-075 and 077-079	01/07/1998
7659 2	Pageone Communications Limited	071-075 and 077-079	01/07/1998
7659 3	Vodafone Limited	071-075 and 077-079	01/07/1998
7659 4	Vodafone Limited	071-075 and 077-079	01/07/1998
7659 5	Vodafone Limited	071-075 and 077-079	01/07/1998
7659 6	Vodafone Limited	071-075 and 077-079	01/07/1998
7659 8	Vodafone Limited	071-075 and 077-079	01/07/1998
7659 9	Pageone Communications Limited	071-075 and 077-079	01/07/1998
7660 0	Plus Telecom Limited	071-075 and 077-079	06/08/2007
7660 1	Pageone Communications Limited	071-075 and 077-079	20/03/1998
7660 2	Pageone Communications Limited	071-075 and 077-079	20/03/1998
7660 3	Pageone Communications Limited	071-075 and 077-079	20/03/1998
7660 4	Pageone Communications Limited	071-075 and 077-079	20/03/1998
7660 5	Pageone Communications Limited	071-075 and 077-079	20/03/1998
7660 6	24 Seven Communications Ltd	071-075 and 077-079	12/09/2011
7661 0	Pageone Communications Limited	071-075 and 077-079	19/07/1999
7661 1	Pageone Communications Limited	071-075 and 077-079	19/07/1999
7661 2	Pageone Communications Limited	071-075 and 077-079	19/07/1999
7661 3	Pageone Communications Limited	071-075 and 077-079	19/07/1999
7661 4	Pageone Communications Limited	071-075 and 077-079	19/07/1999
7661 5	Pageone Communications Limited	071-075 and 077-079	19/07/1999
7661 6	Pageone Communications Limited	071-075 and 077-079	19/07/1999
7661 7	Pageone Communications Limited	071-075 and 077-079	19/07/1999
7661 8	Pageone Communications Limited	071-075 and 077-079	19/07/1999
7661 9	Pageone Communications Limited	071-075 and 077-079	19/07/1999
7663 3	Syntec Limited	071-075 and 077-079	02/03/2004
7663 6	Relax Telecom Limited	071-075 and 077-079	08/08/2011
7663 7	Vodafone Limited	071-075 and 077-079	27/08/1998
7666 0	24 Seven Communications Ltd	071-075 and 077-079	17/03/2008
7666 1	Vodafone Limited	071-075 and 077-079	27/08/1998
7666 2	Vodafone Limited	071-075 and 077-079	27/08/1998
7666 3	Vodafone Limited	071-075 and 077-079	27/08/1998
7666 4	Vodafone Limited	071-075 and 077-079	18/03/1998
7666 5	Vodafone Limited	071-075 and 077-079	18/03/1998
7666 6	Vodafone Limited	071-075 and 077-079	02/07/1997
7666 7	Vodafone Limited	071-075 and 077-079	30/06/1997
7666 8	Vodafone Limited	071-075 and 077-079	15/10/1997
7666 9	M P Tanner Limited t/a FIO Telecom	071-075 and 077-079	16/06/2010
7669 0	Telefonica UK Limited	071-075 and 077-079	23/02/2005
7669 1	Telefonica UK Limited	071-075 and 077-079	23/02/2005
7669 2	Telefonica UK Limited	071-075 and 077-079	23/02/2005
7669 3	Confabulate Limited	071-075 and 077-079	21/09/2010
7669 8	Telefonica UK Limited	071-075 and 077-079	23/02/2005
7669 9	Telefonica UK Limited	071-075 and 077-079	23/02/2005
7677 0	24 Seven Communications Ltd	071-075 and 077-079	17/03/2008
7677 2	Relax Telecom Limited	071-075 and 077-079	08/08/2011

Number Block	CP Name	Number Block Type	Allocation Date
7677 8	Core Telecom Limited	071-075 and 077-079	15/03/2010
7681 0	Pageone Communications Limited	071-075 and 077-079	17/03/2000
7681 4	Pageone Communications Limited	071-075 and 077-079	17/03/2000
7681 8	Pageone Communications Limited	071-075 and 077-079	17/03/2000
7693 0	Telefonica UK Limited	071-075 and 077-079	23/02/2005
7693 1	Telefonica UK Limited	071-075 and 077-079	23/02/2005
7693 2	Telefonica UK Limited	071-075 and 077-079	23/02/2005
7693 3	Telefonica UK Limited	071-075 and 077-079	23/02/2005
7693 4	Telefonica UK Limited	071-075 and 077-079	23/02/2005
7693 5	Telefonica UK Limited	071-075 and 077-079	23/02/2005
7693 6	Telefonica UK Limited	071-075 and 077-079	23/02/2005
7693 7	Telefonica UK Limited	071-075 and 077-079	23/02/2005
7693 8	Telefonica UK Limited	071-075 and 077-079	23/02/2005
7693 9	Telefonica UK Limited	071-075 and 077-079	23/02/2005
7699 0	Vodafone Limited	071-075 and 077-079	01/07/1998
7699 1	Vodafone Limited	071-075 and 077-079	01/07/1998
7699 2	Vodafone Limited	071-075 and 077-079	01/07/1998
7699 3	Vodafone Limited	071-075 and 077-079	01/07/1998
7699 4	Vodafone Limited	071-075 and 077-079	01/07/1998
7699 5	Vodafone Limited	071-075 and 077-079	01/07/1998
7699 6	Vodafone Limited	071-075 and 077-079	01/07/1998
7699 7	Vodafone Limited	071-075 and 077-079	01/07/1998
7699 8	Vodafone Limited	071-075 and 077-079	01/07/1998
7699 9	Vodafone Limited	071-075 and 077-079	01/07/1998
7700 0	WIRELESS LOGIC LIMITED	071-075 and 077-079	12/04/2022
7700 1	Nationwide Telephone Assistance Ltd	071-075 and 077-079	16/06/2006
7700 3	Sure (Jersey) Limited	071-075 and 077-079	22/12/2005
7700 7	Sure (Jersey) Limited	071-075 and 077-079	22/12/2005
7700 8	Sure (Jersey) Limited	071-075 and 077-079	22/12/2005
7701 0	Telefonica UK Limited	071-075 and 077-079	28/09/1998
7701 1	Telefonica UK Limited	071-075 and 077-079	28/09/1998
7701 2	Telefonica UK Limited	071-075 and 077-079	28/09/1998
7701 3	Telefonica UK Limited	071-075 and 077-079	28/09/1998
7701 4	Telefonica UK Limited	071-075 and 077-079	28/09/1998
7701 5	Telefonica UK Limited	071-075 and 077-079	28/09/1998
7701 6	Telefonica UK Limited	071-075 and 077-079	28/09/1998
7701 7	Telefonica UK Limited	071-075 and 077-079	28/09/1998
7701 8	Telefonica UK Limited	071-075 and 077-079	28/09/1998
7701 9	Telefonica UK Limited	071-075 and 077-079	28/09/1998
7702 0	Telefonica UK Limited	071-075 and 077-079	28/09/1998
7702 1	Telefonica UK Limited	071-075 and 077-079	28/09/1998
7702 2	Telefonica UK Limited	071-075 and 077-079	28/09/1998
7702 3	Telefonica UK Limited	071-075 and 077-079	28/09/1998
7702 4	Telefonica UK Limited	071-075 and 077-079	28/09/1998
7702 5	Telefonica UK Limited	071-075 and 077-079	28/09/1998
7702 6	Telefonica UK Limited	071-075 and 077-079	28/09/1998
7702 7	Telefonica UK Limited	071-075 and 077-079	28/09/1998
7702 8	Telefonica UK Limited	071-075 and 077-079	28/09/1998

Number Block	CP Name	Number Block Type	Allocation Date
7702 9	Telefonica UK Limited	071-075 and 077-079	28/09/1998
7703 0	Telefonica UK Limited	071-075 and 077-079	15/12/1997
7703 1	Telefonica UK Limited	071-075 and 077-079	15/12/1997
7703 2	Telefonica UK Limited	071-075 and 077-079	15/12/1997
7703 3	Telefonica UK Limited	071-075 and 077-079	15/12/1997
7703 4	Telefonica UK Limited	071-075 and 077-079	15/12/1997
7703 5	Telefonica UK Limited	071-075 and 077-079	15/12/1997
7703 6	Telefonica UK Limited	071-075 and 077-079	15/12/1997
7703 7	Telefonica UK Limited	071-075 and 077-079	15/12/1997
7703 8	Telefonica UK Limited	071-075 and 077-079	15/12/1997
7703 9	Telefonica UK Limited	071-075 and 077-079	15/12/1997
7704 0	Telefonica UK Limited	071-075 and 077-079	28/09/2004
7704 1	Telefonica UK Limited	071-075 and 077-079	28/09/2004
7704 2	Telefonica UK Limited	071-075 and 077-079	28/09/2004
7704 3	Telefonica UK Limited	071-075 and 077-079	28/09/2004
7704 4	Telefonica UK Limited	071-075 and 077-079	28/09/2004
7704 5	Telefonica UK Limited	071-075 and 077-079	28/09/2004
7704 6	Telefonica UK Limited	071-075 and 077-079	28/09/2004
7704 7	Telefonica UK Limited	071-075 and 077-079	28/09/2004
7704 8	Telefonica UK Limited	071-075 and 077-079	28/09/2004
7704 9	Telefonica UK Limited	071-075 and 077-079	28/09/2004
7705 0	Telefonica UK Limited	071-075 and 077-079	16/05/2003
7705 1	Telefonica UK Limited	071-075 and 077-079	16/05/2003
7705 2	Telefonica UK Limited	071-075 and 077-079	16/05/2003
7705 3	Telefonica UK Limited	071-075 and 077-079	16/05/2003
7705 4	Telefonica UK Limited	071-075 and 077-079	16/05/2003
7705 5	Telefonica UK Limited	071-075 and 077-079	16/05/2003
7705 6	Telefonica UK Limited	071-075 and 077-079	16/05/2003
7705 7	Telefonica UK Limited	071-075 and 077-079	16/05/2003
7705 8	Telefonica UK Limited	071-075 and 077-079	16/05/2003
7705 9	Telefonica UK Limited	071-075 and 077-079	16/05/2003
7706 0	Telefonica UK Limited	071-075 and 077-079	28/09/2004
7706 1	Telefonica UK Limited	071-075 and 077-079	28/09/2004
7706 2	Telefonica UK Limited	071-075 and 077-079	28/09/2004
7706 3	Telefonica UK Limited	071-075 and 077-079	28/09/2004
7706 4	Telefonica UK Limited	071-075 and 077-079	28/09/2004
7706 5	Telefonica UK Limited	071-075 and 077-079	28/09/2004
7706 6	Telefonica UK Limited	071-075 and 077-079	28/09/2004
7706 7	Telefonica UK Limited	071-075 and 077-079	28/09/2004
7706 8	Telefonica UK Limited	071-075 and 077-079	28/09/2004
7706 9	Telefonica UK Limited	071-075 and 077-079	28/09/2004
7707 0	Telefonica UK Limited	071-075 and 077-079	13/01/2005
7707 1	Telefonica UK Limited	071-075 and 077-079	13/01/2005
7707 2	Telefonica UK Limited	071-075 and 077-079	13/01/2005
7707 3	Telefonica UK Limited	071-075 and 077-079	13/01/2005
7707 4	Telefonica UK Limited	071-075 and 077-079	13/01/2005
7707 5	Telefonica UK Limited	071-075 and 077-079	13/01/2005
7707 6	Telefonica UK Limited	071-075 and 077-079	13/01/2005
7707 7	Telefonica UK Limited	071-075 and 077-079	13/01/2005

Number Block	CP Name	Number Block Type	Allocation Date
7707 8	Telefonica UK Limited	071-075 and 077-079	13/01/2005
7707 9	Telefonica UK Limited	071-075 and 077-079	13/01/2005
7708 0	Telefonica UK Limited	071-075 and 077-079	20/11/2002
7708 1	Telefonica UK Limited	071-075 and 077-079	20/11/2002
7708 2	Telefonica UK Limited	071-075 and 077-079	20/11/2002
7708 3	Telefonica UK Limited	071-075 and 077-079	20/11/2002
7708 4	Telefonica UK Limited	071-075 and 077-079	20/11/2002
7708 5	Telefonica UK Limited	071-075 and 077-079	20/11/2002
7708 6	Telefonica UK Limited	071-075 and 077-079	20/11/2002
7708 7	Telefonica UK Limited	071-075 and 077-079	20/11/2002
7708 8	Telefonica UK Limited	071-075 and 077-079	20/11/2002
7708 9	Telefonica UK Limited	071-075 and 077-079	20/11/2002
7709 0	Telefonica UK Limited	071-075 and 077-079	30/01/2003
7709 1	Telefonica UK Limited	071-075 and 077-079	30/01/2003
7709 2	Telefonica UK Limited	071-075 and 077-079	30/01/2003
7709 3	Telefonica UK Limited	071-075 and 077-079	30/01/2003
7709 4	Telefonica UK Limited	071-075 and 077-079	30/01/2003
7709 5	Telefonica UK Limited	071-075 and 077-079	30/01/2003
7709 6	Telefonica UK Limited	071-075 and 077-079	30/01/2003
7709 7	Telefonica UK Limited	071-075 and 077-079	30/01/2003
7709 8	Telefonica UK Limited	071-075 and 077-079	30/01/2003
7709 9	Telefonica UK Limited	071-075 and 077-079	30/01/2003
7710 0	Telefonica UK Limited	071-075 and 077-079	15/12/1997
7710 1	Telefonica UK Limited	071-075 and 077-079	15/12/1997
7710 2	Telefonica UK Limited	071-075 and 077-079	15/12/1997
7710 3	Telefonica UK Limited	071-075 and 077-079	15/12/1997
7710 4	Telefonica UK Limited	071-075 and 077-079	15/12/1997
7710 5	Telefonica UK Limited	071-075 and 077-079	15/12/1997
7710 6	Telefonica UK Limited	071-075 and 077-079	15/12/1997
7710 7	Telefonica UK Limited	071-075 and 077-079	15/12/1997
7710 8	Telefonica UK Limited	071-075 and 077-079	15/12/1997
7710 9	Telefonica UK Limited	071-075 and 077-079	15/12/1997
7711 0	Telefonica UK Limited	071-075 and 077-079	15/12/1997
7711 1	Telefonica UK Limited	071-075 and 077-079	15/12/1997
7711 2	Telefonica UK Limited	071-075 and 077-079	15/12/1997
7711 3	Telefonica UK Limited	071-075 and 077-079	15/12/1997
7711 4	Telefonica UK Limited	071-075 and 077-079	15/12/1997
7711 5	Telefonica UK Limited	071-075 and 077-079	15/12/1997
7711 6	Telefonica UK Limited	071-075 and 077-079	15/12/1997
7711 7	Telefonica UK Limited	071-075 and 077-079	15/12/1997
7711 8	Telefonica UK Limited	071-075 and 077-079	15/12/1997
7711 9	Telefonica UK Limited	071-075 and 077-079	15/12/1997
7712 0	Telefonica UK Limited	071-075 and 077-079	25/01/1999
7712 1	Telefonica UK Limited	071-075 and 077-079	25/01/1999
7712 2	Telefonica UK Limited	071-075 and 077-079	25/01/1999
7712 3	Telefonica UK Limited	071-075 and 077-079	25/01/1999
7712 4	Telefonica UK Limited	071-075 and 077-079	25/01/1999
7712 5	Telefonica UK Limited	071-075 and 077-079	25/01/1999
7712 6	Telefonica UK Limited	071-075 and 077-079	25/01/1999

Number Block	CP Name	Number Block Type	Allocation Date
7712 7	Telefonica UK Limited	071-075 and 077-079	25/01/1999
7712 8	Telefonica UK Limited	071-075 and 077-079	25/01/1999
7712 9	Telefonica UK Limited	071-075 and 077-079	25/01/1999
7713 0	Telefonica UK Limited	071-075 and 077-079	25/01/1999
7713 1	Telefonica UK Limited	071-075 and 077-079	25/01/1999
7713 2	Telefonica UK Limited	071-075 and 077-079	25/01/1999
7713 3	Telefonica UK Limited	071-075 and 077-079	25/01/1999
7713 4	Telefonica UK Limited	071-075 and 077-079	25/01/1999
7713 5	Telefonica UK Limited	071-075 and 077-079	25/01/1999
7713 6	Telefonica UK Limited	071-075 and 077-079	25/01/1999
7713 7	Telefonica UK Limited	071-075 and 077-079	25/01/1999
7713 8	Telefonica UK Limited	071-075 and 077-079	25/01/1999
7713 9	Telefonica UK Limited	071-075 and 077-079	25/01/1999
7714 0	Telefonica UK Limited	071-075 and 077-079	25/01/1999
7714 1	Telefonica UK Limited	071-075 and 077-079	25/01/1999
7714 2	Telefonica UK Limited	071-075 and 077-079	25/01/1999
7714 3	Telefonica UK Limited	071-075 and 077-079	25/01/1999
7714 4	Telefonica UK Limited	071-075 and 077-079	25/01/1999
7714 5	Telefonica UK Limited	071-075 and 077-079	25/01/1999
7714 6	Telefonica UK Limited	071-075 and 077-079	25/01/1999
7714 7	Telefonica UK Limited	071-075 and 077-079	25/01/1999
7714 8	Telefonica UK Limited	071-075 and 077-079	25/01/1999
7714 9	Telefonica UK Limited	071-075 and 077-079	25/01/1999
7715 0	Telefonica UK Limited	071-075 and 077-079	19/05/1999
7715 1	Telefonica UK Limited	071-075 and 077-079	19/05/1999
7715 2	Telefonica UK Limited	071-075 and 077-079	19/05/1999
7715 3	Telefonica UK Limited	071-075 and 077-079	19/05/1999
7715 4	Telefonica UK Limited	071-075 and 077-079	19/05/1999
7715 5	Telefonica UK Limited	071-075 and 077-079	19/05/1999
7715 6	Telefonica UK Limited	071-075 and 077-079	19/05/1999
7715 7	Telefonica UK Limited	071-075 and 077-079	19/05/1999
7715 8	Telefonica UK Limited	071-075 and 077-079	19/05/1999
7715 9	Telefonica UK Limited	071-075 and 077-079	19/05/1999
7716 0	Telefonica UK Limited	071-075 and 077-079	13/01/2005
7716 1	Telefonica UK Limited	071-075 and 077-079	13/01/2005
7716 2	Telefonica UK Limited	071-075 and 077-079	13/01/2005
7716 3	Telefonica UK Limited	071-075 and 077-079	13/01/2005
7716 4	Telefonica UK Limited	071-075 and 077-079	13/01/2005
7716 5	Telefonica UK Limited	071-075 and 077-079	13/01/2005
7716 6	Telefonica UK Limited	071-075 and 077-079	13/01/2005
7716 7	Telefonica UK Limited	071-075 and 077-079	13/01/2005
7716 8	Telefonica UK Limited	071-075 and 077-079	13/01/2005
7716 9	Telefonica UK Limited	071-075 and 077-079	13/01/2005
7717 0	Vodafone Limited	071-075 and 077-079	08/08/2002
7717 1	Vodafone Limited	071-075 and 077-079	08/08/2002
7717 2	Vodafone Limited	071-075 and 077-079	08/08/2002
7717 3	Vodafone Limited	071-075 and 077-079	08/08/2002
7717 4	Vodafone Limited	071-075 and 077-079	08/08/2002
7717 5	Vodafone Limited	071-075 and 077-079	08/08/2002

Number Block	CP Name	Number Block Type	Allocation Date
7717 6	Vodafone Limited	071-075 and 077-079	08/08/2002
7717 7	Vodafone Limited	071-075 and 077-079	08/08/2002
7717 8	Vodafone Limited	071-075 and 077-079	08/08/2002
7717 9	Vodafone Limited	071-075 and 077-079	08/08/2002
7718 0	Telefonica UK Limited	071-075 and 077-079	19/05/1999
7718 1	Telefonica UK Limited	071-075 and 077-079	19/05/1999
7718 2	Telefonica UK Limited	071-075 and 077-079	19/05/1999
7718 3	Telefonica UK Limited	071-075 and 077-079	19/05/1999
7718 4	Telefonica UK Limited	071-075 and 077-079	19/05/1999
7718 5	Telefonica UK Limited	071-075 and 077-079	19/05/1999
7718 6	Telefonica UK Limited	071-075 and 077-079	19/05/1999
7718 7	Telefonica UK Limited	071-075 and 077-079	19/05/1999
7718 8	Telefonica UK Limited	071-075 and 077-079	19/05/1999
7718 9	Telefonica UK Limited	071-075 and 077-079	19/05/1999
7719 0	Telefonica UK Limited	071-075 and 077-079	19/05/1999
7719 1	Telefonica UK Limited	071-075 and 077-079	19/05/1999
7719 2	Telefonica UK Limited	071-075 and 077-079	19/05/1999
7719 3	Telefonica UK Limited	071-075 and 077-079	19/05/1999
7719 4	Telefonica UK Limited	071-075 and 077-079	19/05/1999
7719 5	Telefonica UK Limited	071-075 and 077-079	19/05/1999
7719 6	Telefonica UK Limited	071-075 and 077-079	19/05/1999
7719 7	Telefonica UK Limited	071-075 and 077-079	19/05/1999
7719 8	Telefonica UK Limited	071-075 and 077-079	19/05/1999
7719 9	Telefonica UK Limited	071-075 and 077-079	19/05/1999
7720 0	Telefonica UK Limited	071-075 and 077-079	11/08/1999
7720 1	Telefonica UK Limited	071-075 and 077-079	11/08/1999
7720 2	Telefonica UK Limited	071-075 and 077-079	11/08/1999
7720 3	Telefonica UK Limited	071-075 and 077-079	11/08/1999
7720 4	Telefonica UK Limited	071-075 and 077-079	11/08/1999
7720 5	Telefonica UK Limited	071-075 and 077-079	11/08/1999
7720 6	Telefonica UK Limited	071-075 and 077-079	11/08/1999
7720 7	Telefonica UK Limited	071-075 and 077-079	11/08/1999
7720 8	Telefonica UK Limited	071-075 and 077-079	11/08/1999
7720 9	Telefonica UK Limited	071-075 and 077-079	11/08/1999
7721 0	Vodafone Limited	071-075 and 077-079	01/10/1998
7721 1	Vodafone Limited	071-075 and 077-079	01/10/1998
7721 2	Vodafone Limited	071-075 and 077-079	01/10/1998
7721 3	Vodafone Limited	071-075 and 077-079	01/10/1998
7721 4	Vodafone Limited	071-075 and 077-079	01/10/1998
7721 5	Vodafone Limited	071-075 and 077-079	01/10/1998
7721 6	Vodafone Limited	071-075 and 077-079	01/10/1998
7721 7	Vodafone Limited	071-075 and 077-079	01/10/1998
7721 8	Vodafone Limited	071-075 and 077-079	01/10/1998
7721 9	Vodafone Limited	071-075 and 077-079	01/10/1998
7722 0	EE Limited (TM)	071-075 and 077-079	12/11/2004
7722 1	EE Limited (TM)	071-075 and 077-079	12/11/2004
7722 2	EE Limited (TM)	071-075 and 077-079	12/11/2004
7722 3	EE Limited (TM)	071-075 and 077-079	12/11/2004
7722 4	EE Limited (TM)	071-075 and 077-079	12/11/2004

Number Block	CP Name	Number Block Type	Allocation Date
7722 5	EE Limited (TM)	071-075 and 077-079	12/11/2004
7722 6	EE Limited (TM)	071-075 and 077-079	12/11/2004
7722 7	EE Limited (TM)	071-075 and 077-079	12/11/2004
7722 8	EE Limited (TM)	071-075 and 077-079	12/11/2004
7722 9	EE Limited (TM)	071-075 and 077-079	12/11/2004
7723 0	Hutchison 3G UK Ltd	071-075 and 077-079	23/11/2004
7723 1	Hutchison 3G UK Ltd	071-075 and 077-079	23/11/2004
7723 2	Hutchison 3G UK Ltd	071-075 and 077-079	23/11/2004
7723 3	Hutchison 3G UK Ltd	071-075 and 077-079	23/11/2004
7723 4	Hutchison 3G UK Ltd	071-075 and 077-079	23/11/2004
7723 5	Hutchison 3G UK Ltd	071-075 and 077-079	23/11/2004
7723 6	Hutchison 3G UK Ltd	071-075 and 077-079	23/11/2004
7723 7	Hutchison 3G UK Ltd	071-075 and 077-079	23/11/2004
7723 8	Hutchison 3G UK Ltd	071-075 and 077-079	23/11/2004
7723 9	Hutchison 3G UK Ltd	071-075 and 077-079	23/11/2004
7724 0	Telefonica UK Limited	071-075 and 077-079	13/01/2005
7724 1	Telefonica UK Limited	071-075 and 077-079	13/01/2005
7724 2	Telefonica UK Limited	071-075 and 077-079	13/01/2005
7724 3	Telefonica UK Limited	071-075 and 077-079	13/01/2005
7724 4	Telefonica UK Limited	071-075 and 077-079	13/01/2005
7724 5	Telefonica UK Limited	071-075 and 077-079	13/01/2005
7724 6	Telefonica UK Limited	071-075 and 077-079	13/01/2005
7724 7	Telefonica UK Limited	071-075 and 077-079	13/01/2005
7724 8	Telefonica UK Limited	071-075 and 077-079	13/01/2005
7724 9	Telefonica UK Limited	071-075 and 077-079	13/01/2005
7725 0	Telefonica UK Limited	071-075 and 077-079	13/01/2005
7725 1	Telefonica UK Limited	071-075 and 077-079	13/01/2005
7725 2	Telefonica UK Limited	071-075 and 077-079	13/01/2005
7725 3	Telefonica UK Limited	071-075 and 077-079	13/01/2005
7725 4	Telefonica UK Limited	071-075 and 077-079	13/01/2005
7725 5	Telefonica UK Limited	071-075 and 077-079	13/01/2005
7725 6	Telefonica UK Limited	071-075 and 077-079	13/01/2005
7725 7	Telefonica UK Limited	071-075 and 077-079	13/01/2005
7725 8	Telefonica UK Limited	071-075 and 077-079	13/01/2005
7725 9	Telefonica UK Limited	071-075 and 077-079	13/01/2005
7726 0	EE Limited (TM)	071-075 and 077-079	05/01/2005
7726 1	EE Limited (TM)	071-075 and 077-079	05/01/2005
7726 2	EE Limited (TM)	071-075 and 077-079	05/01/2005
7726 3	EE Limited (TM)	071-075 and 077-079	05/01/2005
7726 4	EE Limited (TM)	071-075 and 077-079	05/01/2005
7726 5	EE Limited (TM)	071-075 and 077-079	05/01/2005
7726 6	EE Limited (TM)	071-075 and 077-079	05/01/2005
7726 7	EE Limited (TM)	071-075 and 077-079	05/01/2005
7726 8	EE Limited (TM)	071-075 and 077-079	05/01/2005
7726 9	EE Limited (TM)	071-075 and 077-079	05/01/2005
7727 0	Hutchison 3G UK Ltd	071-075 and 077-079	21/01/2005
7727 1	Hutchison 3G UK Ltd	071-075 and 077-079	21/01/2005
7727 2	Hutchison 3G UK Ltd	071-075 and 077-079	21/01/2005
7727 3	Hutchison 3G UK Ltd	071-075 and 077-079	21/01/2005

Number Block	CP Name	Number Block Type	Allocation Date
7727 4	Hutchison 3G UK Ltd	071-075 and 077-079	21/01/2005
7727 5	Hutchison 3G UK Ltd	071-075 and 077-079	21/01/2005
7727 6	Hutchison 3G UK Ltd	071-075 and 077-079	21/01/2005
7727 7	Hutchison 3G UK Ltd	071-075 and 077-079	21/01/2005
7727 8	Hutchison 3G UK Ltd	071-075 and 077-079	21/01/2005
7727 9	Hutchison 3G UK Ltd	071-075 and 077-079	21/01/2005
7728 0	Hutchison 3G UK Ltd	071-075 and 077-079	21/01/2005
7728 1	Hutchison 3G UK Ltd	071-075 and 077-079	21/01/2005
7728 2	Hutchison 3G UK Ltd	071-075 and 077-079	21/01/2005
7728 3	Hutchison 3G UK Ltd	071-075 and 077-079	21/01/2005
7728 4	Hutchison 3G UK Ltd	071-075 and 077-079	21/01/2005
7728 5	Hutchison 3G UK Ltd	071-075 and 077-079	21/01/2005
7728 6	Hutchison 3G UK Ltd	071-075 and 077-079	21/01/2005
7728 7	Hutchison 3G UK Ltd	071-075 and 077-079	21/01/2005
7728 8	Hutchison 3G UK Ltd	071-075 and 077-079	21/01/2005
7728 9	Hutchison 3G UK Ltd	071-075 and 077-079	21/01/2005
7729 0	Telefonica UK Limited	071-075 and 077-079	10/01/2001
7729 1	Telefonica UK Limited	071-075 and 077-079	10/01/2001
7729 2	Telefonica UK Limited	071-075 and 077-079	10/01/2001
7729 3	Telefonica UK Limited	071-075 and 077-079	10/01/2001
7729 4	Telefonica UK Limited	071-075 and 077-079	10/01/2001
7729 5	Telefonica UK Limited	071-075 and 077-079	10/01/2001
7729 6	Telefonica UK Limited	071-075 and 077-079	10/01/2001
7729 7	Telefonica UK Limited	071-075 and 077-079	10/01/2001
7729 8	Telefonica UK Limited	071-075 and 077-079	10/01/2001
7729 9	Telefonica UK Limited	071-075 and 077-079	10/01/2001
7730 0	Telefonica UK Limited	071-075 and 077-079	11/08/1999
7730 1	Telefonica UK Limited	071-075 and 077-079	11/08/1999
7730 2	Telefonica UK Limited	071-075 and 077-079	11/08/1999
7730 3	Telefonica UK Limited	071-075 and 077-079	11/08/1999
7730 4	Telefonica UK Limited	071-075 and 077-079	11/08/1999
7730 5	Telefonica UK Limited	071-075 and 077-079	11/08/1999
7730 6	Telefonica UK Limited	071-075 and 077-079	11/08/1999
7730 7	Telefonica UK Limited	071-075 and 077-079	11/08/1999
7730 8	Telefonica UK Limited	071-075 and 077-079	11/08/1999
7730 9	Telefonica UK Limited	071-075 and 077-079	11/08/1999
7731 0	Telefonica UK Limited	071-075 and 077-079	10/01/2001
7731 1	Telefonica UK Limited	071-075 and 077-079	10/01/2001
7731 2	Telefonica UK Limited	071-075 and 077-079	10/01/2001
7731 3	Telefonica UK Limited	071-075 and 077-079	10/01/2001
7731 4	Telefonica UK Limited	071-075 and 077-079	10/01/2001
7731 5	Telefonica UK Limited	071-075 and 077-079	10/01/2001
7731 6	Telefonica UK Limited	071-075 and 077-079	10/01/2001
7731 7	Telefonica UK Limited	071-075 and 077-079	10/01/2001
7731 8	Telefonica UK Limited	071-075 and 077-079	10/01/2001
7731 9	Telefonica UK Limited	071-075 and 077-079	10/01/2001
7732 0	Telefonica UK Limited	071-075 and 077-079	10/01/2001
7732 1	Telefonica UK Limited	071-075 and 077-079	10/01/2001
7732 2	Telefonica UK Limited	071-075 and 077-079	10/01/2001

Number Block	CP Name	Number Block Type	Allocation Date
7732 3	Telefonica UK Limited	071-075 and 077-079	10/01/2001
7732 4	Telefonica UK Limited	071-075 and 077-079	10/01/2001
7732 5	Telefonica UK Limited	071-075 and 077-079	10/01/2001
7732 6	Telefonica UK Limited	071-075 and 077-079	10/01/2001
7732 7	Telefonica UK Limited	071-075 and 077-079	10/01/2001
7732 8	Telefonica UK Limited	071-075 and 077-079	10/01/2001
7732 9	Telefonica UK Limited	071-075 and 077-079	10/01/2001
7733 0	Vodafone Limited	071-075 and 077-079	18/01/2000
7733 1	Vodafone Limited	071-075 and 077-079	18/01/2000
7733 2	Vodafone Limited	071-075 and 077-079	18/01/2000
7733 3	Vodafone Limited	071-075 and 077-079	18/01/2000
7733 4	Vodafone Limited	071-075 and 077-079	18/01/2000
7733 5	Vodafone Limited	071-075 and 077-079	18/01/2000
7733 6	Vodafone Limited	071-075 and 077-079	18/01/2000
7733 7	Vodafone Limited	071-075 and 077-079	18/01/2000
7733 8	Vodafone Limited	071-075 and 077-079	18/01/2000
7733 9	Vodafone Limited	071-075 and 077-079	18/01/2000
7734 0	Telefonica UK Limited	071-075 and 077-079	10/01/2001
7734 1	Telefonica UK Limited	071-075 and 077-079	10/01/2001
7734 2	Telefonica UK Limited	071-075 and 077-079	10/01/2001
7734 3	Telefonica UK Limited	071-075 and 077-079	10/01/2001
7734 4	Telefonica UK Limited	071-075 and 077-079	10/01/2001
7734 5	Telefonica UK Limited	071-075 and 077-079	10/01/2001
7734 6	Telefonica UK Limited	071-075 and 077-079	10/01/2001
7734 7	Telefonica UK Limited	071-075 and 077-079	10/01/2001
7734 8	Telefonica UK Limited	071-075 and 077-079	10/01/2001
7734 9	Telefonica UK Limited	071-075 and 077-079	10/01/2001
7735 0	Hutchison 3G UK Ltd	071-075 and 077-079	21/01/2005
7735 1	Hutchison 3G UK Ltd	071-075 and 077-079	21/01/2005
7735 2	Hutchison 3G UK Ltd	071-075 and 077-079	21/01/2005
7735 3	Hutchison 3G UK Ltd	071-075 and 077-079	21/01/2005
7735 4	Hutchison 3G UK Ltd	071-075 and 077-079	21/01/2005
7735 5	Hutchison 3G UK Ltd	071-075 and 077-079	21/01/2005
7735 6	Hutchison 3G UK Ltd	071-075 and 077-079	21/01/2005
7735 7	Hutchison 3G UK Ltd	071-075 and 077-079	21/01/2005
7735 8	Hutchison 3G UK Ltd	071-075 and 077-079	21/01/2005
7735 9	Hutchison 3G UK Ltd	071-075 and 077-079	21/01/2005
7736 0	Telefonica UK Limited	071-075 and 077-079	10/01/2001
7736 1	Telefonica UK Limited	071-075 and 077-079	10/01/2001
7736 2	Telefonica UK Limited	071-075 and 077-079	10/01/2001
7736 3	Telefonica UK Limited	071-075 and 077-079	10/01/2001
7736 4	Telefonica UK Limited	071-075 and 077-079	10/01/2001
7736 5	Telefonica UK Limited	071-075 and 077-079	10/01/2001
7736 6	Telefonica UK Limited	071-075 and 077-079	10/01/2001
7736 7	Telefonica UK Limited	071-075 and 077-079	10/01/2001
7736 8	Telefonica UK Limited	071-075 and 077-079	10/01/2001
7736 9	Telefonica UK Limited	071-075 and 077-079	10/01/2001
7737 0	Hutchison 3G UK Ltd	071-075 and 077-079	21/01/2005
7737 1	Hutchison 3G UK Ltd	071-075 and 077-079	21/01/2005

Number Block	CP Name	Number Block Type	Allocation Date
7737 2	Hutchison 3G UK Ltd	071-075 and 077-079	21/01/2005
7737 3	Hutchison 3G UK Ltd	071-075 and 077-079	21/01/2005
7737 4	Hutchison 3G UK Ltd	071-075 and 077-079	21/01/2005
7737 5	Hutchison 3G UK Ltd	071-075 and 077-079	21/01/2005
7737 6	Hutchison 3G UK Ltd	071-075 and 077-079	21/01/2005
7737 7	Hutchison 3G UK Ltd	071-075 and 077-079	21/01/2005
7737 8	Hutchison 3G UK Ltd	071-075 and 077-079	21/01/2005
7737 9	Hutchison 3G UK Ltd	071-075 and 077-079	21/01/2005
7738 0	Telefonica UK Limited	071-075 and 077-079	22/03/2005
7738 1	Telefonica UK Limited	071-075 and 077-079	22/03/2005
7738 2	Telefonica UK Limited	071-075 and 077-079	22/03/2005
7738 3	Telefonica UK Limited	071-075 and 077-079	22/03/2005
7738 4	Telefonica UK Limited	071-075 and 077-079	22/03/2005
7738 5	Telefonica UK Limited	071-075 and 077-079	22/03/2005
7738 6	Telefonica UK Limited	071-075 and 077-079	22/03/2005
7738 7	Telefonica UK Limited	071-075 and 077-079	22/03/2005
7738 8	Telefonica UK Limited	071-075 and 077-079	22/03/2005
7738 9	Telefonica UK Limited	071-075 and 077-079	22/03/2005
7739 0	Telefonica UK Limited	071-075 and 077-079	01/07/2002
7739 1	Telefonica UK Limited	071-075 and 077-079	01/07/2002
7739 2	Telefonica UK Limited	071-075 and 077-079	01/07/2002
7739 3	Telefonica UK Limited	071-075 and 077-079	01/07/2002
7739 4	Telefonica UK Limited	071-075 and 077-079	01/07/2002
7739 5	Telefonica UK Limited	071-075 and 077-079	01/07/2002
7739 6	Telefonica UK Limited	071-075 and 077-079	01/07/2002
7739 7	Telefonica UK Limited	071-075 and 077-079	01/07/2002
7739 8	Telefonica UK Limited	071-075 and 077-079	01/07/2002
7739 9	Telefonica UK Limited	071-075 and 077-079	01/07/2002
7740 0	Telefonica UK Limited	071-075 and 077-079	11/08/1999
7740 1	Telefonica UK Limited	071-075 and 077-079	11/08/1999
7740 2	Telefonica UK Limited	071-075 and 077-079	11/08/1999
7740 3	Telefonica UK Limited	071-075 and 077-079	11/08/1999
7740 4	Telefonica UK Limited	071-075 and 077-079	11/08/1999
7740 5	Telefonica UK Limited	071-075 and 077-079	11/08/1999
7740 6	Telefonica UK Limited	071-075 and 077-079	11/08/1999
7740 7	Telefonica UK Limited	071-075 and 077-079	11/08/1999
7740 8	Telefonica UK Limited	071-075 and 077-079	11/08/1999
7740 9	Telefonica UK Limited	071-075 and 077-079	11/08/1999
7741 0	Vodafone Limited	071-075 and 077-079	01/10/1998
7741 1	Vodafone Limited	071-075 and 077-079	01/10/1998
7741 2	Vodafone Limited	071-075 and 077-079	01/10/1998
7741 3	Vodafone Limited	071-075 and 077-079	01/10/1998
7741 4	Vodafone Limited	071-075 and 077-079	01/10/1998
7741 5	Vodafone Limited	071-075 and 077-079	01/10/1998
7741 6	Vodafone Limited	071-075 and 077-079	01/10/1998
7741 7	Vodafone Limited	071-075 and 077-079	01/10/1998
7741 8	Vodafone Limited	071-075 and 077-079	01/10/1998
7741 9	Vodafone Limited	071-075 and 077-079	01/10/1998
7742 0	Telefonica UK Limited	071-075 and 077-079	01/07/2002

Number Block	CP Name	Number Block Type	Allocation Date
7742 1	Telefonica UK Limited	071-075 and 077-079	01/07/2002
7742 2	Telefonica UK Limited	071-075 and 077-079	01/07/2002
7742 3	Telefonica UK Limited	071-075 and 077-079	01/07/2002
7742 4	Telefonica UK Limited	071-075 and 077-079	01/07/2002
7742 5	Telefonica UK Limited	071-075 and 077-079	01/07/2002
7742 6	Telefonica UK Limited	071-075 and 077-079	01/07/2002
7742 7	Telefonica UK Limited	071-075 and 077-079	01/07/2002
7742 8	Telefonica UK Limited	071-075 and 077-079	01/07/2002
7742 9	Telefonica UK Limited	071-075 and 077-079	01/07/2002
7743 0	Telefonica UK Limited	071-075 and 077-079	01/07/2002
7743 1	Telefonica UK Limited	071-075 and 077-079	01/07/2002
7743 2	Telefonica UK Limited	071-075 and 077-079	01/07/2002
7743 3	Telefonica UK Limited	071-075 and 077-079	01/07/2002
7743 4	Telefonica UK Limited	071-075 and 077-079	01/07/2002
7743 5	Telefonica UK Limited	071-075 and 077-079	01/07/2002
7743 6	Telefonica UK Limited	071-075 and 077-079	01/07/2002
7743 7	Telefonica UK Limited	071-075 and 077-079	01/07/2002
7743 8	Telefonica UK Limited	071-075 and 077-079	01/07/2002
7743 9	Telefonica UK Limited	071-075 and 077-079	01/07/2002
7744 2	Core Communication Services Limited	071-075 and 077-079	18/06/2009
7744 3	Core Communication Services Limited	071-075 and 077-079	18/06/2009
7744 4	Core Communication Services Limited	071-075 and 077-079	18/06/2009
7744 5	Core Communication Services Limited	071-075 and 077-079	18/06/2009
7744 6	Core Communication Services Limited	071-075 and 077-079	18/06/2009
7744 7	Core Communication Services Limited	071-075 and 077-079	18/06/2009
7744 8	Core Communication Services Limited	071-075 and 077-079	26/06/2009
7744 9	Core Communication Services Limited	071-075 and 077-079	26/06/2009
7745 0	Telefonica UK Limited	071-075 and 077-079	01/07/2002
7745 1	Telefonica UK Limited	071-075 and 077-079	01/07/2002
7745 2	Telefonica UK Limited	071-075 and 077-079	01/07/2002
7745 3	Telefonica UK Limited	071-075 and 077-079	01/07/2002
7745 4	Telefonica UK Limited	071-075 and 077-079	01/07/2002
7745 5	Telefonica UK Limited	071-075 and 077-079	01/07/2002
7745 6	Telefonica UK Limited	071-075 and 077-079	01/07/2002
7745 7	Telefonica UK Limited	071-075 and 077-079	01/07/2002
7745 8	Telefonica UK Limited	071-075 and 077-079	01/07/2002
7745 9	Telefonica UK Limited	071-075 and 077-079	01/07/2002
7746 0	Telefonica UK Limited	071-075 and 077-079	15/08/2003
7746 1	Telefonica UK Limited	071-075 and 077-079	15/08/2003
7746 2	Telefonica UK Limited	071-075 and 077-079	15/08/2003
7746 3	Telefonica UK Limited	071-075 and 077-079	15/08/2003
7746 4	Telefonica UK Limited	071-075 and 077-079	15/08/2003
7746 5	Telefonica UK Limited	071-075 and 077-079	15/08/2003

Number Block	CP Name	Number Block Type	Allocation Date
7746 6	Telefonica UK Limited	071-075 and 077-079	15/08/2003
7746 7	Telefonica UK Limited	071-075 and 077-079	15/08/2003
7746 8	Telefonica UK Limited	071-075 and 077-079	15/08/2003
7746 9	Telefonica UK Limited	071-075 and 077-079	15/08/2003
7747 0	Vodafone Limited	071-075 and 077-079	15/01/1999
7747 1	Vodafone Limited	071-075 and 077-079	15/01/1999
7747 2	Vodafone Limited	071-075 and 077-079	15/01/1999
7747 3	Vodafone Limited	071-075 and 077-079	15/01/1999
7747 4	Vodafone Limited	071-075 and 077-079	15/01/1999
7747 5	Vodafone Limited	071-075 and 077-079	15/01/1999
7747 6	Vodafone Limited	071-075 and 077-079	15/01/1999
7747 7	Vodafone Limited	071-075 and 077-079	15/01/1999
7747 8	Vodafone Limited	071-075 and 077-079	15/01/1999
7747 9	Vodafone Limited	071-075 and 077-079	15/01/1999
7748 0	Vodafone Limited	071-075 and 077-079	02/05/2000
7748 1	Vodafone Limited	071-075 and 077-079	02/05/2000
7748 2	Vodafone Limited	071-075 and 077-079	02/05/2000
7748 3	Vodafone Limited	071-075 and 077-079	02/05/2000
7748 4	Vodafone Limited	071-075 and 077-079	02/05/2000
7748 5	Vodafone Limited	071-075 and 077-079	02/05/2000
7748 6	Vodafone Limited	071-075 and 077-079	02/05/2000
7748 7	Vodafone Limited	071-075 and 077-079	02/05/2000
7748 8	Vodafone Limited	071-075 and 077-079	02/05/2000
7748 9	Vodafone Limited	071-075 and 077-079	02/05/2000
7749 0	Telefonica UK Limited	071-075 and 077-079	15/08/2003
7749 1	Telefonica UK Limited	071-075 and 077-079	15/08/2003
7749 2	Telefonica UK Limited	071-075 and 077-079	15/08/2003
7749 3	Telefonica UK Limited	071-075 and 077-079	15/08/2003
7749 4	Telefonica UK Limited	071-075 and 077-079	15/08/2003
7749 5	Telefonica UK Limited	071-075 and 077-079	15/08/2003
7749 6	Telefonica UK Limited	071-075 and 077-079	15/08/2003
7749 7	Telefonica UK Limited	071-075 and 077-079	15/08/2003
7749 8	Telefonica UK Limited	071-075 and 077-079	15/08/2003
7749 9	Telefonica UK Limited	071-075 and 077-079	15/08/2003
7750 0	Telefonica UK Limited	071-075 and 077-079	12/08/1999
7750 1	Telefonica UK Limited	071-075 and 077-079	12/08/1999
7750 2	Telefonica UK Limited	071-075 and 077-079	12/08/1999
7750 3	Telefonica UK Limited	071-075 and 077-079	12/08/1999
7750 4	Telefonica UK Limited	071-075 and 077-079	12/08/1999
7750 5	Telefonica UK Limited	071-075 and 077-079	12/08/1999
7750 6	Telefonica UK Limited	071-075 and 077-079	12/08/1999
7750 7	Telefonica UK Limited	071-075 and 077-079	12/08/1999
7750 8	Telefonica UK Limited	071-075 and 077-079	12/08/1999
7750 9	Telefonica UK Limited	071-075 and 077-079	12/08/1999
7751 0	Telefonica UK Limited	071-075 and 077-079	08/02/2000
7751 1	Telefonica UK Limited	071-075 and 077-079	08/02/2000
7751 2	Telefonica UK Limited	071-075 and 077-079	08/02/2000
7751 3	Telefonica UK Limited	071-075 and 077-079	08/02/2000
7751 4	Telefonica UK Limited	071-075 and 077-079	08/02/2000

Number Block	CP Name	Number Block Type	Allocation Date
7751 5	Telefonica UK Limited	071-075 and 077-079	08/02/2000
7751 6	Telefonica UK Limited	071-075 and 077-079	08/02/2000
7751 7	Telefonica UK Limited	071-075 and 077-079	08/02/2000
7751 8	Telefonica UK Limited	071-075 and 077-079	08/02/2000
7751 9	Telefonica UK Limited	071-075 and 077-079	08/02/2000
7752 0	Telefonica UK Limited	071-075 and 077-079	08/02/2000
7752 1	Telefonica UK Limited	071-075 and 077-079	08/02/2000
7752 2	Telefonica UK Limited	071-075 and 077-079	08/02/2000
7752 3	Telefonica UK Limited	071-075 and 077-079	08/02/2000
7752 4	Telefonica UK Limited	071-075 and 077-079	08/02/2000
7752 5	Telefonica UK Limited	071-075 and 077-079	08/02/2000
7752 6	Telefonica UK Limited	071-075 and 077-079	08/02/2000
7752 7	Telefonica UK Limited	071-075 and 077-079	08/02/2000
7752 8	Telefonica UK Limited	071-075 and 077-079	08/02/2000
7752 9	Telefonica UK Limited	071-075 and 077-079	08/02/2000
7753 0	Airwave Solutions Ltd	071-075 and 077-079	02/04/2013
7753 1	Telefonica UK Limited	071-075 and 077-079	08/02/2000
7753 2	Telefonica UK Limited	071-075 and 077-079	08/02/2000
7753 3	Telefonica UK Limited	071-075 and 077-079	08/02/2000
7753 4	Telefonica UK Limited	071-075 and 077-079	08/02/2000
7753 5	Telefonica UK Limited	071-075 and 077-079	08/02/2000
7753 6	Telefonica UK Limited	071-075 and 077-079	08/02/2000
7753 7	Telefonica UK Limited	071-075 and 077-079	08/02/2000
7753 8	Telefonica UK Limited	071-075 and 077-079	08/02/2000
7753 9	Telefonica UK Limited	071-075 and 077-079	08/02/2000
7754 0	Telefonica UK Limited	071-075 and 077-079	08/02/2000
7754 1	Telefonica UK Limited	071-075 and 077-079	08/02/2000
7754 2	Telefonica UK Limited	071-075 and 077-079	08/02/2000
7754 3	Telefonica UK Limited	071-075 and 077-079	08/02/2000
7754 4	Telefonica UK Limited	071-075 and 077-079	08/02/2000
7754 5	Telefonica UK Limited	071-075 and 077-079	08/02/2000
7754 6	Telefonica UK Limited	071-075 and 077-079	08/02/2000
7754 7	Telefonica UK Limited	071-075 and 077-079	08/02/2000
7754 8	Telefonica UK Limited	071-075 and 077-079	08/02/2000
7754 9	Telefonica UK Limited	071-075 and 077-079	08/02/2000
7755 2	Core Communication Services Limited	071-075 and 077-079	18/06/2009
7755 3	Core Communication Services Limited	071-075 and 077-079	18/06/2009
7755 4	Core Communication Services Limited	071-075 and 077-079	18/06/2009
7755 5	Core Communication Services Limited	071-075 and 077-079	18/06/2009
7756 0	Telefonica UK Limited	071-075 and 077-079	22/03/2005
7756 1	Telefonica UK Limited	071-075 and 077-079	22/03/2005
7756 2	Telefonica UK Limited	071-075 and 077-079	22/03/2005
7756 3	Telefonica UK Limited	071-075 and 077-079	22/03/2005
7756 4	Telefonica UK Limited	071-075 and 077-079	22/03/2005
7756 5	Telefonica UK Limited	071-075 and 077-079	22/03/2005
7756 6	Telefonica UK Limited	071-075 and 077-079	22/03/2005

Number Block	CP Name	Number Block Type	Allocation Date
7756 7	Telefonica UK Limited	071-075 and 077-079	22/03/2005
7756 8	Telefonica UK Limited	071-075 and 077-079	22/03/2005
7756 9	Telefonica UK Limited	071-075 and 077-079	22/03/2005
7757 0	EE Limited (TM)	071-075 and 077-079	04/04/2005
7757 1	EE Limited (TM)	071-075 and 077-079	04/04/2005
7757 2	EE Limited (TM)	071-075 and 077-079	04/04/2005
7757 3	EE Limited (TM)	071-075 and 077-079	04/04/2005
7757 4	EE Limited (TM)	071-075 and 077-079	04/04/2005
7757 5	EE Limited (TM)	071-075 and 077-079	04/04/2005
7757 6	EE Limited (TM)	071-075 and 077-079	04/04/2005
7757 7	EE Limited (TM)	071-075 and 077-079	04/04/2005
7757 8	EE Limited (TM)	071-075 and 077-079	04/04/2005
7757 9	EE Limited (TM)	071-075 and 077-079	04/04/2005
7758 0	EE Limited (TM)	071-075 and 077-079	04/04/2005
7758 1	EE Limited (TM)	071-075 and 077-079	04/04/2005
7758 2	EE Limited (TM)	071-075 and 077-079	04/04/2005
7758 3	EE Limited (TM)	071-075 and 077-079	04/04/2005
7758 4	EE Limited (TM)	071-075 and 077-079	04/04/2005
7758 5	EE Limited (TM)	071-075 and 077-079	04/04/2005
7758 6	EE Limited (TM)	071-075 and 077-079	04/04/2005
7758 7	EE Limited (TM)	071-075 and 077-079	04/04/2005
7758 8	EE Limited (TM)	071-075 and 077-079	04/04/2005
7758 9	EE Limited (TM)	071-075 and 077-079	04/04/2005
7759 0	Telefonica UK Limited	071-075 and 077-079	08/02/2000
7759 1	Telefonica UK Limited	071-075 and 077-079	08/02/2000
7759 2	Telefonica UK Limited	071-075 and 077-079	08/02/2000
7759 3	Telefonica UK Limited	071-075 and 077-079	08/02/2000
7759 4	Telefonica UK Limited	071-075 and 077-079	08/02/2000
7759 5	Telefonica UK Limited	071-075 and 077-079	08/02/2000
7759 6	Telefonica UK Limited	071-075 and 077-079	08/02/2000
7759 7	Telefonica UK Limited	071-075 and 077-079	08/02/2000
7759 8	Telefonica UK Limited	071-075 and 077-079	08/02/2000
7759 9	Telefonica UK Limited	071-075 and 077-079	08/02/2000
7760 0	Vodafone Limited	071-075 and 077-079	01/09/1999
7760 1	Vodafone Limited	071-075 and 077-079	01/09/1999
7760 2	Vodafone Limited	071-075 and 077-079	01/09/1999
7760 3	Vodafone Limited	071-075 and 077-079	01/09/1999
7760 4	Vodafone Limited	071-075 and 077-079	01/09/1999
7760 5	Vodafone Limited	071-075 and 077-079	01/09/1999
7760 6	Vodafone Limited	071-075 and 077-079	01/09/1999
7760 7	Vodafone Limited	071-075 and 077-079	01/09/1999
7760 8	Vodafone Limited	071-075 and 077-079	01/09/1999
7760 9	Vodafone Limited	071-075 and 077-079	01/09/1999
7761 0	Telefonica UK Limited	071-075 and 077-079	08/02/2000
7761 1	Telefonica UK Limited	071-075 and 077-079	08/02/2000
7761 2	Telefonica UK Limited	071-075 and 077-079	08/02/2000
7761 3	Telefonica UK Limited	071-075 and 077-079	08/02/2000
7761 4	Telefonica UK Limited	071-075 and 077-079	08/02/2000
7761 5	Telefonica UK Limited	071-075 and 077-079	08/02/2000

Number Block	CP Name	Number Block Type	Allocation Date
7761 6	Telefonica UK Limited	071-075 and 077-079	08/02/2000
7761 7	Telefonica UK Limited	071-075 and 077-079	08/02/2000
7761 8	Telefonica UK Limited	071-075 and 077-079	08/02/2000
7761 9	Telefonica UK Limited	071-075 and 077-079	08/02/2000
7762 0	Telefonica UK Limited	071-075 and 077-079	16/11/2000
7762 1	Telefonica UK Limited	071-075 and 077-079	16/11/2000
7762 2	Telefonica UK Limited	071-075 and 077-079	16/11/2000
7762 3	Telefonica UK Limited	071-075 and 077-079	16/11/2000
7762 4	Telefonica UK Limited	071-075 and 077-079	16/11/2000
7762 5	Telefonica UK Limited	071-075 and 077-079	16/11/2000
7762 6	Telefonica UK Limited	071-075 and 077-079	16/11/2000
7762 7	Telefonica UK Limited	071-075 and 077-079	16/11/2000
7762 8	Telefonica UK Limited	071-075 and 077-079	16/11/2000
7762 9	Telefonica UK Limited	071-075 and 077-079	16/11/2000
7763 0	Telefonica UK Limited	071-075 and 077-079	16/11/2000
7763 1	Telefonica UK Limited	071-075 and 077-079	16/11/2000
7763 2	Telefonica UK Limited	071-075 and 077-079	16/11/2000
7763 3	Telefonica UK Limited	071-075 and 077-079	16/11/2000
7763 4	Telefonica UK Limited	071-075 and 077-079	16/11/2000
7763 5	Telefonica UK Limited	071-075 and 077-079	16/11/2000
7763 6	Telefonica UK Limited	071-075 and 077-079	16/11/2000
7763 7	Telefonica UK Limited	071-075 and 077-079	16/11/2000
7763 8	Telefonica UK Limited	071-075 and 077-079	16/11/2000
7763 9	Telefonica UK Limited	071-075 and 077-079	16/11/2000
7764 0	Telefonica UK Limited	071-075 and 077-079	16/11/2000
7764 1	Telefonica UK Limited	071-075 and 077-079	16/11/2000
7764 2	Telefonica UK Limited	071-075 and 077-079	16/11/2000
7764 3	Telefonica UK Limited	071-075 and 077-079	16/11/2000
7764 4	Telefonica UK Limited	071-075 and 077-079	16/11/2000
7764 5	Telefonica UK Limited	071-075 and 077-079	16/11/2000
7764 6	Telefonica UK Limited	071-075 and 077-079	16/11/2000
7764 7	Telefonica UK Limited	071-075 and 077-079	16/11/2000
7764 8	Telefonica UK Limited	071-075 and 077-079	16/11/2000
7764 9	Telefonica UK Limited	071-075 and 077-079	16/11/2000
7765 0	Vodafone Limited	071-075 and 077-079	02/05/2000
7765 1	Vodafone Limited	071-075 and 077-079	02/05/2000
7765 2	Vodafone Limited	071-075 and 077-079	02/05/2000
7765 3	Vodafone Limited	071-075 and 077-079	02/05/2000
7765 4	Vodafone Limited	071-075 and 077-079	02/05/2000
7765 5	Vodafone Limited	071-075 and 077-079	02/05/2000
7765 6	Vodafone Limited	071-075 and 077-079	02/05/2000
7765 7	Vodafone Limited	071-075 and 077-079	02/05/2000
7765 8	Vodafone Limited	071-075 and 077-079	02/05/2000
7765 9	Vodafone Limited	071-075 and 077-079	02/05/2000
7766 0	Vodafone Limited	071-075 and 077-079	03/11/2001
7766 1	Vodafone Limited	071-075 and 077-079	03/11/2001
7766 2	Vodafone Limited	071-075 and 077-079	03/11/2001
7766 3	Vodafone Limited	071-075 and 077-079	03/11/2001
7766 4	Vodafone Limited	071-075 and 077-079	03/11/2001

Number Block	CP Name	Number Block Type	Allocation Date
7766 5	Vodafone Limited	071-075 and 077-079	03/11/2001
7766 6	Vodafone Limited	071-075 and 077-079	03/11/2001
7766 7	Vodafone Limited	071-075 and 077-079	03/11/2001
7766 8	Vodafone Limited	071-075 and 077-079	03/11/2001
7766 9	Vodafone Limited	071-075 and 077-079	03/11/2001
7767 0	Vodafone Limited	071-075 and 077-079	01/10/1998
7767 1	Vodafone Limited	071-075 and 077-079	01/10/1998
7767 2	Vodafone Limited	071-075 and 077-079	01/10/1998
7767 3	Vodafone Limited	071-075 and 077-079	01/10/1998
7767 4	Vodafone Limited	071-075 and 077-079	01/10/1998
7767 5	Vodafone Limited	071-075 and 077-079	01/10/1998
7767 6	Vodafone Limited	071-075 and 077-079	01/10/1998
7767 7	Vodafone Limited	071-075 and 077-079	01/10/1998
7767 8	Vodafone Limited	071-075 and 077-079	01/10/1998
7767 9	Vodafone Limited	071-075 and 077-079	01/10/1998
7768 0	Vodafone Limited	071-075 and 077-079	01/10/1998
7768 1	Vodafone Limited	071-075 and 077-079	01/10/1998
7768 2	Vodafone Limited	071-075 and 077-079	01/10/1998
7768 3	Vodafone Limited	071-075 and 077-079	01/10/1998
7768 4	Vodafone Limited	071-075 and 077-079	01/10/1998
7768 5	Vodafone Limited	071-075 and 077-079	01/10/1998
7768 6	Vodafone Limited	071-075 and 077-079	01/10/1998
7768 7	Vodafone Limited	071-075 and 077-079	01/10/1998
7768 8	Vodafone Limited	071-075 and 077-079	01/10/1998
7768 9	Vodafone Limited	071-075 and 077-079	01/10/1998
7769 0	Vodafone Limited	071-075 and 077-079	11/10/1999
7769 1	Vodafone Limited	071-075 and 077-079	11/10/1999
7769 2	Vodafone Limited	071-075 and 077-079	11/10/1999
7769 3	Vodafone Limited	071-075 and 077-079	11/10/1999
7769 4	Vodafone Limited	071-075 and 077-079	11/10/1999
7769 5	Vodafone Limited	071-075 and 077-079	11/10/1999
7769 6	Vodafone Limited	071-075 and 077-079	11/10/1999
7769 7	Vodafone Limited	071-075 and 077-079	11/10/1999
7769 8	Vodafone Limited	071-075 and 077-079	11/10/1999
7769 9	Vodafone Limited	071-075 and 077-079	11/10/1999
7770 0	Vodafone Limited	071-075 and 077-079	01/10/1998
7770 1	Vodafone Limited	071-075 and 077-079	01/10/1998
7770 2	Vodafone Limited	071-075 and 077-079	01/10/1998
7770 3	Vodafone Limited	071-075 and 077-079	01/10/1998
7770 4	Vodafone Limited	071-075 and 077-079	01/10/1998
7770 5	Vodafone Limited	071-075 and 077-079	01/10/1998
7770 6	Vodafone Limited	071-075 and 077-079	01/10/1998
7770 7	Vodafone Limited	071-075 and 077-079	01/10/1998
7770 8	Vodafone Limited	071-075 and 077-079	01/10/1998
7770 9	Vodafone Limited	071-075 and 077-079	01/10/1998
7771 0	Vodafone Limited	071-075 and 077-079	13/05/1997
7771 1	Vodafone Limited	071-075 and 077-079	13/05/1997
7771 2	Vodafone Limited	071-075 and 077-079	13/05/1997
7771 3	Vodafone Limited	071-075 and 077-079	13/05/1997

Number Block	CP Name	Number Block Type	Allocation Date
7771 4	Vodafone Limited	071-075 and 077-079	13/05/1997
7771 5	Vodafone Limited	071-075 and 077-079	13/05/1997
7771 6	Vodafone Limited	071-075 and 077-079	13/05/1997
7771 7	Vodafone Limited	071-075 and 077-079	13/05/1997
7771 8	Vodafone Limited	071-075 and 077-079	13/05/1997
7771 9	Vodafone Limited	071-075 and 077-079	13/05/1997
7772 0	EE Limited (Orange)	071-075 and 077-079	17/05/2005
7772 1	EE Limited (Orange)	071-075 and 077-079	17/05/2005
7772 2	EE Limited (Orange)	071-075 and 077-079	17/05/2005
7772 3	EE Limited (Orange)	071-075 and 077-079	17/05/2005
7772 4	EE Limited (Orange)	071-075 and 077-079	17/05/2005
7772 5	EE Limited (Orange)	071-075 and 077-079	17/05/2005
7772 6	EE Limited (Orange)	071-075 and 077-079	17/05/2005
7772 7	EE Limited (Orange)	071-075 and 077-079	17/05/2005
7772 8	EE Limited (Orange)	071-075 and 077-079	17/05/2005
7772 9	EE Limited (Orange)	071-075 and 077-079	17/05/2005
7773 0	EE Limited (Orange)	071-075 and 077-079	20/08/1999
7773 1	EE Limited (Orange)	071-075 and 077-079	20/08/1999
7773 2	EE Limited (Orange)	071-075 and 077-079	20/08/1999
7773 3	EE Limited (Orange)	071-075 and 077-079	20/08/1999
7773 4	EE Limited (Orange)	071-075 and 077-079	20/08/1999
7773 5	EE Limited (Orange)	071-075 and 077-079	20/08/1999
7773 6	EE Limited (Orange)	071-075 and 077-079	20/08/1999
7773 7	EE Limited (Orange)	071-075 and 077-079	20/08/1999
7773 8	EE Limited (Orange)	071-075 and 077-079	20/08/1999
7773 9	EE Limited (Orange)	071-075 and 077-079	20/08/1999
7774 0	Vodafone Limited	071-075 and 077-079	01/10/1998
7774 1	Vodafone Limited	071-075 and 077-079	01/10/1998
7774 2	Vodafone Limited	071-075 and 077-079	01/10/1998
7774 3	Vodafone Limited	071-075 and 077-079	01/10/1998
7774 4	Vodafone Limited	071-075 and 077-079	01/10/1998
7774 5	Vodafone Limited	071-075 and 077-079	01/10/1998
7774 6	Vodafone Limited	071-075 and 077-079	01/10/1998
7774 7	Vodafone Limited	071-075 and 077-079	01/10/1998
7774 8	Vodafone Limited	071-075 and 077-079	01/10/1998
7774 9	Vodafone Limited	071-075 and 077-079	01/10/1998
7775 0	Vodafone Limited	071-075 and 077-079	14/01/1998
7775 1	Vodafone Limited	071-075 and 077-079	14/01/1998
7775 2	Vodafone Limited	071-075 and 077-079	14/01/1998
7775 3	Vodafone Limited	071-075 and 077-079	14/01/1998
7775 4	Vodafone Limited	071-075 and 077-079	14/01/1998
7775 5	Vodafone Limited	071-075 and 077-079	14/01/1998
7775 6	Vodafone Limited	071-075 and 077-079	14/01/1998
7775 7	Vodafone Limited	071-075 and 077-079	14/01/1998
7775 8	Vodafone Limited	071-075 and 077-079	14/01/1998
7775 9	Vodafone Limited	071-075 and 077-079	14/01/1998
7776 0	Vodafone Limited	071-075 and 077-079	11/10/1999
7776 1	Vodafone Limited	071-075 and 077-079	11/10/1999
7776 2	Vodafone Limited	071-075 and 077-079	11/10/1999

Number Block	CP Name	Number Block Type	Allocation Date
7776 3	Vodafone Limited	071-075 and 077-079	11/10/1999
7776 4	Vodafone Limited	071-075 and 077-079	11/10/1999
7776 5	Vodafone Limited	071-075 and 077-079	11/10/1999
7776 6	Vodafone Limited	071-075 and 077-079	11/10/1999
7776 7	Vodafone Limited	071-075 and 077-079	11/10/1999
7776 8	Vodafone Limited	071-075 and 077-079	11/10/1999
7776 9	Vodafone Limited	071-075 and 077-079	11/10/1999
7777 0	EE Limited (TM)	071-075 and 077-079	02/05/2017
7777 1	EE Limited (TM)	071-075 and 077-079	02/05/2017
7777 2	EE Limited (TM)	071-075 and 077-079	02/05/2017
7777 3	EE Limited (TM)	071-075 and 077-079	02/05/2017
7777 4	EE Limited (TM)	071-075 and 077-079	02/05/2017
7777 5	EE Limited (TM)	071-075 and 077-079	02/05/2017
7777 6	EE Limited (TM)	071-075 and 077-079	02/05/2017
7777 7	EE Limited (TM)	071-075 and 077-079	02/05/2017
7777 8	EE Limited (TM)	071-075 and 077-079	02/05/2017
7777 9	EE Limited (TM)	071-075 and 077-079	02/05/2017
7778 0	Vodafone Limited	071-075 and 077-079	01/10/1998
7778 1	Vodafone Limited	071-075 and 077-079	01/10/1998
7778 2	Vodafone Limited	071-075 and 077-079	01/10/1998
7778 3	Vodafone Limited	071-075 and 077-079	01/10/1998
7778 4	Vodafone Limited	071-075 and 077-079	01/10/1998
7778 5	Vodafone Limited	071-075 and 077-079	01/10/1998
7778 6	Vodafone Limited	071-075 and 077-079	01/10/1998
7778 7	Vodafone Limited	071-075 and 077-079	01/10/1998
7778 8	Vodafone Limited	071-075 and 077-079	01/10/1998
7778 9	Vodafone Limited	071-075 and 077-079	01/10/1998
7779 0	EE Limited (Orange)	071-075 and 077-079	20/08/1999
7779 1	EE Limited (Orange)	071-075 and 077-079	20/08/1999
7779 2	EE Limited (Orange)	071-075 and 077-079	20/08/1999
7779 3	EE Limited (Orange)	071-075 and 077-079	20/08/1999
7779 4	EE Limited (Orange)	071-075 and 077-079	20/08/1999
7779 5	EE Limited (Orange)	071-075 and 077-079	20/08/1999
7779 6	EE Limited (Orange)	071-075 and 077-079	20/08/1999
7779 7	EE Limited (Orange)	071-075 and 077-079	20/08/1999
7779 8	EE Limited (Orange)	071-075 and 077-079	20/08/1999
7779 9	EE Limited (Orange)	071-075 and 077-079	20/08/1999
7780 0	Vodafone Limited	071-075 and 077-079	01/09/1999
7780 1	Vodafone Limited	071-075 and 077-079	01/09/1999
7780 2	Vodafone Limited	071-075 and 077-079	01/09/1999
7780 3	Vodafone Limited	071-075 and 077-079	01/09/1999
7780 4	Vodafone Limited	071-075 and 077-079	01/09/1999
7780 5	Vodafone Limited	071-075 and 077-079	01/09/1999
7780 6	Vodafone Limited	071-075 and 077-079	01/09/1999
7780 7	Vodafone Limited	071-075 and 077-079	01/09/1999
7780 8	Vodafone Limited	071-075 and 077-079	01/09/1999
7780 9	Vodafone Limited	071-075 and 077-079	01/09/1999
7781 0	Sure (Guernsey) Limited	071-075 and 077-079	04/08/1997
7781 1	Sure (Guernsey) Limited	071-075 and 077-079	04/08/1997

Number Block	CP Name	Number Block Type	Allocation Date
7781 2	Sure (Guernsey) Limited	071-075 and 077-079	04/08/1997
7781 3	Sure (Guernsey) Limited	071-075 and 077-079	04/08/1997
7781 4	Sure (Guernsey) Limited	071-075 and 077-079	04/08/1997
7781 5	Sure (Guernsey) Limited	071-075 and 077-079	04/08/1997
7781 6	Sure (Guernsey) Limited	071-075 and 077-079	04/08/1997
7781 7	Sure (Guernsey) Limited	071-075 and 077-079	04/08/1997
7781 8	Sure (Guernsey) Limited	071-075 and 077-079	04/08/1997
7781 9	Sure (Guernsey) Limited	071-075 and 077-079	04/08/1997
7782 0	Hutchison 3G UK Ltd	071-075 and 077-079	22/05/2001
7782 1	Hutchison 3G UK Ltd	071-075 and 077-079	04/12/2001
7782 2	Hutchison 3G UK Ltd	071-075 and 077-079	04/12/2001
7782 3	Hutchison 3G UK Ltd	071-075 and 077-079	04/12/2001
7782 4	Hutchison 3G UK Ltd	071-075 and 077-079	04/12/2001
7782 5	Hutchison 3G UK Ltd	071-075 and 077-079	04/12/2001
7782 6	Hutchison 3G UK Ltd	071-075 and 077-079	04/12/2001
7782 7	Hutchison 3G UK Ltd	071-075 and 077-079	04/12/2001
7782 8	Hutchison 3G UK Ltd	071-075 and 077-079	04/12/2001
7782 9	Hutchison 3G UK Ltd	071-075 and 077-079	04/12/2001
7783 0	Telefonica UK Limited	071-075 and 077-079	22/03/2005
7783 1	Telefonica UK Limited	071-075 and 077-079	22/03/2005
7783 2	Telefonica UK Limited	071-075 and 077-079	22/03/2005
7783 3	Telefonica UK Limited	071-075 and 077-079	22/03/2005
7783 4	Telefonica UK Limited	071-075 and 077-079	22/03/2005
7783 5	Telefonica UK Limited	071-075 and 077-079	22/03/2005
7783 6	Telefonica UK Limited	071-075 and 077-079	22/03/2005
7783 7	Telefonica UK Limited	071-075 and 077-079	22/03/2005
7783 8	Telefonica UK Limited	071-075 and 077-079	22/03/2005
7783 9	Telefonica UK Limited	071-075 and 077-079	22/03/2005
7784 0	Telefonica UK Limited	071-075 and 077-079	22/03/2005
7784 1	Telefonica UK Limited	071-075 and 077-079	22/03/2005
7784 2	Telefonica UK Limited	071-075 and 077-079	22/03/2005
7784 3	Telefonica UK Limited	071-075 and 077-079	22/03/2005
7784 4	Telefonica UK Limited	071-075 and 077-079	22/03/2005
7784 5	Telefonica UK Limited	071-075 and 077-079	22/03/2005
7784 6	Telefonica UK Limited	071-075 and 077-079	22/03/2005
7784 7	Telefonica UK Limited	071-075 and 077-079	22/03/2005
7784 8	Telefonica UK Limited	071-075 and 077-079	22/03/2005
7784 9	Telefonica UK Limited	071-075 and 077-079	22/03/2005
7785 0	Vodafone Limited	071-075 and 077-079	01/10/1998
7785 1	Vodafone Limited	071-075 and 077-079	01/10/1998
7785 2	Vodafone Limited	071-075 and 077-079	01/10/1998
7785 3	Vodafone Limited	071-075 and 077-079	01/10/1998
7785 4	Vodafone Limited	071-075 and 077-079	01/10/1998
7785 5	Vodafone Limited	071-075 and 077-079	01/10/1998
7785 6	Vodafone Limited	071-075 and 077-079	01/10/1998
7785 7	Vodafone Limited	071-075 and 077-079	01/10/1998
7785 8	Vodafone Limited	071-075 and 077-079	01/10/1998
7785 9	Vodafone Limited	071-075 and 077-079	01/10/1998
7786 0	Vodafone Limited	071-075 and 077-079	07/02/2001

Number Block	CP Name	Number Block Type	Allocation Date
7786 1	Vodafone Limited	071-075 and 077-079	07/02/2001
7786 2	Vodafone Limited	071-075 and 077-079	07/02/2001
7786 3	Vodafone Limited	071-075 and 077-079	07/02/2001
7786 4	Vodafone Limited	071-075 and 077-079	07/02/2001
7786 5	Vodafone Limited	071-075 and 077-079	07/02/2001
7786 6	Vodafone Limited	071-075 and 077-079	07/02/2001
7786 7	Vodafone Limited	071-075 and 077-079	07/02/2001
7786 8	Vodafone Limited	071-075 and 077-079	07/02/2001
7786 9	Vodafone Limited	071-075 and 077-079	07/02/2001
7787 0	Vodafone Limited	071-075 and 077-079	30/06/1999
7787 1	Vodafone Limited	071-075 and 077-079	30/06/1999
7787 2	Vodafone Limited	071-075 and 077-079	30/06/1999
7787 3	Vodafone Limited	071-075 and 077-079	30/06/1999
7787 4	Vodafone Limited	071-075 and 077-079	30/06/1999
7787 5	Vodafone Limited	071-075 and 077-079	30/06/1999
7787 6	Vodafone Limited	071-075 and 077-079	30/06/1999
7787 7	Vodafone Limited	071-075 and 077-079	30/06/1999
7787 8	Vodafone Limited	071-075 and 077-079	30/06/1999
7787 9	Vodafone Limited	071-075 and 077-079	30/06/1999
7788 0	Vodafone Limited	071-075 and 077-079	30/10/1998
7788 1	Vodafone Limited	071-075 and 077-079	30/10/1998
7788 2	Vodafone Limited	071-075 and 077-079	30/10/1998
7788 3	Vodafone Limited	071-075 and 077-079	30/10/1998
7788 4	Vodafone Limited	071-075 and 077-079	30/10/1998
7788 5	Vodafone Limited	071-075 and 077-079	30/10/1998
7788 6	Vodafone Limited	071-075 and 077-079	30/10/1998
7788 7	Vodafone Limited	071-075 and 077-079	30/10/1998
7788 8	Vodafone Limited	071-075 and 077-079	30/10/1998
7788 9	Vodafone Limited	071-075 and 077-079	30/10/1998
7789 0	Vodafone Limited	071-075 and 077-079	07/02/2001
7789 1	Vodafone Limited	071-075 and 077-079	07/02/2001
7789 2	Vodafone Limited	071-075 and 077-079	07/02/2001
7789 3	Vodafone Limited	071-075 and 077-079	07/02/2001
7789 4	Vodafone Limited	071-075 and 077-079	07/02/2001
7789 5	Vodafone Limited	071-075 and 077-079	07/02/2001
7789 6	Vodafone Limited	071-075 and 077-079	07/02/2001
7789 7	Vodafone Limited	071-075 and 077-079	07/02/2001
7789 8	Vodafone Limited	071-075 and 077-079	07/02/2001
7789 9	Vodafone Limited	071-075 and 077-079	07/02/2001
7790 0	EE Limited (Orange)	071-075 and 077-079	20/08/1999
7790 1	EE Limited (Orange)	071-075 and 077-079	20/08/1999
7790 2	EE Limited (Orange)	071-075 and 077-079	20/08/1999
7790 3	EE Limited (Orange)	071-075 and 077-079	20/08/1999
7790 4	EE Limited (Orange)	071-075 and 077-079	20/08/1999
7790 5	EE Limited (Orange)	071-075 and 077-079	20/08/1999
7790 6	EE Limited (Orange)	071-075 and 077-079	20/08/1999
7790 7	EE Limited (Orange)	071-075 and 077-079	20/08/1999
7790 8	EE Limited (Orange)	071-075 and 077-079	20/08/1999
7790 9	EE Limited (Orange)	071-075 and 077-079	20/08/1999

Number Block	CP Name	Number Block Type	Allocation Date
7791 0	EE Limited (Orange)	071-075 and 077-079	21/02/2001
7791 1	EE Limited (Orange)	071-075 and 077-079	21/02/2001
7791 2	EE Limited (Orange)	071-075 and 077-079	21/02/2001
7791 3	EE Limited (Orange)	071-075 and 077-079	21/02/2001
7791 4	EE Limited (Orange)	071-075 and 077-079	21/02/2001
7791 5	EE Limited (Orange)	071-075 and 077-079	21/02/2001
7791 6	EE Limited (Orange)	071-075 and 077-079	21/02/2001
7791 7	EE Limited (Orange)	071-075 and 077-079	21/02/2001
7791 8	EE Limited (Orange)	071-075 and 077-079	21/02/2001
7791 9	EE Limited (Orange)	071-075 and 077-079	21/02/2001
7792 0	EE Limited (Orange)	071-075 and 077-079	21/02/2001
7792 1	EE Limited (Orange)	071-075 and 077-079	21/02/2001
7792 2	EE Limited (Orange)	071-075 and 077-079	21/02/2001
7792 3	EE Limited (Orange)	071-075 and 077-079	21/02/2001
7792 4	EE Limited (Orange)	071-075 and 077-079	21/02/2001
7792 5	EE Limited (Orange)	071-075 and 077-079	21/02/2001
7792 6	EE Limited (Orange)	071-075 and 077-079	21/02/2001
7792 7	EE Limited (Orange)	071-075 and 077-079	21/02/2001
7792 8	EE Limited (Orange)	071-075 and 077-079	21/02/2001
7792 9	EE Limited (Orange)	071-075 and 077-079	21/02/2001
7793 0	Telefonica UK Limited	071-075 and 077-079	30/01/2003
7793 1	Telefonica UK Limited	071-075 and 077-079	30/01/2003
7793 2	Telefonica UK Limited	071-075 and 077-079	30/01/2003
7793 3	Telefonica UK Limited	071-075 and 077-079	30/01/2003
7793 4	Telefonica UK Limited	071-075 and 077-079	30/01/2003
7793 5	Telefonica UK Limited	071-075 and 077-079	30/01/2003
7793 6	Telefonica UK Limited	071-075 and 077-079	30/01/2003
7793 7	Telefonica UK Limited	071-075 and 077-079	30/01/2003
7793 8	Telefonica UK Limited	071-075 and 077-079	30/01/2003
7793 9	Telefonica UK Limited	071-075 and 077-079	30/01/2003
7794 0	EE Limited (Orange)	071-075 and 077-079	17/05/2005
7794 1	EE Limited (Orange)	071-075 and 077-079	17/05/2005
7794 2	EE Limited (Orange)	071-075 and 077-079	17/05/2005
7794 3	EE Limited (Orange)	071-075 and 077-079	17/05/2005
7794 4	EE Limited (Orange)	071-075 and 077-079	17/05/2005
7794 5	EE Limited (Orange)	071-075 and 077-079	17/05/2005
7794 6	EE Limited (Orange)	071-075 and 077-079	17/05/2005
7794 7	EE Limited (Orange)	071-075 and 077-079	17/05/2005
7794 8	EE Limited (Orange)	071-075 and 077-079	17/05/2005
7794 9	EE Limited (Orange)	071-075 and 077-079	17/05/2005
7795 0	Vodafone Limited	071-075 and 077-079	08/08/2002
7795 1	Vodafone Limited	071-075 and 077-079	08/08/2002
7795 2	Vodafone Limited	071-075 and 077-079	08/08/2002
7795 3	Vodafone Limited	071-075 and 077-079	08/08/2002
7795 4	Vodafone Limited	071-075 and 077-079	08/08/2002
7795 5	Vodafone Limited	071-075 and 077-079	08/08/2002
7795 6	Vodafone Limited	071-075 and 077-079	08/08/2002
7795 7	Vodafone Limited	071-075 and 077-079	08/08/2002
7795 8	Vodafone Limited	071-075 and 077-079	08/08/2002

Number Block	CP Name	Number Block Type	Allocation Date
7795 9	Vodafone Limited	071-075 and 077-079	08/08/2002
7796 0	Vodafone Limited	071-075 and 077-079	02/05/2000
7796 1	Vodafone Limited	071-075 and 077-079	02/05/2000
7796 2	Vodafone Limited	071-075 and 077-079	02/05/2000
7796 3	Vodafone Limited	071-075 and 077-079	02/05/2000
7796 4	Vodafone Limited	071-075 and 077-079	02/05/2000
7796 5	Vodafone Limited	071-075 and 077-079	02/05/2000
7796 6	Vodafone Limited	071-075 and 077-079	02/05/2000
7796 7	Vodafone Limited	071-075 and 077-079	02/05/2000
7796 8	Vodafone Limited	071-075 and 077-079	02/05/2000
7796 9	Vodafone Limited	071-075 and 077-079	02/05/2000
7797 0	JT (Jersey) Limited	071-075 and 077-079	
7797 1	JT (Jersey) Limited	071-075 and 077-079	
7797 2	JT (Jersey) Limited	071-075 and 077-079	
7797 3	JT (Jersey) Limited	071-075 and 077-079	
7797 4	JT (Jersey) Limited	071-075 and 077-079	
7797 5	JT (Jersey) Limited	071-075 and 077-079	
7797 6	JT (Jersey) Limited	071-075 and 077-079	
7797 7	JT (Jersey) Limited	071-075 and 077-079	25/11/1997
7797 8	JT (Jersey) Limited	071-075 and 077-079	30/08/2001
7797 9	JT (Jersey) Limited	071-075 and 077-079	09/12/2004
7798 0	Vodafone Limited	071-075 and 077-079	01/10/1998
7798 1	Vodafone Limited	071-075 and 077-079	01/10/1998
7798 2	Vodafone Limited	071-075 and 077-079	01/10/1998
7798 3	Vodafone Limited	071-075 and 077-079	01/10/1998
7798 4	Vodafone Limited	071-075 and 077-079	01/10/1998
7798 5	Vodafone Limited	071-075 and 077-079	01/10/1998
7798 6	Vodafone Limited	071-075 and 077-079	01/10/1998
7798 7	Vodafone Limited	071-075 and 077-079	01/10/1998
7798 8	Vodafone Limited	071-075 and 077-079	01/10/1998
7798 9	Vodafone Limited	071-075 and 077-079	01/10/1998
7799 0	Vodafone Limited	071-075 and 077-079	18/01/2000
7799 1	Vodafone Limited	071-075 and 077-079	18/01/2000
7799 2	Vodafone Limited	071-075 and 077-079	18/01/2000
7799 3	Vodafone Limited	071-075 and 077-079	18/01/2000
7799 4	Vodafone Limited	071-075 and 077-079	18/01/2000
7799 5	Vodafone Limited	071-075 and 077-079	18/01/2000
7799 6	Vodafone Limited	071-075 and 077-079	18/01/2000
7799 7	Vodafone Limited	071-075 and 077-079	18/01/2000
7799 8	Vodafone Limited	071-075 and 077-079	18/01/2000
7799 9	Vodafone Limited	071-075 and 077-079	18/01/2000
7800 0	EE Limited (Orange)	071-075 and 077-079	15/10/1997
7800 1	EE Limited (Orange)	071-075 and 077-079	15/10/1997
7800 2	EE Limited (Orange)	071-075 and 077-079	15/10/1997
7800 3	EE Limited (Orange)	071-075 and 077-079	15/10/1997
7800 4	EE Limited (Orange)	071-075 and 077-079	15/10/1997
7800 5	EE Limited (Orange)	071-075 and 077-079	15/10/1997
7800 6	EE Limited (Orange)	071-075 and 077-079	15/10/1997
7800 7	EE Limited (Orange)	071-075 and 077-079	15/10/1997

Number Block	CP Name	Number Block Type	Allocation Date
7800 8	EE Limited (Orange)	071-075 and 077-079	15/10/1997
7800 9	EE Limited (Orange)	071-075 and 077-079	15/10/1997
7801 0	Telefonica UK Limited	071-075 and 077-079	15/10/1997
7801 1	Telefonica UK Limited	071-075 and 077-079	15/10/1997
7801 2	Telefonica UK Limited	071-075 and 077-079	15/10/1997
7801 3	Telefonica UK Limited	071-075 and 077-079	15/10/1997
7801 4	Telefonica UK Limited	071-075 and 077-079	15/10/1997
7801 5	Telefonica UK Limited	071-075 and 077-079	15/10/1997
7801 6	Telefonica UK Limited	071-075 and 077-079	15/10/1997
7801 7	Telefonica UK Limited	071-075 and 077-079	15/10/1997
7801 8	Telefonica UK Limited	071-075 and 077-079	15/10/1997
7801 9	Telefonica UK Limited	071-075 and 077-079	15/10/1997
7802 0	Telefonica UK Limited	071-075 and 077-079	15/12/1997
7802 1	Telefonica UK Limited	071-075 and 077-079	15/12/1997
7802 2	Telefonica UK Limited	071-075 and 077-079	15/12/1997
7802 3	Telefonica UK Limited	071-075 and 077-079	15/12/1997
7802 4	Telefonica UK Limited	071-075 and 077-079	15/12/1997
7802 5	Telefonica UK Limited	071-075 and 077-079	15/12/1997
7802 6	Telefonica UK Limited	071-075 and 077-079	15/12/1997
7802 7	Telefonica UK Limited	071-075 and 077-079	15/12/1997
7802 8	Telefonica UK Limited	071-075 and 077-079	15/12/1997
7802 9	Telefonica UK Limited	071-075 and 077-079	15/12/1997
7803 0	Telefonica UK Limited	071-075 and 077-079	15/10/1997
7803 1	Telefonica UK Limited	071-075 and 077-079	15/10/1997
7803 2	Telefonica UK Limited	071-075 and 077-079	15/10/1997
7803 3	Telefonica UK Limited	071-075 and 077-079	15/10/1997
7803 4	Telefonica UK Limited	071-075 and 077-079	15/10/1997
7803 5	Telefonica UK Limited	071-075 and 077-079	15/10/1997
7803 6	Telefonica UK Limited	071-075 and 077-079	15/10/1997
7803 7	Telefonica UK Limited	071-075 and 077-079	15/10/1997
7803 8	Telefonica UK Limited	071-075 and 077-079	15/10/1997
7803 9	Telefonica UK Limited	071-075 and 077-079	15/10/1997
7804 0	EE Limited (TM)	071-075 and 077-079	12/05/2005
7804 1	EE Limited (TM)	071-075 and 077-079	12/05/2005
7804 2	EE Limited (TM)	071-075 and 077-079	12/05/2005
7804 3	EE Limited (TM)	071-075 and 077-079	12/05/2005
7804 4	EE Limited (TM)	071-075 and 077-079	12/05/2005
7804 5	EE Limited (TM)	071-075 and 077-079	12/05/2005
7804 6	EE Limited (TM)	071-075 and 077-079	12/05/2005
7804 7	EE Limited (TM)	071-075 and 077-079	12/05/2005
7804 8	EE Limited (TM)	071-075 and 077-079	12/05/2005
7804 9	EE Limited (TM)	071-075 and 077-079	12/05/2005
7805 0	EE Limited (Orange)	071-075 and 077-079	17/05/2005
7805 1	EE Limited (Orange)	071-075 and 077-079	17/05/2005
7805 2	EE Limited (Orange)	071-075 and 077-079	17/05/2005
7805 3	EE Limited (Orange)	071-075 and 077-079	17/05/2005
7805 4	EE Limited (Orange)	071-075 and 077-079	17/05/2005
7805 5	EE Limited (Orange)	071-075 and 077-079	17/05/2005
7805 6	EE Limited (Orange)	071-075 and 077-079	17/05/2005

Number Block	CP Name	Number Block Type	Allocation Date
7805 7	EE Limited (Orange)	071-075 and 077-079	17/05/2005
7805 8	EE Limited (Orange)	071-075 and 077-079	17/05/2005
7805 9	EE Limited (Orange)	071-075 and 077-079	17/05/2005
7806 0	EE Limited (TM)	071-075 and 077-079	12/05/2005
7806 1	EE Limited (TM)	071-075 and 077-079	12/05/2005
7806 2	EE Limited (TM)	071-075 and 077-079	12/05/2005
7806 3	EE Limited (TM)	071-075 and 077-079	12/05/2005
7806 4	EE Limited (TM)	071-075 and 077-079	12/05/2005
7806 5	EE Limited (TM)	071-075 and 077-079	12/05/2005
7806 6	EE Limited (TM)	071-075 and 077-079	12/05/2005
7806 7	EE Limited (TM)	071-075 and 077-079	12/05/2005
7806 8	EE Limited (TM)	071-075 and 077-079	12/05/2005
7806 9	EE Limited (TM)	071-075 and 077-079	12/05/2005
7807 0	EE Limited (Orange)	071-075 and 077-079	17/05/2005
7807 1	EE Limited (Orange)	071-075 and 077-079	17/05/2005
7807 2	EE Limited (Orange)	071-075 and 077-079	17/05/2005
7807 3	EE Limited (Orange)	071-075 and 077-079	17/05/2005
7807 4	EE Limited (Orange)	071-075 and 077-079	17/05/2005
7807 5	EE Limited (Orange)	071-075 and 077-079	17/05/2005
7807 6	EE Limited (Orange)	071-075 and 077-079	17/05/2005
7807 7	EE Limited (Orange)	071-075 and 077-079	17/05/2005
7807 8	EE Limited (Orange)	071-075 and 077-079	17/05/2005
7807 9	EE Limited (Orange)	071-075 and 077-079	17/05/2005
7808 0	Telefonica UK Limited	071-075 and 077-079	15/10/1997
7808 1	Telefonica UK Limited	071-075 and 077-079	15/10/1997
7808 2	Telefonica UK Limited	071-075 and 077-079	15/10/1997
7808 3	Telefonica UK Limited	071-075 and 077-079	15/10/1997
7808 4	Telefonica UK Limited	071-075 and 077-079	15/10/1997
7808 5	Telefonica UK Limited	071-075 and 077-079	15/10/1997
7808 6	Telefonica UK Limited	071-075 and 077-079	15/10/1997
7808 7	Telefonica UK Limited	071-075 and 077-079	15/10/1997
7808 8	Telefonica UK Limited	071-075 and 077-079	15/10/1997
7808 9	Telefonica UK Limited	071-075 and 077-079	15/10/1997
7809 0	Telefonica UK Limited	071-075 and 077-079	15/10/1997
7809 1	Telefonica UK Limited	071-075 and 077-079	15/10/1997
7809 2	Telefonica UK Limited	071-075 and 077-079	15/10/1997
7809 3	Telefonica UK Limited	071-075 and 077-079	15/10/1997
7809 4	Telefonica UK Limited	071-075 and 077-079	15/10/1997
7809 5	Telefonica UK Limited	071-075 and 077-079	15/10/1997
7809 6	Telefonica UK Limited	071-075 and 077-079	15/10/1997
7809 7	Telefonica UK Limited	071-075 and 077-079	15/10/1997
7809 8	Telefonica UK Limited	071-075 and 077-079	15/10/1997
7809 9	Telefonica UK Limited	071-075 and 077-079	15/10/1997
7810 0	Vodafone Limited	071-075 and 077-079	29/09/2000
7810 1	Vodafone Limited	071-075 and 077-079	29/09/2000
7810 2	Vodafone Limited	071-075 and 077-079	29/09/2000
7810 3	Vodafone Limited	071-075 and 077-079	29/09/2000
7810 4	Vodafone Limited	071-075 and 077-079	29/09/2000
7810 5	Vodafone Limited	071-075 and 077-079	29/09/2000

Number Block	CP Name	Number Block Type	Allocation Date
7810 6	Vodafone Limited	071-075 and 077-079	29/09/2000
7810 7	Vodafone Limited	071-075 and 077-079	29/09/2000
7810 8	Vodafone Limited	071-075 and 077-079	29/09/2000
7810 9	Vodafone Limited	071-075 and 077-079	29/09/2000
7811 0	EE Limited (Orange)	071-075 and 077-079	23/02/2000
7811 1	EE Limited (Orange)	071-075 and 077-079	23/02/2000
7811 2	EE Limited (Orange)	071-075 and 077-079	23/02/2000
7811 3	EE Limited (Orange)	071-075 and 077-079	23/02/2000
7811 4	EE Limited (Orange)	071-075 and 077-079	23/02/2000
7811 5	EE Limited (Orange)	071-075 and 077-079	23/02/2000
7811 6	EE Limited (Orange)	071-075 and 077-079	23/02/2000
7811 7	EE Limited (Orange)	071-075 and 077-079	23/02/2000
7811 8	EE Limited (Orange)	071-075 and 077-079	23/02/2000
7811 9	EE Limited (Orange)	071-075 and 077-079	23/02/2000
7812 0	EE Limited (Orange)	071-075 and 077-079	27/09/2000
7812 1	EE Limited (Orange)	071-075 and 077-079	27/09/2000
7812 2	EE Limited (Orange)	071-075 and 077-079	27/09/2000
7812 3	EE Limited (Orange)	071-075 and 077-079	27/09/2000
7812 4	EE Limited (Orange)	071-075 and 077-079	27/09/2000
7812 5	EE Limited (Orange)	071-075 and 077-079	27/09/2000
7812 6	EE Limited (Orange)	071-075 and 077-079	27/09/2000
7812 7	EE Limited (Orange)	071-075 and 077-079	27/09/2000
7812 8	EE Limited (Orange)	071-075 and 077-079	27/09/2000
7812 9	EE Limited (Orange)	071-075 and 077-079	27/09/2000
7813 0	EE Limited (Orange)	071-075 and 077-079	27/09/2000
7813 1	EE Limited (Orange)	071-075 and 077-079	27/09/2000
7813 2	EE Limited (Orange)	071-075 and 077-079	27/09/2000
7813 3	EE Limited (Orange)	071-075 and 077-079	27/09/2000
7813 4	EE Limited (Orange)	071-075 and 077-079	27/09/2000
7813 5	EE Limited (Orange)	071-075 and 077-079	27/09/2000
7813 6	EE Limited (Orange)	071-075 and 077-079	27/09/2000
7813 7	EE Limited (Orange)	071-075 and 077-079	27/09/2000
7813 8	EE Limited (Orange)	071-075 and 077-079	27/09/2000
7813 9	EE Limited (Orange)	071-075 and 077-079	27/09/2000
7814 0	EE Limited (Orange)	071-075 and 077-079	27/09/2000
7814 1	EE Limited (Orange)	071-075 and 077-079	27/09/2000
7814 2	EE Limited (Orange)	071-075 and 077-079	27/09/2000
7814 3	EE Limited (Orange)	071-075 and 077-079	27/09/2000
7814 4	EE Limited (Orange)	071-075 and 077-079	27/09/2000
7814 5	EE Limited (Orange)	071-075 and 077-079	27/09/2000
7814 6	EE Limited (Orange)	071-075 and 077-079	27/09/2000
7814 7	EE Limited (Orange)	071-075 and 077-079	27/09/2000
7814 8	EE Limited (Orange)	071-075 and 077-079	27/09/2000
7814 9	EE Limited (Orange)	071-075 and 077-079	27/09/2000
7815 0	EE Limited (Orange)	071-075 and 077-079	27/09/2000
7815 1	EE Limited (Orange)	071-075 and 077-079	27/09/2000
7815 2	EE Limited (Orange)	071-075 and 077-079	27/09/2000
7815 3	EE Limited (Orange)	071-075 and 077-079	27/09/2000
7815 4	EE Limited (Orange)	071-075 and 077-079	27/09/2000

Number Block	CP Name	Number Block Type	Allocation Date
7815 5	EE Limited (Orange)	071-075 and 077-079	27/09/2000
7815 6	EE Limited (Orange)	071-075 and 077-079	27/09/2000
7815 7	EE Limited (Orange)	071-075 and 077-079	27/09/2000
7815 8	EE Limited (Orange)	071-075 and 077-079	27/09/2000
7815 9	EE Limited (Orange)	071-075 and 077-079	27/09/2000
7816 0	EE Limited (Orange)	071-075 and 077-079	27/09/2000
7816 1	EE Limited (Orange)	071-075 and 077-079	27/09/2000
7816 2	EE Limited (Orange)	071-075 and 077-079	27/09/2000
7816 3	EE Limited (Orange)	071-075 and 077-079	27/09/2000
7816 4	EE Limited (Orange)	071-075 and 077-079	27/09/2000
7816 5	EE Limited (Orange)	071-075 and 077-079	27/09/2000
7816 6	EE Limited (Orange)	071-075 and 077-079	27/09/2000
7816 7	EE Limited (Orange)	071-075 and 077-079	27/09/2000
7816 8	EE Limited (Orange)	071-075 and 077-079	27/09/2000
7816 9	EE Limited (Orange)	071-075 and 077-079	27/09/2000
7817 0	EE Limited (Orange)	071-075 and 077-079	27/09/2000
7817 1	EE Limited (Orange)	071-075 and 077-079	27/09/2000
7817 2	EE Limited (Orange)	071-075 and 077-079	27/09/2000
7817 3	EE Limited (Orange)	071-075 and 077-079	27/09/2000
7817 4	EE Limited (Orange)	071-075 and 077-079	27/09/2000
7817 5	EE Limited (Orange)	071-075 and 077-079	27/09/2000
7817 6	EE Limited (Orange)	071-075 and 077-079	27/09/2000
7817 7	EE Limited (Orange)	071-075 and 077-079	27/09/2000
7817 8	EE Limited (Orange)	071-075 and 077-079	27/09/2000
7817 9	EE Limited (Orange)	071-075 and 077-079	27/09/2000
7818 0	Vodafone Limited	071-075 and 077-079	30/06/1999
7818 1	Vodafone Limited	071-075 and 077-079	30/06/1999
7818 2	Vodafone Limited	071-075 and 077-079	30/06/1999
7818 3	Vodafone Limited	071-075 and 077-079	30/06/1999
7818 4	Vodafone Limited	071-075 and 077-079	30/06/1999
7818 5	Vodafone Limited	071-075 and 077-079	30/06/1999
7818 6	Vodafone Limited	071-075 and 077-079	30/06/1999
7818 7	Vodafone Limited	071-075 and 077-079	30/06/1999
7818 8	Vodafone Limited	071-075 and 077-079	30/06/1999
7818 9	Vodafone Limited	071-075 and 077-079	30/06/1999
7819 0	Telefonica UK Limited	071-075 and 077-079	30/01/2003
7819 1	Telefonica UK Limited	071-075 and 077-079	30/01/2003
7819 2	Telefonica UK Limited	071-075 and 077-079	30/01/2003
7819 3	Telefonica UK Limited	071-075 and 077-079	30/01/2003
7819 4	Telefonica UK Limited	071-075 and 077-079	30/01/2003
7819 5	Telefonica UK Limited	071-075 and 077-079	30/01/2003
7819 6	Telefonica UK Limited	071-075 and 077-079	30/01/2003
7819 7	Telefonica UK Limited	071-075 and 077-079	30/01/2003
7819 8	Telefonica UK Limited	071-075 and 077-079	30/01/2003
7819 9	Telefonica UK Limited	071-075 and 077-079	30/01/2003
7820 0	Telefonica UK Limited	071-075 and 077-079	30/01/2003
7820 1	Telefonica UK Limited	071-075 and 077-079	30/01/2003
7820 2	Telefonica UK Limited	071-075 and 077-079	30/01/2003
7820 3	Telefonica UK Limited	071-075 and 077-079	30/01/2003

Number Block	CP Name	Number Block Type	Allocation Date
7820 4	Telefonica UK Limited	071-075 and 077-079	30/01/2003
7820 5	Telefonica UK Limited	071-075 and 077-079	30/01/2003
7820 6	Telefonica UK Limited	071-075 and 077-079	30/01/2003
7820 7	Telefonica UK Limited	071-075 and 077-079	30/01/2003
7820 8	Telefonica UK Limited	071-075 and 077-079	30/01/2003
7820 9	Telefonica UK Limited	071-075 and 077-079	30/01/2003
7821 0	Telefonica UK Limited	071-075 and 077-079	02/10/2003
7821 1	Telefonica UK Limited	071-075 and 077-079	02/10/2003
7821 2	Telefonica UK Limited	071-075 and 077-079	02/10/2003
7821 3	Telefonica UK Limited	071-075 and 077-079	02/10/2003
7821 4	Telefonica UK Limited	071-075 and 077-079	02/10/2003
7821 5	Telefonica UK Limited	071-075 and 077-079	02/10/2003
7821 6	Telefonica UK Limited	071-075 and 077-079	02/10/2003
7821 7	Telefonica UK Limited	071-075 and 077-079	02/10/2003
7821 8	Telefonica UK Limited	071-075 and 077-079	02/10/2003
7821 9	Telefonica UK Limited	071-075 and 077-079	02/10/2003
7822 0	FlexTel Limited	071-075 and 077-079	31/01/2006
7822 1	Swiftnet Ltd	071-075 and 077-079	16/06/2006
7822 4	AQL Wholesale Ltd	071-075 and 077-079	14/07/2006
7822 5	Icron Network Limited	071-075 and 077-079	30/01/2007
7822 6	AQL Wholesale Ltd	071-075 and 077-079	14/07/2006
7822 8	Vodafone Limited	071-075 and 077-079	21/04/2016
7822 9	Dynamic Mobile Billing Limited	071-075 and 077-079	19/01/2007
7823 0	Vodafone Limited	071-075 and 077-079	26/07/2005
7823 1	Vodafone Limited	071-075 and 077-079	26/07/2005
7823 2	Vodafone Limited	071-075 and 077-079	26/07/2005
7823 3	Vodafone Limited	071-075 and 077-079	26/07/2005
7823 4	Vodafone Limited	071-075 and 077-079	26/07/2005
7823 5	Vodafone Limited	071-075 and 077-079	26/07/2005
7823 6	Vodafone Limited	071-075 and 077-079	26/07/2005
7823 7	Vodafone Limited	071-075 and 077-079	26/07/2005
7823 8	Vodafone Limited	071-075 and 077-079	26/07/2005
7823 9	Vodafone Limited	071-075 and 077-079	26/07/2005
7824 0	Vodafone Limited	071-075 and 077-079	26/07/2005
7824 1	Vodafone Limited	071-075 and 077-079	26/07/2005
7824 2	Vodafone Limited	071-075 and 077-079	26/07/2005
7824 3	Vodafone Limited	071-075 and 077-079	26/07/2005
7824 4	Vodafone Limited	071-075 and 077-079	26/07/2005
7824 5	Vodafone Limited	071-075 and 077-079	26/07/2005
7824 6	Vodafone Limited	071-075 and 077-079	26/07/2005
7824 7	Vodafone Limited	071-075 and 077-079	26/07/2005
7824 8	Vodafone Limited	071-075 and 077-079	26/07/2005
7824 9	Vodafone Limited	071-075 and 077-079	26/07/2005
7825 0	Vodafone Limited	071-075 and 077-079	26/07/2005
7825 1	Vodafone Limited	071-075 and 077-079	26/07/2005
7825 2	Vodafone Limited	071-075 and 077-079	26/07/2005
7825 3	Vodafone Limited	071-075 and 077-079	26/07/2005
7825 4	Vodafone Limited	071-075 and 077-079	26/07/2005
7825 5	Vodafone Limited	071-075 and 077-079	26/07/2005

Number Block	CP Name	Number Block Type	Allocation Date
7825 6	Vodafone Limited	071-075 and 077-079	26/07/2005
7825 7	Vodafone Limited	071-075 and 077-079	26/07/2005
7825 8	Vodafone Limited	071-075 and 077-079	26/07/2005
7825 9	Vodafone Limited	071-075 and 077-079	26/07/2005
7826 0	Vodafone Limited	071-075 and 077-079	26/07/2005
7826 1	Vodafone Limited	071-075 and 077-079	26/07/2005
7826 2	Vodafone Limited	071-075 and 077-079	26/07/2005
7826 3	Vodafone Limited	071-075 and 077-079	26/07/2005
7826 4	Vodafone Limited	071-075 and 077-079	26/07/2005
7826 5	Vodafone Limited	071-075 and 077-079	26/07/2005
7826 6	Vodafone Limited	071-075 and 077-079	26/07/2005
7826 7	Vodafone Limited	071-075 and 077-079	26/07/2005
7826 8	Vodafone Limited	071-075 and 077-079	26/07/2005
7826 9	Vodafone Limited	071-075 and 077-079	26/07/2005
7827 0	Vodafone Limited	071-075 and 077-079	26/07/2005
7827 1	Vodafone Limited	071-075 and 077-079	26/07/2005
7827 2	Vodafone Limited	071-075 and 077-079	26/07/2005
7827 3	Vodafone Limited	071-075 and 077-079	26/07/2005
7827 4	Vodafone Limited	071-075 and 077-079	26/07/2005
7827 5	Vodafone Limited	071-075 and 077-079	26/07/2005
7827 6	Vodafone Limited	071-075 and 077-079	26/07/2005
7827 7	Vodafone Limited	071-075 and 077-079	26/07/2005
7827 8	Vodafone Limited	071-075 and 077-079	26/07/2005
7827 9	Vodafone Limited	071-075 and 077-079	26/07/2005
7828 0	Hutchison 3G UK Ltd	071-075 and 077-079	12/09/2005
7828 1	Hutchison 3G UK Ltd	071-075 and 077-079	12/09/2005
7828 2	Hutchison 3G UK Ltd	071-075 and 077-079	12/09/2005
7828 3	Hutchison 3G UK Ltd	071-075 and 077-079	12/09/2005
7828 4	Hutchison 3G UK Ltd	071-075 and 077-079	12/09/2005
7828 5	Hutchison 3G UK Ltd	071-075 and 077-079	12/09/2005
7828 6	Hutchison 3G UK Ltd	071-075 and 077-079	12/09/2005
7828 7	Hutchison 3G UK Ltd	071-075 and 077-079	12/09/2005
7828 8	Hutchison 3G UK Ltd	071-075 and 077-079	12/09/2005
7828 9	Hutchison 3G UK Ltd	071-075 and 077-079	12/09/2005
7829 7	Jersey Airtel Limited	071-075 and 077-079	12/07/2006
7829 8	Jersey Airtel Limited	071-075 and 077-079	12/07/2006
7829 9	Jersey Airtel Limited	071-075 and 077-079	12/07/2006
7830 0	Hutchison 3G UK Ltd	071-075 and 077-079	20/12/2002
7830 1	Hutchison 3G UK Ltd	071-075 and 077-079	20/12/2002
7830 2	Hutchison 3G UK Ltd	071-075 and 077-079	20/12/2002
7830 3	Hutchison 3G UK Ltd	071-075 and 077-079	20/12/2002
7830 4	Hutchison 3G UK Ltd	071-075 and 077-079	20/12/2002
7830 5	Hutchison 3G UK Ltd	071-075 and 077-079	20/12/2002
7830 6	Hutchison 3G UK Ltd	071-075 and 077-079	20/12/2002
7830 7	Hutchison 3G UK Ltd	071-075 and 077-079	20/12/2002
7830 8	Hutchison 3G UK Ltd	071-075 and 077-079	20/12/2002
7830 9	Hutchison 3G UK Ltd	071-075 and 077-079	20/12/2002
7831 0	Vodafone Limited	071-075 and 077-079	01/10/1998
7831 1	Vodafone Limited	071-075 and 077-079	01/10/1998

Number Block	CP Name	Number Block Type	Allocation Date
7831 2	Vodafone Limited	071-075 and 077-079	01/10/1998
7831 3	Vodafone Limited	071-075 and 077-079	01/10/1998
7831 4	Vodafone Limited	071-075 and 077-079	01/10/1998
7831 5	Vodafone Limited	071-075 and 077-079	01/10/1998
7831 6	Vodafone Limited	071-075 and 077-079	01/10/1998
7831 7	Vodafone Limited	071-075 and 077-079	01/10/1998
7831 8	Vodafone Limited	071-075 and 077-079	01/10/1998
7831 9	Vodafone Limited	071-075 and 077-079	01/10/1998
7832 0	Hutchison 3G UK Ltd	071-075 and 077-079	26/08/2003
7832 1	Hutchison 3G UK Ltd	071-075 and 077-079	26/08/2003
7832 2	Hutchison 3G UK Ltd	071-075 and 077-079	26/08/2003
7832 3	Hutchison 3G UK Ltd	071-075 and 077-079	26/08/2003
7832 4	Hutchison 3G UK Ltd	071-075 and 077-079	26/08/2003
7832 5	Hutchison 3G UK Ltd	071-075 and 077-079	26/08/2003
7832 6	Hutchison 3G UK Ltd	071-075 and 077-079	26/08/2003
7832 7	Hutchison 3G UK Ltd	071-075 and 077-079	26/08/2003
7832 8	Hutchison 3G UK Ltd	071-075 and 077-079	26/08/2003
7832 9	Hutchison 3G UK Ltd	071-075 and 077-079	26/08/2003
7833 0	Vodafone Limited	071-075 and 077-079	30/06/1999
7833 1	Vodafone Limited	071-075 and 077-079	30/06/1999
7833 2	Vodafone Limited	071-075 and 077-079	30/06/1999
7833 3	Vodafone Limited	071-075 and 077-079	30/06/1999
7833 4	Vodafone Limited	071-075 and 077-079	30/06/1999
7833 5	Vodafone Limited	071-075 and 077-079	30/06/1999
7833 6	Vodafone Limited	071-075 and 077-079	30/06/1999
7833 7	Vodafone Limited	071-075 and 077-079	30/06/1999
7833 8	Vodafone Limited	071-075 and 077-079	30/06/1999
7833 9	Vodafone Limited	071-075 and 077-079	30/06/1999
7834 0	Telefonica UK Limited	071-075 and 077-079	02/10/2003
7834 1	Telefonica UK Limited	071-075 and 077-079	02/10/2003
7834 2	Telefonica UK Limited	071-075 and 077-079	02/10/2003
7834 3	Telefonica UK Limited	071-075 and 077-079	02/10/2003
7834 4	Telefonica UK Limited	071-075 and 077-079	02/10/2003
7834 5	Telefonica UK Limited	071-075 and 077-079	02/10/2003
7834 6	Telefonica UK Limited	071-075 and 077-079	02/10/2003
7834 7	Telefonica UK Limited	071-075 and 077-079	02/10/2003
7834 8	Telefonica UK Limited	071-075 and 077-079	02/10/2003
7834 9	Telefonica UK Limited	071-075 and 077-079	02/10/2003
7835 0	Telefonica UK Limited	071-075 and 077-079	12/02/2004
7835 1	Telefonica UK Limited	071-075 and 077-079	12/02/2004
7835 2	Telefonica UK Limited	071-075 and 077-079	12/02/2004
7835 3	Telefonica UK Limited	071-075 and 077-079	12/02/2004
7835 4	Telefonica UK Limited	071-075 and 077-079	12/02/2004
7835 5	Telefonica UK Limited	071-075 and 077-079	12/02/2004
7835 6	Telefonica UK Limited	071-075 and 077-079	12/02/2004
7835 7	Telefonica UK Limited	071-075 and 077-079	12/02/2004
7835 8	Telefonica UK Limited	071-075 and 077-079	12/02/2004
7835 9	Telefonica UK Limited	071-075 and 077-079	12/02/2004
7836 0	Vodafone Limited	071-075 and 077-079	01/10/1998

Number Block	CP Name	Number Block Type	Allocation Date
7836 1	Vodafone Limited	071-075 and 077-079	01/10/1998
7836 2	Vodafone Limited	071-075 and 077-079	01/10/1998
7836 3	Vodafone Limited	071-075 and 077-079	01/10/1998
7836 4	Vodafone Limited	071-075 and 077-079	01/10/1998
7836 5	Vodafone Limited	071-075 and 077-079	01/10/1998
7836 6	Vodafone Limited	071-075 and 077-079	01/10/1998
7836 7	Vodafone Limited	071-075 and 077-079	01/10/1998
7836 8	Vodafone Limited	071-075 and 077-079	01/10/1998
7836 9	Vodafone Limited	071-075 and 077-079	01/10/1998
7837 0	EE Limited (Orange)	071-075 and 077-079	17/09/2003
7837 1	EE Limited (Orange)	071-075 and 077-079	17/09/2003
7837 2	EE Limited (Orange)	071-075 and 077-079	17/09/2003
7837 3	EE Limited (Orange)	071-075 and 077-079	17/09/2003
7837 4	EE Limited (Orange)	071-075 and 077-079	17/09/2003
7837 5	EE Limited (Orange)	071-075 and 077-079	17/09/2003
7837 6	EE Limited (Orange)	071-075 and 077-079	17/09/2003
7837 7	EE Limited (Orange)	071-075 and 077-079	17/09/2003
7837 8	EE Limited (Orange)	071-075 and 077-079	17/09/2003
7837 9	EE Limited (Orange)	071-075 and 077-079	17/09/2003
7838 0	Hutchison 3G UK Ltd	071-075 and 077-079	24/04/2003
7838 1	Hutchison 3G UK Ltd	071-075 and 077-079	24/04/2003
7838 2	Hutchison 3G UK Ltd	071-075 and 077-079	24/04/2003
7838 3	Hutchison 3G UK Ltd	071-075 and 077-079	24/04/2003
7838 4	Hutchison 3G UK Ltd	071-075 and 077-079	24/04/2003
7838 5	Hutchison 3G UK Ltd	071-075 and 077-079	24/04/2003
7838 6	Hutchison 3G UK Ltd	071-075 and 077-079	24/04/2003
7838 7	Hutchison 3G UK Ltd	071-075 and 077-079	24/04/2003
7838 8	Hutchison 3G UK Ltd	071-075 and 077-079	24/04/2003
7838 9	Hutchison 3G UK Ltd	071-075 and 077-079	24/04/2003
7839 1	Guernsey Airtel Limited	071-075 and 077-079	19/07/2007
7839 2	Guernsey Airtel Limited	071-075 and 077-079	31/05/2007
7839 7	Guernsey Airtel Limited	071-075 and 077-079	19/07/2007
7839 8	Sure (Guernsey) Limited	071-075 and 077-079	02/12/2002
7840 0	Telefonica UK Limited	071-075 and 077-079	12/02/2004
7840 1	Telefonica UK Limited	071-075 and 077-079	12/02/2004
7840 2	Telefonica UK Limited	071-075 and 077-079	12/02/2004
7840 3	Telefonica UK Limited	071-075 and 077-079	12/02/2004
7840 4	Telefonica UK Limited	071-075 and 077-079	12/02/2004
7840 5	Telefonica UK Limited	071-075 and 077-079	12/02/2004
7840 6	Telefonica UK Limited	071-075 and 077-079	12/02/2004
7840 7	Telefonica UK Limited	071-075 and 077-079	12/02/2004
7840 8	Telefonica UK Limited	071-075 and 077-079	12/02/2004
7840 9	Telefonica UK Limited	071-075 and 077-079	12/02/2004
7841 0	Telefonica UK Limited	071-075 and 077-079	24/05/2004
7841 1	Telefonica UK Limited	071-075 and 077-079	24/05/2004
7841 2	Telefonica UK Limited	071-075 and 077-079	24/05/2004
7841 3	Telefonica UK Limited	071-075 and 077-079	24/05/2004
7841 4	Telefonica UK Limited	071-075 and 077-079	24/05/2004
7841 5	Telefonica UK Limited	071-075 and 077-079	24/05/2004

Number Block	CP Name	Number Block Type	Allocation Date
7841 6	Telefonica UK Limited	071-075 and 077-079	24/05/2004
7841 7	Telefonica UK Limited	071-075 and 077-079	24/05/2004
7841 8	Telefonica UK Limited	071-075 and 077-079	24/05/2004
7841 9	Telefonica UK Limited	071-075 and 077-079	24/05/2004
7842 0	Telefonica UK Limited	071-075 and 077-079	24/08/2005
7842 1	Telefonica UK Limited	071-075 and 077-079	24/08/2005
7842 2	Telefonica UK Limited	071-075 and 077-079	24/08/2005
7842 3	Telefonica UK Limited	071-075 and 077-079	24/08/2005
7842 4	Telefonica UK Limited	071-075 and 077-079	24/08/2005
7842 5	Telefonica UK Limited	071-075 and 077-079	24/08/2005
7842 6	Telefonica UK Limited	071-075 and 077-079	24/08/2005
7842 7	Telefonica UK Limited	071-075 and 077-079	24/08/2005
7842 8	Telefonica UK Limited	071-075 and 077-079	24/08/2005
7842 9	Telefonica UK Limited	071-075 and 077-079	24/08/2005
7843 0	Telefonica UK Limited	071-075 and 077-079	12/02/2004
7843 1	Telefonica UK Limited	071-075 and 077-079	12/02/2004
7843 2	Telefonica UK Limited	071-075 and 077-079	12/02/2004
7843 3	Telefonica UK Limited	071-075 and 077-079	12/02/2004
7843 4	Telefonica UK Limited	071-075 and 077-079	12/02/2004
7843 5	Telefonica UK Limited	071-075 and 077-079	12/02/2004
7843 6	Telefonica UK Limited	071-075 and 077-079	12/02/2004
7843 7	Telefonica UK Limited	071-075 and 077-079	12/02/2004
7843 8	Telefonica UK Limited	071-075 and 077-079	12/02/2004
7843 9	Telefonica UK Limited	071-075 and 077-079	12/02/2004
7844 0	Telefonica UK Limited	071-075 and 077-079	30/06/2005
7844 1	Telefonica UK Limited	071-075 and 077-079	30/06/2005
7844 2	Telefonica UK Limited	071-075 and 077-079	30/06/2005
7844 3	Telefonica UK Limited	071-075 and 077-079	30/06/2005
7844 4	Telefonica UK Limited	071-075 and 077-079	30/06/2005
7844 5	Telefonica UK Limited	071-075 and 077-079	30/06/2005
7844 6	Telefonica UK Limited	071-075 and 077-079	30/06/2005
7844 7	Telefonica UK Limited	071-075 and 077-079	30/06/2005
7844 8	Telefonica UK Limited	071-075 and 077-079	30/06/2005
7844 9	Telefonica UK Limited	071-075 and 077-079	30/06/2005
7845 0	Telefonica UK Limited	071-075 and 077-079	24/05/2004
7845 1	Telefonica UK Limited	071-075 and 077-079	24/05/2004
7845 2	Telefonica UK Limited	071-075 and 077-079	24/05/2004
7845 3	Telefonica UK Limited	071-075 and 077-079	24/05/2004
7845 4	Telefonica UK Limited	071-075 and 077-079	24/05/2004
7845 5	Telefonica UK Limited	071-075 and 077-079	24/05/2004
7845 6	Telefonica UK Limited	071-075 and 077-079	24/05/2004
7845 7	Telefonica UK Limited	071-075 and 077-079	24/05/2004
7845 8	Telefonica UK Limited	071-075 and 077-079	24/05/2004
7845 9	Telefonica UK Limited	071-075 and 077-079	24/05/2004
7846 0	Hutchison 3G UK Ltd	071-075 and 077-079	12/09/2005
7846 1	Hutchison 3G UK Ltd	071-075 and 077-079	12/09/2005
7846 2	Hutchison 3G UK Ltd	071-075 and 077-079	12/09/2005
7846 3	Hutchison 3G UK Ltd	071-075 and 077-079	12/09/2005
7846 4	Hutchison 3G UK Ltd	071-075 and 077-079	12/09/2005

Number Block	CP Name	Number Block Type	Allocation Date
7846 5	Hutchison 3G UK Ltd	071-075 and 077-079	12/09/2005
7846 6	Hutchison 3G UK Ltd	071-075 and 077-079	12/09/2005
7846 7	Hutchison 3G UK Ltd	071-075 and 077-079	12/09/2005
7846 8	Hutchison 3G UK Ltd	071-075 and 077-079	12/09/2005
7846 9	Hutchison 3G UK Ltd	071-075 and 077-079	12/09/2005
7847 0	EE Limited (TM)	071-075 and 077-079	20/09/2005
7847 1	EE Limited (TM)	071-075 and 077-079	20/09/2005
7847 2	EE Limited (TM)	071-075 and 077-079	20/09/2005
7847 3	EE Limited (TM)	071-075 and 077-079	20/09/2005
7847 4	EE Limited (TM)	071-075 and 077-079	20/09/2005
7847 5	EE Limited (TM)	071-075 and 077-079	20/09/2005
7847 6	EE Limited (TM)	071-075 and 077-079	20/09/2005
7847 7	EE Limited (TM)	071-075 and 077-079	20/09/2005
7847 8	EE Limited (TM)	071-075 and 077-079	20/09/2005
7847 9	EE Limited (TM)	071-075 and 077-079	20/09/2005
7848 0	Hutchison 3G UK Ltd	071-075 and 077-079	12/09/2005
7848 1	Hutchison 3G UK Ltd	071-075 and 077-079	12/09/2005
7848 2	Hutchison 3G UK Ltd	071-075 and 077-079	12/09/2005
7848 3	Hutchison 3G UK Ltd	071-075 and 077-079	12/09/2005
7848 4	Hutchison 3G UK Ltd	071-075 and 077-079	12/09/2005
7848 5	Hutchison 3G UK Ltd	071-075 and 077-079	12/09/2005
7848 6	Hutchison 3G UK Ltd	071-075 and 077-079	12/09/2005
7848 7	Hutchison 3G UK Ltd	071-075 and 077-079	12/09/2005
7848 8	Hutchison 3G UK Ltd	071-075 and 077-079	12/09/2005
7848 9	Hutchison 3G UK Ltd	071-075 and 077-079	12/09/2005
7849 0	Telefonica UK Limited	071-075 and 077-079	24/05/2004
7849 1	Telefonica UK Limited	071-075 and 077-079	24/05/2004
7849 2	Telefonica UK Limited	071-075 and 077-079	24/05/2004
7849 3	Telefonica UK Limited	071-075 and 077-079	24/05/2004
7849 4	Telefonica UK Limited	071-075 and 077-079	24/05/2004
7849 5	Telefonica UK Limited	071-075 and 077-079	24/05/2004
7849 6	Telefonica UK Limited	071-075 and 077-079	24/05/2004
7849 7	Telefonica UK Limited	071-075 and 077-079	24/05/2004
7849 8	Telefonica UK Limited	071-075 and 077-079	24/05/2004
7849 9	Telefonica UK Limited	071-075 and 077-079	24/05/2004
7850 0	Telefonica UK Limited	071-075 and 077-079	15/12/1997
7850 1	Telefonica UK Limited	071-075 and 077-079	15/12/1997
7850 2	Telefonica UK Limited	071-075 and 077-079	15/12/1997
7850 3	Telefonica UK Limited	071-075 and 077-079	15/12/1997
7850 4	Telefonica UK Limited	071-075 and 077-079	15/12/1997
7850 5	Telefonica UK Limited	071-075 and 077-079	15/12/1997
7850 6	Telefonica UK Limited	071-075 and 077-079	15/12/1997
7850 7	Telefonica UK Limited	071-075 and 077-079	15/12/1997
7850 8	Telefonica UK Limited	071-075 and 077-079	15/12/1997
7850 9	Telefonica UK Limited	071-075 and 077-079	15/12/1997
7851 0	Telefonica UK Limited	071-075 and 077-079	24/05/2004
7851 1	Telefonica UK Limited	071-075 and 077-079	24/05/2004
7851 2	Telefonica UK Limited	071-075 and 077-079	24/05/2004
7851 3	Telefonica UK Limited	071-075 and 077-079	24/05/2004

Number Block	CP Name	Number Block Type	Allocation Date
7851 4	Telefonica UK Limited	071-075 and 077-079	24/05/2004
7851 5	Telefonica UK Limited	071-075 and 077-079	24/05/2004
7851 6	Telefonica UK Limited	071-075 and 077-079	24/05/2004
7851 7	Telefonica UK Limited	071-075 and 077-079	24/05/2004
7851 8	Telefonica UK Limited	071-075 and 077-079	24/05/2004
7851 9	Telefonica UK Limited	071-075 and 077-079	24/05/2004
7852 0	EE Limited (TM)	071-075 and 077-079	20/09/2005
7852 1	EE Limited (TM)	071-075 and 077-079	20/09/2005
7852 2	EE Limited (TM)	071-075 and 077-079	20/09/2005
7852 3	EE Limited (TM)	071-075 and 077-079	20/09/2005
7852 4	EE Limited (TM)	071-075 and 077-079	20/09/2005
7852 5	EE Limited (TM)	071-075 and 077-079	20/09/2005
7852 6	EE Limited (TM)	071-075 and 077-079	20/09/2005
7852 7	EE Limited (TM)	071-075 and 077-079	20/09/2005
7852 8	EE Limited (TM)	071-075 and 077-079	20/09/2005
7852 9	EE Limited (TM)	071-075 and 077-079	20/09/2005
7853 0	Hutchison 3G UK Ltd	071-075 and 077-079	12/09/2005
7853 1	Hutchison 3G UK Ltd	071-075 and 077-079	12/09/2005
7853 2	Hutchison 3G UK Ltd	071-075 and 077-079	12/09/2005
7853 3	Hutchison 3G UK Ltd	071-075 and 077-079	12/09/2005
7853 4	Hutchison 3G UK Ltd	071-075 and 077-079	12/09/2005
7853 5	Hutchison 3G UK Ltd	071-075 and 077-079	12/09/2005
7853 6	Hutchison 3G UK Ltd	071-075 and 077-079	12/09/2005
7853 7	Hutchison 3G UK Ltd	071-075 and 077-079	12/09/2005
7853 8	Hutchison 3G UK Ltd	071-075 and 077-079	12/09/2005
7853 9	Hutchison 3G UK Ltd	071-075 and 077-079	12/09/2005
7854 0	EE Limited (Orange)	071-075 and 077-079	13/03/2004
7854 1	EE Limited (Orange)	071-075 and 077-079	13/03/2004
7854 2	EE Limited (Orange)	071-075 and 077-079	13/03/2004
7854 3	EE Limited (Orange)	071-075 and 077-079	13/03/2004
7854 4	EE Limited (Orange)	071-075 and 077-079	13/03/2004
7854 5	EE Limited (Orange)	071-075 and 077-079	13/03/2004
7854 6	EE Limited (Orange)	071-075 and 077-079	13/03/2004
7854 7	EE Limited (Orange)	071-075 and 077-079	13/03/2004
7854 8	EE Limited (Orange)	071-075 and 077-079	13/03/2004
7854 9	EE Limited (Orange)	071-075 and 077-079	13/03/2004
7855 0	EE Limited (Orange)	071-075 and 077-079	23/02/2000
7855 1	EE Limited (Orange)	071-075 and 077-079	23/02/2000
7855 2	EE Limited (Orange)	071-075 and 077-079	23/02/2000
7855 3	EE Limited (Orange)	071-075 and 077-079	23/02/2000
7855 4	EE Limited (Orange)	071-075 and 077-079	23/02/2000
7855 5	EE Limited (Orange)	071-075 and 077-079	23/02/2000
7855 6	EE Limited (Orange)	071-075 and 077-079	23/02/2000
7855 7	EE Limited (Orange)	071-075 and 077-079	23/02/2000
7855 8	EE Limited (Orange)	071-075 and 077-079	23/02/2000
7855 9	EE Limited (Orange)	071-075 and 077-079	23/02/2000
7856 0	Telefonica UK Limited	071-075 and 077-079	25/10/2005
7856 1	Telefonica UK Limited	071-075 and 077-079	25/10/2005
7856 2	Telefonica UK Limited	071-075 and 077-079	25/10/2005

Number Block	CP Name	Number Block Type	Allocation Date
7856 3	Telefonica UK Limited	071-075 and 077-079	25/10/2005
7856 4	Telefonica UK Limited	071-075 and 077-079	25/10/2005
7856 5	Telefonica UK Limited	071-075 and 077-079	25/10/2005
7856 6	Telefonica UK Limited	071-075 and 077-079	25/10/2005
7856 7	Telefonica UK Limited	071-075 and 077-079	25/10/2005
7856 8	Telefonica UK Limited	071-075 and 077-079	25/10/2005
7856 9	Telefonica UK Limited	071-075 and 077-079	25/10/2005
7857 0	Telefonica UK Limited	071-075 and 077-079	25/10/2005
7857 1	Telefonica UK Limited	071-075 and 077-079	25/10/2005
7857 2	Telefonica UK Limited	071-075 and 077-079	25/10/2005
7857 3	Telefonica UK Limited	071-075 and 077-079	25/10/2005
7857 4	Telefonica UK Limited	071-075 and 077-079	25/10/2005
7857 5	Telefonica UK Limited	071-075 and 077-079	25/10/2005
7857 6	Telefonica UK Limited	071-075 and 077-079	25/10/2005
7857 7	Telefonica UK Limited	071-075 and 077-079	25/10/2005
7857 8	Telefonica UK Limited	071-075 and 077-079	25/10/2005
7857 9	Telefonica UK Limited	071-075 and 077-079	25/10/2005
7858 0	Telefonica UK Limited	071-075 and 077-079	25/10/2005
7858 1	Telefonica UK Limited	071-075 and 077-079	25/10/2005
7858 2	Telefonica UK Limited	071-075 and 077-079	25/10/2005
7858 3	Telefonica UK Limited	071-075 and 077-079	25/10/2005
7858 4	Telefonica UK Limited	071-075 and 077-079	25/10/2005
7858 5	Telefonica UK Limited	071-075 and 077-079	25/10/2005
7858 6	Telefonica UK Limited	071-075 and 077-079	25/10/2005
7858 7	Telefonica UK Limited	071-075 and 077-079	25/10/2005
7858 8	Telefonica UK Limited	071-075 and 077-079	25/10/2005
7858 9	Telefonica UK Limited	071-075 and 077-079	25/10/2005
7859 0	Hutchison 3G UK Ltd	071-075 and 077-079	03/09/2004
7859 1	Hutchison 3G UK Ltd	071-075 and 077-079	03/09/2004
7859 2	Hutchison 3G UK Ltd	071-075 and 077-079	03/09/2004
7859 3	Hutchison 3G UK Ltd	071-075 and 077-079	03/09/2004
7859 4	Hutchison 3G UK Ltd	071-075 and 077-079	03/09/2004
7859 5	Hutchison 3G UK Ltd	071-075 and 077-079	03/09/2004
7859 6	Hutchison 3G UK Ltd	071-075 and 077-079	03/09/2004
7859 7	Hutchison 3G UK Ltd	071-075 and 077-079	03/09/2004
7859 8	Hutchison 3G UK Ltd	071-075 and 077-079	03/09/2004
7859 9	Hutchison 3G UK Ltd	071-075 and 077-079	03/09/2004
7860 0	Telefonica UK Limited	071-075 and 077-079	15/12/1997
7860 1	Telefonica UK Limited	071-075 and 077-079	15/12/1997
7860 2	Telefonica UK Limited	071-075 and 077-079	15/12/1997
7860 3	Telefonica UK Limited	071-075 and 077-079	15/12/1997
7860 4	Telefonica UK Limited	071-075 and 077-079	15/12/1997
7860 5	Telefonica UK Limited	071-075 and 077-079	15/12/1997
7860 6	Telefonica UK Limited	071-075 and 077-079	15/12/1997
7860 7	Telefonica UK Limited	071-075 and 077-079	15/12/1997
7860 8	Telefonica UK Limited	071-075 and 077-079	15/12/1997
7860 9	Telefonica UK Limited	071-075 and 077-079	15/12/1997
7861 0	Hutchison 3G UK Ltd	071-075 and 077-079	26/08/2003
7861 1	Hutchison 3G UK Ltd	071-075 and 077-079	26/08/2003

Number Block	CP Name	Number Block Type	Allocation Date
7861 2	Hutchison 3G UK Ltd	071-075 and 077-079	26/08/2003
7861 3	Hutchison 3G UK Ltd	071-075 and 077-079	26/08/2003
7861 4	Hutchison 3G UK Ltd	071-075 and 077-079	26/08/2003
7861 5	Hutchison 3G UK Ltd	071-075 and 077-079	26/08/2003
7861 6	Hutchison 3G UK Ltd	071-075 and 077-079	26/08/2003
7861 7	Hutchison 3G UK Ltd	071-075 and 077-079	26/08/2003
7861 8	Hutchison 3G UK Ltd	071-075 and 077-079	26/08/2003
7861 9	Hutchison 3G UK Ltd	071-075 and 077-079	26/08/2003
7862 0	Hutchison 3G UK Ltd	071-075 and 077-079	14/06/2004
7862 1	Hutchison 3G UK Ltd	071-075 and 077-079	14/06/2004
7862 2	Hutchison 3G UK Ltd	071-075 and 077-079	14/06/2004
7862 3	Hutchison 3G UK Ltd	071-075 and 077-079	14/06/2004
7862 4	Hutchison 3G UK Ltd	071-075 and 077-079	14/06/2004
7862 5	Hutchison 3G UK Ltd	071-075 and 077-079	14/06/2004
7862 6	Hutchison 3G UK Ltd	071-075 and 077-079	14/06/2004
7862 7	Hutchison 3G UK Ltd	071-075 and 077-079	14/06/2004
7862 8	Hutchison 3G UK Ltd	071-075 and 077-079	14/06/2004
7862 9	Hutchison 3G UK Ltd	071-075 and 077-079	14/06/2004
7863 0	Hutchison 3G UK Ltd	071-075 and 077-079	24/04/2003
7863 1	Hutchison 3G UK Ltd	071-075 and 077-079	24/04/2003
7863 2	Hutchison 3G UK Ltd	071-075 and 077-079	24/04/2003
7863 3	Hutchison 3G UK Ltd	071-075 and 077-079	24/04/2003
7863 4	Hutchison 3G UK Ltd	071-075 and 077-079	24/04/2003
7863 5	Hutchison 3G UK Ltd	071-075 and 077-079	24/04/2003
7863 6	Hutchison 3G UK Ltd	071-075 and 077-079	24/04/2003
7863 7	Hutchison 3G UK Ltd	071-075 and 077-079	24/04/2003
7863 8	Hutchison 3G UK Ltd	071-075 and 077-079	24/04/2003
7863 9	Hutchison 3G UK Ltd	071-075 and 077-079	24/04/2003
7864 0	Telefonica UK Limited	071-075 and 077-079	31/08/2006
7864 1	Telefonica UK Limited	071-075 and 077-079	31/08/2006
7864 2	Telefonica UK Limited	071-075 and 077-079	31/08/2006
7864 3	Telefonica UK Limited	071-075 and 077-079	31/08/2006
7864 5	Telefonica UK Limited	071-075 and 077-079	31/08/2006
7864 6	Telefonica UK Limited	071-075 and 077-079	31/08/2006
7864 7	Telefonica UK Limited	071-075 and 077-079	31/08/2006
7864 8	Telefonica UK Limited	071-075 and 077-079	31/08/2006
7864 9	Telefonica UK Limited	071-075 and 077-079	31/08/2006
7865 0	Hutchison 3G UK Ltd	071-075 and 077-079	14/06/2004
7865 1	Hutchison 3G UK Ltd	071-075 and 077-079	14/06/2004
7865 2	Hutchison 3G UK Ltd	071-075 and 077-079	14/06/2004
7865 3	Hutchison 3G UK Ltd	071-075 and 077-079	14/06/2004
7865 4	Hutchison 3G UK Ltd	071-075 and 077-079	14/06/2004
7865 5	Hutchison 3G UK Ltd	071-075 and 077-079	14/06/2004
7865 6	Hutchison 3G UK Ltd	071-075 and 077-079	14/06/2004
7865 7	Hutchison 3G UK Ltd	071-075 and 077-079	14/06/2004
7865 8	Hutchison 3G UK Ltd	071-075 and 077-079	14/06/2004
7865 9	Hutchison 3G UK Ltd	071-075 and 077-079	14/06/2004
7866 0	EE Limited (Orange)	071-075 and 077-079	23/02/2000
7866 1	EE Limited (Orange)	071-075 and 077-079	23/02/2000

Number Block	CP Name	Number Block Type	Allocation Date
7866 2	EE Limited (Orange)	071-075 and 077-079	23/02/2000
7866 3	EE Limited (Orange)	071-075 and 077-079	23/02/2000
7866 4	EE Limited (Orange)	071-075 and 077-079	23/02/2000
7866 5	EE Limited (Orange)	071-075 and 077-079	23/02/2000
7866 6	EE Limited (Orange)	071-075 and 077-079	23/02/2000
7866 7	EE Limited (Orange)	071-075 and 077-079	23/02/2000
7866 8	EE Limited (Orange)	071-075 and 077-079	23/02/2000
7866 9	EE Limited (Orange)	071-075 and 077-079	23/02/2000
7867 0	Vodafone Limited	071-075 and 077-079	22/03/1999
7867 1	Vodafone Limited	071-075 and 077-079	22/03/1999
7867 2	Vodafone Limited	071-075 and 077-079	22/03/1999
7867 3	Vodafone Limited	071-075 and 077-079	22/03/1999
7867 4	Vodafone Limited	071-075 and 077-079	22/03/1999
7867 5	Vodafone Limited	071-075 and 077-079	22/03/1999
7867 6	Vodafone Limited	071-075 and 077-079	22/03/1999
7867 7	Vodafone Limited	071-075 and 077-079	22/03/1999
7867 8	Vodafone Limited	071-075 and 077-079	22/03/1999
7867 9	Vodafone Limited	071-075 and 077-079	22/03/1999
7868 0	Hutchison 3G UK Ltd	071-075 and 077-079	03/09/2004
7868 1	Hutchison 3G UK Ltd	071-075 and 077-079	03/09/2004
7868 2	Hutchison 3G UK Ltd	071-075 and 077-079	03/09/2004
7868 3	Hutchison 3G UK Ltd	071-075 and 077-079	03/09/2004
7868 4	Hutchison 3G UK Ltd	071-075 and 077-079	03/09/2004
7868 5	Hutchison 3G UK Ltd	071-075 and 077-079	03/09/2004
7868 6	Hutchison 3G UK Ltd	071-075 and 077-079	03/09/2004
7868 7	Hutchison 3G UK Ltd	071-075 and 077-079	03/09/2004
7868 8	Hutchison 3G UK Ltd	071-075 and 077-079	03/09/2004
7868 9	Hutchison 3G UK Ltd	071-075 and 077-079	03/09/2004
7869 0	Hutchison 3G UK Ltd	071-075 and 077-079	15/04/2004
7869 1	Hutchison 3G UK Ltd	071-075 and 077-079	15/04/2004
7869 2	Hutchison 3G UK Ltd	071-075 and 077-079	15/04/2004
7869 3	Hutchison 3G UK Ltd	071-075 and 077-079	15/04/2004
7869 4	Hutchison 3G UK Ltd	071-075 and 077-079	15/04/2004
7869 5	Hutchison 3G UK Ltd	071-075 and 077-079	15/04/2004
7869 6	Hutchison 3G UK Ltd	071-075 and 077-079	15/04/2004
7869 7	Hutchison 3G UK Ltd	071-075 and 077-079	15/04/2004
7869 8	Hutchison 3G UK Ltd	071-075 and 077-079	15/04/2004
7869 9	Hutchison 3G UK Ltd	071-075 and 077-079	15/04/2004
7870 0	EE Limited (Orange)	071-075 and 077-079	23/02/2000
7870 1	EE Limited (Orange)	071-075 and 077-079	23/02/2000
7870 2	EE Limited (Orange)	071-075 and 077-079	23/02/2000
7870 3	EE Limited (Orange)	071-075 and 077-079	23/02/2000
7870 4	EE Limited (Orange)	071-075 and 077-079	23/02/2000
7870 5	EE Limited (Orange)	071-075 and 077-079	23/02/2000
7870 6	EE Limited (Orange)	071-075 and 077-079	23/02/2000
7870 7	EE Limited (Orange)	071-075 and 077-079	23/02/2000
7870 8	EE Limited (Orange)	071-075 and 077-079	23/02/2000
7870 9	EE Limited (Orange)	071-075 and 077-079	23/02/2000
7871 0	Telefonica UK Limited	071-075 and 077-079	28/09/2004

Number Block	CP Name	Number Block Type	Allocation Date
7871 1	Telefonica UK Limited	071-075 and 077-079	28/09/2004
7871 2	Telefonica UK Limited	071-075 and 077-079	28/09/2004
7871 3	Telefonica UK Limited	071-075 and 077-079	28/09/2004
7871 4	Telefonica UK Limited	071-075 and 077-079	28/09/2004
7871 5	Telefonica UK Limited	071-075 and 077-079	28/09/2004
7871 6	Telefonica UK Limited	071-075 and 077-079	28/09/2004
7871 7	Telefonica UK Limited	071-075 and 077-079	28/09/2004
7871 8	Telefonica UK Limited	071-075 and 077-079	28/09/2004
7871 9	Telefonica UK Limited	071-075 and 077-079	28/09/2004
7872 0	Telefonica UK Limited	071-075 and 077-079	31/08/2006
7872 1	Telefonica UK Limited	071-075 and 077-079	31/08/2006
7872 2	WIRELESS LOGIC LIMITED	071-075 and 077-079	12/04/2022
7872 3	Telefonica UK Limited	071-075 and 077-079	31/08/2006
7872 4	Telefonica UK Limited	071-075 and 077-079	31/08/2006
7872 5	Telefonica UK Limited	071-075 and 077-079	31/08/2006
7872 6	Telefonica UK Limited	071-075 and 077-079	31/08/2006
7872 7	Telecom 10 Ltd	071-075 and 077-079	25/11/2009
7872 8	Telefonica UK Limited	071-075 and 077-079	31/08/2006
7872 9	Telefonica UK Limited	071-075 and 077-079	31/08/2006
7873 0	Telesign Mobile Limited	071-075 and 077-079	23/11/2005
7873 1	Telefonica UK Limited	071-075 and 077-079	31/08/2006
7873 2	Telefonica UK Limited	071-075 and 077-079	31/08/2006
7873 3	Telefonica UK Limited	071-075 and 077-079	31/08/2006
7873 4	Telefonica UK Limited	071-075 and 077-079	31/08/2006
7873 5	Telefonica UK Limited	071-075 and 077-079	31/08/2006
7873 6	Telefonica UK Limited	071-075 and 077-079	31/08/2006
7873 7	Telefonica UK Limited	071-075 and 077-079	31/08/2006
7873 8	Telefonica UK Limited	071-075 and 077-079	31/08/2006
7873 9	Telefonica UK Limited	071-075 and 077-079	31/08/2006
7874 0	Telefonica UK Limited	071-075 and 077-079	31/08/2006
7874 1	Telefonica UK Limited	071-075 and 077-079	31/08/2006
7874 2	Telefonica UK Limited	071-075 and 077-079	31/08/2006
7874 3	Telefonica UK Limited	071-075 and 077-079	31/08/2006
7874 4	Citrus Telecommunications Ltd	071-075 and 077-079	09/12/2005
7874 6	Telefonica UK Limited	071-075 and 077-079	31/08/2006
7874 7	Telefonica UK Limited	071-075 and 077-079	31/08/2006
7874 8	Telefonica UK Limited	071-075 and 077-079	31/08/2006
7874 9	Telefonica UK Limited	071-075 and 077-079	31/08/2006
7875 0	EE Limited (Orange)	071-075 and 077-079	23/09/2004
7875 1	EE Limited (Orange)	071-075 and 077-079	23/09/2004
7875 2	EE Limited (Orange)	071-075 and 077-079	23/09/2004
7875 3	EE Limited (Orange)	071-075 and 077-079	23/09/2004
7875 4	EE Limited (Orange)	071-075 and 077-079	23/09/2004
7875 5	EE Limited (Orange)	071-075 and 077-079	23/09/2004
7875 6	EE Limited (Orange)	071-075 and 077-079	23/09/2004
7875 7	EE Limited (Orange)	071-075 and 077-079	23/09/2004
7875 8	EE Limited (Orange)	071-075 and 077-079	23/09/2004
7875 9	EE Limited (Orange)	071-075 and 077-079	23/09/2004
7876 0	Vodafone Limited	071-075 and 077-079	29/09/2000

Number Block	CP Name	Number Block Type	Allocation Date
7876 1	Vodafone Limited	071-075 and 077-079	29/09/2000
7876 2	Vodafone Limited	071-075 and 077-079	29/09/2000
7876 3	Vodafone Limited	071-075 and 077-079	29/09/2000
7876 4	Vodafone Limited	071-075 and 077-079	29/09/2000
7876 5	Vodafone Limited	071-075 and 077-079	29/09/2000
7876 6	Vodafone Limited	071-075 and 077-079	29/09/2000
7876 7	Vodafone Limited	071-075 and 077-079	29/09/2000
7876 8	Vodafone Limited	071-075 and 077-079	29/09/2000
7876 9	Vodafone Limited	071-075 and 077-079	29/09/2000
7877 0	Hutchison 3G UK Ltd	071-075 and 077-079	05/04/2005
7877 1	Hutchison 3G UK Ltd	071-075 and 077-079	05/04/2005
7877 2	Hutchison 3G UK Ltd	071-075 and 077-079	05/04/2005
7877 3	Hutchison 3G UK Ltd	071-075 and 077-079	05/04/2005
7877 4	Hutchison 3G UK Ltd	071-075 and 077-079	05/04/2005
7877 5	Hutchison 3G UK Ltd	071-075 and 077-079	05/04/2005
7877 6	Hutchison 3G UK Ltd	071-075 and 077-079	05/04/2005
7877 7	Hutchison 3G UK Ltd	071-075 and 077-079	05/04/2005
7877 8	Hutchison 3G UK Ltd	071-075 and 077-079	05/04/2005
7877 9	Hutchison 3G UK Ltd	071-075 and 077-079	05/04/2005
7878 0	Hutchison 3G UK Ltd	071-075 and 077-079	05/04/2005
7878 1	Hutchison 3G UK Ltd	071-075 and 077-079	05/04/2005
7878 2	Hutchison 3G UK Ltd	071-075 and 077-079	05/04/2005
7878 3	Hutchison 3G UK Ltd	071-075 and 077-079	05/04/2005
7878 4	Hutchison 3G UK Ltd	071-075 and 077-079	05/04/2005
7878 5	Hutchison 3G UK Ltd	071-075 and 077-079	05/04/2005
7878 6	Hutchison 3G UK Ltd	071-075 and 077-079	05/04/2005
7878 7	Hutchison 3G UK Ltd	071-075 and 077-079	05/04/2005
7878 8	Hutchison 3G UK Ltd	071-075 and 077-079	05/04/2005
7878 9	Hutchison 3G UK Ltd	071-075 and 077-079	05/04/2005
7879 0	Vodafone Limited	071-075 and 077-079	30/06/1999
7879 1	Vodafone Limited	071-075 and 077-079	30/06/1999
7879 2	Vodafone Limited	071-075 and 077-079	30/06/1999
7879 3	Vodafone Limited	071-075 and 077-079	30/06/1999
7879 4	Vodafone Limited	071-075 and 077-079	30/06/1999
7879 5	Vodafone Limited	071-075 and 077-079	30/06/1999
7879 6	Vodafone Limited	071-075 and 077-079	30/06/1999
7879 7	Vodafone Limited	071-075 and 077-079	30/06/1999
7879 8	Vodafone Limited	071-075 and 077-079	30/06/1999
7879 9	Vodafone Limited	071-075 and 077-079	30/06/1999
7880 0	Vodafone Limited	071-075 and 077-079	15/01/1999
7880 1	Vodafone Limited	071-075 and 077-079	15/01/1999
7880 2	Vodafone Limited	071-075 and 077-079	15/01/1999
7880 3	Vodafone Limited	071-075 and 077-079	15/01/1999
7880 4	Vodafone Limited	071-075 and 077-079	15/01/1999
7880 5	Vodafone Limited	071-075 and 077-079	15/01/1999
7880 6	Vodafone Limited	071-075 and 077-079	15/01/1999
7880 7	Vodafone Limited	071-075 and 077-079	15/01/1999
7880 8	Vodafone Limited	071-075 and 077-079	15/01/1999
7880 9	Vodafone Limited	071-075 and 077-079	15/01/1999

Number Block	CP Name	Number Block Type	Allocation Date
7881 0	Vodafone Limited	071-075 and 077-079	22/03/1999
7881 1	Vodafone Limited	071-075 and 077-079	22/03/1999
7881 2	Vodafone Limited	071-075 and 077-079	22/03/1999
7881 3	Vodafone Limited	071-075 and 077-079	22/03/1999
7881 4	Vodafone Limited	071-075 and 077-079	22/03/1999
7881 5	Vodafone Limited	071-075 and 077-079	22/03/1999
7881 6	Vodafone Limited	071-075 and 077-079	22/03/1999
7881 7	Vodafone Limited	071-075 and 077-079	22/03/1999
7881 8	Vodafone Limited	071-075 and 077-079	22/03/1999
7881 9	Vodafone Limited	071-075 and 077-079	22/03/1999
7882 0	Hutchison 3G UK Ltd	071-075 and 077-079	05/04/2005
7882 1	Hutchison 3G UK Ltd	071-075 and 077-079	05/04/2005
7882 2	Hutchison 3G UK Ltd	071-075 and 077-079	05/04/2005
7882 3	Hutchison 3G UK Ltd	071-075 and 077-079	05/04/2005
7882 4	Hutchison 3G UK Ltd	071-075 and 077-079	05/04/2005
7882 5	Hutchison 3G UK Ltd	071-075 and 077-079	05/04/2005
7882 6	Hutchison 3G UK Ltd	071-075 and 077-079	05/04/2005
7882 7	Hutchison 3G UK Ltd	071-075 and 077-079	05/04/2005
7882 8	Hutchison 3G UK Ltd	071-075 and 077-079	05/04/2005
7882 9	Hutchison 3G UK Ltd	071-075 and 077-079	05/04/2005
7883 0	Hutchison 3G UK Ltd	071-075 and 077-079	03/09/2004
7883 1	Hutchison 3G UK Ltd	071-075 and 077-079	03/09/2004
7883 2	Hutchison 3G UK Ltd	071-075 and 077-079	03/09/2004
7883 3	Hutchison 3G UK Ltd	071-075 and 077-079	03/09/2004
7883 4	Hutchison 3G UK Ltd	071-075 and 077-079	03/09/2004
7883 5	Hutchison 3G UK Ltd	071-075 and 077-079	03/09/2004
7883 6	Hutchison 3G UK Ltd	071-075 and 077-079	03/09/2004
7883 7	Hutchison 3G UK Ltd	071-075 and 077-079	03/09/2004
7883 8	Hutchison 3G UK Ltd	071-075 and 077-079	03/09/2004
7883 9	Hutchison 3G UK Ltd	071-075 and 077-079	03/09/2004
7884 0	Vodafone Limited	071-075 and 077-079	18/01/2000
7884 1	Vodafone Limited	071-075 and 077-079	18/01/2000
7884 2	Vodafone Limited	071-075 and 077-079	18/01/2000
7884 3	Vodafone Limited	071-075 and 077-079	18/01/2000
7884 4	Vodafone Limited	071-075 and 077-079	18/01/2000
7884 5	Vodafone Limited	071-075 and 077-079	18/01/2000
7884 6	Vodafone Limited	071-075 and 077-079	18/01/2000
7884 7	Vodafone Limited	071-075 and 077-079	18/01/2000
7884 8	Vodafone Limited	071-075 and 077-079	18/01/2000
7884 9	Vodafone Limited	071-075 and 077-079	18/01/2000
7885 0	Telefonica UK Limited	071-075 and 077-079	15/12/1997
7885 1	Telefonica UK Limited	071-075 and 077-079	15/12/1997
7885 2	Telefonica UK Limited	071-075 and 077-079	15/12/1997
7885 3	Telefonica UK Limited	071-075 and 077-079	15/12/1997
7885 4	Telefonica UK Limited	071-075 and 077-079	15/12/1997
7885 5	Telefonica UK Limited	071-075 and 077-079	15/12/1997
7885 6	Telefonica UK Limited	071-075 and 077-079	15/12/1997
7885 7	Telefonica UK Limited	071-075 and 077-079	15/12/1997
7885 8	Telefonica UK Limited	071-075 and 077-079	15/12/1997

Number Block	CP Name	Number Block Type	Allocation Date
7885 9	Telefonica UK Limited	071-075 and 077-079	15/12/1997
7886 0	Hutchison 3G UK Ltd	071-075 and 077-079	23/11/2004
7886 1	Hutchison 3G UK Ltd	071-075 and 077-079	23/11/2004
7886 2	Hutchison 3G UK Ltd	071-075 and 077-079	23/11/2004
7886 3	Hutchison 3G UK Ltd	071-075 and 077-079	23/11/2004
7886 4	Hutchison 3G UK Ltd	071-075 and 077-079	23/11/2004
7886 5	Hutchison 3G UK Ltd	071-075 and 077-079	23/11/2004
7886 6	Hutchison 3G UK Ltd	071-075 and 077-079	23/11/2004
7886 7	Hutchison 3G UK Ltd	071-075 and 077-079	23/11/2004
7886 8	Hutchison 3G UK Ltd	071-075 and 077-079	23/11/2004
7886 9	Hutchison 3G UK Ltd	071-075 and 077-079	23/11/2004
7887 0	Vodafone Limited	071-075 and 077-079	01/06/1998
7887 1	Vodafone Limited	071-075 and 077-079	01/06/1998
7887 2	Vodafone Limited	071-075 and 077-079	01/06/1998
7887 3	Vodafone Limited	071-075 and 077-079	01/06/1998
7887 4	Vodafone Limited	071-075 and 077-079	01/06/1998
7887 5	Vodafone Limited	071-075 and 077-079	01/06/1998
7887 6	Vodafone Limited	071-075 and 077-079	01/06/1998
7887 7	Vodafone Limited	071-075 and 077-079	01/06/1998
7887 8	Vodafone Limited	071-075 and 077-079	01/06/1998
7887 9	Vodafone Limited	071-075 and 077-079	01/06/1998
7888 0	Hutchison 3G UK Ltd	071-075 and 077-079	03/09/2004
7888 1	Hutchison 3G UK Ltd	071-075 and 077-079	03/09/2004
7888 2	Hutchison 3G UK Ltd	071-075 and 077-079	03/09/2004
7888 3	Hutchison 3G UK Ltd	071-075 and 077-079	03/09/2004
7888 4	Hutchison 3G UK Ltd	071-075 and 077-079	03/09/2004
7888 5	Hutchison 3G UK Ltd	071-075 and 077-079	03/09/2004
7888 6	Hutchison 3G UK Ltd	071-075 and 077-079	03/09/2004
7888 7	Hutchison 3G UK Ltd	071-075 and 077-079	03/09/2004
7888 8	Hutchison 3G UK Ltd	071-075 and 077-079	03/09/2004
7888 9	Hutchison 3G UK Ltd	071-075 and 077-079	03/09/2004
7889 0	Telefonica UK Limited	071-075 and 077-079	15/12/1997
7889 1	Telefonica UK Limited	071-075 and 077-079	15/12/1997
7889 2	Telefonica UK Limited	071-075 and 077-079	15/12/1997
7889 3	Telefonica UK Limited	071-075 and 077-079	15/12/1997
7889 4	Telefonica UK Limited	071-075 and 077-079	15/12/1997
7889 5	Telefonica UK Limited	071-075 and 077-079	15/12/1997
7889 6	Telefonica UK Limited	071-075 and 077-079	15/12/1997
7889 7	Telefonica UK Limited	071-075 and 077-079	15/12/1997
7889 8	Telefonica UK Limited	071-075 and 077-079	15/12/1997
7889 9	Telefonica UK Limited	071-075 and 077-079	15/12/1997
7890 0	EE Limited (Orange)	071-075 and 077-079	23/02/2000
7890 1	EE Limited (Orange)	071-075 and 077-079	23/02/2000
7890 2	EE Limited (Orange)	071-075 and 077-079	23/02/2000
7890 3	EE Limited (Orange)	071-075 and 077-079	23/02/2000
7890 4	EE Limited (Orange)	071-075 and 077-079	23/02/2000
7890 5	EE Limited (Orange)	071-075 and 077-079	23/02/2000
7890 6	EE Limited (Orange)	071-075 and 077-079	23/02/2000
7890 7	EE Limited (Orange)	071-075 and 077-079	23/02/2000

Number Block	CP Name	Number Block Type	Allocation Date
7890 8	EE Limited (Orange)	071-075 and 077-079	23/02/2000
7890 9	EE Limited (Orange)	071-075 and 077-079	23/02/2000
7891 0	EE Limited (Orange)	071-075 and 077-079	13/03/2004
7891 1	EE Limited (Orange)	071-075 and 077-079	13/03/2004
7891 2	EE Limited (Orange)	071-075 and 077-079	13/03/2004
7891 3	EE Limited (Orange)	071-075 and 077-079	13/03/2004
7891 4	EE Limited (Orange)	071-075 and 077-079	13/03/2004
7891 5	EE Limited (Orange)	071-075 and 077-079	13/03/2004
7891 6	EE Limited (Orange)	071-075 and 077-079	13/03/2004
7891 7	EE Limited (Orange)	071-075 and 077-079	13/03/2004
7891 8	EE Limited (Orange)	071-075 and 077-079	13/03/2004
7891 9	EE Limited (Orange)	071-075 and 077-079	13/03/2004
7892 0	LINK MOBILITY UK LTD	071-075 and 077-079	05/05/2006
7892 1	Vectone Mobile Limited	071-075 and 077-079	08/06/2006
7892 3	Telefonica UK Limited	071-075 and 077-079	31/08/2006
7892 4	Telefonica UK Limited	071-075 and 077-079	31/08/2006
7892 5	FlexTel Limited	071-075 and 077-079	31/01/2006
7892 6	Telefonica UK Limited	071-075 and 077-079	31/08/2006
7892 7	Telefonica UK Limited	071-075 and 077-079	31/08/2006
7892 8	Telefonica UK Limited	071-075 and 077-079	31/08/2006
7892 9	Telefonica UK Limited	071-075 and 077-079	31/08/2006
7893 0	Magrathea Telecommunications Limited	071-075 and 077-079	04/01/2006
7893 1	24 Seven Communications Ltd	071-075 and 077-079	17/03/2008
7893 2	Telefonica UK Limited	071-075 and 077-079	25/10/2006
7893 4	Telefonica UK Limited	071-075 and 077-079	27/09/2006
7893 5	Telefonica UK Limited	071-075 and 077-079	19/10/2006
7893 6	Telefonica UK Limited	071-075 and 077-079	19/10/2006
7893 7	Telefonica UK Limited	071-075 and 077-079	19/10/2006
7893 8	AQL Wholesale Ltd	071-075 and 077-079	14/07/2006
7893 9	Citrus Telecommunications Ltd	071-075 and 077-079	05/12/2006
7894 0	Telefonica UK Limited	071-075 and 077-079	16/02/2006
7894 1	Telefonica UK Limited	071-075 and 077-079	16/02/2006
7894 2	Telefonica UK Limited	071-075 and 077-079	16/02/2006
7894 3	Telefonica UK Limited	071-075 and 077-079	16/02/2006
7894 4	Telefonica UK Limited	071-075 and 077-079	16/02/2006
7894 5	Telefonica UK Limited	071-075 and 077-079	16/02/2006
7894 6	Telefonica UK Limited	071-075 and 077-079	16/02/2006
7894 7	Telefonica UK Limited	071-075 and 077-079	16/02/2006
7894 8	Telefonica UK Limited	071-075 and 077-079	16/02/2006
7894 9	Telefonica UK Limited	071-075 and 077-079	16/02/2006
7895 0	Telefonica UK Limited	071-075 and 077-079	16/02/2006
7895 1	Telefonica UK Limited	071-075 and 077-079	16/02/2006
7895 2	Telefonica UK Limited	071-075 and 077-079	16/02/2006
7895 3	Telefonica UK Limited	071-075 and 077-079	16/02/2006
7895 4	Telefonica UK Limited	071-075 and 077-079	16/02/2006
7895 5	Telefonica UK Limited	071-075 and 077-079	16/02/2006
7895 6	Telefonica UK Limited	071-075 and 077-079	16/02/2006
7895 7	Telefonica UK Limited	071-075 and 077-079	16/02/2006

Number Block	CP Name	Number Block Type	Allocation Date
7895 8	Telefonica UK Limited	071-075 and 077-079	16/02/2006
7895 9	Telefonica UK Limited	071-075 and 077-079	16/02/2006
7896 0	EE Limited (Orange)	071-075 and 077-079	23/09/2004
7896 1	EE Limited (Orange)	071-075 and 077-079	23/09/2004
7896 2	EE Limited (Orange)	071-075 and 077-079	23/09/2004
7896 3	EE Limited (Orange)	071-075 and 077-079	23/09/2004
7896 4	EE Limited (Orange)	071-075 and 077-079	23/09/2004
7896 5	EE Limited (Orange)	071-075 and 077-079	23/09/2004
7896 6	EE Limited (Orange)	071-075 and 077-079	23/09/2004
7896 7	EE Limited (Orange)	071-075 and 077-079	23/09/2004
7896 8	EE Limited (Orange)	071-075 and 077-079	23/09/2004
7896 9	EE Limited (Orange)	071-075 and 077-079	23/09/2004
7897 0	Hutchison 3G UK Ltd	071-075 and 077-079	23/11/2004
7897 1	Hutchison 3G UK Ltd	071-075 and 077-079	23/11/2004
7897 2	Hutchison 3G UK Ltd	071-075 and 077-079	23/11/2004
7897 3	Hutchison 3G UK Ltd	071-075 and 077-079	23/11/2004
7897 4	Hutchison 3G UK Ltd	071-075 and 077-079	23/11/2004
7897 5	Hutchison 3G UK Ltd	071-075 and 077-079	23/11/2004
7897 6	Hutchison 3G UK Ltd	071-075 and 077-079	23/11/2004
7897 7	Hutchison 3G UK Ltd	071-075 and 077-079	23/11/2004
7897 8	Hutchison 3G UK Ltd	071-075 and 077-079	23/11/2004
7897 9	Hutchison 3G UK Ltd	071-075 and 077-079	23/11/2004
7898 0	Hutchison 3G UK Ltd	071-075 and 077-079	23/11/2004
7898 1	Hutchison 3G UK Ltd	071-075 and 077-079	23/11/2004
7898 2	Hutchison 3G UK Ltd	071-075 and 077-079	23/11/2004
7898 3	Hutchison 3G UK Ltd	071-075 and 077-079	23/11/2004
7898 4	Hutchison 3G UK Ltd	071-075 and 077-079	23/11/2004
7898 5	Hutchison 3G UK Ltd	071-075 and 077-079	23/11/2004
7898 6	Hutchison 3G UK Ltd	071-075 and 077-079	23/11/2004
7898 7	Hutchison 3G UK Ltd	071-075 and 077-079	23/11/2004
7898 8	Hutchison 3G UK Ltd	071-075 and 077-079	23/11/2004
7898 9	Hutchison 3G UK Ltd	071-075 and 077-079	23/11/2004
7899 0	Vodafone Limited	071-075 and 077-079	27/08/1998
7899 1	Vodafone Limited	071-075 and 077-079	27/08/1998
7899 2	Vodafone Limited	071-075 and 077-079	27/08/1998
7899 3	Vodafone Limited	071-075 and 077-079	27/08/1998
7899 4	Vodafone Limited	071-075 and 077-079	27/08/1998
7899 5	Vodafone Limited	071-075 and 077-079	27/08/1998
7899 6	Vodafone Limited	071-075 and 077-079	27/08/1998
7899 7	Vodafone Limited	071-075 and 077-079	27/08/1998
7899 8	Vodafone Limited	071-075 and 077-079	27/08/1998
7899 9	Vodafone Limited	071-075 and 077-079	27/08/1998
7900 0	Vodafone Limited	071-075 and 077-079	29/09/2000
7900 1	Vodafone Limited	071-075 and 077-079	29/09/2000
7900 2	Vodafone Limited	071-075 and 077-079	29/09/2000
7900 3	Vodafone Limited	071-075 and 077-079	29/09/2000
7900 4	Vodafone Limited	071-075 and 077-079	29/09/2000
7900 5	Vodafone Limited	071-075 and 077-079	29/09/2000
7900 6	Vodafone Limited	071-075 and 077-079	29/09/2000

Number Block	CP Name	Number Block Type	Allocation Date
7900 7	Vodafone Limited	071-075 and 077-079	29/09/2000
7900 8	Vodafone Limited	071-075 and 077-079	29/09/2000
7900 9	Vodafone Limited	071-075 and 077-079	29/09/2000
7901 0	Vodafone Limited	071-075 and 077-079	08/12/1998
7901 1	Vodafone Limited	071-075 and 077-079	08/12/1998
7901 2	Vodafone Limited	071-075 and 077-079	08/12/1998
7901 3	Vodafone Limited	071-075 and 077-079	08/12/1998
7901 4	Vodafone Limited	071-075 and 077-079	08/12/1998
7901 5	Vodafone Limited	071-075 and 077-079	08/12/1998
7901 6	Vodafone Limited	071-075 and 077-079	08/12/1998
7901 7	Vodafone Limited	071-075 and 077-079	08/12/1998
7901 8	Vodafone Limited	071-075 and 077-079	08/12/1998
7901 9	Vodafone Limited	071-075 and 077-079	08/12/1998
7902 0	Telefonica UK Limited	071-075 and 077-079	16/02/2006
7902 1	Telefonica UK Limited	071-075 and 077-079	16/02/2006
7902 2	Telefonica UK Limited	071-075 and 077-079	16/02/2006
7902 3	Telefonica UK Limited	071-075 and 077-079	16/02/2006
7902 4	Telefonica UK Limited	071-075 and 077-079	16/02/2006
7902 5	Telefonica UK Limited	071-075 and 077-079	16/02/2006
7902 6	Telefonica UK Limited	071-075 and 077-079	16/02/2006
7902 7	Telefonica UK Limited	071-075 and 077-079	16/02/2006
7902 8	Telefonica UK Limited	071-075 and 077-079	16/02/2006
7902 9	Telefonica UK Limited	071-075 and 077-079	16/02/2006
7903 0	EE Limited (TM)	071-075 and 077-079	15/06/2000
7903 1	EE Limited (TM)	071-075 and 077-079	15/06/2000
7903 2	EE Limited (TM)	071-075 and 077-079	15/06/2000
7903 3	EE Limited (TM)	071-075 and 077-079	15/06/2000
7903 4	EE Limited (TM)	071-075 and 077-079	15/06/2000
7903 5	EE Limited (TM)	071-075 and 077-079	15/06/2000
7903 6	EE Limited (TM)	071-075 and 077-079	15/06/2000
7903 7	EE Limited (TM)	071-075 and 077-079	15/06/2000
7903 8	EE Limited (TM)	071-075 and 077-079	15/06/2000
7903 9	EE Limited (TM)	071-075 and 077-079	15/06/2000
7904 0	EE Limited (TM)	071-075 and 077-079	15/06/2000
7904 1	EE Limited (TM)	071-075 and 077-079	15/06/2000
7904 2	EE Limited (TM)	071-075 and 077-079	15/06/2000
7904 3	EE Limited (TM)	071-075 and 077-079	15/06/2000
7904 4	EE Limited (TM)	071-075 and 077-079	15/06/2000
7904 5	EE Limited (TM)	071-075 and 077-079	15/06/2000
7904 6	EE Limited (TM)	071-075 and 077-079	15/06/2000
7904 7	EE Limited (TM)	071-075 and 077-079	15/06/2000
7904 8	EE Limited (TM)	071-075 and 077-079	15/06/2000
7904 9	EE Limited (TM)	071-075 and 077-079	15/06/2000
7905 0	EE Limited (TM)	071-075 and 077-079	15/06/2000
7905 1	EE Limited (TM)	071-075 and 077-079	15/06/2000
7905 2	EE Limited (TM)	071-075 and 077-079	15/06/2000
7905 3	EE Limited (TM)	071-075 and 077-079	15/06/2000
7905 4	EE Limited (TM)	071-075 and 077-079	15/06/2000
7905 5	EE Limited (TM)	071-075 and 077-079	15/06/2000

Number Block	CP Name	Number Block Type	Allocation Date
7905 6	EE Limited (TM)	071-075 and 077-079	15/06/2000
7905 7	EE Limited (TM)	071-075 and 077-079	15/06/2000
7905 8	EE Limited (TM)	071-075 and 077-079	15/06/2000
7905 9	EE Limited (TM)	071-075 and 077-079	15/06/2000
7906 0	EE Limited (TM)	071-075 and 077-079	16/01/2003
7906 1	EE Limited (TM)	071-075 and 077-079	16/01/2003
7906 2	EE Limited (TM)	071-075 and 077-079	16/01/2003
7906 3	EE Limited (TM)	071-075 and 077-079	16/01/2003
7906 4	EE Limited (TM)	071-075 and 077-079	16/01/2003
7906 5	EE Limited (TM)	071-075 and 077-079	16/01/2003
7906 6	EE Limited (TM)	071-075 and 077-079	16/01/2003
7906 7	EE Limited (TM)	071-075 and 077-079	16/01/2003
7906 8	EE Limited (TM)	071-075 and 077-079	16/01/2003
7906 9	EE Limited (TM)	071-075 and 077-079	16/01/2003
7907 0	Telefonica UK Limited	071-075 and 077-079	16/02/2006
7907 1	Telefonica UK Limited	071-075 and 077-079	16/02/2006
7907 2	Telefonica UK Limited	071-075 and 077-079	16/02/2006
7907 3	Telefonica UK Limited	071-075 and 077-079	16/02/2006
7907 4	Telefonica UK Limited	071-075 and 077-079	16/02/2006
7907 5	Telefonica UK Limited	071-075 and 077-079	16/02/2006
7907 6	Telefonica UK Limited	071-075 and 077-079	16/02/2006
7907 7	Telefonica UK Limited	071-075 and 077-079	16/02/2006
7907 8	Telefonica UK Limited	071-075 and 077-079	16/02/2006
7907 9	Telefonica UK Limited	071-075 and 077-079	16/02/2006
7908 0	EE Limited (TM)	071-075 and 077-079	05/03/2003
7908 1	EE Limited (TM)	071-075 and 077-079	05/03/2003
7908 2	EE Limited (TM)	071-075 and 077-079	05/03/2003
7908 3	EE Limited (TM)	071-075 and 077-079	05/03/2003
7908 4	EE Limited (TM)	071-075 and 077-079	05/03/2003
7908 5	EE Limited (TM)	071-075 and 077-079	05/03/2003
7908 6	EE Limited (TM)	071-075 and 077-079	05/03/2003
7908 7	EE Limited (TM)	071-075 and 077-079	05/03/2003
7908 8	EE Limited (TM)	071-075 and 077-079	05/03/2003
7908 9	EE Limited (TM)	071-075 and 077-079	05/03/2003
7909 0	Vodafone Limited	071-075 and 077-079	22/03/1999
7909 1	Vodafone Limited	071-075 and 077-079	22/03/1999
7909 2	Vodafone Limited	071-075 and 077-079	22/03/1999
7909 3	Vodafone Limited	071-075 and 077-079	22/03/1999
7909 4	Vodafone Limited	071-075 and 077-079	22/03/1999
7909 5	Vodafone Limited	071-075 and 077-079	22/03/1999
7909 6	Vodafone Limited	071-075 and 077-079	22/03/1999
7909 7	Vodafone Limited	071-075 and 077-079	22/03/1999
7909 8	Vodafone Limited	071-075 and 077-079	22/03/1999
7909 9	Vodafone Limited	071-075 and 077-079	22/03/1999
7910 0	EE Limited (TM)	071-075 and 077-079	03/02/2004
7910 1	EE Limited (TM)	071-075 and 077-079	03/02/2004
7910 2	EE Limited (TM)	071-075 and 077-079	03/02/2004
7910 3	EE Limited (TM)	071-075 and 077-079	03/02/2004
7910 4	EE Limited (TM)	071-075 and 077-079	03/02/2004

Number Block	CP Name	Number Block Type	Allocation Date
7910 5	EE Limited (TM)	071-075 and 077-079	03/02/2004
7910 6	EE Limited (TM)	071-075 and 077-079	03/02/2004
7910 7	EE Limited (TM)	071-075 and 077-079	03/02/2004
7910 8	EE Limited (TM)	071-075 and 077-079	03/02/2004
7910 9	EE Limited (TM)	071-075 and 077-079	03/02/2004
7911 0	Marathon Telecom Limited	071-075 and 077-079	16/11/2010
7911 1	JT (Guernsey) Limited	071-075 and 077-079	12/05/2006
7911 2	24 Seven Communications Ltd	071-075 and 077-079	17/03/2008
7911 7	JT (Guernsey) Limited	071-075 and 077-079	13/10/2003
7911 8	24 Seven Communications Ltd	071-075 and 077-079	17/03/2008
7912 0	Telefonica UK Limited	071-075 and 077-079	24/05/2006
7912 1	Telefonica UK Limited	071-075 and 077-079	24/05/2006
7912 2	Telefonica UK Limited	071-075 and 077-079	24/05/2006
7912 3	Telefonica UK Limited	071-075 and 077-079	24/05/2006
7912 4	Telefonica UK Limited	071-075 and 077-079	24/05/2006
7912 5	Telefonica UK Limited	071-075 and 077-079	24/05/2006
7912 6	Telefonica UK Limited	071-075 and 077-079	24/05/2006
7912 7	Telefonica UK Limited	071-075 and 077-079	24/05/2006
7912 8	Telefonica UK Limited	071-075 and 077-079	24/05/2006
7912 9	Telefonica UK Limited	071-075 and 077-079	24/05/2006
7913 0	EE Limited (TM)	071-075 and 077-079	26/03/2004
7913 1	EE Limited (TM)	071-075 and 077-079	26/03/2004
7913 2	EE Limited (TM)	071-075 and 077-079	26/03/2004
7913 3	EE Limited (TM)	071-075 and 077-079	26/03/2004
7913 4	EE Limited (TM)	071-075 and 077-079	26/03/2004
7913 5	EE Limited (TM)	071-075 and 077-079	26/03/2004
7913 6	EE Limited (TM)	071-075 and 077-079	26/03/2004
7913 7	EE Limited (TM)	071-075 and 077-079	26/03/2004
7913 8	EE Limited (TM)	071-075 and 077-079	26/03/2004
7913 9	EE Limited (TM)	071-075 and 077-079	26/03/2004
7914 0	EE Limited (TM)	071-075 and 077-079	26/03/2004
7914 1	EE Limited (TM)	071-075 and 077-079	26/03/2004
7914 2	EE Limited (TM)	071-075 and 077-079	26/03/2004
7914 3	EE Limited (TM)	071-075 and 077-079	26/03/2004
7914 4	EE Limited (TM)	071-075 and 077-079	26/03/2004
7914 5	EE Limited (TM)	071-075 and 077-079	26/03/2004
7914 6	EE Limited (TM)	071-075 and 077-079	26/03/2004
7914 7	EE Limited (TM)	071-075 and 077-079	26/03/2004
7914 8	EE Limited (TM)	071-075 and 077-079	26/03/2004
7914 9	EE Limited (TM)	071-075 and 077-079	26/03/2004
7915 0	Hutchison 3G UK Ltd	071-075 and 077-079	14/06/2004
7915 1	Hutchison 3G UK Ltd	071-075 and 077-079	14/06/2004
7915 2	Hutchison 3G UK Ltd	071-075 and 077-079	14/06/2004
7915 3	Hutchison 3G UK Ltd	071-075 and 077-079	14/06/2004
7915 4	Hutchison 3G UK Ltd	071-075 and 077-079	14/06/2004
7915 5	Hutchison 3G UK Ltd	071-075 and 077-079	14/06/2004
7915 6	Hutchison 3G UK Ltd	071-075 and 077-079	14/06/2004
7915 7	Hutchison 3G UK Ltd	071-075 and 077-079	14/06/2004
7915 8	Hutchison 3G UK Ltd	071-075 and 077-079	14/06/2004

Number Block	CP Name	Number Block Type	Allocation Date
7915 9	Hutchison 3G UK Ltd	071-075 and 077-079	14/06/2004
7916 0	Hutchison 3G UK Ltd	071-075 and 077-079	15/04/2004
7916 1	Hutchison 3G UK Ltd	071-075 and 077-079	15/04/2004
7916 2	Hutchison 3G UK Ltd	071-075 and 077-079	15/04/2004
7916 3	Hutchison 3G UK Ltd	071-075 and 077-079	15/04/2004
7916 4	Hutchison 3G UK Ltd	071-075 and 077-079	15/04/2004
7916 5	Hutchison 3G UK Ltd	071-075 and 077-079	15/04/2004
7916 6	Hutchison 3G UK Ltd	071-075 and 077-079	15/04/2004
7916 7	Hutchison 3G UK Ltd	071-075 and 077-079	15/04/2004
7916 8	Hutchison 3G UK Ltd	071-075 and 077-079	15/04/2004
7916 9	Hutchison 3G UK Ltd	071-075 and 077-079	15/04/2004
7917 0	Vodafone Limited	071-075 and 077-079	31/03/2004
7917 1	Vodafone Limited	071-075 and 077-079	31/03/2004
7917 2	Vodafone Limited	071-075 and 077-079	31/03/2004
7917 3	Vodafone Limited	071-075 and 077-079	31/03/2004
7917 4	Vodafone Limited	071-075 and 077-079	31/03/2004
7917 5	Vodafone Limited	071-075 and 077-079	31/03/2004
7917 6	Vodafone Limited	071-075 and 077-079	31/03/2004
7917 7	Vodafone Limited	071-075 and 077-079	31/03/2004
7917 8	Vodafone Limited	071-075 and 077-079	31/03/2004
7917 9	Vodafone Limited	071-075 and 077-079	31/03/2004
7918 0	Vodafone Limited	071-075 and 077-079	31/03/2004
7918 1	Vodafone Limited	071-075 and 077-079	31/03/2004
7918 2	Vodafone Limited	071-075 and 077-079	31/03/2004
7918 3	Vodafone Limited	071-075 and 077-079	31/03/2004
7918 4	Vodafone Limited	071-075 and 077-079	31/03/2004
7918 5	Vodafone Limited	071-075 and 077-079	31/03/2004
7918 6	Vodafone Limited	071-075 and 077-079	31/03/2004
7918 7	Vodafone Limited	071-075 and 077-079	31/03/2004
7918 8	Vodafone Limited	071-075 and 077-079	31/03/2004
7918 9	Vodafone Limited	071-075 and 077-079	31/03/2004
7919 0	Vodafone Limited	071-075 and 077-079	03/11/2001
7919 1	Vodafone Limited	071-075 and 077-079	03/11/2001
7919 2	Vodafone Limited	071-075 and 077-079	03/11/2001
7919 3	Vodafone Limited	071-075 and 077-079	03/11/2001
7919 4	Vodafone Limited	071-075 and 077-079	03/11/2001
7919 5	Vodafone Limited	071-075 and 077-079	03/11/2001
7919 6	Vodafone Limited	071-075 and 077-079	03/11/2001
7919 7	Vodafone Limited	071-075 and 077-079	03/11/2001
7919 8	Vodafone Limited	071-075 and 077-079	03/11/2001
7919 9	Vodafone Limited	071-075 and 077-079	03/11/2001
7920 0	Vodafone Limited	071-075 and 077-079	31/03/2004
7920 1	Vodafone Limited	071-075 and 077-079	31/03/2004
7920 2	Vodafone Limited	071-075 and 077-079	31/03/2004
7920 3	Vodafone Limited	071-075 and 077-079	31/03/2004
7920 4	Vodafone Limited	071-075 and 077-079	31/03/2004
7920 5	Vodafone Limited	071-075 and 077-079	31/03/2004
7920 6	Vodafone Limited	071-075 and 077-079	31/03/2004
7920 7	Vodafone Limited	071-075 and 077-079	31/03/2004

Number Block	CP Name	Number Block Type	Allocation Date
7920 8	Vodafone Limited	071-075 and 077-079	31/03/2004
7920 9	Vodafone Limited	071-075 and 077-079	31/03/2004
7921 0	Telefonica UK Limited	071-075 and 077-079	28/09/2004
7921 1	Telefonica UK Limited	071-075 and 077-079	28/09/2004
7921 2	Telefonica UK Limited	071-075 and 077-079	28/09/2004
7921 3	Telefonica UK Limited	071-075 and 077-079	28/09/2004
7921 4	Telefonica UK Limited	071-075 and 077-079	28/09/2004
7921 5	Telefonica UK Limited	071-075 and 077-079	28/09/2004
7921 6	Telefonica UK Limited	071-075 and 077-079	28/09/2004
7921 7	Telefonica UK Limited	071-075 and 077-079	28/09/2004
7921 8	Telefonica UK Limited	071-075 and 077-079	28/09/2004
7921 9	Telefonica UK Limited	071-075 and 077-079	28/09/2004
7922 0	Telefonica UK Limited	071-075 and 077-079	12/07/2005
7922 1	Telefonica UK Limited	071-075 and 077-079	12/07/2005
7922 2	Telefonica UK Limited	071-075 and 077-079	12/07/2005
7922 3	Telefonica UK Limited	071-075 and 077-079	12/07/2005
7922 4	Telefonica UK Limited	071-075 and 077-079	12/07/2005
7922 5	Telefonica UK Limited	071-075 and 077-079	12/07/2005
7922 6	Telefonica UK Limited	071-075 and 077-079	12/07/2005
7922 7	Telefonica UK Limited	071-075 and 077-079	12/07/2005
7922 8	Telefonica UK Limited	071-075 and 077-079	12/07/2005
7922 9	Telefonica UK Limited	071-075 and 077-079	12/07/2005
7923 0	Telefonica UK Limited	071-075 and 077-079	16/02/2006
7923 1	Telefonica UK Limited	071-075 and 077-079	16/02/2006
7923 2	Telefonica UK Limited	071-075 and 077-079	16/02/2006
7923 3	Telefonica UK Limited	071-075 and 077-079	16/02/2006
7923 4	Telefonica UK Limited	071-075 and 077-079	16/02/2006
7923 5	Telefonica UK Limited	071-075 and 077-079	16/02/2006
7923 6	Telefonica UK Limited	071-075 and 077-079	16/02/2006
7923 7	Telefonica UK Limited	071-075 and 077-079	16/02/2006
7923 8	Telefonica UK Limited	071-075 and 077-079	16/02/2006
7923 9	Telefonica UK Limited	071-075 and 077-079	16/02/2006
7924 0	MANX TELECOM TRADING LIMITED	071-075 and 077-079	07/02/2017
7924 1	MANX TELECOM TRADING LIMITED	071-075 and 077-079	07/02/2017
7924 2	MANX TELECOM TRADING LIMITED	071-075 and 077-079	07/02/2017
7924 3	MANX TELECOM TRADING LIMITED	071-075 and 077-079	07/02/2017
7924 4	MANX TELECOM TRADING LIMITED	071-075 and 077-079	07/02/2017
7924 6	MANX TELECOM TRADING LIMITED	071-075 and 077-079	07/02/2017
7924 7	MANX TELECOM TRADING LIMITED	071-075 and 077-079	07/02/2017
7924 8	MANX TELECOM TRADING LIMITED	071-075 and 077-079	07/02/2017
7924 9	MANX TELECOM TRADING LIMITED	071-075 and 077-079	07/02/2017
7925 0	Telefonica UK Limited	071-075 and 077-079	24/05/2006
7925 1	Telefonica UK Limited	071-075 and 077-079	24/05/2006
7925 2	Telefonica UK Limited	071-075 and 077-079	24/05/2006
7925 3	Telefonica UK Limited	071-075 and 077-079	24/05/2006
7925 4	Telefonica UK Limited	071-075 and 077-079	24/05/2006
7925 5	Telefonica UK Limited	071-075 and 077-079	24/05/2006
7925 6	Telefonica UK Limited	071-075 and 077-079	24/05/2006
7925 7	Telefonica UK Limited	071-075 and 077-079	24/05/2006

Number Block	CP Name	Number Block Type	Allocation Date
7925 8	Telefonica UK Limited	071-075 and 077-079	24/05/2006
7925 9	Telefonica UK Limited	071-075 and 077-079	24/05/2006
7926 0	Telefonica UK Limited	071-075 and 077-079	09/01/2006
7926 1	Telefonica UK Limited	071-075 and 077-079	09/01/2006
7926 2	Telefonica UK Limited	071-075 and 077-079	09/01/2006
7926 3	Telefonica UK Limited	071-075 and 077-079	09/01/2006
7926 4	Telefonica UK Limited	071-075 and 077-079	09/01/2006
7926 5	Telefonica UK Limited	071-075 and 077-079	09/01/2006
7926 6	Telefonica UK Limited	071-075 and 077-079	09/01/2006
7926 7	Telefonica UK Limited	071-075 and 077-079	09/01/2006
7926 8	Telefonica UK Limited	071-075 and 077-079	09/01/2006
7926 9	Telefonica UK Limited	071-075 and 077-079	09/01/2006
7927 0	Telefonica UK Limited	071-075 and 077-079	09/01/2006
7927 1	Telefonica UK Limited	071-075 and 077-079	09/01/2006
7927 2	Telefonica UK Limited	071-075 and 077-079	09/01/2006
7927 3	Telefonica UK Limited	071-075 and 077-079	09/01/2006
7927 4	Telefonica UK Limited	071-075 and 077-079	09/01/2006
7927 5	Telefonica UK Limited	071-075 and 077-079	09/01/2006
7927 6	Telefonica UK Limited	071-075 and 077-079	09/01/2006
7927 7	Telefonica UK Limited	071-075 and 077-079	09/01/2006
7927 8	Telefonica UK Limited	071-075 and 077-079	09/01/2006
7927 9	Telefonica UK Limited	071-075 and 077-079	09/01/2006
7928 0	Telefonica UK Limited	071-075 and 077-079	09/01/2006
7928 1	Telefonica UK Limited	071-075 and 077-079	09/01/2006
7928 2	Telefonica UK Limited	071-075 and 077-079	09/01/2006
7928 3	Telefonica UK Limited	071-075 and 077-079	09/01/2006
7928 4	Telefonica UK Limited	071-075 and 077-079	09/01/2006
7928 5	Telefonica UK Limited	071-075 and 077-079	09/01/2006
7928 6	Telefonica UK Limited	071-075 and 077-079	09/01/2006
7928 7	Telefonica UK Limited	071-075 and 077-079	09/01/2006
7928 8	Telefonica UK Limited	071-075 and 077-079	09/01/2006
7928 9	Telefonica UK Limited	071-075 and 077-079	09/01/2006
7929 0	EE Limited (Orange)	071-075 and 077-079	23/02/2000
7929 1	EE Limited (Orange)	071-075 and 077-079	23/02/2000
7929 2	EE Limited (Orange)	071-075 and 077-079	23/02/2000
7929 3	EE Limited (Orange)	071-075 and 077-079	23/02/2000
7929 4	EE Limited (Orange)	071-075 and 077-079	23/02/2000
7929 5	EE Limited (Orange)	071-075 and 077-079	23/02/2000
7929 6	EE Limited (Orange)	071-075 and 077-079	23/02/2000
7929 7	EE Limited (Orange)	071-075 and 077-079	23/02/2000
7929 8	EE Limited (Orange)	071-075 and 077-079	23/02/2000
7929 9	EE Limited (Orange)	071-075 and 077-079	23/02/2000
7930 0	EE Limited (TM)	071-075 and 077-079	21/02/2000
7930 1	EE Limited (TM)	071-075 and 077-079	21/02/2000
7930 2	EE Limited (TM)	071-075 and 077-079	21/02/2000
7930 3	EE Limited (TM)	071-075 and 077-079	21/02/2000
7930 4	EE Limited (TM)	071-075 and 077-079	21/02/2000
7930 5	EE Limited (TM)	071-075 and 077-079	21/02/2000
7930 6	EE Limited (TM)	071-075 and 077-079	21/02/2000

Number Block	CP Name	Number Block Type	Allocation Date
7930 7	EE Limited (TM)	071-075 and 077-079	21/02/2000
7930 8	EE Limited (TM)	071-075 and 077-079	21/02/2000
7930 9	EE Limited (TM)	071-075 and 077-079	21/02/2000
7931 0	EE Limited (TM)	071-075 and 077-079	21/02/2000
7931 1	EE Limited (TM)	071-075 and 077-079	21/02/2000
7931 2	EE Limited (TM)	071-075 and 077-079	21/02/2000
7931 3	EE Limited (TM)	071-075 and 077-079	21/02/2000
7931 4	EE Limited (TM)	071-075 and 077-079	21/02/2000
7931 5	EE Limited (TM)	071-075 and 077-079	21/02/2000
7931 6	EE Limited (TM)	071-075 and 077-079	21/02/2000
7931 7	EE Limited (TM)	071-075 and 077-079	21/02/2000
7931 8	EE Limited (TM)	071-075 and 077-079	21/02/2000
7931 9	EE Limited (TM)	071-075 and 077-079	21/02/2000
7932 0	EE Limited (TM)	071-075 and 077-079	21/02/2000
7932 1	EE Limited (TM)	071-075 and 077-079	21/02/2000
7932 2	EE Limited (TM)	071-075 and 077-079	21/02/2000
7932 3	EE Limited (TM)	071-075 and 077-079	21/02/2000
7932 4	EE Limited (TM)	071-075 and 077-079	21/02/2000
7932 5	EE Limited (TM)	071-075 and 077-079	21/02/2000
7932 6	EE Limited (TM)	071-075 and 077-079	21/02/2000
7932 7	EE Limited (TM)	071-075 and 077-079	21/02/2000
7932 8	EE Limited (TM)	071-075 and 077-079	21/02/2000
7932 9	EE Limited (TM)	071-075 and 077-079	21/02/2000
7933 0	Telefonica UK Limited	071-075 and 077-079	12/07/2005
7933 1	Telefonica UK Limited	071-075 and 077-079	12/07/2005
7933 2	Telefonica UK Limited	071-075 and 077-079	12/07/2005
7933 3	Telefonica UK Limited	071-075 and 077-079	12/07/2005
7933 4	Telefonica UK Limited	071-075 and 077-079	12/07/2005
7933 5	Telefonica UK Limited	071-075 and 077-079	12/07/2005
7933 6	Telefonica UK Limited	071-075 and 077-079	12/07/2005
7933 7	Telefonica UK Limited	071-075 and 077-079	12/07/2005
7933 8	Telefonica UK Limited	071-075 and 077-079	12/07/2005
7933 9	Telefonica UK Limited	071-075 and 077-079	12/07/2005
7934 0	Telefonica UK Limited	071-075 and 077-079	24/05/2006
7934 1	Telefonica UK Limited	071-075 and 077-079	24/05/2006
7934 2	Telefonica UK Limited	071-075 and 077-079	24/05/2006
7934 3	Telefonica UK Limited	071-075 and 077-079	24/05/2006
7934 4	Telefonica UK Limited	071-075 and 077-079	24/05/2006
7934 5	Telefonica UK Limited	071-075 and 077-079	24/05/2006
7934 6	Telefonica UK Limited	071-075 and 077-079	24/05/2006
7934 7	Telefonica UK Limited	071-075 and 077-079	24/05/2006
7934 8	Telefonica UK Limited	071-075 and 077-079	24/05/2006
7934 9	Telefonica UK Limited	071-075 and 077-079	24/05/2006
7935 0	Telefonica UK Limited	071-075 and 077-079	24/05/2006
7935 1	Telefonica UK Limited	071-075 and 077-079	24/05/2006
7935 2	Telefonica UK Limited	071-075 and 077-079	24/05/2006
7935 3	Telefonica UK Limited	071-075 and 077-079	24/05/2006
7935 4	Telefonica UK Limited	071-075 and 077-079	24/05/2006
7935 5	Telefonica UK Limited	071-075 and 077-079	24/05/2006

Number Block	CP Name	Number Block Type	Allocation Date
7935 6	Telefonica UK Limited	071-075 and 077-079	24/05/2006
7935 7	Telefonica UK Limited	071-075 and 077-079	24/05/2006
7935 8	Telefonica UK Limited	071-075 and 077-079	24/05/2006
7935 9	Telefonica UK Limited	071-075 and 077-079	24/05/2006
7936 0	Telefonica UK Limited	071-075 and 077-079	24/05/2006
7936 1	Telefonica UK Limited	071-075 and 077-079	24/05/2006
7936 2	Telefonica UK Limited	071-075 and 077-079	24/05/2006
7936 3	Telefonica UK Limited	071-075 and 077-079	24/05/2006
7936 4	Telefonica UK Limited	071-075 and 077-079	24/05/2006
7936 5	Telefonica UK Limited	071-075 and 077-079	24/05/2006
7936 6	Telefonica UK Limited	071-075 and 077-079	24/05/2006
7936 7	Telefonica UK Limited	071-075 and 077-079	24/05/2006
7936 8	Telefonica UK Limited	071-075 and 077-079	24/05/2006
7936 9	Telefonica UK Limited	071-075 and 077-079	24/05/2006
7937 0	JT (Jersey) Limited	071-075 and 077-079	19/07/2006
7937 1	JT (Jersey) Limited	071-075 and 077-079	19/07/2006
7937 2	JT (Jersey) Limited	071-075 and 077-079	19/07/2006
7937 3	JT (Jersey) Limited	071-075 and 077-079	19/07/2006
7937 4	JT (Jersey) Limited	071-075 and 077-079	19/07/2006
7937 5	JT (Jersey) Limited	071-075 and 077-079	19/07/2006
7937 6	JT (Jersey) Limited	071-075 and 077-079	19/07/2006
7937 7	JT (Jersey) Limited	071-075 and 077-079	19/07/2006
7937 8	JT (Jersey) Limited	071-075 and 077-079	19/07/2006
7937 9	JT (Jersey) Limited	071-075 and 077-079	19/07/2006
7938 0	Telefonica UK Limited	071-075 and 077-079	16/08/2006
7938 1	Telefonica UK Limited	071-075 and 077-079	16/08/2006
7938 2	Telefonica UK Limited	071-075 and 077-079	16/08/2006
7938 3	Telefonica UK Limited	071-075 and 077-079	16/08/2006
7938 4	Telefonica UK Limited	071-075 and 077-079	16/08/2006
7938 5	Telefonica UK Limited	071-075 and 077-079	16/08/2006
7938 6	Telefonica UK Limited	071-075 and 077-079	16/08/2006
7938 7	Telefonica UK Limited	071-075 and 077-079	16/08/2006
7938 8	Telefonica UK Limited	071-075 and 077-079	16/08/2006
7938 9	Telefonica UK Limited	071-075 and 077-079	16/08/2006
7939 0	EE Limited (TM)	071-075 and 077-079	21/02/2000
7939 1	EE Limited (TM)	071-075 and 077-079	21/02/2000
7939 2	EE Limited (TM)	071-075 and 077-079	21/02/2000
7939 3	EE Limited (TM)	071-075 and 077-079	21/02/2000
7939 4	EE Limited (TM)	071-075 and 077-079	21/02/2000
7939 5	EE Limited (TM)	071-075 and 077-079	21/02/2000
7939 6	EE Limited (TM)	071-075 and 077-079	21/02/2000
7939 7	EE Limited (TM)	071-075 and 077-079	21/02/2000
7939 8	EE Limited (TM)	071-075 and 077-079	21/02/2000
7939 9	EE Limited (TM)	071-075 and 077-079	21/02/2000
7940 0	EE Limited (TM)	071-075 and 077-079	21/02/2000
7940 1	EE Limited (TM)	071-075 and 077-079	21/02/2000
7940 2	EE Limited (TM)	071-075 and 077-079	21/02/2000
7940 3	EE Limited (TM)	071-075 and 077-079	21/02/2000
7940 4	EE Limited (TM)	071-075 and 077-079	21/02/2000

Number Block	CP Name	Number Block Type	Allocation Date
7940 5	EE Limited (TM)	071-075 and 077-079	21/02/2000
7940 6	EE Limited (TM)	071-075 and 077-079	21/02/2000
7940 7	EE Limited (TM)	071-075 and 077-079	21/02/2000
7940 8	EE Limited (TM)	071-075 and 077-079	21/02/2000
7940 9	EE Limited (TM)	071-075 and 077-079	21/02/2000
7941 0	EE Limited (TM)	071-075 and 077-079	21/02/2000
7941 1	EE Limited (TM)	071-075 and 077-079	21/02/2000
7941 2	EE Limited (TM)	071-075 and 077-079	21/02/2000
7941 3	EE Limited (TM)	071-075 and 077-079	21/02/2000
7941 4	EE Limited (TM)	071-075 and 077-079	21/02/2000
7941 5	EE Limited (TM)	071-075 and 077-079	21/02/2000
7941 6	EE Limited (TM)	071-075 and 077-079	21/02/2000
7941 7	EE Limited (TM)	071-075 and 077-079	21/02/2000
7941 8	EE Limited (TM)	071-075 and 077-079	21/02/2000
7941 9	EE Limited (TM)	071-075 and 077-079	21/02/2000
7942 0	EE Limited (TM)	071-075 and 077-079	08/06/2006
7942 1	EE Limited (TM)	071-075 and 077-079	08/06/2006
7942 2	EE Limited (TM)	071-075 and 077-079	08/06/2006
7942 3	EE Limited (TM)	071-075 and 077-079	08/06/2006
7942 4	EE Limited (TM)	071-075 and 077-079	08/06/2006
7942 5	EE Limited (TM)	071-075 and 077-079	08/06/2006
7942 6	EE Limited (TM)	071-075 and 077-079	08/06/2006
7942 7	EE Limited (TM)	071-075 and 077-079	08/06/2006
7942 8	EE Limited (TM)	071-075 and 077-079	08/06/2006
7942 9	EE Limited (TM)	071-075 and 077-079	08/06/2006
7943 0	EE Limited (TM)	071-075 and 077-079	08/06/2006
7943 1	EE Limited (TM)	071-075 and 077-079	08/06/2006
7943 2	EE Limited (TM)	071-075 and 077-079	08/06/2006
7943 3	EE Limited (TM)	071-075 and 077-079	08/06/2006
7943 4	EE Limited (TM)	071-075 and 077-079	08/06/2006
7943 5	EE Limited (TM)	071-075 and 077-079	08/06/2006
7943 6	EE Limited (TM)	071-075 and 077-079	08/06/2006
7943 7	EE Limited (TM)	071-075 and 077-079	08/06/2006
7943 8	EE Limited (TM)	071-075 and 077-079	08/06/2006
7943 9	EE Limited (TM)	071-075 and 077-079	08/06/2006
7944 0	EE Limited (TM)	071-075 and 077-079	21/02/2000
7944 1	EE Limited (TM)	071-075 and 077-079	21/02/2000
7944 2	EE Limited (TM)	071-075 and 077-079	21/02/2000
7944 3	EE Limited (TM)	071-075 and 077-079	21/02/2000
7944 4	EE Limited (TM)	071-075 and 077-079	21/02/2000
7944 5	EE Limited (TM)	071-075 and 077-079	21/02/2000
7944 6	EE Limited (TM)	071-075 and 077-079	21/02/2000
7944 7	EE Limited (TM)	071-075 and 077-079	21/02/2000
7944 8	EE Limited (TM)	071-075 and 077-079	21/02/2000
7944 9	EE Limited (TM)	071-075 and 077-079	21/02/2000
7945 0	EE Limited (TM)	071-075 and 077-079	08/06/2006
7945 1	EE Limited (TM)	071-075 and 077-079	08/06/2006
7945 2	EE Limited (TM)	071-075 and 077-079	08/06/2006
7945 3	EE Limited (TM)	071-075 and 077-079	08/06/2006

Number Block	CP Name	Number Block Type	Allocation Date
7945 4	EE Limited (TM)	071-075 and 077-079	08/06/2006
7945 5	EE Limited (TM)	071-075 and 077-079	08/06/2006
7945 6	EE Limited (TM)	071-075 and 077-079	08/06/2006
7945 7	EE Limited (TM)	071-075 and 077-079	08/06/2006
7945 8	EE Limited (TM)	071-075 and 077-079	08/06/2006
7945 9	EE Limited (TM)	071-075 and 077-079	08/06/2006
7946 0	EE Limited (TM)	071-075 and 077-079	21/02/2000
7946 1	EE Limited (TM)	071-075 and 077-079	21/02/2000
7946 2	EE Limited (TM)	071-075 and 077-079	21/02/2000
7946 3	EE Limited (TM)	071-075 and 077-079	21/02/2000
7946 4	EE Limited (TM)	071-075 and 077-079	21/02/2000
7946 5	EE Limited (TM)	071-075 and 077-079	21/02/2000
7946 6	EE Limited (TM)	071-075 and 077-079	21/02/2000
7946 7	EE Limited (TM)	071-075 and 077-079	21/02/2000
7946 8	EE Limited (TM)	071-075 and 077-079	21/02/2000
7946 9	EE Limited (TM)	071-075 and 077-079	21/02/2000
7947 0	EE Limited (TM)	071-075 and 077-079	21/02/2000
7947 1	EE Limited (TM)	071-075 and 077-079	21/02/2000
7947 2	EE Limited (TM)	071-075 and 077-079	21/02/2000
7947 3	EE Limited (TM)	071-075 and 077-079	21/02/2000
7947 4	EE Limited (TM)	071-075 and 077-079	21/02/2000
7947 5	EE Limited (TM)	071-075 and 077-079	21/02/2000
7947 6	EE Limited (TM)	071-075 and 077-079	21/02/2000
7947 7	EE Limited (TM)	071-075 and 077-079	21/02/2000
7947 8	EE Limited (TM)	071-075 and 077-079	21/02/2000
7947 9	EE Limited (TM)	071-075 and 077-079	21/02/2000
7948 0	EE Limited (TM)	071-075 and 077-079	08/06/2006
7948 1	EE Limited (TM)	071-075 and 077-079	08/06/2006
7948 2	EE Limited (TM)	071-075 and 077-079	08/06/2006
7948 3	EE Limited (TM)	071-075 and 077-079	08/06/2006
7948 4	EE Limited (TM)	071-075 and 077-079	08/06/2006
7948 5	EE Limited (TM)	071-075 and 077-079	08/06/2006
7948 6	EE Limited (TM)	071-075 and 077-079	08/06/2006
7948 7	EE Limited (TM)	071-075 and 077-079	08/06/2006
7948 8	EE Limited (TM)	071-075 and 077-079	08/06/2006
7948 9	EE Limited (TM)	071-075 and 077-079	08/06/2006
7949 0	EE Limited (TM)	071-075 and 077-079	21/02/2000
7949 1	EE Limited (TM)	071-075 and 077-079	21/02/2000
7949 2	EE Limited (TM)	071-075 and 077-079	21/02/2000
7949 3	EE Limited (TM)	071-075 and 077-079	21/02/2000
7949 4	EE Limited (TM)	071-075 and 077-079	21/02/2000
7949 5	EE Limited (TM)	071-075 and 077-079	21/02/2000
7949 6	EE Limited (TM)	071-075 and 077-079	21/02/2000
7949 7	EE Limited (TM)	071-075 and 077-079	21/02/2000
7949 8	EE Limited (TM)	071-075 and 077-079	21/02/2000
7949 9	EE Limited (TM)	071-075 and 077-079	21/02/2000
7950 0	EE Limited (TM)	071-075 and 077-079	21/02/2000
7950 1	EE Limited (TM)	071-075 and 077-079	21/02/2000
7950 2	EE Limited (TM)	071-075 and 077-079	21/02/2000

Number Block	CP Name	Number Block Type	Allocation Date
7950 3	EE Limited (TM)	071-075 and 077-079	21/02/2000
7950 4	EE Limited (TM)	071-075 and 077-079	21/02/2000
7950 5	EE Limited (TM)	071-075 and 077-079	21/02/2000
7950 6	EE Limited (TM)	071-075 and 077-079	21/02/2000
7950 7	EE Limited (TM)	071-075 and 077-079	21/02/2000
7950 8	EE Limited (TM)	071-075 and 077-079	21/02/2000
7950 9	EE Limited (TM)	071-075 and 077-079	21/02/2000
7951 0	EE Limited (TM)	071-075 and 077-079	21/02/2000
7951 1	EE Limited (TM)	071-075 and 077-079	21/02/2000
7951 2	EE Limited (TM)	071-075 and 077-079	21/02/2000
7951 3	EE Limited (TM)	071-075 and 077-079	21/02/2000
7951 4	EE Limited (TM)	071-075 and 077-079	21/02/2000
7951 5	EE Limited (TM)	071-075 and 077-079	21/02/2000
7951 6	EE Limited (TM)	071-075 and 077-079	21/02/2000
7951 7	EE Limited (TM)	071-075 and 077-079	21/02/2000
7951 8	EE Limited (TM)	071-075 and 077-079	21/02/2000
7951 9	EE Limited (TM)	071-075 and 077-079	21/02/2000
7952 0	EE Limited (TM)	071-075 and 077-079	08/01/2001
7952 1	EE Limited (TM)	071-075 and 077-079	08/01/2001
7952 2	EE Limited (TM)	071-075 and 077-079	08/01/2001
7952 3	EE Limited (TM)	071-075 and 077-079	08/01/2001
7952 4	EE Limited (TM)	071-075 and 077-079	08/01/2001
7952 5	EE Limited (TM)	071-075 and 077-079	08/01/2001
7952 6	EE Limited (TM)	071-075 and 077-079	08/01/2001
7952 7	EE Limited (TM)	071-075 and 077-079	08/01/2001
7952 8	EE Limited (TM)	071-075 and 077-079	08/01/2001
7952 9	EE Limited (TM)	071-075 and 077-079	08/01/2001
7953 0	EE Limited (TM)	071-075 and 077-079	21/02/2000
7953 1	EE Limited (TM)	071-075 and 077-079	21/02/2000
7953 2	EE Limited (TM)	071-075 and 077-079	21/02/2000
7953 3	EE Limited (TM)	071-075 and 077-079	21/02/2000
7953 4	EE Limited (TM)	071-075 and 077-079	21/02/2000
7953 5	EE Limited (TM)	071-075 and 077-079	21/02/2000
7953 6	EE Limited (TM)	071-075 and 077-079	21/02/2000
7953 7	EE Limited (TM)	071-075 and 077-079	21/02/2000
7953 8	EE Limited (TM)	071-075 and 077-079	21/02/2000
7953 9	EE Limited (TM)	071-075 and 077-079	21/02/2000
7954 0	EE Limited (TM)	071-075 and 077-079	08/06/2006
7954 1	EE Limited (TM)	071-075 and 077-079	08/06/2006
7954 2	EE Limited (TM)	071-075 and 077-079	08/06/2006
7954 3	EE Limited (TM)	071-075 and 077-079	08/06/2006
7954 4	EE Limited (TM)	071-075 and 077-079	08/06/2006
7954 5	EE Limited (TM)	071-075 and 077-079	08/06/2006
7954 6	EE Limited (TM)	071-075 and 077-079	08/06/2006
7954 7	EE Limited (TM)	071-075 and 077-079	08/06/2006
7954 8	EE Limited (TM)	071-075 and 077-079	08/06/2006
7954 9	EE Limited (TM)	071-075 and 077-079	08/06/2006
7955 0	Telefonica UK Limited	071-075 and 077-079	12/07/2005
7955 1	Telefonica UK Limited	071-075 and 077-079	12/07/2005

Number Block	CP Name	Number Block Type	Allocation Date
7955 2	Telefonica UK Limited	071-075 and 077-079	12/07/2005
7955 3	Telefonica UK Limited	071-075 and 077-079	12/07/2005
7955 4	Telefonica UK Limited	071-075 and 077-079	12/07/2005
7955 5	Telefonica UK Limited	071-075 and 077-079	12/07/2005
7955 6	Telefonica UK Limited	071-075 and 077-079	12/07/2005
7955 7	Telefonica UK Limited	071-075 and 077-079	12/07/2005
7955 8	Telefonica UK Limited	071-075 and 077-079	12/07/2005
7955 9	Telefonica UK Limited	071-075 and 077-079	12/07/2005
7956 0	EE Limited (TM)	071-075 and 077-079	21/02/2000
7956 1	EE Limited (TM)	071-075 and 077-079	21/02/2000
7956 2	EE Limited (TM)	071-075 and 077-079	21/02/2000
7956 3	EE Limited (TM)	071-075 and 077-079	21/02/2000
7956 4	EE Limited (TM)	071-075 and 077-079	21/02/2000
7956 5	EE Limited (TM)	071-075 and 077-079	21/02/2000
7956 6	EE Limited (TM)	071-075 and 077-079	21/02/2000
7956 7	EE Limited (TM)	071-075 and 077-079	21/02/2000
7956 8	EE Limited (TM)	071-075 and 077-079	21/02/2000
7956 9	EE Limited (TM)	071-075 and 077-079	21/02/2000
7957 0	EE Limited (TM)	071-075 and 077-079	21/02/2000
7957 1	EE Limited (TM)	071-075 and 077-079	21/02/2000
7957 2	EE Limited (TM)	071-075 and 077-079	21/02/2000
7957 3	EE Limited (TM)	071-075 and 077-079	21/02/2000
7957 4	EE Limited (TM)	071-075 and 077-079	21/02/2000
7957 5	EE Limited (TM)	071-075 and 077-079	21/02/2000
7957 6	EE Limited (TM)	071-075 and 077-079	21/02/2000
7957 7	EE Limited (TM)	071-075 and 077-079	21/02/2000
7957 8	EE Limited (TM)	071-075 and 077-079	21/02/2000
7957 9	EE Limited (TM)	071-075 and 077-079	21/02/2000
7958 0	EE Limited (TM)	071-075 and 077-079	21/02/2000
7958 1	EE Limited (TM)	071-075 and 077-079	21/02/2000
7958 2	EE Limited (TM)	071-075 and 077-079	21/02/2000
7958 3	EE Limited (TM)	071-075 and 077-079	21/02/2000
7958 4	EE Limited (TM)	071-075 and 077-079	21/02/2000
7958 5	EE Limited (TM)	071-075 and 077-079	21/02/2000
7958 6	EE Limited (TM)	071-075 and 077-079	21/02/2000
7958 7	EE Limited (TM)	071-075 and 077-079	21/02/2000
7958 8	EE Limited (TM)	071-075 and 077-079	21/02/2000
7958 9	EE Limited (TM)	071-075 and 077-079	21/02/2000
7959 0	EE Limited (TM)	071-075 and 077-079	05/04/2000
7959 1	EE Limited (TM)	071-075 and 077-079	05/04/2000
7959 2	EE Limited (TM)	071-075 and 077-079	05/04/2000
7959 3	EE Limited (TM)	071-075 and 077-079	05/04/2000
7959 4	EE Limited (TM)	071-075 and 077-079	05/04/2000
7959 5	EE Limited (TM)	071-075 and 077-079	05/04/2000
7959 6	EE Limited (TM)	071-075 and 077-079	05/04/2000
7959 7	EE Limited (TM)	071-075 and 077-079	05/04/2000
7959 8	EE Limited (TM)	071-075 and 077-079	05/04/2000
7959 9	EE Limited (TM)	071-075 and 077-079	05/04/2000
7960 0	EE Limited (TM)	071-075 and 077-079	05/04/2000

Number Block	CP Name	Number Block Type	Allocation Date
7960 1	EE Limited (TM)	071-075 and 077-079	05/04/2000
7960 2	EE Limited (TM)	071-075 and 077-079	05/04/2000
7960 3	EE Limited (TM)	071-075 and 077-079	05/04/2000
7960 4	EE Limited (TM)	071-075 and 077-079	05/04/2000
7960 5	EE Limited (TM)	071-075 and 077-079	05/04/2000
7960 6	EE Limited (TM)	071-075 and 077-079	05/04/2000
7960 7	EE Limited (TM)	071-075 and 077-079	05/04/2000
7960 8	EE Limited (TM)	071-075 and 077-079	05/04/2000
7960 9	EE Limited (TM)	071-075 and 077-079	05/04/2000
7961 0	EE Limited (TM)	071-075 and 077-079	21/02/2000
7961 1	EE Limited (TM)	071-075 and 077-079	21/02/2000
7961 2	EE Limited (TM)	071-075 and 077-079	21/02/2000
7961 3	EE Limited (TM)	071-075 and 077-079	21/02/2000
7961 4	EE Limited (TM)	071-075 and 077-079	21/02/2000
7961 5	EE Limited (TM)	071-075 and 077-079	21/02/2000
7961 6	EE Limited (TM)	071-075 and 077-079	21/02/2000
7961 7	EE Limited (TM)	071-075 and 077-079	21/02/2000
7961 8	EE Limited (TM)	071-075 and 077-079	21/02/2000
7961 9	EE Limited (TM)	071-075 and 077-079	21/02/2000
7962 0	EE Limited (TM)	071-075 and 077-079	08/01/2001
7962 1	EE Limited (TM)	071-075 and 077-079	08/01/2001
7962 2	EE Limited (TM)	071-075 and 077-079	08/01/2001
7962 3	EE Limited (TM)	071-075 and 077-079	08/01/2001
7962 4	EE Limited (TM)	071-075 and 077-079	08/01/2001
7962 5	EE Limited (TM)	071-075 and 077-079	08/01/2001
7962 6	EE Limited (TM)	071-075 and 077-079	08/01/2001
7962 7	EE Limited (TM)	071-075 and 077-079	08/01/2001
7962 8	EE Limited (TM)	071-075 and 077-079	08/01/2001
7962 9	EE Limited (TM)	071-075 and 077-079	08/01/2001
7963 0	EE Limited (TM)	071-075 and 077-079	18/06/2003
7963 1	EE Limited (TM)	071-075 and 077-079	18/06/2003
7963 2	EE Limited (TM)	071-075 and 077-079	18/06/2003
7963 3	EE Limited (TM)	071-075 and 077-079	18/06/2003
7963 4	EE Limited (TM)	071-075 and 077-079	18/06/2003
7963 5	EE Limited (TM)	071-075 and 077-079	18/06/2003
7963 6	EE Limited (TM)	071-075 and 077-079	18/06/2003
7963 7	EE Limited (TM)	071-075 and 077-079	18/06/2003
7963 8	EE Limited (TM)	071-075 and 077-079	18/06/2003
7963 9	EE Limited (TM)	071-075 and 077-079	18/06/2003
7964 0	EE Limited (Orange)	071-075 and 077-079	28/02/2006
7964 1	EE Limited (Orange)	071-075 and 077-079	28/02/2006
7964 2	EE Limited (Orange)	071-075 and 077-079	28/02/2006
7964 3	EE Limited (Orange)	071-075 and 077-079	28/02/2006
7964 4	EE Limited (Orange)	071-075 and 077-079	28/02/2006
7964 5	EE Limited (Orange)	071-075 and 077-079	28/02/2006
7964 6	EE Limited (Orange)	071-075 and 077-079	28/02/2006
7964 7	EE Limited (Orange)	071-075 and 077-079	28/02/2006
7964 8	EE Limited (Orange)	071-075 and 077-079	28/02/2006
7964 9	EE Limited (Orange)	071-075 and 077-079	28/02/2006

Number Block	CP Name	Number Block Type	Allocation Date
7965 0	EE Limited (Orange)	071-075 and 077-079	28/02/2006
7965 1	EE Limited (Orange)	071-075 and 077-079	28/02/2006
7965 2	EE Limited (Orange)	071-075 and 077-079	28/02/2006
7965 3	EE Limited (Orange)	071-075 and 077-079	28/02/2006
7965 4	EE Limited (Orange)	071-075 and 077-079	28/02/2006
7965 5	EE Limited (Orange)	071-075 and 077-079	28/02/2006
7965 6	EE Limited (Orange)	071-075 and 077-079	28/02/2006
7965 7	EE Limited (Orange)	071-075 and 077-079	28/02/2006
7965 8	EE Limited (Orange)	071-075 and 077-079	28/02/2006
7965 9	EE Limited (Orange)	071-075 and 077-079	28/02/2006
7966 0	EE Limited (Orange)	071-075 and 077-079	10/08/1998
7966 1	EE Limited (Orange)	071-075 and 077-079	10/08/1998
7966 2	EE Limited (Orange)	071-075 and 077-079	10/08/1998
7966 3	EE Limited (Orange)	071-075 and 077-079	10/08/1998
7966 4	EE Limited (Orange)	071-075 and 077-079	10/08/1998
7966 5	EE Limited (Orange)	071-075 and 077-079	10/08/1998
7966 6	EE Limited (Orange)	071-075 and 077-079	10/08/1998
7966 7	EE Limited (Orange)	071-075 and 077-079	10/08/1998
7966 8	EE Limited (Orange)	071-075 and 077-079	10/08/1998
7966 9	EE Limited (Orange)	071-075 and 077-079	10/08/1998
7967 0	EE Limited (Orange)	071-075 and 077-079	06/11/1998
7967 1	EE Limited (Orange)	071-075 and 077-079	06/11/1998
7967 2	EE Limited (Orange)	071-075 and 077-079	06/11/1998
7967 3	EE Limited (Orange)	071-075 and 077-079	06/11/1998
7967 4	EE Limited (Orange)	071-075 and 077-079	06/11/1998
7967 5	EE Limited (Orange)	071-075 and 077-079	06/11/1998
7967 6	EE Limited (Orange)	071-075 and 077-079	06/11/1998
7967 7	EE Limited (Orange)	071-075 and 077-079	06/11/1998
7967 8	EE Limited (Orange)	071-075 and 077-079	06/11/1998
7967 9	EE Limited (Orange)	071-075 and 077-079	06/11/1998
7968 0	EE Limited (Orange)	071-075 and 077-079	26/02/1999
7968 1	EE Limited (Orange)	071-075 and 077-079	26/02/1999
7968 2	EE Limited (Orange)	071-075 and 077-079	26/02/1999
7968 3	EE Limited (Orange)	071-075 and 077-079	26/02/1999
7968 4	EE Limited (Orange)	071-075 and 077-079	26/02/1999
7968 5	EE Limited (Orange)	071-075 and 077-079	26/02/1999
7968 6	EE Limited (Orange)	071-075 and 077-079	26/02/1999
7968 7	EE Limited (Orange)	071-075 and 077-079	26/02/1999
7968 8	EE Limited (Orange)	071-075 and 077-079	26/02/1999
7968 9	EE Limited (Orange)	071-075 and 077-079	26/02/1999
7969 0	EE Limited (Orange)	071-075 and 077-079	17/09/2003
7969 1	EE Limited (Orange)	071-075 and 077-079	17/09/2003
7969 2	EE Limited (Orange)	071-075 and 077-079	17/09/2003
7969 3	EE Limited (Orange)	071-075 and 077-079	17/09/2003
7969 4	EE Limited (Orange)	071-075 and 077-079	17/09/2003
7969 5	EE Limited (Orange)	071-075 and 077-079	17/09/2003
7969 6	EE Limited (Orange)	071-075 and 077-079	17/09/2003
7969 7	EE Limited (Orange)	071-075 and 077-079	17/09/2003
7969 8	EE Limited (Orange)	071-075 and 077-079	17/09/2003

Number Block	CP Name	Number Block Type	Allocation Date
7969 9	EE Limited (Orange)	071-075 and 077-079	17/09/2003
7970 0	EE Limited (Orange)	071-075 and 077-079	07/05/1997
7970 1	EE Limited (Orange)	071-075 and 077-079	07/05/1997
7970 2	EE Limited (Orange)	071-075 and 077-079	07/05/1997
7970 3	EE Limited (Orange)	071-075 and 077-079	07/05/1997
7970 4	EE Limited (Orange)	071-075 and 077-079	07/05/1997
7970 5	EE Limited (Orange)	071-075 and 077-079	07/05/1997
7970 6	EE Limited (Orange)	071-075 and 077-079	07/05/1997
7970 7	EE Limited (Orange)	071-075 and 077-079	07/05/1997
7970 8	EE Limited (Orange)	071-075 and 077-079	07/05/1997
7970 9	EE Limited (Orange)	071-075 and 077-079	07/05/1997
7971 0	EE Limited (Orange)	071-075 and 077-079	08/09/1997
7971 1	EE Limited (Orange)	071-075 and 077-079	08/09/1997
7971 2	EE Limited (Orange)	071-075 and 077-079	08/09/1997
7971 3	EE Limited (Orange)	071-075 and 077-079	08/09/1997
7971 4	EE Limited (Orange)	071-075 and 077-079	08/09/1997
7971 5	EE Limited (Orange)	071-075 and 077-079	08/09/1997
7971 6	EE Limited (Orange)	071-075 and 077-079	08/09/1997
7971 7	EE Limited (Orange)	071-075 and 077-079	08/09/1997
7971 8	EE Limited (Orange)	071-075 and 077-079	08/09/1997
7971 9	EE Limited (Orange)	071-075 and 077-079	08/09/1997
7972 0	EE Limited (Orange)	071-075 and 077-079	28/02/2006
7972 1	EE Limited (Orange)	071-075 and 077-079	28/02/2006
7972 2	EE Limited (Orange)	071-075 and 077-079	28/02/2006
7972 3	EE Limited (Orange)	071-075 and 077-079	28/02/2006
7972 4	EE Limited (Orange)	071-075 and 077-079	28/02/2006
7972 5	EE Limited (Orange)	071-075 and 077-079	28/02/2006
7972 6	EE Limited (Orange)	071-075 and 077-079	28/02/2006
7972 7	EE Limited (Orange)	071-075 and 077-079	28/02/2006
7972 8	EE Limited (Orange)	071-075 and 077-079	28/02/2006
7972 9	EE Limited (Orange)	071-075 and 077-079	28/02/2006
7973 0	EE Limited (Orange)	071-075 and 077-079	01/10/1998
7973 1	EE Limited (Orange)	071-075 and 077-079	01/10/1998
7973 2	EE Limited (Orange)	071-075 and 077-079	01/10/1998
7973 3	EE Limited (Orange)	071-075 and 077-079	01/10/1998
7973 4	EE Limited (Orange)	071-075 and 077-079	01/10/1998
7973 5	EE Limited (Orange)	071-075 and 077-079	01/10/1998
7973 6	EE Limited (Orange)	071-075 and 077-079	01/10/1998
7973 7	EE Limited (Orange)	071-075 and 077-079	01/10/1998
7973 8	EE Limited (Orange)	071-075 and 077-079	01/10/1998
7973 9	EE Limited (Orange)	071-075 and 077-079	01/10/1998
7974 0	EE Limited (Orange)	071-075 and 077-079	06/11/1998
7974 1	EE Limited (Orange)	071-075 and 077-079	06/11/1998
7974 2	EE Limited (Orange)	071-075 and 077-079	06/11/1998
7974 3	EE Limited (Orange)	071-075 and 077-079	06/11/1998
7974 4	EE Limited (Orange)	071-075 and 077-079	06/11/1998
7974 5	EE Limited (Orange)	071-075 and 077-079	06/11/1998
7974 6	EE Limited (Orange)	071-075 and 077-079	06/11/1998
7974 7	EE Limited (Orange)	071-075 and 077-079	06/11/1998

Number Block	CP Name	Number Block Type	Allocation Date
7974 8	EE Limited (Orange)	071-075 and 077-079	06/11/1998
7974 9	EE Limited (Orange)	071-075 and 077-079	06/11/1998
7975 0	EE Limited (Orange)	071-075 and 077-079	28/02/2006
7975 1	EE Limited (Orange)	071-075 and 077-079	28/02/2006
7975 2	EE Limited (Orange)	071-075 and 077-079	28/02/2006
7975 3	EE Limited (Orange)	071-075 and 077-079	28/02/2006
7975 4	EE Limited (Orange)	071-075 and 077-079	28/02/2006
7975 5	EE Limited (Orange)	071-075 and 077-079	28/02/2006
7975 6	EE Limited (Orange)	071-075 and 077-079	28/02/2006
7975 7	EE Limited (Orange)	071-075 and 077-079	28/02/2006
7975 8	EE Limited (Orange)	071-075 and 077-079	28/02/2006
7975 9	EE Limited (Orange)	071-075 and 077-079	28/02/2006
7976 0	EE Limited (Orange)	071-075 and 077-079	01/10/1998
7976 1	EE Limited (Orange)	071-075 and 077-079	01/10/1998
7976 2	EE Limited (Orange)	071-075 and 077-079	01/10/1998
7976 3	EE Limited (Orange)	071-075 and 077-079	01/10/1998
7976 4	EE Limited (Orange)	071-075 and 077-079	01/10/1998
7976 5	EE Limited (Orange)	071-075 and 077-079	01/10/1998
7976 6	EE Limited (Orange)	071-075 and 077-079	01/10/1998
7976 7	EE Limited (Orange)	071-075 and 077-079	01/10/1998
7976 8	EE Limited (Orange)	071-075 and 077-079	01/10/1998
7976 9	EE Limited (Orange)	071-075 and 077-079	01/10/1998
7977 0	EE Limited (Orange)	071-075 and 077-079	29/07/1998
7977 1	EE Limited (Orange)	071-075 and 077-079	29/07/1998
7977 2	EE Limited (Orange)	071-075 and 077-079	29/07/1998
7977 3	EE Limited (Orange)	071-075 and 077-079	29/07/1998
7977 4	EE Limited (Orange)	071-075 and 077-079	19/07/1998
7977 5	EE Limited (Orange)	071-075 and 077-079	29/07/1998
7977 6	EE Limited (Orange)	071-075 and 077-079	29/07/1998
7977 7	EE Limited (Orange)	071-075 and 077-079	29/07/1998
7977 8	EE Limited (Orange)	071-075 and 077-079	29/07/1998
7977 9	EE Limited (Orange)	071-075 and 077-079	29/07/1998
7978 2	WIRELESS LOGIC LIMITED	071-075 and 077-079	12/04/2022
7978 3	WIRELESS LOGIC LIMITED	071-075 and 077-079	12/04/2022
7978 5	Icron Network Limited	071-075 and 077-079	30/01/2007
7978 6	Dynamic Mobile Billing Limited	071-075 and 077-079	19/01/2007
7978 7	TeleWare Group PLC	071-075 and 077-079	21/12/2006
7978 8	Truphone Ltd	071-075 and 077-079	30/05/2006
7978 9	IV Response Limited	071-075 and 077-079	16/01/2007
7979 0	Vodafone Limited	071-075 and 077-079	27/08/1998
7979 1	Vodafone Limited	071-075 and 077-079	27/08/1998
7979 2	Vodafone Limited	071-075 and 077-079	27/08/1998
7979 3	Vodafone Limited	071-075 and 077-079	27/08/1998
7979 4	Vodafone Limited	071-075 and 077-079	27/08/1998
7979 5	Vodafone Limited	071-075 and 077-079	27/08/1998
7979 6	Vodafone Limited	071-075 and 077-079	27/08/1998
7979 7	Vodafone Limited	071-075 and 077-079	27/08/1998
7979 8	Vodafone Limited	071-075 and 077-079	27/08/1998
7979 9	Vodafone Limited	071-075 and 077-079	27/08/1998

Number Block	CP Name	Number Block Type	Allocation Date
7980 0	EE Limited (Orange)	071-075 and 077-079	26/02/1999
7980 1	EE Limited (Orange)	071-075 and 077-079	26/02/1999
7980 2	EE Limited (Orange)	071-075 and 077-079	26/02/1999
7980 3	EE Limited (Orange)	071-075 and 077-079	26/02/1999
7980 4	EE Limited (Orange)	071-075 and 077-079	26/02/1999
7980 5	EE Limited (Orange)	071-075 and 077-079	26/02/1999
7980 6	EE Limited (Orange)	071-075 and 077-079	26/02/1999
7980 7	EE Limited (Orange)	071-075 and 077-079	26/02/1999
7980 8	EE Limited (Orange)	071-075 and 077-079	26/02/1999
7980 9	EE Limited (Orange)	071-075 and 077-079	26/02/1999
7981 0	EE Limited (TM)	071-075 and 077-079	03/09/2003
7981 1	EE Limited (TM)	071-075 and 077-079	03/09/2003
7981 2	EE Limited (TM)	071-075 and 077-079	03/09/2003
7981 3	EE Limited (TM)	071-075 and 077-079	03/09/2003
7981 4	EE Limited (TM)	071-075 and 077-079	03/09/2003
7981 5	EE Limited (TM)	071-075 and 077-079	03/09/2003
7981 6	EE Limited (TM)	071-075 and 077-079	03/09/2003
7981 7	EE Limited (TM)	071-075 and 077-079	03/09/2003
7981 8	EE Limited (TM)	071-075 and 077-079	03/09/2003
7981 9	EE Limited (TM)	071-075 and 077-079	03/09/2003
7982 0	EE Limited (TM)	071-075 and 077-079	02/03/2006
7982 1	EE Limited (TM)	071-075 and 077-079	02/03/2006
7982 2	EE Limited (TM)	071-075 and 077-079	02/03/2006
7982 3	EE Limited (TM)	071-075 and 077-079	02/03/2006
7982 4	EE Limited (TM)	071-075 and 077-079	02/03/2006
7982 5	EE Limited (TM)	071-075 and 077-079	02/03/2006
7982 6	EE Limited (TM)	071-075 and 077-079	02/03/2006
7982 7	EE Limited (TM)	071-075 and 077-079	02/03/2006
7982 8	EE Limited (TM)	071-075 and 077-079	02/03/2006
7982 9	EE Limited (TM)	071-075 and 077-079	02/03/2006
7983 0	EE Limited (TM)	071-075 and 077-079	02/03/2006
7983 1	EE Limited (TM)	071-075 and 077-079	02/03/2006
7983 2	EE Limited (TM)	071-075 and 077-079	02/03/2006
7983 3	EE Limited (TM)	071-075 and 077-079	02/03/2006
7983 4	EE Limited (TM)	071-075 and 077-079	02/03/2006
7983 5	EE Limited (TM)	071-075 and 077-079	02/03/2006
7983 6	EE Limited (TM)	071-075 and 077-079	02/03/2006
7983 7	EE Limited (TM)	071-075 and 077-079	02/03/2006
7983 8	EE Limited (TM)	071-075 and 077-079	02/03/2006
7983 9	EE Limited (TM)	071-075 and 077-079	02/03/2006
7984 0	EE Limited (TM)	071-075 and 077-079	29/09/2000
7984 1	EE Limited (TM)	071-075 and 077-079	29/09/2000
7984 2	EE Limited (TM)	071-075 and 077-079	29/09/2000
7984 3	EE Limited (TM)	071-075 and 077-079	29/09/2000
7984 4	EE Limited (TM)	071-075 and 077-079	29/09/2000
7984 5	EE Limited (TM)	071-075 and 077-079	29/09/2000
7984 6	EE Limited (TM)	071-075 and 077-079	29/09/2000
7984 7	EE Limited (TM)	071-075 and 077-079	29/09/2000
7984 8	EE Limited (TM)	071-075 and 077-079	29/09/2000

Number Block	CP Name	Number Block Type	Allocation Date
7984 9	EE Limited (TM)	071-075 and 077-079	29/09/2000
7985 0	EE Limited (TM)	071-075 and 077-079	29/09/2000
7985 1	EE Limited (TM)	071-075 and 077-079	29/09/2000
7985 2	EE Limited (TM)	071-075 and 077-079	29/09/2000
7985 3	EE Limited (TM)	071-075 and 077-079	29/09/2000
7985 4	EE Limited (TM)	071-075 and 077-079	29/09/2000
7985 5	EE Limited (TM)	071-075 and 077-079	29/09/2000
7985 6	EE Limited (TM)	071-075 and 077-079	29/09/2000
7985 7	EE Limited (TM)	071-075 and 077-079	29/09/2000
7985 8	EE Limited (TM)	071-075 and 077-079	29/09/2000
7985 9	EE Limited (TM)	071-075 and 077-079	29/09/2000
7986 0	EE Limited (TM)	071-075 and 077-079	29/09/2000
7986 1	EE Limited (TM)	071-075 and 077-079	29/09/2000
7986 2	EE Limited (TM)	071-075 and 077-079	29/09/2000
7986 3	EE Limited (TM)	071-075 and 077-079	29/09/2000
7986 4	EE Limited (TM)	071-075 and 077-079	29/09/2000
7986 5	EE Limited (TM)	071-075 and 077-079	29/09/2000
7986 6	EE Limited (TM)	071-075 and 077-079	29/09/2000
7986 7	EE Limited (TM)	071-075 and 077-079	29/09/2000
7986 8	EE Limited (TM)	071-075 and 077-079	29/09/2000
7986 9	EE Limited (TM)	071-075 and 077-079	29/09/2000
7987 0	EE Limited (TM)	071-075 and 077-079	29/09/2000
7987 1	EE Limited (TM)	071-075 and 077-079	29/09/2000
7987 2	EE Limited (TM)	071-075 and 077-079	29/09/2000
7987 3	EE Limited (TM)	071-075 and 077-079	29/09/2000
7987 4	EE Limited (TM)	071-075 and 077-079	29/09/2000
7987 5	EE Limited (TM)	071-075 and 077-079	29/09/2000
7987 6	EE Limited (TM)	071-075 and 077-079	29/09/2000
7987 7	EE Limited (TM)	071-075 and 077-079	29/09/2000
7987 8	EE Limited (TM)	071-075 and 077-079	29/09/2000
7987 9	EE Limited (TM)	071-075 and 077-079	29/09/2000
7988 0	Hutchison 3G UK Ltd	071-075 and 077-079	05/04/2005
7988 1	Hutchison 3G UK Ltd	071-075 and 077-079	05/04/2005
7988 2	Hutchison 3G UK Ltd	071-075 and 077-079	05/04/2005
7988 3	Hutchison 3G UK Ltd	071-075 and 077-079	05/04/2005
7988 4	Hutchison 3G UK Ltd	071-075 and 077-079	05/04/2005
7988 5	Hutchison 3G UK Ltd	071-075 and 077-079	05/04/2005
7988 6	Hutchison 3G UK Ltd	071-075 and 077-079	05/04/2005
7988 7	Hutchison 3G UK Ltd	071-075 and 077-079	05/04/2005
7988 8	Hutchison 3G UK Ltd	071-075 and 077-079	05/04/2005
7988 9	Hutchison 3G UK Ltd	071-075 and 077-079	05/04/2005
7989 0	EE Limited (Orange)	071-075 and 077-079	26/02/1999
7989 1	EE Limited (Orange)	071-075 and 077-079	26/02/1999
7989 2	EE Limited (Orange)	071-075 and 077-079	26/02/1999
7989 3	EE Limited (Orange)	071-075 and 077-079	26/02/1999
7989 4	EE Limited (Orange)	071-075 and 077-079	26/02/1999
7989 5	EE Limited (Orange)	071-075 and 077-079	26/02/1999
7989 6	EE Limited (Orange)	071-075 and 077-079	26/02/1999
7989 7	EE Limited (Orange)	071-075 and 077-079	26/02/1999

Number Block	CP Name	Number Block Type	Allocation Date
7989 8	EE Limited (Orange)	071-075 and 077-079	26/02/1999
7989 9	EE Limited (Orange)	071-075 and 077-079	26/02/1999
7990 0	Vodafone Limited	071-075 and 077-079	15/01/1999
7990 1	Vodafone Limited	071-075 and 077-079	15/01/1999
7990 2	Vodafone Limited	071-075 and 077-079	15/01/1999
7990 3	Vodafone Limited	071-075 and 077-079	15/01/1999
7990 4	Vodafone Limited	071-075 and 077-079	15/01/1999
7990 5	Vodafone Limited	071-075 and 077-079	15/01/1999
7990 6	Vodafone Limited	071-075 and 077-079	15/01/1999
7990 7	Vodafone Limited	071-075 and 077-079	15/01/1999
7990 8	Vodafone Limited	071-075 and 077-079	15/01/1999
7990 9	Vodafone Limited	071-075 and 077-079	15/01/1999
7999 0	Telefonica UK Limited	071-075 and 077-079	12/07/2005
7999 1	Telefonica UK Limited	071-075 and 077-079	12/07/2005
7999 2	Telefonica UK Limited	071-075 and 077-079	12/07/2005
7999 3	Telefonica UK Limited	071-075 and 077-079	12/07/2005
7999 4	Telefonica UK Limited	071-075 and 077-079	12/07/2005
7999 5	Telefonica UK Limited	071-075 and 077-079	12/07/2005
7999 6	Telefonica UK Limited	071-075 and 077-079	12/07/2005
7999 7	Telefonica UK Limited	071-075 and 077-079	12/07/2005
7999 8	Telefonica UK Limited	071-075 and 077-079	12/07/2005
7999 9	Telefonica UK Limited	071-075 and 077-079	12/07/2005

Contact:

Office of Communications - Ofcom
Riverside House
2a Southwark Bridge Road
LONDON SE1 9HA
United Kingdom
Tel: +44 2079813000
Fax: +44 2079813990
E-mail: numbering@ofcom.org.uk
URL: www.ofcom.org.uk

Service Restrictions

See URL: www.itu.int/pub/T-SP-SR.1-2012

<i>Country/geographical area</i>	<i>OB</i>
Seychelles	1006 (p.13)
Slovakia	1007 (p.12)
Malaysia	1013 (p.5)
Thailand	1034 (p.5)
São Tomé and Príncipe	1039 (p.14)
Uruguay	1039 (p.14)
Hong Kong, China	1068 (p.4)
Ukraine	1148 (p.5)

Call-Back and alternative calling procedures (Res. 21 Rev. PP-06)

See URL: www.itu.int/pub/T-SP-PP.RES.21-2011/

AMENDMENTS TO SERVICE PUBLICATIONS

Abbreviations used

ADD	Insert	PAR	Paragraph
COL	Column	REP	Replace
LIR	Read	SUP	Delete
P	Page(s)		

Mobile Network Codes (MNC) for the international identification plan for public networks and subscriptions (According to Recommendation ITU-T E.212 (09/2016)) (Position on 15 December 2018)

(Annex to ITU Operational Bulletin No. 1162 - 15.XII.2018)
(Amendment No. 79)

<i>Country/Geographical area</i>	<i>MCC+MNC</i>	<i>Operator/Network</i>
Estonia ADD		
	248 28	Nord Connect OÜ
Hungary LIR		
	216 01	Yettel Hungary Ltd.
North Macedonia ADD		
	294 12	MTEL DOOEL Skopje
United Kingdom SUP		
	234 05	COLT Mobile Telecommunications Limited
	234 06	Internet Computer Bureau Limited
	234 07	Vodafone Ltd (C&W)
	234 17	FlexTel Limited
	234 59	Limitless Mobile Ltd
	234 70	AMSUK Limited
	235 92	Vodafone Ltd (C&W)
United Kingdom ADD		
	234 40	Mass Response Service GmbH
	234 72	Hanhaa Limited
	234 73	BlueWave Communications
	234 74	Pareteum Europe B.V.
	234 77	Vodafone Limited
	234 88	Telet Research (N.I.) Limited
	235 04	University Of Strathclyde
	235 06	University Of Strathclyde
	235 07	University Of Strathclyde
	235 08	Spitfire Network Services Limited
235 88	Telet Research (N.I.) Limited	

Country/Geographical area	MCC+MNC	Operator/Network
United Kingdom LIR	234 01	Vectone Mobile Limited
	234 14	LINK MOBILITY UK LTD
	234 15	Vodafone Limited
	234 19	TeleWare Group PLC
	234 27	Tata Communications Move UK Ltd
	234 29	(AQ) LIMITED
	234 33	EE Limited (Orange)
	234 34	EE Limited (Orange)
	234 50	JT (Jersey) Limited
	234 53	Tango Networks UK Ltd
	234 56	The National Cyber Security Centre
	234 58	MANX TELECOM TRADING LIMITED
	235 00	Vectone Mobile Limited
	235 91	Vodafone Limited
Trial of a proposed new international telecommunication service, shared code SUP*		
	991 02	Orange (end of temporary assignment for trial on 7.VIII.2022)

MCC: Mobile Country Code / Indicatif de pays du mobile / Indicativo de país para el servicio móvil
MNC: Mobile Network Code / Code de réseau mobile / Indicativo de red para el servicio móvil

* See page 5 of the present Operational Bulletin No. 1251 of 1.IX.2022.

List of ITU Carrier Codes
(According to Recommendation ITU-T M.1400 (03/2013))
(Position on 15 September 2014)

(Annex to ITU Operational Bulletin No. 1060 – 15.IX.2014)
(Amendment No. 137)

<i>Country or area/ISO code</i>	<i>Company Code</i>	<i>Contact</i>
<i>Company Name/Address</i>	<i>(carrier code)</i>	
Germany (Federal Republic of) / DEU	ADD	
ONENEO GmbH Bulk-Account Am Alten Gericht 25 D-95131 SCHWARZENBACH A. WALD	FL1NEO	Mr Martin Pister Tel.: +49 9289 8575 471 Email: martin.pister@oneneo.de
RigiNet GmbH Hauptstrasse 116 D-82380 PEISSENBERG	RIGI	Mr Thomas Schill Fax: +49 8803 690218 Tel.: +49 8803 690250 Email: thomas.schill@peissenberg.de
Carolin Schuetz & Joerg Reiss GbR TryCommunications Am Lehmberg 11 + 13 D-21224 ROSENGARTEN	TRYCOM	Mr Joerg Reiss Tel.: +49 4108 590230 Fax: +49 4108 590231 Email: jr@try-com.de

List of International Signalling Point Codes (ISPC) (According to Recommendation ITU-T Q.708 (03/1999)) (Position on 1 July 2020)

(Annex to ITU Operational Bulletin No. 1199 – 1.VII.2020)
(Amendment No. 41)

<i>Country/ Geographical Area</i>	<i>ISPC</i>	<i>DEC</i>	<i>Unique name of the signalling point</i>	<i>Name of the signalling point operator</i>
Hungary ADD				
	2-032-4	4356	TBAL Yettel MSS10, INT1	Yettel Hungary Ltd.
	2-212-4	5796	SZFV Yettel MSS20, INT2	Yettel Hungary Ltd.
Hungary LIR				
	2-032-0	4352	Pannon INT2	Yettel Hungary Ltd.
	2-212-6	5798	Pannon INT1	Yettel Hungary Ltd.
North Macedonia ADD				
	5-221-0	12008	Skopje-Madzari	MTEL DOOEL Skopje
Switzerland ADD				
	2-062-3	4595	Zürich4	Datatrade Managed AG
	2-063-3	4603	Zürich5	Intellico AG
United Kingdom SUP				
	2-167-0	5432	BMSTP	SKD 4 Limited
	2-174-7	5495	IRT8	Wavecrest (UK) Ltd
	2-176-4	5508	UK2	SKD 4 Limited
	2-178-7	5527	IRT7	Wavecrest (UK) Ltd
	2-185-4	5580	UKLHCO5-Mercur	Wavecrest (UK) Ltd
	4-229-0	10024	London 1	Limitless Mobile Ltd
	5-226-3	12051	Cisco STP	Limitless Mobile Ltd
	6-252-4	14308	Global Switch	Cheers International Sales Limited
	7-253-5	16365	London	Modus Telecom Ltd
United Kingdom ADD				
	2-188-2	5602	RAN1	BlueWave Communications
	2-190-2	5618	TEUM-INT-STP-1	Pareteum Europe B.V.
	2-210-4	5780	TEUM-INT-STP-2	Pareteum Europe B.V.
	2-211-2	5786	RAN1	BlueWave Communications
	3-230-6	7990	LEBSTP3	LEBARA LIMITED
	3-235-0	8024	Slough Colo Site (SL02)	Hutchison 3G UK Ltd
	3-235-1	8025	London Telehouse North 2 Colo Site (LN03)	Hutchison 3G UK Ltd
	3-235-2	8026	London Powergate Colo (LN02)	Hutchison 3G UK Ltd
	3-235-3	8027	AMCSTP3	AEROMOBILE COMMUNICATIONS LIMITED
	3-235-4	8028	AMCSTP4	AEROMOBILE COMMUNICATIONS LIMITED
	3-235-5	8029	LEBSTP4	LEBARA LIMITED
	4-240-0	10112	HGCUKSTP5	HGC Global Communications (UK) Limited
	4-240-3	10115	HGCUKSTP6	HGC Global Communications (UK) Limited
	4-254-6	10230	Mobile App FW	Sky UK Limited

*Country/
Geographical Area*

<i>ISPC</i>	<i>DEC</i>	<i>Unique name of the signalling point</i>	<i>Name of the signalling point operator</i>
4-255-4	10236	Mobile App FW	Sky UK Limited
5-243-0	12184	ams-g-tchub-c01-n02	Annecto Telecom
5-243-1	12185	Mobile App FW	Sky UK Limited
5-248-2	12226	Mobile App FW	Sky UK Limited
6-242-2	14226	Mobile App FW	Sky UK Limited
6-242-5	14229	Mobile App FW	Sky UK Limited
6-254-0	14320	STP-1 Volta	BRINGO GROUP LTD
6-254-1	14321	STP-2 Volta	BRINGO GROUP LTD
7-224-3	16131	atl-uk01-stp-01	Annecto Telecom
7-234-0	16208	Stour Marine 3	Stour Marine Limited
7-237-1	16233	Alaris_002	Protel S.A.L offshore
United Kingdom LIR			
2-154-5	5333	Slough VOIP1	Lumen Technologies UK Limited
2-154-6	5334	Docklands VOIP 1	Lumen Technologies UK Limited
2-155-4	5340	GC Slough 1	Lumen Technologies UK Limited
2-165-0	5416	GC Birmingham	Lumen Technologies UK Limited
2-165-3	5419	London 2	OPTIFY MEDIAFORCE LIMITED
2-166-1	5425	Slough	Lumen Technologies UK Limited
2-166-4	5428	HTUKSMS1	HGC Global Communications (UK) Limited
2-169-0	5448	HTUKSMS2	HGC Global Communications (UK) Limited
2-175-6	5502	Switch 1 - Goswell1	Lumen Technologies UK Limited
2-178-5	5525	Paul Street DMS	Lumen Technologies UK Limited
2-179-1	5529		CenturyLink Communications UK Limited
2-191-3	5627	Switch 2 – Goswell 2	Lumen Technologies UK Limited
2-191-4	5628	ipLCR Leman	Lumen Technologies UK Limited
2-210-5	5781	ipLCR Poplar	Lumen Technologies UK Limited
4-240-6	10118	Switch 3 – Docklands 2	Lumen Technologies UK Limited
5-226-1	12049	UKSTP01	HGC Global Communications (UK) Limited
5-226-2	12050	UKSTP02	HGC Global Communications (UK) Limited
6-252-7	14311	LONDON1	OPTIFY MEDIAFORCE LIMITED
6-254-2	14322	UKVZ02	HGC Global Communications (UK) Limited
United States SUP			
3-191-6	7678	Los Angeles, CA	ComNet (USA) LLC
3-193-4	7692	Los Angeles, CA	ComNet (USA) LLC
United States ADD			
3-033-3	6411	Ashburn, VA	GENESIS INTERNATIONAL TELECOM LLC dba Gensitel
3-033-4	6412	Ashburn, VA (2)	GENESIS INTERNATIONAL TELECOM LLC dba Gensitel

ISPC: International Signalling Point Codes.
Codes de points sémaphores internationaux (CPSI).
Códigos de puntos de señalización internacional (CPSI).

National Numbering Plan (According to Recommendation ITU-T E.129 (01/2013))

Web: www.itu.int/itu-t/inr/nnp/index.html

Administrations are requested to notify ITU about their national numbering plan changes, or to give an explanation on their webpage concerning the national numbering plan as well as their contact points, so that the information, which will be made available freely to all administrations/ROAs and service providers, can be posted on the ITU-T website.

For their numbering website, or when sending their information to ITU/TSB (e-mail: tsbtson@itu.int), administrations are kindly requested to use the format as explained in Recommendation ITU-T E.129. They are reminded that they will be responsible for the timely update of this information.

From 1.VIII.2022, the following countries/geographical areas have updated their national numbering plan on our site:

<i>Country/ Geographical area</i>	<i>Country Code (CC)</i>
Burkina Faso	+226



INTERNATIONAL TELECOMMUNICATION UNION

**BR
RADIOCOMMUNICATION BUREAU
OF ITU**

**STATUS OF RADIOCOMMUNICATIONS BETWEEN
AMATEUR STATIONS OF DIFFERENT COUNTRIES
(In accordance with optional provision No. 25.1 of the
Radio Regulations)**

AND

**FORM OF CALL SIGNS ASSIGNED BY EACH
ADMINISTRATION TO ITS AMATEUR AND
EXPERIMENTAL STATIONS**

(POSITION ON 1 SEPTEMBER 2022)

Note from the BR

In the Circular Letter CR/486 of 16 May 2022, the Radiocommunication Bureau requested administrations to advise the Union on their current position with respect to provision No. 25.1 of the Radio Regulations, concerning radiocommunications between stations of their Amateur Service and Amateur-Satellite Service and those of different countries. The Circular Letter also stated that in cases where no information was received from an administration, it shall be assumed that the concerned administration has no objection to such radiocommunications.

In the same Circular Letter, administrations were requested further to advise the Bureau of the form of call signs they assigned their amateur and experimental stations.

This Annex to the Operational Bulletin No. 1251 dated 1 September 2022 cancels and supersedes the previous Annex to the Operational Bulletin No. 1154 dated 15 August 2018. The Annex takes into account information received from administrations with respect to provision No. 25.1 of the Radio Regulations. As it concerns the form of call signs assigned to amateur and experimental stations, where no new information has been received from an administration, information currently held in the relevant registries of the Bureau is reproduced.

This Annex will be updated by numbered series of amendments published in the ITU Operational Bulletin. Furthermore, the information contained in this Annex is also available on the ITU home page <http://www.itu.int/pub/T-SP/e> and can be consulted by subscribers by remote access.

Administrations are requested to check the accuracy of the information published herein and to inform the Union of any discrepancies. Changes to the information provided should be notified to the Bureau as soon as possible.

International Telecommunication Union
The Director of the Radiocommunication Bureau
Place des Nations
1211 GENEVA 20
Switzerland
Tel: + 41 22 730 5800
Fax: + 41 22 730 5785
E-mail: brmail@itu.int

Nothing in the manner of presentation of information in this Annex or in the arrangement of data implies endorsement or acceptance by ITU in matters affecting the status and boundaries of States and territories.

RADIOCOMMUNICATIONS BETWEEN AMATEUR STATIONS (RR 25.1)

Administration of the country or geographical area	BETWEEN STATIONS OF DIFFERENT COUNTRIES		Remarks and restrictions imposed	Form of call signs
	Permitted	Forbidden		Pages
1	2	3	4	5
Afghanistan	x		1)	
Alaska (State of).....	x		1)	43
Albania (Republic of).....	x		1)	
Algeria (People's Democratic Republic of)	x		1)	11
American Samoa.....	x		1)	43
Andorra (Principality of).....	x		1)	
Angola (Republic of).....	x		1)	
Anguilla	x		1)	42
Antigua and Barbuda	x		1)	
Argentine Republic.....	x		1)	11
Armenia (Republic of)	x		1)	
Aruba	x		1)	11
Ascension Island.....	x		1)	42
Australia	x			11-12
Austria.....	x		1)	12
Azerbaijan (Republic of).....	x		1)	
Azores.....	x		1)	35-36
Bahamas (Commonwealth of the).....	x		1)	12
Bahrain (Kingdom of)	x		1)	12-13
Bangladesh (People's Republic of)	x		1)	
Barbados.....	x		1)	13
Belarus (Republic of).....	x			13
Belgium	x		1)	13-14
Belize	x		1)	14
Benin (Republic of).....	x		1)	14
Bermuda	x		1)	42
Bhutan (Kingdom of)	x		1)	14
Bolivia (Plurinational State of)	x		1)	14
Bonaire, Sint Eustatius and Saba.....	x		1)	14
Bosnia and Herzegovina	x		1)	
Botswana (Republic of)	x		1)	15

1	2	3	4	5
Bouvet Island	x		1)	33
Brazil (Federative Republic of)	x		1)	15-16
British Virgin Islands.....	x		1)	42
Brunei Darussalam.....	x		1)	16
Bulgaria (Republic of).....	x		1)	16
Burkina Faso	x		1)	16
Burundi (Republic of)	x		1)	16
Cabo Verde (Republic of).....	x		1)	16
Cambodia (Kingdom of)	x		1)	
Cameroon (Republic of)	x		1)	16
Canada	x		1)	16-17
Canary Islands	x		1)	39
Cayman Islands	x		1)	42
Central African Republic	x		1)	17
Chad (Republic of)	x		1)	17
Chagos Islands (Indian Ocean).....	x		1)	42
Chile.....	x		1)	17
China (People's Republic of).....	x		1)	
Christmas Island (Indian Ocean).....	x			11-12
Clipperton Island	x		1)	21
Cocos (Keeling) Islands	x			11-12
Colombia (Republic of).....	x		1)	17
Comoros (Union of the).....	x		1)	18
Congo (Republic of the)	x		1)	18
Cook Islands	x		1)	18
Costa Rica	x		1)	18
Côte d'Ivoire (Republic of).....	x		1)	18
Croatia (Republic of)	x		1)	18
Crozet Archipelago.....	x		1)	21
Cuba	x		1)	18
Curaçao	x		1)	18
Cyprus (Republic of)	x		1)	18
Czech Republic.....	x		1)	19
Democratic People's Republic of Korea ..		x	1)	
Democratic Republic of the Congo.....	x		1)	
Denmark	x		1)	19
Diego Garcia	x		1)	42
Djibouti (Republic of).....	x		1)	19
Dominica (Commonwealth of).....	x		1)	19
Dominican Republic	x		1)	19

1	2	3	4	5
Easter Island	x		1)	17
Ecuador.....	x		1)	19-20
Egypt (Arab Republic of)	x		1)	20
El Salvador (Republic of)	x		1)	20
Equatorial Guinea (Republic of)	x		1)	
Eritrea		x	1)	
Estonia (Republic of).....	x		1)	20
Eswatini (Kingdom of)	x		1)	21
Ethiopia (Federal Democratic Republic of)	x		1)	21
Falkland Islands (Malvinas).....	x		1)	42
Faroe Islands	x		1)	19
Fiji (Republic of)	x		1)	21
Finland	x		1)	21
France.....	x		1)	21
French Polynesia	x		1)	21
Gabonese Republic.....	x		1)	21
Gambia (Republic of the)	x		1)	21
Georgia	x		1)	21
Germany (Federal Republic of)	x			22
Ghana	x		1)	23
Gibraltar	x		1)	42
Greece	x		1)	23
Greenland	x		1)	19
Grenada	x		1)	
Guadeloupe (French Department of)	x		1)	21
Guam	x		1)	43
Guatemala (Republic of)	x		1)	23
Guiana (French Department of)	x		1)	21
Guinea (Republic of)	x		1)	23
Guinea-Bissau (Republic of)	x		1)	23
Guyana	x		1)	24
Haiti (Republic of).....	x		1)	24
Hawaii (State of).....	x		1)	43
Heard and McDonald Islands.....	x			11-12
Honduras (Republic of)	x		1)	24
Hong Kong (Special Administrative Region of China).....	x		1)	
Howland Island.....	x		1)	43
Hungary	x		1)	24
Iceland	x		1)	24
India (Republic of)	x		1)	24

1	2	3	4	5
Indonesia (Republic of)	x		1)	24
Iran (Islamic Republic of)	x		1)	25
Iraq (Republic of).....	x		1)	25
Ireland	x		1)	25
Israel (State of).....	x		1)	25
Italy	x		1)	25-26
Jamaica.....	x		1)	26
Japan	x		1)	26
Jarvis Island	x		1)	43
Johnston Island	x		1)	43
Jordan (Hashemite Kingdom of).....	x		1)	26
Kazakhstan (Republic of)	x		1)	
Kenya (Republic of).....	x		1)	26
Kerguelen Islands	x		1)	21
Kiribati (Republic of).....	x		1)	27
Korea (Republic of)	x		1)	27
Kuwait (State of).....	x		1)	27
Kyrgyz Republic	x		1)	27
Lao People's Democratic Republic	x		1)	27
Latvia (Republic of)	x		1)	27
Lebanon	x		Except Israel	27
Lesotho (Kingdom of).....	x		1)	27
Liberia (Republic of)	x		1)	
Libya	x		1)	28
Liechtenstein (Principality of)	x		1)	28
Lithuania (Republic of)	x		1)	28
Luxembourg	x		1)	28
Macao (Special Administrative Region of China).....	x		1)	
Madagascar (Republic of)	x		1)	28
Madeira	x		1)	35-36
Malawi	x		1)	28
Malaysia	x		1)	29
Maldives (Republic of).....	x		1)	29
Mali (Republic of)	x		1)	
Malta	x		1)	29
Marion Island.....	x		1)	39
Marshall Islands (Republic of the)	x		1)	
Martinique (French Department of)	x		1)	21
Mauritania (Islamic Republic of)	x		1)	29
Mauritius (Republic of)	x		1)	29

1	2	3	4	5
Mayotte (Territorial Collectivity of).....	x		1)	21
Mexico.....	x		1)	30
Micronesia (Federated States of).....	x		1)	30
Midway Islands.....	x		1)	43
Moldova (Republic of).....	x		1)	30-31
Monaco (Principality of).....	x		1)	31
Mongolia.....	x		1)	
Montenegro.....	x		1)	
Montserrat.....	x		1)	42
Morocco (Kingdom of).....	x		1)	31
Mozambique (Republic of).....	x		1)	31
Myanmar (Union of).....	x		1)	31
Namibia (Republic of).....	x		1)	31
Nauru (Republic of).....	x		1)	31
Nepal (Federal Democratic Republic of) .	x		1)	31
Netherlands (Kingdom of the).....	x		1)	31
New Caledonia.....	x		1)	21
New Zealand.....	x		1)	32
Nicaragua.....	x		1)	32
Niger (Republic of the).....	x		1)	33
Nigeria (Federal Republic of).....	x		1)	33
Niue.....	x		1)	33
Norfolk Island.....	x			11-12
Northern Mariana Island (Commonwealth of the).....	x		1)	43
North Macedonia.....	x		1)	
Norway.....	x		1)	33
Oman (Sultanate of).....	x		1)	33
Pakistan (Islamic Republic of).....	x		1)	33
Palau (Republic of).....	x		1)	
Palmyra Island.....	x		1)	43
Panama (Republic of).....	x		1)	
Papua New Guinea.....	x		1)	34
Paraguay (Republic of).....	x		1)	34
Peru.....	x		1)	34
Philippines (Republic of the).....	x		1)	34
Phoenix Islands.....	x		1)	27
Pitcairn Island.....	x		1)	42
Poland (Republic of).....	x		1)	34-35
Portugal.....	x		1)	35-36
Puerto Rico.....	x		1)	43
Qatar (State of).....	x		1)	36

1	2	3	4	5
Republic of Türkiye	x		1)	36
Reunion (French Department of).....	x		1)	21
Rodrigues.....	x		1)	29
Romania.....	x		1)	36
Russian Federation	x		1)	36-37
Rwanda (Republic of).....	x		1)	37
Saint Barthélemy (French Department of)	x		1)	21
Saint Helena	x		1)	42
Saint Kitts and Nevis (Federation of).....	x		1)	
Saint Lucia	x		1)	
Saint Martin (French Department of)	x		1)	21
Saint Paul and Amsterdam Islands	x		1)	21
Saint Pierre and Miquelon (Territorial Collectivity of)	x		1)	21
Saint Vincent and the Grenadines.....	x		1)	
Samoa (Independent State of)	x		1)	37
San Marino (Republic of)	x		1)	37
Sao Tome and Principe (Democratic Republic of)	x		1)	37
Saudi Arabia (Kingdom of)	x		1)	37
Senegal (Republic of).....	x		1)	38
Serbia (Republic of)	x		1)	
Seychelles (Republic of)	x		1)	38
Sierra Leone	x		1)	38
Singapore (Republic of)	x		1)	38
Sint Maarten (Dutch part)	x		1)	38
Slovak Republic	x		1)	38
Slovenia (Republic of)	x		1)	38
Solomon Islands.....	x		1)	38
Somalia (Federal Republic of).....	x		1)	
South Africa (Republic of)	x		1)	39
South Soudan (Republic of)	x		1)	
Spain.....	x		1)	39
Sri Lanka (Democratic Socialist Republic of)	x		1)	39
Sudan (Republic of the)	x		1)	
Suriname (Republic of)	x		1)	39
Swan Islands.....	x		1)	24
Sweden	x		1)	39
Switzerland (Confederation of).....	x		1)	40
Syrian Arab Republic	x		Except Israel	40
Tajikistan (Republic of).....	x		1)	

1	2	3	4	5
Tanzania (United Republic of).....	x		1)	40
Thailand	x		1)	40
Timor-Leste (Democratic Republic of).....	x		1)	
Togolese Republic	x		1)	
Tokelau	x		1)	32
Tonga (Kingdom of)	x		1)	40
Trinidad and Tobago	x		1)	40
Tristan da Cunha.....	x		1)	42
Tunisia	x		1)	41
Turkmenistan	x		1)	
Turks and Caicos Islands.....	x		1)	42
Tuvalu	x		1)	41
Uganda (Republic of)	x		1)	41
Ukraine.....	x		1)	41
United Arab Emirates	x		1)	41
United Kingdom of Great Britain and Northern Ireland.....	x		1)	41-42
United States of America	x		1)	43
United States Virgin Islands	x		1)	43
Uruguay (Eastern Republic of).....	x		1)	43
Uzbekistan (Republic of)	x		1)	
Vanuatu (Republic of)	x		1)	43
Vatican City State.....	x		1)	43
Venezuela (Bolivarian Republic of)	x		1)	43
Viet Nam (Socialist Republic of).....	x		Except between amateur-satellite service stations	43
Wake Island	x		1)	43
Wallis and Futuna Islands	x		1)	21
Yemen (Republic of)	x		1)	
Zambia (Republic of).....	x		1)	43
Zimbabwe (Republic of)	x		1)	43

1) This administration has not explicitly given its position. In terms of the consultation procedure, it is assumed that this administration has no objections to radiocommunications between amateur stations of its country and stations of other countries (see Circular Letter CR/486 of 16 May 2022).

**FORM OF CALL SIGNS ASSIGNED BY EACH ADMINISTRATION
TO ITS AMATEUR AND EXPERIMENTAL STATIONS**

Algeria (People's Democratic Republic of)

Amateur stations: 7X0, 7X2, 7X3, 7X4 and 7X5 followed by 2 or 3 letters

Experimental stations: 7X6 and 7X7 followed by 2 or 3 letters

Argentine Republic

Amateur stations: AY, AZ, LU, LW followed by a digit (0-9) and by 2 or 3 letters, the first indicating the province in which the station is situated

Letters indicating the provinces:

A-B and C	– Federal Capital
D-E	– Province of Buenos Aires
F	– Province of Santa Fé
GA–GOZ	– Province of Chaco
GP–GZZ	– Province of Formosa
H	– Province of Córdoba
I	– Province of Misiones
J	– Province of Entre Ríos
K	– Province of Tucumán
L	– Province of Corrientes
M	– Province of Mendoza
N	– Province of Santiago del Estero
O	– Province of Salta
P	– Province of San Juan
Q	– Province of San Luis
R	– Province of Catamarca
S	– Province of La Rioja
T	– Province of Jujuy
U	– Province of La Pampa
V	– Province of Rio Negro
W	– Province of Chubut
XA–XOZ	– Province of Santa Cruz
XP–XZZ	– Province of Tierra del Fuego, Antarctic and Islands of South Atlantic
Y	– Neuquén
Z	– Antarctic

Note: The beginners have to use the prefix AZ.

Aruba

Amateur stations: P43 or P49 followed by a group of not more than 3 letters

- Notes:**
- i) Foreign amateurs will use the call sign assigned to them by their administration followed by a stroke (/) and then P4 for a duration of one year.
 - ii) The prefix P40 or P41 followed by a group of not more than 3 letters is assigned during special events for not more than one month.

Australia

Amateur stations: VK, AX* or VI* followed by a digit (indicating the state or territory in which the station is situated) and by 2, 3 or 4 letters.

For call signs with suffixes of 3 or 4 letters, the first letter indicates the licence category.

(See cont.)

Australia (continued)

“Advanced” amateur stations are indicated by call signs with suffixes of 2 letters and suffixes of 3 letters where the first letter is A, B, C, D, E, F, G, I, J, K, S, T, U, W, X, Y or Z.

“Standard” amateur stations are indicated by call signs with suffixes of 3 letters where the first letter is H, L, M, N, P or V.

“Foundation” amateur stations are indicated by call signs with suffixes of 4 letters where the first letter is F.

* For occasions of special national or state/local significance.

Experimental stations: AX followed by a digit (2-9) and by 3 letters, the first one indicating the state or territory in which the station is situated.

Station	State or territory									
	Australian Capital Territory	New South Wales	Victoria	Queensland	South Australia	Western Australia	Tasmania	Northern Territory	Australian External Territories	Antarctic
Amateur	1	2	3	4	5	6	7	8	9	–
Experimental	A	N	V	Q	S	W	T	D	–	–

Austria

Amateur stations: OE followed by a digit (1-9, indicating the province or the area in which the station is situated) and by 2, 3 or 4 letters

Only 1 letter indicating contest stations, limited and temporarily licensed, explicit for club stations.

Suffix first letter: “X” indicating beacon, relays and club stations; “Q” is not possible

Experimental stations: OE followed by a digit (2-9, indicating the province in which the station is situated) and by 2 letters (QA-QZ)

Digits indicating the provinces or areas:

- 1 – Vienna (amateur stations only)
- 2 – Salzburg
- 3 – Vienna (experimental stations only)
- 4 – Burgenland
- 5 – Upper Austria
- 6 – Styria
- 7 – Tyrol
- 8 – Carinthia
- 9 – Vorarlberg
- 0 – extraterritorial

Accordingly added letters to the end of the call sign:

- / M – mobile operation
- / P – portable operation
- / MM – on board ships
- / AM – on board aircrafts

Bahamas (Commonwealth of the)

Amateur stations and experimental stations: C62AA-C69ZZ

Bahrain (Kingdom of)

Amateur stations: A9 followed by a digit (0 to 9) followed by 2, 3 or 4 characters, the last of which shall be a letter.

(See cont.)

Bahrain (Kingdom of) (continued)

Prefix	Digit	Suffix
A9	0-9	Up to 4 characters, the last of which shall be a letter

Barbados

Amateur stations: 8P6AA-8P6ZZ*
8P9AA-8P9ZZ**

* For national radio amateurs.

** For foreign radio amateurs, visitors and short-term licence holders.

Belarus (Republic of)

Amateur stations: EU, EV, or EW, followed by a digit (1-4, 6-8 indicating the city or region (oblast) where the station is located) and one, two or three letters.

Numbers indicating city or region:

1. City of Minsk
2. Minsk Region
3. Brest Region
4. Grodno Region
5. Vitebsk Region
6. Mogilev Region
7. Gomel Region

Call sign containing:

- 4 characters – class A (operator with CEPT licence, HAREC certificate)
- 5 characters – class A and class B (operator with CEPT licence, HAREC certificate)
- 6 characters – class C (operator with novice licence, ARNEC certificate)
- 5 characters – the fourth symbol is W, X, Z for club stations

Experimental stations:

- EU1A00R-EU8Z99R (except EU5A00R-EU5Z99R) – repeaters
- EU1A00B-EU8Z99B (except EU5A00B-EU5Z99B) – radiobeacons
- EU10S-EU89S – satellites
- EV0AA-EV9ZZ – for stations operating in radio contests
- EV10ISS-EV89ISS – for expeditions to space-based facilities
- EV0ANA-EV0ANZ – for stations operating in the Antarctic
- EV0A-EV9999Z – for stations operating on days of special national and international events

EU5, EV5, EW5 followed by one letter – only for participants in international SW and USW radio communication competitions (up to one year).

Note: Foreign radio amateurs with a licence must use EW followed by slash (/) and their own call sign.

Belgium

Amateur stations	
ON0AA-ON0ZZ ON0AAA-ON0ZZZ	Automatic stations
ON1AA-ON1ZZ ON1AAA-ON1ZZZ	Class 2 stations
ON2AA-ON2ZZ ON2AAA-ON2ZZZ	Currently not in use
ON3AA-ON3ZZ ON3AAA-ON3ZZZ	Class 3 stations
ON4AA-ON4ZZ ON4AAA-ON4ZZZ ON5AA-ON5ZZ ON5AAA-ON5ZZZ ON6AA-ON6ZZ ON6AAA-ON6ZZZ ON7AA-ON7ZZ ON7AAA-ON7ZZZ ON8AA-ON8ZZ ON8AAA-ON8ZZZ	Class 1 stations

ON9AAA-ON9AZZ	Class 3 stations for foreigners
ON9BAA-ON9BZZ	Class 2 stations for foreigners
ON9CAA-ON9CZZ	Class 1 stations for foreigners
OP0LE and OP0OL	Club stations in Antarctica
OR3AA-OR3ZZ OR3AAA-OR3ZZZ	Temporary class 3 stations in Antarctica
OR4AA-OR4ZZ OR4AAA-OR4ZZZ	Temporary class 1 stations in Antarctica
OR4ISS	On board ISS
OO0A-OO9Z OP0A-OP9Z OQ0A-OQ9Z OR0A-OR4Z OR6A-OR9Z OS0A-OS9Z OT0A-OT4Z OT6A-OT9Z	Supplementary call signs for class 1 stations
OR5A-OR5Z OT5A-OT5Z	Stations for high power contests

Belize

Amateur stations: V31AA-V31ZZ – Class 1 licence
V32AA-V32ZZ – Class 2 licence

Benin (Republic of)

Amateur stations: TY followed by a digit (1-9) and by 2 letters

Bhutan (Kingdom of)

Amateur stations: A50AA-A50ZZ*
A51AA-A51ZZ**
A52AA-A52ZZ***

* For amateur clubs and stations.

** For national radio amateurs.

*** For visiting radio amateurs.

Bolivia (Plurinational State of)

Amateur stations: CP1AA-CP9ZZ

Digits indicating the departments:

- 1 – La Paz
- 2 – Chuquisaca
- 3 – Oruro
- 4 – Potosí
- 5 – Cochabamba
- 6 – Santa Cruz
- 7 – Tarija
- 8 – Beni
- 9 – Pando

The call sign may be followed by the letters “M”, “MA”, “MF”, “MM”, “S” or “C” in the following cases:

M: for mobile earth stations,
MA: for mobile aeronautical stations,
MF: for mobile river stations,
MM: for mobile maritime stations,
S: for second category stations,
C: for stations operating on a temporary basis.

Bonaire, Sint Eustatius and Saba

Amateur stations: PJ4AA-PJ4ZZZ – Bonaire
PJ5AA-PJ5ZZZ – S. Eustatius
PJ6AA-PJ6ZZZ – Saba

Botswana (Republic of)

Amateur stations:

A22AA-A22ZZ

Brazil (Federative Republic of)

Amateur Stations			
State	Classes A and B		Class C
Acre	PT8AA-PT8ZZ	PT8AAA-PT8ZZZ	PU8JAA-PU8LZZ
	*ZZ8HA-ZZ8MZ	ZZ8HAA-ZZ8MZZ	
Alagoas	PP7AA-PP7ZZ	PP7AAA-PP7ZZZ	PU7AAA-PU7DZZ
	*ZZ7AA-ZZ7ZZ	ZZ7AAA-ZZ7ZZZ	
Amapá	PQ8AA-PQ8ZZ	PQ8AAA-PQ8YZZ	PU8GAA-PU8IZZ
	*ZV8AA-ZV8ZZ	ZV8AAA-ZV8YZZ	
Amazonas	PP8AA-PP8ZZ	PP8AAA-PP8YZZ	PU8AAA-PU8CZZ
	*ZZ8AA-ZZ8GZ	ZZ8AAA-ZZ8GZZ	
Bahia	PY6AA-PY6ZZ	PY6AAA-PY6YZZ	PU6JAA-PU6YZZ
	*ZY6AA-ZY6ZZ	ZY6AAA-ZY6YZZ	
Ceará	PT7AA-PT7ZZ	PT7AAA-PT7YZZ	PU7MAA-PU7PZZ
	*ZV7AA-ZV7ZZ	ZV7AAA-ZV7YZZ	
Distrito Federal	PT2AA-PT2ZZ	PT2AAA-PT2YZZ	PU2AAA-PU2EZZ
	*ZV2AA-ZV2ZZ	ZV2AAA-ZV2YZZ	
Espírito Santo	PPIAA-PPIZZ	PP1AAA-PP1YZZ	PU1AAA-PU1IZZ
	*ZZ1AA-ZZ1ZZ	ZZ1AAA-ZZ1YZZ	
Goiás	PP2AA-PP2ZZ	PP2AAA-PP2YZZ	PU2FAA-PU2HZZ
	*ZZ2AA-ZZ2ZZ	ZZ2AAA-ZZ2YZZ	
Maranhão	PR8AA-PR8ZZ	PR8AAA-PR8YZZ	PU8MAA-PU8OZZ
	*ZX8AA-ZX8ZZ	ZX8AAA-ZX8YZZ	
Mato Grosso	PY9AA-PY9ZZ	PY9AAA-PY9YZZ	PU9OAA-PU9YZZ
	*ZY9AA-ZY9ZZ	ZY9AAA-ZY9YZZ	
Mato Grosso do Sul	PT9AA-PT9ZZ	PT9AAA-PT9YZZ	PU9AAA-PU9NZZ
	*ZV9AA-ZV9ZZ	ZV9AAA-ZV9YZZ	
Minas Gerais	PY4AA-PY4ZZ	PY4AAA-PY4YZZ	PU4AAA-PU4YZZ
	*ZY4AA-ZY4ZZ	ZY4AAA-ZY4YZZ	
Pará	PY8AA-PY8ZZ	PY8AAA-PY8YZZ	PU8WAA-PU8YZZ
	*ZY8AA-ZY8ZZ	ZY8AAA-ZY8YZZ	
Paraíba	PR7AA-PR7ZZ	PR7AAA-PR7YZZ	PU7EAA-PU7HZZ
	*ZX7AA-ZX7ZZ	ZX7AAA-ZX7YZZ	
Paraná	PY5AA-PY5ZZ	PY5AAA-PY5YZZ	PU5MAA-PU5YZZ
	*ZY5AA-ZY5ZZ	ZY5AAA-ZY5YZZ	
Pernambuco	PY7AA-PY7ZZ	PY7AAA-PY7YZZ	PU7RAA-PU7YZZ
	*ZY7AA-ZY7ZZ	ZY7AAA-ZY7YZZ	
Piauí	PS8AA-PS8ZZ	PS8AAA-PS8YZZ	PU8PAA-PU8SZZ
	*ZW8AA-ZW8ZZ	ZW8AAA-ZW8YZZ	
Rio de Janeiro	PY1AA-PY1ZZ	PY1AAA-PY1YZZ	PUIJAA-PUIYZZ
	*ZY1AA-ZY1ZZ	ZY1AAA-ZY1YZZ	
Rio Grande do Norte	PS7AA-PS7ZZ	PS7AAA-PS7YZZ	PU7IAA-PU7LZZ
	*ZW7AA-ZW7ZZ	ZW7AAA-ZW7YZZ	
Rio Grande do Sul	PY3AA-PY3ZZ	PY3AAA-PY3YZZ	PU3AAA-PU3YZZ
	*ZY3AA-ZY3ZZ	ZY3AAA-ZY3YZZ	

Rondônia	PW8AA-PW8ZZ	PW8AAA-PW8YZZ	PU8DAA-PU8FZZ
	*ZZ8NA-ZZ8SZ	ZZ8NAA-ZZ8SZZ	
Roraima	PV8AA-PV8ZZ	PV8AAA-PV8YZZ	PU8TAA-PU8VZZ
	*ZZ8TA-ZZ8ZZ	ZZ8AAA-ZZ8YZZ	
Santa Catarina	PP5AA-PP5ZZ	PP5AAA-PP5YZZ	PU5AAA-PU5LZZ
	*ZZ5AA-ZZ5ZZ	ZZ5AAA-ZZ5YZZ	
São Paulo	PY2AA-PY2ZZ	PY2AAA-PY2YZZ	PU2KAA-PU2YZZ
	*ZY2AA-ZY2ZZ	ZY2AAA-ZY2YZZ	
Sergipe	PP6AA-PP6ZZ	PP6AAA-PP6YZZ	PU6AAA-PU6IZZ
	*ZZ6AA-ZZ6ZZ	ZZ6AAA-ZZ6YZZ	
Tocantins	PQ2AA-PQ2ZZ	PQ2AAA-PQ2YZZ	PU2IAA-PU2JZZ
	*ZX2AA-ZX2ZZ	ZX2AAA-ZX2YZZ	
Islas Marítimas	PY0AA-PY0ZZ	PY0AAA-PY0ZZZ	PU0AAA-PU0ZZZ
	*ZY0AA-ZY0ZZ	ZY0AAA-ZY0ZZZ	

* Special call signs: on national and international contest and expedition.

Brunei Darussalam

Amateur stations: V85 followed by 2 or 3 letters for the communications HF and VHF
V85 followed by 1 letter for the communications VHF only

Bulgaria (Republic of)

Amateur stations: LZ1-LZ9 followed by a group of not more than 3 letters

Burkina Faso

Amateur stations and experimental stations: XT2 or XT3 followed by 2 letters

Burundi (Republic of)

Amateur stations: 9U5 followed by 2 letters

Cabo Verde (Republic of)

Amateur stations: D44AA-D44ZZ

Cameroon (Republic of)

Amateur stations: TJ1 followed by 2 letters

Canada

Amateur stations: VE1, VA1 followed by 1, 2 or 3 letters – Provinces of Nova Scotia and New Brunswick
VE2, VA2 followed by 1, 2 or 3 letters – Province of Quebec
VE3, VA3 followed by 1, 2 or 3 letters – Province of Ontario
VE4, VA4 followed by 1, 2 or 3 letters – Province of Manitoba
VE5, VA5 followed by 1, 2 or 3 letters – Province of Saskatchewan

(See cont.)

Canada (continued)

VE6, VA6 followed by 1, 2 or 3 letters	– Province of Alberta
VE7, VA7 followed by 1, 2 or 3 letters	– Province of British Columbia
VE8 followed by 1, 2 or 3 letters	– Northwest Territories (excluding Nunavut)
VE9 followed by 1, 2 or 3 letters	– Province of New Brunswick
VE0* followed by 1, 2 or 3 letters	– Amateur station on board a ship
VO1 followed by 1, 2 or 3 letters	– Province of Newfoundland (excluding Labrador)
VO2 followed by 1, 2 or 3 letters	– Labrador
VY0 followed by 1, 2 or 3 letters	– Nunavut Territory
VY1 followed by 1, 2 or 3 letters	– Yukon Territory
VY2 followed by 1, 2 or 3 letters	– Province of Prince Edward Island

* VE0 is intended for use when the amateur radio station is operated from a vessel that makes international voyages.

Experimental stations: VX9 followed by 2 or 3 letters – Canada (all provinces and territories)

Central African Republic

Amateur stations and experimental stations: TL8 followed by 2 or 3 letters

Chad (Republic of)

Amateur stations and experimental stations: TT8 followed by 2 letters, the first of which is letter A

Chile

Amateur stations: CE or XQ followed by a digit (indicating the zone in which the station is situated) and by 2 or 3 letters

CE1-CE8	followed by 2 or 3 letters	– Mainland Chile
CE9	followed by 2 or 3 letters	– Antarctic
CE0Y	followed by 2 or 3 letters	– Easter Island
CE0Z	followed by 2 letters	– Juan Fernández and San Félix Islands

Colombia (Republic of)

Amateur stations: HJ or HK followed by a digit (0-9, indicating the zone to which belongs the radio amateur) and by 1, 2 or 3 letters

Digits indicating the zones:	0	– Insular Colombian Territory and mobile maritime service
	1	– Departments of Atlántico, Bolívar, Córdoba and Sucre
	2	– Departments of Guajira, Magdalena, Cesar and North of Santander
	3	– Departments of Cundinamarca, Meta and Vichada
	4	– Departments of Antioquia and Chocó
	5	– Departments of Cauca and Valle del Cauca
	6	– Departments of Caldas, Tolima, Risaralda, Quindío and Huila
	7	– Departments of Santander, Boyacá, Arauca and Casanare
	8	– Departments of Nariño, Caquetá and Putumayo
	9	– Departments of Amazonas, Vaupés, Guainía and Guaviare

Note: 5J or 5K followed by a digit (0-9) and by 1, 2 or 3 letters is authorised on a temporary basis to amateur stations operating during contests or special events.

Comoros (Union of the)

Amateur stations: D68 followed by 2 letters*

* The 2 letters are the operator identity.

Congo (Republic of the)

Amateur stations and
experimental stations: TN8AA-TN8ZZ

Cook Islands

Amateur stations: ZK1 followed by 2 letters

Costa Rica

Amateur stations: TE or TI followed by a digit and by a group of not more than 3 letters

Côte d'Ivoire (Republic of)

Amateur stations: TU2AA-TU2ZZ

Experimental stations: TU3AA-TU3ZZ

Croatia (Republic of)

Amateur stations: 9A followed by a digit and by 1, 2 or 3 letters

Cuba

Amateur stations: T4, CL, CM or CO followed by a digit (indicating the province or zone in which the station is situated) and by 1, 2 or 3 letters

Digits indicating the provinces
or zones:

- 1 – Province of Pinar del Río
- 2 – Province of Havana City
- 3 – Province of Havana
- 4 – Municipality of Isla de la Juventud
- 5 – Province of Matanzas
- 6 – Provinces of Villa Clara, Cienfuegos and Sancti Spíritus
- 7 – Provinces of Ciego de Ávila and Camagüey
- 8 – Provinces of Santiago de Cuba, Granma, Holguín, Las Tunas and Guantánamo

Curaçao

Amateur stations: PJ2AA-PJ2ZZZ

Cyprus (Republic of)

Amateur stations: 5B4AAA-5B4ZZZ

Note: Foreign amateurs will use the call sign assigned to them by their administration followed by a stroke (/) and then 5B4 on a temporary basis.

Czech Republic

Amateur stations: OK0-OK8 followed by 1, 2 or 3 letters
OLO-OL9 followed by 1, 2 or 3 letters
OK8 followed by 2 or 3 letters for foreigners transmitting from territory of the Czech Republic
OK0 followed by 2 or 3 letters exceptionally for extraordinary purposes
OLO-OL9 followed by 1 letter for purposes of international amateur contests only
OLO-OL9 followed by 2 or 3 letters for extraordinary purposes and for period of persistence of such purposes only

Experimental stations: OK9 followed by 2 or 3 letters

Denmark

Amateur stations			
Area	Prefix	Digit	Suffix
Denmark	OU, OV, OZ, 5P, 5Q	0-9	Up to 4 characters, the last of which shall be a letter
Faroe Islands	OY	1-9	1, 2 or 3 letters
Greenland	OX	1-9	2 or 3 letters

Djibouti (Republic of)

Amateur stations: J28AA-J28ZZ*
J20AA-J20ZZ**

* For amateur stations operating on a permanent basis.

** For amateur stations operating on a temporary basis.

Note: For special events the radio amateurs will use J20 followed by a group of 3 letters.

Dominica (Commonwealth of)

Amateur stations and experimental stations: J73AA-J73ZZ

Dominican Republic

Amateur stations: HI followed by a digit (indicating the zone in which the station is situated) and a group of not more than 3 letters

Digits indicating the zones:

- 1 – Beata Island
- 2 – Saona Island
- 3 – Central Cibao Region
- 4 – Northwest Line Region
- 5 – Southwest Region
- 6 – South Central Region
- 7 – East Region
- 8 – South Region
- 9 – Northwest Region

Ecuador

Amateur stations: HC or HD followed by a digit (1-8, indicating the province in which the station is situated) and by 1, 2 or 3 letters

The beginners have to use the letter N after the digit indicating the province

(See cont.)

Ecuador (continued)

Digits indicating the provinces: 1 – Provinces of Carchi, Imbabura and Pichincha
2 – Provinces of Guayas (Coast) and Los Ríos
3 – Provinces of El Oro (Coast) and Loja
4 – Provinces of Manabí (Coast) and Esmeraldas (Coast)
5 – Provinces of Chimborazo, Cañar and Azuay
6 – Provinces of Cotopaxi, Tungurahua and Bolívar
7 – Provinces of Napo, Pastaza, Morona Santiago, Zamora and Sucumbios
8 – Province of the Galápagos (Islands)

Experimental stations: HD9 followed by 3 letters

Note: The radio amateurs operating during competitions have to use HD9 followed by 1 letter on a temporary basis.

Egypt (Arab Republic of)

Amateur stations: SU followed by a digit and 2 letters

El Salvador (Republic of)

Amateur stations: YS followed by a digit (1-9, indicating the zone in which the station is situated) and by a group of not more than 3 letters

Digits indicating the zones: 1 – Department of San Salvador
2 – Department of Santa Ana
3 – Department of San Miguel
4 – Department of La Libertad
5 – Departments of La Paz, Cuscatlán and Chalatenango
6 – Departments of Usulután, San Vicente and Cabañas
7 – Department of Sonsonate
8 – Department of Ahuachapán
9 – Departments of Morazán and La Unión

Experimental stations: HU9 followed by 2 letters

Note: Foreign radio amateurs must use YS followed by a digit (1-9, indicating the operational zone), by a stroke (/) and by their own call sign.

Estonia (Republic of)

Amateur stations: ES followed by a digit (0-9, indicating the district in which the station is situated) and by 1, 2 or 3 letters

Digits indicating the districts: 0 – Administrative districts of Hiiumaa, Saaremaa and all small islands of Väänamere
1 – Tallinn
2 – Administrative district of Harjumaa
3 – Administrative districts of Lääne, Rapla and Järvamaa
4 – Administrative districts of Lääne-Virumaa and Ida-Virumaa
5 – Administrative districts of Jõgeva and Tartumaa
6 – Administrative districts of Põlva, Valga and Võrumaa
7 – Administrative district of Viljandimaa
8 – Administrative district of Pärnumaa
9 – Extraterritorial (for official using by Estonian Amateur Radio Union)

When amateur stations operate as portable or mobile stations, their call signs are followed by a stroke (/) and the letters "MM", "AM", "M" or "P" in the following cases:

- "MM" if the station is operated on board an Estonian vessel on international waters,
- "AM" if the station is operated on board an Estonian aircraft,
- "M" if the station is operated on board of some other vehicle including on board of a vessel on national waters,
- "P" if the station is hand-carried.

Foreign radio amateurs during their visit in Estonia must use ES followed by a digit (0-8) indicating the district in which the station is located, by a stroke (/) and by their own call sign.

Eswatini (Kingdom of)

Amateur stations: 3DA0 followed by 2 letters – Full licence
3DA1 followed by 2 letters – Restricted licence

Ethiopia (Federal Democratic Republic of)

Amateur stations: ET3AA-ET3ZZ
9E3AA-9F3ZZ

Fiji (Republic of)

Amateur stations: 3D2 followed by 2 letters

Experimental stations: 3D3 followed by 2 letters

Finland

Amateur stations and experimental stations: OF, OG, OH, OI or OJ followed by a digit and a group of not more than 4 characters, the last of which shall be a letter

France

Amateur stations			
F ¹⁾	0-9 ²⁾	AA-ZZZ ³⁾	France (Continental)
			Corsica, Overseas Departments and Territories (except New Caledonia):
FG	1-5 ⁴⁾	AA-ZZZ ³⁾	Guadeloupe
FH	»	»	Mayotte
FJ	»	»	Saint Bartholomew
FM	»	»	Martinique
FO	»	»	French Polynesia
FP	»	»	Saint Pierre and Miquelon
FR	»	»	Reunion
FT	»	»	Southern and Antarctic Lands
FW	»	»	Wallis and Futuna
FY	»	»	Guiana
TK	»	»	Corsica
FK	8	AA-ZZZ ⁵⁾	New Caledonia

- 1) F followed by a letter (A, B, C, D or E) indicating the group to which the radio amateur belongs, followed by an F indicating a radio club station.
- 2) A digit 0 to 9 (except the digit 7).
- 3) 2 or 3 letters characterizing the radio amateur.
- 4) A digit indicating the group to which the radio amateur belongs (1: group A, 2: group B, 3: group C, 4: group D and 5: group E), the digit 0 indicating a radio club station.
- 5) 2 or 3 letters characterizing the radio amateur, K as first letter indicating a radio club station.

Gabonese Republic

Amateur stations: TR8AA-TR8ZZ

Gambia (Republic of the)

Amateur stations: C53AA-C53ZZ

Georgia

Amateur stations: 4L followed by a digit and by 1, 2 or 3 letters

Germany (Federal Republic of)

Amateur stations		
Call signs	Purpose of use	Class
1	2	3
DA0A-DA0ZZZ	Club stations	A
DA1A-DA1Z ¹⁾	Club stations	A
DA1AA-DA1ZZZ ¹⁾	Individual stations, club stations, repeaters, beacons	A
DA2A-DA3Z	Club stations	A
DA2AA-DA2ZZZ	Individual stations, club stations, repeaters, beacons	A
DA4A-DA4Z	Special experimental studies as club stations	E
DA4AA-DA4ZZZ ²⁾	Special experimental studies as individual stations	E
DA5A-DA5Z	Special experimental studies as club stations	A
DA5AA-DA5ZZZ ²⁾	Special experimental studies as individual stations	A
DA6A-DA6Z ¹⁾	Club stations	E
DA6AA-DA6ZZZ ¹⁾	Individual stations, club stations, repeaters, beacons	E
DA7A-DA9Z	Club stations	E
DB0A-DD9Z	Club stations	A
DB0AA-DB0ZZZ	Repeaters, beacons	A
DB1AA- DD9ZZZ	Individual stations	A
DF0A-DH9Z	Club stations	A
DF0AA-DF0ZZZ	Club stations	A
DF1AA- DH9ZZZ	Individual stations	A
DJ0A-DM9Z	Club stations	A
DJ0AA-DJ9ZZZ	Individual stations	A
DK0AA-DK0ZZZ	Club stations	A
DK1AA-DK9ZZZ	Individual stations	A
DL0AA-DL0ZZZ	Club stations	A
DL1AA-DL9ZZZ	Individual stations	A
DM0AA-DM0ZZZ	Repeaters, beacons (DM0ZA-DM0ZZZ: repeaters with new technology)	A
DM1AA-DM9ZZZ	Individual stations	A
DN0A-DN0ZZZ	Club stations	E
DN1AA-DN6ZZZ ²⁾	Stations used for radio operation instruction	A
DN7AA-DN8ZZZ ²⁾	Stations used for radio operation instruction	E
DO0A-DO9Z	Club stations	E
DO0AA-DO0ZZZ	Repeaters, beacons (DO0ZA-DO0ZZZ: repeaters with new technology)	E
DO1AA-DO9ZZZ	Individual stations	E
DP0A-DP1Z	Club stations (extraterritorial locations)	A
DP0AA-DP1ZZZ	Club stations, repeaters, beacons, special experimental studies (extraterritorial locations)	A
DP2A-DP2Z	Club stations (extraterritorial locations)	E
DP2AA-DP2ZZZ	Club stations, repeaters, beacons, special experimental studies (extraterritorial locations)	E
DP3A- DR9Z	Club stations	A

1) Only for personnel under SOFA (Status of Forces Agreement).

2) Also for personnel under SOFA (Status of Forces Agreement).

Note: Foreign radio amateurs without permanent residence in Germany will use DL followed by a stroke (/) and their national call sign for class A, or DO followed by a stroke (/) and their national call sign for class E, or a personal regulatory call sign.

Experimental stations: DI2AA-DI2ZZ

Ghana

Amateur stations: 9G1 followed by 2 or more letters*
9G5 followed by 2 or more letters**

Experimental stations: 9G2 followed by 2 letters

* For national radio amateurs.

** For foreign radio amateurs.

Greece

Amateur stations and experimental stations: SV* or SW** followed by a digit (indicating the region in which the station is situated) and by 2 or 3 letters

Digits indicating the regions:

- 1 – Sterea Hellas
- 2 – Central and Western Macedonia
- 3 – Peloponnese
- 4 – Thessaly
- 5 – Dodecanese Prefecture
- 6 – Epirus
- 7 – Eastern Macedonia and Thrace
- 8 – All the islands (except those belonging to Cretian Prefectures and to Dodecanese Prefecture)
- 9 – Cretian Prefectures and their islands

* Class 1.

** Class 2.

- Notes:**
- i) SV0 or SW0 followed by 2 or 3 letters is assigned to Greek radio amateurs with a foreign licence and to foreign radio amateurs with permanent residence.
 - ii) The prefix J4, SX or SY is assigned as a special call sign to Greek unions of radio amateurs, Greek teams of radio amateurs, Greek radio amateurs and foreign radio amateurs.
 - iii) The prefix SZ is assigned to the Greek Radio Amateur Union and Greek university laboratories in the area of wireless telecommunications.

Guatemala (Republic of)

Amateur stations: TG followed by a digit (4-9, indicating the department in which the station is situated) and by 2 letters

Digits indicating the departments:

- 4 – Sololá, Chimaltenango, Suchitepéquez, Escuintla and Santa Rosa
- 5 – Huehuetenango, Quiché and Totonicapán
- 6 – Zacapa, Chiquimula and Jutiapa
- 7 – Petén, Alta Verapaz and Izabal
- 8 – San Marcos, Quetzaltenango and Retalhuleu
- 9 – Guatemala, Jalapa, El Progreso, Baja Verapaz and Sacatepéquez

Experimental stations: TD9A-TD9Z

Guinea (Republic of)

Amateur stations: 3X0AA-3X9ZZ

Experimental stations: 3X2AAA-3X9ZZZ

Guinea-Bissau (Republic of)

Amateur stations: J52UAB-J52UAI

Guyana

Amateur stations and experimental stations: 8R1AAA-8R1ZZZ – Demerara
8R2AAA-8R2ZZZ – Berbice
8R3AAA-8R3ZZZ – Essequibo

Haiti (Republic of)

Amateur stations: HH followed by a digit (indicating the zone in which the station is situated) and by 2 letters

Honduras (Republic of)

Amateur stations: HR followed by a digit (1-9, indicating the zone in which the station is situated) and by:

- 1 letter for the superior class with 20 years or more of good service,
- 2 letters for the superior class with less than 20 years of service,
- 3 letters for the advanced and general class.

HQ followed by a digit (1-9, indicating the zone in which the station is situated) and by:

- 1 letter for national and international special events in which participate, local and foreign radio amateurs from the administrations having reciprocal agreement,
- 3 letters for the novice class.

Hungary

Amateur stations: HA or HG followed by a digit (0-9) and a group of not more than four characters, the last of which shall be a letter

Iceland

Amateur stations: TF followed by a digit (indicating the area in which the station is situated) and by 1, 2 or 3 letters

For novice licence holders the last letter has to be N.

Call signs followed by a stroke (/) and the letters “M” or “P” are used in the following cases:

- letter “M” to denote a mobile station,
- letter “P” to denote a portable station.

India (Republic of)

Amateur stations: VU2 or VU3 followed by 2 or 3 letters – Mainland India
VU4 or VU7 followed by 2 or 3 letters – National Islands

Experimental stations: VU4 followed by 2 letters

Indonesia (Republic of)

Amateur stations: YB or YE followed by a digit (0-9) and by 1*, 2 or 3 letters – Advanced licence
YC or YF followed by a digit (0-9) and by 1*, 2 or 3 letters – General licence
YD, YG or YH followed by a digit (0-9) and by 1*, 2 or 3 letters – Novice licence

* The 1 letter suffix is not for personal call sign use, but only for organizational stations with special event activities.

Iran (Islamic Republic of)

Amateur stations: EP1AA-EP9ZZ

Iraq (Republic of)

Amateur stations: Y11 followed by 3 letters

Ireland

Amateur stations: EI followed by a digit (2-9) and a group of not more than 3 letters

Israel (State of)

Amateur stations: 4X1 followed by 2 or 3 letters
4X4 followed by 2 or 3 letters
4X6 followed by 2 or 3 letters
4X8 followed by 2 or 3 letters
4Z1 followed by 2 or 3 letters
4Z4 followed by 2 or 3 letters
4Z5 followed by 2 or 3 letters
4Z7 followed by 2 or 3 letters
4Z9 followed by 2 or 3 letters

Italy

Amateur stations: I0 or IK0 followed by 2 or 3 letters – Lazio and Umbria
I1 or IK1 followed by 2 or 3 letters – Liguria, Piemonte and the Province of Novara

I2 or IK2 followed by 2 or 3 letters – Lombardia and the Province of Mantova
I3 or IK3 followed by 2 or 3 letters – Veneto and the Province of Rovigo
I4 or IK4 followed by 2 or 3 letters – Emilia-Romagna and the Province of Piacenza

I5 or IK5 followed by 2 or 3 letters – Toscana
I6 or IK6 followed by 2 or 3 letters – Marche and Abruzzi
I7 or IK7 followed by 2 or 3 letters – Puglie and the Province of Matera
I8 or IK8 followed by 2 or 3 letters – Campania, Molise, Calabria and the Province of Potenza

IA5 followed by 2 or 3 letters – “Toscane” Islands (Capraia, Cerboli, Elba, Formica di Burano, Formiche di Grosseto, Giannutri, Giglio, Gorgona, Montecristo, Pianosa, Scoglio d’Affrica)

IB0 followed by 2 or 3 letters – “Ponziane” Islands (Palmarola, Ponza, Scoglio della Botte, Santo Stefano, Ventotene, Zandone)

IC8 followed by 2 or 3 letters – “Napoletane” Islands (Capri, Ischia, Li Galli, Procida, Vivara)

ID9 followed by 2 or 3 letters – “Eolie” Islands (Alicudi, Basiluzzo, Dino, Filicudi, Formiche, Lipari, Lisca Bianca, Panarea, Salina, San Pietro a Canina, Stromboli, Strombolicchio, Vulcano)

IE9 followed by 2 or 3 letters – Island of Ustica
IF9 followed by 2 or 3 letters – “Egadi” Islands (Asinelli, Favignana, La Formica, Levanzo, Maraone, Marettimo, Stagnone)

IG9 followed by 2 or 3 letters – “Pelagie” Islands (Lampedusa, Lampione, Linosa)

IH9 followed by 2 or 3 letters – Island of Pantelleria
IJ7 followed by 2 or 3 letters – Archipelago of “Cheradi”
IL7 followed by 2 or 3 letters – “Tremiti” Islands (Caprara, Pianosa, San Domino, San Nicola)

(See cont.)

Italy (continued)

IM0 followed by 2 or 3 letters	– “Sardegna” Islands (Asinara, Bisce, Budelli, Carbonara, Caprera, Cavoli, Corcelli, Cretaccio, Foradada, Il Catalano, Il Toro, Il Vitello, La Maddalena, La Vacca, Mal di Ventre, Molara, Mortorio, Nibani, Ogliastro, Pan di Zucchero, Piana, Quirra, Razzoli, Rossa, Ruglia, S. Antioco, S. Pietro, S. Macario, S. Maria, Serpentara, Soffi, Spargi, Su Giudeu, Tavolara)
IN3 followed by 2 or 3 letters	– Trentino-Alto Adige
IP1 followed by 2 or 3 letters	– “Liguria” Islands
IS0 followed by 2 or 3 letters	– Sardegna
IT9 followed by 2 or 3 letters	– Sicilia
IV3 followed by 2 or 3 letters	– Friuli and Venezia Giulia
IW0 followed by 2 or 3 letters	– Special licences
IX1 followed by 2 or 3 letters	– Aosta Valley

Jamaica

Amateur stations and
experimental stations: 6Y5AA-6Y5ZZ

Note: Foreign amateurs will use the call sign assigned to them by their administration followed by a stroke (/) and then 6Y5.

Japan

Amateur stations: JAnAA-JAnZZ (n = 0-9)
JR6AA-JR6NZ
JRnVA-JRnWZ (n = 0-9)
JR6YA-JR6YZ
JxnAAA-JxnQQZ (x = A, E-S) (n = 0-9)
JxnQUA-JxnZZZ (x = A, E-S) (n = 0-9)
JD1AAA-JD1QQZ
JD1QUA-JD1ZZZ
7JnAAA-7JnBZZ (n = 0, 4, 5, 7-9)
7JnAAA-7JnCZZ (n = 2, 3, 6)
7J1AAA-7J1DZZ
7JnYAA-7JnYMZ (n = 0-5, 7-9)
7J6YAA-7J6YQZ
7xnAAA-7xnQQZ (x = K-N) (n = 1-4)
7xnQUA-7xnZZZ (x = K-N) (n = 1-4)
8xnAAA-8xnQQZ (x = J, N) (n = 0-9)
8xnQUA-8xnZZZ (x = J, N) (n = 0-9)

Experimental stations: JxnA-JxnZ (x = B, G, J, O, S) (n = 2-9)
JxnAA-JxnZZ (x = B, G, J, O, S) (n = 2-9)

Jordan (Hashemite Kingdom of)

Amateur stations: JY1AA-JY9ZZ

Kenya (Republic of)

Amateur stations: 5Z4AA-5Z4ZZ

Experimental stations: 5Z5AA-5Z5ZZ

Kiribati (Republic of)

Amateur stations: T3 followed by a digit (0-9) and by a group of not more than 3 letters

Experimental stations: T3 followed by a digit (other than 0 or 1) and by a group of not more than 3 letters

Korea (Republic of)

Amateur stations: 1. HL1AA-HL9ZZ
HL1AAA-HL9ZZZ
2. HL0 followed by 2 or 3 letters (amateur group)

Experimental stations: 6M2AA-6M2ZZ
6N2AA-6N2ZZ

Note: DS, DT, D7, D8, D9, 6K, 6L, 6M, 6N followed by a digit and by 2 or 3 letters are assigned on a temporary basis on special occasions.

Kuwait (State of)

Amateur stations: 9K2 followed by 1 or 2 letters
9K9 followed by 1 letter

Kyrgyz Republic

Amateur stations: EX followed by a digit (0-9) and 1 or 2 letters

Note: Foreign radio amateurs will use EX followed by a stroke (/) and their home call sign.

Lao People's Democratic Republic

Amateur stations: XW8AA-XW8DZ

Experimental stations: XW8EA-XW8EZ

Latvia (Republic of)

Amateur stations and
experimental stations: YL followed by a digit and by 1, 2 or 3 letters

Lebanon

Amateur stations: OD5 followed by 2 letters

Experimental stations: OD9 followed by 2 letters

Lesotho (Kingdom of)

Amateur stations and
experimental stations: 7P8 followed by a group of not more than 3 letters

Libya

Amateur stations: 5A followed by a digit (0-9) and by a group of not more than 3 letters

Experimental stations: 5A followed by a digit (other than 0 or 1) and by a group of not more than 3 letters

Liechtenstein (Principality of)

Amateur stations: HB0AAA-HB0XXX
HB0YAA-HB0YZZ – Novice licence
HB0ZAA-HB0ZZZ

Lithuania (Republic of)

Amateur stations and
experimental stations: LY followed by a digit (1-4) and by 1 to 4 letters

Note: LY followed by 2 to 4 digits and by 1 letter is authorized only for the formation of occasional radio call signs.

Luxembourg

LX0A-LX0ZZZZ	Repeaters, beacons, group stations
LX1A-LX1ZZZZ	Individual stations operating with a HAREC certificate
LX2A-LX2ZZZZ	
LX3A-LX3ZZZZ	
LX4A-LX4ZZZZ	Group stations
LX5A-LX5ZZZZ	Group stations, experimental stations
LX6A-LX6ZZZZ	Individual stations operated by beginners
LX7A-LX7ZZZZ	Individual stations operated during competitions
LX8A-LX8ZZZZ	Group stations
LX9A-LX9ZZZZ	

Note: Foreign radio amateurs with temporary licence must use LX followed by a stroke (/) and their own call sign.

Madagascar (Republic of)

Amateur stations: 5R8 followed by a group of not more than 3 letters

Experimental stations: 5S6 followed by a group of not more than 3 letters

Malawi

Amateur stations: 7Q7 followed by 2 letters

Malaysia

Amateur stations		
Call signs	Class	Territory
9M2AAA-9M2ZZZ	A	Peninsular Malaysia
9W2AAA-9W2ZZZ	B	
9M6AAA-9M6ZZZ	A	Sabah
9W6AAA-9W6ZZZ	B	
9M8AAA-9M8ZZZ	A	Sarawak
9W8AAA-9W8ZZZ	B	
Experimental stations		
9M4EAA-9M4EZZ		

Maldives (Republic of)

Amateur stations: 8Q7AA-8Q7ZZ

Malta

Call sign	Applicability
9H1A-9H1ZZ	Licenses granted prior to 1 June 2019 to holders located in Malta in the Class A category. Call signs under this series are no longer being assigned.
9H2A-9H2ZZ	Licenses granted as from 1 June 2019 to holders located in Malta.
9H3A-9H3ZZ.	Temporary licenses
9H4A-9H4ZZ	Licenses granted prior to 1 June 2019 to holders located in Gozo in the Class A category. Call signs under this series are no longer being assigned.
9H5A-9H5ZZ	Licenses granted prior to 1 June 2019 to holders located in Malta and Gozo in the Class B category. Call signs under this series are no longer being assigned.
9H6A-9H6ZZ.	Temporary licenses for radio contests, experimental or special events
9H7A-9H7ZZ	Licenses granted as from 1 June 2019 to holders located in Gozo

Mauritania (Islamic Republic of)

Amateur stations: 5T5 followed by 2 letters

Experimental stations: 5T2 followed by 2 letters

Mauritius (Republic of)

Amateur stations: 3B6 followed by 2 letters – Agalega
3B7 followed by 2 letters – S. Brandon
3B8 followed by 2 letters – Mauritius
3B9 followed by 2 letters – Rodrigues

Note: Foreign radio amateurs with visitor licence must use 3B8 followed by a stroke (/) and their own call sign.

Mexico

Amateur stations	
<i>Continental Part</i>	
XE0A-XE0ZZZ	
XE1A-XE1ZZZ	<i>Zone 1:</i> Distrito Federal, Colima, Guanajuato, Hidalgo, Jalisco, Estado de México, Michoacán, Morelos, Nayarit, Puebla, Querétaro, Tlaxcala and Veracruz
XE2A-XE2ZZZ	<i>Zone 2:</i> Aguascalientes, Baja California Norte, Baja California Sur, Coahuila, Chihuahua, Durango, Nuevo León, San Luis Potosí, Sinaloa, Sonora, Tamaulipas and Zacatecas
XE3A-XE3ZZZ	<i>Zone 3:</i> Campeche, Chiapas, Guerrero, Oaxaca, Quintana Roo, Tabasco and Yucatán
<i>Insular Part</i>	
XF0A-XF0ZZZ	
XF1A-XF1ZZZ	<i>Zone 1:</i> Baja California Norte, Baja California Sur, Sonora, Sinaloa and Nayarit
XF2A-XF2ZZZ	<i>Zone 2:</i> Tamaulipas, Veracruz, Tabasco and Campeche
XF3A-XF3ZZZ	<i>Zone 3:</i> Yucatán and Quintana Roo
XF4A-XF4ZZZ	<i>Zone 4:</i> Jalisco, Colima, Michoacán, Guerrero, Oaxaca and Chiapas

- Notes:** i) Foreign radio amateurs operating in the Continental Part will use XE1, XE2 or XE3 followed by a stroke (/) and by their home call sign.
- ii) Only for special events the radio amateurs will use XA, XB, XC, XD, XE, XF, XG, XH, XI, 4A, 4B, 4C, 6D, 6E, 6F or 6J followed by a digit and by a group of not more than 3 letters.

Micronesia (Federated States of)

Amateur stations: V63 followed by 2 letters

Experimental stations: V62 followed by the letter X and by 2 letters

Moldova (Republic of)

Amateur stations: ER1 – ER5 followed by one, two or three letters

Suffix can be composed of:

- two or three letters for individual stations (letter K is forbidden for the first letter)
- three letters for club stations (the first of which is letter K)
- one, two, three or more digits and/or letters for special call signs, beacons and repeaters.

Call sign containing:

- 4 characters → class A;
- 5 characters → class A and class B;
- 6 characters → class C.

ER6 – ER0 followed by two or more digits are used for special call signs allocated for special events

ER1 – ER0 followed by two or more digits can be allocated to:

- a physical resident – citizen of the Republic of Moldova;
- a foreign citizen or eupatrid who has permanent residence in the Republic of Moldova (confirmed by respective documents);
- legal residents of the Republic of Moldova.

(See cont.)

Moldova (Republic of) *(continued)*

Call signs followed by a stroke (/) and letters "MM", "AM", "M" and "P" are used in the following cases:

MM: for mobile maritime or river stations,

AM: for mobile aeronautical stations,

M: for mobile terrestrial stations,

P: for portable terrestrial stations.

Note: Authorized foreign radio amateurs will use ER followed by a stroke (/) and their home call sign.

Monaco (Principality of)

Amateur stations: 3A2AA-3A2ZZ – Class 1 – General licence
3A1AA-3A1ZZ – Class 2 – Licence restricted to bands 144-146 MHz and 430-440 MHz
3A2AAA-3A2ZZZ – Radio Club

Experimental stations: 3A9A-3A9Z

Morocco (Kingdom of)

Amateur stations: CN2AA-CN2ZZ
CN8AA-CN8ZZ

Experimental stations: CN4AA-CN4ZZ

Mozambique (Republic of)

Amateur stations: C9 followed by a digit (indicating the province in which the station is situated) and by a group of not more than 3 letters

Digits indicating the provinces: 1 – Maputo
2 – Gaza-Inhambane
3 – Sofala-Manica
4 – Zambezia-Nampula
5 – Tete-Niassa
6 – C. Delgado

Myanmar (Union of)

Amateur stations and experimental stations: XZ2AA-XZ2ZZ

Namibia (Republic of)

Amateur stations: V50A-V50ZZZ – Restricted licence station
V51A-V51ZZZ – Full licence station
V5 followed with existing call sign – Guest station

Experimental stations: V59A-V59ZZZ

Nauru (Republic of)

Amateur stations: C2 followed by a digit identifying the category and by 2 letters

Nepal (Federal Democratic Republic of)

Amateur stations: 9N1AA-9N1ZZZ

Netherlands (Kingdom of the)

Amateur stations: PA0, PA1, PA6, PI4, PI6, PI7 or PI8 followed by 2 or 3 letters
PA2, PA3, PB0, PD0, PE0, PE1, PI1, PI2 or PI3 followed by 3 letters

Experimental stations: PI5 or PI9 followed by 2 or 3 letters

New Zealand

Amateur stations and experimental stations	
Call signs	Areas
1	2
ZL1AA-ZL4WZ ZL1AAA-ZL4WZZ ZL1AAAA-ZL4WZZZ	New Zealand
ZK0A-ZK9ZZZZ ZL0A-ZL0ZZZZ ZL1A-ZL4W ZM0A-ZM0ZZZZ ZM1A-ZM9ZZZZ**	New Zealand special events
ZL5AA-ZL5WZ ZL5AAA-ZL5WZZ ZL5AAAA-ZL5WZZZ	Antarctic
ZL5A-ZL5W	Antarctic special events
ZL6AA-ZL6WZ ZL6AAA-ZL6WZZ ZL6AAAA-ZL6WZZZ	NZART*
ZL6A-ZL6W	NZART* special events
ZL7AA-ZL7WZ ZL7AAA-ZL7WZZ ZL7AAAA-ZL7WZZZ	Chatham Islands
ZL7A-ZL7W	Chatham Islands special events
ZL8AA-ZL8WZ ZL8AAA-ZL8WZZ ZL8AAAA-ZL8WZZZ	Kermadec Islands
ZL8A-ZL8W	Kermadec Islands special events
ZL9AA-ZL9WZ ZL9AAA-ZL9WZZ ZL9AAAA-ZL9WZZZ	Auckland/Campbell Islands
ZL9A-ZL9W	Auckland/Campbell Islands special events

* New Zealand Association of Radio Transmitters (NZART).

** Amateurs will use the prefix ZM instead of ZL for contests and other special events.

Nicaragua

Amateur stations:

YN followed by a digit (indicating the zone in which the station is situated) and by 2 or 3 letters

Digits indicating the zones:

- 1 – Managua
- 2 – Granada
- 3 – León
- 4 – Zelaya
- 5 – Carazo and Rivas
- 6 – Chinandega
- 7 – Masaya
- 8 – Estelí, Madriz and Nueva Segovia
- 9 – Matagalpa, Jinotega, Boaco, Chontales and Río San Juan

Niger (Republic of the)

Amateur stations and experimental stations: 5U2-5U9 followed by the letter V and by 1 or 2 letters

When stations operate as fixed stations, their call signs are followed by the letter "F".

When stations operate as mobile stations, their call signs are followed by the letters "MOB".

Nigeria (Federal Republic of)

Amateur stations: 5N followed by a digit (indicating the zone in which the station is situated) and by 3 letters

Digits indicating the zones:

- 0 – Lagos State and Federal Capital Territory
- 1 – Ogun, Oyo, Ondo and Ekiti States
- 2 – Osun, Kwara, Kogi and Niger States
- 3 – Edo, Delta, Bayelsa and Anambra States
- 4 – Enugu, Abia, Ebonyi and Rivers States
- 5 – Imo, Akwa Ibom and Cross River States
- 6 – Benue, Plateau, Nassarawa and Taraba States
- 7 – Bauchi, Gombe, Adamawa and Borno States
- 8 – Jigawa, Kano, Yobe and Katsina States
- 9 – Zamfara, Sokoto, Kaduna and Kebbi States

Experimental stations:

- 5N2XA-5N2ZZ
- 5N3EA-5N3EZ
- 5N4XA-5N4ZZ
- 5N5EA-5N5EZ
- 5N6XA-5N6ZZ
- 5N7EA-5N7EZ
- 5N8XA-5N8ZZ
- 5N9EA-5N9EZ

Niue

Amateur stations: ZK2 followed by 2 letters

Norway

Amateur stations:

- JW0AAA-JW9ZZZ
- JX0AAA-JX0ZZZ
- LA0AAA-LA9ZZZ
- LB0AAA-LB9ZZZ
- LC0AAA-LC9ZZZ
- LD0AAA-LD9ZZZ
- 3Y0AAA-3Y9ZZZ

Experimental stations: LF2AAA-LF9ZZZ

Oman (Sultanate of)

Amateur stations: A40AA-A48ZZ

Experimental stations: A49AA-A49ZZ

Pakistan (Islamic Republic of)

Amateur stations and experimental stations: AP2-AP9 followed by a group of not more than 3 letters

Papua New Guinea

Amateur stations: P29BAA-P29BZZ – Beacons
P29CAA-P29CZZ – Club stations
P29KAA-P29KZZ – Combined licences
P29NAA-P29NZZ – Novice licence
P29RAA-P29RZZ – Repeaters
P29ZAA-P29ZZZ – Limited licence

Paraguay (Republic of)

Amateur stations: ZP followed by a digit (1-9, indicating the zone in which the station is situated) and by 2 or 3 letters characterizing the radio amateur (the first of which is neither letter I, nor O, nor Q)

Digits indicating the zones:

- 1 – Departments of Alto Paraguay and Boquerón
- 2 – Department of Presidente Hayes
- 3 – Departments of Concepción and Amambay
- 4 – Departments of San Pedro and Canindeyú
- 5 – Asunción (Capital) – Municipio de Asunción
- 6 – Departments of Cordillera, Paraguari and Central
- 7 – Departments of Guairá, Caaguazú and Caazapá
- 8 – Departments of Misiones and Neembucú
- 9 – Departments of Itapúa and Alto Paraná

Note: The digit 0 is allocated to amateur stations during special occasions.

Peru

Amateur stations: OA followed by a digit (0-9, indicating the zone in which the station is situated) and by 1, 2 or 3 letters

Digits indicating the zones:

- 0 – Peruvian Antarctic
- 1 – Tumbes, Piura, Lambayeque
- 2 – Cajamarca, La Libertad
- 3 – Huánuco, Ancash
- 4 – Lima, Pasco Junín
- 5 – Ica, Ayacucho, Apurímac, Huancavelica
- 6 – Arequipa, Moquegua, Tacna
- 7 – Cuzco, Puno, Madre de Dios
- 8 – Loreto, Ucayali
- 9 – Amazonas, San Martín

Note: The prefix 4T is assigned on a temporary basis.

Philippines (Republic of the)

Amateur stations: DU* followed by a digit (1-9, indicating the district in which the station is situated) and by a group of not more than 3 letters – Class A, B or C

DY followed by a digit (1-9, indicating the district in which the station is situated) and by a group of not more than 3 letters – Class D

DX or DZ followed by a digit (1-9, indicating the district in which the station is situated) and by a group of not more than 3 letters – Club stations

* Class A radio amateurs have the option to change the prefix DU by 4D, 4E or 4F.

Poland (Republic of)

Amateur stations: HF, SN, SO, SP, SQ or 3Z followed by a digit (1-9, indicating the province in which the station is situated) and by a group of not more than four characters, the last of which shall be a letter.

SO followed by a digit (1-9, indicating the province in which the station is situated) and by a group of not more than four characters, the last of which shall be a letter - for foreign radio amateurs visiting Poland.

(See cont.)

Poland (Republic of) *(continued)*

SR followed by a digit (1-9, indicating the province in which the station is situated) and by a group of not more than four characters, the last of which shall be a letter - for unattended (automatic) amateur stations (repeaters, beacons, digital stations).

HF, SN, SO, SP, SQ or 3Z followed by a digit (1-9, indicating the province in which the station is situated or 0) and by a group of characters (as requested) - for special event stations or operating during amateur contests and competitions (up to one year).

Digits indicating the provinces:

- 1 – Province of Zachodniopomorskie
- 2 – Provinces of Pomorskie and Kujawsko-Pomorskie
- 3 – Provinces of Wielkopolskie and Lubuskie
- 4 – Provinces of Warminsko-Mazurskie and Podlaskie
- 5 – Province of Mazowieckie
- 6 – Provinces of Dolnoslaskie and Opolskie
- 7 – Provinces of Lodzkie and Swietokrzyskie
- 8 – Provinces of Lubelskie and Podkarpackie
- 9 – Provinces of Slaskie and Malopolskie

Portugal

Amateur stations				
Prefix	Suffix	Class	Geographical area	Note
1	2	3	4	5
CQ0	2 to 4 characters	–	Portugal	2)
CQ1	2 to 4 characters	–	Azores	2)
CQ2	2 to 4 characters	–	Madeira	2)
CR0	1 to 4 characters	–	Portugal, Madeira, Azores	1)
CR7	3 letters	3	Portugal	–
CR8	3 letters	3	Azores	–
CR9	3 letters	3	Madeira	–
CS0	3 letters	–	Portugal	3)
CS1	3 letters	–	Portugal	3)
CS3	1 to 4 characters	–	Madeira	3)
CS4	1 to 4 characters	–	Azores	3)
CS5	1 to 4 characters	–	Portugal	3)
CS6	3 letters	–	Portugal	3)
CS7	3 letters	2	Portugal	–
CS8	3 letters	2	Azores	–
CS9	3 letters	2	Madeira	–
CT1	2 or 3 letters	A and B	Portugal	3)
CT2	2 or 3 letters	B	Portugal	–
CT3	2 or 3 letters	A, B and C	Madeira	–
CT4	2 or 3 letters	A and B	Portugal	–
CT5	3 letters	C	Portugal	–
CT6	3 letters	–	Portugal	3)
CT7	3 letters	1	Portugal	–
CT8	3 letters	1	Azores	–
CT9	3 letters	1	Madeira	–
CU0	3 letters	C	Azores (all islands)	–
CU1	2 or 3 letters	A and B	Azores (Santa Maria)	3)
CU2	2 or 3 letters	A and B	Azores (São Miguel)	3)

(See cont.)

Portugal (continued)

1	2	3	4	5
CU3	2 or 3 letters	A and B	Azores (Terceira)	3)
CU4	2 or 3 letters	A and B	Azores (Graciosa)	3)
CU5	2 or 3 letters	A and B	Azores (São Jorge)	3)
CU6	2 or 3 letters	A and B	Azores (Pico)	3)
CU7	2 or 3 letters	A and B	Azores (Faial)	3)
CU8	2 or 3 letters	A and B	Azores (Flores)	3)
CU9	2 or 3 letters	A and B	Azores (Corvo)	–

- 1) Call signs assigned to amateur stations of public protection and relief organizations.
- 2) Call signs assigned to amateur stations of amateur associations (repeaters).
- 3) Call signs assigned to amateur stations of amateur associations (non-repeaters).

Note: For occasional call signs (contests for example) and experimental stations, the following prefixes will be used:

- Portugal: CQ7, CR5, CR6 and CS2;
- Azores: CQ8, CR1 and CR2;
- Madeira: CQ3, CQ9 and CR3.

Qatar (State of)

Amateur stations: A71AA-A71ZZ

Experimental stations: A73AA-A73ZZ

Republic of Türkiye

Amateur stations: TA followed by a digit and a group of not more than 3 letters

Romania

- Amateur stations:
- a) individual
YO followed by a digit and a group of not more than 3 letters (the first of which is not letter K)
 - b) club
YO followed by a digit and a group of not more than 3 letters (the first of which is letter K)

Note: YP, YQ and YR followed by a digit and a group of not more than 3 letters are assigned to amateur stations operating during contests or special events.

Russian Federation

Amateur and experimental stations	
RA0AA – RZ9ZZ UA0AA – UI9ZZ R0AA – R9ZZ* RA0A – RZ9Z** UA0A – UI9Z	Stations in the first qualification category operating with a HAREC certificate
R0AAA – R9ZZZ RA0AAA – RZ9ZZZ UA0AAA – UA9ZZZ	Stations in the second qualification category operating with a HAREC certificate
UB0AAA – UD9ZZZ UF0AAA – UG9ZZZ	Stations in the third qualification category operating with an ARNEC certificate (novice licence)

(See cont.)

Russian Federation (continued)

Amateur and experimental stations (continued)	
UE0AAA – UE9ZZZ UH0AAA – UI9ZZZ	Stations in the fourth qualification category (initial level)
RR0AA – RR9ZZ RR0AAA – RR9ZZZ	Repeaters
RB0AA – RB9ZZ	Radiobeacons
RS0S – RS9S RS10S – RS99S	Stations of the amateur-satellite service
R0AAAA – R9ZZZZ R00AAA – R99ZZZ R000A – R999Z R000AA – R999ZZ R0000A – R9999Z RA00A – RZ99Z RA00AA – RZ99ZZ RA00AAA – RZ99ZZZ RA000A – RZ999Z RA000AA – RZ999ZZ	Temporary use in special circumstances
R0A – R9Z R00A – R99Z R00AA – R99Z***	Stations participating in internal rounds of competitions

* Subject to use of the amateur station for a period of not less than 25 calendar years.

** Subject to participation over the past five years in no fewer than ten international or all Russian wireless communication contests.

*** With the exclusion of call signs in the series R00SP - R99SP exclusively assigned to amateur stations of polar expeditions operating on the drift-ice of the Arctic Ocean.

Rwanda (Republic of)

Amateur stations: 9X5AA-9X5ZZ

Samoa (Independent State of)

Amateur stations: 5W followed by a digit and 2 letters

San Marino (Republic of)

Amateur stations: T72AA-T72ZZ*
T77AA-T77ZZ**
Radio Club: T70A**
Temporary Radio Club: T71CE**

* VHF and above VHF.

** All bands.

Sao Tome and Principe (Democratic Republic of)

Amateur stations: S92AA-S92ZZ

Saudi Arabia (Kingdom of)

Amateur stations and
experimental stations: 7Z followed by a digit and 2 letters

Senegal (Republic of)

Amateur stations: 6W1AA-6W1ZZ

Experimental stations: 6V3AA-6V3ZZ

Seychelles (Republic of)

Amateur stations: S79AAA-S79ZZZ

Experimental stations: S78AA-S78AZ

Sierra Leone

Amateur stations: 9L followed by a digit (0-8, indicating the area or the province in which the station is situated) and by 2 letters

Digits indicating the areas
or provinces:

- 0 – Small craft and off-shore islands
- 1 – Western area
- 2 – Northern province
- 3 – Southern province
- 4 – Eastern province
- 7 – Novice licence
- 8 – Class B licence (VHF/UHF)

Note: Foreign radio amateurs with temporary licence must use 9L followed by a stroke (/) and their own call sign.

Singapore (Republic of)

Amateur stations: 9V1AA-9V1ZZ

Experimental stations: 9V2A-9V2ZZ

Note: 9V0 followed by 2 or 3 letters is authorised to amateur stations on special occasions.

Sint Maarten (Dutch part)

Amateur stations: PJ7AA-PJ7ZZZ

Slovak Republic

Amateur stations: OM0AA-OM8ZZZ
OM0A-OM9Z*
OM9AA-OM9ZZ**
OM9AAA-OM9SZZ***

* For international amateur contests.

** For extraordinary purposes and for period of persistence of such purposes only.

*** For foreigners transmitting from the Slovak Republic territory.

Experimental stations: OM9TAA-OM9ZZZ

Slovenia (Republic of)

Amateur stations: S5 followed by a digit and by 1, 2 or 3 letters

Solomon Islands

Amateur stations and
experimental stations: H44AA-H44ZZ

South Africa (Republic of)

Amateur stations: ZR*, ZS** or ZU*** followed by a digit (indicating the province in which the station is situated) and by 1, 2 or 3 letters characterizing the radio amateur

Digits indicating the provinces:

- 1 – Western Cape
- 2 – Eastern Cape
- 3 – Northern Cape
- 4 – Free State
- 5 – Kwazulu-Natal
- 6 – Gauteng, North-West Province, Mpumalanga, Northern Province
- 7 – Sanae Antarctica
- 8 – Marion Island
- 9 – Namibia
- 0 – DIG repeaters and bulletins boards

- * Full licence except VHF.
- ** Full licence.
- *** Novice licence.

Experimental stations: ZT followed by a digit and 1, 2 or 3 letters

Spain

Amateur stations: One of the groups EA, EB or EC followed by a digit (indicating the province in which a fixed station is located or in which the licensee of a mobile station resides) and by a group of not more than 3 letters.

The second letter of groups EA, EB and EC indicates that the stations are of class A, B or C, respectively.

Temporary call signs: Groups ED, EE and EF are used instead of EA, EB and EC; the second letter D, E or F means the same as the letters A, B and C (class of licence).

Sri Lanka (Democratic Socialist Republic of)

Amateur stations: 4S5 followed by 2 or 3 letters – Novice class B (VHF only)
4S6 followed by 2 or 3 letters – Novice class A
4S7 followed by 2 or 3 letters – General/Advanced class

Experimental stations: 4P3 followed by 2 letters

- Notes:**
- i) Local radio amateurs who have received licence by submitting licences issued from foreign administrations will use 4S7 followed by 3 letters with last letter as R.
 - ii) Visiting radio amateurs will use 4S7 followed by home call sign.
 - iii) Foreign radio amateurs from administrations having reciprocal agreement will use 4S7 followed by 3 letters with last letter as G.

Suriname (Republic of)

Amateur stations and experimental stations: PZ followed by a digit (2-9) and by a group of not more than 3 letters

Sweden

Amateur stations: SA, SI, SJ, SK, SL or SM (exceptionally 7S or 8S) followed by a digit and by 1, 2 or 3 letters
SH followed by a digit and by 3 letters

Switzerland (Confederation of)

Amateur stations: HB9 or HB3* followed by 4 characters, the last of which shall be a letter

* Novice licence.

Syrian Arab Republic

Amateur stations and experimental stations: YK followed by a digit (indicating the zone in which the station is situated) and by 1, 2 or 3 letters

Digits indicating the zones:

- 1 – Southern Region
- 2 – Northern Region
- 3 – Eastern Region
- 4 – Western Region
- 8 – Beacons
- 9 – Groups of foreign radio amateurs
- 0 – Club stations

Notes: i) Foreign individual radio amateurs will use YK followed by a stroke (/) and their home call sign.
ii) Only for special events the radio amateurs will use 6C followed by a digit and by a group of not more than 3 letters.

Tanzania (United Republic of)

Amateur stations: 5H3AA-5H3ZZ – Mainland
5H1AA-5H1ZZ – Zanzibar

Thailand

Amateur stations: E2 or HS followed by a digit (indicating the area in which the station is situated) and by 2 or 3 letters

Digits indicating the areas:

- 0, 1 – Bangkok, Samut Prakan, Pathum Thani, Nonthaburi, Phra Nakhon Si Ayutthaya, Angthong, Saraburi, Lop Buri, Sing Buri, Chainat
- 2 – Chon Buri, Rayong, Chanthaburi, Trat, Chachoengsao, Nakhon Nayok, Prachin Buri, Srakaew
- 3 – Nakhon Ratchasima, Chaiyaphum, Buriram, Surin, Sisaket, Ubon Ratchathani, Yasothon, Amnat Chareon
- 4 – Khon Kaen, Loei, Nong Khai, Udon Thani, Maha Sarakham, Kalasin, Sakon Nakhon, Mukdahan, Nakhon Phanom, Roi Et, Nong Bua Lum Phu
- 5 – Mae Hong Son, Chiang Mai, Lamphun, Lampang, Phrae, Uttaradit, Nan, Chiang Rai, Phayao
- 6 – Nakhon Sawan, Uthai Thani, Kamphaeng Phet, Tak, Phichit, Sukhothai, Phitsanulok, Phetchabun
- 7 – Ratchaburi, Samut Sokhon, Samut Songkhram, Nakhon Pathom, Suphan Buri, Kanchanaburi, Phetchaburi, Prachuap Khiri Khan
- 8 – Nakhon Si Thammarat, Krabi, Phangnga, Ranong, Surat Thani, Chumphon, Phuket
- 9 – Songkhla, Pattani, Yala, Narathiwat, Trang, Phatthalung, Satun

Experimental stations: E22AAA-E22AZZ

Tonga (Kingdom of)

Amateur stations: A35 followed by 2 letters

Experimental stations: A35 followed by 3 letters, the first of which shall be the letter X

Trinidad and Tobago

Amateur stations and experimental stations: 9Y4AA-9Y4ZZ

Tunisia

Amateur stations: 3V8AA-3V8ZZ

Experimental stations: TS8AA-TS8ZZ

Tuvalu

Amateur stations: T20AA-T29ZZ

Experimental stations: T22AA-T29ZZ

Uganda (Republic of)

Amateur stations: 5X5AA-5X5ZZ

Ukraine

Amateur stations and experimental stations: UR, US, UT, UU, UV, UW, UX, UY, UZ, EM, EN or EO followed by a digit (0-9) and by 2 or 3 letters

United Arab Emirates

Amateur stations: A61 followed by a group of not more than 3 letters

Experimental stations: A62 followed by a group of not more than 3 letters

United Kingdom of Great Britain and Northern Ireland

Amateur and experimental stations	
<i>Type of licence</i>	<i>Form of call signs</i>
Full/advanced/Club ^{1) 2)}	G followed by a digit (0-8) and by 2 or 3 letters
	M followed by a digit (0, 1, 5) and by 3 letters
Intermediate ³⁾	2E followed by a digit (0, 1) and by 3 letters
Foundation ¹⁾	M3 followed by 3 letters
Repeater stations	GB3 followed by 2 letters
Beacon stations	GB3 followed by 3 letters
Data packet node stations	GB7 followed by 2 letters
Data packet mailbox stations	GB7 followed by 3 letters
Automatic position reporting system gateway stations	MB7U followed by 2 letters
Simplex internet gateway (unattended) stations	MB7I followed by 2 letters
Special event stations (temporary)	GB followed by a digit (0-2, 4-6, 8) and by 2 or 3 letters
Special – Special event stations (temporary)	GB followed by 2 or 3 digits (0-9) and by 2 or 3 letters
Special contest stations (temporary)	G followed by a digit (0-9) and by a letter M followed by a digit (0-9) and by a letter

(See cont.)

United Kingdom of Great Britain and Northern Ireland *(continued)*

<i>Overseas territories</i>	<i>Form of call signs</i>
Anguilla	VP2E followed by 2 letters
Montserrat	VP2M followed by 2 letters
British Virgin Islands	VP2V followed by 2 letters
Turks and Caicos Islands	VP5 followed by 3 letters
Pitcairn Island and dependencies (Henderson, Ducie and Oeno Islands)	VP6 followed by 3 letters
Falkland Islands (Malvinas) and dependencies (South Georgia, South Sandwich Islands) Antarctic Territories	VP8 followed by 3 letters – full licence VP8 followed by 4 letters – special licence (144-146 MHz domestic use only, no examination)
Bermuda	VP9 followed by 3 letters
Turks and Caicos Islands	VQ5 followed by 3 letters
Cayman Islands	VQ6 followed by 3 letters
British Indian Ocean Territory (BIOT) (Diego Garcia and Chagos Archipelago)	VQ9 followed by 3 letters
Gibraltar	ZB0, ZB2 or ZB3 followed by 3 letters
UK Sovereign Bases, Cyprus (Akrotiri and Dhekelia)	ZC4 followed by 3 letters
Saint Helena	ZD7 followed by 1 to 3 letters
Ascension Island	ZD8 followed by 1 to 3 letters
Tristan da Cunha and Gough Island	ZD9 followed by 1 to 3 letters
Cayman Islands – Grand Cayman	ZF1 or ZF2 followed by 3 letters
Cayman Islands – Little Cayman	ZF8 followed by 3 letters
Cayman Islands – Cayman Brac	ZF9 followed by 3 letters

1) Where the licensee's main station address or a special contest station address is in the location listed below and operation is from that address, the call sign is amended by the insertion of a letter after the first character of the call signs indicated in the table above in accordance with the list as detailed below:

- None – England
- U – Guernsey
- D – Isle of Man
- J – Jersey
- I – Northern Ireland
- M – Scotland
- W – Wales

2) Where a club call sign is issued in the locations listed below, the call sign is amended by the insertion of a letter after the first character of the call signs indicated in the table above, in accordance with the list as detailed below:

- X – England
- P – Guernsey
- T – Isle of Man
- H – Jersey
- N – Northern Ireland
- S – Scotland
- C – Wales.

3) Where the licensee's main station address is in the location listed under note 1) and operation is from that address, the call sign is amended by the substitution of the second character of the call signs indicated in the table above in accordance with the list as detailed under note 1), with the provision that there is no substitution in the case of location in England.

United States of America

Amateur stations	
K0A-K9Z N0A-N9Z W0A-W9Z	Except the letter X after the digit
K0AA-K9ZZZ N0AA-N9ZZZ W0AA-W9ZZZ	
AA0A-AL9ZZ KA0A-KZ9ZZ NA0A-NZ9ZZ WA0A-WZ9ZZ	
KA0AAA-KZ9ZZZ WA0AAA-WZ9ZZZ	Except the letter X after the digit
Experimental stations	
AA2XAA-AE9XZZ AL2XAA-AL9XZZ KA2XAA-KZ9XZZ WA2XAA-WZ9XZZ	

Uruguay (Eastern Republic of)

Amateur stations: CX followed by a digit (1-9) and a group of not more than 3 letters, the first indicating the department in which the station is situated

Experimental stations: CV, CW or CX followed by a digit (1-9) and a group of not more than 3 letters

Vanuatu (Republic of)

Amateur stations: YJ8 followed by 2 letters (usually the initials of the licensed radio amateur)
YJ8N* followed by 2 letters
YJ8V** followed by 2 letters

* For amateur stations operated by beginners.

** For restricted licensees' amateur stations (VHF).

Vatican City State

Amateur stations: HV followed by a digit and 2 letters

Venezuela (Bolivarian Republic of)

Amateur stations: YV, YX or 4M followed by a digit and 3 letters

Viet Nam (Socialist Republic of)

Amateur stations: XV or 3W followed by a digit (2-9, indicating the area in which the station is located) and by 1 to 4 letters

Zambia (Republic of)

Amateur stations: 9J2 followed by 2 characters, the last of which shall be a letter

Zimbabwe (Republic of)

Amateur stations: Z21AA-Z29ZZ

AMENDMENTS

Amendment No.	Operational Bulletin No.	Administration
1		
2		
3		
4		
5		
6		
7		
8		
9		
10		
11		
12		
13		
14		
15		
16		
17		
18		
19		
20		
21		
22		
23		
24		
25		
26		
27		
28		
29		
30		