

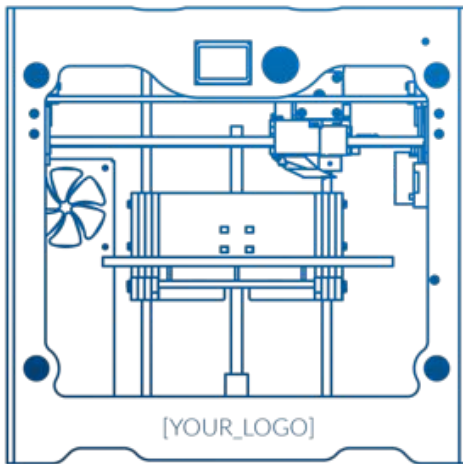


# 3DKreator

## Key Facts

- **3DKreator has been present on the market since 2013.**
- **In 2014, 3DKreator ventured into business with investment fund Internet Ventures (MCI Management/ The National Capital Fund).**
- **The driving force of the company is :**
  - **Production and sales of the 3D printers: (Motion and white label machines)**
  - **Research into universal and patentable solutions ready to be implemented to technologies produced by other companies.**

# Customize It – from tiniest details to the biggest piece



Mounted or detachable side panels.

Multiple language menu versions.

Wide range of accessories:

hot end  
panel



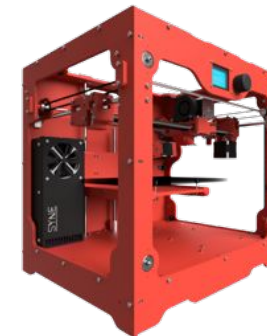
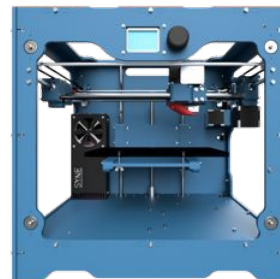
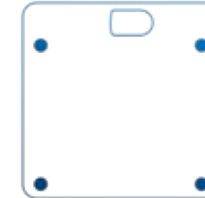
filament



magnetic print bed

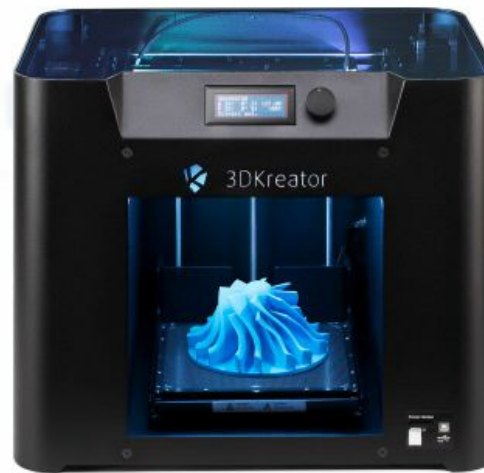


acrylic



We've covered all bases,  
you can focus on the business itself and reap what you sow.

# Kreator Motion+



## Kreator Motion+

3D printer

The new control board - quiet and more accurate printing  
Emergency Power Supply  
Filament flow sensor  
OLED screen  
Heatbed „quick change” system  
Hot-end „quick change” system  
Different nozzle diameters  
New extruder  
Improved cooling system  
SYNE air filtration technology


# Print It Safe, Print It



SYNE is a breakthrough on the 3D printing market. Active Electronic Air Filtration System is based on the process of photocatalysis. The active air filtration unit installed inside the printer neutralizes all the invisible hazardous compounds, fumes and even smells appearing during the 3D printing process.

SYNE means healthy 3D printing.  
Patent pending.



		HEPA	ULPA
Diameter of captured particles	up to 0,3 $\mu$	up to 0,3 $\mu$	up to 0,12 $\mu$
Chemicals neutralization	YES	NO	NO

**The ONLY air filtration system in 3D printing that actually neutralize chemicals!**

## Goals and challenges for future of 3D printing

- To make 3D printing safe and clean / free from hazardous materials. Today many people work in the same room as the machine. It means people breath the fumes „full of plastic“. It can (and should) be stopped without affecting the technology itself.
- To make sure that this technology will help young people improve imagination and choose career path. To deliver reliable and safe 3D printers to schools and other educational units.
- To present the full potential and benefits of 3D printing for business. It is great technology, but many people don't knowe where to start. It should be more easy with access 3D printable models.
- To standarize law due to 3D printing technology. Due to company registration or health and safety rules.