

The 5G-VINNI Project

Building an Open 5G Infrastructure for Verticals The Patras facility

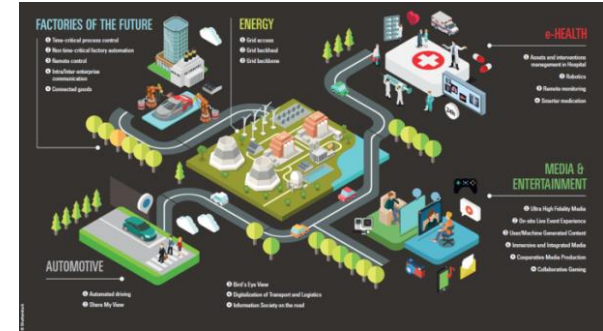
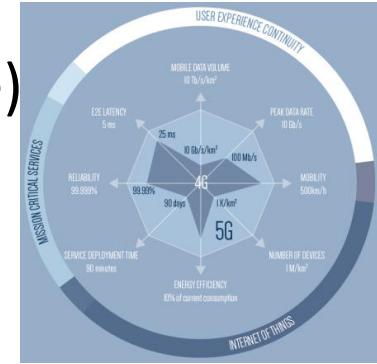
Spyros Denazis

Associate Professor
Electrical & Computer Engineering Department
University of Patras

*Towards 5G Enabled Gigabit Society - ITU Forum
hosted by Ministry of Digital Policy, Telecommunications & Media of Greece
11-12 October 2018 | Athens, Greece*

5G-VINNI (5G Verticals INNOvation Infrastructure)

- Build an open large scale 5G End-to-End facility that can
 - demonstrate that key 5G network KPIs can be met
 - be validated, accessed and used by vertical industries (e.g. in ICT-19 projects) to test use cases and validate 5G KPIs.
- Duration: 3 years, budget: 19,998 M€
- Consortium: 23 partners (operators, vendors, academics, SMEs)
- External Stakeholder Board: Vertical industry



5G-VINNI Facility Sites

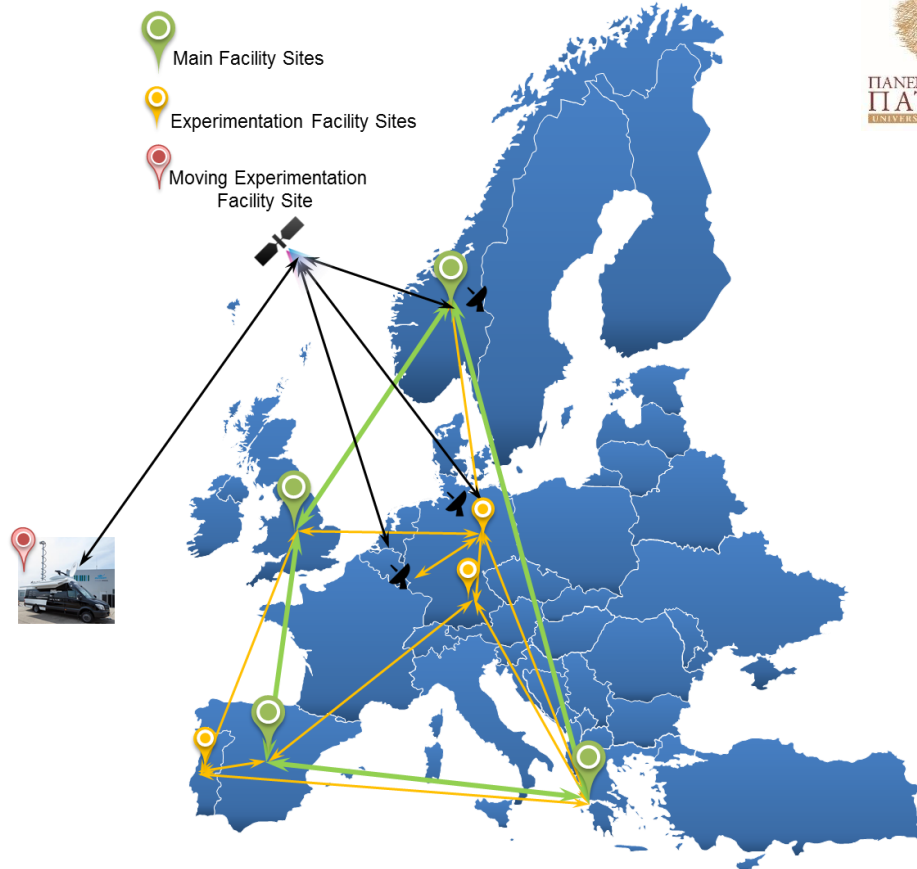
Main Facility sites: E2E 5G-VINNI facility that offers services to ICT-18-19-22 projects with well-defined Service Level Agreements.

- Norway (Oslo, Kongsberg)
- UK (Martlesham)
- Spain (Madrid)
- Greece (Patras)

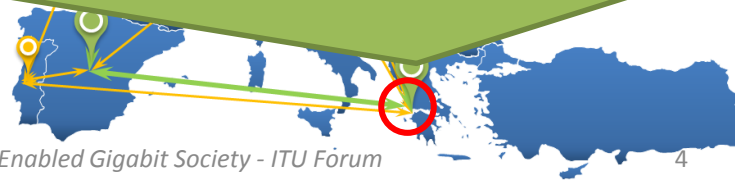
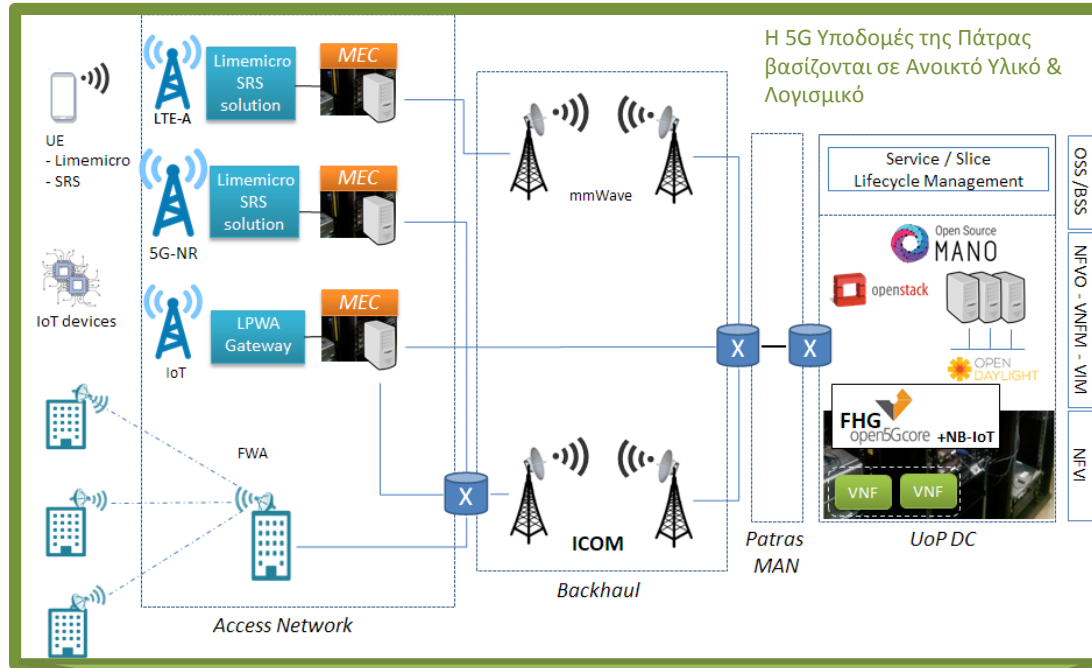
Experimentation Facility sites: provide environments for advanced focused experimentation and testing possibilities on elements and combinations of elements of the E2E model.

- Portugal (Aveiro)
- Germany (Berlin)
- Germany (Munich)

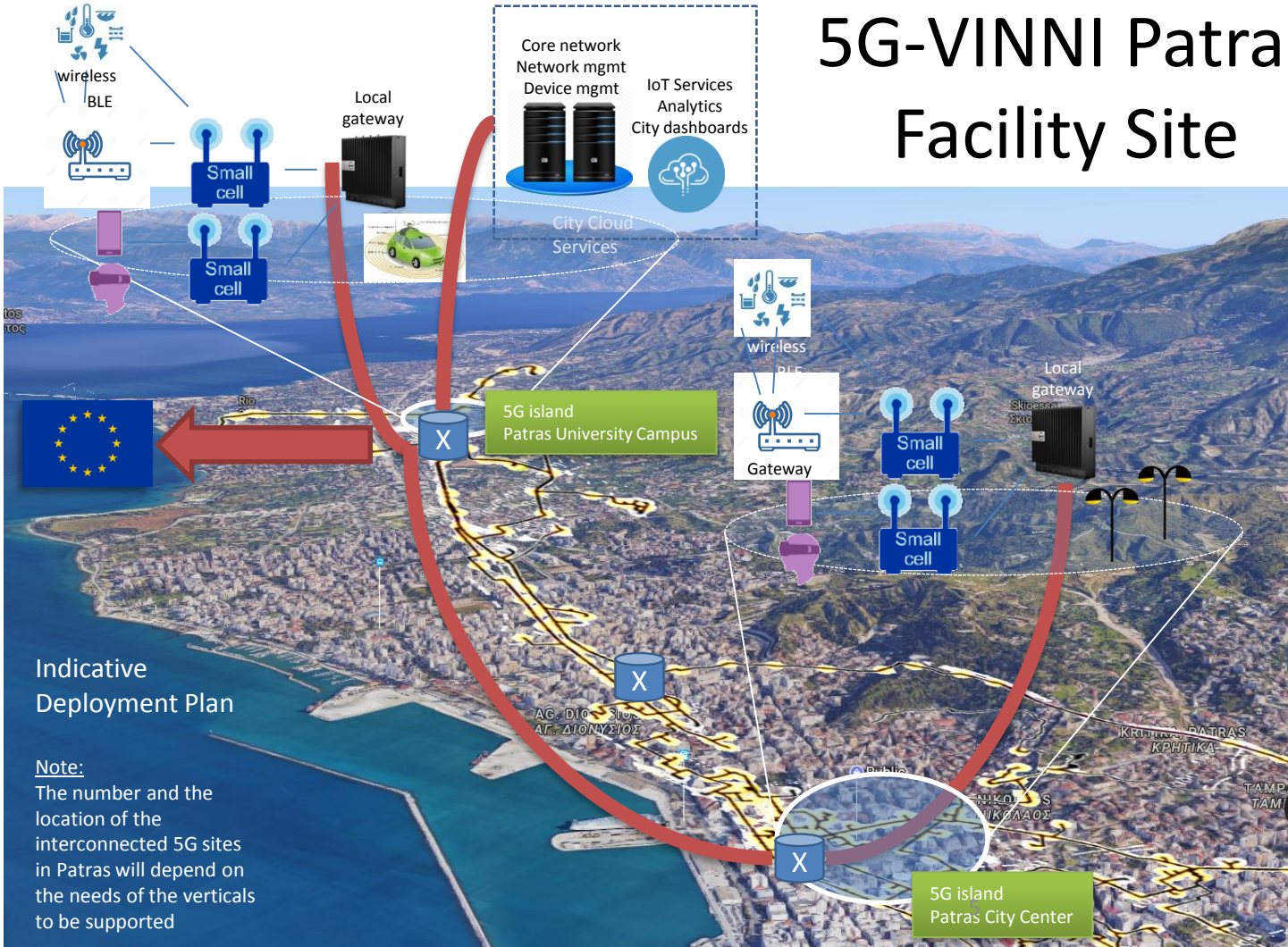
Moving Experimentation Facility site: satellite connected vehicle.



5G-VINNI Patras Facility Site



5G-VINNI Patras Facility Site



Indicative
Deployment Plan

Note:
The number and the
location of the
interconnected 5G sites
in Patras will depend on
the needs of the verticals
to be supported

Patras Area as a playground for Vertical Industries



Patras Area as a playground for Vertical Industries



Challenges & Next Steps

- Host Verticals across the city/region facilities
- Experiment with new business models
 - Enabled by 5G and Open technologies
- Synergies with national operators
- Expand our collaboration with local stakeholders (private or public)
 - Adding technologies
 - Engage in bilateral research & innovation activities
- **Blocking Factors**
 - Provisions of spectrum for a) Private Networks and b) for Research
 - See the Citizens Broadband Radio Service (3.5 GHz) in USA

THANK YOU!

Contact: Spyros Denazis, sdena@upatras.gr