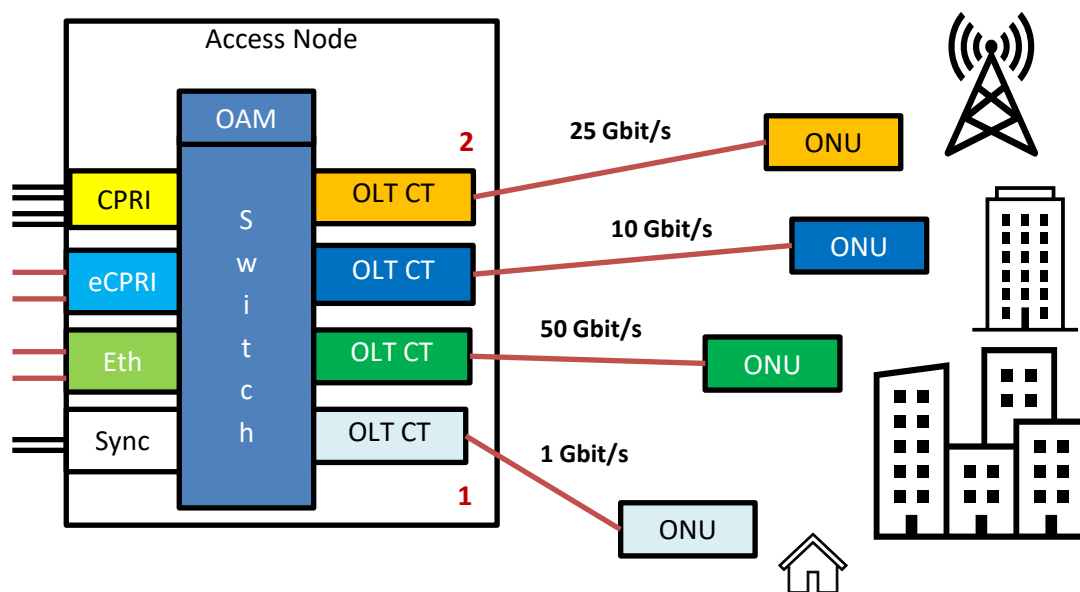


G.986 1 Gbit/s point-to-point optical access system

G.9806 Higher-speed bidirectional point-to-point

- Single fibre, point-to-point bi-directional (BiDi) transmission suite of recommendations for 1, and 10, 25 and 50 Gbit/s
- Optical budget classes cover up to 40 km with a minimal number of module types to simplify inventory and avoid gaps
- Full-service support with symmetric rates compatible with various wireless xhaul functional splits among other applications
- Powerful OAM&P capabilities providing a feature rich service management system to maximize commonality with PON operation
- A silent start feature to avoid alien ONU behaviours disturbing PONs when inserted by mistake



Additional functions added in ITU-T G.9806:

- Various mapping schemes of local OAM data provide payload transparency when needed
- Means to estimate the round trip delay for stringent time sensitive applications
- A point-to-point Id mimicking the PON-Id to help field engineers in ODN qualification and troubleshooting
- A power saving feature, i.e., line rate switching, enables dynamic adjustment of the line rate to the actual payload
- Maximal convergence in specifications with 802.3 broadens the optical component market

1. ITU-T G.986 – 1 Gbit/s point-to-point Ethernet-based optical access system

Describes a 1 Gbit/s point-to-point Ethernet-based optical access system for the optical access services including the optical distribution network (ODN) specification, the physical layer specification and the operation, administration and maintenance (OAM) specification.

2. ITU-T G.9806 – Higher-speed bidirectional, single fibre, point-to-point optical access system (HS-PtP)

Describes a higher speed bidirectional single fibre point-to-point optical access system than the data rate in existing ITU-T point-to-point access systems. It supports 10 Gbit/s, 25 Gbit/s and 50 Gbit/s for the optical access services including the optical distribution network (ODN) specification, the physical layer specification, services requirements and the operation, administration and maintenance (OAM) specification.