

International Telecommunication Union

ITU-T

TELECOMMUNICATION
STANDARDIZATION SECTOR
OF ITU

E.115

(05/2010)

SERIES E: OVERALL NETWORK OPERATION,
TELEPHONE SERVICE, SERVICE OPERATION AND
HUMAN FACTORS

International operation – General provisions concerning
Administrations

Computerized directory assistance

Recommendation ITU-T E.115



ITU-T E-SERIES RECOMMENDATIONS

OVERALL NETWORK OPERATION, TELEPHONE SERVICE, SERVICE OPERATION AND HUMAN FACTORS

INTERNATIONAL OPERATION	
Definitions	E.100–E.103
General provisions concerning Administrations	E.104–E.119
General provisions concerning users	E.120–E.139
Operation of international telephone services	E.140–E.159
Numbering plan of the international telephone service	E.160–E.169
International routing plan	E.170–E.179
Tones in national signalling systems	E.180–E.189
Numbering plan of the international telephone service	E.190–E.199
Maritime mobile service and public land mobile service	E.200–E.229
OPERATIONAL PROVISIONS RELATING TO CHARGING AND ACCOUNTING IN THE INTERNATIONAL TELEPHONE SERVICE	
Charging in the international telephone service	E.230–E.249
Measuring and recording call durations for accounting purposes	E.260–E.269
UTILIZATION OF THE INTERNATIONAL TELEPHONE NETWORK FOR NON-TELEPHONY APPLICATIONS	
General	E.300–E.319
Phototelegraphy	E.320–E.329
ISDN PROVISIONS CONCERNING USERS	E.330–E.349
INTERNATIONAL ROUTING PLAN	E.350–E.399
NETWORK MANAGEMENT	
International service statistics	E.400–E.404
International network management	E.405–E.419
Checking the quality of the international telephone service	E.420–E.489
TRAFFIC ENGINEERING	
Measurement and recording of traffic	E.490–E.505
Forecasting of traffic	E.506–E.509
Determination of the number of circuits in manual operation	E.510–E.519
Determination of the number of circuits in automatic and semi-automatic operation	E.520–E.539
Grade of service	E.540–E.599
Definitions	E.600–E.649
Traffic engineering for IP-networks	E.650–E.699
ISDN traffic engineering	E.700–E.749
Mobile network traffic engineering	E.750–E.799
QUALITY OF TELECOMMUNICATION SERVICES: CONCEPTS, MODELS, OBJECTIVES AND DEPENDABILITY PLANNING	
Terms and definitions related to the quality of telecommunication services	E.800–E.809
Models for telecommunication services	E.810–E.844
Objectives for quality of service and related concepts of telecommunication services	E.845–E.859
Use of quality of service objectives for planning of telecommunication networks	E.860–E.879
Field data collection and evaluation on the performance of equipment, networks and services	E.880–E.899
OTHER	E.900–E.999
INTERNATIONAL OPERATION	
Numbering plan of the international telephone service	E.1100–E.1199
NETWORK MANAGEMENT	
International network management	E.4100–E.4199

For further details, please refer to the list of ITU-T Recommendations.

Recommendation ITU-T E.115

Computerized directory assistance

Summary

Recommendation ITU-T E.115 specifies the protocol, called the directory assistance protocol, to be used for directory assistance information exchange among service providers. This supports assistance/inquiry as part of the international telephone operator service allowing detailed information about subscribers business categories, localities, provinces and streets to be retrieved. This Recommendation also gives a description of the principles and procedures to be followed in interconnecting different national computerized directory assistance services. It specifies a protocol that allows exchange of information retrieved from databases with very advanced search capabilities. It specifies two versions of the protocol. Version 1 specifies basic functions, while version 2 of the protocol provides enhancements and uses HTTP as the underlying service and uses XML for protocol encoding. Version 2 of the protocol provides support for different language groups and provides possibility for location-based services. Version 2.10 of the protocol provides important additions to allow directory assistance service providers to exchange information about the databases supported, the functionalities that are available and requirements on input quality.

History

Edition	Recommendation	Approval	Study Group
1.0	ITU-T E.115	1972-12-15	
2.0	ITU-T E.115	1976-10-08	
3.0	ITU-T E.115	1980-11-21	
4.0	ITU-T E.115	1984-10-19	
5.0	ITU-T E.115	1988-11-25	
6.0	ITU-T E.115	1991-03-11	I
7.0	ITU-T E.115	1993-03-12	I
8.0	ITU-T E.115	1995-02-21	
9.0	ITU-T E.115	2006-02-06	17
9.1	ITU-T E.115 (2006) Cor. 1	2006-06-13	17
10.0	ITU-T E.115	2007-05-29	17
11.0	ITU-T E.115	2008-05-29	17
12.0	ITU-T E.115	2010-05-29	17

FOREWORD

The International Telecommunication Union (ITU) is the United Nations specialized agency in the field of telecommunications, information and communication technologies (ICTs). The ITU Telecommunication Standardization Sector (ITU-T) is a permanent organ of ITU. ITU-T is responsible for studying technical, operating and tariff questions and issuing Recommendations on them with a view to standardizing telecommunications on a worldwide basis.

The World Telecommunication Standardization Assembly (WTSA), which meets every four years, establishes the topics for study by the ITU-T study groups which, in turn, produce Recommendations on these topics.

The approval of ITU-T Recommendations is covered by the procedure laid down in WTSA Resolution 1.

In some areas of information technology which fall within ITU-T's purview, the necessary standards are prepared on a collaborative basis with ISO and IEC.

NOTE

In this Recommendation, the expression "Administration" is used for conciseness to indicate both a telecommunication administration and a recognized operating agency.

Compliance with this Recommendation is voluntary. However, the Recommendation may contain certain mandatory provisions (to ensure, e.g., interoperability or applicability) and compliance with the Recommendation is achieved when all of these mandatory provisions are met. The words "shall" or some other obligatory language such as "must" and the negative equivalents are used to express requirements. The use of such words does not suggest that compliance with the Recommendation is required of any party.

INTELLECTUAL PROPERTY RIGHTS

ITU draws attention to the possibility that the practice or implementation of this Recommendation may involve the use of a claimed Intellectual Property Right. ITU takes no position concerning the evidence, validity or applicability of claimed Intellectual Property Rights, whether asserted by ITU members or others outside of the Recommendation development process.

As of the date of approval of this Recommendation, ITU had not received notice of intellectual property, protected by patents, which may be required to implement this Recommendation. However, implementers are cautioned that this may not represent the latest information and are therefore strongly urged to consult the TSB patent database at <http://www.itu.int/ITU-T/ipr/>.

© ITU 2010

All rights reserved. No part of this publication may be reproduced, by any means whatsoever, without the prior written permission of ITU.

CONTENTS

	Page
1 Scope	1
2 Normative references.....	1
3 Definitions	2
4 Abbreviations.....	3
5 Conventions	4
6 Basic concepts and models	4
6.1 Functional model.....	4
6.2 Service models.....	7
7 Principles for the organization of an interconnected computerized international information service	9
8 Service specification.....	9
8.1 Inquiry information	10
8.2 Reply information.....	10
8.3 Conversion.....	10
8.4 Version 2 extensibility.....	10
8.5 Functionality.....	10
9 Common protocol specification elements	14
9.1 Character subsets and encoding.....	14
9.2 Filter concept.....	24
9.3 Matching and matching rules	24
9.4 Paging.....	25
9.5 Hierarchical groups	25
9.6 The keyword concept of version 1	25
SECTION 1 – VERSION 1.00 OF THE ITU-T E.115 PROTOCOL.....	27
10 Version 1 of the directory assistance protocol specification	27
10.1 Overview	27
10.2 Inquiry format.....	27
10.3 Reply format.....	33
SECTION 2 – VERSION 2.00 AND 2.01 OF THE ITU-T E.115 PROTOCOL.....	40
11 Versions 2.00 and 2.01 of the directory assistance protocol specification.....	40
11.1 Overview	40
11.2 Inquiry format.....	40
11.3 Reply format.....	54
SECTION 3 – VERSION 2.10 OF THE ITU-T E.115 PROTOCOL.....	68
12 Version 2.10 of the directory assistance protocol specification	68
12.1 Overview	68
12.2 Convention for protocol diagrams.....	68

	Page
12.3	Structure of ITU-T E.115 message..... 69
13	DA transaction..... 69
13.1	Structure of DA inquiry/reply 69
13.2	DA inquiry header 70
13.3	DA inquiry data 74
13.4	DA reply 82
13.5	DA reply header 82
13.6	Subscriber reply data 84
13.7	Locality reply data 89
13.8	Business category reply data 90
13.9	Street reply data 91
13.10	County, state or province reply data..... 92
14	Directory transaction 93
14.1	Directory list inquiry header..... 93
14.2	Directory inquiry data..... 94
14.3	Directory reply header 94
14.4	Directory reply data 95
15	Functionality List..... 96
15.1	Overview 96
15.2	Functionality inquiry header..... 96
15.3	Functionality list reply header 97
15.4	Functionality reply data..... 98
SECTION 4 – UNDERLYING PROTOCOL SUPPORT 108	
16	Fixed header protocol (FHP) 108
16.1	Introduction 108
16.2	Security context 109
16.3	Negotiation result 110
16.4	Data transfer phase 110
16.5	Exception conditions 110
16.6	Format of FHP protocol elements 111
16.7	Fields common for all message types..... 111
16.8	Specific fields 112
16.9	Use of the service provided by TCP 113
17	Use of the service provided by the HTTP 114
17.1	Introduction 114
17.2	Support levels 114
17.3	Use of the HTTP POST 115
17.4	Requested service and protocol version selection 115
17.5	Exception conditions 116

	Page
18 Operator's manual	116
Annex A – Directory assistance keywords of directory assistance protocol version 1	117
A.1 Functional keywords table	117
A.2 Descriptive keywords table	125
Annex B – Directory assistance protocol version 1 in ASN.1	126
Annex C – Directory assistance protocol version 2.00 in ASN.1	128
Annex D – Directory assistance protocol version 2.00 in XSD	132
Annex E – Directory assistance protocol version 2.01 in ASN.1	138
Annex F – Directory assistance protocol version 2.01 in XSD	142
Annex G – Directory assistance protocol version 2.10 in ASN.1	149
Annex H – Directory assistance protocol version 2.10 in XSD	157
Annex I – Message codes for Recommendation ITU-T E.115	172
Appendix I – NACE nomenclature	177
I.1 About NACE	177
I.2 NACE structure	177
I.3 NACE at work	177
I.4 Extract from NACE	178
Appendix II – Examples of BER encodings	179
II.1 Introduction	179
II.2 Example of ASN.1 BER encoding of the DA protocol version 1	179
Appendix III – ISO/IEC 10646, UTF8-encoding and relationship with ISO/IEC 8859-x	182
III.1 Introduction	182
III.2 UCS transformation format 8 (UTF-8)	182
III.3 BASIC LATIN and LATIN-1 SUPPLEMENT subsets	183
III.4 LATIN EXTENDED-A subset and relationship to ISO/IEC 8859-2/3/4	185
III.5 CYRILLIC subset and relationship to ISO/IEC 8859-5	185
III.6 BASIC GREEK subset and relationship to ISO/IEC 8859-7	186
III.7 ISO/IEC 10646 ARABIC subset and relationship to ISO/IEC 8859-6	188
Bibliography	189

Introduction

A directory assistance (DA) service allows the public to acquire primarily telephone number information, but also information about e-mail addresses; worldwide web addresses (URLs); and other addressing information necessary for establishing communication.

Service providers offering a DA service keep subscriber information typically in very efficient and elaborate databases. Service providers need to access each other's databases to provide a global service. This Recommendation specifies the protocol, called the DA protocol, to be used for DA information exchange among service providers.

This Recommendation specifies two versions of the DA protocol:

- a) version 1 covers basic DA functionality using the ASN.1 basic encoding rules (BER) encoding as defined by [b-ITU-T X.690]; and
- b) version 2 covers some enhanced functions using XML encodings obtained either using the ASN.1 XML encoding rules (XER) or using the XSD (the same XML results in both cases). This version is in three different releases:
 - 2.00 is provided as version 2 of the 2007 edition of this Recommendation;
 - 2.01 was added in the 2008 edition of this Recommendation, and it provides additional communications address support;
 - 2.10 has been added into this edition of this Recommendation. It provides capabilities for announcing access to different directory systems and for announcing the capabilities of these directory systems.

Version 1 shall be supported. Support of version 2 is optional.

Annex A, which is an integral part of this Recommendation, specifies the syntax and semantics of DA keywords for version 1, giving details on how an inquiry shall be processed and how supplementary information may be supplied in replies.

Annex B, which is an integral part of this Recommendation, gives the formal ASN.1 specification of version 1 of the DA protocol.

Annex C, which is an integral part of this Recommendation, gives the formal ASN.1 specification of version 2.00 of the DA protocol.

Annex D, which is an integral part of this Recommendation, gives the formal XSD specification of version 2.00 of the DA protocol.

Annex E, which is an integral part of this Recommendation, gives the formal ASN.1 specification of version 2.01 of the DA protocol.

Annex F, which is an integral part of this Recommendation, gives the formal XSD specification of version 2.01 of the DA protocol.

Annex G, which is an integral part of this Recommendation, gives the formal ASN.1 specification of version 2.10 of the DA protocol.

Annex H, which is an integral part of this Recommendation, gives the formal XSD specification of version 2.10 of the DA protocol.

Annex I, which is an integral part of this Recommendation, lists the message codes returned in replies, and it lists the conditions under which they are generated.

Appendix I, which is not an integral part of this Recommendation, gives a short introduction to the NACE code used for referring to business categories.

Appendix II, which is not an integral part of this Recommendation, gives examples of encoding of the version 1 directory assistance messages using the ASN.1 basic encoding rules.

Appendix III provides tutorial material on [ISO/IEC 10646], UTF8-encoding and relationship with [ISO/IEC 8859-x].

Recommendation ITU-T E.115

Computerized directory assistance

1 Scope

This Recommendation describes the principles, procedures and protocols to be followed on organizing and operating a computerized international directory assistance service.

2 Normative references

The following ITU-T Recommendations and other references contain provisions which, through reference in this text, constitute provisions of this Recommendation. At the time of publication, the editions indicated were valid. All Recommendations and other references are subject to revision; users of this Recommendation are therefore encouraged to investigate the possibility of applying the most recent edition of the Recommendations and other references listed below. A list of the currently valid ITU-T Recommendations is regularly published. The reference to a document within this Recommendation does not give it, as a stand-alone document, the status of a Recommendation.

- [ITU-T E.164] Recommendation ITU-T E.164 (2005), *The international public telecommunication numbering plan*.
- [ITU-T T.50] Recommendation ITU-T T.50 (1992), *International Reference Alphabet (IRA) (formerly International Alphabet No. 5 or IA5) – Information technology – 7-bit coded character set for information interchange*.
- [ISO 639-3] ISO 639-3:2007, *Codes for the representation of names of languages – Part 3: Alpha-3 code for comprehensive coverage of languages*.
<http://www.iso.org/iso/iso_catalogue/catalogue_tc/catalogue_detail.htm?csnumber=39534>
- [ISO 3166-1] ISO 3166-1:2006, *Codes for the representation of names of countries and their subdivisions – Part 1: Country codes*.
<http://www.iso.org/iso/search.htm?qt=3166&published=on&active_tab=standards>
- [ISO 8601] ISO 8601:2004, *Data elements and interchange formats – Information interchange – Representation of dates and times*.
- [ISO/IEC 8859-x] ISO/IEC 8859 (all parts), *Information technology – 8-bit single-byte coded graphic character sets*.
<http://www.iso.org/iso/search.htm?qt=8859&published=on&active_tab=standards>
- [ISO/IEC 10646] ISO/IEC 10646:2003, *Information technology – Universal Multiple-Octet Coded Character Set (UCS)*.
<http://www.iso.org/iso/iso_catalogue/catalogue_tc/catalogue_detail.htm?csnumber=39921>
- [IETF RFC 791] IETF RFC 791 (1981), *Internet Protocol*.
<<http://www.ietf.org/rfc/rfc0791.txt?number=791>>
- [IETF RFC 793] IETF RFC 793 (1981), *Transmission Control Protocol – DARPA Internet Program – Protocol specification*.
<<http://www.ietf.org/rfc/rfc0793.txt?number=793>>
- [IETF RFC 822] IETF RFC 822 (1982), *Standard for the format of ARPA Internet Text Messages*.
<<http://www.ietf.org/rfc/rfc0822.txt?number=822>>
- [IETF RFC 1321] IETF RFC 1321 (1992), *The MD5 Message-Digest Algorithm*.
<<http://www.ietf.org/rfc/rfc1321.txt?number=1321>>

- [IETF RFC 1738] IETF RFC 1738 (1994), *Uniform Resource Locators (URL)*.
<<http://www.ietf.org/rfc/rfc1738.txt?number=1738>>
- [IETF RFC 2616] IETF RFC 2616 (1999), *Hypertext Transfer Protocol – HTTP/1.1*.
<<http://www.ietf.org/rfc/rfc2616.txt?number=2616>>
- [IETF RFC 2617] IETF RFC 2617 (1999), *HTTP Authentication: Basic and Digest Access Authentication*.
<<http://www.ietf.org/rfc/rfc2617.txt?number=2617>>
- [IETF RFC 3986] IETF RFC 3986 (2005), *Uniform Resource Identifier (URI): Generic Syntax*.
<<http://www.ietf.org/rfc/rfc1738.txt?number=3986>>
- [IETF RFC 4346] IETF RFC 4346 (2006), *The Transport Layer Security (TLS) Protocol Version 1.1*.
<<http://www.ietf.org/rfc/rfc4346.txt?number=4346>>

3 Definitions

This Recommendation defines the following terms:

- 3.1 bilateral agreement:** Certain protocol elements and keywords shall not be sent to and/or from a replying system unless there is a prior bilateral agreement between the two parties (version 1 only).
- 3.2 communications address:** An address through which a resource is accessible, e.g., a telephone number, an e-mail address, a URL, etc.
- 3.3 consumer:** The ultimate initiator of an inquiry and the ultimate destination of the reply. (A directory assistance operator is a consumer.)
- 3.4 descriptive keyword:** An item that further qualifies a field within a reply (version 1 only).
- 3.5 ITU-T E.115 character subset:** A collection of characters selected from [ISO/IEC 10646] for a particular purpose (version 2 only).
- 3.6 functional keyword:** An item that further qualifies an inquiry (version 1 only).
- 3.7 inquiring system:** The component of a directory assistance system that issues inquiry messages to a replying system.
- 3.8 inquiry (message):** The message as formatted by an inquiring system and sent to a replying system.
- 3.9 listing:** The information about a subscriber as stored in the database of a service provider.
- NOTE – Other directory specifications use the term *entry*.
- 3.10 reply (message):** The message as formatted by a replying system and sent to the inquiring system as the reply to an inquiry.
- 3.11 replying system:** The component of a directory assistance system that receives inquiry messages from an inquiring system and replies to such inquiries.
- 3.12 requested service:** An indication of the service to be provided based on the user type, e.g., operator or public user.
- 3.13 selection:** A term used for version 1, version 2.00 and version 2.01 for the part of a listing that is returned to an inquiring system as the result of an enquiry.
- 3.14 service provider:** An organization that has access to a database with subscriber information and makes that information available on request.

3.15 socket: An endpoint of a two-way communication link between two programs running on the network. A socket is bound to a port number to allow the TCP layer to identify the application for an incoming message.

3.16 transaction: An inquiry and its corresponding reply.

3.17 transit: Routing of an inquiry through one DA system to another DA system and routing the reply back on the same route.

3.18 vendor: An organization that sells the inquiring and/or replying system software.

4 Abbreviations

This Recommendation uses the following abbreviations:

AISS	Additional Information for a Selective Search
ASN.1	Abstract Syntax Notation One
BER	ASN.1 Basic Encoding Rules
DA	Directory Assistance
FTP	File Transfer Protocol
GSM	Global System for Mobile communications
HTTP	HyperText Transfer Protocol
IP	Internet Protocol
IRA	International Reference Alphabet
ISDN	Integrated Services Digital Network
MD5	Message Digest 5
MMS	Multimedia Messaging Service
PBX	Private Branch Exchange
PSTN	Public Switched Telephone Network
RC4	Ron's Code 4
SMS	Short Message Service
TCP	Transmission Control Protocol
TLS	Transport Layer Security (protocol)
UCS	Universal Multiple-Octet Coded Character Set
UMTS	Universal Mobile Telecommunications System
URI	Uniform Resource Identifier
URL	Uniform Resource Locator
UTF-8	UCS Transformation Format 8
XER	XML Encoding Rules of ASN.1
XML	eXtensible Markup Language
XSD	XML Schema Definition

5 Conventions

The term "shall" is used whenever an absolute requirement is specified. The term "shall not" is used to specify that something is absolutely forbidden. The term "should" is used whenever something is recommended. The term "should not" is used whenever something is discouraged. The term "may" is used to specify that something is optional.

When protocol fields are referenced in normal text, they are differentiated from normal text by presenting them in **bold Courier New** with a typeface one point less than the surrounding normal text.

An optional field or a field with a default is considered not present if the field is not included at all. For version 1 only, a field is also considered as not present if it has zero length.

Whenever version 2 without any release indication is mentioned, it applies to all releases of version 2.

6 Basic concepts and models

6.1 Functional model

6.1.1 Introduction

Figure 1 shows the relationship among the different components constituting a directory assistance system.

The left part of the figure reflects the external behaviour of a directory system in the form of a set of protocol specifications forming a layered structure. Adherence to these protocols ensures interoperability among systems developed by different vendors at different times. This Recommendation does not specify the structure of the directory system application or dictate any particular database technology, only the external behaviour of the system.

The layers below the socket interface (see clause 6.1.6) are typically part of the operating system and provide a service to the actual directory assistance layers through the socket interface.

The transmission control protocol/Internet Protocol (TCP/IP) suite is used for interconnecting DA directories. These protocols are used widely and support is integrated within most operating systems (Windows, UNIX, etc.). Use of this well-established protocol suite provides a stable environment for directory assistance interworking. It allows communication over the Internet and private networks (VPNs, frame relay, leased lines, LANs, etc.).

Two modes of communication are defined:

- for version 1, communication using the TCP/IP by the use of the service provided by an enhancement protocol defined in this Recommendation called the fixed header protocol (FHP); and
- for version 2, communication is based on the use of the hypertext transfer protocol (HTTP), possibly with the addition of the transport layer security (TLS) protocol, a combination referred to as HTTPS.

The following clauses introduce the components relevant to this Recommendation.

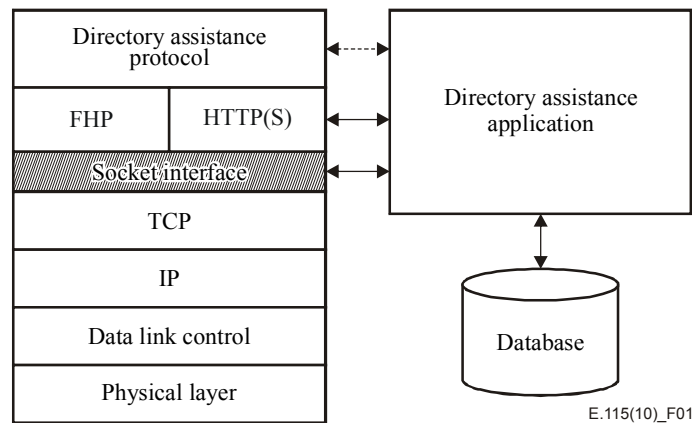


Figure 1 – Functional model for directory assistance

6.1.2 Directory assistance application

The directory assistance application is responsible for the directory assistance by interfacing to and driving the directory assistance protocol. When version 1 of this protocol is used, directory assistance application also drives the FHP, and it drives the TCP through the socket interface. When version 2 of the directory assistance protocol is used, directory assistance application also drives the HTTP(S) interface.

The directory assistance application performs the actual processing of the information transmitted over the protocol and interfaces to the directory information database, as required. Although operation of this application is not subject to standardization, there are some minimum requirements on the services provided as specified by clauses 7 and 8.

6.1.3 Directory assistance protocol

The directory assistance (DA) protocol is the protocol carrying the actual information processed by the directory assistance application.

This Recommendation specifies two versions of this protocol.

- Version 1 reflects corrections of the protocol specified by the 2006 edition of this Recommendation with some approved enhancements. The details of version 1 are specified in Section 1 (clause 10) and the formal specification is given in Annex B using the ASN.1 notation.
- Version 2 provides substantial enhancements over version 1. It is available in three releases:
 - a) Versions 2.00 and 2.01 are specified in Section 2 (clause 11). The formal specification for 2.00 is given in Annex C using the ASN.1 notation and in Annex D using the XML schema definition (XSD) notation. The formal specification for 2.01 is given in Annex E using the ASN.1 notation and in Annex F using the XML schema definition (XSD) notation.
 - b) Version 2.10 is specified in Section 3 (clauses 12-15). The formal specification is given in Annex G using the ASN.1 notation and in Annex H using the XML schema definition (XSD) notation.

NOTE – The set of XML documents produced by applying the ASN.1 XER to Annex C, E or G is the same as the set of XML documents produced according to the XSD in Annexes D, F and H, respectively.

Common protocol specifications are given in clause 9.

6.1.4 Fixed header protocol (FHP)

The fixed header protocol (FHP) establishes the communication environment for the DA protocol, version 1.

The FHP provides the following services to the DA protocol:

- performs authentication of peer systems;
- negotiates the type of service requested; and
- optionally performs encryption of inquiries and replies to allow communication over unsafe networks.

The details of this protocol are specified in clause 16.

6.1.5 Hypertext transfer protocol (HTTP)

HTTP 1.1 is used for version 2. HTTP is part of the World Wide Web global information initiative. It is widely supported by most platforms. It includes request methods, error codes and headers to provide enhancements to TCP.

Security is provided by HTTP authentication [IETF RFC 2617] and the transport layer security protocol [IETF RFC 4346].

The POST method shall be used for all HTTP requests.

6.1.6 Socket interface

A TCP socket interface is a conceptual programming interface to the service provided by the TCP layer. It is identified by a combination of an Internet Protocol (IP) address as defined by [IETF RFC 791] and a transmission control protocol (TCP) port as defined by [IETF RFC 793]. An FHP process can communicate with a similar process in another system using this conceptual interface. Establishing an association between the corresponding sockets forms a connection between the two FHP processes.

[IETF RFC 793] defines a conceptual socket interface with some pseudo-calls for establishing (OPEN) and terminating (CLOSE) connections, and for sending (SEND) and receiving (RECEIVE) messages.

NOTE – The UNIX operating system defines a real programming socket interface and, likewise, several vendors for non-UNIX operating systems supply some kind of programming socket interface.

6.1.7 Transmission control protocol (TCP)

TCP is a connection-oriented protocol; that is, before actual data exchange can take place, a formal connection has to be established.

TCP is a reliable end-to-end transport protocol ensuring sequencing and integrity of exchanged messages with respect to incidental problems, such as transmission errors, loss of messages, out of sequence messages, etc. However, it may not ensure protection against wilful and malicious tampering with messages.

While the Internet Protocol (IP), as described in clause 6.1.8, allows routing between systems, the TCP provides for routing within the receiving system by use of a so-called port number that identifies the application to handle the incoming message.

6.1.8 Internet Protocol (IP)

The Internet Protocol (IP) is an end-to-end routing protocol that routes messages from end-to-end based on the so-called IP-addresses. It can route messages over a tandem of physical networks, for example, LAN → frame relay → LAN.

6.2 Service models

For the sake of specifying the communications between two DA directories, the service models shown in Figures 2, 3 and 4 are used for modelling the external behaviour of the directories.

NOTE 1 – This does not imply that directories have to be configured in the ways shown, just that they show the same external behaviour.

Figure 2 shows the symmetric model where two service providers, possibly located in different countries, maintain subscriber databases and have access to each other's databases. The ultimate user of directory assistance information is called the *consumer*. Consumers can be telephone operators, public users, programs, etc. A consumer at DA directory A can, through its inquiring system, access information in DA directory B, and vice versa.

The figure shows that such directories, at least conceptually, have an inquiring system and a replying system, and that they shall not use the same connection for issuing inquiries and for replying to inquiries. That means that they shall have separate sockets for sending and receiving inquiries. A replying system may use the same IP port number for answering inquiries from several or all of its communications partners.

NOTE 2 – This does not prevent a replying system from having several IP port numbers for receiving inquiries, for either providing backup, for load-sharing systems or for separating communications partners.

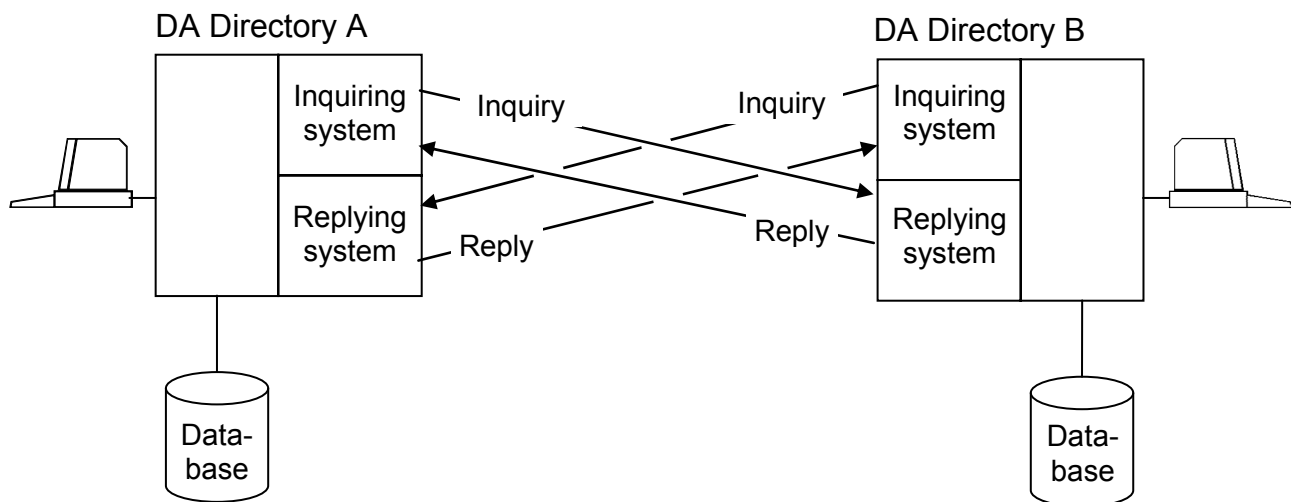


Figure 2 – Symmetric service model for directory assistance

Some DA systems do not maintain a subscriber database and are solely providing a DA service by accessing databases of other DA service providers, as illustrated in Figure 3.

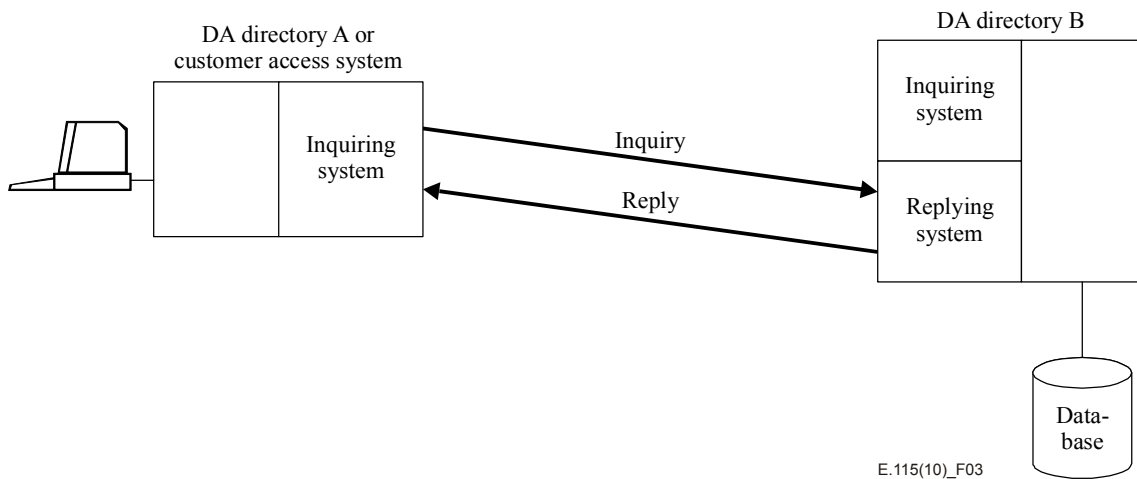


Figure 3 – Asymmetric service model for directory assistance

Organizations and institutions may also establish communication with a DA system using the protocols specified by this Recommendation. Figure 3 also illustrates that scenario.

Figure 4 illustrates the case where one DA directory may act as a transit system between the DA directory originating an inquiry and the DA directory generating the original reply. The transit system may or may not have a database of its own allowing it to reply to some inquiries directly. The originating inquiring system indicates in the inquiry that it is requesting the inquiry to be processed by a particular DA system. This system may be different from the one to which the inquiring system is directly connected.

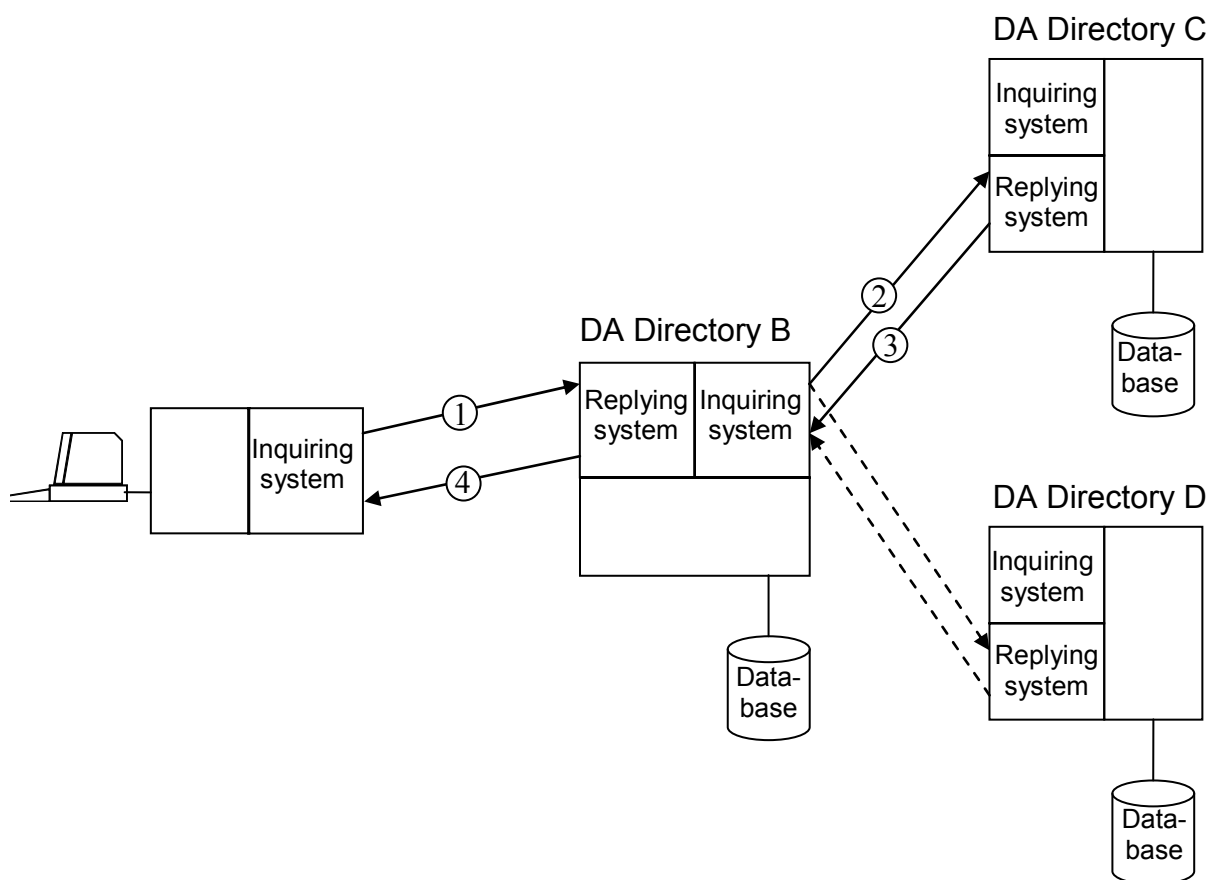


Figure 4 – Serving inquiries from multiple DA directories

A DA directory may, in addition to serve inquiries on its own database, also provide services from other DA systems, with which it is connected as illustrated in Figure 4. The DA directory to be accessed is dependent on the version as follows:

- Version 1: The DA directory to be accessed is determined by the **internationalIndicators** field of the inquiry (see clause 10.2.3.2). It is assumed that there is only one DA directory per country.
- Version 2.00: The DA directory to be accessed is determined by the **countryName** and **providerCode** fields of the inquiry (see clauses 11.2.3.4 and 11.2.3.5).
- Version 2.01: The DA directory to be accessed is determined by the **countryCode** and **providerCode** fields of the inquiry (see clauses 11.2.3.4 and 11.2.3.5).
- Version 2.10: The DA directory to be accessed is determined by the **directory** field of the inquiry (see clause 13.2.5).

When a replying system receives inquiries over a connection using encryption, it should also use a connection to the destination DA directory that specifies encryption.

7 Principles for the organization of an interconnected computerized international information service

For the organization of an interconnected computerized international information service, DA directories should abide by the following principles:

- a) An inquiry should be formulated in such a way that the search is targeted to retrieve mostly relevant selections.
- b) To overcome language difficulties, an inquiry to a replying system holding the database to be consulted shall be formulated in the language used in the country of the replying system. This means that language problems raised by certain inquiry and reply features should be resolved at the point where the inquiry is made.

Language problems, which may arise between operators, may be surmounted by using the conversion capability of computers.

- c) An inquiry should give rise to only one reply message with no additional dialogue between computers. The inquiring system shall supply all the information necessary for performing the search. The reply may include information from several listings. The maximum number of listings from which information is returned in a reply message depends both on the limitations imposed by the internal systems of the service providers and on the maximum capacity of the reply. The procedure for subdividing a returned list is given in clause 9.4.
- d) With regard to the management of messages, there is no relationship between the inquiry and the reply; where for any reason the reply to a particular inquiry has not been obtained, the inquiry has to be reiterated by the inquiring DA system on its own initiative.
- e) Special numbers for other services such as telefax may also appear in the reply message. The order of presentation for all numbers should remain as contained in the original database to preserve the subscriber's preference for the order of usage.

8 Service specification

When access is given via the DA directory of one service provider into the DA directory of another service provider, minimum standards shall apply to the inquiry and reply process, to permit maximum flexibility in the national information service and compatibility with the international information service.

8.1 Inquiry information

8.1.1 The consumer shall request information by supplying details according to the format given in clause 10.2 for version 1, in clause 11.2 for versions 2.00 and 2.01, and in clauses 13.2 and 14.2 for version 2.10.

8.1.2 At least one optional search field acting as a filter item shall be supplied.

8.1.3 The replying system shall reply to every inquiry. If the replying system indicates that the inquiry information supplied is insufficient, the inquiry should be repeated with more selective information.

8.2 Reply information

8.2.1 The replying system should give the information, as available, in the database by returning information according to the format given in clause 10.3 for version 1, in clause 11.3 for versions 2.00 and 2.01, and clauses 13.6, 13.7, 13.8, 13.9, 13.10, 14.4, and 15.4 for version 2.10.

8.2.2 If the amount of listings in the reply is incomplete, it should be possible to obtain the next sequence of selections (see clause 9.4).

8.3 Conversion

The different parts of the inquiry formulated by the consumer of the inquiring DA system should be converted by the inquiring system into a standard format, as specified by this Recommendation. The different parts of the reply transmitted in accordance with this Recommendation should be converted by the inquiring system into its appropriate format.

8.4 Version 2 extensibility

Protocol version 2 and follow-on versions have a two-level version identification structure – a major version number that is only increased in case of major additions to the protocol, followed by a release identifier, which can be expressed using the figures 00 to 99. This release indicator is incremented for each new addition (which can include several new fields and/or values). When the major indicator is incremented, the release level is set back to '00'. The initial level is 02.00 (written as 0200 in the protocol – see clause 17.4).

A major addition that requires a version change is an addition that makes backward compatibility impossible, e.g., introduction of new mandatory fields.

8.5 Functionality

8.5.1 General

The outcome of a search operation depends on the combination of the fields included in the inquiry.

This Recommendation defines five types of selection lists:

- a) **subscriberList**;
- b) **localityList**;
- c) **businessCategoryList**;
- d) **streetList**; and
- e) **provinceList** (version 2 only).

It is version-dependent how the replying system determines what type of list to return.

8.5.2 Version 1

The default is that a subscriber search is to be performed. The replying system shall consider all entered fields.

A locality search shall be performed under the following conditions:

- An inquiring system indicates to the replying system that a locality search is to be performed by entering information in the **locality** field and in combination with **countyStateOrProvince**, leaving all the other inquiry fields empty and optionally using the #NEI keyword.
- When an inquiring system indicates to the replying system that a subscriber search is to be performed, but **locality**, possibly in combination with **countyStateOrProvince**, does not specify a single locality, and the #MLS keyword is not present, a **localityList** shall be returned.

If either case above is true, only the following fields shall be taken into account (when entered):

- **locality**;
- **countyStateOrProvince**; and
- **sequenceNumber** (if paging is relevant).

Table 1 describes the possible cases, and what the result would be, under the above conditions. Many keywords make exceptions to the behaviour described in this table (see comments below).

Table 1 – Functionality dependency on input fields

Locality	County, state or province name	Subscriber	Result
Not present	Not present	Not present	Message code indicating that the request cannot be honoured (corresponding message code 43)
Not present	Not present	Present	Search performed in whole country or message code indicating "not supported" (corresponding message code 41)
Not present	Present	Not present	Message code indicating that the request cannot be honoured (corresponding message code 43)
Not present	Present	Present	Search performed in whole province or message code indicating "not supported" (42)
Present	Not present	Not present	Locality list or error
Present	Not present	Present	Locality list, subscriber list or error
Present	Present	Not present	Locality list or error
Present	Present	Present	Locality list, subscriber list or error

The presence of the keywords #REV, #ADR, #MLS, #MSS, #PRO and #BUS in the inquiry changes the behaviour described above. Other types of lists may be returned instead of locality lists. For more information, see Annex A.

8.5.3 Version 2

8.5.3.1 Relevant filter items for versions 2.00 and 2.01

The fields within inquiry data (see clause 11.2.4) may be relevant as filter items, depending upon the type of search.

The way the search is performed is dependent on the values in the **requestedReplyType** and **acceptedReplyTypes** fields.

The replying system defines which filter items apply to each requested type of the list. Examples are:

- **subscriberList**: at least one search filter item (e.g., **subscriberName**);
- **localityList**: **nationalDestinationCode**, **countyStateOrProvince**, **locality**, **postalCode**;
- **streetList**: **streetName**, **countyStateOrProvince**, **locality**;
- **businessCategoryList**: **headingInTheGuide**;
- **provinceList**: **countyStateOrProvince**.

8.5.3.2 Relevant filter items for version 2.10

The relevant filter items for version 2.10 are determined by the result of a Functionality List reply (see clause 15.4).

8.5.3.3 Uniqueness of critical filter items

The critical filter items, i.e., filter items giving locality information and/or business category information, may individually be unique or non-unique. A critical filter item is unique in its own right if it alone identifies a state, county or province, a locality, a street or a business category. However, if such filter items are not individually unique, they may together be unique. As an example, a locality may in itself be non-unique, but may together with county, state or province uniquely identify a particular location.

It is implementation dependent what combination of critical filter items is tried against the database to check for uniqueness.

8.5.3.4 Subscriber search

This clause applies if the **requestedReplyType** specifies **subscriberList**.

This type of search shall be supported.

The **acceptedReplyTypes** shall be absent or shall have one or more of the following values:

- **localityList**: If no unique locality is found with the search filter, then a **localityList** shall be returned.
- **streetList**: If no unique street is found with the search filter and the **streetList** is supported, then a street list shall be returned.
- **provinceList**: If no unique province is found with the search filter and the **provinceList** is supported, then a province list shall be returned.
- **businessCategoryList**: If no unique business category is found with the search filter and the **businessCategoryList** is supported, then a business category list shall be returned.

If **acceptedReplyTypes** is absent, either a **subscriberList** or an error message code shall be returned.

8.5.3.5 County, state or province search

This clause applies if the **requestedReplyType** specifies **provinceList**.

If this type of search is not supported, then message code 45 shall be returned.

If **acceptedReplyTypes** is absent, either a **provinceList** or an error message code shall be returned.

NOTE – The **acceptedReplyTypes** will typically be absent.

8.5.3.6 Locality search

This clause applies if the **requestedReplyType** specifies **localityList**.

This type of search shall be supported.

The **acceptedReplyTypes** shall be absent or have the following value:

- **provinceList**: If no unique county, state or province is found with the search filter, all locality filters are absent and the **provinceList** is supported, then a **provinceList** should be returned.

If **acceptedReplyTypes** is absent, either a **localityList** or an error message code shall be returned.

8.5.3.7 Street search

This clause applies if the **requestedReplyType** specifies **streetList**.

If this type of search is not supported, then message code 45 shall be returned.

The **acceptedReplyTypes** shall be absent or have one or more of the following values:

- **localityList**: If no unique locality is found with the search filter, then a **localityList** shall be returned.
- **provinceList**: If no unique county, state or province is found with the search filter, all locality filters are absent and the **provinceList** is supported, then a **provinceList** should be returned.

If **acceptedReplyTypes** is absent, either a **streetList** or an error message code shall be returned.

When a **streetList** is returned, each selection shall have the following fields:

- **streetName**;
- **locality**;
- **countyStateOrProvince** (if necessary for unambiguity); and
- optionally, additional information in the **supplementaryData** field.

8.5.3.8 Business category search

This clause applies if the **requestedReplyType** specifies **businessCategoryList**.

If this type of search is not supported, then message code 45 shall be returned.

The **acceptedReplyTypes** shall be absent or have one or more of the following values:

- **localityList**: If no unique locality is found with the search filter, then a **localityList** should be returned.
- **provinceList**: If no unique province is found with the search filter, all locality filters are absent and the **provinceList** is supported, then a **provinceList** should be returned.
- **streetList**: If no unique street is found with the search filter and the **streetList** is supported, then a **streetList** should be returned.

If **acceptedReplyTypes** is absent, either a **businessCategoryList** or an error message code shall be returned.

8.5.3.9 General for all search types

When a list type other than the one specified in the **requestedReplyType** is returned, it shall be returned using the ITU-T E.115 character subset (see clause 9.1) from the inquiry. This is to allow an inquiring system to easily use information from the returned list in a subsequent inquiry.

9 Common protocol specification elements

9.1 Character subsets and encoding

9.1.1 General

For international traffic, the character repertoire is generally restricted to a common subset available at all consumer input stations. The minimum character set that shall be employed for inquiries and replies is listed in Table 2.

This minimum character set shall be coded in accordance with [ITU-T T.50], using the international reference version (IRV) allocation.

The characters quotation mark ("), ampersand (&), apostrophe ('), less-than sign (<) and greater-than sign (>) cannot be included in XML values.

- the quotation marks shall be replaced by """ or by """
- the ampersand shall be replaced by "&" or by "&"
- the apostrophe shall be replaced by "'" or by "'"
- the less-than-sign shall be replaced by "<" or by "<"
- the greater-than sign shall be replaced by ">" or by ">"

When XML values are received, the reverse conversion shall be performed. For example, if the XML contains ">" or ">" this is converted into two greater-than signs.

NOTE – Some parsers may do the conversion automatically.

Table 2 – Basic character subset

Graphic symbol	Name	Coded representation	Graphic symbol	Name	Coded representation
	Space	2/0	L	Latin capital letter L	4/12
!	Exclamation mark	2/1	M	Latin capital letter M	4/13
"	Quotation mark	2/2	N	Latin capital letter N	4/14
#	Number sign	2/3	O	Latin capital letter O	4/15
%	Percent sign	2/5	P	Latin capital letter P	5/0
&	Ampersand	2/6	Q	Latin capital letter Q	5/1
'	Apostrophe	2/7	R	Latin capital letter R	5/2
(Left parenthesis	2/8	S	Latin capital letter S	5/3
)	Right parenthesis	2/9	T	Latin capital letter T	5/4
*	Asterisk	2/10	U	Latin capital letter U	5/5
+	Plus sign	2/11	V	Latin capital letter V	5/6
,	Comma	2/12	W	Latin capital letter W	5/7
–	Hyphen, minus sign	2/13	X	Latin capital letter X	5/8
.	Full stop	2/14	Y	Latin capital letter Y	5/9
/	Solidus	2/15	Z	Latin capital letter Z	5/10
0	Digit zero	3/0	–	Low line, underline	5/15
1	Digit one	3/1	a	Latin small letter a	6/1
2	Digit two	3/2	b	Latin small letter b	6/2
3	Digit three	3/3	c	Latin small letter c	6/3
4	Digit four	3/4	d	Latin small letter d	6/4

Table 2 – Basic character subset

Graphic symbol	Name	Coded representation	Graphic symbol	Name	Coded representation
5	Digit five	3/5	e	Latin small letter e	6/5
6	Digit six	3/6	f	Latin small letter f	6/6
7	Digit seven	3/7	g	Latin small letter g	6/7
8	Digit eight	3/8	h	Latin small letter h	6/8
9	Digit nine	3/9	i	Latin small letter i	6/9
:	Colon	3/10	j	Latin small letter j	6/10
;	Semicolon	3/11	k	Latin small letter k	6/11
<	Less-than sign	3/12	l	Latin small letter l	6/12
=	Equals sign	3/13	m	Latin small letter m	6/13
>	Greater-than sign	3/14	n	Latin small letter n	6/14
?	Question mark	3/15	o	Latin small letter o	6/15
@	Commercial at (Note)	4/0	p	Latin small letter p	7/0
A	Latin capital letter A	4/1	q	Latin small letter q	7/1
B	Latin capital letter B	4/2	r	Latin small letter r	7/2
C	Latin capital letter C	4/3	s	Latin small letter s	7/3
D	Latin capital letter D	4/4	t	Latin small letter t	7/4
E	Latin capital letter E	4/5	u	Latin small letter u	7/5
F	Latin capital letter F	4/6	v	Latin small letter v	7/6
G	Latin capital letter G	4/7	w	Latin small letter w	7/7
H	Latin capital letter H	4/8	x	Latin small letter x	7/8
I	Latin capital letter I	4/9	y	Latin small letter y	7/9
J	Latin capital letter J	4/10	z	Latin small letter z	7/10
K	Latin capital letter K	4/11			

NOTE – Not part of basic subset for version 1, but its implementation is recommended. If not implemented, it shall be replaced by (a) when representing **rfc822** (e-mail) addresses.

9.1.2 Protocol version 1

Through bilateral agreement, the graphic characters of the extended character set defined by [ISO/IEC 8859-1] may be used. The following code points are relevant:

- a) the repertoire as specified by Table 2 (Note); and
- b) 10/00 (00A0_{Hex}) to 15/15 (FF_{Hex}).

NOTE – The repertoire and encoding specified in a) is identical in encoding to the one specified in clause 9.1.1.

9.1.3 Protocol version 2

Version 2 of the DA protocol requires the use of the UCS transformation format 8 (UTF-8) encoding of universal multiple-octet coded character set (UCS) as defined by [ISO/IEC 10646].

9.1.3.1 Normalization and case folding

Two character strings may, in principle, be identical although they do not compare bitwise. Normalization is the act of bringing two character strings onto a common form to allow bitwise comparison.

Some letters are equivalent in the sense that the same character glyph has different code points. The Scandinavian letter 'Å' is an example. It has the code point 00C5. However, the letter can also be an ANGSTROM SIGN with code point 212B. Finally, it can be composed of the letter 'A' (code point 0041) and the COMBINING RING ABOVE (code point 030A). For a discussion of code points, see Appendix III.

There are elaborated techniques for bringing two character strings into a common form. However, this Recommendation avoids the problem by only allowing only one form of encoding as determined by the ITU-T E.115 character subsets (see the following clauses).

As case ignore matching is the predominate type of matching, case folding may be required, e.g., by mapping all capital letters into small letters. This is typically quite straightforward, but there are a few complications. Case folding is discussed in more detail for the different ITU-T E.115 character subsets defined in the following clauses.

NOTE 1 – Folding into lower case seems to be the common practice.

NOTE 2 – The Arabic character set does not have the notion of lower and upper case.

9.1.3.2 The ITU-T E.115 basic character subset

The part of the BASIC LATIN subset listed in Table 2 shall be implemented, including the @ character. This restricted BASIC LATIN subset is in the protocol represented by the **basic** protocol value.

NOTE – The encoding of this subset is identical in repertoire and encoding to the one specified in clause 9.1.1.

9.1.3.3 The ITU-T E.115 latin1 character subset

The **latin1** protocol value is used for representing an ITU-T E.115 character subset that includes the ISO/IEC 10646 LATIN-1 SUPPLEMENT subset as an addition to the repertoire defined by the **basic** ITU-T E.115 character subset.

NOTE 1 – This character repertoire extends the graphical character repertoire to the one defined by [ISO/IEC 8859-1], although the encoding is different.

The ITU-T E.115 **latin1** subset covers most West European languages, such as French, Spanish, Catalan, Basque, Portuguese, Italian, Albanian, Rhaeto-Romanic, Dutch, Flemish, German, Danish, Swedish, Norwegian, Finnish, Faroese, Icelandic, Irish, Scottish, and English; incidentally, it also covers Afrikaans and Swahili. Thus, in effect, it covers also the entire American continent, Australia and much of Africa.

NOTE 2 – The Dutch and Flemish LATIN CAPITAL LIGATURE IJ (IJ) with code point 0132 and LATIN SMALL LIGATURE IJ (ij) with code point 0133 are not included. The French LATIN CAPITAL LIGATURE OE (Œ) with code point 0152, LATIN SMALL LIGATURE OE (œ) with code point 0153 and CAPITAL LETTER Y WITH DIAERESIS (ÿ) with code point 0178 are likewise not included.

Case mapping is done as follows: Any character with name LATIN CAPITAL LETTER <something> is mapped onto LATIN SMALL LETTER <something>, or vice versa.

The LATIN SMALL LETTER Y WITH DIAERESIS (ÿ) with code point 00FF has no corresponding capital letters within this ITU-T E.115 character subset

NOTE 3 – The corresponding capital letter is LATIN CAPITAL LETTER Y WITH DIAERESIS (ÿ) which has the code point 0178, i.e., it is within the [ISO/IEC 10646] LATIN EXTENDED-A subset.

9.1.3.4 The ITU-T E.115 latin-ext character subset

The **latin-ext** protocol value is used to represent an ITU-T E.115 character subset that, in addition to the repertoire defined by the ITU-T E.115 **latin1** character subset, includes the part of the [ISO/IEC 10646] LATIN-EXTENDED-A subset listed in Table 3.

Table 3 – The Latin extended character subset

Character name	Glyph	Code
LATIN CAPITAL LETTER C WITH CARON	Č	010C
LATIN SMALL LETTER C WITH CARON	č	010D
LATIN CAPITAL LETTER D WITH CARON	Ď	010E
LATIN SMALL LETTER D WITH CARON	ď	010F
LATIN CAPITAL LETTER E WITH CARON	Ě	011A
LATIN SMALL LETTER E WITH CARON	ě	011B
LATIN CAPITAL LETTER L WITH ACUTE	Ĺ	0139
LATIN SMALL LETTER L WITH ACUTE	ĺ	013A
LATIN CAPITAL LETTER L WITH CARON	Ľ	013D
LATIN SMALL LETTER L WITH CARON	ľ	013E
LATIN CAPITAL LETTER N WITH CARON	Ň	0147
LATIN SMALL LETTER N WITH CARON	ň	0148
LATIN CAPITAL LETTER O WITH DOUBLE ACUTE	Ő	0150
LATIN SMALL LETTER O WITH DOUBLE ACUTE	ő	0151
LATIN CAPITAL LETTER R WITH ACUTE	Ŕ	0154
LATIN SMALL LETTER R WITH ACUTE	ŕ	0155
LATIN CAPITAL LETTER R WITH CARON	Ř	0158
LATIN SMALL LETTER R WITH CARON	ř	0159
LATIN CAPITAL LETTER S WITH CARON	Š	0160
LATIN SMALL LETTER S WITH CARON	š	0161
LATIN CAPITAL LETTER T WITH CARON	Ť	0164
LATIN SMALL LETTER T WITH CARON	ť	0165
LATIN CAPITAL LETTER U WITH RING ABOVE	Ů	016E
LATIN SMALL LETTER U WITH RING ABOVE	ů	016F
LATIN CAPITAL LETTER U WITH DOUBLE ACUTE	Ű	0170
LATIN SMALL LETTER U WITH DOUBLE ACUTE	ű	0171
LATIN CAPITAL LETTER Z WITH CARON	Ž	017D
LATIN SMALL LETTER Z WITH CARON	ž	017E

The **latin-ext** ITU-T E.115 subset covers the following languages in addition to those covered by the ITU-T E.115 **latin1** subset:

- Czech;
- Hungarian; and
- Slovak.

Case mapping is done as follows: Any character with name LATIN CAPITAL LETTER <something> is mapped onto LATIN SMALL LETTER <something>, or vice versa. However, there are a few complications:

- The LATIN CAPITAL LETTER I WITH DOT ABOVE (İ) with code point 0130 has the ordinary LATIN SMALL LETTER I (i or 0069) as the corresponding lower case. That

means that the LATIN SMALL LETTER I has two upper case versions, the LATIN CAPITAL LETTER I and the LATIN CAPITAL LETTER I WITH DOT ABOVE. Only the former mapping shall be used.

- The LATIN SMALL LETTER DOTLESS I (I) with code point 0131 has the ordinary LATIN CAPITAL LETTER I (I) with code point 0049 as the corresponding upper case. That means that the LATIN CAPITAL LETTER I has two lower case versions, the LATIN SMALL LETTER I and the LATIN SMALL LETTER DOTLESS I. Only the former mapping shall be used.

NOTE – In a Turkish environment, the alternate mappings are used.

9.1.3.5 The ITU-T E.115 Cyrillic character subset

The **cyrillic** protocol value is used to represent an ITU-T E.115 character subset that includes part of the [ISO/IEC 10646] CYRILLIC subset in addition to the repertoire defined by the ITU-T E.115 **latin1** character subset.

Table 4 – The Cyrillic character subset

Character name	Glyph	Code
CYRILLIC CAPITAL LETTER IE WITH GRAVE	È	0400
CYRILLIC CAPITAL LETTER IO	Ë	0401
CYRILLIC CAPITAL LETTER DJE	Ђ	0402
CYRILLIC CAPITAL LETTER UKRAINIAN IE	Є	0404
CYRILLIC CAPITAL LETTER BYELORUSSIAN-UKRAINIAN I	І	0406
CYRILLIC CAPITAL LETTER YI	Ї	0407
CYRILLIC CAPITAL LETTER JE	Ј	0408
CYRILLIC CAPITAL LETTER NJE	Њ	040A
CYRILLIC CAPITAL LETTER TSHE	Ѣ	040B
CYRILLIC CAPITAL LETTER KJE	Ќ	040C
CYRILLIC CAPITAL LETTER I WITH GRAVE	Й	040D
CYRILLIC CAPITAL LETTER SHORT U	Ў	040E
CYRILLIC CAPITAL LETTER DZHE	Ѥ	040F
CYRILLIC CAPITAL LETTER A	А	0410
CYRILLIC CAPITAL LETTER BE	Б	0411
CYRILLIC CAPITAL LETTER VE	В	0412
CYRILLIC CAPITAL LETTER GHE	Г	0413
CYRILLIC CAPITAL LETTER DE	Д	0414
CYRILLIC CAPITAL LETTER IE	Е	0415
CYRILLIC CAPITAL LETTER ZHE	Ж	0416
CYRILLIC CAPITAL LETTER ZE	З	0417
CYRILLIC CAPITAL LETTER I	И	0418
CYRILLIC CAPITAL LETTER SHORT I	Й	0419
CYRILLIC CAPITAL LETTER KA	К	041A
CYRILLIC CAPITAL LETTER EL	Л	041B

Table 4 – The Cyrillic character subset

Character name	Glyph	Code
CYRILLIC CAPITAL LETTER EM	М	041C
CYRILLIC CAPITAL LETTER EN	Н	041D
CYRILLIC CAPITAL LETTER O	О	041E
CYRILLIC CAPITAL LETTER PE	П	041F
CYRILLIC CAPITAL LETTER ER	Р	0420
CYRILLIC CAPITAL LETTER ES	С	0421
CYRILLIC CAPITAL LETTER TE	Т	0422
CYRILLIC CAPITAL LETTER U	У	0423
CYRILLIC CAPITAL LETTER EF	Ф	0424
CYRILLIC CAPITAL LETTER HA	Х	0425
CYRILLIC CAPITAL LETTER TSE	Ц	0426
CYRILLIC CAPITAL LETTER CHE	Ч	0427
CYRILLIC CAPITAL LETTER SHA	Ш	0428
CYRILLIC CAPITAL LETTER SHCHA	Щ	0429
CYRILLIC CAPITAL LETTER HARD SIGN	Ъ	042A
CYRILLIC CAPITAL LETTER YERU	Ы	042B
CYRILLIC CAPITAL LETTER SOFT SIGN	Ь	042C
CYRILLIC CAPITAL LETTER E	Э	042D
CYRILLIC CAPITAL LETTER YU	Ю	042E
CYRILLIC CAPITAL LETTER YA	Я	042F
CYRILLIC SMALL LETTER A	а	0430
CYRILLIC SMALL LETTER BE	б	0431
CYRILLIC SMALL LETTER VE	в	0432
CYRILLIC SMALL LETTER GHE	г	0433
CYRILLIC SMALL LETTER DE	д	0434
CYRILLIC SMALL LETTER IE	е	0435
CYRILLIC SMALL LETTER ZHE	ж	0436
CYRILLIC SMALL LETTER ZE	з	0437
CYRILLIC SMALL LETTER I	и	0438
CYRILLIC SMALL LETTER SHORT I	й	0439
CYRILLIC SMALL LETTER KA	к	043A
CYRILLIC SMALL LETTER EL	л	043B
CYRILLIC SMALL LETTER EM	м	043C
CYRILLIC SMALL LETTER EN	н	043D
CYRILLIC SMALL LETTER O	о	043E
CYRILLIC SMALL LETTER PE	п	043F
CYRILLIC SMALL LETTER ER	р	0440

Table 4 – The Cyrillic character subset

Character name	Glyph	Code
CYRILLIC SMALL LETTER ES	с	0441
CYRILLIC SMALL LETTER TE	т	0442
CYRILLIC SMALL LETTER U	у	0443
CYRILLIC SMALL LETTER EF	ф	0444
CYRILLIC SMALL LETTER HA	х	0445
CYRILLIC SMALL LETTER TSE	ц	0446
CYRILLIC SMALL LETTER CHE	ч	0447
CYRILLIC SMALL LETTER SHA	ш	0448
CYRILLIC SMALL LETTER SHCHA	щ	0449
CYRILLIC SMALL LETTER HARD SIGN	ъ	044A
CYRILLIC SMALL LETTER YERU	ы	044B
CYRILLIC SMALL LETTER SOFT SIGN	ь	044C
CYRILLIC SMALL LETTER E	э	044D
CYRILLIC SMALL LETTER YU	ю	044E
CYRILLIC SMALL LETTER YA	я	044F
CYRILLIC SMALL LETTER IE WITH GRAVE	è	0450
CYRILLIC SMALL LETTER IO	ë	0451
CYRILLIC SMALL LETTER DJE	ђ	0452
CYRILLIC SMALL LETTER UKRAINIAN IE	є	0454
CYRILLIC SMALL LETTER BYELORUSSIAN-UKRAINIAN I	і	0456
CYRILLIC SMALL LETTER YI	ї	0457
CYRILLIC SMALL LETTER JE	ј	0458
CYRILLIC SMALL LETTER NJE	њ	045A
CYRILLIC SMALL LETTER TSHE	ћ	045B
CYRILLIC SMALL LETTER KJE	ќ	045C
CYRILLIC SMALL LETTER I WITH GRAVE	ì	045D
CYRILLIC SMALL LETTER SHORT U	ў	045E
CYRILLIC SMALL LETTER DZHE	џ	045F

The **cyrillic** ITU-T E.115 subset covers the following languages in addition to those covered by the ITU-T E.115 **latin1** subset:

- Russian;
- Bulgarian;
- Belarusian;
- Serbian;
- Macedonian; and
- Ukrainian.

Case mapping is done as follows: Any character with name CYRILLIC CAPITAL LETTER <something> is mapped onto CYRILLIC SMALL LETTER <something>, or vice versa.

9.1.3.6 The ITU-T E.115 Greek character subset

The **greek** protocol value is used to represent an ITU-T E.115 character subset that in addition to the repertoire defined by the ITU-T E.115 **latin1** character subset includes the part of the [ISO/IEC 10646] BASIC GREEK subset listed in Table 5.

Table 5 – The Greek character subset

Character name	Glyph	Code
GREEK CAPITAL LETTER ALPHA	Α	0391
GREEK CAPITAL LETTER BETA	Β	0392
GREEK CAPITAL LETTER GAMMA	Γ	0393
GREEK CAPITAL LETTER DELTA	Δ	0394
GREEK CAPITAL LETTER EPSILON	Ε	0395
GREEK CAPITAL LETTER ZETA	Ζ	0396
GREEK CAPITAL LETTER ETA	Η	0397
GREEK CAPITAL LETTER THETA	Θ	0398
GREEK CAPITAL LETTER IOTA	Ι	0399
GREEK CAPITAL LETTER KAPPA	Κ	039A
GREEK CAPITAL LETTER LAMDA	Λ	039B
GREEK CAPITAL LETTER MU	Μ	039C
GREEK CAPITAL LETTER NU	Ν	039D
GREEK CAPITAL LETTER XI	Ξ	039E
GREEK CAPITAL LETTER OMICRON	Ο	039F
GREEK CAPITAL LETTER PI	Π	03A0
GREEK CAPITAL LETTER RHO	Ρ	03A1
GREEK CAPITAL LETTER SIGMA	Σ	03A3
GREEK CAPITAL LETTER TAU	Τ	03A4
GREEK CAPITAL LETTER UPSILON	Υ	03A5
GREEK CAPITAL LETTER PHI	Φ	03A6
GREEK CAPITAL LETTER CHI	Χ	03A7
GREEK CAPITAL LETTER PSI	Ψ	03A8
GREEK CAPITAL LETTER OMEGA	Ω	03A9
GREEK SMALL LETTER ALPHA	α	03B1
GREEK SMALL LETTER BETA	β	03B2
GREEK SMALL LETTER GAMMA	γ	03B3
GREEK SMALL LETTER DELTA	δ	03B4
GREEK SMALL LETTER EPSILON	ε	03B5
GREEK SMALL LETTER ZETA	ζ	03B6
GREEK SMALL LETTER ETA	η	03B7

Table 5 – The Greek character subset

Character name	Glyph	Code
GREEK SMALL LETTER THETA	θ	03B8
GREEK SMALL LETTER IOTA	ι	03B9
GREEK SMALL LETTER KAPPA	κ	03BA
GREEK SMALL LETTER LAMDA	λ	03BB
GREEK SMALL LETTER MU	μ	03BC
GREEK SMALL LETTER NU	ν	03BD
GREEK SMALL LETTER XI	ξ	03BE
GREEK SMALL LETTER OMICRON	ο	03BF
GREEK SMALL LETTER PI	π	03C0
GREEK SMALL LETTER RHO	ρ	03C1
GREEK SMALL LETTER SIGMA	σ	03C3
GREEK SMALL LETTER TAU	τ	03C4
GREEK SMALL LETTER UPSILON	υ	03C5
GREEK SMALL LETTER PHI	φ	03C6
GREEK SMALL LETTER CHI	χ	03C7
GREEK SMALL LETTER PSI	ψ	03C8
GREEK SMALL LETTER OMEGA	ω	03C9

Case mapping is done as follows: Any character with name GREEK CAPITAL LETTER <something> is mapped onto GREEK SMALL LETTER <something>, or vice versa.

9.1.3.7 The ITU-T E.115 Arabic character subset

The **arabic** protocol value is used to represent an ITU-T E.115 character subset that in addition to the repertoire defined by the ITU-T E.115 **latin1** character subset includes the part of the [ISO/IEC 10646] ARABIC subset listed in Table 6.

Table 6 – The Arabic character subset

Character name	Glyph	Code
ARABIC COMMA	،	060C
ARABIC SEMICOLON	؛	061B
ARABIC QUESTION MARK	؟	061F
ARABIC LETTER HAMZA	ء	0621
ARABIC LETTER ALEF WITH MADDA ABOVE	آ	0622
ARABIC LETTER ALEF WITH HAMZA ABOVE	أ	0623
ARABIC LETTER WAW WITH HAMZA ABOVE	ؤ	0624
ARABIC LETTER ALEF WITH HAMZA BELOW	إ	0625
ARABIC LETTER YEH WITH HAMZA ABOVE	ئ	0626
ARABIC LETTER ALEF	ا	0627
ARABIC LETTER BEH	ب	0628

Table 6 – The Arabic character subset

Character name	Glyph	Code
ARABIC LETTER TEH MARBUTA	ة	0629
ARABIC LETTER TEH	ت	062A
ARABIC LETTER THEH	ث	062B
ARABIC LETTER JEEM	ج	062C
ARABIC LETTER HAH	ح	062D
ARABIC LETTER KHAH	خ	062E
ARABIC LETTER DAL	د	062F
ARABIC LETTER THAL	ذ	0630
ARABIC LETTER REH	ر	0631
ARABIC LETTER ZAIN	ز	0632
ARABIC LETTER SEEN	س	0633
ARABIC LETTER SHEEN	ش	0634
ARABIC LETTER SAD	ص	0635
ARABIC LETTER DAD	ض	0636
ARABIC LETTER TAH	ط	0637
ARABIC LETTER ZAH	ظ	0638
ARABIC LETTER AIN	ع	0639
ARABIC LETTER GHAIN	غ	063A
ARABIC TATWEEL	-	0640
ARABIC LETTER FEH	ف	0641
ARABIC LETTER QAF	ق	0642
ARABIC LETTER KAF	ك	0643
ARABIC LETTER LAM	ل	0644
ARABIC LETTER MEEM	م	0645
ARABIC LETTER NOON	ن	0646
ARABIC LETTER HEH	ه	0647
ARABIC LETTER WAW	و	0648
ARABIC LETTER ALEF MAKSURA	ى	0649
ARABIC LETTER YEH	ي	064A
ARABIC FATHATAN	ً	064B
ARABIC DAMMATAN	ٌ	064C
ARABIC KASRATAN	ٍ	064D
ARABIC FATHA	َ	064E
ARABIC DAMMA	ُ	064F
ARABIC KASRA	ِ	0650
ARABIC SHADDA	ّ	0651
ARABIC SUKUN	◌	0652

The Arabic alphabet does not have the notion of upper and lower case. Accordingly, there is no case mapping. Arabic characters not listed above shall not be used in inquiries and replies.

9.1.3.8 Interoperability issues

An agreement on ITU-T E.115 character subsets does not remove all interoperability issues. Users in one part of the world may not be able to enter character repertoires used in other parts of the world, and if they could, getting the proper spelling might be difficult. In many cases, it will be necessary to limit the character set repertoire to the ITU-T E.115 **basic** subset.

Use of other ITU-T E.115 character subsets may be useful in the following cases:

- Skilled interpreters may be able to access databases in other parts of the world and thereby provide an extended directory assistance service.
- Within closed regions, e.g., within a Cyrillic region, the extended ITU-T E.115 character subset support may be useful.

9.2 Filter concept

When receiving a valid inquiry, the replying system matches the relevant fields of the inquiry against the corresponding fields of the listings in the database. The inquiry fields used for matching against listings comprise the *filter*. If the match yields TRUE for a listing, selective information from that listing is formed and returned in the reply, possibly together with similar information from other listings.

Each inquiry field that is part of the filter is called a *filter item*. If a filter item matches a corresponding field of a listing, it is said to yield TRUE. For a filter to yield TRUE, i.e., for the filter to match a listing, all the filter items have to yield TRUE for that listing (the filter items are logical AND'ed).

NOTE – Although information from a listing is a candidate to be returned, local policies may prevent that information from being returned.

Matching does not necessarily imply a simple octet-by-octet comparison, but can be more sophisticated as specified by matching rules (see clause 9.3).

A filter item can hold truncated information to be matched against part of the corresponding listing field.

A filter item may consist of sub-components that individually have to match corresponding information items of the listings. The combined results may be the logical OR of the matching result of each sub-component. As an example, see clause 11.2.4.14.

9.3 Matching and matching rules

A matching rule is a specification for how a particular matching should be performed.

9.3.1 Matching for version 1

The following matching rules are defined:

- a) Phonetic match: This type of matching deploys an implementation-defined phonetic matching algorithm and may be performed when some filter items of the inquiry may not have the exact spelling, but might be spelled according to their pronunciation;
- b) Word rotation match: This type of matching may be performed when the words in some filter items may not be supplied in the right order; and
- c) Position-sensitive match (#ALT=2).

Replying systems shall apply their standard matching if an alternative matching rule is not provided in the #ALT keyword.

9.3.2 Matching for version 2

Matching rules for version 2 are defined in clause 11.2.4.21 or 13.3.21.

9.4 Paging

There is a limit on the amount of data to be returned as the result of an inquiry. If that limit is exceeded, it is necessary to split the result up into pieces, called *pages*. The inquiry indicates which page to be returned by the **sequenceNumber** field, as specified in clause 10.2.4.11 for version 1, and in clause 11.2.4.10 or 13.3.22 for version 2.

In version 1, the length of a page shall be a maximum of 3000 octets, and it shall contain an integral number of selections.

In version 2, a page shall consist of information from an integral number of listings up to a value as determined by means outside the scope of this Recommendation. This value shall be configurable per inquiring system.

NOTE – It is suggested that this value be set to 30.

A result shall not exceed 10 pages (sequence numbers 0 to 9).

9.5 Hierarchical groups

Listings may have hierarchical relationship. *Hierarchical groups* form such relationships by forming a logical tree with a root called the *hierarchical top*.

NOTE – Version 1 of the protocol refers to hierarchical groups as *grouped listings*.

By referring to hierarchical relationships, it is possible in a search operation to retrieve information from listings matching a search enquiry, but also from other listings within the same hierarchical group.

Information from each listing of a hierarchical group is returned separately.

When the replying system returns information from a hierarchical group, it shall indicate the level of the corresponding listing within that hierarchical group.

The top level of a hierarchical group has level 0.

The level indication for version 1 is expressed using the keywords #MAI and #LEV (see clause 9.6 and Annex A) and in version 2, it is expressed in inquiry and reply fields (see clauses 11.2.4.22 and 11.3.4.25 or 13.3.24 and 13.6.20).

9.6 The keyword concept of version 1

Version 1 of the DA protocol has the concept of keywords. The defined keywords are listed in Annex A.

Keywords have no defaults in the sense that if a keyword is not supplied, there is no default functionality implied by its absence.

Version 1 defines two types of keywords:

- descriptive keywords; and
- functional keywords.

A descriptive keyword consists of three upper case letters that qualifies a reply. A functional keyword consists of the number sign ("#") followed by three upper case letters that qualifies either an inquiry or a reply.

Descriptive keywords are returned in replies to signal the kind of communications address retrieved. Descriptive keywords are returned within the **supplementaryData** field in the reply (see clause 10.3.5.9).

Descriptive keywords may be used without bilateral agreement.

Functional keywords included in the inquiry provide additional information to tailor the search to get the wanted result. Some functional keywords may have a value assigned using the format:

#XXX=<value>

Functional keywords are supplied in the **additionalInformationForASelectiveSearch** field of the inquiry and/or reply (see clauses 10.2.4.8 and 10.3.5.13) as detailed in Annex A.

A functional keyword shall not be used unless there is a bilateral agreement on its use.

SECTION 1

VERSION 1.00 OF THE ITU-T E.115 PROTOCOL

10 Version 1 of the directory assistance protocol specification

10.1 Overview

A DA transaction consists of an inquiry and a reply. The format of the inquiry is shown in Figure 5. The details are given in clause 10.2. The format of the reply is shown in Figure 6. The details are given in clause 10.3.

Several transactions may be in progress simultaneously on the same connection between an inquiring system and a replying system. Replies may come back in a different order than the order of the inquiries. The **originatingTerminalCode** field (see clause 10.2.3.3) may be used for pairing inquires and replies.

10.2 Inquiry format

10.2.1 Structure of the inquiry

The structure of an inquiry is shown in Figure 5. It reflects the information as entered by an operator (or user) and formatted by the inquiring system. The information is used by the replying system to search the database for listings that match the inquiry.

Part 1					Part 2		
Message indicators	International indicators	Originating terminal code	Date and time	Message number	Locality	Subscriber name	Street name or equivalent

Part 2 (end)							
House number	Forename	Heading in the guide	Profession code	Additional information for a selective search	County, state or province	Category	Sequence number

Figure 5 – Inquiry format for version 1

The different fields of the inquiry for version 1 are described in clauses 10.2.3 and 10.2.4.

10.2.2 Inquiry field lengths

Table 7 lists the inquiry field length, in characters, of the different fields. Some fields have a fixed length, while other fields have a variable length with a specified maximum length. A compliant implementation shall be able to receive inquiry messages up to the mandatory maximum length. Version 1 implementations may, by bilateral agreements, send up to the number of characters given in the bilateral column.

Table 7 – Inquiry field lengths for version 1

	Field	Mandatory	Bilateral
Part 1	messageIndicators	Exactly 4	N/A
	internationalIndicators	Exactly 8	N/A
	originatingTerminalCode	Exactly 8	N/A
	dateAndTime	Exactly 12	N/A
	messageNumber	Exactly 4	N/A
Part 2	locality	Max. 70	Max. 256
	subscriberName	Max. 80	Max. 256
	streetName	Max. 70	Max. 256
	houseNumber	Max. 10	Max. 256
	forename	Max. 60	Max. 256
	headingInTheGuide	Max. 30	Max. 256
	professionCode	Max. 30	Max. 256
	additionalInformationForASelectiveSearch	Max. 30	Max. 256
	countyStateOrProvince	Max. 30	Max. 256
	category	Max. 30	Max. 256
	sequenceNumber	Exactly 1	N/A

10.2.3 Part 1 of the inquiry

10.2.3.1 Message indicators

The **messageIndicators** mandatory field signals that the inquiry is a directory assistance inquiry. It shall be filled with the four characters: \$ C R I.

If the length of the field is not exactly 4 characters, message code 22 shall be returned by the replying system.

NOTE – This field has no significance for the search, so although the inquiring system is required to fill this field exactly as specified, the replying system should not check the content of this field, only the length.

10.2.3.2 International indicators

The **internationalIndicators** mandatory field identifies the country codes of both the replying and inquiring systems. These codes consist of the country code as defined by [ITU-T E.164]. It has the following format:

xxxxyyyy

where:

xxxx = country code of the replying system (recipient)

yyyy = country code of the inquiring system (sender)

The maximum length for a country code is four characters. If less than four characters, the country code shall be right aligned and padded with zeroes.

Example: 00320031 – An inquiry goes from Netherlands to Belgium.

If the length of the field is not exactly 8 characters, message code 22 shall be returned by the replying system.

NOTE – This field is in version 2.00 and 2.01 replaced by the **countryName** and **providerCode** of the replying system. In version 2.10 it is replaced by **directory** name.

10.2.3.3 Originating terminal code

The **originatingTerminalCode** mandatory field shall hold a value generated by the inquiring system. The replying system shall echo this value in the reply (see clause 10.3.3.3).

This field may be used by an inquiring system to pair a reply with the corresponding inquiry and thereby route the reply back to the source of the inquiry, e.g., a particular workstation.

If the length of the field is not exactly 8 characters, message code 22 shall be returned by the replying system. Otherwise, the replying system shall not check the content of this field.

10.2.3.4 Date and time

The **dateAndTime** optional field gives the date and time of the origin of the inquiry.

Format: YYMMDDHHMMSS

If this field is present, it shall be echoed unchanged by the replying system back to the inquiring system (see clause 10.3.3.4).

If the length of the field is not exactly 12 characters, message code 22 shall be returned by the replying system.

NOTE – This field has no significance for the search, so the replying system should not check the content of this field, only the length.

10.2.3.5 Message number

The **messageNumber** optional field shall hold a message number generated by the inquiring system.

If this field is present, the content shall not be checked by the replying system, but shall be echoed unchanged back to the inquiring system (see clause 10.3.3.5).

If the length of the field is not exactly 4 characters, message code 22 shall be returned by the replying system.

10.2.4 Part 2 of the inquiry

This part of the inquiry has basic fields, as defined in clauses 10.2.4.1-10.2.4.2, and additional fields to improve the search, as defined in clauses 10.2.4.3-10.2.4.11.

10.2.4.1 Locality

The **locality** field, when present, shall hold the name of the locality according to its exact spelling.

Abbreviations are not permitted, except for the words "Sint", "Saint", "Sankt", "San", etc., which are abbreviated by the letter "S" followed by a space.

The locality name and county, state or province name (if supported) may be truncated. If this combination, when a search for subscribers is requested, matches more than one locality, a **localityList** shall be returned, unless a multiple location search is performed as specified by the #MLS keyword (see Annex A), in which case a **subscriberList** may be returned.

If the locality information identifies a single locality, the subscriber search shall be performed.

The mandatory minimum number of characters to be input should be fixed by each service provider and be mentioned in an operator's manual. The replying system should check whether this minimum is respected.

When a word is terminated by a full stop, this implies that the word is complete, when a word is not terminated by a full stop, this implies that the word might be either complete or not complete. When a specification consists of more than one word, the full stop is additional to the separating space. (DEN HAAG would be specified as "DEN.□HAAG" and not "DEN.HAAG", the □ is supposed to represent a space).

The matching to be performed is the following:

- words in the name may be truncated (may even be absent);
- completeness of a word may be indicated by a full stop that follows the word;
- absence of the above-mentioned full stop does not imply that the word is not complete.

To indicate that the number of words in the inquiry is complete, the character "#" may be used, and it shall then be inserted at the end of the field. Absence of the character "#" does not imply that not all words are present. If both the full stop, to indicate that the last word is complete, and the number sign are present, the full stop shall precede the number sign.

This field may, instead of a locality name, hold a postal code, if the postal code can be used for locating subscribers. The reply shall include the locality name.

If the **countyStateOrProvince** field is present and the **locality** field does not specify a location within that area, then message code 64 shall be returned, with the exception as listed below.

If the locality given is not part of the county, state or province given, but is part of another county, state or province, then the replying system may optionally return a **localityList** with this other county, state or province name together with the locality name.

10.2.4.2 Subscriber name

The **subscriberName**, when present, shall hold either the surname or trade name of the subscriber.

The subscriber's surname should be input according to its exact spelling.

Abbreviations should not be allowed. The mandatory minimum number of characters to be input should be fixed by each service provider and be mentioned in the operator's manual.

The replying system should check whether this minimum is respected. When a word is terminated by a full stop, this implies that the word is complete, when a word is not terminated by a full stop, this implies that the word might be either complete or not complete. When a specification consists of more than one word, the full stop is additional to the separating space.

When the subscriber's surname or trade name is replaced by initials, the characters composing the acronym shall be introduced successively without being separated by special signs or spaces.

NOTE 1 – Special signs are characters of the repertoire defined in clause 9.1.1, with the exception of the 26 lower case and 26 capital letters (a-z and A-Z) and the figures 0-9.

NOTE 2 – As examples, C&A or C & A shall be transmitted as CA and F.N.C.B. shall be transmitted as FNCB.

It is recommended to add the full stop when the acronym or abbreviation is fully specified (example: NATO.).

Numbers forming part of names or acronyms shall be introduced as numeric characters.

Some countries require the introduction of an additional family name (e.g., second family name, grandfather name, etc.). When relevant, this additional family name shall be entered as follows:

The additional family name shall be included in **subscriberName** field. It shall follow the subscriber name, if any, and it shall be preceded by an equals sign. There shall be no spaces before

and after the equals sign. Both the subscriber name and the additional family name are filter items to be matched against the listings of the database.

NOTE 3 – In Annex A, only the term *second family name* is used.

Support for the additional family name is mandatory.

10.2.4.3 Name of street or equivalent

The **streetName** field, when present, shall hold the name of the street according to its exact spelling.

The words "Sint", "Saint", "Sankt", "San", etc., should be abbreviated by the letter "S" followed by a space. The mandatory minimum number of characters to be input should be fixed by each service provider and be mentioned in the operator's manual. The inquiring system should check whether this minimum is respected. When a word is terminated by a full stop, this implies that the word is complete, when a word is not terminated by a full stop, this implies that the word might be either complete or not complete. When a specification consists of more than one word, the full stop is additional to the separating space. Numbers forming part of the name of the street shall be introduced as numeric characters.

10.2.4.4 House number

The **houseNumber** field, when present, identifies a house within a street. A possible numerical part of the house number shall precede the possible alphabetical part without separation. Non-significant zeroes shall be omitted.

10.2.4.5 Subscriber's forename

The **forename** field, when present, shall hold all of the forenames. Initials or a combination of forenames and initials shall always be separated by spaces.

10.2.4.6 Heading in the guide

The **headingInTheGuide** field shall be used for holding the business category when relevant. When this field is present, it acts as a filter item.

The business category describes for a business, institutional or governmental subscriber, the activity domain in which the business, institution or administrative authority is involved.

NACE codes may be used to refer to business categories to surmount language problems (see Appendix I).

The business category may be a general category, e.g., telecommunications, administrations, or a more specific activity, e.g., telecommunication mobile telephony, railways.

Example:

Hospitals	(Heading in the guide)		
Saint Luc			Hierarchical group
Church Street 12	number		
Reception			
Inquiries	number		
Emergencies	number		
Saint Anthony Heaven Lane 2..	number		Single entry
Saint Mary			Hierarchical group
Dead End 69	number		
Reception			
Inquiries	number		
Emergencies	number		

10.2.4.7 Profession code

The **professionCode** field shall not be present unless there is a bilateral agreement on its use.

This field, when present, shall be used to send specific codes according to the classification on business heading.

10.2.4.8 Additional information for a selective search

The **additionalInformationForASelectiveSearch** field is used for entering functional keywords (see clause 9.6). Multiple keywords shall be separated by a single space.

Additional data shall only be introduced if a bilateral agreement exists on its use. Each service provider will have to identify its specific use of this field and describe it in the operator's manual.

10.2.4.9 County, state or province

The **countyStateOrProvince** field, when present, provides search filter information about a higher-level locality. It shall not be present, unless there is a bilateral agreement on its use.

The matching to be performed will be the following:

- a word in the name can be truncated (can even be absent);
- completeness of a word can be indicated by a full stop that follows the word;
- absence of the above-mentioned full stop does not imply the word is not complete.

10.2.4.10 Category

The **category** field, when present, supplies information about the subscriber category. When present, it will act as a filter item to narrow the selections to those only of the requested category.

One and only one of the following upper case codes shall be placed in this field: **B** for Business, **R** for Residential and **G** for Government.

10.2.4.11 Sequence number

The **sequenceNumber** field indicates which page of the reply shall be sent (see clause 9.4). The number 0 (zero) (or if the field is omitted) indicates the first page, the number 1 the second page, etc. This number shall not be greater than 9.

10.3 Reply format

10.3.1 Structure of the reply

The structure of a reply is shown in Figure 6. It reflects the information returned by a replying system. If relevant, this information is assumed to be converted by the inquiring system into a format suitable for the presentation to the consumer.

If the amount of information to be returned is substantial, the replying system shall split selections into pages as specified in clause 9.4.

Part 1					Part 2			
Message indicators	International indicators	Originating terminal code	Date and time	Message number	Message code	Country code	Message	DB selection count

Part 3							
National destination code	Subscriber number	locality	Subscriber name	Forename	Street name or equivalent	House number	Supplementary data

Part 3 (end)						
Subscriber message	Heading in the guide	Profession code	Additional information for a selective search	County, state or province	Category	Subscriber description

Figure 6 – International reply format for version 1

The different fields of the reply for version 1 are described in clauses 10.3.3, 10.3.4 and 10.3.5.

10.3.2 Field lengths of reply

Table 8 lists the different fields with length requirements in characters. For variable-length fields, the maximum field length is given. A compliant implementation shall be able to receive inquiry messages up to the mandatory length dependent. An implementation may, by bilateral agreements, send up to the number of characters in the bilateral column.

Table 8 – Reply field lengths for version 1

	Field	Mandatory	Bilateral
Part 1	messageIndicators	Exactly 4	N/A
	internationalIndicators	Exactly 8	N/A
	originatingTerminalCode	Exactly 8	N/A
	dateAndTime	Exactly 12	N/A
	messageNumber	Exactly 4	N/A
Part 2	messageCode	Exactly 2	N/A
	countryCode	Exactly 4	N/A
	message	Max. 80	Max. 256
	dbSelectionCount	Max. 10	N/A

Table 8 – Reply field lengths for version 1

	Field	Mandatory	Bilateral
Part 3	nationalDestinationCode	Max. 13	N/A
	subscriberNumber	Max. 14	N/A
	locality	Max. 70	Max. 256
	subscriberName	Max. 80	Max. 256
	forename	Max. 60	Max. 256
	streetName	Max. 70	Max. 256
	houseNumber	Max. 10	Max. 256
	supplementaryData	Max. 30	Max. 256
	subscriberMessage	Exactly 1	Max. 256
	headingInTheGuide	Max. 30	Max. 256
	professionCode	Max. 30	Max. 256
	additionalInformationForASelectiveSearch	Max. 30	Max. 256
	countyStateOrProvince	Max. 30	Max. 256
	category	Max. 30	Max. 256
	subscriberDescription	N/A	Max. 256

10.3.3 Part 1 of the reply

This part of the reply holds general information not directly related to the individual returned selections (if any).

10.3.3.1 Message indicator

The **messageIndicators** mandatory field signals that the reply is a reply to a directory assistance inquiry from one DA system to another DA system. It shall be filled with the four characters: \$ C R I.

10.3.3.2 International indicators

The **internationalIndicators** mandatory field identifies both the codes of the country of the replying and inquiring systems. These codes consist of the country code as defined by [ITU-T E.164]. It has the following format:

yyyyxxxx;

where:

yyyy = country code of the inquiring system (recipient)

xxxx = country code of the replying system (sender)

Example: 00310032 – The reply goes from Belgium to the Netherlands.

10.3.3.3 Originating terminal code

The **originatingTerminalCode** mandatory field shall echo the corresponding field of the inquiry (see clause 10.2.3.3).

10.3.3.4 Date and time

The **dateAndTime** field shall, if the corresponding field is present in the inquiry (see clause 10.2.3.4), echo the date and time as generated by the inquiring system. Otherwise, this field shall be absent.

10.3.3.5 Message number

The **messageNumber** field shall, if the corresponding field is present in the inquiry (see clause 10.2.3.5), echo the message number as generated by the inquiring system. Otherwise, this field shall be absent.

10.3.4 Part 2 of the reply

This part of the reply holds additional general information not directly related to the individual returned selections (if any).

10.3.4.1 Message code

The **messageCode** mandatory field signals the outcome of the inquiry. The message codes are defined in Annex I.

NOTE – If the consumer is a human being, it is assumed that the inquiring system will convert the message code to a text message.

10.3.4.2 Country code

The **countryCode** mandatory field shall hold the common E.164 country code for the selections within Part 3 of the reply. It shall be placed in the first part of the field and padded with spaces up to four characters.

This value may be superseded for a particular selection with a value supplied by the #CCO keyword (if a bilateral agreement exists).

10.3.4.3 Message

The **message** field should only be used for urgent messages, for example, to announce short interruptions that cannot be announced in time in ways normally agreed upon among service providers.

It shall be sent with every reply as long as it is relevant, but not for more than 5 minutes.

It is a free text field. The message shall be in the English language.

The following are examples of urgent messages:

- System will be down from date/time GMT until date/time GMT.
- System will be down from date/time GMT for about 10 minutes.

10.3.4.4 DB selection count

The **dbSelectionCount** optional field provides a figure that indicates the number of selections that have been found by the replying system. If this figure is prefixed by a greater-than sign (>), it indicates that the number of selections exceeds this figure.

This field shall not be included unless there is a bilateral agreement on its use.

10.3.5 Part 3 of the reply

10.3.5.1 Structure of Part 3

If no selection was found to be returned, then one selection shall be returned echoing information from the corresponding inquiry as detailed for the individual fields.

NOTE – An inquiring system should be tolerant with respect to the presence of such an echo-selection and should rely on the message code and locally retained inquiry information.

If several communications addresses are to be returned for a given subscriber, then a selection shall be returned for each communications address.

10.3.5.2 National destination code

The **nationalDestinationCode** field shall be present when a national destination code exists, a subscriber is found, it is an **e164** type communications address and the subscriber's number may be disclosed. It shall be formatted as defined by [ITU-T E.164].

This field shall be absent if the national destination code does not exist, if it is not an **e164** type communications address or if the communications address is not to be disclosed.

10.3.5.3 Subscriber number

In version 1, this field is called **subscriberNumber**, while in version 2, it is called **commAddress**.

This field is used for holding a communications address (telephone number, e-mail address, URL, etc.).

This field shall be present when a subscriber is found having a communications address. Otherwise, it shall be absent.

An E.164 number shall not include a possible national destination code.

If the communications address may be disclosed, it shall be formatted according to the type of communications address.

The type of communications address may be signalled in the **supplementaryData** field (see clause 10.3.5.9).

If the number is not to be disclosed, this field shall be filled with one or more capital 'X' characters.

10.3.5.4 Locality

The **locality** field shall hold the location under which the subscriber has been found or a locality to be returned within a **localityList** or a **streetList**.

A postal code may be returned together with the name of the locality as follows:

- If a locality list is returned and the postal code is necessary to make the locality unambiguous, then the postal code shall be placed in front of the locality name separated with a single space.

NOTE – If the postal code is not necessary for making the locality unambiguous, then the postal code may be placed in the **supplementaryData** field.

- If a subscriber list is returned, the postal code, if included, shall be placed in front of the locality name separated by a single space.

If none of the list types mentioned in clause 8.5 is eligible for return, then:

- if the **locality** field was present in the inquiry, this field shall echo that field;
- if the **locality** field was not present in the inquiry, this field shall be absent.

When returning a **localityList**, the locality name may optionally be followed by a number sign, but it shall be followed by a number sign if it is needed in a follow-on inquiry to make the locality unambiguous.

A selection taken from the locality list and placed unchanged in the inquiry fields shall never result in a locality list as an answer.

10.3.5.5 Subscriber name

The **subscriberName** shall hold either the surname or trade name of the subscriber.

If a list other than a **subscriberList** is returned, this field shall be absent.

Some countries require the introduction of an additional family name. When relevant, this additional family name shall be entered as follows:

- The additional family name shall be included in the **subscriberName** field. It shall follow the subscriber name, if any, and it shall be preceded by an equals sign. There shall be no spaces before and after the equals sign.

If none of the list types mentioned in clause 8.5 is eligible for return, then:

- if the **subscriberName** field was present in the inquiry, this field shall echo that field;
- if the **subscriberName** field was not present in the inquiry, this field shall be absent.

The support for additional family name is mandatory.

10.3.5.6 Forename

The **forename** field, when present, shall hold the subscriber's forename.

If a list other than a **subscriberList** is returned, this field shall be absent.

If none of the list types mentioned in clause 8.5 is eligible for return, then:

- if the **forename** field was present in the inquiry, this field shall echo that field;
- if the **forename** field was not present in the inquiry, this field shall be absent.

10.3.5.7 Name of street or equivalent

The **streetName** optional field, when present, shall hold the name of the street or equivalent.

If a list other than a **subscriberList** or **streetList** is returned, this field shall be absent.

If none of the list types mentioned in clause 8.5 is eligible for return, then:

- if the **streetName** field was present in the inquiry, this field shall echo that field;
- if the **streetName** field was not present in the inquiry, this field shall be absent.

10.3.5.8 House number

The **houseNumber** field identifies a house within a street. A possible numerical part of the house number shall precede the possible alphabetical part without separation. Non-significant zeroes shall be omitted.

If a list other than a **subscriberList** is returned, this field shall be absent.

If none of the list types mentioned in clause 8.5 is eligible for return, then:

- if the **houseNumber** field was present in the inquiry, this field shall echo that field;
- if the **houseNumber** field was not present in the inquiry, this field shall be absent.

10.3.5.9 Supplementary data

If the **supplementaryData** field is present when returning a **subscriberList**, it shall hold supplementary information about the subscriber.

If this field is present when returning a **localityList**, it shall hold supplementary information about the locality.

If this field is present when returning a **businessCategoryList**, it shall hold supplementary information about the business category such as a more general business-area description field to which the business category returned belongs (for information and display only).

When descriptive keywords (see clause 9.6) are to be returned, they shall be returned within this field: If there are multiple keywords included, they shall be separated by a single space.

Only standardized descriptive keywords are allowed within this field.

As discussed in clause 10.3.5.4, when returning a **localityList**, a postal code may be returned in this field if it is considered to be supplementary information.

10.3.5.10 Subscriber message

The **subscriberMessage** optional field, when present, shall hold a coded message, which should be converted into text by the inquiring system.

The following codes are defined:

- 0 = no comment;
- 1 = subscriber changed address;
- 2 = refer to distant operator;
- 3 = message in freeform text giving additional information about the subscriber and to be included in this field separated by one space from the code.

10.3.5.11 Heading in the guide

The semantics of the **headingInTheGuide** field is described in clause 10.2.4.6.

This field shall be used for holding a business category, when relevant, for a subscriber in a **subscriberList** and when returning a **businessCategoryList**.

If a list other than a **subscriberList** or **businessCategoryList** is returned, this field shall be absent.

If none of the list types mentioned in clause 8.5 is eligible for return, then:

- if the **headingInTheGuide** field was present in the inquiry, this field shall echo that field;
- if the **headingInTheGuide** field was not present in the inquiry, this field shall be absent.

10.3.5.12 Profession code

The **professionCode** field, when present, is used to send specific codes according to classification on business heading.

If a list other than a **subscriberList** is returned, this field shall be absent.

If none of the list types mentioned in clause 8.5 is eligible for return, then:

- if the **professionCode** field was present in the inquiry, this field shall echo that field;
- if the **professionCode** field was not present in the inquiry, this field shall be absent.

10.3.5.13 Additional information for a selective search

The **additionalInformationForASelectiveSearch** optional field, when present, shall hold information as specified by each service provider in the operator's manual.

If none of the list types mentioned in clause 8.5 is eligible for return, then:

- if the **additionalInformationForASelectiveSearch** field was present in the inquiry, this field shall echo that field;

- if the **additionalInformationForASelectiveSearch** field was not present in the inquiry, this field shall be absent.

10.3.5.14 County, state or province

The **countyStateOrProvince** optional field, when present, shall hold the county, state or province name.

If a **businessCategoryList** is returned, this field shall be absent.

If none of the list types mentioned in clause 8.5 is eligible for return, then:

- if the **countyStateOrProvince** field was present in the inquiry, this field shall echo that field;
- if the **countyStateOrProvince** field was not present in the inquiry, this field shall be absent.

10.3.5.15 Category

The **category** optional field may supply information about the subscriber category. If a list other than a **subscriberList** is returned, this field shall be absent.

One and only one of the following upper case codes shall be placed in this field: **B** for Business, **R** for Residential and **G** for Government.

If none of the list types mentioned in clause 8.5 is eligible for return, then:

- if the **category** field was present in the inquiry, this field shall echo that field;
- if the **category** field was not present in the inquiry, this field shall be absent.

10.3.5.16 Subscriber description

The **subscriberDescription** optional field is used for providing additional information about the subscriber in free text (e.g., "Open 24/24 hours").

This field shall be absent for other than a **subscriberList**.

This field shall be absent unless there exists a bilateral agreement on its use.

SECTION 2

VERSION 2.00 AND 2.01 OF THE ITU-T E.115 PROTOCOL

11 Versions 2.00 and 2.01 of the directory assistance protocol specification

11.1 Overview

A DA transaction consists of an inquiry and a reply. The format of the inquiry is shown in Figure 7. The details are given in clause 11.2. The format of the reply is shown in Figures 8 and 9. The details are given in clause 11.3.

Several transactions may be in progress simultaneously on the same connection between an inquiring system and a replying system. Replies may come back in a different order than the order of inquiries. The **originatingTerminalCode** field (see clause 11.2.3.1) may be used for pairing inquires and replies.

11.2 Inquiry format

11.2.1 Structure of the inquiry

The structure of an inquiry for version 2 is shown in Figure 7. It reflects the information as entered by a consumer and formatted by the inquiring system. The information is used by the replying system to search the database for listings that match the inquiry.

Inquiry header								
Originating terminal code	Date and time	Message number	Country name	Provider code	Inquiry character set	Reply character set	Requested reply type	Accepted reply types

Inquiry header (end)					Inquiry data				
Inquiry coordinate type		Reply coordinate type		Inquiry language (version 2.01 only)	Reply language (version 2.01 only)	locality	Subscriber name	Street name or equivalent	House number
Geodetic datum	Geographical type	Geodetic datum	Geographical type						

Inquiry data (cont.)								
Forename	Heading in the guide	Profession code	County, State or Province	Category	Sequence number	Postal code	National destination code	Communications address

Inquiry data (end)									
Communication address types	Additional name	Communication address service	Communication address characteristics	Geographical expansion	Search coordinates		Search radius	Matching rules	Maximum selection level
					Latitude	Longitude			

Figure 7 – Inquiry format for version 2

The different fields of the inquiry for version 2 are described in clauses 11.2.3 and 11.2.4.

11.2.2 Inquiry field lengths

Table 9 lists the inquiry field length, in characters, of the different fields. Some fields have a fixed length, while other fields have a variable length with a specified maximum length. A compliant implementation shall be able to receive inquiry messages up to the maximum or fixed length.

NOTE – A character may, in UTF-8 encoding, take more than one octet.

Table 9 – Inquiry field lengths for version 2

	Field		Length
Inquiry header	originatingTerminalCode		Exactly 8
	dateAndTime		Exactly 12
	messageNumber		Exactly 4
	countryName		Exactly 2
	providerCode		Max. 256
	inquiryCharacterSubset		Determined by enumerated values
	replyCharacterSubset		Determined by enumerated values
	requestedReplyType		Determined by enumerated values
	acceptedReplyTypes		Determined by included subfields
	inquiryCoordinateType	geodeticDatum	Max. 256
		geographical	Max. 3
	replyCoordinateType	geodeticDatum	Max. 256
		geographical	Max. 3
	inquiryLanguage		Exactly 3
replyLanguage		Exactly 3	
Inquiry data	locality		Max. 256
	subscriberName		Max. 256
	streetName		Max. 256
	houseNumber		Max. 256
	forename		Max. 256
	headingInTheGuide		Max. 256
	professionCode		Max. 256
	countyStateOrProvince		Max. 256
	category		Determined by included subfields
	sequenceNumber		Max. 2
	postalCode		Max. 256
	nationalDestinationCode		Max. 14
	commAddress		Max. 256
	commAddressTypes		Determined by included subfields
	additionalName		Max. 256
	commAddressService		Determined by included subfields
	commAddressChar		Determined by included subfields
	geoExpansion		Max. 3
	searchCoordinate	latitude	256
		longitude	256
	searchRadius		Max. 9
	matchingRule		Determined by included subfields
	maxSelectionLevel		Max. 3

11.2.3 Inquiry header

11.2.3.1 Originating terminal code

The **originatingTerminalCode** mandatory field shall hold a value generated by the inquiring system. The replying system shall echo this value in the reply (see clause 11.3.3.1).

This field may be used by an inquiring system to pair a reply with the corresponding inquiry and thereby route the reply back to the source of the inquiry, e.g., a particular workstation.

If the length of the field is not exactly 8 characters, message code 22 shall be returned by the replying system. Otherwise, the replying system shall not check the content of this field.

11.2.3.2 Date and time

The **dateAndTime** optional field gives the date and time of the origin of the inquiry.

Format: YYMMDDHHMMSS

If this field is present, it shall be echoed unchanged by the replying system back to the inquiring system (see clause 11.3.3.2).

If the length of the field is not exactly 12 characters, message code 22 shall be returned by the replying system.

NOTE – This field has no significance for the search, so the replying system should not check the content of this field, only the length.

11.2.3.3 Message number

The **messageNumber** optional field, when present, shall hold a message number generated by the inquiring system.

If this field is present, the content shall not be checked by the replying system, but shall be echoed unchanged back to the inquiring system (see clause 11.3.3.3).

If the length of the field is not exactly 4 characters, message code 22 shall be returned by the replying system.

11.2.3.4 Country name/Country code

This field is called **countryName** for version 2.00 and is called **countryCode** for version 2.01.

This field shall always be present. The value shall be the country code of the system intended to process the inquiry, and it shall consist of two characters as defined by [ISO 3166-1] alpha 2.

NOTE 1 – [ISO 3166-1] uses the term "country code", but [ITU-T E.164] uses the same term for a data type having a different syntax. To avoid confusion, the ISO 3166-1 country code is for version 2.00 called "country name". However, for version 2.01, the ITU-T E.164 term has been changed to "country calling code" (see Note in clause 11.3.4.4).

This field is used together with the **providerCode** field, if present, to determine the DA system that is intended to process the inquiry. If the identified DA system is different from the recipient DA system, the recipient DA system shall forward the inquiry to the intended DA system, if possible.

If the country code is not exactly two characters or it is not one of those supported by the replying system, a message code 4K shall be returned.

NOTE 2 – If a non-supported country code is received by the replying system, it is not required to check whether it is a valid country code.

11.2.3.5 Provider code

The **providerCode** field shall be present if the **countryName** for version 2.00 or **countryCode** for version 2.01 alone is not sufficient to identify a particular DA system.

The value shall be the code for the service provider managing the system intended to process the inquiry. Creation, maintenance and access to such a list of codes are by means outside the scope of this Recommendation.

If the provider code is not one of those supported by the replying system, a message code 4L shall be returned by the replying system.

If the provider code is not included when the replying system has access to multiple DA systems within the indicated country and none of those systems is designated as the default system for the country (see clause 6.2), the message code 4M shall be returned by the replying system.

11.2.3.6 Inquiry character subset

The **inquiryCharacterSubset** field indicates which ISO/IEC 10646 character repertoire is used for the inquiry. It can take one of the following values:

- a) **basic**, which means that only the ITU-T E.115 **basic** subset, as defined in clause 9.1.3.2, is used;
- b) **latin1**, which means that the ITU-T E.115 **latin1** subset, as defined in clause 9.1.3.3, is used;
- c) **latin-ext**, which means that the ITU-T E.115 **latin-ext** subset, as defined in clause 9.1.3.4, is used;
- d) **cyrillic**, which means that the ITU-T E.115 **cyrillic** subset, as defined in clause 9.1.3.5, is used;
- e) **greek**, which means that the ITU-T E.115 **greek** subset, as defined in clause 9.1.3.6, is used; or
- f) **arabic**, which means that the ITU-T E.115 **arabic** subset, as defined in clause 9.1.3.7, is used.

If this field is absent, it defaults to **basic**.

The ITU-T E.115 **basic** character subset shall be supported.

If the specified ITU-T E.115 character subset is not supported by the replying system or if the specified subset is unknown to the replying system, the Message Code 4D shall be returned.

NOTE – New ITU-T E.115 character subsets may be defined in future versions and releases. By treating an unknown subset as an unsupported subset, a back-level implementation may interwork with more advanced implementations.

11.2.3.7 Reply character subset

The **replyCharacterSubset** field indicates which ISO/IEC 10646 character repertoire the inquiring system wants the replying system to use for the reply. It can take one of the following values:

- a) **basic**, which means that only the ITU-T E.115 **basic** character subset, as defined in clause 9.1.3.2, shall be used;
- b) **latin1**, which means that the ITU-T E.115 **latin1** character subset, as defined in clause 9.1.3.3, is requested to be used;
- c) **latin-ext**, which means that the ITU-T E.115 **latin-ext** character subset, as defined in clause 9.1.3.4, is requested to be used;

- d) **cyrillic**, which means that the ITU-T E.115 **cyrillic** character subset, as defined in clause 9.1.3.5, is requested to be used;
- e) **greek**, which means that the ITU-T E.115 **greek** character subset, as defined in clause 9.1.3.6, is requested to be used; or
- f) **arabic**, which means that the ITU-T E.115 **arabic** character subset, as defined in clause 9.1.3.7, is requested to be used.

If this field is absent, it defaults to **latin1**.

If the specified ITU-T E.115 character subset is not supported by the replying system or if the specified subset is unknown to the replying system, the Message Code 4E shall be returned.

11.2.3.8 Requested reply type

The **requestedReplyType** optional field indicates which selection list type (reply type) the requester is expecting. If present, one and only one of the following reply types shall be specified:

- a) **subscriberList**;
- b) **localityList**;
- c) **businessCategoryList**;
- d) **streetList**; or
- e) **provinceList**.

If this field is absent, it defaults to **subscriberList**.

It is a local decision which search filter items apply to each type of list. The typical cases are:

- a) **localityList**:
 - **nationalDestinationCode**;
 - **countyStateOrProvince**;
 - **locality**;
 - **postalCode**.
- b) **streetList**:
 - **streetName**.
- c) **businessCategoryList**:
 - **headingInTheGuide**.
- d) **provinceList**:
 - **countyStateOrProvince**.

11.2.3.9 Accepted reply types

The **acceptedReplyTypes** optional field has subfields indicating the types of accepted reply types (see below). A subfield, when present, shall be represented by an XML attribute of the **acceptedReplyTypes** empty element, and shall always have the value **true**.

If an inquiring system indicates a type of list in the **acceptedReplyTypes**, it is to be interpreted that the inquiring system accepts receiving this type of list if the values in the corresponding search filter items would result in more than one selection in this list. If several list types are indicated, it is a local decision as to which type of list to return.

If this field is present, one or more of the following subfields shall be supplied:

- a) **localityList**;

- b) **businessCategoryList**;
- c) **streetList**; and
- d) **provinceList**.

If the requested reply type cannot be returned and this field is absent or the replying system does not support the relevant reply type, the replying system shall issue the appropriate message code.

A replying system shall not return a list type not specified in either **requestedReplyType** or **acceptedReplyTypes**.

If the **businessCategoryList** is specified in the **requestedReplyType** field or in the **acceptedReplyTypes** field, but a **localityList** or **provinceList** is to be returned due to ambiguity, then such a list, if it is part of the **acceptedReplyTypes**, takes precedence over the **businessCategoryList**.

If none of the reply types specified in the **requestedReplyType** and in **acceptedReplyTypes** is supported, known by the replying system or relevant for the reply, a message code 45 shall be returned by the replying system.

11.2.3.10 Inquiry coordinate type

The **inquiryCoordinateType** optional field indicates the characteristics of **searchCoordinate** (see clause 11.2.4.19). When present, it shall have the following mandatory subfields:

- a) **geodeticDatum** – This subfield specifies the type of coordinate system by which the **searchCoordinate latitude** and **longitude** subfields are expressed. This subfield is an XML attribute of the empty **inquiryCoordinateType** element.
- b) **geographical** – This subfield gives the syntax of the coordinates given for the **searchCoordinate latitude** and **longitude** subfields. This subfield is an XML attribute of the empty **inquiryCoordinateType** element. It shall take one of the following values:
 - **dms**, which means that the coordinates are given in the degrees-minutes-seconds format. The format shall be **ddd:mm:ss** optionally followed by a point and a figure indicating tens of seconds. West longitudes and south latitudes are expressed as negative values;
 - **dd**, which means that the coordinates are given in degrees and a decimal fraction of a degree; or
NOTE 1 – **dd** 36.5 would be the same value as **dms** 36:30:00.
 - **dec**, which means that the coordinates are given as a decimal figure.
NOTE 2 – Notation in **dec** allows any decimal figure, not necessarily related to degrees (e.g., 2920631).

11.2.3.11 Reply coordinate type

The **replyCoordinateType** optional field indicates the requested characteristics of **searchCenter** and **selectionCoordinate** of the reply (see clauses 11.3.3.8 and 11.3.4.24). When present, it shall have the following mandatory subfields:

- a) **geodeticDatum** – This subfield specifies the type of coordinate system by which the **latitude** and **longitude** subfields of **searchCenter** and **selectionCoordinate** should be expressed. This subfield is an XML attribute of the empty **replyCoordinateType** element.

- b) **geographical** – This subfield gives the syntax of the coordinates that should be used for the **searchCoordinate latitude** and **longitude** subfields of **searchCenter** and **selectionCoordinate** in the reply. This subfield is an XML attribute of the **replyCoordinateType** empty element. It shall take one of the values specified in clause 11.2.3.10 b).

11.2.3.12 Inquiry language (2.01)

This clause only applies to version 2.01.

The **inquiryLanguage** field indicates the language used in the inquiry. It shall be a three-character language code as defined by [ISO 639-3].

If the language code is not exactly three characters or it is not one of those supported by the replying system, a message code 4I shall be returned by the replying system.

NOTE – If a non-supported language code is received by the replying system, it is not required to check whether it is a valid language code.

11.2.3.13 Reply language (2.01)

This clause only applies to version 2.01.

The **replyLanguage** field indicates which language the replying system is requested to use in the reply. It shall be a three-character language code as defined by [ISO 639-3].

If the language code is not exactly three characters or it is not one of those supported by the replying system, a message code 4J shall be returned by the replying system.

NOTE – If a non-supported language code is received by the replying system, it is not required to check whether it is a valid language code.

11.2.4 Inquiry data

11.2.4.1 Locality

The **locality** field, when present, shall hold the locality code or the name of the locality according to its exact spelling. In the case of a locality code, this should be one word followed by a dot "." (example:"DUB." = Dublin). The words "Sint", "Saint", "Sankt", "San", etc., should be abbreviated by the letter "S" followed by a dot ".".

The locality name and county, state or province name (if supported) may be truncated. If this combination, when a **subscriberList** is requested, matches more than one locality, a **localityList** should be returned if **localityList** is specified in the **acceptedReplyTypes**. Otherwise, a **subscriberList** may be returned.

If the locality information identifies a single locality, the subscriber search shall be performed.

The mandatory minimum number of characters to be input should be fixed by each service provider and be mentioned in an operator's manual. The replying system should check whether this minimum is respected. If this is not the case, a message code 51 may be returned.

When a word is terminated by a full stop, this implies that the word is complete, when a word is not terminated by a full stop, this implies that the word might be either complete or not complete. When a specification consists of more than one word, the full stop is additional to the separating space. (DEN HAAG would be specified as "DEN.□HAAG" and not "DEN.HAAG", the □ is supposed to represent a blank).

The matching to be performed is the following:

- words in the name may be truncated (may even be absent);
- completeness of a word may be indicated by a full stop that follows the word;

- absence of the above-mentioned full stop does not imply that the word is not complete.

To indicate that the number of words in the inquiry is complete, the character "#" may be used, and it shall then be inserted at the end of the field. Absence of the character "#" does not imply that not all words are present. If both the full stop, to indicate that the last word is complete, and the number sign are present, the full stop shall precede the number sign. If this field is copied from a **localityList** resulting from a previous inquiry, it shall be copied exactly as received, e.g., a possible "#" ending character shall be included.

If the **countyStateOrProvince** field is present and the **locality** field does not specify a location within that area, then message code 64 shall be returned, with the exception, as listed below, for the protocol version specific considerations.

If the locality given is not part of the county, state or province given, but is part of another county, state or province, and the **acceptedReplyTypes** specifies **localityList**, then the replying system may optionally return a **localityList** with this other county, state or province name together with the locality name.

11.2.4.2 Subscriber name

The **subscriberName**, when present, shall hold either the surname or trade name of the subscriber. The subscriber's surname should be input according to its exact spelling. The mandatory minimum number of characters to be input should be fixed by each service provider and be mentioned in the operator's manual.

The replying system should check whether this minimum is respected. When a word is terminated by a full stop, this implies that the word is complete, when a word is not terminated by a full stop, this implies that the word might be either complete or not complete. When a specification consists of more than one word, the full stop is additional to the separating space.

When the subscriber's surname or trade name is replaced by initials, the characters composing the acronym shall be introduced successively without being separated by special signs or spaces.

NOTE 1 – Special signs are characters of the repertoire defined in clause 9.1.1, with the exception of the 26 lower case and 26 capital letters (a-z and A-Z) and the figures 0-9.

NOTE 2 – As examples, C&A or C & A shall be transmitted as CA and F.N.C.B. shall be transmitted as FNCB.

It is recommended to add the full stop when the acronym or abbreviation is fully specified (example: NATO.).

Numbers forming part of names or acronyms shall be introduced as numeric characters.

11.2.4.3 Name of street or equivalent

The **streetName** field, when present, shall hold the name of the street according to its exact spelling. The words "Sint", "Saint", "Sankt", "San", etc., should be abbreviated by the letter "S" followed by a dot ".".

The mandatory minimum number of characters to be input should be fixed by each service provider and be mentioned in the operator's manual. The inquiring system should check whether this minimum is respected. When a word is terminated by a full stop, this implies that the word is complete, when a word is not terminated by a full stop, this implies that the word might be either complete or not complete. When a specification consists of more than one word, the full stop is additional to the separating space. Numbers forming part of the name of the street shall be introduced as numeric characters.

To indicate that the number of words in the inquiry is complete, the character "#" may be used, and it shall then be inserted at the end of the field. Absence of the character "#" does not imply that not

all words are present. If both the full stop, to indicate that the last word is complete, and the number sign are present, the full stop shall precede the number sign.

If this field is copied from a **streetList** resulting from a previous inquiry, it shall be copied exactly as received, e.g., a possible "#" ending character shall be included.

11.2.4.4 House number

The **houseNumber** field, when present, identifies a house within a street. A possible numerical part of the house number shall precede the possible alphabetical part without separation. Non-significant zeroes shall be omitted.

11.2.4.5 Subscriber's forename

The **forename** field, when present, shall hold all of the forenames. Initials or a combination of forenames and initials shall always be separated by spaces.

11.2.4.6 Heading in the guide

The **headingInTheGuide** field shall be used for holding the business category when relevant. When this field is present, it acts as a filter item.

The business category describes for a business, institutional or governmental subscriber, the activity domain in which the business, institution or administrative authority is involved.

To indicate that the number of words in the inquiry is complete, the character "#" may be used, and it shall then be inserted at the end of the field. Absence of the character "#" does not imply that not all words are present. If both the full stop, to indicate that the last word is complete, and the number sign are present, the full stop shall precede the number sign.

If this field is copied from a **businessCategoryList** resulting from a previous inquiry, it shall be copied exactly as received, e.g., a possible "#" ending character shall be included.

NACE codes may be used to refer to business categories to surmount language problems (see Appendix I).

It may be a general category, e.g., telecommunications, administrations, or a more specific activity, e.g., telecommunication mobile telephony, railways.

For an example, see clause 10.2.4.6.

11.2.4.7 Profession code

The **professionCode** shall not be present for other than residential subscribers.

This field, when present, specifies for a residential subscriber the profession, job, or academic title, and acts as a filter item.

11.2.4.8 County, state or province

The **countyStateOrProvince** field, when present, shall hold the county, state or province code or the name of the county, state or province according to its exact spelling.

In the case of a county, state or province code this should be one word followed by a dot "." (example: "NY." = New York).

To indicate that the number of words in the inquiry is complete, the character "#" may be used, and it shall then be inserted at the end of the field. Absence of the character "#" does not imply that not all words are present. If both the full stop, to indicate that the last word is complete, and the number sign are present, the full stop shall precede the number sign.

If this field is copied from a **provinceList** resulting from a previous inquiry, it shall be copied exactly as received, e.g., a possible "#" ending character shall be included.

11.2.4.9 Category

The **category** field, when present, supplies information about the subscriber category. When present, it will act as a filter item to narrow the selections to be only of the requested category.

This field has subfields indicating the types of subscriber categories (see below). A subfield, shall, when present, be represented by an XML attribute of the **category** empty element, and shall always have the value **true**.

When present, one or more of the following subfields shall be supplied:

- a) **business**: When present, only listings of this category shall be considered for selection;
- b) **residential**: When present, only listings of this category shall be considered for selection;
- c) **government**: When present, only listings of this category shall be considered for selection.

When present, this field shall be treated as a filter item. If several subfields are present, they shall individually be matched against listings and the results shall be logical OR'ed.

Not all replying systems may support all the categories. If only one subfield is included, and this category is not supported, the replying system shall return message code 40 (required service not supported). If several subfields are supplied and the replying system supports some, but not all the specified categories, then it is a local option by the replying system whether to ignore the unsupported categories and apply only the supported ones, or whether to return message code 40.

11.2.4.10 Sequence number

The **sequenceNumber** field indicates which page of the reply shall be sent (see clause 9.4). The number 0 (zero) (or if the field is omitted) indicates the first page, the number 1 the second page, etc. This number shall not be greater than 9. The sequence number shall be sent as a single numeric character.

NOTE – The **sequenceNumber** field is in the formal specification defined as having a length of one or two numeric characters to cope with possible future extensions.

11.2.4.11 Postal code

The **postalCode** field, when present, acts as a filter item to narrow the search.

11.2.4.12 National destination code

The **nationalDestinationCode** optional field acts as a filter item to narrow the search.

If present, it shall hold the telephone national destination code as defined by [ITU-T E.164].

11.2.4.13 Communications address

The **commAddress** field shall be present if the inquiring system wants to perform a reverse search based on a particular communications address. If it is an E.164 number, it shall be the complete national number, including a possible national destination code, but excluding the country code.

NOTE – A reverse search is a search where the communications address is known and the corresponding subscriber identity is searched.

The type of communications address shall be signalled in the **commAddressTypes** field (see clause 11.2.4.14).

If the search is performed, but no subscriber is found, message code 92 shall be returned.

In case the replying system does not support reverse searches, either in general or for the specific communications address type, the replying system shall return a message code 43 or 44, depending on whether the replying system does not support the type of search for this particular inquiring system or does not support the type of search at all.

11.2.4.14 Communications address types

The **commAddressTypes** optional field has subfields indicating the types of communications addresses (see below). A subfield, when present, shall be represented by an XML attribute of the **commAddressTypes** empty element, and shall always have the value **true**.

When a communications address is supplied in the **commAddress** field, this field, when present, shall hold one and only one subfield indicating the type of communications address (see below) that has been supplied in the **commAddress** field.

When a communications address is not supplied in the **commAddress** field, this field, when present, shall hold one or more of the following subfields:

- a) **e164** for version 2.00 and **phone** for later versions: When this subfield is present, only listings holding an E.164 type communications address shall be considered for selection;
- b) **rfc822** for version 2.00 and **email** for later versions: When this subfield is present, only listings holding an IETF RFC 822 type communications address (e-mail address) shall be considered for selection;
- c) **rfc1738** for version 2.00 and **uri** for later versions: When this subfield is present, only listings holding an IETF RFC 1738 type communications address (URI) shall be considered for selection.

If all supplied communications address types are unknown or unsupported, Message code 4F shall be returned. If at least one of the supplied communications address types is supported, then the replying system shall either ignore the unknown types or return Message code 4F.

When present, this field shall be treated as a filter item. If several subfields are present, they shall individually be matched against listings and the results shall be logical OR'ed.

11.2.4.15 Additional naming information

Some countries require the introduction of an additional family name (e.g., second family name, grandfather name, etc.).

When an additional family name is to be included as a filter item, it shall be supplied in the **additionalName** field (without the equals sign as required for version 1).

This field may also be used for other naming information relevant to countries or cultures.

The specific use of this field shall be specified in the operator's manual.

11.2.4.16 Communications address service

The **commAddressService** optional field specifies requirements on the type of service to be accessed through the communications address for returned subscriber selections. This field has subfields indicating types of communications address service (see below). A subfield, when present, shall be represented by an XML attribute of the **commAddressService** empty element, and shall always have the value **true**.

When present, one or more of the following subfields shall be supplied:

- a) **fax**: Only listings holding a communications address that supports fax shall be considered for selection;
- b) **pbx**: Only listings holding a communications address of a PBX shall be considered for selection. This subfield shall not be included unless the communications address type is a telephone number according to [ITU-T E.164];
- c) **txt**: Only listings holding a communications address for a text telephone shall be considered for selection. This subfield shall not be included unless the communications address type is a telephone number according to [ITU-T E.164];

- d) **pub**: Only listings holding a communications address for a public telephone shall be considered for selection. This subfield shall not be included unless the communications address type is a telephone number according to [ITU-T E.164];
- e) **vid**: Only listings holding a communications address for a video telephone shall be considered for selection;
- f) **pag**: Only listings holding a communications address of a pager shall be considered for selection. This subfield shall not be included unless the communications address type is a telephone number according to [ITU-T E.164];
- g) **voice**: Only listings holding a communications address that supports voice communication shall be considered for selection;
- h) **data**: Only listings holding a communications address that supports data transmission shall be considered for selection;
- i) **http**: Only listings holding a communications address that supports HTTP communication shall be considered for selection;
- j) **ftp**: Only listings holding a communications address that supports FTP communication shall be considered for selection;
- k) **eml**: Only listings holding a communications address that supports e-mail communication shall be considered for selection;
- l) **sms**: Only listings holding a communications address that supports SMS communication shall be considered for selection;
- m) **mms**: Only listings holding a communications address that supports MMS communication shall be considered for selection;
- n) **emg**: Only listings holding a communications address for emergency messages shall be considered for selection.

If all supplied communications address services are unknown or unsupported, Message code 4G shall be returned. If at least one of the supplied communications address services is supported, then the replying system shall either ignore the unknown services or return Message code 4G.

When present, this field shall be treated as a filter item. If several subfields are included, they shall individually be matched against a particular listing and the results shall be logical OR'ed.

11.2.4.17 Communications address characteristics

The **commAddressChar** optional field specifies requirements based on the type of characteristics associated with the communications address for returned subscriber selections. This field has subfields indicating the types of communications address characteristics (see below). A subfield, when present, shall be represented by an XML attribute of the **commAddressChar** empty element, and shall always have the value **true**.

When present, one or more of the following subfields shall be supplied:

- a) **ftn**: Only listings holding a communications address that is a tax free E.164 (telephone) number shall be considered for selection.
- b) **mob**: Only listings holding a communications address for a mobile device shall be considered for selection.
- c) **fixed**: Only listings holding a communications address for a fixed device shall be considered for selection.

If all supplied communications address characteristics are unknown or unsupported, Message code 4H shall be returned. If at least one of the supplied communications address characteristics is

supported, then the replying system shall either ignore the unknown characteristics or return Message code 4H.

When present, this field shall be treated as a filter item. If several subfields are included, they shall individually be matched against listings and the results shall be logical OR'ed.

11.2.4.18 Geographical expansion

The **geoExpansion** field, when present, shall hold a numeric character indicating the level of geographical extension. A higher number implies a higher degree of expansion. The actual mapping is determined locally by the replying system.

NOTE – Information about the expansion policy should be described in the operator's manual.

11.2.4.19 Search coordinate

The **searchCoordinate** optional field is used when performing a search in relation to a specific location and then specifies the coordinates of that location. It may specify the coordinates of the centre for a proximity search.

This field, when present, has the following mandatory subfields:

- a) **latitude** – This subfield gives the latitude of the location using the syntax specified by the **geographical** subfield. This subfield is an XML attribute of the empty **searchCoordinate** element.
- b) **longitude** – This subfield gives the longitude of the location using the syntax specified by the **geographical** subfield. This subfield is an XML attribute of the empty **searchCoordinate** element.

11.2.4.20 Search radius

This **searchRadius** optional field shall not be present unless the **searchCoordinate** field is present. When present, it indicates the radius of a proximity search. It shall be expressed using numeric characters. The mapping of the number to a real distance is service-provider dependent and shall be specified in the operator's manual.

11.2.4.21 Matching rules

The **matchingRule** optional field is used by the inquiring system to ask for particular matching behaviour instead of the default matching performed by the replying system.

This field, when present, shall have one or more of the following Boolean subfields:

- a) **wordRotation**: If it has the value **true**, it indicates that the words in some filter items of the inquiry may not be supplied in the right order and the replying system should use word rotation matching for the relevant filter items. It is a local choice as to which filter items are relevant for word rotation. If it has the value **false**, word rotation shall not be performed on any filter item. If this subfield is absent, it is a local decision by the replying system whether to perform word rotation matching.
- b) **phonetic**: If it has the value **true**, it indicates that some filter items of the inquiry may not have the exact spelling, but might be spelled according to their pronunciation and that the replying system should perform phonetic matching for the relevant filter items. It is a local choice as to which filter items are relevant for phonetic matching. If it has the value **false**, phonetic matching shall not be performed on any filter item. If this subfield is absent, it is a local decision by the replying system whether to perform phonetic matching.
- c) **alias**: Some filter items of an inquiry may have a value that does not match any value within the database of a replying system, but a synonym of that value might match. This may in particular be the case for **businessCategories**, where there may be different

synonyms for particular business categories. As an example, *coiffeur* and *hairdresser* are synonyms for the same business category. If this subfield has the value **true**, it indicates that the replying systems should apply alias matching, that it should try to use synonyms for the relevant fields. It is a local choice as to which filter items are relevant for alias matching. If it has the value **false**, alias matching shall not be performed on any filter item. If this subfield is absent, it is a local decision by the replying system whether to perform alias matching.

These subfields are represented by XML attributes of the **matchingRule** empty element.

11.2.4.22 Maximum selection level

The **maxSelectionLevel** field allows the inquiring system to specify the maximum level of grouped listings to be searched and from which selections are to be returned.

The value is specified as a numeric character, where level "0" is the top level.

The default value is "99".

11.3 Reply format

11.3.1 Structure of the reply

The structure of a reply for version 2.00 is shown in Figure 8 and for version 2.01 is shown in Figure 9. These structures reflect the information returned by a replying system. If relevant, this information is assumed to be converted by the inquiring system into a format suitable for the presentation for the consumer.

Reply header							
Originating terminal code	Date and time	Message number	Message code	Message	DB Selection count	Reply coordinate type	
						Geodetic datum	Geographical type

Reply header		Selection 1							
Search center	National destination code	Communications address	locality	Subscriber name	Forename	Street name or equivalent	House number	Supplementary data	
									Latitude

Selection 1 (cont.)								
Subscriber message	Heading in the guide	Profession code	County, State or Province	Subscriber description	Category	Country code	Postal code	Communication address type

Selection 1 (cont.)								
Communication address service	Communication address characteristics	Distance	Additional name	Selection coordinates				
				Latitude	Longitude	Geodetic datum	Projection	Geographical type

Selection 1(end)	Selection 2	Selection 3	● ● ●	Selection n
Selection level				

Figure 8 – International reply format for version 2.00

Reply header									
Originating terminal code	Date and time	Message number	Message code	Message	DB Selection count	Reply coordinate type		Search center	
						Geodetic datum	Geographical type	Latitude	Longitude

Selection 1																	
Communications addresses																	
Phone						Email			Phone		URI	URI	Email		Phone		URI
Country calling code	National Destination Code	Number	Phone service	Phone charact.	Restriction	Address	Email charact.	Restriction				Restriction					

Selection 1 (cont.)								
locality	Subscriber name	Forename	Street name or equivalent	House number	Supplementary data	Subscriber message	Heading in the guide	Profession code

Selection 1 (cont.)							
County, State or Province	Subscriber description	Category	Postal code	Distance	Additional name	Selection coordinates	
						Latitude	Longitude

Selection 1(end)	Selection 2	Selection 3	• • •	Selection n
Selection level				

Figure 9 – International reply format for version 2.01

If the amount of information to be returned is substantial, the replying system shall split selections into pages as specified in clause 9.4.

The different fields of the reply for version 2 are described in clauses 11.3.3 and 11.3.4.

11.3.2 Field lengths of reply

Tables 10 and 11 list the different fields with length requirements in characters. For variable length fields, the maximum field length is given. A compliant implementation shall be able to receive reply messages up to the maximum length.

Table 10 – Reply field lengths for version 2.00

	Field	Length	
Reply header	originatingTerminalCode	Exactly 8	
	dateAndTime	Exactly 12	
	messageNumber	Exactly 4	
	messageCode	Exactly 2	
	message	Max. 256	
	dbSelectionCount	Max. 10	
	replyCoordinateType	geodeticDatum	Max. 256
		geographical	Max. 3
	searchCenter	latitude	Max. 256
longitude		Max. 256	
Selection	nationalDestinationCode	Max. 14	
	commAddress	Max. 256	
	locality	Max. 256	
	subscriberName	Max. 256	
	forename	Max. 256	
	streetName	Max. 256	
	houseNumber	Max. 256	
	supplementaryData	Max. 256	
	subscriberMessage	Max. 256	
	headingInTheGuide	Max. 256	
	professionCode	Max. 256	
	countyStateOrProvince	Max. 256	
	subscriberDescription	Max. 256	
	category	Determined by included subfields	
	countryCode	Max. 3	
	postalCode	Max. 256	
	commAddressType	Determined by enumerated values	
	commAddressService	Determined by included subfields	
	commAddressChar	Determined by included subfields	
	distance	Max. 256	
	additionalName	Max. 256	
	selectionCoordinate	latitude	Max. 256
		longitude	Max. 256
selectionLevel	Max. 3		

Table 11 – Reply field lengths for version 2.01

	Field		Length	
Reply header	originatingTerminalCode		Exactly 8	
	dateAndTime		Exactly 12	
	messageNumber		Exactly 4	
	messageCode		Exactly 2	
	message		Max. 256	
	dbSelectionCount		Max. 10	
	replyCoordinateType	geodeticDatum	Max. 256	
		geographical	Max. 3	
searchCenter	latitude	Max. 256		
	longitude	Max. 256		
Selection	commAddresses	phone	countryCallingCode	Max. 3
			nationalDestinationCode	Max. 14
			number	Max. 256
			phoneService	Determined by included subfields
			phoneChar	Determined by included subfields
			restriction	Determined by included subfields
	email	address	Max. 256	
		emailChar	Determined by included subfields	
		restriction	Determined by included subfields	
	uri	address	Max. 256	
		restriction	Determined by included subfields	
	locality		Max. 256	
	subscriberName		Max. 256	
	forename		Max. 256	
	streetName		Max. 256	
	houseNumber		Max. 256	
	supplementaryData		Max. 256	
subscriberMessage		Max. 256		
headingInTheGuide		Max. 256		
professionCode		Max. 256		
countyStateOrProvince		Max. 256		
subscriberDescription		Max. 256		
category		Determined by included subfields		

Table 11 – Reply field lengths for version 2.01

Field		Length
postalCode		Max. 256
distance		Max. 256
additionalName		Max. 256
selectionCoordinate	latitude	Max. 256
	longitude	Max. 256
selectionLevel		Max. 3

11.3.3 Reply header

This part of the reply holds general information not directly related to the individual returned selections (if any).

11.3.3.1 Originating terminal code

The **originatingTerminalCode** mandatory field shall echo the corresponding field of the inquiry (see clause 11.2.3.1).

11.3.3.2 Date and time

The **dateAndTime** field shall, if the corresponding field is present in the inquiry (see clause 11.2.3.2), echo the date and time as generated by the inquiring system. Otherwise, this field shall be absent.

11.3.3.3 Message number

The **messageNumber** field shall, if the corresponding field is present in the inquiry (see clause 11.2.3.3), echo the message number as generated by the inquiring system. Otherwise, this field shall be absent.

11.3.3.4 Message code

The **messageCode** mandatory field signals the outcome of the inquiry. Message codes are defined in Annex I.

NOTE – If the consumer is a human being, it is assumed that the inquiring system will convert the message code to a text message.

11.3.3.5 Message

The **message** field should only be used for urgent messages, for example, to announce short interruptions that cannot be announced in time in ways normally agreed upon among service providers.

It shall be sent with every reply as long as it is relevant, but not for more than 5 minutes.

It is a free text field. The message shall be in the English language.

The following are examples of urgent messages:

- System will be down from date/time GMT until date/time GMT;
- System will be down from date/time GMT for about 10 minutes.

11.3.3.6 DB selection count

The **dbSelectionCount** optional field provides a figure that indicates the number of selections that have been found by the replying system. If this figure is prefixed with a greater-than sign (>), it indicates that the number of selections exceeds this figure.

11.3.3.7 Reply coordinate type

The **replyCoordinateType** optional field indicates the characteristics of **searchCenter** and **selectionCoordinate** of the reply (see clauses 11.3.3.8 and 11.3.4.24). When present, it shall have the following mandatory subfields:

- a) **geodeticDatum** – This subfield specifies the type of coordinate system by which the **latitude** and **longitude** subfields of **searchCenter** and **selectionCoordinate** are expressed. This subfield is an XML attribute of the empty **replyCoordinateType** element.
- b) **geographical** – This subfield gives the syntax of the coordinates that is used for the **searchCoordinate latitude** and **longitude** subfields of **searchCenter** and **selectionCoordinate**. This subfield is an XML attribute of the **replyCoordinateType** empty element. It shall take one of the values specified in clause 11.2.3.10 b).

11.3.3.8 Search centre

The **searchCenter** field shall be present if a proximity search has been performed. Otherwise, it shall be absent. It gives the coordinates for the centre of the proximity search.

11.3.4 Selections

11.3.4.1 Structure of selections

If no selection was found to be returned, then selections shall be absent.

If several communications addresses are to be returned for a given subscriber, then version 2.00 requires that a selection shall be returned for each communications address. Later versions allow several communications addresses to be returned in a single selection.

11.3.4.2 National destination code (2.00)

This clause only applies to version 2.00.

The **nationalDestinationCode** field shall be present when a national destination code exists, a subscriber is found, it is an **e164** type communications address, and the subscriber's number may be disclosed. It shall be formatted as defined by [ITU-T E.164].

This field shall be absent if the national destination code does not exist, if it is not an **e164** type communications address, or if the communications address is not to be disclosed.

11.3.4.3 Communications address (2.00)

This clause only applies to version 2.00.

The **commAddress** field is used for holding a communications address (telephone number, e-mail address, URL, etc.).

This field shall be present when a subscriber is found having a communications address. Otherwise, it shall be absent.

An E.164 number shall not include a possible national destination code.

If the communications address may be disclosed, it shall be formatted according to the type of communications address.

The type of communications address shall be signalled in the **commAddressType** field (see clause 11.3.4.19).

If the number is not to be disclosed, this field shall be filled with seven upper case 'X' characters.

11.3.4.4 Communications addresses (2.01)

This clause only applies to version 2.01.

The **commAddresses** field represented by an XML element corresponds to the combination of the **nationalDestinationCode**, **commAddress**, **countryCode**, **commAddressType**, **CommAddressService** and **commAddressChar** fields of 2.00.

The **commAddresses** field is used for holding communications addresses (telephone number, e-mail address, URL, etc.). In contrast to the 2.00 protocol, any number of communications addresses in any order may be included in a single selection. This allows a replying system to generate a list of communications addresses for transmission in a preferential order.

This field shall be present when a subscriber is found having one or more communications addresses. Otherwise, it shall be absent. It may hold any number of subfields represented by XML elements of different types corresponding to the types of communication addresses.

Each subfield has an optional **restriction** second level subfield represented by an XML attribute, in addition to those described for the individual second level subfield types. This second level subfield is an enumeration with the following values:

- **disclose**, which means that the communications address may be disclosed;
- **nonDisclose**, which means that the communications address shall not be disclosed. It is a local option whether the replying system will return the communication address, whether to place seven uppercase X'es in the subfield or to leave the subfield empty.

If the optional **restriction** second level subfield is absent, it defaults to **disclose**.

New values may be defined in the future. An inquiring system shall not consider it an error if an unsupported value is received in the **restriction** second level subfield, but shall act as for the **nonDisclose** value.

The following subfields are defined:

- A **phone** subfield represented by a child element of the **commAddresses** field may have the following second level subfields all represented by child elements of the **phone** XML element:
 - The **countryCallingCode** mandatory second level subfield field shall hold the E.164 country code for the selection.
NOTE – This subfield corresponds to the **countryCode** field of version 2.00. The **countryCallingCode** is used here to allow the **countryCode** term to be used for the ISO 3166-1 country code (see clause 11.2.3.4).
 - The **nationalDestinationCode** second level subfield shall be present when a national destination code exists and the subscriber's number may be disclosed. It shall be formatted as defined by [ITU-T E.164].
This subfield shall be absent if the national destination code does not exist or if the communications address is not to be disclosed.
 - The **number** second level mandatory field shall hold the telephone number formatted according to [ITU-T E.164]. It shall not include a possible national destination calling code.
 - Below is specified a number of some optional second level subfields indicating telephone number characteristics. Such a subfield, when present, shall be represented

by an XML attribute of the **phone** element, and shall always have the value **true**. The following characteristics are defined:

- a) **ftn**: When the telephone number is a tax-free telephone number.
 - b) **mob**: When the telephone number is for a mobile telephone.
 - c) **fixed**: When the telephone number is for a fixed-line telephone.
 - d) **prn**: When the telephone number is a premium rate telephone number.
 - e) **nprn**: When the telephone number is a personal country-wide telephone number.
 - f) **upn**: When the telephone number is a personal worldwide number.
 - g) **old**: When the telephone number has been valid, but is now obsolete.
 - h) **adv**: When the telephone number comes from an advertising listing.
 - i) **nmk**: When the telephone number shall not be used for marketing.
- the **phoneService** optional second level subfield, when present, shall have one or more third level subfields indicating the types of services (see below) associated with the **number**. A subfield, when present, shall be represented by an XML attribute of the **phoneService** empty element, and shall always have the value **true**. The following services are defined:
 - a) **fax**: When a fax service can be obtained at the telephone number.
 - b) **pbx**: When the telephone number is for a PBX.
 - c) **txt**: When the telephone number is for a text telephone.
 - d) **pub**: When the telephone number is for a public telephone.
 - e) **vid**: When the telephone number is for a video telephone.
 - f) **pag**: When the telephone number is for a pager.
 - g) **voice**: When voice communications can be conducted through the telephone number.
 - h) **data**: When data communications can be conducted through the telephone number.
 - i) **sms**: When the short message service (SMS) is supported through the telephone number.
 - j) **mms**: When the multimedia messaging service (MMS) is supported through the telephone number.
 - k) **emg**: When emergency messages are supported through the telephone number.
 - An **email** subfield represented by a child XML element shall hold the e-mail address formatted according to [IETF RFC 822]. It may have the following second level subfield represented by an XML attribute of the **email** XML element:
 - a) **nmk**: This subfield, when present, indicates that the e-mail address shall not be used for marketing.
 - A **uri** child element has no second level child elements, except for **restriction**, but shall hold the URI formatted according to [IETF RFC 1738].

As new communications addresses may be added in the future, an inquiry system should not consider it an error if an unknown subfield is received.

11.3.4.5 Locality

The **locality** optional field, when present, shall hold the location under which the subscriber has been found or a locality to be returned within a **localityList** or a **streetList**.

A postal code shall not be supplied in this field as for version 1, but may be supplied in the **postalCode** field (see clause 11.3.4.18).

When returning a **localityList**, the locality name may optionally be followed by a number sign, but it shall be followed by a number sign if it is needed in a follow-on inquiry to make the locality unambiguous.

A selection taken from the locality list and placed unchanged in the inquiry fields shall never result in a locality list as an answer.

11.3.4.6 Subscriber name

The **subscriberName** optional field, when present, shall hold either the surname or trade name of the subscriber.

If a list other than a **subscriberList** is returned, this field shall be absent.

11.3.4.7 Forename

The **forename** optional field, when present, shall hold the subscriber's forename.

If a list other than a **subscriberList** is returned, this field shall be absent.

11.3.4.8 Name of street or equivalent

The **streetName** optional field, when present, shall hold the name of the street or equivalent.

If a list other than a **subscriberList** or **streetList** is returned, this field shall be absent.

11.3.4.9 House number

The **houseNumber** optional field, when present, shall identify a house within a street. A possible numerical part of the house number shall precede the possible alphabetical part without separation. Non-significant zeroes shall be omitted.

If a list other than a **subscriberList** is returned, this field shall be absent.

11.3.4.10 Supplementary data

If the **supplementaryData** optional field is present when returning a **subscriberList**, it shall hold supplementary information about the subscriber.

If this field is present when returning a **localityList**, it shall hold supplementary information about the locality.

If this field is present when returning a **businessCategoryList**, it shall hold supplementary information about the business category such as a more general business-area description field to which the business category returned belongs (for information and display only).

11.3.4.11 Subscriber message

The **subscriberMessage** optional field, when present, shall hold a coded message, which should be converted into text by the inquiring system.

The following codes are defined:

- 0 = no comment;
- 1 = subscriber changed address;
- 2 = refer to distant operator;

3 = message in freeform text giving additional information about the subscriber and to be included in this field separated by one space from the code.

11.3.4.12 Heading in the guide

The semantics of the **headingInTheGuide** field is described in clause 10.2.4.6.

This field shall be used for holding the business category when relevant for a subscriber in a **subscriberList** and when returning a **businessCategoryList**.

If a list other than a **subscriberList** or **businessCategoryList** is returned, this field shall be absent.

11.3.4.13 Profession code

The **professionCode** field, when present, specifies for a residential subscriber the profession, job, or academic title.

If a list other than a **subscriberList** is returned, this field shall be absent.

11.3.4.14 County, state or province

The **countyStateOrProvince** optional field, when present, shall hold the county, state or province name.

If a **businessCategoryList** is returned, this field shall be absent.

11.3.4.15 Subscriber description

The **subscriberDescription** optional field, when present, shall be used for providing complete and relevant information about the subscriber. Such additional information might be available in the DA database, and it may not easily fit into other fields. The information is in free text (e.g., "Open 24/24 hours"). It may be information in addition to what is provided in fields, like **supplementaryData** and **subscriberMessage**.

This field shall be absent for other than a **subscriberList**.

11.3.4.16 Category

The **category** optional field may supply information about the subscriber category (see below). If a list other than a **subscriberList** is returned, this field shall be absent.

A subfield, when present, shall be represented by an XML attribute of the **category** empty element, and shall always have the value **true**.

When present, one or more of the following subfields shall be present:

- a) **business**: When present, it indicates that the selection is for a business subscriber;
- b) **residential**: When present, it indicates that the selection is for a residential subscriber;
- c) **government**: When present, it indicates that the selection is for a governmental subscriber.

11.3.4.17 Country code (2.00)

This clause only applies to version 2.00.

The **countryCode** optional field shall hold the E.164 country code for the selection. It is mandatory for selections containing E.164 address types.

11.3.4.18 Postal code

The **postalCode** optional field provides the postal code for the selection.

If a list other than a **subscriberList**, a **localityList** and a **streetList** is returned, this field shall be absent.

11.3.4.19 Communications address type (2.00)

This clause only applies to version 2.00.

The **commAddressType** field shall be present if the **commAddress** field (see clause 11.3.4.3) holds a communications address that may be disclosed. Otherwise, this field shall be absent.

When present, this field shall hold one of the following values:

- a) **e164**: When the returned communications address has a syntax as defined by [ITU-T E.164].
- b) **rfc822**: When the returned communications address has a syntax as defined by [IETF RFC 822] (e-mail address syntax).
- c) **rfc1738**: When the returned communications address has a syntax as defined by [IETF RFC 1738] (URL syntax).

11.3.4.20 Communications address services (2.00)

This clause only applies to version 2.00.

The **commAddressService** field may be present if the **commAddress** field (see clause 11.3.4.3) holds a communications address that may be disclosed. Otherwise, this field shall be absent.

This field has subfields indicating types of communications address services (see below) associated with the **commAddress**. A subfield, when present, shall be represented by an XML attribute of the **commAddressService** empty element, and shall always have the value **true**.

This field indicates what service(s) can be obtained through the supplied communications address. When the **commAddressService** field is present, one or more of the following subfields shall be present:

- a) **fax**: When a fax service can be obtained at the communications address.
- b) **pbx**: When the communications address is for a PBX.
- c) **txt**: When the communications address is for a text telephone.
- d) **pub**: When the communications address is for a public telephone.
- e) **vid**: When the communications address is for a video telephone.
- f) **pag**: When the communications address is for a pager.
- g) **voice**: When voice communications can be conducted through the communications address.
- h) **data**: When data communications can be conducted through the communications address.
- i) **http**: When HTTP-type communications can be conducted through the communications address (e.g., web services).
- j) **ftp**: When the file transfer protocol (FTP) is supported through the communications address.
- k) **eml**: When e-mail service is supported through the communications address.
- l) **sms**: When the short message service (SMS) is supported through the communications address.

- m) **mms**: When the multimedia messaging service (MMS) is supported through the communications address.
- n) **emg**: When emergency messages are supported through the communications address.

11.3.4.21 Communications address characteristics (2.00)

This clause only applies to version 2.00.

The **commAddressChar** field may be present if the **commAddress** field (see clause 11.3.4.3) holds a communications address that may be disclosed. Otherwise, this field shall be absent.

This field has subfields indicating communications address characteristics (see below). A subfield, when present, shall be represented by XML attributes of the **commAddressChar** empty element, and shall always have the value **true**.

This field indicates what characteristics are associated with the communications address. When present, it shall include one or more of the following subfields:

- a) **ftn**: When the communications address is a tax-free telephone number.
- b) **mob**: When the communications address is for a mobile telephone.
- c) **fixed**: When the communications address is for a fixed-line telephone.
- d) **prn**: When the communications address is a premium rate telephone number.
- e) **nprn**: When the communications address is a personal country-wide telephone number.
- f) **upn**: When the communications address is a personal worldwide number.
- g) **old**: When the communications address has been valid, but is now obsolete.
- h) **adv**: When the communications address comes from an advertising listing.
- i) **nmk**: When the communications address shall not be used for marketing.

11.3.4.22 Distance

The **distance** field shall be present if a proximity search has been performed. Otherwise, it shall be absent. It gives the distance from the centre of the proximity search to this selection's position.

The value shall be a numeric character. The mapping of the number to a real distance is service-provider dependent and shall be specified in the operator's manual.

11.3.4.23 Additional naming information

When an additional family name is to be returned (see clause 11.2.4.15), it shall be supplied in the **additionalName** field (without the equals sign).

This field may also be used for returning other naming information relevant for countries or cultures.

The specific use of this field shall be specified in the operator's manual.

The support for additional family name is mandatory.

11.3.4.24 Selection coordinate

The **selectionCoordinate** field gives the coordinates of the selection.

If the replying system has coordinates available within a selected listing, it should return them in the selection.

This field has the subfields **latitude** and **longitude** with the same meaning and encoding requirements as specified in clause 11.2.4.19.

11.3.4.25 Selection level

The **selectionLevel** field, if present, shall hold a number that indicates the level of the corresponding listing within a hierarchical group (see clause 9.5).

If this field is not present, it defaults to zero.

If a list other than a **subscriberList** is returned, this field shall be absent and its default shall be ignored.

SECTION 3

VERSION 2.10 OF THE ITU-T E.115 PROTOCOL

12 Version 2.10 of the directory assistance protocol specification

12.1 Overview

An ITU-T E.115 transaction consists of an inquiry and a reply. An inquiry is comprised of an inquiry header and inquiry data. A reply is comprised of a reply header and, if relevant, reply data.

There are three different types of transactions:

- DA transactions: A DA inquiry requests information from a DA database. It reflects the information as entered by a consumer and formatted by the inquiring system. The information is used by the replying system to search the database for listings that match the DA inquiry.
Details on DA transactions are given in clause 13.

- Directory transactions: A directory inquiry requests information about DA directories supported by a replying system. Details on directory transactions are given in clause 14.

- Functionality transactions: A functionality inquiry requests information about the functionality offered by DA directories supported by the replying system. Details on functionality transactions are given in clause 15.

An implementation claiming support for version 2.10 shall implement all three transaction types.

12.2 Convention for protocol diagrams

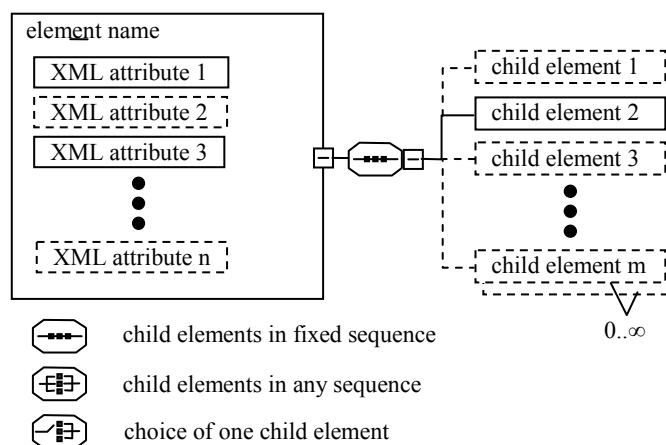


Figure 10 – Convention for protocol diagrams

Figure 10 shows the convention for illustrating the protocol by using figures. A protocol element represented by an XML element is illustrated by a box. With a few exceptions, a figure illustrates only two levels of the protocol. The top level is illustrated to the left. Its contained protocol elements are represented by XML attributes and/or XML child elements.

The XML attributes of a protocol element are represented by boxes inside the element box. Child elements are represented by boxes to the right. Child elements may be in a fixed sequence, be in any sequence or be a choice of one child element among the listed child elements. This is indicated by an icon between two levels of elements.

Providing a protocol element is present, a mandatory contained protocol element is represented by a solid box, while a stippled box indicates an optional contained protocol element.

There may be multiple occurrences of the same type of protocol (XML) element. This is indicated as shown for a child protocol element *m* in Figure 10. The minimum and maximum numbers of occurrences are represented by two figures separated by two dots. If there is no inherent upper limit, the maximum limit is indicated as infinity (∞).

12.3 Structure of ITU-T E.115 message

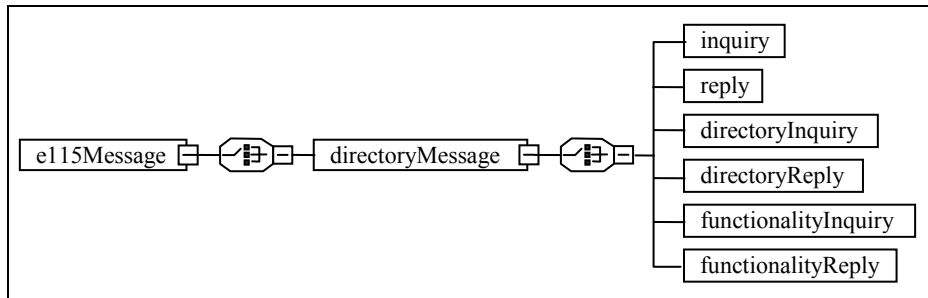


Figure 11 – Structure of ITU-T E.115 message

The outer element of a message as defined by this Recommendation is **e115Message**. The **e115Message** is a choice, where **directoryMessage** is the only choice. New choices may be added in the future.

The **directoryMessage** is a choice of six different protocol elements as shown in Figure 11:

- a) **inquiry** and **reply** comprising a DA transaction.
- b) **directoryInquiry** and **directoryReply** comprising a directory transaction.
- c) **functionalityInquiry** and **functionalityReply** comprising a functionality transaction.

13 DA transaction

13.1 Structure of DA inquiry/reply

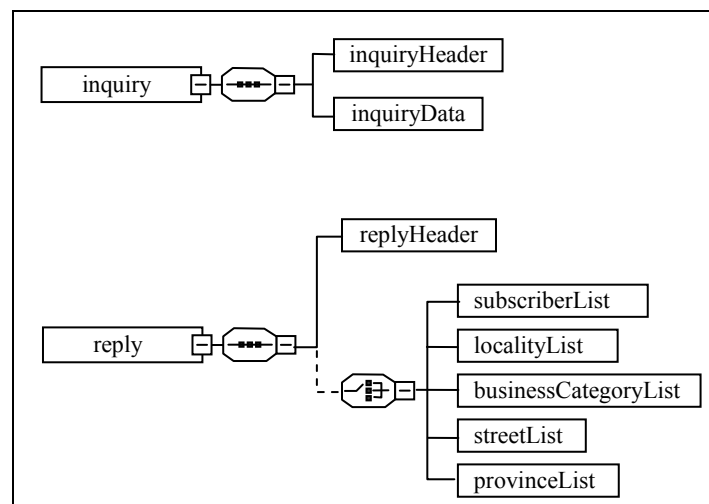


Figure 12 – Structure of inquiry and reply

A DA transaction consists of an inquiry and a reply as illustrated in Figure 12. An inquiry is comprised of an **inquiryHeader** protocol element and an **inquiryData** protocol element. Both elements are required. A reply is comprised of a mandatory **replyHeader** protocol element and, if data is returned, of one of the following reply types:

- **subscriberList**;
- **localityList**;
- **businessCategoryList**;
- **streetList**; or
- **provinceList**.

13.2 DA inquiry header

13.2.1 Structure of DA inquiry header

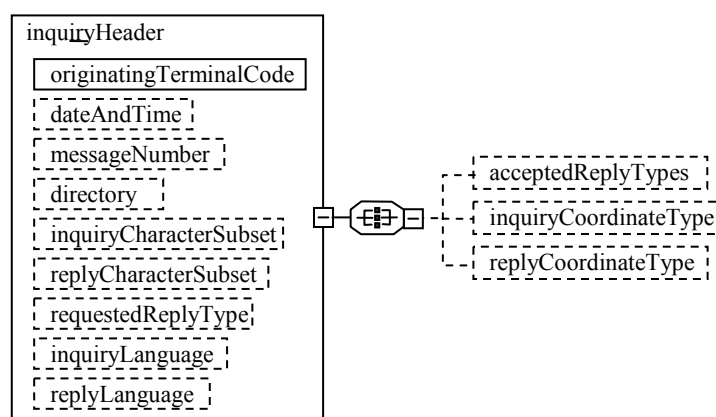


Figure 13 – Structure of DA inquiry header

Figure 13 shows the structure of a DA **inquiryHeader** protocol element. It contains one or more imbedded protocol element represented by XML attribute and zero or more imbedded protocol elements represented by XML child elements. These latter elements are further substructured.

Details on these imbedded protocol elements are given in the following.

13.2.2 Originating terminal code

The **originatingTerminalCode** mandatory field holds a value generated by the inquiring system. The replying system shall echo this value in the reply (see clause 13.5.2).

This field may be used by an inquiring system to pair a reply with the corresponding inquiry and thereby route the reply back to the source of the inquiry, e.g., a particular workstation.

If the length of the field is not exactly 8 characters, message code 22 shall be returned by the replying system. Otherwise, the replying system shall not check the content of this field.

13.2.3 Date and time

The **dateAndTime** optional field, when present, shall be encoded according to [ISO 8601] with the following restrictions. The year-month-day hour:minutes:seconds shall be encoded as yyyy-mm-ddThh:mm:ss, where yyyy is the year, the first mm is the month, the dd is the date, T is a separator, hh is the hour in a 24-hour clock system, the last mm is minutes, and ss is seconds. An example of such an encoding is:

2009-05-18T17:36:25

The replying system shall echo this value in the reply (see clause 13.5.3).

13.2.4 Message number

The **messageNumber** optional field, when present, shall hold a message number generated by the inquiring system.

If this field is present, the content shall not be checked by the replying system, but shall be echoed unchanged back to the inquiring system (see clause 13.5.4).

If the length of the field is not exactly 4 characters, message code 22 shall be returned by the replying system.

13.2.5 Directory

The **directory** optional field, when present, shall hold a DA directory name (see clause 14.4.2). This field allows an inquiry system to address a particular DA directory.

13.2.6 Inquiry character subset

The **inquiryCharacterSubset** field, when present, indicates what ISO/IEC 10646 character repertoire is used for the DA inquiry. It may take one of the following values:

- a) **basic**, which means that only the ITU-T E.115 **basic** subset, as defined in clause 9.1.3.2, is used;
- b) **latin1**, which means that the ITU-T E.115 **latin1** subset, as defined in clause 9.1.3.3, is used;
- c) **latin-ext**, which means that the ITU-T E.115 **latin-ext** subset, as defined in clause 9.1.3.4, is used;
- d) **cyrillic**, which means that the ITU-T E.115 **cyrillic** subset, as defined in clause 9.1.3.5, is used;
- e) **greek**, which means that the ITU-T E.115 **greek** subset, as defined in clause 9.1.3.6, is used; or
- f) **arabic**, which means that the ITU-T E.115 **arabic** subset, as defined in clause 9.1.3.7, is used.

If this field is absent, it defaults to **basic**.

The ITU-T E.115 **basic** character subset shall be supported.

If the specified ITU-T E.115 character subset is not supported by the replying system or if the specified subset is unknown to the replying system, the Message Code 4D shall be returned.

NOTE – New ITU-T E.115 character subsets may be defined in future versions and releases. By treating an unknown subset as an unsupported subset, a back-level implementation may interwork with more advanced implementations.

13.2.7 Reply character subset

The **replyCharacterSubset** optional field, when present, shall indicate what ISO/IEC 10646 character repertoire the inquiring system wants the replying system to use for the DA reply. It may take one of the following values:

- a) **basic**, which means that only the ITU-T E.115 **basic** character subset, as defined in clause 9.1.3.2, shall be used;
- b) **latin1**, which means that the ITU-T E.115 **latin1** character subset, as defined in clause 9.1.3.3, is requested to be used;
- c) **latin-ext**, which means that the ITU-T E.115 **latin-ext** character subset, as defined in clause 9.1.3.4, is requested to be used;

- d) **cyrillic**, which means that the ITU-T E.115 **cyrillic** character subset, as defined in clause 9.1.3.5, is requested to be used;
- e) **greek**, which means that the ITU-T E.115 **greek** character subset, as defined in clause 9.1.3.6, is requested to be used; or
- f) **arabic**, which means that the ITU-T E.115 **arabic** character subset, as defined in clause 9.1.3.7, is requested to be used.

If this field is absent, it defaults to **latin1**.

If the specified ITU-T E.115 character subset is not supported by the replying system or if the specified subset is unknown to the replying system, the Message Code 4E shall be returned.

13.2.8 Requested reply type

The **requestedReplyType** optional field, when present, shall indicate what list type (reply type) the inquiry system is expecting. When present, one and only one of the following reply types shall be specified:

- a) **subscriberList**;
- b) **localityList**;
- c) **businessCategoryList**;
- d) **streetList**; or
- e) **provinceList**.

If this field is absent, it defaults to **subscriberList**.

13.2.9 Accepted reply types

The **acceptedReplyTypes** optional field, when present, shall hold subfields indicating accepted reply types (see below). A subfield, when present, shall be represented by an XML Boolean attribute of the **acceptedReplyTypes** empty element. If the XML attribute has the value **true**, the corresponding reply type is acceptable. Otherwise, the reply type is not acceptable.

If an inquiring system indicates the acceptance of a list type in the **acceptedReplyTypes**, it is to be interpreted that the inquiring system accepts receiving this list type if the values in the search filter result in ambiguity with respect to the type of entity to be returned in such a list. If several of the indicated list types are relevant, it is a local decision as to which type of list to return.

If this field is present, one or more of the following subfields shall be supplied:

- a) **localityList**: When present and has the value **true**, a locality list is acceptable if the search filter results in multiple locations;
- b) **businessCategoryList**: When present and has the value **true**, a business category list is acceptable if the search filter results in multiple business categories;
- c) **streetList**: When present and has the value **true**, a street list is acceptable if the search filter results in multiple streets; and
- d) **provinceList**: When present and has the value **true**, a province list is acceptable if the search filter results in multiple counties, states or provinces.

If the requested reply type cannot be returned and this field is absent or the replying system does not support the relevant reply type, the replying system shall issue the appropriate message code.

A replying system shall not return a list type not specified in either **requestedReplyType** or **acceptedReplyTypes**.

If the **businessCategoryList** is specified in the **requestedReplyType** field or in the **acceptedReplyTypes** field, but a **localityList** or **provinceList** is to be returned due to ambiguity, then such a list, if it is part of the **acceptedReplyTypes**, takes precedence over the **businessCategoryList**.

If none of the reply types specified in the **requestedReplyType** and in **acceptedReplyTypes** is supported, known by the replying system or relevant for the reply, a message code 45 shall be returned by the replying system.

13.2.10 Inquiry coordinate type

The **inquiryCoordinateType** optional field, when present, shall indicate the characteristics of **searchCoordinate** (see clause 13.3.19). When present, it shall have the following mandatory subfields:

- a) **geodeticDatum** – This subfield specifies the type of coordinate system by which the **searchCoordinate latitude** and **longitude** subfields are expressed. This subfield is an XML attribute of the empty **inquiryCoordinateType** element.
- b) **geographical** – This subfield gives the syntax of the coordinates given for the **searchCoordinate latitude** and **longitude** subfields. This subfield is an XML attribute of the empty **inquiryCoordinateType** element. It shall take one of the following values:
 - **dms**, which means that the coordinates are given in the degrees-minutes-seconds format. The format shall be **ddd:mm:ss** optionally followed by a point and a figure indicating tens of seconds. West longitudes and south latitudes are expressed as negative values;
 - **dd**, which means that the coordinates are given in degrees and a decimal fraction of a degree; or
NOTE 1 – **dd** 36.5 would be the same value as **dms** 36:30:00.
 - **dec**, which means that the coordinates are given as a decimal figure.
NOTE 2 – Notation in **dec** allows any decimal figure, not necessarily related to degrees (e.g., 2920631).

13.2.11 Reply coordinate type

The **replyCoordinateType** optional field, when present, shall indicate the requested characteristics of **searchCenter** and **replyCoordinate** of the reply (see clauses 13.5.11, 13.6.19, 13.7.9 and 13.9.8). When present, it shall have the following mandatory subfields:

- a) **geodeticDatum** – This subfield specifies the type of coordinate system by which the **latitude** and **longitude** subfields of **searchCenter** and **replyCoordinate** should be expressed. This subfield is an XML attribute of the empty **replyCoordinateType** element.
- b) **geographical** – This subfield gives the syntax of the coordinates that should be used for the **searchCoordinate latitude** and **longitude** subfields of **searchCenter** and **replyCoordinate** in the reply. This subfield is an XML attribute of the **replyCoordinateType** empty element. It shall take one of the values specified in clause 13.2.10 b).

13.2.12 Inquiry language

The **inquiryLanguage** optional field, when present, shall indicate the language used in the inquiry. It shall be a three-character language code, as defined by [ISO 639-3].

If the language code is not exactly three characters or it is not one of those supported by the replying system, a message code 4I shall be returned by the replying system.

NOTE – If a non-supported language code is received by the replying system, it is not required to check whether it is a valid language code.

13.2.13 Reply language

The **replyLanguage** optional field, when present, shall indicate which language the replying system is requested to use in the reply. It shall be a three-character language code, as defined by [ISO 639-3].

If the language code is not exactly three characters or it is not one of those supported by the replying system, a message code 4J shall be returned by the replying system.

NOTE – If a non-supported language code is received by the replying system, it is not required to check whether it is a valid language code.

13.3 DA inquiry data

13.3.1 Structure of DA inquiry data

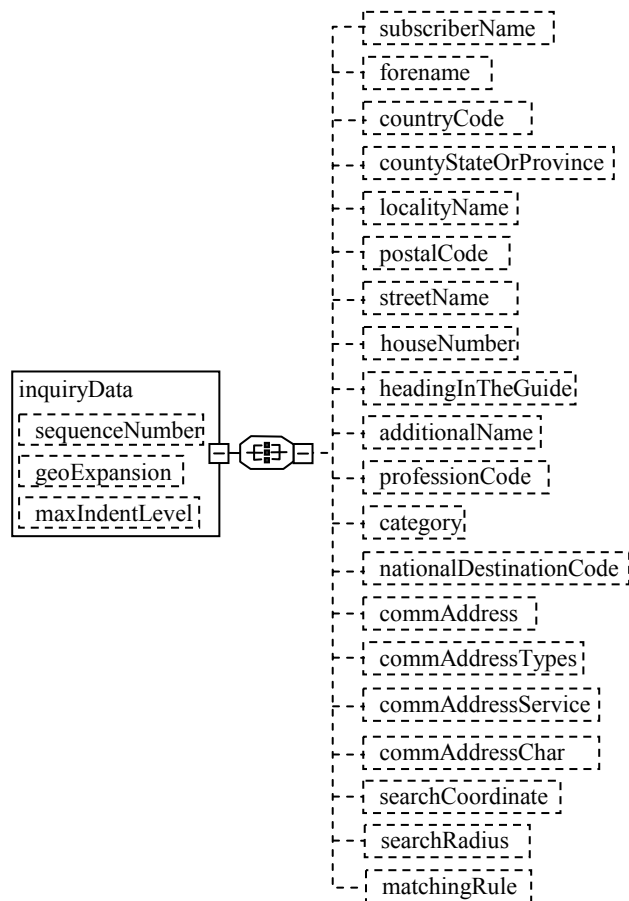


Figure 14 – Structure of inquiry data

Figure 14 shows the structure of the **inquiryData** protocol element. It contains imbedded protocol elements carrying filter items and similar information as search criteria. Such imbedded protocol elements are represented by XML attributes and child elements. The latter may be further substructured.

Details on the imbedded protocol element are given in the following.

13.3.2 Subscriber name

The **subscriberName** optional field, when present, shall hold either the surname or trade name of the subscriber. The subscriber's surname should be input according to its exact spelling. The mandatory minimum number of characters to be input should be fixed by each service provider and provided in a **functionalityReply**.

The replying system should check whether this minimum is respected. When a word is terminated by a full stop, this implies that the word is complete, when a word is not terminated by a full stop, this implies that the word might be either complete or not complete. When a specification consists of more than one word, the full stop is additional to the separating space.

When the subscriber's surname or trade name is replaced by initials, the characters composing the acronym shall be introduced successively without being separated by special signs or spaces.

NOTE 1 – Special signs are characters of the repertoire defined in clause 9.1.1, with the exception of the 26 lower case and 26 capital letters (a-z and A-Z) and the figures 0-9.

NOTE 2 – As examples, C&A or C & A shall be transmitted as CA and F.N.C.B. shall be transmitted as FNCB.

It is recommended to add the full stop when the acronym or abbreviation is fully specified (example: NATO.).

Numbers forming part of names or acronyms shall be introduced as numeric characters.

13.3.3 Subscriber's forename

The **forename** optional field, when present, shall hold all of the forenames. Initials or a combination of forenames and initials shall always be separated by spaces.

13.3.4 Country code

The **countryCode** optional field, when present, shall hold the country code. It shall consist of two characters as defined by [ISO 3166-1] alpha 2.

NOTE 1 – [ISO 3166-1] uses the term "country code", but [ITU-T E.164] uses the same term for a data type having a different syntax. The ITU-T E.164 term has here been changed to "country calling code".

If the country code is not exactly two characters or it is not one of those supported by the replying system, a message code 4K shall be returned.

NOTE 2 – If a non-supported country code is received by the replying system, it is not required to check whether it is a valid country code.

13.3.5 County, state or province

The **countyStateOrProvince** optional field, when present, shall hold the county, state or province code or the name of the county, state or province according to its exact spelling.

In the case of a county, state or province code, this should be one word followed by a dot "." (example: "NY." = New York).

To indicate that the number of words in the inquiry is complete, the character "#" may be used, and it shall then be inserted at the end of the field. Absence of the character "#" does not imply that not all words are present. If both the full stop, to indicate that the last word is complete, and the number sign are present, the full stop shall precede the number sign.

If this field is copied from a **provinceList** resulting from a previous inquiry, it shall be copied exactly as received, e.g., a possible "#" ending character shall be included.

13.3.6 Locality name

The **localityName** optional field, when present, shall hold the locality code or the name of the locality according to its exact spelling. In the case of a locality code, this should be one word followed by a dot "." (example:"DUB." = Dublin). The words "Sint", "Saint", "Sankt", "San", etc., should be abbreviated by the letter "S" followed by a dot ".".

The locality name and county, state or province name (if supported) may be truncated. If this combination, when a **subscriberList** is requested, matches more than one locality, a **localityList** should be returned if **localityList** is specified in the **acceptedReplyTypes**. Otherwise, a **subscriberList** may be returned. If the locality information identifies a single locality, the subscriber search shall be performed.

The mandatory minimum number of characters to be input should be fixed by each service provider as provided in a **functionalityReply**. The replying system should check whether this minimum is respected. If this is not the case, a message code 51 may be returned.

When a word is terminated by a full stop, this implies that the word is complete, when a word is not terminated by a full stop, this implies that the word might be either complete or not complete. When a specification consists of more than one word, the full stop is additional to the separating space. (DEN HAAG would be specified as "DEN.□HAAG" and not "DEN.HAAG", the □ is supposed to represent a blank).

The matching to be performed is the following:

- words in the name may be truncated (may even be absent);
- completeness of a word may be indicated by a full stop that follows the word;
- absence of the above-mentioned full stop does not imply that the word is not complete.

To indicate that the number of words in the inquiry is complete, the character "#" may be used, and it shall then be inserted at the end of the field. Absence of the character "#" does not imply that not all words are present. If both the full stop, to indicate that the last word is complete, and the number sign are present, the full stop shall precede the number sign. If this field is copied from a **localityList** resulting from a previous inquiry, it shall be copied exactly as received, e.g., a possible "#" ending character shall be included.

If the **countyStateOrProvince** field is present and the **locality** field does not specify a location within that area, then message code 64 shall be returned, with the exception, as listed below, for the protocol version specific considerations.

If the locality given is not part of the county, state or province given, but is part of another county, state or province, and the **acceptedReplyTypes** specifies **localityList**, then the replying system may optionally return a **localityList** with this other county, state or province name together with the locality name.

13.3.7 Postal code

The **postalCode** optional field, when present, shall hold the postal for the relevant postal area.

13.3.8 Name of street or equivalent

The **streetName** optional field, when present, shall hold the name of the street according to its exact spelling. The words "Sint", "Saint", "Sankt", "San", etc., should be abbreviated by the letter "S" followed by a dot ".".

The mandatory minimum number of characters to be input should be fixed by each service provider as provided in a **functionalityReply**. The inquiring system should check whether this minimum is respected. When a word is terminated by a full stop, this implies that the word is complete, when a word is not terminated by a full stop, this implies that the word might be either

complete or not complete. When a specification consists of more than one word, the full stop is additional to the separating space. Numbers forming part of the name of the street shall be introduced as numeric characters.

To indicate that the number of words in the inquiry is complete, the character "#" may be used, and it shall then be inserted at the end of the field. Absence of the character "#" does not imply that not all words are present. If both the full stop, to indicate that the last word is complete, and the number sign are present, the full stop shall precede the number sign.

If this field is copied from a **streetList** resulting from a previous inquiry, it shall be copied exactly as received, e.g., a possible "#" ending character shall be included.

13.3.9 House number

The **houseNumber** optional field, when present, identifies a house within a street. A possible numerical part of the house number shall precede the possible alphabetical part without separation. Non-significant zeroes shall be omitted.

13.3.10 Heading in the guide

The **headingInTheGuide** optional field, when present, shall be used for holding the business category when relevant. When this field is present, it acts as a filter item.

The business category describes for a business, institutional or governmental subscriber, the activity domain in which the business, institution or administrative authority is involved.

To indicate that the number of words in the inquiry is complete, the character "#" may be used, and it shall then be inserted at the end of the field. Absence of the character "#" does not imply that not all words are present. If both the full stop, to indicate that the last word is complete, and the number sign are present, the full stop shall precede the number sign.

If this field is copied from a **businessCategoryList** resulting from a previous inquiry, it shall be copied exactly as received, e.g., a possible "#" ending character shall be included.

NACE codes may be used to refer to business categories to surmount language problems (see Appendix I).

It may be a general category, e.g., telecommunications, administrations, or a more specific activity, e.g., telecommunication mobile telephony, railways.

For an example, see clause 10.2.4.6.

13.3.11 Additional naming information

Some countries require the introduction of an additional family name (e.g., second family name, grandfather name, etc.).

When an additional family name is to be included as a filter item, it shall be supplied in the **additionalName** field (without the equals sign as required for version 1).

This field may also be used for other naming information relevant to countries or cultures.

The specific use of this field shall be specified in the operator's manual.

13.3.12 Profession code

The **professionCode** optional field shall not be present if the **requestedReplyType** is present and does not specify **subscriberList**.

This field, when present, shall specify for a residential subscriber the profession, job, or academic title.

13.3.13 Category

The **category** optional field, when present, shall supply information about the subscriber category. When present, it will act as a filter item to narrow the selections to be only of the requested category.

This field has subfields indicating the types of subscriber categories (see below). A subfield, shall, when present, be represented by an XML Boolean attribute of the **category** empty element.

When present, one or more of the following subfields shall be supplied:

- a) **business**: When present and has the value **true**, listings of this category shall be considered for return;
- b) **residential**: When present and has the value **true**, listings of this category shall be considered for return;
- c) **government**: When present and has the value **true**, listings of this category shall be considered for return.

When present, this field shall be treated as a filter item. If several subfields with value **true** are present, they shall individually be matched against listings and the results shall be logical OR'ed.

Not all replying systems may support all the categories. If only one subfield is included, and this category is not supported, the replying system shall return message code 40 (required service not supported). If several subfields are supplied and the replying system supports some, but not all the specified categories, then it is a local option by the replying system whether to ignore the unsupported categories and apply only the supported ones, or whether to return message code 40.

13.3.14 National destination code

The **nationalDestinationCode** optional field, when present, shall hold the telephone national destination code as defined by [ITU-T E.164].

This field may act as a filter item to narrow the search.

13.3.15 Communications address

The **commAddress** field shall be present if the inquiring system wants to perform a reverse search based on a particular communications address. If it is an E.164 number, it shall be the complete national number, including a possible national destination code, but excluding the country code.

NOTE – A reverse search is a search where the communications address is known and the corresponding subscriber identity is searched.

The type of communications address shall be signalled in the **commAddressTypes** field (see clause 13.3.16).

If the search is performed, but no subscriber is found, message code 92 shall be returned.

In case the replying system does not support reverse searches, either in general or for the specific communications address type, the replying system shall return a message code 43 or 44, depending on whether the replying system does not support the type of search for this particular inquiring system or does not support the type of search at all.

13.3.16 Communications address types

The **commAddressTypes** field, when present, shall have subfields indicating the types of communications addresses (see below). A subfield, when present, shall be represented by an XML Boolean attribute of the **commAddressTypes** empty element.

When a communications address is supplied in the **commAddress** field, this field shall be present and it shall have one and only one subfield having the value true in the **commAddress** field.

- a) **phone**: This subfield shall be present and have the value **true** if an E.164 type communications address is supplied.
- b) **email**: This subfield shall be present and have the value **true** if an IETF RFC 822 type communications address (e-mail address) is supplied.
- c) **uri**: This subfield shall be present and have the value **true** if an IETF RFC 1738 type communications address (URI) is supplied.

When a communications address is not supplied in the **commAddress** field, this field is optional. When present, it shall hold one or more of the following subfields:

- a) **phone**: When this subfield is present and has the value **true**, listings holding an E.164 type communications address shall be considered for return. Otherwise, such listings shall not be considered.
- b) **email**: When this subfield is present and has the value **true**, listings holding an IETF RFC 822 type communications address (e-mail address) shall be considered for return. Otherwise, such listings shall not be considered.
- c) **uri**: When this subfield is present and has the value **true**, listings holding an IETF RFC 1738 type communications address (URI) shall be considered for return. Otherwise, such listings shall not be considered.

If all indicated communications address types are unknown or unsupported by the replying system, message code 4F shall be returned. If at least one of the indicated communications address types is supported, then the replying system shall either ignore the unknown types or return Message code 4F.

When present, this field shall be treated as a filter item. If several subfields with value **true** are present, they shall individually be matched against listings and the results shall be logical OR'ed.

13.3.17 Communications address service

The **commAddressService** optional field specifies requirements on the type of service to be accessed through the communications addresses for a returned subscriber list. This field has subfields indicating types of communications address service (see below). A subfield, when present, shall be represented by an XML Boolean attribute of the **commAddressService** empty element. A returned communications address shall support at least one of the services where the corresponding XML attribute has the value **true**.

When present, one or more of the following subfields shall be supplied:

- a) **fax**: When present and has the value **true**, listings holding a communications address that supports fax shall be considered for return;
- b) **pbx**: When present and has the value **true**, listings holding a communications address of a PBX shall be considered for return. This subfield shall not be included unless the communications address type is a telephone number according to [ITU-T E.164];
- c) **txt**: When present and has the value **true**, listings holding a communications address for a text telephone shall be considered for return. This subfield shall not be included unless the communications address type is a telephone number according to [ITU-T E.164];
- d) **pub**: When present and has the value **true**, listings holding a communications address for a public telephone shall be considered for return. This subfield shall not be included unless the communications address type is a telephone number according to [ITU-T E.164];
- e) **vid**: When present and has the value **true**, listings holding a communications address for a video telephone shall be considered for return;

- f) **pag**: When present and has the value **true**, listings holding a communications address of a pager shall be considered for return. This subfield shall not be included unless the communications address type is a telephone number according to [ITU-T E.164];
- g) **voice**: When present and has the value **true**, listings holding a communications address that supports voice communication shall be considered for return;
- h) **data**: When present and has the value **true**, listings holding a communications address that supports data transmission shall be considered for return;
- i) **http**: When present and has the value **true**, listings holding a communications address that supports HTTP communication shall be considered for return;
- j) **ftp**: When present and has the value **true**, listings holding a communications address that supports FTP communication shall be considered for return;
- k) **eml**: When present and has the value **true**, listings holding a communications address that supports e-mail communication shall be considered for return;
- l) **sms**: When present and has the value **true**, listings holding a communications address that supports SMS communication shall be considered for return;
- m) **mms**: When present and has the value **true**, listings holding a communications address that supports MMS communication shall be considered for return;
- n) **emg**: When present and has the value **true**, listings holding a communications address for emergency messages shall be considered for return.

If all requested communications address services are unknown or unsupported, Message code 4G shall be returned. If at least one of the supplied communications address services is supported, then the replying system shall either ignore the unknown services or return Message code 4G.

When present, this field shall be treated as a filter item. If several subfields are included, they shall individually be matched against a particular listing and the results shall be logical OR'ed.

13.3.18 Communications address characteristics

The **commAddressChar** optional field specifies requirements based on the type of characteristics associated with the communications addresses for a returned subscriber list. This field has subfields indicating the types of communications address characteristics (see below). A subfield, when present, shall be represented by an XML Boolean attribute of the **commAddressChar** empty element. A returned communications address shall be of a type where the corresponding XML attribute is present and has the value **true**.

When present, one or more of the following subfields shall be supplied:

- a) **ftn**: When present and has the value **true**, listings holding a communications address that is a tax free E.164 (telephone) number shall be considered for return.
- b) **mob**: When present and has the value **true**, listings holding a communications address for a mobile device shall be considered for return.
- c) **fixed**: When present and has the value **true**, listings holding a communications address for a fixed device shall be considered for return.

If all supplied communications address characteristics are unknown or unsupported, Message code 4H shall be returned. If at least one of the supplied communications address characteristics is supported, then the replying system shall either ignore the unknown characteristics or return Message code 4H.

When present, this field shall be treated as a filter item. If several subfields are included, they shall individually be matched against listings and the results shall be logical OR'ed.

13.3.19 Search coordinate

The **searchCoordinate** optional field is used when performing a search in relation to a specific location and then specifies the coordinates of that location. It may specify the coordinates of the centre for a proximity search.

This field, when present, shall have the following mandatory subfields:

- a) **latitude** – This subfield gives the latitude of the location using the syntax specified by the **geographical** subfield. This subfield is an XML attribute of the empty **searchCoordinate** element.
- b) **longitude** – This subfield gives the longitude of the location using the syntax specified by the **geographical** subfield. This subfield is an XML attribute of the empty **searchCoordinate** element.

13.3.20 Search radius

This **searchRadius** optional field shall not be present unless the **searchCoordinate** field is present. When present, it indicates the radius of a proximity search. It shall be expressed using numeric characters. The mapping of the number to a real distance is service-provider dependent and shall be specified in the operator's manual.

13.3.21 Matching rules

The **matchingRule** optional field is used by the inquiring system to ask for particular matching behaviour instead of the default matching performed by the replying system.

This field, when present, shall have one or more of the following Boolean subfields:

- a) **wordRotation**: If it has the value **true**, it indicates that the words in some filter items of the inquiry may not be supplied in the right order and the replying system should use word rotation matching for the relevant filter items. It is a local choice as to which filter items are relevant for word rotation. If it has the value **false**, word rotation shall not be performed on any filter item. If this subfield is absent, it is a local decision by the replying system whether to perform word rotation matching.
- b) **phonetic**: If it has the value **true**, it indicates that some filter items of the inquiry may not have the exact spelling, but might be spelled according to their pronunciation and that the replying system should perform phonetic matching for the relevant filter items. It is a local choice as to which filter items are relevant for phonetic matching. If it has the value **false**, phonetic matching shall not be performed on any filter item. If this subfield is absent, it is a local decision by the replying system whether to perform phonetic matching.
- c) **alias**: Some filter items of an inquiry may have a value that does not match any value within the database of a replying system, but a synonym of that value might match. This may, in particular, be the case for **businessCategories**, where there may be different synonyms for particular business categories. As an example, *coiffeur* and *hairdresser* are synonyms for the same business category. If this subfield has the value **true**, it indicates that the replying systems should apply alias matching, that it should try to use synonyms for the relevant fields. It is a local choice as to which filter items are relevant for alias matching. If it has the value **false**, alias matching shall not be performed on any filter item. If this subfield is absent, it is a local decision by the replying system whether to perform alias matching.

These subfields are represented by XML attributes of the **matchingRule** empty element.

13.3.22 Sequence number

The **sequenceNumber** optional field, when present, shall indicate which page of the reply shall be sent (see clause 9.4). The number 0 (zero) (or if the field is omitted) indicates the first page, the number 1 the second page, etc. This number shall not be greater than 9. The sequence number shall be sent as a single numeric character.

NOTE – The **sequenceNumber** field is in the formal specification defined as having a length of one or two numeric characters to cope with possible future extensions.

13.3.23 Geographical expansion

The **geoExpansion** optional field, when present, shall hold a numeric character indicating the level of geographical extension. A higher number implies a higher degree of expansion. The actual mapping is determined locally by the replying system.

NOTE – Information about the expansion policy should be described in the operator's manual.

13.3.24 Maximum indent level

The **maxIndentLevel** field allows the inquiring system to specify the maximum level of grouped listings to be searched and from which information is to be returned.

The value is specified as a numeric character, where level "0" is the top level.

The default value is "99".

13.4 DA reply

The structure of a DA reply is shown in Figure 12 in clause 13.1.

13.5 DA reply header

13.5.1 Structure of the DA reply header

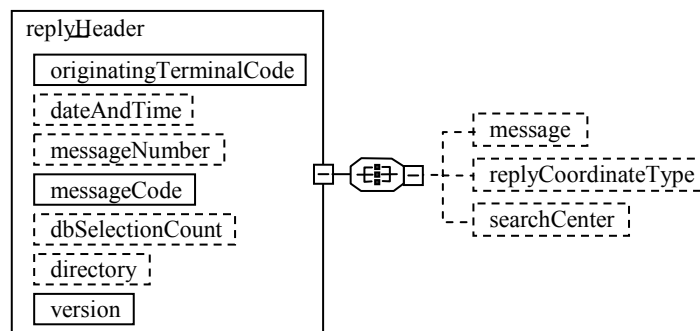


Figure 15 – Structure of DA reply header

The structure of a DA reply header is shown in Figure 15. This structure reflects the information returned by a replying system. If relevant, this information is assumed to be converted by the inquiring system into a format suitable for the presentation for the consumer.

13.5.2 Originating terminal code

The **originatingTerminalCode** mandatory field shall echo the corresponding field of the DA inquiry (see clause 13.2.2).

13.5.3 Date and time

The **dateAndTime** field shall, if the corresponding field is present in the inquiry (see clause 13.2.3), echo the date and time as generated by the inquiring system. Otherwise, this field shall be absent.

13.5.4 Message number

The **messageNumber** field shall, if the corresponding field is present in the inquiry (see clause 13.2.4), echo the message number as generated by the inquiring system. Otherwise, this field shall be absent.

13.5.5 Message code

The **messageCode** mandatory field shall signal the outcome of the inquiry. Message codes are defined in Annex I.

NOTE – If the consumer is a human being, it is assumed that the inquiring system will convert the message code to a text message.

13.5.6 Total available listings

The **totalAvailableListings** optional field, when present, shall provide a figure that indicates the number of listings that have been found by the replying system. If this figure is prefixed with a greater-than sign (>), it indicates that the number of listings exceeds this figure.

13.5.7 Directory

The **directory** optional field, if present, shall hold the name of the DA directory returning the information.

13.5.8 Version

The **version** is a four-character, mandatory field, where the two leftmost characters indicate the version and the two remaining characters hold the release indication.

13.5.9 Message

The **message** optional field should only be used for urgent messages, for example, to announce short interruptions that cannot be announced in time in ways normally agreed upon among service providers.

It shall be sent with every reply as long as it is relevant, but not for more than 5 minutes.

It is a free text field. The message shall be in the English language.

The following are examples of urgent messages:

- System will be down from date/time GMT until date/time GMT;
- System will be down from date/time GMT for about 10 minutes.

13.5.10 Reply coordinate type

The **replyCoordinateType** optional field indicates the characteristics of **searchCenter** and **replyCoordinate** of the reply (see clauses 13.5.11, 13.6.19, 13.7.9 and 13.9.8). When present, it shall have the following mandatory subfields:

- a) **geodeticDatum** – This subfield specifies the type of coordinate system by which the **latitude** and **longitude** subfields of **searchCenter** and **replyCoordinate** are expressed. This subfield is an XML attribute of the empty **replyCoordinateType** element.

- b) **geographical** – This subfield gives the syntax of the coordinates that is used for the **searchCoordinate latitude** and **longitude** subfields of **searchCenter** and **replyCoordinate**. This subfield is an XML attribute of the **replyCoordinateType** empty element. It shall take one of the values specified in clause 13.2.10 b).

13.5.11 Search centre

The **searchCenter** field shall be present if a proximity search has been performed. Otherwise, it shall be absent. It gives the coordinates for the centre of the proximity search.

13.6 Subscriber reply data

13.6.1 Structure of subscriber reply data

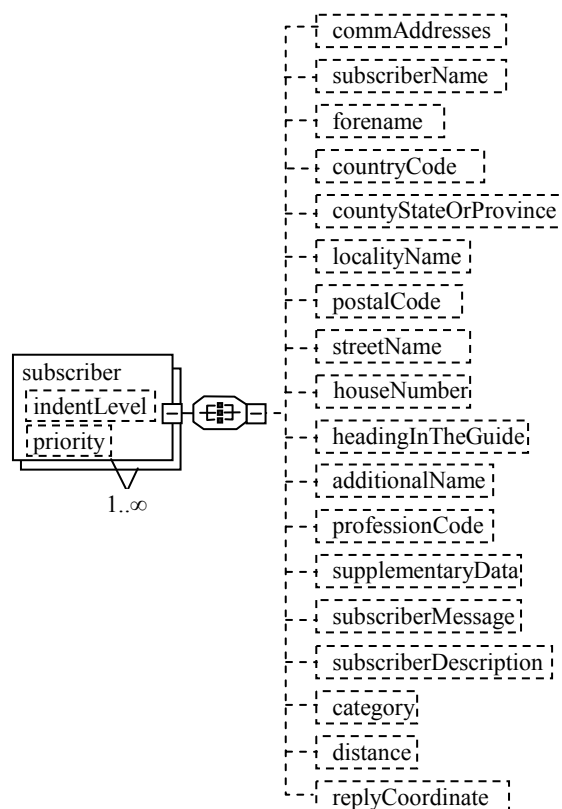


Figure 16 – Structure of subscriber reply

The structure of the subscriber reply data is shown in Figure 16. These structures reflect the information returned by a replying system. If relevant, this information is assumed to be converted by the inquiring system into a format suitable for the presentation for the consumer.

13.6.2 Communications addresses

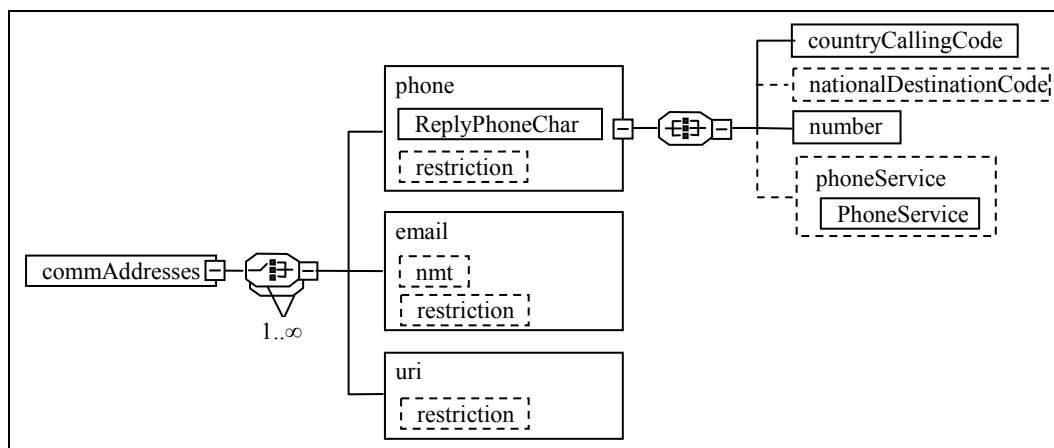


Figure 17 – Structure of communications addresses

The **commAddresses** field is used for holding communications addresses (telephone number, e-mail address, URL, etc.). The structure of this field is shown in Figure 17. As indicated, a communications address is a choice among the subfields **phone**, **email** and **uri** represented by XML child elements. This choice may be taken multiple times allowing any number of communications addresses in any order to be included within the field. A replying system may generate a list of communications addresses in a preferential order.

This field shall be present when a subscriber is found having one or more communications addresses. Otherwise, it shall be absent.

Each subfield has an optional **restriction** second level subfield represented by an XML attribute. This second level subfield is an enumeration with the following values:

- **disclose**, which means that the communications address may be disclosed;
- **nonDisclose**, which means that the communications address shall not be disclosed. It is a local option whether the replying system will return the communication address, whether to place seven uppercase X'es in the subfield or to leave the subfield empty.

If the optional **restriction** second level subfield is absent, it defaults to **disclose**.

New values for the **restriction** second level subfield may be defined in the future. An inquiring system shall not consider it an error if an unsupported value is received, but shall act as for the **nonDisclose** value.

In the following, the subfields are further defined:

- **phone**: In addition to the **restriction** second level subfield, a **phone** subfield may have the following second level subfields all represented by child elements of the **phone** XML element:
 - The **countryCallingCode** mandatory second level subfield shall hold the E.164 country code for the selection.
NOTE – This subfield corresponds to the **countryCode** field of version 2.00. The **countryCallingCode** is used here to allow the **countryCode** term to be used for the ISO 3166-1 country code.
 - The **nationalDestinationCode** second level subfield shall be present when a national destination code exists and the subscriber's number may be disclosed. It shall be formatted as defined by [ITU-T E.164].

This subfield shall be absent if the national destination code does not exist or if the communications address is not to be disclosed.

- The **number** second level mandatory subfield shall hold the telephone number formatted according to [ITU-T E.164]. It shall not include a possible national destination calling code.
- Below is specified a number of some optional second level subfields indicating telephone number characteristics. Such a subfield, when present, shall be represented by an XML Boolean attribute of the **phone** element. It shall have the value **true** if the communication address the corresponding characteristic has. Otherwise, the communications address does not have that characteristic. The following characteristics are defined:
 - a) **ftn**: When the telephone number is a tax-free telephone number.
 - b) **mob**: When the telephone number is for a mobile telephone.
 - c) **fixed**: When the telephone number is for a fixed-line telephone.
 - d) **prn**: When the telephone number is a premium rate telephone number.
 - e) **nprn**: When the telephone number is a personal country-wide telephone number.
 - f) **upn**: When the telephone number is a personal worldwide number.
 - g) **old**: When the telephone number has been valid, but is now obsolete.
 - h) **adv**: When the telephone number comes from an advertising listing.
 - i) **nmk**: When the telephone number shall not be used for marketing.
- The **phoneService** optional second level subfield, when present, shall have one or more third level subfields indicating the types of services (see below) associated with the **number**. A third level subfield, when present, shall be represented by an XML Boolean attribute of the **phoneService** empty element. It shall have the value **true** if the corresponding service is supported. Otherwise, that service is not supported. The following services are defined:
 - a) **fax**: When a fax service can be obtained at the telephone number.
 - b) **pbx**: When the telephone number is for a PBX.
 - c) **txt**: When the telephone number is for a text telephone.
 - d) **pub**: When the telephone number is for a public telephone.
 - e) **vid**: When the telephone number is for a video telephone.
 - f) **pag**: When the telephone number is for a pager.
 - g) **voice**: When voice communications can be conducted through the telephone number.
 - h) **data**: When data communications can be conducted through the telephone number.
 - i) **sms**: When the short message service (SMS) is supported through the telephone number.
 - j) **mms**: When the multimedia messaging service (MMS) is supported through the telephone number.
 - k) **emg**: When emergency messages are supported through the telephone number.

– An **email** subfield represented by a child XML element shall hold the e-mail address formatted according to [IETF RFC 822]. In addition to the **restriction** second level subfield, it may have the following second level subfield represented by an XML attribute

of the **email** XML element:

- a) **nmk**: This subfield, when present and has the value **true**, indicates that the e-mail address shall not be used for marketing.
- A **uri** child element has no second level child elements beyond **restriction**, but shall hold the URI formatted according to [IETF RFC 1738].

As new communications addresses may be added in the future, an inquiry system should not consider it an error if an unknown subfield is received.

13.6.3 Subscriber name

The **subscriberName** optional field, when present, shall hold either the surname or trade name of the subscriber.

13.6.4 Forename

The **forename** optional field, when present, shall hold the subscriber's forename.

13.6.5 Country code

The optional **countryCode** field, when present, shall hold the country code of the subscriber, and it shall consist of two characters as defined by [ISO 3166-1] alpha 2.

13.6.6 County, state or province

The **countyStateOrProvince** optional field, when present, shall hold the county, state or province name.

13.6.7 Locality name

The **localityName** optional field, when present, shall hold the locality name under which the subscriber has been found.

A postal code shall not be supplied in this field as for version 1, but may be supplied in the **postalCode** field (see clause 13.6.8).

13.6.8 Postal code

The **postalCode** optional field, when present, shall hold the postal code of the subscriber.

13.6.9 Name of street or equivalent

The **streetName** optional field, when present, shall hold the name of the street or equivalent.

13.6.10 House number

The **houseNumber** optional field, when present, shall hold the identifier of a house within a street. A possible numerical part of the house number shall precede the possible alphabetical part without separation. Non-significant zeroes shall be omitted.

13.6.11 Heading in the guide

The **headingInTheGuide** optional field, when present, shall be used for holding the business category when relevant for the subscriber.

The semantics of the **headingInTheGuide** field is described in clause 10.2.4.6.

13.6.12 Additional naming information

The **additionalName** optional field, when present, shall hold additional naming information.

This field may be used when an additional family name is to be returned (see clause 13.3.11). This field may also be used for returning other naming information relevant for countries or cultures.

The specific use of this field shall be specified in the operator's manual.

The support for additional family name is mandatory.

13.6.13 Profession code

The **professionCode** optional field, when present, specifies for a residential subscriber the profession, job, or academic title.

13.6.14 Supplementary data

The **supplementaryData** optional field, when present, shall hold supplementary information about the subscriber.

13.6.15 Subscriber message

The **subscriberMessage** optional field, when present, shall hold a coded message, which should be converted into text by the inquiring system.

The following codes are defined:

- 0 = no comment;
- 1 = subscriber changed address;
- 2 = refer to distant operator;
- 3 = message in freeform text giving additional information about the subscriber and to be included in this field separated by one space from the code.

13.6.16 Subscriber description

The **subscriberDescription** optional field, when present, shall be used for providing complete and relevant information about the subscriber. Such additional information might be available in the DA database, and it may not easily fit into other fields. The information is in free text (e.g., "Open 24/24 hours"). It may be information in addition to what is provided in fields, like **supplementaryData** and **subscriberMessage**.

13.6.17 Category

The **category** optional field, when present, shall supply information about the subscriber category (see below).

A subfield, when present, shall be represented by an XML Boolean attribute of the **category** empty element. If a subfield has the value **true**, the corresponding category applies for the subscriber. Otherwise, it does not.

When the **category** field is present, one or more of the following subfields shall be present:

- a) **business** indicates that the subscriber is a business subscriber;
- b) **residential** indicates that the subscriber is a residential subscriber;
- c) **government** indicates that the subscriber is for a governmental subscriber.

13.6.18 Distance

The **distance** field shall be present if a proximity search has been performed. Otherwise, it shall be absent. It gives the distance from the centre of the proximity search to this subscriber's position.

The value shall be a numeric character. The mapping of the number to a real distance is service-provider dependent and shall be specified in the operator's manual.

13.6.19 Reply coordinate

The **replyCoordinate** field gives the coordinates of the selection.

If the replying system has coordinates available within a subscriber listing, it should return them in the result.

This field has the subfields **latitude** and **longitude** with the same meaning and encoding requirements as specified in clause 13.3.19.

13.6.20 Indent level

The **indentLevel** field, if present, shall hold a number that indicates the level of the corresponding listing within a hierarchical group (see clause 9.5).

If this field is not present, it defaults to zero.

13.6.21 Priority

The **priority** field, if present, shall hold a number that indicates the priority of the corresponding listing.

If this field is not present, this means that this listing has no priority.

The value is specified as a numeric character, where priority "1" is the highest priority.

The maximum value is "99", which means the lowest priority.

NOTE – The replying system defines the sort order of the listings. It is up to the replying system whether the priority has influence on the sort order.

13.7 Locality reply data

13.7.1 Structure of locality reply data

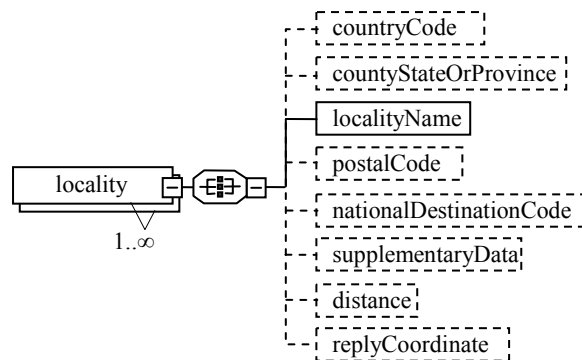


Figure 18 – Structure of locality reply

13.7.2 Country code

The **countryCode** optional field, when present, shall hold the country code of the locality to be returned, and it shall consist of two characters, as defined by [ISO 3166-1] alpha 2.

13.7.3 County, state or province

The **countyStateOrProvince** optional field, when present, shall hold the county, state or province name of the locality being returned.

13.7.4 Locality name

The mandatory **localityName** field shall hold the name of the locality to be returned.

A postal code shall not be supplied in this field as for version 1, but may be supplied in the **postalCode** field (see clause 13.7.5).

A number sign may optionally follow the locality name, but a number sign shall follow it if it is needed in a follow-on inquiry to make the locality unambiguous.

A locality name taken from the locality list and placed unchanged in the **localityName** inquiry field shall never result in a locality list as an answer.

13.7.5 Postal code

The **postalCode** optional field, when present, shall hold the postal code of the locality being returned.

13.7.6 National destination code

The **nationalDestinationCode** optional field may be present when a national destination code exists for the location to be returned. It shall be formatted as defined by [ITU-T E.164].

This field shall be absent if the national destination code does not exist.

13.7.7 Supplementary data

The **supplementaryData** optional field, when present, shall hold supplementary information about the locality being returned.

13.7.8 Distance

The **distance** field shall be present if a neighbouring locality search has been performed. Otherwise, it shall be absent. It gives the distance from the centre of the neighbouring locality search to this locality's position.

The value shall be a character-encoded number. The mapping of the number to a real distance is service-provider dependent and shall be specified in the operator's manual.

13.7.9 Reply coordinate

The **replyCoordinate** field gives the coordinates of the locality being returned.

If the replying system has coordinates available within a locality listing, it should return them in the result.

This field has the subfields **latitude** and **longitude** with the same meaning and encoding requirements, as specified in clause 13.3.19.

13.8 Business category reply data

13.8.1 Structure of business category reply data

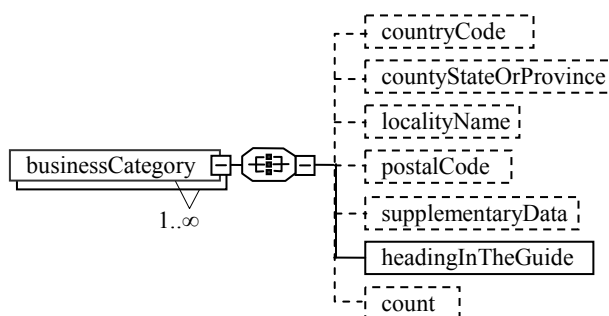


Figure 19 – Structure of business category reply

13.8.2 Country code

The optional `countryCode` field, when present, shall hold the country code of the returned business category. It shall consist of two characters, as defined by [ISO 3166-1] alpha 2.

13.8.3 County, state or province

The `countyStateOrProvince` optional field, when present, shall hold the name of the county, state or province name where instances of the business category in question have been found. It shall not be present if the search has been performed across multiple counties, states or provinces and the business category in question is represented in multiple counties, states or provinces.

13.8.4 Locality name

The `localityName` optional field, when present, shall hold the name of the locality where instances of the business category in question have been found. It shall not be present if the search has been performed across multiple locations and the business category in question is represented in multiple locations.

13.8.5 Postal code

The `postalCode` optional field, when present, shall hold the postal code of the area where instances of the business category in question have been found. It shall not be present if the search has been performed across multiple postal areas and the business category in question is represented in multiple areas.

13.8.6 Supplementary data

The `supplementaryData` optional field, when present, shall hold supplementary information about the business category being returned.

13.8.7 Heading in the guide

The `headingInTheGuide` mandatory field shall hold the name of the business category being returned.

The semantics of the `headingInTheGuide` field is described in clause 10.2.4.6.

13.8.8 Count

The `count` optional field, when present, shall indicate the number of instances of the business category in question within the relevant area.

13.9 Street reply data

13.9.1 Structure of street reply data

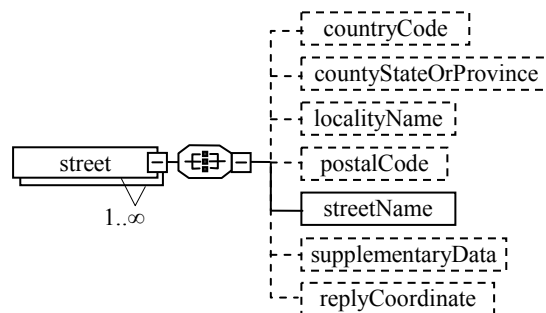


Figure 20 – Structure of street reply

13.9.2 Country code

The optional `countryCode` field, when present, shall hold the country code of the locality being returned, and it shall consist of two characters, as defined by [ISO 3166-1] alpha 2.

13.9.3 County, state or province

The `countyStateOrProvince` optional field, when present, shall hold the county, state or province name of the street being returned.

13.9.4 Locality name

The `localityName` optional field, when present, shall hold the name of the street being returned.

A postal code shall not be supplied in this field as for version 1, but may be supplied in the `postalCode` field (see clause 13.7.5).

A number sign may optionally follow the locality name.

13.9.5 Postal code

The `postalCode` optional field, when present, shall hold the postal code of the street being returned.

13.9.6 Name of street or equivalent

The `streetName` mandatory field shall hold the name of the street or equivalent.

13.9.7 Supplementary data

The `supplementaryData` optional field, when present, shall hold supplementary information about the street being returned.

13.9.8 Reply coordinate

The `replyCoordinate` optional field, when present, gives the coordinates of the street being returned.

If the replying system has coordinates available within a street listing, it should return them in the result.

This field has the subfields `latitude` and `longitude` with the same meaning and encoding requirements, as specified in clause 13.3.19.

13.10 County, state or province reply data

13.10.1 Structure of county, state or province reply data

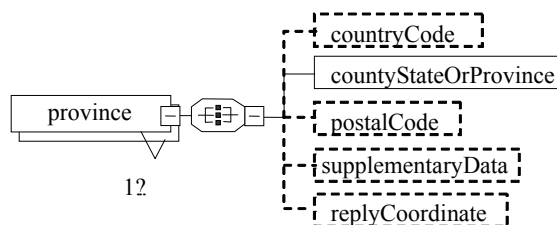


Figure 21 – Structure of county, state or province reply

13.10.2 Country code

The optional `countryCode` field, when present, shall hold the country code of the locality to be returned, and it shall consist of two characters, as defined by [ISO 3166-1] alpha 2.

13.10.3 County, state or province

The **countyStateOrProvince** mandatory field shall hold the name of county, state or province to be returned.

13.10.4 Postal code

The **postalCode** optional field, when present, shall hold the postal code of the county, state or province to be returned.

13.10.5 Supplementary data

The **supplementaryData** optional field, when present, shall hold supplementary information about the county, state or province to be returned.

13.10.6 Reply coordinate

The **replyCoordinate** optional field, when present, gives the coordinates of the county, state or province being returned.

If the replying system has coordinates available within a county, state or province listing, it should retransmit them in the result.

This field has the subfields **latitude** and **longitude** with the same meaning and encoding requirements, as specified in clause 13.3.19.

14 Directory transaction

A directory transaction is not supported for versions prior to 2.10. A directory transaction consists of a **directoryInquiry** and a **directoryReply**.

A directory inquiry/reply allows the inquiring system to determine which DA directories may be accessed through the replying system, including the replying system itself. The status of such DA directories may also be retrieved.

14.1 Directory list inquiry header

14.1.1 Structure of the inquiry header

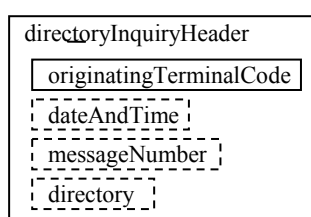


Figure 22 – Structure of directory inquiry header

The structure of the inquiry header is shown in Figure 22.

14.1.2 Originating terminal code

The **originatingTerminalCode** mandatory field shall hold a value generated by the inquiring system. The replying system shall echo this value in the reply (see clause 14.3.2).

This field may be used by an inquiring system to pair a reply with the corresponding inquiry and thereby route the reply back to the source of the inquiry, e.g., a particular workstation.

If the length of the field is not exactly 8 characters, message code 22 shall be returned by the replying system. Otherwise, the replying system shall not check the content of this field.

14.1.3 Date and time

The **dateAndTime** shall be encoded according to [ISO 8601] with the following restrictions. The year-month-day hour:minutes:seconds shall be encoded as yyyy-mm-ddThh:mm:ss, where yyyy is the year, the first mm is the month, the dd is the date, T is a separator, hh is the hour in a 24-hour clock system, the last mm is minutes, and ss is seconds. An example of such an encoding is:

2009-05-18T17:36:25

The replying system shall echo this value in the reply (see clause 14.3.3).

14.1.4 Message number

The **messageNumber** optional field, when present, shall hold a message number generated by the inquiring system.

If this field is present, the content shall not be checked by the replying system, but shall be echoed unchanged back to the inquiring system (see clause 14.3.4).

If the length of the field is not exactly 4 characters, message code 22 shall be returned by the replying system.

14.1.5 Directory

The **directory** optional field, when present, shall hold the full name of a particular directory to be inquired.

14.2 Directory inquiry data

14.2.1 Structure of the directory inquiry data

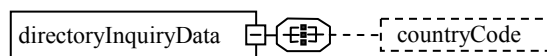


Figure 23 – Structure of directory inquiry data

Figure 23 shows the structure of the **directoryInquiryData** protocol element.

14.2.2 Country code

This field is optional. If present, only information about accessible directory systems for the country indicated is requested.

If the field is absent, information about all accessible directory systems is requested.

14.3 Directory reply header

14.3.1 Structure of directory reply header

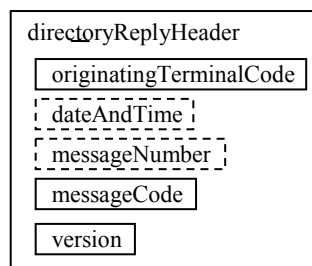


Figure 24 – Structure of directory reply header

The structure of a directory reply header is shown in Figure 24. This structure reflects the information returned by a replying system. If relevant, this information is assumed to be converted by the inquiring system into a format suitable for the presentation for the consumer.

14.3.2 Originating terminal code

The **originatingTerminalCode** mandatory field shall echo the corresponding field of the directory inquiry (see clause 14.1.2).

14.3.3 Date and time

The **dateAndTime** field shall, if the corresponding field is present in the inquiry (see clause 14.1.3), echo the date and time as generated by the inquiring system. Otherwise, this field shall be absent.

14.3.4 Message number

The **messageNumber** field shall, if the corresponding field is present in the inquiry (see clause 14.1.4), echo the message number as generated by the inquiring system. Otherwise, this field shall be absent.

14.3.5 Message code

The **messageCode** mandatory field shall signal the outcome of the inquiry. Message codes are defined in Annex I.

NOTE – If the consumer is a human being, it is assumed that the inquiring system will convert the message code to a text message.

14.3.6 Version

The **version** is a four-character, mandatory field, where the two leftmost characters indicate the version and the two remaining characters hold the release indication.

14.4 Directory reply data

14.4.1 Structure of directory reply data

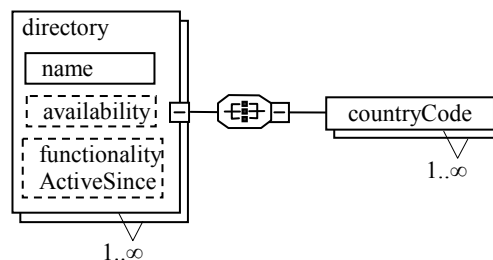


Figure 25 – Structure of directory reply

The reply data is comprised of one or more DA directory specifications. Each directory specification has a structure as shown in Figure 25.

14.4.2 Name

The **name** mandatory field shall be provided as an XML attribute and shall hold the name assigned to the DA directory. This name is used in a **directory** field when requesting information or providing information from a particular DA directory (e.g., see clauses 13.2.5 and 13.5.7).

The name shall be composed of characters from the ITU-T E.115 **basic** character subset.

14.4.3 Availability

The **availability** optional field, when present, shall indicate the availability of the directory system. It may take the following values:

- **available** indicating that the directory system is currently available.
- **unavailable** indicating that the directory system is currently unavailable.
- **unknown** indicating that the status of the directory system is currently unknown.
- **blocked** indicating that access to the directory system is currently blocked.

If this field is not present, the availability is unspecified.

14.4.4 Functionality active since

The **functionalityActiveSince** optional field, when present, shall indicate when the current functionality by this DA directory was established. Its syntax is the same as for the **dateAndTime** field (see clause 14.1.3).

14.4.5 Country code

The **countryCode** mandatory field shall be present in one or more occurrences. A DA directory may support multiple countries. A **countryCode** field shall be provided for each such country.

The value shall consist of two characters as defined by [ISO 3166-1].

15 Functionality List

15.1 Overview

A functionality transaction is not supported for versions prior to 2.10. A functionality transaction consists of a **functionalityInquiry** and a **functionalityReply**.

A **functionalityInquiry** inquiry allows the inquiring system to determine the support provided by a particular replying system and any special requirement on field contents imposed by supported DA directories.

15.2 Functionality inquiry header

15.2.1 Structure of functionality inquiry header

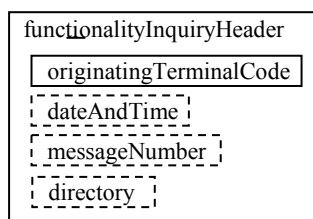


Figure 26 – Structure of functionality inquiry header

15.2.2 Originating terminal code

The **originatingTerminalCode** mandatory field shall hold a value generated by the inquiring system. The replying system shall echo this value in the reply (see clause 15.3.2).

This field may be used by an inquiring system to pair a reply with the corresponding inquiry and thereby route the reply back to the source of the inquiry, e.g., a particular workstation.

If the length of the field is not exactly 8 characters, message code 22 shall be returned by the replying system. Otherwise, the replying system shall not check the content of this field.

15.2.3 Date and time

The **dateAndTime** shall be encoded according to [ISO 8601] with the following restrictions. The year-month-day hour:minutes:seconds shall be encoded as yyyy-mm-ddThh:mm:ss, where yyyy is the year, the first mm is the month, the dd is the date, T is a separator, hh is the hour in a 24-hour clock system, the last mm is minutes, and ss is seconds. An example of such an encoding is:

2009-05-18T17:36:25

The replying system shall echo this value in the reply (see clause 15.3.3).

15.2.4 Message number

The **messageNumber** optional field, when present, shall hold a message number generated by the inquiring system.

If this field is present, the content shall not be checked by the replying system, but shall be echoed unchanged back to the inquiring system (see clause 15.3.4).

If the length of the field is not exactly 4 characters, message code 22 shall be returned by the replying system.

15.2.5 Directory

The **directory** optional field, when present, shall hold the name of a directory for which functionality information is requested. If this field is not present, information about several directory systems may be returned.

15.3 Functionality list reply header

15.3.1 Structure of functionality reply header

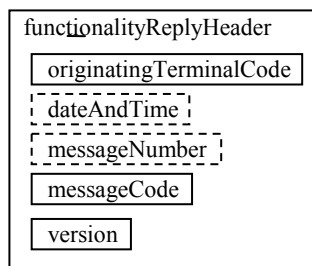


Figure 27 – Structure of functionality reply header

The reply header shall follow the structure defined in clause 11.2.3. Reply header fields not listed below shall not be included.

15.3.2 Originating terminal code

The **originatingTerminalCode** mandatory field shall echo the corresponding field of the Functionality inquiry (see clause 15.2.2).

15.3.3 Date and time

The **dateAndTime** field shall, if the corresponding field is present in the inquiry (see clause 15.2.3), echo the date and time as generated by the inquiring system. Otherwise, this field shall be absent.

15.3.4 Message number

The **messageNumber** field shall, if the corresponding field is present in the inquiry (see clause 15.2.4), echo the message number as generated by the inquiring system. Otherwise, this field shall be absent.

15.3.5 Message code

The **messageCode** mandatory field signals the outcome of the inquiry. Message codes are defined in Annex I.

NOTE – If the consumer is a human being, it is assumed that the inquiring system will convert the message code to a text message.

15.3.6 Version

version is a four-character mandatory field, where the two leftmost characters indicate the version and the two remaining characters hold the release indication.

15.4 Functionality reply data

15.4.1 Structure of functionality reply data

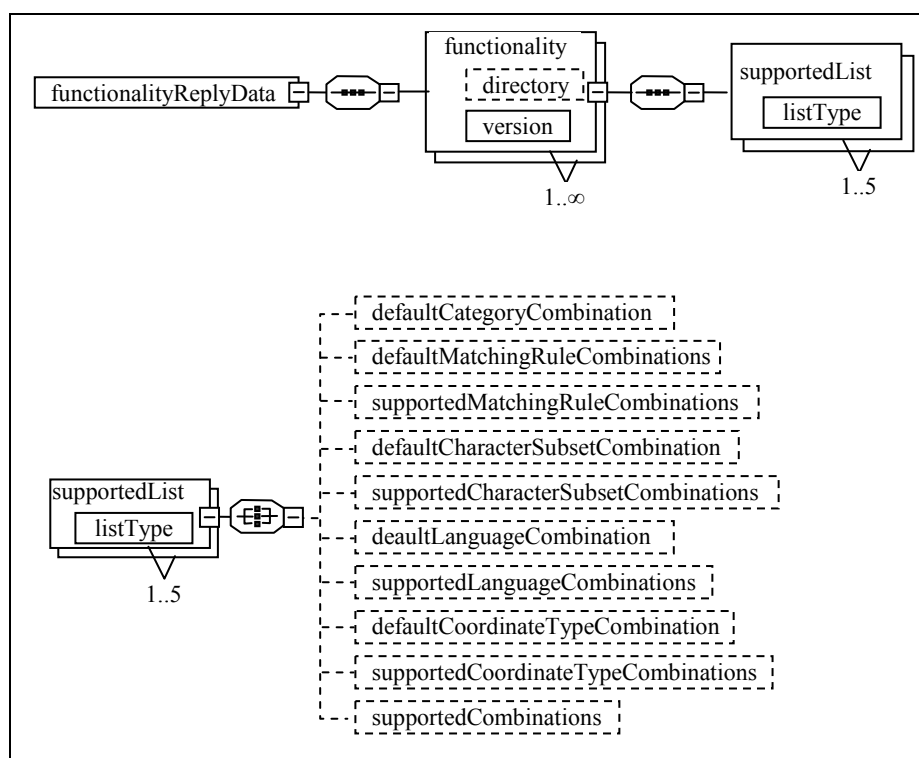


Figure 28 – Structure of functionality list reply data

The **functionalityReplyData** is comprised of **functionality** elements. A **functionality** element specifies functionalities for a particular DA directory system. A **functionality** element is comprised of **supportedList** elements.

A **supportedList** element specifies the requirements for a DA inquiry depending on the list type specified in the **requestedReplyType** field. The list type for which a **supportedList** is specified in a **listType** XML attribute. This attribute shall take one of the following values:

- a) **subscriberList**;
- b) **localityList**;

- c) **businessCategoryList**;
- d) **streetList**; or
- e) **provinceList**.

A **supportedList** is comprised of elements detailing what functionalities are supported for the particular list type.

If a functionality list type is not included in a reply, it signals that the corresponding list type is not supported.

15.4.2 General specifications

15.4.2.1 Default category combination

The **defaultCategoryCombination** field specifies what categories are assumed if category is not specified in a DA inquiry. It has the mandatory subfields **residential**, **business** and **government** representing the corresponding categories. They are defined as XML Boolean attributes. If a subfield is set to **true**, the corresponding category is assumed. If it is set to **false**, the corresponding category is not assumed.

15.4.2.2 Default matching rule combinations

The **defaultMatchingRuleCombinations** element defines which matching rules are defaults for each set of category combinations. Each default combination is defined by a **defaultMatchingRuleCombination** field.

A **defaultMatchingRuleCombination** field has the following subfields:

- a) **wordRotation** is a mandatory subfield represented by an XML Boolean attribute. It shall take the value **true** if word rotation matching is done as default for the category combinations defined in d) below. Otherwise, it shall take the value **false**.
- b) **phonetic** is a mandatory subfield represented by an XML Boolean attribute. It shall take the value **true** if phonetic matching is done as default for the category combinations defined in d) below. Otherwise, it shall take the value **false**.
- c) **alias** is a mandatory subfield represented by an XML Boolean attribute. It shall take the value **true** if alias matching is done as default for the category combinations defined in d) below. Otherwise, it shall take the value **false**.
- d) **category** is a mandatory subfield with possible multiple occurrences. Each occurrence represents a category combination for which the default matching rules apply. It is represented by an empty XML child element with three mandatory XML Boolean attributes named **business**, **residential** and **government** each representing the corresponding category. If an attribute has the value **true**, the category is included in the category combination. Otherwise, it is not included.

15.4.2.3 Supported matching rule combinations

The **supportedMatchingRuleCombinations** element defines which matching rules are supported for each set of category combinations. Each supported combination is defined by a **supportedMatchingRuleCombination** field.

A **supportedMatchingRuleCombination** field has the following subfields:

- a) **wordRotation** is a mandatory subfield represented by an XML Boolean attribute. It shall take the value **true** if word rotation matching may be specified in the DA inquiry for any of the category combinations defined in d) below. Otherwise, it shall take the value **false**.

- b) **phonetic** is a mandatory subfield represented by an XML Boolean attribute. It shall take the value **true** if phonetic matching may be specified in the DA inquiry for any of the category combinations defined in d) below. Otherwise, it shall take the value **false**.
- c) **alias** is a mandatory subfield represented by an XML Boolean attribute. It shall take the value **true** if alias matching may be specified in the DA inquiry for any of the category combinations defined in d) below. Otherwise, it shall take the value **false**.
- d) **category** is a mandatory subfield with possible multiple occurrences. Each occurrence represents a category combination for which the supported matching rules apply. It is represented by an empty XML child element with three mandatory XML Boolean attributes named **business**, **residential** and **government** each representing the corresponding category. If an attribute has the value **true**, the category is included in the category combination. Otherwise, it is not included.

15.4.2.4 Default character subset combination

The **defaultCharacterSubsetCombination** field specifies which inquiry and/or reply ITU-T E.115 character subsets are default if a corresponding field is not specified in a DA inquiry. It has two mandatory subfields represented by XML attributes.

- a) **inquiryCharacterSubset** specifies what ITU-T E.115 character subset is assumed in a DA inquiry, if the **inquiryCharacterSubset** field is not included in that DA inquiry.
- b) **replyCharacterSubset** specifies what ITU-T E.115 character subset is used in a DA reply, if the **replyCharacterSubset** field is not included in the corresponding DA inquiry.

Each of the attributes shall take one of the following values:

- **basic**: If this attribute value is specified, it signals that the **basic** ITU-T E.115 character subset will be assumed.
- **latin1**: If this attribute value is specified, it signals that the **latin1** ITU-T E.115 character subset will be assumed.
- **latin-ext**: If this attribute value is specified, it signals that the **latin-ext** ITU-T E.115 character subset will be assumed.
- **cyrillic**: If this attribute value is specified, it signals that the **cyrillic** ITU-T E.115 character subset will be assumed.
- **greek**: If this attribute value is specified, it signals that the **greek** ITU-T E.115 character subset will be assumed.
- **arabic**: If this attribute value is specified, it signals that the **arabic** ITU-T E.115 character subset will be assumed.

15.4.2.5 Supported character subset combinations

A **supportedCharacterSubsetCombinations** field is comprised of one or more **supportedCharacterSubsetCombination** subfields represented by XML child elements. Each such subfield defines a supported character subset combination and has two mandatory second level subfields represented by XML attributes:

- a) **inquiryCharacterSubset** specifies which ITU-T E.115 character subset may be specified in the **inquiryCharacterSubset** field of a DA inquiry.
- b) **replyCharacterSubset** specifies which ITU-T E.115 character subset may be specified in the **replyCharacterSubset** field of a DA inquiry.

Each of the attributes shall take one of the following values:

- **basic**: If this attribute value is specified, it signals that the **basic** ITU-T E.115 character subset may be specified.
- **latin1**: If this attribute value is specified, it signals that the **latin1** ITU-T E.115 character subset may be specified.
- **latin-ext**: If this attribute value is specified, it signals that the **latin-ext** ITU-T E.115 character subset may be specified.
- **cyrillic**: If this attribute value is specified, it signals that the **cyrillic** ITU-T E.115 character subset may be specified.
- **greek**: If this attribute value is specified, it signals that the **greek** ITU-T E.115 character subset may be specified.
- **arabic**: If this attribute value is specified, it signals that the **arabic** ITU-T E.115 character subset may be specified.

15.4.2.6 Default language combination

The **defaultLanguageCombination** field has the following subfields:

- a) **inquiryLanguage** specifies which language is assumed in a DA inquiry, if the **inquiryLanguage** field is not included in that inquiry.
- b) **replyLanguage** specifies which language is used in a DA reply, if the **replyLanguage** field is not included in the corresponding DA inquiry.

15.4.2.7 Supported language combinations

The **supportedLanguageCombinations** element specifies the set of supported language combinations.

A supported language combination is specified by a **supportedLanguageCombination** field, which has the same subfields as the **defaultLanguageCombination** field.

15.4.2.8 Default coordinate type combination

The **defaultCoordinateTypeCombination** field shall have two subfields:

- a) **inquiryCoordinateType** announces the coordination type assumed in the **searchCoordinate** field of a DA inquiry if the **inquiryCoordinateType** field is not included in that inquiry. It shall be an empty XML element with two XML attributes:
 - **geodeticDatum** with the geodetic datum as value; and
 - **geographical** holding the geographical type with the value **dms**, **dd** or **dec**.
- b) **replyCoordinateType** announces the coordination type to be used in a DA reply if the **replyCoordinateType** is not included in a DA inquiry. It shall be an empty XML element with two XML attributes as specified in a) above.

15.4.2.9 Supported coordinate type combinations

The **supportedCoordinateTypeCombinations** element announces a set of supported coordinate combinations, each specified by a **supportedCoordinateTypeCombination** field, which each has the following subfields:

- a) **inquiryCoordinateType** announces a coordination type that may be specified in the **inquiryCoordinateType** field of a DA inquiry. It shall be an empty XML element with two XML attributes as specified in a) of clause 15.4.2.8.

- b) **replyCoordinateType** announces the coordination type that may be specified in the **replyCoordinateType** field of a DA inquiry. It shall be an empty XML element with two XML attributes as specified in a) of clause 15.4.2.8.

15.4.3 Supported combinations

15.4.3.1 General

The **supportedCombinations** element specifies a set of supported combination of fields in a DA inquiry. Each supported combination is specified by a **supportedCombination** element.

A supported combination functionality list is comprised of a number of fields where each field supplies information about requirements and options for the corresponding field within a DA inquiry. If a field is not included in a **supportedCombination** element, the corresponding field shall not be present in a DA inquiry.

When the inquiring system enters a particular list type in the **requestedReplyType** field of a DA inquiry, this inquiry should comply with at least one of the **supportedCombination** elements for that list type. Compliance with a **supportedCombination** element means supplying all fields that are labelled as mandatory and exclude all fields that are not represented. In addition, all fields supplied in a DA inquiry shall comply with the restriction for such fields.

15.4.3.2 Structure of supported combination element

15.4.3.3 Common subfields

The following subfields represented as XML attributes are common for several fields:

- a) **mandatory**: This subfield is a Boolean. If it has the value **true**, it signals that the corresponding field shall be present in a DA inquiry to be complying with the functionality list in question. If it has the value **false**, it signals that the corresponding field may be present in a DA inquiry, but is not required.
- b) **minLen**: This optional subfield is an integer that signals the minimum number of characters for a character type field in a DA inquiry. If this field is not present, the minimum length is one character.
- c) **maxLen**: This optional subfield is an integer that signals the maximum number of characters for a character type field in a DA inquiry.

15.4.3.4 Applicable category combinations

The **applicableCategoryCombinations** field is comprised of one or more **applicableCategoryCombination** subfields with three mandatory XML Boolean attributes named **business**, **residential** and **government** each representing the corresponding category. If an attribute has the value **true**, the category is applicable for the supported combination. Otherwise, it is not applicable.

15.4.3.5 Inquiry character subset field

The **inquiryCharacterSubsetField** field specifies requirements on the **inquiryCharacterSubset** field of a DA inquiry. It has the following subfield:

- a) **mandatory**: See clause 15.4.3.3.

15.4.3.6 Reply character subset field

The **replyCharacterSubsetField** field specifies requirements on the **replyCharacterSubset** field of a DA inquiry. It has the following subfield:

- a) **mandatory**: See clause 15.4.3.3.

15.4.3.7 Inquiry coordinate type field

The `inquiryCoordinateTypeField` field specifies requirements on the `inquiryCoordinateType` field of a DA inquiry. It has the following subfield:

- a) **mandatory**: See clause 15.4.3.3.

15.4.3.8 Reply coordinate type field

The `replyCoordinateTypeField` field specifies requirements on the `replyCoordinateType` field of a DA inquiry. It has the following subfield:

- a) **mandatory**: See clause 15.4.3.3.

15.4.3.9 Inquiry language field

The `inquiryLanguageField` field specifies requirements on the `inquiryLanguageField` field of a DA inquiry. It has the following subfield:

- a) **mandatory**: See clause 15.4.3.3.

15.4.3.10 Reply language field

The `replyLanguageField` field specifies requirements on the `replyLanguageField` field of a DA inquiry. It has the following subfield:

- a) **mandatory**: See clause 15.4.3.3.

15.4.3.11 Subscriber name field

The `subscriberNameField` field specifies requirements on the `subscriberName` field of a DA inquiry. It has the following subfields:

- a) **mandatory**: See clause 15.4.3.3.
- b) **minLen**: See clause 15.4.3.3.
- c) **maxLen**: See clause 15.4.3.3.

15.4.3.12 Country code field

The `countryCodeField` field specifies requirements on the `countryCode` field in a DA inquiry. It has the following subfield:

- a) **mandatory**: See clause 15.4.3.3.

15.4.3.13 County, state or province field

The optional `countyStateOrProvinceField` field specifies requirements on the `countyStateOrProvince` field in a DA inquiry. It has the following subfields:

- a) **mandatory**: See clause 15.4.3.3.
- b) **minLen**: See clause 15.4.3.3.
- c) **maxLen**: See clause 15.4.3.3.

15.4.3.14 Locality name field

The optional `localityNameField` field specifies requirements on the `locality` field in a DA inquiry. It has the following subfields:

- a) **mandatory**: See clause 15.4.3.3.
- b) **minLen**: See clause 15.4.3.3.
- c) **maxLen**: See clause 15.4.3.3.

15.4.3.15 Postal code field

The optional **postalCodeField** field specifies requirements on the **postalCode** field in a DA inquiry. It has the following subfields:

- a) **mandatory**: See clause 15.4.3.3.
- b) **minLen**: See clause 15.4.3.3.
- c) **maxLen**: See clause 15.4.3.3.

15.4.3.16 Street name field

The optional **streetNameField** field specifies requirements on the **streetName** field in a DA inquiry. It has the following subfields:

- a) **mandatory**: See clause 15.4.3.3.
- b) **minLen**: See clause 15.4.3.3.
- c) **maxLen**: See clause 15.4.3.3.

15.4.3.17 House number field

The optional **houseNumberField** field specifies requirements on the **houseNumber** field in a DA inquiry. It has the following subfield:

- a) **mandatory**: See clause 15.4.3.3.

15.4.3.18 Forename field

The optional **forenameField** field specifies requirements on the **forename** field in a DA inquiry. It has the following subfields:

- a) **mandatory**: See clause 15.4.3.3.
- b) **minLen**: See clause 15.4.3.3.
- c) **maxLen**: See clause 15.4.3.3.

15.4.3.19 Heading in the guide field

The optional **headingInTheGuideField** field specifies requirements on the **headingInTheGuide** field in a DA inquiry. It has the following subfields:

- a) **mandatory**: See clause 15.4.3.3.
- b) **minLen**: See clause 15.4.3.3.
- c) **maxLen**: See clause 15.4.3.3.

15.4.3.20 Additional name field

The optional **additionalNameField** field specifies requirements on the **additionalName** field in a DA inquiry. It has the following subfields:

- a) **mandatory**: See clause 15.4.3.3.
- b) **minLen**: See clause 15.4.3.3.
- c) **maxLen**: See clause 15.4.3.3.

15.4.3.21 Profession code field

The optional **professionCodeField** field specifies requirements on the **professionCode** field in a DA inquiry. It has the following subfields:

- a) **mandatory**: See clause 15.4.3.3.
- b) **minLen**: See clause 15.4.3.3.

- c) **maxLen**: See clause 15.4.3.3.

15.4.3.22 Category field

The optional **categoryField** field specifies requirements on the **category** field in a DA inquiry. It has the following subfield:

- a) **mandatory**: See clause 15.4.3.3.

15.4.3.23 Sequence number field

The optional **sequenceNumberField** field specifies requirements on the **sequenceNumber** field in a DA inquiry. It has the following subfield:

- a) **mandatory**: See clause 15.4.3.3.

15.4.3.24 National destination code field

The optional **nationalDestinationCodeField** field specifies requirements on the **nationalDestinationCode** field in a DA inquiry. It has the following subfield:

- a) **mandatory**: See clause 15.4.3.3.
- b) **minLen**: See clause 15.4.3.3.
- c) **maxLen**: See clause 15.4.3.3.

15.4.3.25 Communications address field

The optional **commAddressField** field specifies requirements on the **commAddress** field in a DA inquiry. It has the following subfields:

- a) **mandatory**: See clause 15.4.3.3.
- b) **minLen**: See clause 15.4.3.3.
- c) **maxLen**: See clause 15.4.3.3.

15.4.3.26 Communications address type field

The **localityNameField** field specifies requirements on the **locality** field in a DA inquiry. It has the following subfields:

The **commAddressTypesField** field specifies requirements on the **commAddressTypes** field in a DA inquiry. All the subfields are represented by XML attributes of the **commAddressTypesField** empty element and each subfield shall have, when present, the value **true**. The field has the following mandatory subfields:

- a) **mandatory**: See clause 15.4.3.3.
- b) **phone**: If the value is **true**, **phone** may be specified in the **commAddressTypes** field of a DA inquiry. If the value is **false**, **phone** shall not be specified.
- c) **email**: If the value is **true**, **email** may be specified in the **commAddressTypes** field of a DA inquiry. If the value is **false**, **email** shall not be specified.
- d) **uri**: If the value is **true**, **uri** may be specified in the **commAddressTypes** field of a DA inquiry. If the value is **false**, **uri** shall not be specified.

15.4.3.27 Communications address service field

The **commAddressServiceField** field specifies requirements on the **commAddressService** field in a DA inquiry. All the subfields are represented by XML attributes of the **commAddressServiceSpec** empty element. The field has the following mandatory subfields:

- a) **mandatory**: See clause 15.4.3.3.

- b) **fax**: If the value is **true**, **fax** may be specified in the **commAddressService** field of a DA inquiry. Otherwise, **fax** shall not be specified.
- c) **pbx**: If the value is **true**, **pbx** may be specified in the **commAddressService** field of a DA inquiry. Otherwise, **pbx** shall not be specified.
- d) **txt**: If the value is **true**, **txt** may be specified in the **commAddressService** field of a DA inquiry. Otherwise, **txt** shall not be specified.
- e) **pub**: If the value is **true**, **pub** may be specified in the **commAddressService** field of a DA inquiry. Otherwise, **pub** shall not be specified.
- f) **vid**: If the value is **true**, **vid** may be specified in the **commAddressService** field of a DA inquiry. Otherwise, **vid** shall not be specified.
- g) **pag**: If the value is **true**, **pag** may be specified in the **commAddressService** field of a DA inquiry. Otherwise, **pag** shall not be specified.
- h) **voice**: If the value is **true**, **voice** may be specified in the **commAddressService** field of a DA inquiry. Otherwise, **voice** shall not be specified.
- i) **data**: If the value is **true**, **data** may be specified in the **commAddressService** field of a DA inquiry. Otherwise, **data** shall not be specified.
- j) **http**: If the value is **true**, **http** may be specified in the **commAddressService** field of a DA inquiry. Otherwise, **http** shall not be specified.
- k) **ftp**: If the value is **true**, **ftp** may be specified in the **commAddressService** field of a DA inquiry. Otherwise, **ftp** shall not be specified.
- l) **eml**: If the value is **true**, **eml** may be specified in the **commAddressService** field of a DA inquiry. Otherwise, **eml** shall not be specified.
- m) **sms**: If the value is **true**, **sms** may be specified in the **commAddressService** field of a DA inquiry. Otherwise, **sms** shall not be specified.
- n) **mms**: If the value is **true**, **mms** may be specified in the **commAddressService** field of a DA inquiry. Otherwise, **mms** shall not be specified.
- o) **emg**: If the value is **true**, **emg** may be specified in the **commAddressService** field of a DA inquiry. Otherwise, **emg** shall not be specified.

15.4.3.28 Communications address characteristics field

The **commAddressCharField** field specifies requirements and/or options for the **commAddressChar** field in a DA inquiry. All the subfields are represented by XML attributes of the **commAddressCharSpec** empty element and each subfield shall have, when present, the value **true**. The field has the following subfields:

- a) **mandatory**: See clause 15.4.3.3.

At least one of the following subfields shall be supplied:

- b) **ftn**: When present, it indicates that **ftn** may be specified in the **commAddressChar** field of an inquiry;
- c) **mob**: When present, it indicates that **mob** may be specified in the **commAddressChar** field of an inquiry;
- d) **fixed**: When present, it indicates that **fixed** may be specified in the **commAddressChar** field of an inquiry.

15.4.3.29 Geographical expansion field

The optional **geoExpansionField** field specifies requirements on the **geoExpansion** field in a DA inquiry. It has the following subfield:

- a) **mandatory**: See clause 15.4.3.3.

15.4.3.30 Search coordinate field

The optional **searchCoordinateField** field specifies requirements on the **searchCoordinate** field in a DA inquiry. It has the following subfield:

- a) **mandatory**: See clause 15.4.3.3.

15.4.3.31 Search radius field

The optional **searchRadiusField** field specifies requirements on the **searchRadius** field in a DA inquiry. It has the following subfield:

- a) **mandatory**: See clause 15.4.3.3.

15.4.3.32 Matching rule field

The optional **matchingRuleField** field specifies requirements on the **matchingRule** field in a DA inquiry. It has the following subfield:

- a) **mandatory**: See clause 15.4.3.3.

15.4.3.33 Maximum indent level field

The **maximumIndentLevelField** field announces that the **maximumIndentLevel** is permitted in an inquiry. It has no subfields.

SECTION 4

UNDERLYING PROTOCOL SUPPORT

16 Fixed header protocol (FHP)

16.1 Introduction

The fixed header protocol (FHP) establishes a security context, and it provides enhancements to the data transfer.

The FHP requires that a TCP connection (see clause 16.8.1) has been established.

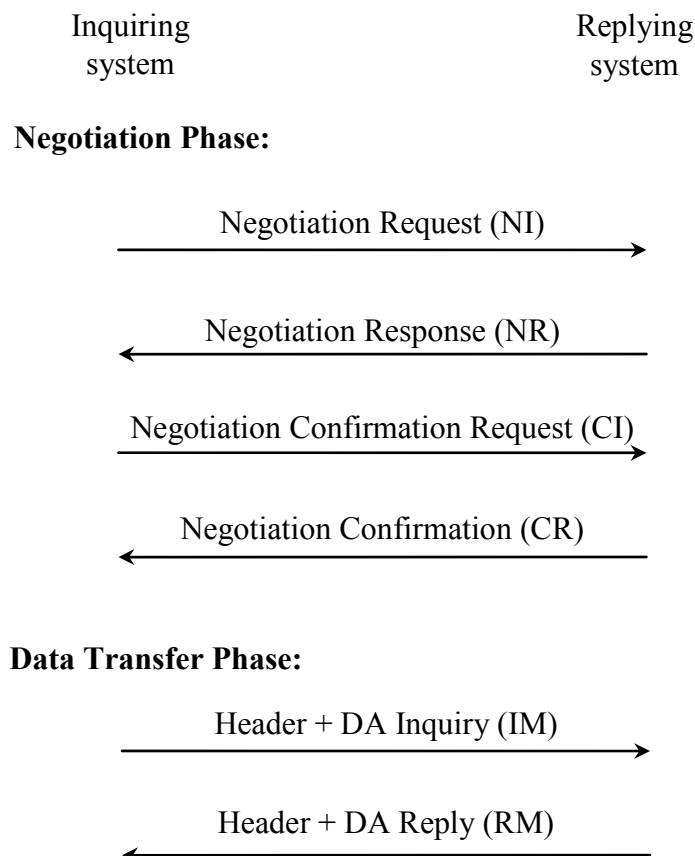


Figure 29 – FHP phases

A communication between an inquiring system and a replying system has two phases: a negotiation phase where the principles for the communication are established, and a data transfer phase where DA inquiries and replies are exchanged.

The FHP negotiation phase consists of a four-way handshake as illustrated in Figure 29. No data are transferred during this phase and all the information is carried as header information.

The FHP support for the data transfer phase is provided as header information prefixed DA inquiries and replies.

The six different message types illustrated in Figure 29 are identified by a Message Type element with a two-letter mnemonic:

- NI for Negotiation Request;
- NR for Negotiation Response;

- CI for Negotiation Confirmation Request;
- CR for Negotiation Confirmation;
- IM for DA Inquiry; and
- RM for DA Reply.

The inquiring system is not required to send inquiries right after the negotiation phase. The normal inactivity timers shall be used (see clause 16.9.3.1).

To protect against missing negotiation messages, the systems shall after a time-out period close the TCP connection. This time-out shall be at least 1 second and not more than 20 seconds with a recommended value of 8 seconds.

If the negotiation fails, the inquiring system should wait for a while before making a subsequent negotiation attempt. At least one minute should elapse between each negotiation attempt, but five minutes are the recommended wait-period.

16.2 Security context

16.2.1 Authentication principle

The replying system may not know the socket of the inquiring system and, even if it does, the socket does not provide a secure identity as it can easily be masqueraded by an outside party. The FHP provides additional authentication through a negotiation procedure during the negotiation phase.

The authentication mechanism is based on the MD5 algorithm. This mechanism requires that both the inquiring and replying systems agree on a common password.

The length of the password shall be at minimum 6 characters and at maximum 16 characters, where the characters shall be selected from the repertoire defined in clause 9.1.1.

This password must be kept in confidence. If this password is compromised by a third party obtaining it, the authentication mechanism is compromised. In particular, a replying system must rely on the inquiring system to protect the password.

The mechanism uses the four-way negotiation exchange, as illustrated in Figure 29.

- 1) The inquiring system sends a Negotiation Request (NI).
- 2) The replying system generates and sends a non-encrypted random number in the random number field of the Negotiation Response. The structure and coding of this random number use the following ASN.1-like notation:
 - 1010 0000 (the "ASN.1" tag);
 - LENGTH of random number encoded as an unsigned binary number;
 - Random number of minimum 8 numeric octets and maximum 100 octets, where each octet is coded as an unsigned number taking any value from 0 to 255.
- 3) The inquiring system concatenates the random number (without the tag and length fields) with the shared password (<random number><password>); and then by using the MD5 algorithm, as defined by [IETF RFC 1321], it generates a 128-bit digest (fingerprint) and sends that back to the replying system in the MD5Digest element of a Negotiation Confirmation Request using the following format:
 - 1010 0001 (the "ASN.1" tag);
 - LENGTH of MD5 digest encoded as unsigned binary number (always 16);
 - MD5 digest

Example: Let us assume that the bilaterally agreed password is "345678". If the random number generated by the replying system is "8171", then the input of the MD5 message-digest algorithm is "8171345678" (38313731333435363738'H).

- 4) The replying system produces a 128-bit MD5 digest exactly as the inquiring system and compares that with the one received from the inquiring system. If it matches, authentication is completed successfully. A Negotiation Confirmation is returned with the appropriate DiagnosticCode set. If negotiation failed, the TCP connection shall then be aborted.

The length of the password determines how much effort it takes to forge the password if the random number has been disclosed in some way.

The implementation and use of this authentication procedure is mandatory.

16.2.2 Encryption

Encryption is an optional facility. In cases where confidentiality is required, the DA inquiries and replies may be encrypted. The RC4 encryption algorithm shall be used. The key to be used for encryption and decryption is generated by both the inquiring and replying system in the following way:

- 1) The password and random number used for the authentication procedure are concatenated, this time in reversed order (<password><random number>).
- 2) An MD5 digest is generated over the result of the concatenation. This 128-bit digest is used as the RC4 encryption key.

16.3 Negotiation result

If all stages of that negotiation phase occur correctly, the data transfer phase is established and DA transactions (inquiry/reply) can be transmitted (see clause 16.7). Otherwise, the TCP connection is aborted at the point where the negotiation fails. If the negotiation phase goes through all four stages, the reason for reset is provided in the *Diagnostic code* field of the Negotiation Confirmation (CR).

The Negotiation Confirmation Request has one specific field. This field is used by the replying system to return a two-character diagnostic code indicating the result of the negotiation.

The following codes have been defined:

- 00: negotiation accepted;
- 10: invalid authentication or unknown DA system (access not permitted);
- 20: protocol error or protocol version not supported;
- 30: lack of resources (too many connections established);
- 40: requested service not supported or not bilaterally agreed.

16.4 Data transfer phase

When the negotiation phase has been completed successfully, transactions may be interchanged between the inquiring and replying systems with appropriate headers.

16.5 Exception conditions

If a message is received that cannot be interpreted as either an ITU-T E.115 inquiry or reply, the connections shall be closed.

16.6 Format of FHP protocol elements

Negotiation Request:

Mnemonic	Protocol-Version	Message-Type	Length of variable part	Inquiring-Identifier	Requested-Service
----------	------------------	--------------	-------------------------	----------------------	-------------------

Negotiation Response:

Mnemonic	Protocol-Version	Message-Type	Length of variable part	Random-Number
----------	------------------	--------------	-------------------------	---------------

Negotiation Confirmation Request:

Mnemonic	Protocol-Version	Message-Type	Length of variable part	MD5-Digest
----------	------------------	--------------	-------------------------	------------

Negotiation Confirmation:

Mnemonic	Protocol-Version	Message-Type	Length of variable part	Diagnostic-Code
----------	------------------	--------------	-------------------------	-----------------

DA inquiry:

Mnemonic	Protocol-Version	Message-Type	Length of variable part	The inquiry formatted according to 10.2; non-encrypted or encrypted with RC4
----------	------------------	--------------	-------------------------	--

DA reply:

Mnemonic	Protocol-Version	Message-Type	Length of variable part	The reply formatted according to 10.3; non-encrypted or encrypted with RC4
----------	------------------	--------------	-------------------------	--

Figure 30 – Structure of FHP elements

Figure 30 illustrates the format of the different FHP message types shown in Figure 29. Clause 16.7 describes the fields common for all message types, while clause 16.8 describes the fields specific for certain message types.

16.7 Fields common for all message types

All message types have four elements in common:

16.7.1 Mnemonic

Mnemonic is a 4-character fixed-length element identifying a message to be the international inquiry service. It shall hold the characters EIDQ.

16.7.2 Version indication

The *Protocol Version* field is a 4-character fixed-length field that shall have the value 0100 indicating version 1.

16.7.3 Message type

MessageType is a 2-character fixed-length element identifying the type of message as defined in clause 16.1.

16.7.4 Length of variable part

Length of variable part identifies the length in octets of the directory message, encoded as an unsigned binary number within 2 octets, the left-most bit of the field being the most significant bit. For instance, 2612 will be encoded as hex '0A34'.

An implementation shall check the correctness of this length field by comparing it with the actual length of the inquiry or reply. If the length field does not match that length, the connection shall be aborted.

16.8 Specific fields

16.8.1 Identification of inquiring system

The Negotiation Request has an *InquiringIdentifier* field for the identification of the inquiring system. It is a fixed-length, 8-character field. The value shall be left aligned and padded with spaces, as required.

The *InquiringIdentifier* field is used by the replying system to associate a connection to the inquiring system, manage the service specification associated, the billing aspects, etc. The value of this element is bilaterally agreed between the inquiring and replying service providers.

As an option, a cross-check of this identifier against the calling TCP/IP address (when known) is sensible as an extra check that this identifier is consistent with the network address of the inquiring DA system (see clause 16.1).

If the *InquiringIdentifier* is invalid, the replying system shall close the connection.

16.8.2 Requested service

The *RequestedService* field of the Negotiation Request is an 8-character, fixed-length field, which indicates the level of service requested, both with respect to the extent of service and to the level of security.

The field is left aligned and padded with spaces as required.

The following codes have been defined:

PUBLIC	Electronic directory service
OPERATOR	Directory assistance service
SECUREP	Secure electronic directory service using encryption
SECUREO	Secure directory assistance service using encryption

If the inquiring system specifies either an unknown requested service, or the requested service is not supported by the replying system, the replying system shall close the connection.

16.8.3 Random number and MD5 Digest fields

The *RandomNumber* field of the Negotiation Response is a variable-length element field holding the random number as defined in clause 16.2.1 item 2).

The *MD5Digest* field of the Negotiation Confirmation Request is a variable-length field holding the MD5 digest as defined in clause 16.2.1 item 3).

16.8.4 Diagnostic code

The *DiagnosticCode* field of the Negotiation Confirmation holds the DiagnosticCode element as defined in clause 16.3.

16.9 Use of the service provided by TCP

The use of the service provided by TCP is expressed by reference to the conceptual calls, as defined in 3.8 of [IETF RFC 793].

NOTE – An application programming interface implementation may have a different structure.

16.9.1 TCP connection establishment (socket connection)

Only the inquiring system may initiate a TCP connection. Such a connection has to be established before the inquiring system can send inquiries. A connection is established by the inquiring system issuing an active OPEN call and by the replying system having an outstanding passive OPEN call (see clause 3.4 of [IETF RFC 793]).

When issuing an active OPEN, the inquiring system shall:

- a) specify the socket of the replying system as published by the replying system. It is recommended to use the port number 3611 for replying systems. However, for more flexibility and to avoid potential port assignment problems, the inquiring system shall be able to configure the port number of the replying system;
- b) set the active flag.

NOTE – Because many operating systems do not support fixed outgoing TCP ports, only dynamic allocation of port numbers is used.

An active OPEN will fail if the replying system has not issued a passive OPEN.

If duplicate equipment exists, the inquiring application may set up an active TCP connection to this equipment, even if it already has an active TCP connection to this DA system.

When issuing a passive OPEN, the replying system shall:

- a) specify the local port number to be used (3611 is recommended).

16.9.2 Data transfer

When an inquiring or replying system issues a SEND call to send an inquiry or reply, respectively:

- the PUSH flag shall be set to ensure immediate delivery; and
- the URGENT flag shall not be set.

If the number of octets received in a TCP stream is less than 12, the receiving system shall wait for the next stream of octets until 12 octets are received, and it is possible to determine the variable length.

16.9.3 TCP connection release

The connection can be released by either:

- closing the connection, which leads to terminating gracefully the message flow; or
- aborting the connection, which leads to deletion of the ongoing messages.

For performance reasons, connections should be maintained and should not be released after each transaction.

16.9.3.1 Orderly release

Either side may issue a CLOSE at any time.

An inquiring system should normally not issue a CLOSE when it has outstanding inquiries.

An inquiring system should have an inactivity time-out period of, say, 15 minutes, after which it may issue a CLOSE.

A replying system should issue a CLOSE on such a connection at regular intervals to allow the authentication procedure to be repeated.

NOTE – As an example, a replying system might issue a CLOSE on a connection after having processed 1000 transactions on that connection.

A replying system should also have a prolonged inactivity timer to protect against the failure of the inquiring system to close the connection after a period of inactivity. After the expiration of such an inactivity timer, the replying system should issue a CLOSE.

When an inquiring system receives a CLOSE indication when it has outstanding inquiries on the connection in question, it should take local action with respect to the missing replies, e.g., by opening a new connection and retransmitting the lost inquiries.

16.9.3.2 TCP abort

A system should only issue an ABORT whenever it detects a serious exception, such as an abnormally functioning communication partner or an unsuccessful authentication.

17 Use of the service provided by the HTTP

17.1 Introduction

[IETF RFC 2616] "Hypertext Transfer Protocol" (HTTP) is a standardized and a widely implemented protocol. The use of HTTP as the underlying service for the DA protocol eliminates the need to make any additional specification, as it is required for the direct use of TCP/IP (see clause 16).

[IETF RFC 2617], "HTTP Authentication: Basic and Digest Access Authentication", and [IETF RFC 4346], "The Transport Layer Security (TLS) Protocol", are also widely implemented specifications that, together with HTTP, fulfil all the security requirements of the DA protocol.

NOTE – The secure socket layer (SSL) is a proprietary specification that preceded TLS. SSL and TLS are very similar although not completely compatible. SSL is used by many implementations.

17.2 Support levels

There are several levels of support defined for the DA protocol:

- a) Use of HTTP alone, which does not provide any security feature. This might be sufficient in certain environments.
- b) Use of HTTP, together with the Basic Authentication Scheme defined in [IETF RFC 2617], which provides a simple user-id and password authentication with encryption of neither the credentials nor the message content. Only the inquiring system is authenticated, not the replying system.
- c) Use of HTTP, together with the Digest Access Authentication Scheme defined in [IETF RFC 2617], which provides an encrypted simple user-id and password authentication. Only the inquiring system is authenticated, not the replying system. There is no encryption of the message content.

- d) Use of HTTP on top of TLS together with the Basic Authentication Scheme defined in [IETF RFC 2617]. TLS provides secure authentication of the replying system (server) based on a server certificate and the public key algorithm. It provides encryption of all messages, which implicitly provides authentication and protection against tampering of the individual messages.
- e) Use of HTTP on top of TLS together with the Digest Access Authentication Scheme defined in [IETF RFC 2617]. This gives the ultimate security with secure authentication of both the replying and the inquiring system, and it provides encryption of all messages.

NOTE – An alternative to the above is to use TLS with client authentication in addition to the server authentication. This requires that all inquiring systems also have a valid certificate.

The support level is selected by using different uniform resource identifiers (URIs) for the different alternatives. The first part of the URI is the *scheme* followed by a colon. The alternatives in a), b) and c) have an URI starting with `http:`, while the alternatives in d) and e) have an URI starting with `https:`. The scheme and colon are followed by two slashes and *authority*, which is the identification of an Internet domain name, possibly followed by a colon and optionally a TCP port number.

The replying systems shall announce the URI used for the different alternatives.

As an example, a replying system might announce the following URIs for the different levels of protection:

- Use of simple HTTP without any protection: <http://simple.nardia-da.na>
- Use of HTTP with basic authentication scheme: <http://basic.nardia-da.na>
- Use of HTTP with digest access authentication scheme: <http://digest.nardia-da.na>
- Use of HTTP with TLS with server authentication: <https://basic.nardia-da.na>
- Use of HTTP with TLS with server authentication and digest access authentication scheme: <https://digest.nardia-da.na>

17.3 Use of the HTTP POST

The inquiring system shall use the HTTP POST method to transfer the inquiry XML to the replying system. The XML shall be transferred in the HTTP body. In order to clearly specify the format of the HTTP body the HTTP header "Content-type" shall be used with the value "text/xml; charset=utf-8".

The replying system shall return the XML response in the response HTTP body and shall also use the HTTP header "Content-type" with the value "text/xml; charset=utf-8".

17.4 Requested service and protocol version selection

Unlike the FHP support, there is no explicit request for a particular service. It is assumed that a replying system will adjust its service level based on the identity (or lack of same) of the accessing inquiring system.

The protocol version negotiation is not provided in FHP. The protocol version used is announced in the *query* part of the URI and shall have the format:

`version=<protocol-indication>`

where *protocol-indication* is a four-character field, where the two leftmost characters indicate the version and the two remaining characters hold the release indication.

If the version indication is not present, the highest defined version number is assumed.

Only the XML encoding shall be used in the HTTP communication. Currently only version 2 is defined and is therefore currently the only choice, i.e., the URI encoding shall be: `version=0200` or be absent.

17.5 Exception conditions

If a message is received that cannot be interpreted as an ITU-T E.115 inquiry or reply, an HTTP status code 400 (Bad Request) shall be returned.

If a replying system encountered an unexpected condition which prevented it from fulfilling the request, an HTTP status code 500 (Internal Server Error) shall be returned.

If the replying system receives an inquiry indicating a (version.release) not supported, an HTTP status code 501 (Not Implemented) shall be returned.

18 Operator's manual

Each service provider that implements this Recommendation shall supply a simple operator's manual for other service providers. This manual describes principally the main characteristics of its directory assistance system to indicate the best way to inquire for the remote operators.

Annex A

Directory assistance keywords of directory assistance protocol version 1

(This annex forms an integral part of this Recommendation)

A.1 Functional keywords table

Bilateral agreement is needed for all functional keywords.

Keyword	Authorized fields		Description	Syntax of the <data> field
	1	2		
Users generated				
#ADR	X	X	<p>The presence of the keyword "#ADR" indicates that a subscriber search by street address shall be performed under the following conditions:</p> <ul style="list-style-type: none"> • The geographical area shall be unambiguous; if not, a locality list is provided (general E115v1 rule); • The street name is mandatory; • All other search arguments shall be used as filter items. <p>If the combination of locality – street name specified in the query is not defined in the system, message code 64 shall be returned.</p> <p>Syntax <u>In the inquiry, (field 1):</u> To retrieve a list of subscribers recorded under a given street name. <u>In the reply, (field 2):</u> To indicate that this functionality has actually been effected.</p>	No data
#ALT	X	X	<p>The presence of the keyword "#ALT" activates alternative matching rules. If no keyword is used, the alternative matching rule shall not be activated.</p> <p>Note #ALT=0 is the value for phonetic search. #ALT=1 is the value for word rotation. #ALT=2 is the value for position-sensitive search. #ALT is kept as an alternative to #ALT=0.</p> <p>Syntax <u>In the inquiry, (field 1):</u> To search for subscribers with an alternative matching rule. <u>In the reply, (field 2):</u> To indicate that this functionality has actually been effected.</p>	<p>=<number>-defines type of alternative matching rule. Set to value zero or greater. Value zero is left to the discretion of the service provider to provide the best choice. The type of alternative matching rule should be defined by the service provider in the operator's manual. Default value is zero.</p>

Keyword	Authorized fields		Description	Syntax of the <data> field
	1	2		
#BUS	X	X	<p>List of business categories when the business category in the inquiry is ambiguous.</p> <p>The business category can be supplied with complete or truncated words in the inquiry.</p> <p>The language to be used for the business category will depend on bilateral agreement.</p> <p>If <u>both</u> the locality <u>and</u> the business category provided in the inquiry are ambiguous, a locality list is provided first. A list of business categories will be returned after a valid locality has been selected.</p> <p>When a list of business categories is provided, the reply message shall be formatted according to the following:</p> <p><u>1. Information to be returned</u></p> <ul style="list-style-type: none"> – Use of the <i>heading in the guide</i> field to return the information for business category. – Optional use of the <i>supplementary data</i> field to return potential additional information such as a more general business area description field to which the business category returned belongs (for information and display only). <p><u>2. Return code to be used</u></p> <p>The return code to be used is 76 "list of business categories".</p> <p>Note</p> <p>When a business category list is actually returned, it shall be done in such a way that the content of the <i>heading in the guide</i> field from the reply can be used in a subsequent inquiry without having to be modified by the inquiring system. To avoid ambiguity in provision of the list, the number sign character can be used according to ITU-T E.115 specifications.</p> <p>Data provided in the <i>supplementary data</i> field is informational only, and should not have to be sent in a subsequent inquiry together with the <i>heading in the guide</i> field retrieved from the list.</p>	No data

Keyword	Authorized fields		Description	Syntax of the <data> field
	1	2		
			<p>Syntax</p> <p><u>In the inquiry, (field 1)</u>: Should be provided to enable the return of a business category list.</p> <p><u>In the reply, (field 2)</u>: Shall be provided if this functionality has been activated by the service provider.</p> <p>If the keyword is transmitted by the requestor, the service provider may return:</p> <ul style="list-style-type: none"> – a list of subscribers if the provided business category is not ambiguous; – a list of business categories if the provided category is ambiguous; – an error code if no match can be found with the provided category. <p>If the keyword is <i>not</i> transmitted in the inquiry, the service provider <i>never</i> returns a list of business categories (same behaviour as if no agreement has been reached).</p>	
#GEO	X	X	<p>Search for subscriber by geographical expansion.</p> <p>Syntax</p> <p><u>In the inquiry, (field 1)</u>: To expand the subscriber search to neighbouring areas.</p> <p><u>In the reply, (field 2)</u>: To indicate that this functionality has actually been effected.</p>	<p>=<number></p> <p>Set to value zero or greater which specifies the degree of expansion as determined by the service provider (the actual mapping should be described in the operator's manual). Default value is zero.</p> <p>Example (purely fictional):</p> <p>#GEO=0 search for subscribers expanded to include direct neighbouring localities.</p> <p>#GEO=1 search for subscribers expanded to the county associated to the entered locality.</p>

Keyword	Authorized fields		Description	Syntax of the <data> field
	1	2		
#MAI	X	X	<p>The presence of the keyword "#MAI" indicates a search for level zero entries only in databases having grouped listings. The top line of a grouped listing has the level equal to 0 (zero).</p> <p>Syntax</p> <p><u>In the inquiry, (field 1):</u> To search for subscribers where only the top line (level zero) of a grouped listing is returned.</p> <p><u>In the reply, (field 2):</u> To indicate that this functionality has actually been effected.</p>	No data
#NAT	X	X	<p>The presence of the keyword "#NAT" concerns the introduction of characters that are not part of the basic ITU-T E.115 character set, but are used in some countries.</p> <p>Note</p> <p>#NAT=ab where a is the character set for the inquiry and b the character set required in the reply, a and b could be equal to 0 or 1, 0 is the value for basic (minimum) character set and 1 is the value for ISO Latin1 [ISO 8859-1] extended character set.</p> <p>When providing a list different from the subscriber list, the character set used should be the one defined in the inquiry by the "a" value.</p> <p>Syntax</p> <p><u>In the inquiry, (field 1):</u> To specify the character set of the inquiry "a" and the character set required in the reply "b".</p> <p><u>In the reply, (field 2):</u> To specify the character set of the inquiry "a" and the character set required in the reply "b".</p>	<p>ab</p> <p>a =</p> <p>0: basic ITU-T E.115 character set</p> <p>1: ISO 8859-1 character set</p> <p>b =</p> <p>0: basic ITU-T E.115 character set</p> <p>1: ISO 8859-1 character set</p> <p>Default value is #NAT=00</p>

Keyword	Authorized fields		Description	Syntax of the <data> field
	1	2		
#NEI	X	X	<p>The presence of the keyword "#NEI" indicates a search for neighbouring localities.</p> <p>Syntax</p> <p><u>In the inquiry, (field 1):</u> To search for localities included in the geographical area defined by the data field.</p> <p><u>In the reply, (field 2):</u> To indicate that this functionality has actually been applied.</p>	<p>=<number></p> <p>Set to value zero or greater which specifies the geographical area on which the search shall be performed (the actual mapping is determined by the service provider and should be described in the operator's manual). Default value is zero.</p> <p>Example (purely fictional):</p> <p>#NEI=0 search for localities expanded to include direct neighbouring localities.</p> <p>#NEI=1 search for localities expanded to include all those within the associated county.</p>
#PRO	X	X	<p>The presence of the keyword "#PRO" indicates a search for subscribers by profession.</p> <p>Syntax</p> <p><u>In the inquiry, (field 1):</u> To retrieve a list of subscribers recorded under a given profession.</p> <p><u>In the reply, (field 2):</u> To indicate that this functionality has actually been applied.</p>	No data
#PRX	X	X	<p>Proximity search. Proximity searches are introduced within ITU-T E.115 in order to enable directory assistance operators to search for subscribers (business listings) next to an end-user defined position in order to retrieve listings ordered by either increasing distance or including geo-coordinates.</p> <p>Syntax</p> <p><u>In the inquiry, (field 1):</u> Should be provided to enable the functionality in case of indication of a radius.</p> <p><u>In the reply, (field 2):</u> Shall be provided if this functionality has been activated by the service provider.</p>	<p>=<number></p> <p>Set to "no-value" or "number" which specifies the search distance (radius) as determined by the service provider (the actual mapping should be described in the operator's manual).</p> <p>=<number></p> <p>corresponds to the distance between the centre of the search and the corresponding listing in reply.</p>

Keyword	Authorized fields		Description	Syntax of the <data> field
	1	2		
#REV	X	X	<p>Reverse search. In a reversed search, the number is the search argument. It shall be placed in the "subscriber name" Field.</p> <p>Note In combination with the keyword "PRX", this keyword defines the end-user position by provision of a phone number. In this case, #REV=<number> can be used.</p> <p>Syntax <u>In the inquiry, (field 1):</u> To specify a reverse search. <u>In the reply, (field 2):</u> To indicate that this functionality has actually been effected.</p>	<p>No data or, for proximity search: =<number> contains the telephone number that is used as the centre point of the proximity search.</p>
#POS	X	X	<p>Asking and/or transmitting location (X, Y coordinates) of the source/origin point of the search.</p> <p>Syntax <u>In the inquiry, (field 1):</u> Coordinates of the source/origin point for a proximity search. <u>In the reply, (field 2):</u> Will be used if the functionality has been activated.</p>	<p>empty or =<x_coordinate>, <y_coordinate></p> <p>Might be completed with positioning data.</p>
#DES		X	<p>Providing location (through X, Y coordinates) of the retrieved subscribers.</p> <p>Syntax <u>In the reply, (field 2):</u> Shall be provided with the X, Y coordinates of the retrieved subscriber defined position.</p>	<p>=<coordinates_string> =<string2> where coordinates_string represents each retrieved listing's localization.</p>
#MLS	X	X	<p>Multi-locality search (MLS). If the MLS is implemented in the database, the search for a name and address will be taken in all the localities that achieve all the assumptions the operator has written in the locality field.</p> <p>Syntax <u>In the inquiry, (field 1):</u> To search only for subscribers where listings are in a locality with the requested locality name. <u>In the reply, (field 2):</u> To indicate that this functionality has actually been effected.</p> <p>If no keyword is used, the type(s) of communications address provided is left to the discretion of the service provider and should be described in the operator's manual.</p>	<p>No data</p>

Keyword	Authorized fields		Description	Syntax of the <data> field
	1	2		
#MSS	X	X	<p>This keyword allows on a search basis to turn off the list of street address functionality and to search on the whole list of street addresses retrieved by the search. Thus, it only has an effect if the list of street address functionality has been bilaterally agreed.</p> <p>If the multi-street search (MSS) is implemented in the database, the search will be performed in all street addresses which achieve all the assumptions the operator has written in the street name field.</p> <p>To activate the MSS, the keyword "#MSS" shall be placed in the AISS field after receiving a list of street addresses.</p> <p>If the service provider has the restriction in the number of street addresses, the system will return an error code "64" which means "too many street names found".</p> <p>If there are too many listings in the reply, message code 93 shall be returned.</p> <p>Syntax <u>In the inquiry, (field 1):</u> Should be provided to enable the return of a search on the whole list. <u>In the reply, (field 2):</u> Shall be provided if this functionality has been activated by the service provider.</p>	No data
#EML		X	<p>This keyword allows provision of the e-mail address (and/or URL) within the listing.</p> <p>Note The implementation of this keyword implies that the character set is extended (to support the "@" character for instance) as well as the field length (to adapt to e-mail and URL addresses lengths). When using the limited character set, the notation within [b-IETF RFC 2156] shall be used – "@" represented as "(a)".</p> <p>Syntax <u>In the reply, (field 2):</u> To return the e-mail address of the corresponding subscriber.</p>	=<string> The <string> contains the email address of the corresponding subscriber.
#URL		X	<p>This keyword allows provision of the URL (and/or e-mail) within the listing.</p> <p>Syntax <u>In the reply, (field 2):</u> To return the URL of the corresponding subscriber.</p>	=<string> The <string> contains the URL of the corresponding subscriber.

Keyword	Authorized fields		Description	Syntax of the <data> field
	1	2		
#FAX #GSM #FTN #TEL #ISD #PBX #TXT	X	X	<p>These keywords offer the end user (operator or public) the possibility to search for subscribers within a selection of listings regarding a specific type of communications address.</p> <p>They shall be used in accordance with the following syntax and be used only in an "AND" relationship:</p> <p>Syntax</p> <p><u>In the inquiry, (field 1):</u> To search for subscribers where only listings with the type of communications address corresponding to the keyword(s) specified are returned: #FAX (search for Fax) #GSM (search for mobile telephone numbers) #FTN (search for tax-free numbers) #TEL (search for telephone numbers) #ISD (search for ISDNs) #PBX (search for switch board numbers) #TXT (search for text-telephone numbers)</p> <p>e.g.,: #FAX means that only fax numbers shall be provided. #FAX and #FTN mean that tax-free fax numbers shall be provided.</p> <p><u>In the reply, (field 2):</u> To indicate that this functionality has actually been effected.</p> <p>If no keyword is used, the type(s) of communications address provided is left to the discretion of the service provider and should be described in the operator's manual.</p>	No data
System generated				
#LEV		X	<p>The keyword "#LEV" shall be used in accordance with the following definition:</p> <p>Each line from grouped entries is considered as a single listing. To identify its position within the group, a level identifier is created. The top line has the level equal to zero. The level identifier is incremented for each new sub-grouping.</p> <p>Note</p> <p>This keyword is optional, if not used, the level of listing is equal to zero.</p> <p>Syntax</p> <p><u>In the reply, (field 2):</u> To specify the level of a listing within a grouped entry (caption set).</p>	=<number> Level identifier: number identifying the level of listing within grouped entries. The top level is equal to zero.

Keyword	Authorized fields		Description	Syntax of the <data> field
	1	2		
#CCO		X	<p>The keyword "#CCO" allows that a single reply contains subscribers belonging to different countries.</p> <p>Note This keyword is optional, if not used, the "country code" field of part 2 is valid.</p> <p>Syntax <u>In the reply, (field 2):</u> To return the telephone country code of the corresponding subscriber. This country code overrides the code returned in the "country code" field of part 2.</p>	<p>=<string></p> <p>The <string> contains the country code of the corresponding subscriber in accordance with [ITU-T E.164] e.g., 357 means in relationship with France: Override the country code 33 in part 2 with 357 (Monaco).</p>
NOTE 1 – field1 = "additional information for a selective search" field (inquiry).				
NOTE 2 – field2 = "additional information for a selective search" field (reply).				

A.2 Descriptive keywords table

Keyword	Reply: Supplementary data	Type of communications address
EML	X	E-mail address
FAX	X	Fax number
FTN	X	Tax-free number
GSM	X	Mobile telephone number
ISD	X	ISDN number
NPN	X	Personal country-wide number
OLD	X	Old telephone number
PAG	X	Pager number
PBX	X	Switchboard number
PRN	X	Premium rate number
PUB	X	Public phone-box number
TXT	X	Text-telephone number
UPN	X	Personal worldwide number
URL	X	Internet address
VID	X	Video-telephone number

In the reply, the descriptive keyword shall only be returned if the information is available in the accessed database.

Annex B

Directory assistance protocol version 1 in ASN.1

(This annex forms an integral part of this Recommendation)

```
E115v1 {itu-t recommendation(0) e(5) 115 1}
DEFINITIONS ::=
BEGIN

E115String ::= IA5String

E115StringUb256 ::= E115String (SIZE(1..256))

DirectoryMessage ::= CHOICE {
    telephone [0] Telephone }

Telephone ::= CHOICE {
    inquiry [0] Inquiry,
    reply [1] Reply }

Inquiry ::= SEQUENCE {
    inquiryPart1 InquiryPart1,
    inquiryPart2 InquiryPart2 }

InquiryPart1 ::= [ APPLICATION 0 ] IMPLICIT SET {
    messageIndicators [0] IMPLICIT E115String (SIZE(4)),
    internationalIndicator [1] IMPLICIT NumericString (SIZE(8)) ,
    originatingTerminalCode [2] IMPLICIT E115String (SIZE(8)),
    dateAndTime [3] IMPLICIT NumericString (SIZE(12)) OPTIONAL,
    messageNumber [4] IMPLICIT E115String (SIZE(4)) OPTIONAL }

InquiryPart2 ::= [ APPLICATION 1 ] IMPLICIT SET {
    locality [0] IMPLICIT E115StringUb256 OPTIONAL,
    subscriberName [1] IMPLICIT E115StringUb256 OPTIONAL,
    streetName [2] IMPLICIT E115StringUb256 OPTIONAL,
    houseNumber [3] IMPLICIT E115StringUb256 OPTIONAL,
    forename [4] IMPLICIT E115StringUb256 OPTIONAL,
    headingInTheGuide [5] IMPLICIT E115StringUb256 OPTIONAL,
    professionCode [6] IMPLICIT E115StringUb256 OPTIONAL,
    additionalInformationForASelectiveSearch [7] IMPLICIT E115StringUb256 OPTIONAL,
    countyStateOrProvince [8] IMPLICIT E115StringUb256 OPTIONAL,
    category [9] IMPLICIT E115StringUb256 OPTIONAL,
    sequenceNumber [10] IMPLICIT NumericString (SIZE(1)) OPTIONAL }

Reply ::= SEQUENCE {
    replyPart1 ReplyPart1,
    replyPart2 ReplyPart2,
    replyPart3 ReplyPart3 OPTIONAL }

ReplyPart1 ::= [ APPLICATION 3 ] IMPLICIT SET {
    messageIndicators [0] IMPLICIT E115String (SIZE(4)),
    internationalIndicators [1] IMPLICIT NumericString (SIZE(8)),
    originatingTerminalCode [2] IMPLICIT E115String (SIZE(8)),
    dateAndTime [3] IMPLICIT NumericString (SIZE(12)) OPTIONAL,
    messageNumber [4] IMPLICIT E115String (SIZE(4)) OPTIONAL }

ReplyPart2 ::= [ APPLICATION 4 ] IMPLICIT SET {
    messageCode [0] IMPLICIT E115String (SIZE(2)),
    countryCode [1] IMPLICIT E115String (SIZE(4)),
    message [2] IMPLICIT E115StringUb256 OPTIONAL,
    dbSelectionCount [3] IMPLICIT E115String (SIZE(1..10)) OPTIONAL }

ReplyPart3 ::= [ APPLICATION 5 ] IMPLICIT SET OF Selection

Selection ::= SET {
    nationalDestinationCode [0] IMPLICIT E115StringUb256 OPTIONAL,
    subscriberNumber [1] IMPLICIT E115StringUb256 OPTIONAL,
```

```

locality [2] IMPLICIT E115StringUb256 OPTIONAL,
subscriberName [3] IMPLICIT E115StringUb256 OPTIONAL,
forename [4] IMPLICIT E115StringUb256 OPTIONAL,
streetName [5] IMPLICIT E115StringUb256 OPTIONAL,
houseNumber [6] IMPLICIT E115StringUb256 OPTIONAL,
supplementaryData [7] IMPLICIT E115StringUb256 OPTIONAL,
subscriberMessage [8] IMPLICIT E115StringUb256 OPTIONAL,
headingInTheGuide [9] IMPLICIT E115StringUb256 OPTIONAL,
professionCode [10] IMPLICIT E115StringUb256 OPTIONAL,
additionalInformationForASelectiveSearch
countyStateOrProvince [11] IMPLICIT E115StringUb256 OPTIONAL,
category [12] IMPLICIT E115StringUb256 OPTIONAL,
subscriberDescription [13] IMPLICIT E115StringUb256 OPTIONAL,
subscriberDescription [14] IMPLICIT E115StringUb256 OPTIONAL }

```

END

Annex C

Directory assistance protocol version 2.00 in ASN.1

(This annex forms an integral part of this Recommendation)

This annex provides the ASN.1 specification for version 2.00 of the protocol. This version of the protocol is not backward compatible with the version 1 protocol, but is a somewhat different protocol. When the ASN.1 EXTENDED-XER encoding rules are used, the XML encoding produced is identical to an XML encoding based on the XSD specified in Annex D.

```
E115v2 {itu-t recommendation(0) e(5) da(115) version2(2) release(0)} DEFINITIONS XER
INSTRUCTIONS ::=
BEGIN
```

```
E115String ::= UTF8String (FROM ({0, 0, 0, 32}..{0, 0, 255, 253}))
```

```
E115StringUb256 ::= E115String (SIZE(1..256))
```

```
E115NumericString ::= [NAME AS "NumericString"]
    UTF8String (FROM ( {0, 0, 0, 48}..{0, 0, 0, 57} ))
```

```
SimpleAttribute ::= BOOLEAN (TRUE)
```

```
CharacterSubSet ::= ENUMERATED {
    basic          (0),
    latin1         (1),
    latin-extended-A (2),
    cyrillic       (3),
    greek          (4),
    arabic        (5) }
```

```
Geographical ::= ENUMERATED {
    dms  (0),
    dd   (1),
    dec  (2) }
```

```
CoordinateTypeDescription ::= SEQUENCE {
    geodeticDatum      [ATTRIBUTE] [TAG: 0]  IMPLICIT E115StringUb256,
    geographical       [ATTRIBUTE] [TAG: 1]  IMPLICIT Geographical }
```

```
Coordinate ::= SEQUENCE {
    latitude           [TAG: 0] IMPLICIT E115StringUb256,
    longitude          [TAG: 1] IMPLICIT E115StringUb256 }
```

```
CommAddressService ::= SEQUENCE {
    fax                [ATTRIBUTE] [TAG: 0]  IMPLICIT SimpleAttribute OPTIONAL,
    pbx                [ATTRIBUTE] [TAG: 1]  IMPLICIT SimpleAttribute OPTIONAL,
    txt                [ATTRIBUTE] [TAG: 2]  IMPLICIT SimpleAttribute OPTIONAL,
    pub               [ATTRIBUTE] [TAG: 3]  IMPLICIT SimpleAttribute OPTIONAL,
    vid               [ATTRIBUTE] [TAG: 4]  IMPLICIT SimpleAttribute OPTIONAL,
    pag               [ATTRIBUTE] [TAG: 5]  IMPLICIT SimpleAttribute OPTIONAL,
    voice             [ATTRIBUTE] [TAG: 6]  IMPLICIT SimpleAttribute OPTIONAL,
    data              [ATTRIBUTE] [TAG: 7]  IMPLICIT SimpleAttribute OPTIONAL,
    http              [ATTRIBUTE] [TAG: 8]  IMPLICIT SimpleAttribute OPTIONAL,
    ftp               [ATTRIBUTE] [TAG: 9]  IMPLICIT SimpleAttribute OPTIONAL,
    eml               [ATTRIBUTE] [TAG: 10] IMPLICIT SimpleAttribute OPTIONAL,
    sms               [ATTRIBUTE] [TAG: 11] IMPLICIT SimpleAttribute OPTIONAL,
    mms               [ATTRIBUTE] [TAG: 12] IMPLICIT SimpleAttribute OPTIONAL,
    emg               [ATTRIBUTE] [TAG: 13] IMPLICIT SimpleAttribute OPTIONAL }
```

```
InquiryCommAddressChar ::= SEQUENCE {
    ftn                [ATTRIBUTE] [TAG: 0]  IMPLICIT SimpleAttribute OPTIONAL,
    mob                [ATTRIBUTE] [TAG: 1]  IMPLICIT SimpleAttribute OPTIONAL,
    fixed              [ATTRIBUTE] [TAG: 2]  IMPLICIT SimpleAttribute OPTIONAL }
```

```
ReplyCommAddressChar ::= SEQUENCE {
```



```

ftn                [ATTRIBUTE] [TAG: 0]  IMPLICIT SimpleAttribute OPTIONAL,
mob                [ATTRIBUTE] [TAG: 1]  IMPLICIT SimpleAttribute OPTIONAL,
fixed              [ATTRIBUTE] [TAG: 2]  IMPLICIT SimpleAttribute OPTIONAL,
prn                [ATTRIBUTE] [TAG: 3]  IMPLICIT SimpleAttribute OPTIONAL,
nprn               [ATTRIBUTE] [TAG: 4]  IMPLICIT SimpleAttribute OPTIONAL,
upn                [ATTRIBUTE] [TAG: 5]  IMPLICIT SimpleAttribute OPTIONAL,
old                [ATTRIBUTE] [TAG: 6]  IMPLICIT SimpleAttribute OPTIONAL,
adv                [ATTRIBUTE] [TAG: 7]  IMPLICIT SimpleAttribute OPTIONAL,
nmk                [ATTRIBUTE] [TAG: 8]  IMPLICIT SimpleAttribute OPTIONAL }

Category ::= SEQUENCE {
  business          [ATTRIBUTE] [TAG: 0]  IMPLICIT SimpleAttribute OPTIONAL,
  residential       [ATTRIBUTE] [TAG: 1]  IMPLICIT SimpleAttribute OPTIONAL,
  government        [ATTRIBUTE] [TAG: 2]  IMPLICIT SimpleAttribute OPTIONAL }

E115Message ::= CHOICE {
  directoryMessage [TAG: 0] DirectoryMessage }

DirectoryMessage ::= CHOICE {
  inquiry [TAG: 0] Inquiry,
  reply   [TAG: 1] Reply }

Inquiry ::= SEQUENCE {
  inquiryHeader InquiryHeader,
  inquiryData   InquiryData }

InquiryHeader ::= [ TAG: APPLICATION 0 ] IMPLICIT SET {
  originatingTerminalCode [ATTRIBUTE] [TAG: 0]  IMPLICIT E115String (SIZE(8)),
  dateAndTime              [ATTRIBUTE] [TAG: 1]  IMPLICIT E115NumericString (SIZE(12))
    OPTIONAL,
  messageNumber           [ATTRIBUTE] [TAG: 2]  IMPLICIT E115String (SIZE(4)) OPTIONAL,
  countryName             [ATTRIBUTE] [TAG: 3]  IMPLICIT E115String (SIZE(2)),
  providerCode            [ATTRIBUTE] [TAG: 4]  IMPLICIT E115StringUb256 OPTIONAL,
  inquiryCharacterSubset [ATTRIBUTE] [TAG: 5]  IMPLICIT CharacterSubSet DEFAULT basic,
  replyCharacterSubset    [ATTRIBUTE] [TAG: 6]  IMPLICIT CharacterSubSet DEFAULT latin1,
  requestedReplyType      [ATTRIBUTE] [TAG: 7]  IMPLICIT ENUMERATED {
    subscriberList      (0),
    provinceList        (1),
    localityList        (2),
    streetList          (3),
    businessCategoryList (4) } DEFAULT subscriberList,
  acceptedReplyTypes     [TAG: 8] IMPLICIT SEQUENCE {
    provinceList        [ATTRIBUTE] [TAG: 0]  IMPLICIT SimpleAttribute OPTIONAL,
    localityList        [ATTRIBUTE] [TAG: 1]  IMPLICIT SimpleAttribute OPTIONAL,
    streetList          [ATTRIBUTE] [TAG: 2]  IMPLICIT SimpleAttribute OPTIONAL,
    businessCategoryList [ATTRIBUTE] [TAG: 3]  IMPLICIT SimpleAttribute OPTIONAL },
  inquiryCoordinateType  [TAG: 9] IMPLICIT SEQUENCE {
    COMPONENTS OF CoordinateTypeDescription } OPTIONAL,
  replyCoordinateType    [TAG: 10] IMPLICIT SEQUENCE {
    COMPONENTS OF CoordinateTypeDescription } OPTIONAL }

InquiryData ::= [ TAG: APPLICATION 1 ] IMPLICIT SET {
  locality           [TAG: 0]  IMPLICIT E115StringUb256 OPTIONAL,
  subscriberName     [TAG: 1]  IMPLICIT E115StringUb256 OPTIONAL,
  streetName         [TAG: 2]  IMPLICIT E115StringUb256 OPTIONAL,
  houseNumber        [TAG: 3]  IMPLICIT E115StringUb256 OPTIONAL,
  forename           [TAG: 4]  IMPLICIT E115StringUb256 OPTIONAL,
  headingInTheGuide [TAG: 5]  IMPLICIT E115StringUb256 OPTIONAL,
  professionCode     [TAG: 6]  IMPLICIT E115StringUb256 OPTIONAL,
  countyStateOrProvince [TAG: 7] IMPLICIT E115StringUb256 OPTIONAL,
  category           [TAG: 8] IMPLICIT SEQUENCE {
    COMPONENTS OF Category } OPTIONAL,
  sequenceNumber     [ATTRIBUTE] [TAG: 9] IMPLICIT
    E115NumericString (SIZE(1..2)) DEFAULT "0",
  postalCode         [TAG: 10] IMPLICIT E115StringUb256 OPTIONAL,
  nationalDestinationCode [TAG: 11] IMPLICIT E115NumericString (SIZE(1..14)) OPTIONAL,
  commAddress        [TAG: 12] IMPLICIT E115StringUb256 OPTIONAL,
  commAddressTypes   [TAG: 13] IMPLICIT SEQUENCE {
    e164              [ATTRIBUTE] [TAG: 0]  IMPLICIT SimpleAttribute OPTIONAL,
    rfc822            [ATTRIBUTE] [TAG: 1]  IMPLICIT SimpleAttribute OPTIONAL,
    rfc1738           [ATTRIBUTE] [TAG: 2]  IMPLICIT SimpleAttribute OPTIONAL }
}

```

```

OPTIONAL,
additionalName      [TAG: 14] IMPLICIT E115StringUb256 OPTIONAL,
commAddressService [TAG: 15] IMPLICIT SEQUENCE {
    COMPONENTS OF CommAddressService } OPTIONAL,
commAddressChar    [TAG: 16] IMPLICIT SEQUENCE {
    COMPONENTS OF InquiryCommAddressChar } OPTIONAL,
geoExpansion       [ATTRIBUTE][TAG: 17] IMPLICIT
    E115NumericString (SIZE(1..3)) OPTIONAL,
searchCoordinate   [TAG: 18] IMPLICIT SEQUENCE {
    COMPONENTS OF Coordinate } OPTIONAL,
searchRadius       [TAG: 19] IMPLICIT NumericString (SIZE(1..9)) OPTIONAL,
matchingRule       [TAG: 20] IMPLICIT SEQUENCE {
    wordRotation    [ATTRIBUTE][TAG: 0] IMPLICIT BOOLEAN OPTIONAL,
    phonetic        [ATTRIBUTE][TAG: 1] IMPLICIT BOOLEAN OPTIONAL,
    alias           [ATTRIBUTE][TAG: 2] IMPLICIT BOOLEAN OPTIONAL } OPTIONAL,
maxSelectionLevel  [ATTRIBUTE][TAG: 21] IMPLICIT
    E115NumericString (SIZE(1..3)) DEFAULT "99" }

Reply ::= SEQUENCE {
    replyHeader ReplyHeader,
    selections SEQUENCE (SIZE(1..MAX)) OF Selection OPTIONAL }

ReplyHeader ::= [TAG: APPLICATION 3] IMPLICIT SET {
    originatingTerminalCode [ATTRIBUTE][TAG: 0] IMPLICIT E115String (SIZE(8)),
    dateAndTime              [ATTRIBUTE][TAG: 1] IMPLICIT E115NumericString (SIZE(12))
        OPTIONAL,
    messageNumber            [ATTRIBUTE][TAG: 2] IMPLICIT E115String (SIZE(4)) OPTIONAL,
    messageCode              [ATTRIBUTE][TAG: 3] IMPLICIT E115String (SIZE(2)),
    message                  [TAG: 4] IMPLICIT E115StringUb256 OPTIONAL,
    dbSelectionCount         [ATTRIBUTE][TAG: 5] IMPLICIT E115String (SIZE(1..10))
        OPTIONAL,
    replyCoordinateType      [TAG: 6] IMPLICIT SEQUENCE {
        COMPONENTS OF CoordinateTypeDescription } OPTIONAL,
    searchCenter             [TAG: 7] IMPLICIT SEQUENCE {
        COMPONENTS OF Coordinate } OPTIONAL }

Selection ::= SET {
    nationalDestinationCode [TAG: 0] IMPLICIT E115NumericString (SIZE(1..14)) OPTIONAL,
    commAddress              [TAG: 1] IMPLICIT E115StringUb256 OPTIONAL,
    locality                 [TAG: 2] IMPLICIT E115StringUb256 OPTIONAL,
    subscriberName          [TAG: 3] IMPLICIT E115StringUb256 OPTIONAL,
    forename                 [TAG: 4] IMPLICIT E115StringUb256 OPTIONAL,
    streetName              [TAG: 5] IMPLICIT E115StringUb256 OPTIONAL,
    houseNumber             [TAG: 6] IMPLICIT E115StringUb256 OPTIONAL,
    supplementaryData        [TAG: 7] IMPLICIT E115StringUb256 OPTIONAL,
    subscriberMessage        [TAG: 8] IMPLICIT E115StringUb256 OPTIONAL,
    headingInTheGuide       [TAG: 9] IMPLICIT E115StringUb256 OPTIONAL,
    professionCode          [TAG: 10] IMPLICIT E115StringUb256 OPTIONAL,
    countyStateOrProvince   [TAG: 11] IMPLICIT E115StringUb256 OPTIONAL,
    subscriberDescription    [TAG: 12] IMPLICIT E115StringUb256 OPTIONAL,
    category                [TAG: 13] IMPLICIT SEQUENCE {
        COMPONENTS OF Category } OPTIONAL,
    countryCode             [TAG: 14] IMPLICIT E115NumericString (SIZE(1..3)),
    postalCode              [TAG: 15] IMPLICIT E115StringUb256 OPTIONAL,
    commAddressType         [ATTRIBUTE][TAG: 16] IMPLICIT ENUMERATED {
        e164 (0),
        rfc822 (1),
        rfc1738 (2) } OPTIONAL,
    commAddressService      [TAG: 17] IMPLICIT SEQUENCE {
        COMPONENTS OF CommAddressService } OPTIONAL,
    commAddressChar         [TAG: 18] IMPLICIT SEQUENCE {
        COMPONENTS OF ReplyCommAddressChar } OPTIONAL,
    distance                [TAG: 19] IMPLICIT E115StringUb256 OPTIONAL,
    additionalName          [TAG: 20] IMPLICIT E115StringUb256 OPTIONAL,
    selectionCoordinate     [TAG: 21] IMPLICIT SEQUENCE {
        COMPONENTS OF Coordinate },
    selectionLevel          [ATTRIBUTE][TAG: 22] IMPLICIT
        E115NumericString (SIZE(1..3)) DEFAULT "0" }

```

```
ENCODING-CONTROL XER
GLOBAL-DEFAULTS MODIFIED-ENCODINGS
TEXT CharacterSubSet:ALL, Geographical:ALL,
    InquiryHeader.requestedReplyType:ALL, Selection.commAddressType:ALL
END
```

Annex D

Directory assistance protocol version 2.00 in XSD

(This annex forms an integral part of this Recommendation)

```
<?xml version="1.0" encoding="UTF-8"?>
<!-- Version 2.00 -->
<xsd:schema xmlns:xsd="http://www.w3.org/2001/XMLSchema">
  <xsd:simpleType name="E115String">
    <xsd:restriction base="xsd:string">
      <xsd:pattern value="[\&#x20;-&#xFFFD;]*"/>
    </xsd:restriction>
  </xsd:simpleType>
  <xsd:simpleType name="E115StringUb256">
    <xsd:restriction base="E115String">
      <xsd:minLength value="1"/>
      <xsd:maxLength value="256"/>
    </xsd:restriction>
  </xsd:simpleType>
  <xsd:simpleType name="NumericString">
    <xsd:restriction base="xsd:string">
      <xsd:pattern value="[0-9]*"/>
    </xsd:restriction>
  </xsd:simpleType>
  <xsd:simpleType name="SimpleAttribute">
    <xsd:restriction base="xsd:boolean">
      <xsd:pattern value="true"/>
    </xsd:restriction>
  </xsd:simpleType>
  <xsd:simpleType name="CharacterSubSet">
    <xsd:restriction base="xsd:NCName">
      <xsd:enumeration value="basic"/>
      <xsd:enumeration value="latin1"/>
      <xsd:enumeration value="latin-ext"/>
      <xsd:enumeration value="cyrillic"/>
      <xsd:enumeration value="greek"/>
      <xsd:enumeration value="arabic"/>
    </xsd:restriction>
  </xsd:simpleType>
  <xsd:simpleType name="Geographical">
    <xsd:restriction base="xsd:NCName">
      <xsd:enumeration value="dms"/>
      <xsd:enumeration value="dd"/>
      <xsd:enumeration value="dec"/>
    </xsd:restriction>
  </xsd:simpleType>
  <xsd:attributeGroup name="CoordinateTypeDescription">
    <xsd:attribute name="geodeticDatum" type="E115StringUb256" use="required"/>
    <xsd:attribute name="geographical" type="Geographical" use="required"/>
  </xsd:attributeGroup>
  <xsd:attributeGroup name="Coordinate">
    <xsd:attribute name="latitude" type="E115StringUb256" use="required"/>
    <xsd:attribute name="longitude" type="E115StringUb256" use="required"/>
  </xsd:attributeGroup>
  <xsd:attributeGroup name="CommAddressService">
    <xsd:attribute name="fax" type="SimpleAttribute" use="optional"/>
    <xsd:attribute name="pbx" type="SimpleAttribute" use="optional"/>
    <xsd:attribute name="txt" type="SimpleAttribute" use="optional"/>
    <xsd:attribute name="pub" type="SimpleAttribute" use="optional"/>
    <xsd:attribute name="vid" type="SimpleAttribute" use="optional"/>
    <xsd:attribute name="pag" type="SimpleAttribute" use="optional"/>
    <xsd:attribute name="voice" type="SimpleAttribute" use="optional"/>
    <xsd:attribute name="data" type="SimpleAttribute" use="optional"/>
    <xsd:attribute name="http" type="SimpleAttribute" use="optional"/>
    <xsd:attribute name="ftp" type="SimpleAttribute" use="optional"/>
    <xsd:attribute name="eml" type="SimpleAttribute" use="optional"/>
    <xsd:attribute name="sms" type="SimpleAttribute" use="optional"/>
    <xsd:attribute name="mms" type="SimpleAttribute" use="optional"/>
  </xsd:attributeGroup>
</xsd:schema>
```

```

    <xsd:attribute name="emg" type="SimpleAttribute" use="optional"/>
</xsd:attributeGroup>
<xsd:attributeGroup name="InquiryCommAddressChar">
    <xsd:attribute name="ftn" type="SimpleAttribute" use="optional"/>
    <xsd:attribute name="mob" type="SimpleAttribute" use="optional"/>
    <xsd:attribute name="fixed" type="SimpleAttribute" use="optional"/>
</xsd:attributeGroup>
<xsd:attributeGroup name="ReplyCommAddressChar">
    <xsd:attributeGroup ref="InquiryCommAddressChar"/>
    <xsd:attribute name="prn" type="SimpleAttribute" use="optional"/>
    <xsd:attribute name="nprn" type="SimpleAttribute" use="optional"/>
    <xsd:attribute name="upn" type="SimpleAttribute" use="optional"/>
    <xsd:attribute name="old" type="SimpleAttribute" use="optional"/>
    <xsd:attribute name="adv" type="SimpleAttribute" use="optional"/>
    <xsd:attribute name="nmk" type="SimpleAttribute" use="optional"/>
</xsd:attributeGroup>
<xsd:attributeGroup name="Categories">
    <xsd:attribute name="business" type="SimpleAttribute" use="optional"/>
    <xsd:attribute name="residential" type="SimpleAttribute" use="optional"/>
    <xsd:attribute name="government" type="SimpleAttribute" use="optional"/>
</xsd:attributeGroup>
<xsd:complexType name="E115Message">
    <xsd:choice>
        <xsd:element name="directoryMessage" type="DirectoryMessage"/>
    </xsd:choice>
</xsd:complexType>
<xsd:complexType name="DirectoryMessage">
    <xsd:choice>
        <xsd:element name="inquiry" type="Inquiry"/>
        <xsd:element name="reply" type="Reply"/>
    </xsd:choice>
</xsd:complexType>
<xsd:complexType name="Inquiry">
    <xsd:sequence>
        <xsd:element name="inquiryHeader" type="InquiryHeader"/>
        <xsd:element name="inquiryData" type="InquiryData"/>
    </xsd:sequence>
</xsd:complexType>
<xsd:complexType name="InquiryHeader">
    <xsd:all>
        <xsd:element name="acceptedReplyTypes" minOccurs="0">
            <xsd:complexType>
                <xsd:attribute name="provinceList" type="SimpleAttribute" use="optional"/>
                <xsd:attribute name="localityList" type="SimpleAttribute" use="optional"/>
                <xsd:attribute name="streetList" type="SimpleAttribute" use="optional"/>
                <xsd:attribute name="businessCategoryList" type="SimpleAttribute"
                    use="optional"/>
            </xsd:complexType>
        </xsd:element>
        <xsd:element name="inquiryCoordinateType" minOccurs="0">
            <xsd:complexType>
                <xsd:attributeGroup ref="CoordinateTypeDescription"/>
            </xsd:complexType>
        </xsd:element>
        <xsd:element name="replyCoordinateType" minOccurs="0">
            <xsd:complexType>
                <xsd:attributeGroup ref="CoordinateTypeDescription"/>
            </xsd:complexType>
        </xsd:element>
    </xsd:all>
    <xsd:attribute name="originatingTerminalCode" use="required">
        <xsd:simpleType>
            <xsd:restriction base="E115String">
                <xsd:length value="8"/>
            </xsd:restriction>
        </xsd:simpleType>
    </xsd:attribute>
    <xsd:attribute name="dateAndTime" use="optional">
        <xsd:simpleType>
            <xsd:restriction base="NumericString">
                <xsd:length value="12"/>
            </xsd:restriction>
        </xsd:simpleType>
    </xsd:attribute>

```

```

    </xsd:restriction>
  </xsd:simpleType>
</xsd:attribute>
<xsd:attribute name="messageNumber" use="optional">
  <xsd:simpleType>
    <xsd:restriction base="E115String">
      <xsd:length value="4"/>
    </xsd:restriction>
  </xsd:simpleType>
</xsd:attribute>
<xsd:attribute name="countryName" use="required">
  <xsd:simpleType>
    <xsd:restriction base="E115String">
      <xsd:length value="2"/>
    </xsd:restriction>
  </xsd:simpleType>
</xsd:attribute>
<xsd:attribute name="providerCode" type="E115StringUb256" use="optional"/>
<xsd:attribute name="inquiryCharacterSubset" type="CharacterSubSet" use="optional"
  default="basic"/>
<xsd:attribute name="replyCharacterSubset" type="CharacterSubSet" use="optional"
  default="latin1"/>
<xsd:attribute name="requestedReplyType" use="optional" default="subscriberList">
  <xsd:simpleType>
    <xsd:restriction base="xsd:NCName">
      <xsd:enumeration value="subscriberList"/>
      <xsd:enumeration value="provinceList"/>
      <xsd:enumeration value="localityList"/>
      <xsd:enumeration value="streetList"/>
      <xsd:enumeration value="businessCategoryList"/>
    </xsd:restriction>
  </xsd:simpleType>
</xsd:attribute>
</xsd:complexType>
<xsd:complexType name="InquiryData">
  <xsd:all>
    <xsd:element name="locality" type="E115StringUb256" minOccurs="0"/>
    <xsd:element name="subscriberName" type="E115StringUb256" minOccurs="0"/>
    <xsd:element name="streetName" type="E115StringUb256" minOccurs="0"/>
    <xsd:element name="houseNumber" type="E115StringUb256" minOccurs="0"/>
    <xsd:element name="forename" type="E115StringUb256" minOccurs="0"/>
    <xsd:element name="headingInTheGuide" type="E115StringUb256" minOccurs="0"/>
    <xsd:element name="professionCode" type="E115StringUb256" minOccurs="0"/>
    <xsd:element name="countyStateOrProvince" type="E115StringUb256" minOccurs="0"/>
    <xsd:element name="category" minOccurs="0">
      <xsd:complexType>
        <xsd:attributeGroup ref="Categories"/>
      </xsd:complexType>
    </xsd:element>
    <xsd:element name="postalCode" type="E115StringUb256" minOccurs="0"/>
    <xsd:element name="nationalDestinationCode" minOccurs="0">
      <xsd:simpleType>
        <xsd:restriction base="NumericString">
          <xsd:minLength value="1"/>
          <xsd:maxLength value="14"/>
        </xsd:restriction>
      </xsd:simpleType>
    </xsd:element>
    <xsd:element name="commAddress" type="E115StringUb256" minOccurs="0"/>
    <xsd:element name="commAddressTypes" minOccurs="0">
      <xsd:complexType>
        <xsd:attribute name="e164" type="SimpleAttribute" use="optional"/>
        <xsd:attribute name="rfc822" type="SimpleAttribute" use="optional"/>
        <xsd:attribute name="rfc1738" type="SimpleAttribute" use="optional"/>
      </xsd:complexType>
    </xsd:element>
    <xsd:element name="additionalName" type="E115StringUb256" minOccurs="0"/>
    <xsd:element name="commAddressService" minOccurs="0">
      <xsd:complexType>
        <xsd:attributeGroup ref="CommAddressService"/>
      </xsd:complexType>
    </xsd:element>
  </xsd:all>
</xsd:complexType>

```

```

</xsd:element>
<xsd:element name="commAddressChar" minOccurs="0">
  <xsd:complexType>
    <xsd:attributeGroup ref="InquiryCommAddressChar"/>
  </xsd:complexType>
</xsd:element>
<xsd:element name="searchCoordinate" minOccurs="0">
  <xsd:complexType>
    <xsd:attributeGroup ref="Coordinate"/>
  </xsd:complexType>
</xsd:element>
<xsd:element name="searchRadius" minOccurs="0">
  <xsd:simpleType>
    <xsd:restriction base="NumericString">
      <xsd:minLength value="1"/>
      <xsd:maxLength value="9"/>
    </xsd:restriction>
  </xsd:simpleType>
</xsd:element>
<xsd:element name="matchingRule" minOccurs="0">
  <xsd:complexType>
    <xsd:attribute name="wordRotation" type="xsd:boolean" use="optional"/>
    <xsd:attribute name="phonetic" type="xsd:boolean" use="optional"/>
    <xsd:attribute name="alias" type="xsd:boolean" use="optional"/>
  </xsd:complexType>
</xsd:element>
</xsd:all>
<xsd:attribute name="sequenceNumber" use="optional" default="0">
  <xsd:simpleType>
    <xsd:restriction base="NumericString">
      <xsd:minLength value="1"/>
      <xsd:maxLength value="2"/>
    </xsd:restriction>
  </xsd:simpleType>
</xsd:attribute>
<xsd:attribute name="geoExpansion" use="optional">
  <xsd:simpleType>
    <xsd:restriction base="NumericString">
      <xsd:minLength value="1"/>
      <xsd:maxLength value="3"/>
    </xsd:restriction>
  </xsd:simpleType>
</xsd:attribute>
<xsd:attribute name="maxSelectionLevel" type="NumericString" use="optional"
  default="99"/>
</xsd:complexType>
<xsd:complexType name="Reply">
  <xsd:sequence>
    <xsd:element name="replyHeader" type="ReplyHeader"/>
    <xsd:element name="selection" type="Selection" minOccurs="0"
      maxOccurs="unbounded"/>
  </xsd:sequence>
</xsd:complexType>
<xsd:complexType name="ReplyHeader">
  <xsd:all>
    <xsd:element name="message" type="E115StringUb256" minOccurs="0"/>
    <xsd:element name="replyCoordinateType" minOccurs="0">
      <xsd:complexType>
        <xsd:attributeGroup ref="CoordinateTypeDescription"/>
      </xsd:complexType>
    </xsd:element>
    <xsd:element name="searchCenter" minOccurs="0">
      <xsd:complexType>
        <xsd:attributeGroup ref="Coordinate"/>
      </xsd:complexType>
    </xsd:element>
  </xsd:all>
  <xsd:attribute name="originatingTerminalCode" use="required">
    <xsd:simpleType>
      <xsd:restriction base="E115String">
        <xsd:length value="8"/>
      </xsd:restriction>
    </xsd:simpleType>
  </xsd:attribute>

```

```

    </xsd:restriction>
  </xsd:simpleType>
</xsd:attribute>
<xsd:attribute name="dateAndTime" use="optional">
  <xsd:simpleType>
    <xsd:restriction base="NumericString">
      <xsd:length value="12"/>
    </xsd:restriction>
  </xsd:simpleType>
</xsd:attribute>
<xsd:attribute name="messageNumber" use="optional">
  <xsd:simpleType>
    <xsd:restriction base="E115String">
      <xsd:length value="4"/>
    </xsd:restriction>
  </xsd:simpleType>
</xsd:attribute>
<xsd:attribute name="messageCode" use="required">
  <xsd:simpleType>
    <xsd:restriction base="E115String">
      <xsd:length value="2"/>
    </xsd:restriction>
  </xsd:simpleType>
</xsd:attribute>
<xsd:attribute name="dbSelectionCount" use="optional">
  <xsd:simpleType>
    <xsd:restriction base="E115String">
      <xsd:minLength value="1"/>
      <xsd:maxLength value="10"/>
    </xsd:restriction>
  </xsd:simpleType>
</xsd:attribute>
</xsd:complexType>
<xsd:complexType name="Selection">
  <xsd:all>
    <xsd:element name="nationalDestinationCode" minOccurs="0">
      <xsd:simpleType>
        <xsd:restriction base="NumericString">
          <xsd:minLength value="1"/>
          <xsd:maxLength value="14"/>
        </xsd:restriction>
      </xsd:simpleType>
    </xsd:element>
    <xsd:element name="commAddress" type="E115StringUb256" minOccurs="0"/>
    <xsd:element name="locality" type="E115StringUb256" minOccurs="0"/>
    <xsd:element name="subscriberName" type="E115StringUb256" minOccurs="0"/>
    <xsd:element name="forename" type="E115StringUb256" minOccurs="0"/>
    <xsd:element name="streetName" type="E115StringUb256" minOccurs="0"/>
    <xsd:element name="houseNumber" type="E115StringUb256" minOccurs="0"/>
    <xsd:element name="supplementaryData" type="E115StringUb256" minOccurs="0"/>
    <xsd:element name="subscriberMessage" type="E115StringUb256" minOccurs="0"/>
    <xsd:element name="headingInTheGuide" type="E115StringUb256" minOccurs="0"/>
    <xsd:element name="professionCode" type="E115StringUb256" minOccurs="0"/>
    <xsd:element name="countyStateOrProvince" type="E115StringUb256" minOccurs="0"/>
    <xsd:element name="subscriberDescription" type="E115StringUb256" minOccurs="0"/>
    <xsd:element name="category" minOccurs="0">
      <xsd:complexType>
        <xsd:attributeGroup ref="Categories"/>
      </xsd:complexType>
    </xsd:element>
    <xsd:element name="countryCode" minOccurs="0">
      <xsd:simpleType>
        <xsd:restriction base="NumericString">
          <xsd:minLength value="1"/>
          <xsd:maxLength value="3"/>
        </xsd:restriction>
      </xsd:simpleType>
    </xsd:element>
    <xsd:element name="postalCode" type="E115StringUb256" minOccurs="0"/>
    <xsd:element name="commAddressService" minOccurs="0">
      <xsd:complexType>

```



```

        <xsd:attributeGroup ref="CommAddressService"/>
    </xsd:complexType>
</xsd:element>
<xsd:element name="commAddressChar" minOccurs="0">
    <xsd:complexType>
        <xsd:attributeGroup ref="ReplyCommAddressChar"/>
    </xsd:complexType>
</xsd:element>
<xsd:element name="distance" type="E115StringUb256" minOccurs="0"/>
<xsd:element name="additionalName" type="E115StringUb256" minOccurs="0"/>
<xsd:element name="selectionCoordinate" minOccurs="0">
    <xsd:complexType>
        <xsd:attributeGroup ref="Coordinate"/>
    </xsd:complexType>
</xsd:element>
</xsd:all>
<xsd:attribute name="commAddressType" use="optional">
    <xsd:simpleType>
        <xsd:restriction base="xsd:NCName">
            <xsd:enumeration value="e164"/>
            <xsd:enumeration value="rfc822"/>
            <xsd:enumeration value="rfc1738"/>
        </xsd:restriction>
    </xsd:simpleType>
</xsd:attribute>
<xsd:attribute name="selectionLevel" use="optional" default="0">
    <xsd:simpleType>
        <xsd:restriction base="NumericString">
            <xsd:minLength value="1"/>
            <xsd:maxLength value="3"/>
        </xsd:restriction>
    </xsd:simpleType>
</xsd:attribute>
</xsd:complexType>
<xsd:element name="e115Message" type="E115Message"/>
</xsd:schema>

```

Annex E

Directory assistance protocol version 2.01 in ASN.1

(This annex forms an integral part of this Recommendation)

This annex provides the ASN.1 specification for version 2.01 of the protocol. This version of the protocol is not backward compatible with the version 1 protocol and the version 2.00 protocol. When the ASN.1 EXTENDED-XER encoding rules are used, the XML encoding produced is identical to an XML encoding based on the XSD specified in Annex F.

```
E115v2 {itu-t recommendation(0) e(5) da(115) version2(2) release(1)} DEFINITIONS XER
INSTRUCTIONS ::=
BEGIN
```

```
E115String ::= UTF8String (FROM ({0, 0, 0, 32}..{0, 0, 255, 253}))
```

```
E115StringUb256 ::= E115String (SIZE(1..256))
```

```
E115NumericString ::= [NAME AS "NumericString"]
    UTF8String (FROM ( {0, 0, 0, 48}..{0, 0, 0, 57} ))
```

```
SimpleAttribute ::= BOOLEAN (TRUE)
```

```
CharacterSubSet ::= ENUMERATED {
    basic          (0),
    latin1         (1),
    latin-extended-A (2),
    cyrillic       (3),
    greek          (4),
    arabic         (5) }
```

```
Geographical ::= ENUMERATED {
    dms  (0),
    dd   (1),
    dec  (2) }
```

```
CoordinateTypeDescription ::= SEQUENCE {
    geodeticDatum      [ATTRIBUTE] [TAG: 0]  IMPLICIT E115StringUb256,
    geographical       [ATTRIBUTE] [TAG: 1]  IMPLICIT Geographical }
```

```
Coordinate ::= SEQUENCE {
    latitude           [TAG: 0] IMPLICIT E115StringUb256,
    longitude          [TAG: 1] IMPLICIT E115StringUb256 }
```

```
CommAddressService ::= SEQUENCE {
    fax                [ATTRIBUTE] [TAG: 0]  IMPLICIT SimpleAttribute OPTIONAL,
    pbx                [ATTRIBUTE] [TAG: 1]  IMPLICIT SimpleAttribute OPTIONAL,
    txt                [ATTRIBUTE] [TAG: 2]  IMPLICIT SimpleAttribute OPTIONAL,
    pub               [ATTRIBUTE] [TAG: 3]  IMPLICIT SimpleAttribute OPTIONAL,
    vid               [ATTRIBUTE] [TAG: 4]  IMPLICIT SimpleAttribute OPTIONAL,
    pag               [ATTRIBUTE] [TAG: 5]  IMPLICIT SimpleAttribute OPTIONAL,
    voice             [ATTRIBUTE] [TAG: 6]  IMPLICIT SimpleAttribute OPTIONAL,
    data              [ATTRIBUTE] [TAG: 7]  IMPLICIT SimpleAttribute OPTIONAL,
    http              [ATTRIBUTE] [TAG: 8]  IMPLICIT SimpleAttribute OPTIONAL,
    ftp               [ATTRIBUTE] [TAG: 9]  IMPLICIT SimpleAttribute OPTIONAL,
    eml               [ATTRIBUTE] [TAG: 10] IMPLICIT SimpleAttribute OPTIONAL,
    sms               [ATTRIBUTE] [TAG: 11] IMPLICIT SimpleAttribute OPTIONAL,
    mms               [ATTRIBUTE] [TAG: 12] IMPLICIT SimpleAttribute OPTIONAL,
    emg               [ATTRIBUTE] [TAG: 13] IMPLICIT SimpleAttribute OPTIONAL }
```

```
InquiryCommAddressChar ::= SEQUENCE {
    ftn               [ATTRIBUTE] [TAG: 0]  IMPLICIT SimpleAttribute OPTIONAL,
    mob               [ATTRIBUTE] [TAG: 1]  IMPLICIT SimpleAttribute OPTIONAL,
    fixed             [ATTRIBUTE] [TAG: 2]  IMPLICIT SimpleAttribute OPTIONAL }
```

```
PhoneService ::= SEQUENCE {
```

```

fax                [ATTRIBUTE] [TAG: 0]  IMPLICIT SimpleAttribute OPTIONAL,
pbx                [ATTRIBUTE] [TAG: 1]  IMPLICIT SimpleAttribute OPTIONAL,
txt                [ATTRIBUTE] [TAG: 2]  IMPLICIT SimpleAttribute OPTIONAL,
pub                [ATTRIBUTE] [TAG: 3]  IMPLICIT SimpleAttribute OPTIONAL,
vid                [ATTRIBUTE] [TAG: 4]  IMPLICIT SimpleAttribute OPTIONAL,
pag                [ATTRIBUTE] [TAG: 5]  IMPLICIT SimpleAttribute OPTIONAL,
voice              [ATTRIBUTE] [TAG: 6]  IMPLICIT SimpleAttribute OPTIONAL,
data               [ATTRIBUTE] [TAG: 7]  IMPLICIT SimpleAttribute OPTIONAL,
sms                [ATTRIBUTE] [TAG: 8]  IMPLICIT SimpleAttribute OPTIONAL,
mms                [ATTRIBUTE] [TAG: 9]  IMPLICIT SimpleAttribute OPTIONAL,
emg                [ATTRIBUTE] [TAG: 10] IMPLICIT SimpleAttribute OPTIONAL }

InquiryPhoneChar ::= SEQUENCE {
  ftn                [ATTRIBUTE] [TAG: 0]  IMPLICIT SimpleAttribute OPTIONAL,
  mob                [ATTRIBUTE] [TAG: 1]  IMPLICIT SimpleAttribute OPTIONAL,
  fixed              [ATTRIBUTE] [TAG: 2]  IMPLICIT SimpleAttribute OPTIONAL }

ReplyPhoneChar ::= SEQUENCE {
  ftn                [ATTRIBUTE] [TAG: 0]  IMPLICIT SimpleAttribute OPTIONAL,
  mob                [ATTRIBUTE] [TAG: 1]  IMPLICIT SimpleAttribute OPTIONAL,
  fixed              [ATTRIBUTE] [TAG: 2]  IMPLICIT SimpleAttribute OPTIONAL,
  prn                [ATTRIBUTE] [TAG: 3]  IMPLICIT SimpleAttribute OPTIONAL,
  npn                [ATTRIBUTE] [TAG: 4]  IMPLICIT SimpleAttribute OPTIONAL,
  upn                [ATTRIBUTE] [TAG: 5]  IMPLICIT SimpleAttribute OPTIONAL,
  old                [ATTRIBUTE] [TAG: 6]  IMPLICIT SimpleAttribute OPTIONAL,
  adv                [ATTRIBUTE] [TAG: 7]  IMPLICIT SimpleAttribute OPTIONAL,
  nmk                [ATTRIBUTE] [TAG: 8]  IMPLICIT SimpleAttribute OPTIONAL }

Categories ::= SEQUENCE {
  business           [ATTRIBUTE] [TAG: 0]  IMPLICIT SimpleAttribute OPTIONAL,
  residential         [ATTRIBUTE] [TAG: 1]  IMPLICIT SimpleAttribute OPTIONAL,
  government          [ATTRIBUTE] [TAG: 2]  IMPLICIT SimpleAttribute OPTIONAL }

E115Message ::= CHOICE {
  directoryMessage [TAG: 0] DirectoryMessage }

DirectoryMessage ::= CHOICE {
  inquiry [TAG: 0] Inquiry,
  reply   [TAG: 1] Reply }

Inquiry ::= SEQUENCE {
  inquiryHeader InquiryHeader,
  inquiryData   InquiryData }

InquiryHeader ::= [ TAG: APPLICATION 0 ] IMPLICIT SET {
  originatingTerminalCode [ATTRIBUTE] [TAG: 0]  IMPLICIT E115String (SIZE(8)),
  dateAndTime              [ATTRIBUTE] [TAG: 1]  IMPLICIT E115NumericString (SIZE(12))
  OPTIONAL,
  messageNumber            [ATTRIBUTE] [TAG: 2]  IMPLICIT E115String (SIZE(4)) OPTIONAL,
  countryName              [ATTRIBUTE] [TAG: 3]  IMPLICIT E115String (SIZE(2)),
  providerCode             [ATTRIBUTE] [TAG: 4]  IMPLICIT E115StringUb256 OPTIONAL,
  inquiryCharacterSubset   [ATTRIBUTE] [TAG: 5]  IMPLICIT CharacterSubSet DEFAULT basic,
  replyCharacterSubset     [ATTRIBUTE] [TAG: 6]  IMPLICIT CharacterSubSet DEFAULT latin1,
  requestedReplyType       [ATTRIBUTE] [TAG: 7]  IMPLICIT ENUMERATED {
    subscriberList (0),
    provinceList   (1),
    localityList   (2),
    streetList     (3),
    businessCategoryList (4) } DEFAULT subscriberList,
  acceptedReplyTypes [TAG: 8] IMPLICIT SEQUENCE {
    provinceList [ATTRIBUTE] [TAG: 0]  IMPLICIT SimpleAttribute OPTIONAL,
    localityList [ATTRIBUTE] [TAG: 1]  IMPLICIT SimpleAttribute OPTIONAL,
    streetList   [ATTRIBUTE] [TAG: 2]  IMPLICIT SimpleAttribute OPTIONAL,
    businessCategoryList [ATTRIBUTE] [TAG: 3]  IMPLICIT SimpleAttribute OPTIONAL },
  inquiryCoordinateType [TAG: 9] IMPLICIT SEQUENCE {
    COMPONENTS OF CoordinateTypeDescription } OPTIONAL,
  replyCoordinateType   [TAG: 10] IMPLICIT SEQUENCE {
    COMPONENTS OF CoordinateTypeDescription } OPTIONAL }

InquiryData ::= [ TAG: APPLICATION 1 ] IMPLICIT SET {
  locality [TAG: 0]  IMPLICIT E115StringUb256 OPTIONAL,

```

```

subscriberName      [TAG: 1]  IMPLICIT E115StringUb256 OPTIONAL,
streetName          [TAG: 2]  IMPLICIT E115StringUb256 OPTIONAL,
houseNumber         [TAG: 3]  IMPLICIT E115StringUb256 OPTIONAL,
forename            [TAG: 4]  IMPLICIT E115StringUb256 OPTIONAL,
headingInTheGuide  [TAG: 5]  IMPLICIT E115StringUb256 OPTIONAL,
professionCode      [TAG: 6]  IMPLICIT E115StringUb256 OPTIONAL,
countyStateOrProvince [TAG: 7]  IMPLICIT E115StringUb256 OPTIONAL,
category            [TAG: 8]  IMPLICIT SEQUENCE {
    COMPONENTS OF Categories } OPTIONAL,
sequenceNumber      [ATTRIBUTE] [TAG: 9]  IMPLICIT
    E115NumericString (SIZE(1..2)) DEFAULT "0",
postalCode          [TAG: 10]  IMPLICIT E115StringUb256 OPTIONAL,
nationalDestinationCode [TAG: 11]  IMPLICIT E115NumericString(SIZE(1..14)) OPTIONAL,
commAddress         [TAG: 12]  IMPLICIT E115StringUb256 OPTIONAL,
commAddressTypes    [TAG: 13]  IMPLICIT SEQUENCE {
    phone            [ATTRIBUTE] [TAG: 0]  IMPLICIT SimpleAttribute OPTIONAL,
    email            [ATTRIBUTE] [TAG: 1]  IMPLICIT SimpleAttribute OPTIONAL,
    uri              [ATTRIBUTE] [TAG: 2]  IMPLICIT SimpleAttribute OPTIONAL }
    OPTIONAL,
additionalName      [TAG: 14]  IMPLICIT E115StringUb256 OPTIONAL,
commAddressService  [TAG: 15]  IMPLICIT SEQUENCE {
    COMPONENTS OF CommAddressService } OPTIONAL,
commAddressChar     [TAG: 16]  IMPLICIT SEQUENCE {
    COMPONENTS OF InquiryCommAddressChar } OPTIONAL,
geoExpansion        [ATTRIBUTE] [TAG: 17]  IMPLICIT
    E115NumericString (SIZE(1..3)) OPTIONAL,
searchCoordinate    [TAG: 18]  IMPLICIT SEQUENCE {
    COMPONENTS OF Coordinate } OPTIONAL,
searchRadius        [TAG: 19]  IMPLICIT NumericString (SIZE(1..9)) OPTIONAL,
matchingRule        [TAG: 20]  IMPLICIT SEQUENCE {
    wordRotation     [ATTRIBUTE] [TAG: 0]  IMPLICIT BOOLEAN OPTIONAL,
    phonetic         [ATTRIBUTE] [TAG: 1]  IMPLICIT BOOLEAN OPTIONAL,
    alias            [ATTRIBUTE] [TAG: 2]  IMPLICIT BOOLEAN OPTIONAL } OPTIONAL,
maxSelectionLevel   [ATTRIBUTE] [TAG: 21]  IMPLICIT
    E115NumericString (SIZE(1..3)) DEFAULT "99" }

Reply ::= SEQUENCE {
    replyHeader ReplyHeader,
    selections SEQUENCE (SIZE(1..MAX)) OF Selection OPTIONAL }

ReplyHeader ::= [TAG: APPLICATION 3] IMPLICIT SET {
    originatingTerminalCode [ATTRIBUTE] [TAG: 0]  IMPLICIT E115String (SIZE(8)),
    dateAndTime             [ATTRIBUTE] [TAG: 1]  IMPLICIT E115NumericString (SIZE(12))
        OPTIONAL,
    messageNumber           [ATTRIBUTE] [TAG: 2]  IMPLICIT E115String (SIZE(4)) OPTIONAL,
    messageCode             [ATTRIBUTE] [TAG: 3]  IMPLICIT E115String (SIZE(2)),
    message                 [TAG: 4]  IMPLICIT E115StringUb256 OPTIONAL,
    dbSelectionCount        [ATTRIBUTE] [TAG: 5]  IMPLICIT E115String (SIZE(1..10))
        OPTIONAL,
    replyCoordinateType     [TAG: 6]  IMPLICIT SEQUENCE {
        COMPONENTS OF CoordinateTypeDescription } OPTIONAL,
    searchCenter            [TAG: 7]  IMPLICIT SEQUENCE {
        COMPONENTS OF Coordinate } OPTIONAL }

Selection ::= SET {
-- nationalDestinationCode [TAG: 0]  IMPLICIT E115NumericString (SIZE(1..14))
OPTIONAL,
    commAddresses          [TAG: 1]  IMPLICIT CommAddresses OPTIONAL,
    locality               [TAG: 2]  IMPLICIT E115StringUb256 OPTIONAL,
    subscriberName        [TAG: 3]  IMPLICIT E115StringUb256 OPTIONAL,
    forename              [TAG: 4]  IMPLICIT E115StringUb256 OPTIONAL,
    streetName            [TAG: 5]  IMPLICIT E115StringUb256 OPTIONAL,
    houseNumber           [TAG: 6]  IMPLICIT E115StringUb256 OPTIONAL,
    supplementaryData      [TAG: 7]  IMPLICIT E115StringUb256 OPTIONAL,
    subscriberMessage     [TAG: 8]  IMPLICIT E115StringUb256 OPTIONAL,
    headingInTheGuide    [TAG: 9]  IMPLICIT E115StringUb256 OPTIONAL,
    professionCode        [TAG: 10]  IMPLICIT E115StringUb256 OPTIONAL,
    countyStateOrProvince [TAG: 11]  IMPLICIT E115StringUb256 OPTIONAL,
    subscriberDescription [TAG: 12]  IMPLICIT E115StringUb256 OPTIONAL,
    category              [TAG: 13]  IMPLICIT SEQUENCE {
        COMPONENTS OF Categories } OPTIONAL,

```

```

postalCode           [TAG: 14] IMPLICIT E115StringUb256 OPTIONAL,
distance             [TAG: 15] IMPLICIT E115StringUb256 OPTIONAL,
additionalName       [TAG: 16] IMPLICIT E115StringUb256 OPTIONAL,
selectionCoordinate  [TAG: 17] IMPLICIT SEQUENCE {
    COMPONENTS OF Coordinate },
selectionLevel       [ATTRIBUTE][TAG: 18] IMPLICIT
    E115NumericString (SIZE(1..3)) DEFAULT "0" }

CommAddresses ::= SEQUENCE (SIZE(1..MAX)) OF CHOICE {
    phone             [TAG: 0] IMPLICIT SET {
        countryCalingCode [TAG: 0] IMPLICIT E115NumericString (SIZE(1..3)),
        nationalDestinationCode [TAG: 1] IMPLICIT E115NumericString (SIZE(1..14)) OPTIONAL,
        number           [TAG: 2] IMPLICIT E115StringUb256,
        phoneService     [TAG: 3] IMPLICIT SEQUENCE { COMPONENTS OF PhoneService }
            OPTIONAL,
        phoneChar        [TAG: 4] IMPLICIT SEQUENCE { COMPONENTS OF ReplyPhoneChar }
            OPTIONAL,
        restriction      [ATTRIBUTE] ENUMERATED {
            disclose      (1),
            nonDisclose (2) } DEFAULT disclose },
    email             [TAG: 1] IMPLICIT SEQUENCE {
        nmk              [ATTRIBUTE] SimpleAttribute OPTIONAL,
        restriction      [ATTRIBUTE] ENUMERATED {
            disclose      (1),
            nonDisclose (2) } DEFAULT disclose,
        base             [UNTAGGED] E115StringUb256 },
    uri               [TAG: 2] IMPLICIT SEQUENCE {
        restriction      [ATTRIBUTE] ENUMERATED {
            disclose      (1),
            nonDisclose (2) } DEFAULT disclose,
        base             [UNTAGGED] E115StringUb256 } }

```

ENCODING-CONTROL XER

```

GLOBAL-DEFAULTS MODIFIED-ENCODINGS
TEXT CharacterSubSet:ALL, Geographical:ALL,
    InquiryHeader.requestedReplyType:ALL,
    CommAddresses.*.phone.restriction:ALL,
    CommAddresses.*.email.restriction:ALL,
    CommAddresses.*.uri.restriction:ALL

```

END

Annex F

Directory assistance protocol version 2.01 in XSD

(This annex forms an integral part of this Recommendation)

This annex provides the XSD specification for the version 2.01 of the protocol. This version of the protocol is not fully backward compatible with the version 2.00 protocol.

```
<?xml version="1.0" encoding="UTF-8"?>
<!-- Version 2.01 -->
<xsd:schema xmlns:xsd="http://www.w3.org/2001/XMLSchema">
  <xsd:simpleType name="E115String">
    <xsd:restriction base="xsd:string"/>
  </xsd:simpleType>
  <xsd:simpleType name="E115StringUb256">
    <xsd:restriction base="E115String">
      <xsd:minLength value="1"/>
      <xsd:maxLength value="256"/>
    </xsd:restriction>
  </xsd:simpleType>
  <xsd:simpleType name="NumericString">
    <xsd:restriction base="xsd:string">
      <xsd:pattern value="[0-9]*/>
    </xsd:restriction>
  </xsd:simpleType>
  <xsd:simpleType name="SimpleAttribute">
    <xsd:restriction base="xsd:boolean">
      <xsd:pattern value="true"/>
    </xsd:restriction>
  </xsd:simpleType>
  <xsd:simpleType name="CharacterSubSet">
    <xsd:restriction base="xsd:NCName">
      <xsd:enumeration value="basic"/>
      <xsd:enumeration value="latin1"/>
      <xsd:enumeration value="latin-ext"/>
      <xsd:enumeration value="cyrillic"/>
      <xsd:enumeration value="greek"/>
      <xsd:enumeration value="arabic"/>
    </xsd:restriction>
  </xsd:simpleType>
  <xsd:simpleType name="GeographicalType">
    <xsd:restriction base="xsd:NCName">
      <xsd:enumeration value="dms"/>
      <xsd:enumeration value="dd"/>
      <xsd:enumeration value="dec"/>
    </xsd:restriction>
  </xsd:simpleType>
  <xsd:attributeGroup name="CoordinateTypeDescription">
    <xsd:attribute name="geodeticDatum" type="E115StringUb256" use="required"/>
    <xsd:attribute name="geographical" type="GeographicalType" use="required"/>
  </xsd:attributeGroup>
  <xsd:attributeGroup name="Coordinate">
    <xsd:attribute name="latitude" type="E115StringUb256" use="required"/>
    <xsd:attribute name="longitude" type="E115StringUb256" use="required"/>
  </xsd:attributeGroup>
  <xsd:attributeGroup name="CommAddressService">
    <xsd:attribute name="fax" type="SimpleAttribute" use="optional"/>
    <xsd:attribute name="pbx" type="SimpleAttribute" use="optional"/>
    <xsd:attribute name="txt" type="SimpleAttribute" use="optional"/>
    <xsd:attribute name="pub" type="SimpleAttribute" use="optional"/>
    <xsd:attribute name="vid" type="SimpleAttribute" use="optional"/>
    <xsd:attribute name="pag" type="SimpleAttribute" use="optional"/>
    <xsd:attribute name="voice" type="SimpleAttribute" use="optional"/>
    <xsd:attribute name="data" type="SimpleAttribute" use="optional"/>
    <xsd:attribute name="http" type="SimpleAttribute" use="optional"/>
    <xsd:attribute name="ftp" type="SimpleAttribute" use="optional"/>
    <xsd:attribute name="eml" type="SimpleAttribute" use="optional"/>
  </xsd:attributeGroup>
</xsd:schema>
```

```

    <xsd:attribute name="sms" type="SimpleAttribute" use="optional"/>
    <xsd:attribute name="mms" type="SimpleAttribute" use="optional"/>
    <xsd:attribute name="emg" type="SimpleAttribute" use="optional"/>
</xsd:attributeGroup>
<xsd:attributeGroup name="InquiryCommAddressChar">
    <xsd:attribute name="ftn" type="SimpleAttribute" use="optional"/>
    <xsd:attribute name="mob" type="SimpleAttribute" use="optional"/>
    <xsd:attribute name="fixed" type="SimpleAttribute" use="optional"/>
</xsd:attributeGroup>
<xsd:attributeGroup name="PhoneService">
    <xsd:attribute name="fax" type="SimpleAttribute" use="optional"/>
    <xsd:attribute name="pbx" type="SimpleAttribute" use="optional"/>
    <xsd:attribute name="txt" type="SimpleAttribute" use="optional"/>
    <xsd:attribute name="pub" type="SimpleAttribute" use="optional"/>
    <xsd:attribute name="vid" type="SimpleAttribute" use="optional"/>
    <xsd:attribute name="pag" type="SimpleAttribute" use="optional"/>
    <xsd:attribute name="voice" type="SimpleAttribute" use="optional"/>
    <xsd:attribute name="data" type="SimpleAttribute" use="optional"/>
    <xsd:attribute name="sms" type="SimpleAttribute" use="optional"/>
    <xsd:attribute name="mms" type="SimpleAttribute" use="optional"/>
    <xsd:attribute name="emg" type="SimpleAttribute" use="optional"/>
</xsd:attributeGroup>
<xsd:attributeGroup name="InquiryPhoneChar">
    <xsd:attribute name="ftn" type="SimpleAttribute" use="optional"/>
    <xsd:attribute name="mob" type="SimpleAttribute" use="optional"/>
    <xsd:attribute name="fixed" type="SimpleAttribute" use="optional"/>
</xsd:attributeGroup>
<xsd:attributeGroup name="ReplyPhoneChar">
    <xsd:attributeGroup ref="InquiryPhoneChar"/>
    <xsd:attribute name="prn" type="SimpleAttribute" use="optional"/>
    <xsd:attribute name="nprn" type="SimpleAttribute" use="optional"/>
    <xsd:attribute name="upn" type="SimpleAttribute" use="optional"/>
    <xsd:attribute name="old" type="SimpleAttribute" use="optional"/>
    <xsd:attribute name="adv" type="SimpleAttribute" use="optional"/>
    <xsd:attribute name="nmk" type="SimpleAttribute" use="optional"/>
</xsd:attributeGroup>
<xsd:attributeGroup name="GeneralChar">
    <xsd:attribute name="restriction" use="optional" default="disclose">
        <xsd:simpleType>
            <xsd:restriction base="xsd:NCName">
                <xsd:enumeration value="disclose"/>
                <xsd:enumeration value="nonDisclose"/>
            </xsd:restriction>
        </xsd:simpleType>
    </xsd:attribute>
</xsd:attributeGroup>
<xsd:attributeGroup name="Categories">
    <xsd:attribute name="business" type="SimpleAttribute" use="optional"/>
    <xsd:attribute name="residential" type="SimpleAttribute" use="optional"/>
    <xsd:attribute name="government" type="SimpleAttribute" use="optional"/>
</xsd:attributeGroup>
<xsd:complexType name="E115Message">
    <xsd:choice>
        <xsd:element name="directoryMessage" type="DirectoryMessage"/>
    </xsd:choice>
</xsd:complexType>
<xsd:complexType name="DirectoryMessage">
    <xsd:choice>
        <xsd:element name="inquiry" type="Inquiry"/>
        <xsd:element name="reply" type="Reply"/>
    </xsd:choice>
</xsd:complexType>
<xsd:complexType name="Inquiry">
    <xsd:sequence>
        <xsd:element name="inquiryHeader" type="InquiryHeader"/>
        <xsd:element name="inquiryData" type="InquiryData"/>
    </xsd:sequence>
</xsd:complexType>
<xsd:complexType name="InquiryHeader">
    <xsd:all>
        <xsd:element name="acceptedReplyTypes" minOccurs="0">

```

```

    <xsd:complexType>
      <xsd:attribute name="provinceList" type="SimpleAttribute" use="optional"/>
      <xsd:attribute name="localityList" type="SimpleAttribute" use="optional"/>
      <xsd:attribute name="streetList" type="SimpleAttribute" use="optional"/>
      <xsd:attribute name="businessCategoryList" type="SimpleAttribute"
        use="optional"/>
    </xsd:complexType>
  </xsd:element>
  <xsd:element name="inquiryCoordinateType" minOccurs="0">
    <xsd:complexType>
      <xsd:attributeGroup ref="CoordinateTypeDescription"/>
    </xsd:complexType>
  </xsd:element>
  <xsd:element name="replyCoordinateType" minOccurs="0">
    <xsd:complexType>
      <xsd:attributeGroup ref="CoordinateTypeDescription"/>
    </xsd:complexType>
  </xsd:element>
</xsd:all>
<xsd:attribute name="originatingTerminalCode" use="required">
  <xsd:simpleType>
    <xsd:restriction base="E115String">
      <xsd:length value="8"/>
    </xsd:restriction>
  </xsd:simpleType>
</xsd:attribute>
<xsd:attribute name="dateAndTime" use="optional">
  <xsd:simpleType>
    <xsd:restriction base="NumericString">
      <xsd:length value="12"/>
    </xsd:restriction>
  </xsd:simpleType>
</xsd:attribute>
<xsd:attribute name="messageNumber" use="optional">
  <xsd:simpleType>
    <xsd:restriction base="E115String">
      <xsd:length value="4"/>
    </xsd:restriction>
  </xsd:simpleType>
</xsd:attribute>
<xsd:attribute name="countryCode" use="required">
  <xsd:simpleType>
    <xsd:restriction base="E115String">
      <xsd:length value="2"/>
    </xsd:restriction>
  </xsd:simpleType>
</xsd:attribute>
<xsd:attribute name="providerCode" type="E115StringUb256" use="optional"/>
<xsd:attribute name="inquiryCharacterSubset" type="CharacterSubSet" use="optional"
  default="basic"/>
<xsd:attribute name="replyCharacterSubset" type="CharacterSubSet" use="optional"
  default="latin1"/>
<xsd:attribute name="requestedReplyType" use="optional" default="subscriberList">
  <xsd:simpleType>
    <xsd:restriction base="xsd:NCName">
      <xsd:enumeration value="subscriberList"/>
      <xsd:enumeration value="provinceList"/>
      <xsd:enumeration value="localityList"/>
      <xsd:enumeration value="streetList"/>
      <xsd:enumeration value="businessCategoryList"/>
    </xsd:restriction>
  </xsd:simpleType>
</xsd:attribute>
<xsd:attribute name="inquiryLanguage" use="optional">
  <xsd:simpleType>
    <xsd:restriction base="xsd:NCName">
      <xsd:length value="3"/>
    </xsd:restriction>
  </xsd:simpleType>
</xsd:attribute>
<xsd:attribute name="replyLanguage" type="xsd:NCName" use="optional"/>

```



```

</xsd:complexType>
<xsd:complexType name="InquiryData">
  <xsd:all>
    <xsd:element name="locality" type="E115StringUb256" minOccurs="0"/>
    <xsd:element name="subscriberName" type="E115StringUb256" minOccurs="0"/>
    <xsd:element name="streetName" type="E115StringUb256" minOccurs="0"/>
    <xsd:element name="houseNumber" type="E115StringUb256" minOccurs="0"/>
    <xsd:element name="forename" type="E115StringUb256" minOccurs="0"/>
    <xsd:element name="headingInTheGuide" type="E115StringUb256" minOccurs="0"/>
    <xsd:element name="professionCode" type="E115StringUb256" minOccurs="0"/>
    <xsd:element name="countyStateOrProvince" type="E115StringUb256" minOccurs="0"/>
    <xsd:element name="category" minOccurs="0">
      <xsd:complexType>
        <xsd:attributeGroup ref="Categories"/>
      </xsd:complexType>
    </xsd:element>
    <xsd:element name="postalCode" type="E115StringUb256" minOccurs="0"/>
    <xsd:element name="nationalDestinationCode" minOccurs="0">
      <xsd:simpleType>
        <xsd:restriction base="NumericString">
          <xsd:minLength value="1"/>
          <xsd:maxLength value="14"/>
        </xsd:restriction>
      </xsd:simpleType>
    </xsd:element>
    <xsd:element name="commAddress" type="E115StringUb256" minOccurs="0"/>
    <xsd:element name="commAddressTypes" minOccurs="0">
      <xsd:complexType>
        <xsd:attribute name="phone" type="SimpleAttribute" use="optional"/>
        <xsd:attribute name="email" type="SimpleAttribute" use="optional"/>
        <xsd:attribute name="uri" type="SimpleAttribute" use="optional"/>
      </xsd:complexType>
    </xsd:element>
    <xsd:element name="additionalName" type="E115StringUb256" minOccurs="0"/>
    <xsd:element name="commAddressService" minOccurs="0">
      <xsd:complexType>
        <xsd:attributeGroup ref="CommAddressService"/>
      </xsd:complexType>
    </xsd:element>
    <xsd:element name="commAddressChar" minOccurs="0">
      <xsd:complexType>
        <xsd:attributeGroup ref="InquiryCommAddressChar"/>
      </xsd:complexType>
    </xsd:element>
    <xsd:element name="searchCoordinate" minOccurs="0">
      <xsd:complexType>
        <xsd:attributeGroup ref="Coordinate"/>
      </xsd:complexType>
    </xsd:element>
    <xsd:element name="searchRadius" minOccurs="0">
      <xsd:simpleType>
        <xsd:restriction base="NumericString">
          <xsd:minLength value="1"/>
          <xsd:maxLength value="9"/>
        </xsd:restriction>
      </xsd:simpleType>
    </xsd:element>
    <xsd:element name="matchingRule" minOccurs="0">
      <xsd:complexType>
        <xsd:attribute name="wordRotation" type="xsd:boolean" use="optional"/>
        <xsd:attribute name="phonetic" type="xsd:boolean" use="optional"/>
        <xsd:attribute name="alias" type="xsd:boolean" use="optional"/>
      </xsd:complexType>
    </xsd:element>
  </xsd:all>
  <xsd:attribute name="sequenceNumber" use="optional" default="0">
    <xsd:simpleType>
      <xsd:restriction base="NumericString">
        <xsd:minLength value="1"/>
        <xsd:maxLength value="2"/>
      </xsd:restriction>
    </xsd:simpleType>
  </xsd:attribute>

```

```

    </xsd:simpleType>
</xsd:attribute>
<xsd:attribute name="geoExpansion" use="optional">
  <xsd:simpleType>
    <xsd:restriction base="NumericString">
      <xsd:minLength value="1"/>
      <xsd:maxLength value="3"/>
    </xsd:restriction>
  </xsd:simpleType>
</xsd:attribute>
<xsd:attribute name="maxSelectionLevel" type="NumericString" use="optional"
  default="99"/>
</xsd:complexType>
<xsd:complexType name="Reply">
  <xsd:sequence>
    <xsd:element name="replyHeader" type="ReplyHeader"/>
    <xsd:element name="selection" type="Selection" minOccurs="0"
      maxOccurs="unbounded"/>
  </xsd:sequence>
</xsd:complexType>
<xsd:complexType name="ReplyHeader">
  <xsd:all>
    <xsd:element name="message" type="E115StringUb256" minOccurs="0"/>
    <xsd:element name="replyCoordinateType" minOccurs="0">
      <xsd:complexType>
        <xsd:attributeGroup ref="CoordinateTypeDescription"/>
      </xsd:complexType>
    </xsd:element>
    <xsd:element name="searchCenter" minOccurs="0">
      <xsd:complexType>
        <xsd:attributeGroup ref="Coordinate"/>
      </xsd:complexType>
    </xsd:element>
  </xsd:all>
  <xsd:attribute name="originatingTerminalCode" use="required">
    <xsd:simpleType>
      <xsd:restriction base="E115String">
        <xsd:length value="8"/>
      </xsd:restriction>
    </xsd:simpleType>
  </xsd:attribute>
  <xsd:attribute name="dateAndTime" use="optional">
    <xsd:simpleType>
      <xsd:restriction base="NumericString">
        <xsd:length value="12"/>
      </xsd:restriction>
    </xsd:simpleType>
  </xsd:attribute>
  <xsd:attribute name="messageNumber" use="optional">
    <xsd:simpleType>
      <xsd:restriction base="E115String">
        <xsd:length value="4"/>
      </xsd:restriction>
    </xsd:simpleType>
  </xsd:attribute>
  <xsd:attribute name="messageCode" use="required">
    <xsd:simpleType>
      <xsd:restriction base="E115String">
        <xsd:length value="2"/>
      </xsd:restriction>
    </xsd:simpleType>
  </xsd:attribute>
  <xsd:attribute name="dbSelectionCount" use="optional">
    <xsd:simpleType>
      <xsd:restriction base="E115String">
        <xsd:minLength value="1"/>
        <xsd:maxLength value="10"/>
      </xsd:restriction>
    </xsd:simpleType>
  </xsd:attribute>
</xsd:complexType>

```

```

<xsd:complexType name="Selection">
  <xsd:all>
    <xsd:element name="commAddresses" type="CommAddresses" minOccurs="0"/>
    <xsd:element name="locality" type="E115StringUb256" minOccurs="0"/>
    <xsd:element name="subscriberName" type="E115StringUb256" minOccurs="0"/>
    <xsd:element name="forename" type="E115StringUb256" minOccurs="0"/>
    <xsd:element name="streetName" type="E115StringUb256" minOccurs="0"/>
    <xsd:element name="houseNumber" type="E115StringUb256" minOccurs="0"/>
    <xsd:element name="supplementaryData" type="E115StringUb256" minOccurs="0"/>
    <xsd:element name="subscriberMessage" type="E115StringUb256" minOccurs="0"/>
    <xsd:element name="headingInTheGuide" type="E115StringUb256" minOccurs="0"/>
    <xsd:element name="professionCode" type="E115StringUb256" minOccurs="0"/>
    <xsd:element name="countyStateOrProvince" type="E115StringUb256" minOccurs="0"/>
    <xsd:element name="subscriberDescription" type="E115StringUb256" minOccurs="0"/>
    <xsd:element name="category" minOccurs="0">
      <xsd:complexType>
        <xsd:attributeGroup ref="Categories"/>
      </xsd:complexType>
    </xsd:element>
    <xsd:element name="postalCode" type="E115StringUb256" minOccurs="0"/>
    <xsd:element name="distance" type="E115StringUb256" minOccurs="0"/>
    <xsd:element name="additionalName" type="E115StringUb256" minOccurs="0"/>
    <xsd:element name="selectionCoordinate" minOccurs="0">
      <xsd:complexType>
        <xsd:attributeGroup ref="Coordinate"/>
      </xsd:complexType>
    </xsd:element>
  </xsd:all>
  <xsd:attribute name="selectionLevel" use="optional" default="0">
    <xsd:simpleType>
      <xsd:restriction base="NumericString">
        <xsd:minLength value="1"/>
        <xsd:maxLength value="3"/>
      </xsd:restriction>
    </xsd:simpleType>
  </xsd:attribute>
</xsd:complexType>
<xsd:complexType name="CommAddresses">
  <xsd:choice maxOccurs="unbounded">
    <xsd:element name="phone">
      <xsd:complexType>
        <xsd:all>
          <xsd:element name="countryCallingCode">
            <xsd:simpleType>
              <xsd:restriction base="NumericString">
                <xsd:minLength value="1"/>
                <xsd:maxLength value="3"/>
              </xsd:restriction>
            </xsd:simpleType>
          </xsd:element>
          <xsd:element name="nationalDestinationCode" minOccurs="0">
            <xsd:simpleType>
              <xsd:restriction base="NumericString">
                <xsd:minLength value="1"/>
                <xsd:maxLength value="14"/>
              </xsd:restriction>
            </xsd:simpleType>
          </xsd:element>
          <xsd:element name="number" type="E115StringUb256"/>
          <xsd:element name="phoneService" minOccurs="0">
            <xsd:complexType>
              <xsd:attributeGroup ref="PhoneService"/>
            </xsd:complexType>
          </xsd:element>
        </xsd:all>
        <xsd:attributeGroup ref="ReplyPhoneChar"/>
        <xsd:attributeGroup ref="GeneralChar"/>
      </xsd:complexType>
    </xsd:element>
    <xsd:element name="email">
      <xsd:complexType>

```

```

    <xsd:simpleContent>
      <xsd:extension base="E115StringUb256">
        <xsd:attribute name="nmk" type="SimpleAttribute" use="optional"/>
        <xsd:attributeGroup ref="GeneralChar"/>
      </xsd:extension>
    </xsd:simpleContent>
  </xsd:complexType>
</xsd:element>
<xsd:element name="uri">
  <xsd:complexType>
    <xsd:simpleContent>
      <xsd:extension base="E115StringUb256">
        <xsd:attributeGroup ref="GeneralChar"/>
      </xsd:extension>
    </xsd:simpleContent>
  </xsd:complexType>
</xsd:element>
</xsd:choice>
</xsd:complexType>
<xsd:element name="e115Message" type="E115Message"/>
</xsd:schema>

```

Annex G

Directory assistance protocol version 2.10 in ASN.1

(This annex forms an integral part of this Recommendation)

This annex provides the ASN.1 specification for version 2.10 of the protocol. This version of the protocol is not backward compatible with the version 1 protocol and the version 2.00 and 2.01 protocols. When the ASN.1 EXTENDED-XER encoding rules are used, the XML encoding produced is identical to an XML encoding based on the XSD specified in Annex H.

```
E115v2 {itu-t recommendation(0) e(5) da(115) version2(2) release(10)}
DEFINITIONS XER INSTRUCTIONS ::=
BEGIN

-- EXPORTS All

E115String ::= UTF8String (FROM ({0, 0, 0, 32}..{0, 0, 255, 253}))

E115StringUb256 ::= E115String (SIZE(1..256))

E115NumericString ::= [NAME AS "NumericString"]
    UTF8String (FROM ( {0, 0, 0, 48}..{0, 0, 0, 57} ))

DateAndTime ::= E115String (SIZE(19))

Version ::= E115NumericString (SIZE(4))

CharacterSubset ::= ENUMERATED {
    basic            (0),
    latin1           (1),
    latin-extended-A (2),
    cyrillic         (3),
    greek            (4),
    arabic           (5) }

GeographicalType ::= ENUMERATED {
    dms    (0),
    dd     (1),
    dec    (2) }

GeodeticDatum ::= E115StringUb256

CountryCode ::= E115String (SIZE(2))

NationalDestinationCode ::= NumericString (SIZE(1..14))

CoordinateTypeDescription ::= SET {
    geodeticDatum      [ATTRIBUTE] [TAG: 0]  IMPLICIT E115StringUb256,
    geographicalType  [ATTRIBUTE] [TAG: 1]  IMPLICIT GeographicalType }

Coordinate ::= SET {
    latitude          [ATTRIBUTE] [TAG: 0]  IMPLICIT E115StringUb256,
    longitude         [ATTRIBUTE] [TAG: 1]  IMPLICIT E115StringUb256 }

CommAddressService ::= SET {
    fax               [ATTRIBUTE] [TAG: 0]  IMPLICIT BOOLEAN DEFAULT FALSE,
    pbx               [ATTRIBUTE] [TAG: 1]  IMPLICIT BOOLEAN DEFAULT FALSE,
    txt               [ATTRIBUTE] [TAG: 2]  IMPLICIT BOOLEAN DEFAULT FALSE,
    pub               [ATTRIBUTE] [TAG: 3]  IMPLICIT BOOLEAN DEFAULT FALSE,
    vid               [ATTRIBUTE] [TAG: 4]  IMPLICIT BOOLEAN DEFAULT FALSE,
    pag               [ATTRIBUTE] [TAG: 5]  IMPLICIT BOOLEAN DEFAULT FALSE,
    voice             [ATTRIBUTE] [TAG: 6]  IMPLICIT BOOLEAN DEFAULT FALSE,
    data              [ATTRIBUTE] [TAG: 7]  IMPLICIT BOOLEAN DEFAULT FALSE,
    http              [ATTRIBUTE] [TAG: 8]  IMPLICIT BOOLEAN DEFAULT FALSE,
    ftp               [ATTRIBUTE] [TAG: 9]  IMPLICIT BOOLEAN DEFAULT FALSE,
    eml               [ATTRIBUTE] [TAG: 10] IMPLICIT BOOLEAN DEFAULT FALSE,
```

```

sms          [ATTRIBUTE] [TAG: 11] IMPLICIT BOOLEAN DEFAULT FALSE,
mms          [ATTRIBUTE] [TAG: 12] IMPLICIT BOOLEAN DEFAULT FALSE,
emg          [ATTRIBUTE] [TAG: 13] IMPLICIT BOOLEAN DEFAULT FALSE }

CommAddressServiceReq ::= SET {
fax          [ATTRIBUTE] [TAG: 10] IMPLICIT BOOLEAN,
pbx          [ATTRIBUTE] [TAG: 11] IMPLICIT BOOLEAN,
txt          [ATTRIBUTE] [TAG: 12] IMPLICIT BOOLEAN,
pub          [ATTRIBUTE] [TAG: 13] IMPLICIT BOOLEAN,
vid          [ATTRIBUTE] [TAG: 14] IMPLICIT BOOLEAN,
pag          [ATTRIBUTE] [TAG: 15] IMPLICIT BOOLEAN,
voice        [ATTRIBUTE] [TAG: 16] IMPLICIT BOOLEAN,
data         [ATTRIBUTE] [TAG: 17] IMPLICIT BOOLEAN,
http         [ATTRIBUTE] [TAG: 18] IMPLICIT BOOLEAN,
ftp          [ATTRIBUTE] [TAG: 19] IMPLICIT BOOLEAN,
eml          [ATTRIBUTE] [TAG: 20] IMPLICIT BOOLEAN,
sms          [ATTRIBUTE] [TAG: 21] IMPLICIT BOOLEAN,
mms          [ATTRIBUTE] [TAG: 22] IMPLICIT BOOLEAN,
emg          [ATTRIBUTE] [TAG: 23] IMPLICIT BOOLEAN }

CommAddressTypes ::= SET {
phone        [ATTRIBUTE] [TAG: 0]  IMPLICIT BOOLEAN OPTIONAL,
email        [ATTRIBUTE] [TAG: 1]  IMPLICIT BOOLEAN OPTIONAL,
uri          [ATTRIBUTE] [TAG: 2]  IMPLICIT BOOLEAN OPTIONAL }

InquiryCommAddressChar ::= SET {
ftn          [ATTRIBUTE] [TAG: 0]  IMPLICIT BOOLEAN DEFAULT FALSE,
mob          [ATTRIBUTE] [TAG: 1]  IMPLICIT BOOLEAN DEFAULT FALSE,
fixed        [ATTRIBUTE] [TAG: 2]  IMPLICIT BOOLEAN DEFAULT FALSE }

PhoneService ::= SET {
fax          [ATTRIBUTE] [TAG: 0]  IMPLICIT BOOLEAN DEFAULT FALSE,
pbx          [ATTRIBUTE] [TAG: 1]  IMPLICIT BOOLEAN DEFAULT FALSE,
txt          [ATTRIBUTE] [TAG: 2]  IMPLICIT BOOLEAN DEFAULT FALSE,
pub          [ATTRIBUTE] [TAG: 3]  IMPLICIT BOOLEAN DEFAULT FALSE,
vid          [ATTRIBUTE] [TAG: 4]  IMPLICIT BOOLEAN DEFAULT FALSE,
pag          [ATTRIBUTE] [TAG: 5]  IMPLICIT BOOLEAN DEFAULT FALSE,
voice        [ATTRIBUTE] [TAG: 6]  IMPLICIT BOOLEAN DEFAULT FALSE,
data         [ATTRIBUTE] [TAG: 7]  IMPLICIT BOOLEAN DEFAULT FALSE,
sms          [ATTRIBUTE] [TAG: 8]  IMPLICIT BOOLEAN DEFAULT FALSE,
mms          [ATTRIBUTE] [TAG: 9]  IMPLICIT BOOLEAN DEFAULT FALSE,
emg          [ATTRIBUTE] [TAG: 10] IMPLICIT BOOLEAN DEFAULT FALSE }

InquiryPhoneChar ::= SET {
ftn          [ATTRIBUTE] [TAG: 0]  IMPLICIT BOOLEAN DEFAULT FALSE,
mob          [ATTRIBUTE] [TAG: 1]  IMPLICIT BOOLEAN DEFAULT FALSE,
fixed        [ATTRIBUTE] [TAG: 2]  IMPLICIT BOOLEAN DEFAULT FALSE }

ReplyPhoneChar ::= SET {
ftn          [ATTRIBUTE] [TAG: 0]  IMPLICIT BOOLEAN DEFAULT FALSE,
mob          [ATTRIBUTE] [TAG: 1]  IMPLICIT BOOLEAN DEFAULT FALSE,
fixed        [ATTRIBUTE] [TAG: 2]  IMPLICIT BOOLEAN DEFAULT FALSE,
prn          [ATTRIBUTE] [TAG: 3]  IMPLICIT BOOLEAN DEFAULT FALSE,
npn          [ATTRIBUTE] [TAG: 4]  IMPLICIT BOOLEAN DEFAULT FALSE,
upn          [ATTRIBUTE] [TAG: 5]  IMPLICIT BOOLEAN DEFAULT FALSE,
old          [ATTRIBUTE] [TAG: 6]  IMPLICIT BOOLEAN DEFAULT FALSE,
adv          [ATTRIBUTE] [TAG: 7]  IMPLICIT BOOLEAN DEFAULT FALSE,
nmk          [ATTRIBUTE] [TAG: 8]  IMPLICIT BOOLEAN DEFAULT FALSE }

CategoriesReq ::= SET {
business     [ATTRIBUTE] [TAG: 0]  IMPLICIT BOOLEAN,
residential  [ATTRIBUTE] [TAG: 1]  IMPLICIT BOOLEAN,
government   [ATTRIBUTE] [TAG: 2]  IMPLICIT BOOLEAN }

Categories ::= SET {
business     [ATTRIBUTE] [TAG: 0]  IMPLICIT BOOLEAN DEFAULT FALSE,
residential  [ATTRIBUTE] [TAG: 1]  IMPLICIT BOOLEAN DEFAULT FALSE,
government   [ATTRIBUTE] [TAG: 2]  IMPLICIT BOOLEAN DEFAULT FALSE }

StringCharacteristics ::= SET {

```

```

mandatory    [ATTRIBUTE] [TAG: 0]  IMPLICIT BOOLEAN,
minLen       [ATTRIBUTE] [TAG: 1]  IMPLICIT E115NumericString OPTIONAL,
maxLen       [ATTRIBUTE] [TAG: 2]  IMPLICIT E115NumericString OPTIONAL }

E115Message ::= [NAME AS "e115Message"] CHOICE {
  directoryMessage [TAG: 0] DirectoryMessage }

DirectoryMessage ::= CHOICE {
  inquiry           [TAG: 0]  Inquiry,
  reply             [TAG: 1]  Reply,
  directoryInquiry [TAG: 2]  DirectoryInquiry,
  directoryReply   [TAG: 3]  DirectoryReply,
  functionalityInquiry [TAG: 4] FunctionalityInquiry,
  functionalityReply [TAG: 5] FunctionalityReply }

Inquiry ::= SEQUENCE {
  inquiryHeader InquiryHeader,
  inquiryData   InquiryData }

InquiryHeader ::= [ TAG: APPLICATION 0 ] IMPLICIT SET {
  originatingTerminalCode [ATTRIBUTE] [TAG: 0]  IMPLICIT E115String (SIZE(8)),
  dateAndTime              [ATTRIBUTE] [TAG: 1]  IMPLICIT DateAndTime      OPTIONAL,
  messageNumber            [ATTRIBUTE] [TAG: 2]  IMPLICIT E115String (SIZE(4)) OPTIONAL,
  directory                 [ATTRIBUTE] [TAG: 3]  IMPLICIT E115StringUb256  OPTIONAL,
  inquiryCharacterSubset   [ATTRIBUTE] [TAG: 4]  IMPLICIT CharacterSubset   DEFAULT
basic,
  replyCharacterSubset     [ATTRIBUTE] [TAG: 5]  IMPLICIT CharacterSubset   DEFAULT
latin1,
  requestedReplyType       [ATTRIBUTE] [TAG: 6]  IMPLICIT ENUMERATED {
    subscriberList        (0),
    provinceList          (1),
    localityList          (2),
    streetList            (3),
    businessCategoryList (4)} DEFAULT subscriberList,
  inquiryLanguage          [ATTRIBUTE] [TAG: 7]  IMPLICIT E115String (SIZE(3)) OPTIONAL,
  replyLanguage            [ATTRIBUTE] [TAG: 8]  IMPLICIT E115String (SIZE(3)) OPTIONAL,
  acceptedReplyTypes       [TAG: 10] IMPLICIT SET {
    provinceList          [ATTRIBUTE] [TAG: 0]  IMPLICIT BOOLEAN DEFAULT FALSE,
    localityList          [ATTRIBUTE] [TAG: 1]  IMPLICIT BOOLEAN DEFAULT FALSE,
    streetList            [ATTRIBUTE] [TAG: 2]  IMPLICIT BOOLEAN DEFAULT FALSE,
    businessCategoryList [ATTRIBUTE] [TAG: 3]  IMPLICIT BOOLEAN DEFAULT FALSE },
  inquiryCoordinateType    [TAG: 11] IMPLICIT SET {
    geodeticDatum         [ATTRIBUTE] [TAG: 0]  IMPLICIT E115StringUb256,
    geographicalType       [ATTRIBUTE] [TAG: 1]  IMPLICIT GeographicalType } OPTIONAL,
  replyCoordinateType      [TAG: 12] IMPLICIT SET {
    geodeticDatum         [ATTRIBUTE] [TAG: 0]  IMPLICIT E115StringUb256,
    geographicalType       [ATTRIBUTE] [TAG: 1]  IMPLICIT GeographicalType } OPTIONAL }

InquiryData ::= [ TAG: APPLICATION 1 ] IMPLICIT SET {
  sequenceNumber           [ATTRIBUTE] [TAG: 0]  IMPLICIT
    E115NumericString (SIZE(1..2)) DEFAULT "0",
  geoExpansion              [ATTRIBUTE] [TAG: 1]  IMPLICIT
    E115NumericString (SIZE(1..3)) OPTIONAL,
  maxSelectionLevel        [ATTRIBUTE] [TAG: 2]  IMPLICIT
    E115NumericString (SIZE(1..3)) DEFAULT "99",
  subscriberName           [TAG: 10]  IMPLICIT E115StringUb256 OPTIONAL,
  forename                 [TAG: 11]  IMPLICIT E115StringUb256 OPTIONAL,
  countryCode               [TAG: 12]  IMPLICIT CountryCode      OPTIONAL,
  countyStateOrProvince    [TAG: 13]  IMPLICIT E115StringUb256 OPTIONAL,
  localityName              [TAG: 14]  IMPLICIT E115StringUb256 OPTIONAL,
  postalCode                [TAG: 15]  IMPLICIT E115StringUb256 OPTIONAL,
  streetName                [TAG: 16]  IMPLICIT E115StringUb256 OPTIONAL,
  houseNumber               [TAG: 17]  IMPLICIT E115StringUb256 OPTIONAL,
  headingInTheGuide        [TAG: 18]  IMPLICIT E115StringUb256 OPTIONAL,
  additionalName           [TAG: 19]  IMPLICIT E115StringUb256 OPTIONAL,
  professionCode           [TAG: 20]  IMPLICIT E115StringUb256 OPTIONAL,
  category                 [TAG: 21]  IMPLICIT SET {
    COMPONENTS OF Categories } OPTIONAL,
  nationalDestinationCode  [TAG: 22]  IMPLICIT E115NumericString(SIZE(1..14)) OPTIONAL,
  commAddress              [TAG: 23]  IMPLICIT E115StringUb256 OPTIONAL,

```

```

commAddressTypes      [TAG: 24] IMPLICIT SET {
    COMPONENTS OF CommAddressTypes } OPTIONAL,
commAddressService    [TAG: 25] IMPLICIT SET {
    COMPONENTS OF CommAddressService } OPTIONAL,
commAddressChar       [TAG: 26] IMPLICIT SET {
    COMPONENTS OF InquiryCommAddressChar } OPTIONAL,
searchCoordinate      [TAG: 27] IMPLICIT SET {
    COMPONENTS OF Coordinate } OPTIONAL,
searchRadius          [TAG: 28] IMPLICIT NumericString (SIZE(1..9)) OPTIONAL,
matchingRule         [TAG: 29] IMPLICIT SEQUENCE {
    wordRotation       [ATTRIBUTE] [TAG: 0] IMPLICIT BOOLEAN OPTIONAL,
    phonetic           [ATTRIBUTE] [TAG: 1] IMPLICIT BOOLEAN OPTIONAL,
    alias              [ATTRIBUTE] [TAG: 2] IMPLICIT BOOLEAN OPTIONAL } OPTIONAL }

Reply ::= SEQUENCE {
    replyHeader ReplyHeader,
    base CHOICE {
        subscriberList [TAG: APPLICATION 4] IMPLICIT SubscriberList,
        localityList   [TAG: APPLICATION 5] IMPLICIT LocalityList,
        businessCategoryList [TAG: APPLICATION 6] IMPLICIT BusinessCategoryList,
        streetList     [TAG: APPLICATION 7] IMPLICIT StreetList,
        provinceList   [TAG: APPLICATION 8] IMPLICIT ProvinceList } OPTIONAL }

ReplyHeader ::= [TAG: APPLICATION 3] IMPLICIT SET {
    originatingTerminalCode [ATTRIBUTE] [TAG: 0] IMPLICIT E115String (SIZE(8)),
    dateAndTime              [ATTRIBUTE] [TAG: 1] IMPLICIT DateAndTime OPTIONAL,
    messageNumber            [ATTRIBUTE] [TAG: 2] IMPLICIT E115String (SIZE(4)) OPTIONAL,
    messageCode              [ATTRIBUTE] [TAG: 3] IMPLICIT E115String (SIZE(2)),
    totalAvailableListings  [ATTRIBUTE] [TAG: 4] IMPLICIT E115String (SIZE(1..10))
        OPTIONAL,
    directory                [ATTRIBUTE] [TAG: 5] IMPLICIT E115StringUb256 OPTIONAL,
    version                  [ATTRIBUTE] [TAG: 6] IMPLICIT Version OPTIONAL,
    message                  [TAG: 10] IMPLICIT E115StringUb256 OPTIONAL,
    replyCoordinateType     [TAG: 11] IMPLICIT SET {
        COMPONENTS OF CoordinateTypeDescription } OPTIONAL,
    searchCenter            [TAG: 12] IMPLICIT SET {
        COMPONENTS OF Coordinate } OPTIONAL }

SubscriberList ::= SEQUENCE OF subscriber Subscriber

LocalityList ::= SEQUENCE OF Locality

BusinessCategoryList ::= SEQUENCE OF BusinessCategory

StreetList ::= SEQUENCE OF Street

ProvinceList ::= SEQUENCE OF Province

Subscriber ::= SET {
    indentLevel [ATTRIBUTE] [TAG: 0] IMPLICIT
        E115NumericString (SIZE(1..3)) DEFAULT "0",
    priority [ATTRIBUTE] [TAG: 1] IMPLICIT
        E115NumericString (SIZE(1..2)) OPTIONAL,
    commAddresses [TAG: 10] IMPLICIT CommAddresses OPTIONAL,
    subscriberName [TAG: 11] IMPLICIT E115StringUb256 OPTIONAL,
    forename [TAG: 12] IMPLICIT E115StringUb256 OPTIONAL,
    countryCode [TAG: 13] IMPLICIT CountryCode OPTIONAL,
    countyStateOrProvince [TAG: 14] IMPLICIT E115StringUb256 OPTIONAL,
    localityName [TAG: 15] IMPLICIT E115StringUb256 OPTIONAL,
    postalCode [TAG: 16] IMPLICIT E115StringUb256 OPTIONAL,
    streetName [TAG: 17] IMPLICIT E115StringUb256 OPTIONAL,
    houseNumber [TAG: 18] IMPLICIT E115StringUb256 OPTIONAL,
    headingInTheGuide [TAG: 19] IMPLICIT E115StringUb256 OPTIONAL,
    additionalName [TAG: 20] IMPLICIT E115StringUb256 OPTIONAL,
    professionCode [TAG: 21] IMPLICIT E115StringUb256 OPTIONAL,
    supplementaryData [TAG: 22] IMPLICIT E115StringUb256 OPTIONAL,
    subscriberMessage [TAG: 23] IMPLICIT E115StringUb256 OPTIONAL,
    subscriberDescription [TAG: 24] IMPLICIT E115StringUb256 OPTIONAL,
    category [TAG: 25] IMPLICIT SET {
        COMPONENTS OF Categories } OPTIONAL,
    distance [TAG: 26] IMPLICIT E115StringUb256 OPTIONAL,

```



```

replyCoordinate          [TAG: 27] IMPLICIT SET {
                          COMPONENTS OF Coordinate }          OPTIONAL }

CommAddresses ::= SEQUENCE (SIZE(1..MAX)) OF CHOICE {
  phone                  [TAG: 0] IMPLICIT SET {
    COMPONENTS OF
    restriction          [ATTRIBUTE] ENUMERATED {
                          disclose (1),
                          nonDisclose (2) } DEFAULT disclose,
    countryCallingCode   [TAG: 20] IMPLICIT E115NumericString (SIZE(1..3)),
    nationalDestinationCode [TAG: 21] IMPLICIT E115NumericString (SIZE(1..14))
  OPTIONAL,
  number                 [TAG: 22] IMPLICIT E115StringUb256,
  phoneService          [TAG: 23] IMPLICIT SET { COMPONENTS OF PhoneService }
    OPTIONAL },
  email                  [TAG: 1] IMPLICIT SEQUENCE {
    nmk                  [ATTRIBUTE] BOOLEAN OPTIONAL,
    restriction          [ATTRIBUTE] ENUMERATED {
                          disclose (1),
                          nonDisclose (2) } DEFAULT disclose,
    base                 [UNTAGGED] E115StringUb256 },
  uri                   [TAG: 2] IMPLICIT SEQUENCE {
    restriction          [ATTRIBUTE] ENUMERATED {
                          disclose (1),
                          nonDisclose (2) } DEFAULT disclose,
    base                 [UNTAGGED] E115StringUb256 } }

Locality ::= SET {
  countryCode            [TAG: 10] IMPLICIT CountryCode          OPTIONAL,
  countyStateOrProvince [TAG: 11] IMPLICIT E115StringUb256        OPTIONAL,
  localityName          [TAG: 12] IMPLICIT E115StringUb256,
  postalCode            [TAG: 13] IMPLICIT E115StringUb256        OPTIONAL,
  nationalDestinationCode [TAG: 14] IMPLICIT NationalDestinationCode OPTIONAL,
  supplementaryData      [TAG: 22] IMPLICIT E115StringUb256        OPTIONAL,
  distance              [TAG: 26] IMPLICIT E115StringUb256        OPTIONAL,
  replyCoordinate       [TAG: 27] IMPLICIT SET {
    COMPONENTS OF Coordinate }          OPTIONAL }

BusinessCategory ::= SET {
  countryCode            [TAG: 10] IMPLICIT CountryCode          OPTIONAL,
  countyStateOrProvince [TAG: 11] IMPLICIT E115StringUb256        OPTIONAL,
  localityName          [TAG: 12] IMPLICIT E115StringUb256,
  postalCode            [TAG: 13] IMPLICIT E115StringUb256        OPTIONAL,
  headingInTheGuide     [TAG: 14] IMPLICIT E115StringUb256,
  supplementaryData      [TAG: 15] IMPLICIT E115StringUb256        OPTIONAL,
  count                 [TAG: 16] IMPLICIT E115NumericString     OPTIONAL }

Street ::= SET {
  countryCode            [TAG: 10] IMPLICIT CountryCode          OPTIONAL,
  countyStateOrProvince [TAG: 11] IMPLICIT E115StringUb256        OPTIONAL,
  localityName          [TAG: 12] IMPLICIT E115StringUb256        OPTIONAL,
  postalCode            [TAG: 13] IMPLICIT E115StringUb256        OPTIONAL,
  streetName            [TAG: 14] IMPLICIT E115StringUb256,
  supplementaryData      [TAG: 15] IMPLICIT E115StringUb256        OPTIONAL,
  replyCoordinate       [TAG: 16] IMPLICIT SET {
    COMPONENTS OF Coordinate }          OPTIONAL }

Province ::= SET {
  countryCode            [TAG: 13] IMPLICIT CountryCode          OPTIONAL,
  countyStateOrProvince [TAG: 14] IMPLICIT E115StringUb256,
  postalCode            [TAG: 16] IMPLICIT E115StringUb256        OPTIONAL,
  supplementaryData      [TAG: 22] IMPLICIT E115StringUb256        OPTIONAL,
  replyCoordinate       [TAG: 27] IMPLICIT SET {
    COMPONENTS OF Coordinate }          OPTIONAL }

DirectoryInquiry ::= SEQUENCE {
  directoryInquiryHeader DirectoryInquiryHeader,
  directoryInquiryData   DirectoryInquiryData OPTIONAL }

DirectoryInquiryHeader ::= [TAG: APPLICATION 9] IMPLICIT SET {
  originatingTerminalCode [ATTRIBUTE] [TAG: 0] IMPLICIT E115String (SIZE(8)),

```

```

dateAndTime          [ATTRIBUTE] [TAG: 1]  IMPLICIT DateAndTime          OPTIONAL,
messageNumber        [ATTRIBUTE] [TAG: 2]  IMPLICIT E115String (SIZE(4))  OPTIONAL,
directory            [ATTRIBUTE] [TAG: 3]  IMPLICIT E115StringUb256      OPTIONAL }

DirectoryInquiryData ::= [ TAG: APPLICATION 10 ]  IMPLICIT SET {
  countryCode CountryCode OPTIONAL }

DirectoryReply ::= SEQUENCE {
  directoryReplyHeader DirectoryReplyHeader,
  directoryReplyData  DirectoryReplyData OPTIONAL }

DirectoryReplyHeader ::= [TAG: APPLICATION 11] IMPLICIT SET {
  originatingTerminalCode [ATTRIBUTE] [TAG: 0]  IMPLICIT E115String (SIZE(8)),
  dateAndTime             [ATTRIBUTE] [TAG: 1]  IMPLICIT DateAndTime          OPTIONAL,
  messageNumber           [ATTRIBUTE] [TAG: 2]  IMPLICIT E115String (SIZE(4))  OPTIONAL,
  messageCode             [ATTRIBUTE] [TAG: 3]  IMPLICIT E115String (SIZE(2)),
  directory               [ATTRIBUTE] [TAG: 4]  IMPLICIT E115StringUb256      OPTIONAL,
  version                 [ATTRIBUTE] [TAG: 5]  IMPLICIT Version                OPTIONAL }

DirectoryReplyData ::= [TAG: APPLICATION 12] IMPLICIT SEQUENCE OF
  directory SEQUENCE {
    name [ATTRIBUTE] [TAG: 0]  IMPLICIT E115StringUb256,
    availability [ATTRIBUTE] [TAG: 1]  IMPLICIT ENUMERATED {
      available (0),
      unavailable (1),
      unknown (2),
      blocked (3) } OPTIONAL,
    functionalityActiveSince [ATTRIBUTE] [TAG: 2]  IMPLICIT DateAndTime OPTIONAL,
    base [UNTAGGED] SEQUENCE OF
      countryCode CountryCode }

FunctionalityInquiry ::= SEQUENCE {
  functionalityInquiryHeader [TAG: APPLICATION 13] IMPLICIT SET {
    originatingTerminalCode [ATTRIBUTE] [TAG: 0]  IMPLICIT E115String (SIZE(8)),
    dateAndTime [ATTRIBUTE] [TAG: 1]  IMPLICIT DateAndTime
      OPTIONAL,
    messageNumber [ATTRIBUTE] [TAG: 2]  IMPLICIT E115String (SIZE(4))
      OPTIONAL,
    directory [ATTRIBUTE] [TAG: 3]  IMPLICIT E115StringUb256
      OPTIONAL } }

FunctionalityReply ::= SEQUENCE {
  functionalityReplyHeader FunctionalityReplyHeader,
  functionalityReplyData  FunctionalityReplyData OPTIONAL }

FunctionalityReplyHeader ::= [TAG: APPLICATION 15] IMPLICIT SET {
  originatingTerminalCode [ATTRIBUTE] [TAG: 0]  IMPLICIT E115String (SIZE(8)),
  dateAndTime [ATTRIBUTE] [TAG: 1]  IMPLICIT DateAndTime          OPTIONAL,
  messageNumber [ATTRIBUTE] [TAG: 2]  IMPLICIT E115String (SIZE(4))  OPTIONAL,
  messageCode [ATTRIBUTE] [TAG: 3]  IMPLICIT E115String (SIZE(2)),
  directory [ATTRIBUTE] [TAG: 4]  IMPLICIT E115StringUb256      OPTIONAL,
  version [ATTRIBUTE] [TAG: 5]  IMPLICIT Version                OPTIONAL }

FunctionalityReplyData ::= SEQUENCE OF
  functionality SEQUENCE {
    directory [ATTRIBUTE] [TAG: 0]  IMPLICIT E115StringUb256          OPTIONAL,
    version [ATTRIBUTE] [TAG: 1]  IMPLICIT Version          OPTIONAL,
    base [UNTAGGED] SEQUENCE OF
      supportedList SET {
        listType [ATTRIBUTE] [TAG: 0]  IMPLICIT ENUMERATED {
          subscriberList (0),
          localityList (1),
          businessCategoryList (2),
          streetList (3),
          provinceList (4) },
        defaultCategoryCombination [TAG:10] IMPLICIT SET {
          business [TAG: 0]  IMPLICIT BOOLEAN,
          residential [TAG: 1]  IMPLICIT BOOLEAN,
          government [TAG: 2]  IMPLICIT BOOLEAN } OPTIONAL,
        defaultMatchingRuleCombinations [TAG: 11] SEQUENCE (SIZE(1..8)) OF
          defaultMatchingRuleCombination SEQUENCE {

```

```

wordRotation      [ATTRIBUTE] [TAG: 0]  IMPLICIT BOOLEAN,
phonetic          [ATTRIBUTE] [TAG: 1]  IMPLICIT BOOLEAN,
alias             [ATTRIBUTE] [TAG: 2]  IMPLICIT BOOLEAN,
base              [UNTAGGED] SEQUENCE (SIZE(1..6)) OF
  category        SET {
    business       [TAG: 0]  IMPLICIT BOOLEAN,
    residential    [TAG: 1]  IMPLICIT BOOLEAN,
    government     [TAG: 2]  IMPLICIT BOOLEAN } } OPTIONAL,
supportedMatchingRuleCombinations [TAG: 12] SEQUENCE (SIZE(1..8)) OF
  supportedMatchingRuleCombination SEQUENCE {
    wordRotation   [ATTRIBUTE] [TAG: 0]  IMPLICIT BOOLEAN,
    phonetic       [ATTRIBUTE] [TAG: 1]  IMPLICIT BOOLEAN,
    alias          [ATTRIBUTE] [TAG: 2]  IMPLICIT BOOLEAN,
    base           [UNTAGGED] SEQUENCE (SIZE(1..6)) OF
      category     SET {
        business   [TAG: 0]  IMPLICIT BOOLEAN,
        residential [TAG: 1]  IMPLICIT BOOLEAN,
        government [TAG: 2]  IMPLICIT BOOLEAN } } OPTIONAL,
defaultCharacterSubsetCombination [TAG: 13]  IMPLICIT SEQUENCE {
  inquiryCharacterSubset [ATTRIBUTE] [TAG: 0] IMPLICIT CharacterSubset,
  replyCharacterSubset   [ATTRIBUTE] [TAG: 1] IMPLICIT CharacterSubset }
  OPTIONAL,
supportedCharacterSubsetCombinations [TAG: 14] IMPLICIT SEQUENCE (SIZE(1..MAX)) OF
  supportedCharacterSubsetCombination SEQUENCE {
    inquiryCharacterSubset [ATTRIBUTE] [TAG: 0] IMPLICIT CharacterSubset,
    replyCharacterSubset   [ATTRIBUTE] [TAG: 1] IMPLICIT CharacterSubset }
    OPTIONAL,
defaultLanguageCombination [TAG: 15] IMPLICIT SEQUENCE {
  inquiryLanguage [ATTRIBUTE] [TAG: 0]  E115String (SIZE(3)),
  replyLanguage   [ATTRIBUTE] [TAG: 1]  E115String (SIZE(3))
  OPTIONAL},
supportedLanguageCombinations [TAG: 16] IMPLICIT SEQUENCE (SIZE(1..MAX)) OF
  supportedLanguageCombination SEQUENCE {
    inquiryLanguage [ATTRIBUTE] [TAG: 0]  E115String (SIZE(3)),
    replyLanguage   [ATTRIBUTE] [TAG: 1]  E115String (SIZE(3)) }
    OPTIONAL,
defaultCoordinateTypeCombination [TAG: 17] IMPLICIT SEQUENCE {
  inquiryCoordinateType [TAG: 0]  IMPLICIT SET {
    geodeticDatum [ATTRIBUTE] GeodeticDatum,
    geographicalType [ATTRIBUTE] GeographicalType } OPTIONAL,
  replyCoordinateType [TAG: 1]  IMPLICIT SET {
    geodeticDatum [ATTRIBUTE] GeodeticDatum,
    geographicalType [ATTRIBUTE] GeographicalType } OPTIONAL } OPTIONAL,
supportedCoordinateTypeCombinations [TAG: 18] IMPLICIT SEQUENCE (SIZE(1..MAX)) OF
  supportedCoordinateTypeCombination SET {
    inquiryCoordinateType [TAG: 0]  IMPLICIT SET {
      geodeticDatum [ATTRIBUTE] GeodeticDatum,
      geographicalType [ATTRIBUTE] GeographicalType } OPTIONAL,
    replyCoordinateType [TAG: 1]  IMPLICIT SET {
      geodeticDatum [ATTRIBUTE] GeodeticDatum,
      geographicalType [ATTRIBUTE] GeographicalType } OPTIONAL } OPTIONAL,
supportedCombinations [TAG: 19] IMPLICIT SEQUENCE (SIZE(1..MAX)) OF
  supportedCombination SupportedCombination OPTIONAL
}
}

```

```

SupportedCombination ::= SET {
  applicableCategoryCombinations [TAG: 0] IMPLICIT SEQUENCE (SIZE(1..MAX)) OF
    applicableCategoryCombination SET {
      business [ATTRIBUTE] [TAG: 0]  BOOLEAN,
      residential [ATTRIBUTE] [TAG: 1]  BOOLEAN,
      government [ATTRIBUTE] [TAG: 2]  BOOLEAN } OPTIONAL,
  inquiryCharacterSubsetField [TAG: 1]  IMPLICIT SET {
    mandatory [ATTRIBUTE] [TAG: 0] IMPLICIT BOOLEAN } OPTIONAL,
  replyCharacterSubsetField [TAG: 2]  IMPLICIT SET {
    mandatory [ATTRIBUTE] [TAG: 0] IMPLICIT BOOLEAN } OPTIONAL,
  inquiryCoordinateTypeField [TAG: 3]  IMPLICIT SET {
    mandatory [ATTRIBUTE] [TAG: 0] IMPLICIT BOOLEAN } OPTIONAL,
  replyCoordinateTypeField [TAG: 4]  IMPLICIT SET {
    mandatory [ATTRIBUTE] [TAG: 0] IMPLICIT BOOLEAN } OPTIONAL,
  inquiryLanguageField [TAG: 5]  IMPLICIT SET {

```

```

    mandatory          [ATTRIBUTE] [TAG: 0] IMPLICIT BOOLEAN } OPTIONAL,
replyLanguageField    [TAG: 6] IMPLICIT SET {
    mandatory          [ATTRIBUTE] [TAG: 0] IMPLICIT BOOLEAN } OPTIONAL,
subscriberNameField   [TAG: 7] IMPLICIT SET {
    COMPONENTS OF StringCharacteristics } OPTIONAL,
countryCodeField     [TAG: 8] IMPLICIT SET {
    mandatory          [ATTRIBUTE] [TAG: 0] IMPLICIT BOOLEAN } OPTIONAL,
countyStateOrProvinceField [TAG: 9] IMPLICIT SET {
    COMPONENTS OF StringCharacteristics } OPTIONAL,
localityNameField     [TAG: 10] IMPLICIT SET {
    COMPONENTS OF StringCharacteristics } OPTIONAL,
postalCodeField       [TAG: 11] IMPLICIT SET {
    COMPONENTS OF StringCharacteristics } OPTIONAL,
streetNameField       [TAG: 12] IMPLICIT SET {
    COMPONENTS OF StringCharacteristics } OPTIONAL,
houseNumberField      [TAG: 13] IMPLICIT SET {
    mandatory          [ATTRIBUTE] [TAG: 0] IMPLICIT BOOLEAN } OPTIONAL,
forenameField         [TAG: 14] IMPLICIT SET {
    COMPONENTS OF StringCharacteristics } OPTIONAL,
headingInTheGuideField [TAG: 15] IMPLICIT SET {
    COMPONENTS OF StringCharacteristics } OPTIONAL,
additionalNameField   [TAG: 16] IMPLICIT SET {
    COMPONENTS OF StringCharacteristics } OPTIONAL,
professionCodeField   [TAG: 17] IMPLICIT SET {
    COMPONENTS OF StringCharacteristics } OPTIONAL,
categoryField         [TAG: 18] IMPLICIT SET {
    mandatory          [ATTRIBUTE] [TAG: 0] IMPLICIT BOOLEAN } OPTIONAL,
sequenceNumberField   [TAG: 19] IMPLICIT SET {
    COMPONENTS OF StringCharacteristics } OPTIONAL,
nationalDestinationCodeField [TAG: 20] IMPLICIT SET {
    COMPONENTS OF StringCharacteristics } OPTIONAL,
commAddressField      [TAG: 21] IMPLICIT SET {
    COMPONENTS OF StringCharacteristics } OPTIONAL,
commAddressTypeField [TAG: 22] IMPLICIT SET {
    mandatory          [ATTRIBUTE] [TAG: 0] IMPLICIT BOOLEAN,
    phone              [ATTRIBUTE] [TAG: 1] IMPLICIT BOOLEAN,
    email              [ATTRIBUTE] [TAG: 2] IMPLICIT BOOLEAN,
    uri                [ATTRIBUTE] [TAG: 3] IMPLICIT BOOLEAN } OPTIONAL,
commAddressServiceField [TAG: 23] IMPLICIT SET {
    mandatory          [ATTRIBUTE] [TAG: 0] IMPLICIT BOOLEAN,
    COMPONENTS OF CommAddressServiceReq } OPTIONAL,
commAddressCharField [TAG: 24] IMPLICIT SET {
    mandatory          [ATTRIBUTE] [TAG: 0] IMPLICIT BOOLEAN,
    ftn                [ATTRIBUTE] [TAG: 1] IMPLICIT BOOLEAN,
    mob                [ATTRIBUTE] [TAG: 2] IMPLICIT BOOLEAN,
    fixed              [ATTRIBUTE] [TAG: 3] IMPLICIT BOOLEAN } OPTIONAL,
geoExpansionField     [TAG: 25] IMPLICIT SET {
    mandatory          [ATTRIBUTE] [TAG: 0] IMPLICIT BOOLEAN } OPTIONAL,
searchCoordinateField [TAG: 26] IMPLICIT SET {
    mandatory          [ATTRIBUTE] [TAG: 0] IMPLICIT BOOLEAN } OPTIONAL,
searchRadiusField     [TAG: 27] IMPLICIT SET {
    mandatory          [ATTRIBUTE] [TAG: 0] IMPLICIT BOOLEAN } OPTIONAL,
matchingRuleField     [TAG: 28] IMPLICIT SET {
    mandatory          [ATTRIBUTE] [TAG: 0] IMPLICIT BOOLEAN } OPTIONAL,
selectionField        [TAG: 29] IMPLICIT SET { } OPTIONAL }

```

ENCODING-CONTROL XER

GLOBAL-DEFAULTS MODIFIED-ENCODINGS

```

TEXT CharacterSubset:ALL, GeographicalType:ALL,
    InquiryHeader.requestedReplyType:ALL,
    CommAddresses.*.phone.restriction:ALL,
    CommAddresses.*.email.restriction:ALL,
    CommAddresses.*.uri.restriction:ALL,
    DirectoryReplyData.directory.availability:ALL

```

END

Annex H

Directory assistance protocol version 2.10 in XSD

(This annex forms an integral part of this Recommendation)

This annex provides the XSD specification for the version 2.10 of the protocol. This version of the protocol is not fully backward compatible with the version 2.00 and 2.01 protocols.

```
<?xml version="1.0" encoding="UTF-8"?>
<!-- Version 2.10 -->
<xsd:schema xmlns:xsd="http://www.w3.org/2001/XMLSchema">
  <xsd:simpleType name="E115String">
    <xsd:restriction base="xsd:string"/>
  </xsd:simpleType>
  <xsd:simpleType name="E115StringUb256">
    <xsd:restriction base="E115String">
      <xsd:minLength value="1"/>
      <xsd:maxLength value="256"/>
    </xsd:restriction>
  </xsd:simpleType>
  <xsd:simpleType name="NumericString">
    <xsd:restriction base="xsd:string">
      <xsd:pattern value="[0-9]*/>
    </xsd:restriction>
  </xsd:simpleType>
  <xsd:simpleType name="CharacterSubSet">
    <xsd:restriction base="xsd:Ncname">
      <xsd:enumeration value="basic"/>
      <xsd:enumeration value="latin1"/>
      <xsd:enumeration value="latin-ext"/>
      <xsd:enumeration value="cyrillic"/>
      <xsd:enumeration value="greek"/>
      <xsd:enumeration value="arabic"/>
    </xsd:restriction>
  </xsd:simpleType>
  <xsd:simpleType name="GeographicalType">
    <xsd:restriction base="xsd:Ncname">
      <xsd:enumeration value="dms"/>
      <xsd:enumeration value="dd"/>
      <xsd:enumeration value="dec"/>
    </xsd:restriction>
  </xsd:simpleType>
  <xsd:simpleType name="GeodeticDatum">
    <xsd:restriction base="E115StringUb256"/>
  </xsd:simpleType>
  <xsd:simpleType name="CountryCode">
    <xsd:restriction base="xsd:token">
      <xsd:length value="2"/>
    </xsd:restriction>
  </xsd:simpleType>
  <xsd:simpleType name="NationalDestinationCode">
    <xsd:restriction base="NumericString">
      <xsd:minLength value="1"/>
      <xsd:maxLength value="14"/>
    </xsd:restriction>
  </xsd:simpleType>
  <xsd:attributeGroup name="CoordinateTypeDescription">
    <xsd:attribute name="geodeticDatum" type="GeodeticDatum" use="required"/>
    <xsd:attribute name="geographicalType" type="GeographicalType" use="required"/>
  </xsd:attributeGroup>
  <xsd:attributeGroup name="Coordinate">
    <xsd:attribute name="latitude" type="E115StringUb256" use="required"/>
    <xsd:attribute name="longitude" type="E115StringUb256" use="required"/>
  </xsd:attributeGroup>
  <xsd:attributeGroup name="CommAddressService">
    <xsd:attribute name="fax" type="xsd:boolean" use="optional" default="false"/>
    <xsd:attribute name="pbx" type="xsd:boolean" use="optional" default="false"/>
  </xsd:attributeGroup>
</xsd:schema>
```

```

<xsd:attribute name="txt" type="xsd:boolean" use="optional" default="false"/>
<xsd:attribute name="pub" type="xsd:boolean" use="optional" default="false"/>
<xsd:attribute name="vid" type="xsd:boolean" use="optional" default="false"/>
<xsd:attribute name="pag" type="xsd:boolean" use="optional" default="false"/>
<xsd:attribute name="voice" type="xsd:boolean" use="optional" default="false"/>
<xsd:attribute name="data" type="xsd:boolean" use="optional" default="false"/>
<xsd:attribute name="http" type="xsd:boolean" use="optional" default="false"/>
<xsd:attribute name="ftp" type="xsd:boolean" use="optional" default="false"/>
<xsd:attribute name="eml" type="xsd:boolean" use="optional" default="false"/>
<xsd:attribute name="sms" type="xsd:boolean" use="optional" default="false"/>
<xsd:attribute name="mms" type="xsd:boolean" use="optional" default="false"/>
<xsd:attribute name="emg" type="xsd:boolean" use="optional" default="false"/>
</xsd:attributeGroup>
<xsd:attributeGroup name="CommAddressServiceReq">
  <xsd:attribute name="fax" type="xsd:boolean" use="required"/>
  <xsd:attribute name="pbx" type="xsd:boolean" use="required"/>
  <xsd:attribute name="txt" type="xsd:boolean" use="required"/>
  <xsd:attribute name="pub" type="xsd:boolean" use="required"/>
  <xsd:attribute name="vid" type="xsd:boolean" use="required"/>
  <xsd:attribute name="pag" type="xsd:boolean" use="required"/>
  <xsd:attribute name="voice" type="xsd:boolean" use="required"/>
  <xsd:attribute name="data" type="xsd:boolean" use="required"/>
  <xsd:attribute name="http" type="xsd:boolean" use="required"/>
  <xsd:attribute name="ftp" type="xsd:boolean" use="required"/>
  <xsd:attribute name="eml" type="xsd:boolean" use="required"/>
  <xsd:attribute name="sms" type="xsd:boolean" use="required"/>
  <xsd:attribute name="mms" type="xsd:boolean" use="required"/>
  <xsd:attribute name="emg" type="xsd:boolean" use="required"/>
</xsd:attributeGroup>
<xsd:attributeGroup name="CommAddressTypes">
  <xsd:attribute name="phone" type="xsd:boolean" use="optional" default="false"/>
  <xsd:attribute name="email" type="xsd:boolean" use="optional" default="false"/>
  <xsd:attribute name="uri" type="xsd:boolean" use="optional" default="false"/>
</xsd:attributeGroup>
<xsd:attributeGroup name="PhoneService">
  <xsd:attribute name="fax" type="xsd:boolean" use="optional" default="false"/>
  <xsd:attribute name="pbx" type="xsd:boolean" use="optional" default="false"/>
  <xsd:attribute name="txt" type="xsd:boolean" use="optional" default="false"/>
  <xsd:attribute name="pub" type="xsd:boolean" use="optional" default="false"/>
  <xsd:attribute name="vid" type="xsd:boolean" use="optional" default="false"/>
  <xsd:attribute name="pag" type="xsd:boolean" use="optional" default="false"/>
  <xsd:attribute name="voice" type="xsd:boolean" use="optional" default="false"/>
  <xsd:attribute name="data" type="xsd:boolean" use="optional" default="false"/>
  <xsd:attribute name="sms" type="xsd:boolean" use="optional" default="false"/>
  <xsd:attribute name="mms" type="xsd:boolean" use="optional" default="false"/>
  <xsd:attribute name="emg" type="xsd:boolean" use="optional" default="false"/>
</xsd:attributeGroup>
<xsd:attributeGroup name="InquiryPhoneChar">
  <xsd:attribute name="ftn" type="xsd:boolean" use="optional" default="false"/>
  <xsd:attribute name="mob" type="xsd:boolean" use="optional" default="false"/>
  <xsd:attribute name="fixed" type="xsd:boolean" use="optional" default="false"/>
</xsd:attributeGroup>
<xsd:attributeGroup name="ReplyPhoneChar">
  <xsd:attributeGroup ref="InquiryPhoneChar"/>
  <xsd:attribute name="prn" type="xsd:boolean" use="optional" default="false"/>
  <xsd:attribute name="nprn" type="xsd:boolean" use="optional" default="false"/>
  <xsd:attribute name="upn" type="xsd:boolean" use="optional" default="false"/>
  <xsd:attribute name="old" type="xsd:boolean" use="optional" default="false"/>
  <xsd:attribute name="adv" type="xsd:boolean" use="optional" default="false"/>
  <xsd:attribute name="nmk" type="xsd:boolean" use="optional" default="false"/>
</xsd:attributeGroup>
<xsd:attributeGroup name="GeneralChar">
  <xsd:attribute name="restriction" use="optional" default="disclose">
    <xsd:simpleType>
      <xsd:restriction base="xsd:NCName">
        <xsd:enumeration value="disclose"/>
        <xsd:enumeration value="nonDisclose"/>
      </xsd:restriction>
    </xsd:simpleType>
  </xsd:attribute>
</xsd:attributeGroup>

```

```

<xsd:attributeGroup name="CategoriesReq">
  <xsd:attribute name="business" type="xsd:boolean" use="required"/>
  <xsd:attribute name="residential" type="xsd:boolean" use="required"/>
  <xsd:attribute name="government" type="xsd:boolean" use="required"/>
</xsd:attributeGroup>
<xsd:attributeGroup name="Categories">
  <xsd:attribute name="business" type="xsd:boolean" use="optional" default="false"/>
  <xsd:attribute name="residential" type="xsd:boolean" use="optional"
    default="false"/>
  <xsd:attribute name="government" type="xsd:boolean" use="optional"
    default="false"/>
</xsd:attributeGroup>
<xsd:complexType name="E115Message">
  <xsd:choice>
    <xsd:element name="directoryMessage" type="DirectoryMessage"/>
  </xsd:choice>
</xsd:complexType>
<xsd:complexType name="DirectoryMessage">
  <xsd:choice>
    <xsd:element name="inquiry" type="Inquiry"/>
    <xsd:element name="reply" type="Reply"/>
    <xsd:element name="directoryInquiry" type="DirectoryInquiry"/>
    <xsd:element name="directoryReply" type="DirectoryReply"/>
    <xsd:element name="functionalityInquiry" type="FunctionalityInquiry"/>
    <xsd:element name="functionalityReply" type="FunctionalityReply"/>
  </xsd:choice>
</xsd:complexType>
<xsd:complexType name="Inquiry">
  <xsd:sequence>
    <xsd:element name="inquiryHeader" type="InquiryHeader"/>
    <xsd:element name="inquiryData" type="InquiryData"/>
  </xsd:sequence>
</xsd:complexType>
<xsd:complexType name="InquiryHeader">
  <xsd:all>
    <xsd:element name="acceptedReplyTypes" minOccurs="0">
      <xsd:complexType>
        <xsd:attribute name="provinceList" type="xsd:boolean" use="optional"
          default="false"/>
        <xsd:attribute name="localityList" type="xsd:boolean" use="optional"
          default="false"/>
        <xsd:attribute name="streetList" type="xsd:boolean" use="optional"
          default="false"/>
        <xsd:attribute name="businessCategoryList" type="xsd:boolean" use="optional"
          default="false"/>
      </xsd:complexType>
    </xsd:element>
    <xsd:element name="inquiryCoordinateType" minOccurs="0">
      <xsd:complexType>
        <xsd:attributeGroup ref="CoordinateTypeDescription"/>
      </xsd:complexType>
    </xsd:element>
    <xsd:element name="replyCoordinateType" minOccurs="0">
      <xsd:complexType>
        <xsd:attributeGroup ref="CoordinateTypeDescription"/>
      </xsd:complexType>
    </xsd:element>
  </xsd:all>
  <xsd:attribute name="originatingTerminalCode" use="required">
    <xsd:simpleType>
      <xsd:restriction base="E115String">
        <xsd:length value="8"/>
      </xsd:restriction>
    </xsd:simpleType>
  </xsd:attribute>
  <xsd:attribute name="dateAndTime" type="xsd:dateTime" use="optional"/>
  <xsd:attribute name="messageNumber" use="optional">
    <xsd:simpleType>
      <xsd:restriction base="E115String">
        <xsd:length value="4"/>
      </xsd:restriction>
    </xsd:simpleType>
  </xsd:attribute>

```

```

    </xsd:simpleType>
</xsd:attribute>
<xsd:attribute name="directory" type="E115StringUb256" use="optional"/>
<xsd:attribute name="inquiryCharacterSubset" type="CharacterSubSet" use="optional"
    default="basic"/>
<xsd:attribute name="replyCharacterSubset" type="CharacterSubSet" use="optional"
    default="latin1"/>
<xsd:attribute name="requestedReplyType" use="optional" default="subscriberList">
    <xsd:simpleType>
        <xsd:restriction base="xsd:NCName">
            <xsd:enumeration value="subscriberList"/>
            <xsd:enumeration value="provinceList"/>
            <xsd:enumeration value="localityList"/>
            <xsd:enumeration value="streetList"/>
            <xsd:enumeration value="businessCategoryList"/>
        </xsd:restriction>
    </xsd:simpleType>
</xsd:attribute>
<xsd:attribute name="inquiryLanguage" use="optional">
    <xsd:simpleType>
        <xsd:restriction base="xsd:NCName">
            <xsd:length value="3"/>
        </xsd:restriction>
    </xsd:simpleType>
</xsd:attribute>
<xsd:attribute name="replyLanguage" use="optional">
    <xsd:simpleType>
        <xsd:restriction base="xsd:NCName">
            <xsd:length value="3"/>
        </xsd:restriction>
    </xsd:simpleType>
</xsd:attribute>
</xsd:complexType>
<xsd:complexType name="InquiryData">
    <xsd:all>
        <xsd:element name="subscriberName" type="E115StringUb256" minOccurs="0"/>
        <xsd:element name="forename" type="E115StringUb256" minOccurs="0"/>
        <xsd:element name="countryCode" type="CountryCode" minOccurs="0"/>
        <xsd:element name="countyStateOrProvince" type="E115StringUb256" minOccurs="0"/>
        <xsd:element name="localityName" type="E115StringUb256" minOccurs="0"/>
        <xsd:element name="postalCode" type="E115StringUb256" minOccurs="0"/>
        <xsd:element name="streetName" type="E115StringUb256" minOccurs="0"/>
        <xsd:element name="houseNumber" type="E115StringUb256" minOccurs="0"/>
        <xsd:element name="headingInTheGuide" type="E115StringUb256" minOccurs="0"/>
        <xsd:element name="additionalName" type="E115StringUb256" minOccurs="0"/>
        <xsd:element name="professionCode" type="E115StringUb256" minOccurs="0"/>
        <xsd:element name="category" minOccurs="0">
            <xsd:complexType>
                <xsd:attributeGroup ref="Categories"/>
            </xsd:complexType>
        </xsd:element>
        <xsd:element name="nationalDestinationCode" type="NationalDestinationCode"
            minOccurs="0"/>
        <xsd:element name="commAddress" type="E115StringUb256" minOccurs="0"/>
        <xsd:element name="commAddressTypes" minOccurs="0">
            <xsd:complexType>
                <xsd:attributeGroup ref="CommAddressTypes"/>
            </xsd:complexType>
        </xsd:element>
        <xsd:element name="commAddressService" minOccurs="0">
            <xsd:complexType>
                <xsd:attributeGroup ref="CommAddressService"/>
            </xsd:complexType>
        </xsd:element>
        <xsd:element name="commAddressChar" minOccurs="0">
            <xsd:complexType>
                <xsd:attributeGroup ref="InquiryPhoneChar"/>
            </xsd:complexType>
        </xsd:element>
        <xsd:element name="searchCoordinate" minOccurs="0">
            <xsd:complexType>

```



```

        <xsd:attributeGroup ref="Coordinate"/>
    </xsd:complexType>
</xsd:element>
<xsd:element name="searchRadius" minOccurs="0">
    <xsd:simpleType>
        <xsd:restriction base="NumericString">
            <xsd:minLength value="1"/>
            <xsd:maxLength value="9"/>
        </xsd:restriction>
    </xsd:simpleType>
</xsd:element>
<xsd:element name="matchingRule" minOccurs="0">
    <xsd:complexType>
        <xsd:attribute name="wordRotation" type="xsd:boolean" use="optional"
            default="false"/>
        <xsd:attribute name="phonetic" type="xsd:boolean" use="optional"
            default="false"/>
        <xsd:attribute name="alias" type="xsd:boolean" use="optional"
            default="false"/>
    </xsd:complexType>
</xsd:element>
</xsd:all>
<xsd:attribute name="sequenceNumber" use="optional" default="0">
    <xsd:simpleType>
        <xsd:restriction base="NumericString">
            <xsd:minLength value="1"/>
            <xsd:maxLength value="2"/>
        </xsd:restriction>
    </xsd:simpleType>
</xsd:attribute>
<xsd:attribute name="geoExpansion" use="optional">
    <xsd:simpleType>
        <xsd:restriction base="NumericString">
            <xsd:minLength value="1"/>
            <xsd:maxLength value="3"/>
        </xsd:restriction>
    </xsd:simpleType>
</xsd:attribute>
<xsd:attribute name="maxIndentLevel" type="NumericString" use="optional"
    default="99"/>
</xsd:complexType>
<xsd:complexType name="Reply">
    <xsd:sequence>
        <xsd:element name="replyHeader" type="ReplyHeader"/>
        <xsd:choice minOccurs="0">
            <xsd:element name="subscriberList">
                <xsd:complexType>
                    <xsd:sequence>
                        <xsd:element name="subscriber" type="Subscriber" maxOccurs="unbounded"/>
                    </xsd:sequence>
                </xsd:complexType>
            </xsd:element>
            <xsd:element name="localityList">
                <xsd:complexType>
                    <xsd:sequence>
                        <xsd:element name="locality" type="Locality" maxOccurs="unbounded"/>
                    </xsd:sequence>
                </xsd:complexType>
            </xsd:element>
            <xsd:element name="businessCategoryList">
                <xsd:complexType>
                    <xsd:sequence>
                        <xsd:element name="businessCategory" type="BusinessCategory"
                            maxOccurs="unbounded"/>
                    </xsd:sequence>
                </xsd:complexType>
            </xsd:element>
            <xsd:element name="streetList">
                <xsd:complexType>
                    <xsd:sequence>
                        <xsd:element name="street" type="Street" maxOccurs="unbounded"/>
                    </xsd:sequence>
                </xsd:complexType>
            </xsd:element>
        </xsd:choice>
    </xsd:sequence>
</xsd:complexType>

```

```

        </xsd:sequence>
    </xsd:complexType>
</xsd:element>
<xsd:element name="provinceList">
    <xsd:complexType>
        <xsd:sequence>
            <xsd:element name="province" type="Province" maxOccurs="unbounded"/>
        </xsd:sequence>
    </xsd:complexType>
</xsd:element>
</xsd:choice>
</xsd:sequence>
</xsd:complexType>
<xsd:complexType name="ReplyHeader">
<xsd:all>
    <xsd:element name="message" type="E115StringUb256" minOccurs="0"/>
    <xsd:element name="replyCoordinateType" minOccurs="0">
        <xsd:complexType>
            <xsd:attributeGroup ref="CoordinateTypeDescription"/>
        </xsd:complexType>
    </xsd:element>
    <xsd:element name="searchCenter" minOccurs="0">
        <xsd:complexType>
            <xsd:attributeGroup ref="Coordinate"/>
        </xsd:complexType>
    </xsd:element>
</xsd:all>
<xsd:attribute name="originatingTerminalCode" use="required">
    <xsd:simpleType>
        <xsd:restriction base="E115String">
            <xsd:length value="8"/>
        </xsd:restriction>
    </xsd:simpleType>
</xsd:attribute>
<xsd:attribute name="dateAndTime" type="xsd:dateTime" use="optional"/>
<xsd:attribute name="messageNumber" use="optional">
    <xsd:simpleType>
        <xsd:restriction base="E115String">
            <xsd:length value="4"/>
        </xsd:restriction>
    </xsd:simpleType>
</xsd:attribute>
<xsd:attribute name="messageCode" use="required">
    <xsd:simpleType>
        <xsd:restriction base="E115String">
            <xsd:length value="2"/>
        </xsd:restriction>
    </xsd:simpleType>
</xsd:attribute>
<xsd:attribute name="totalAvailableListings" use="optional">
    <xsd:simpleType>
        <xsd:restriction base="E115String">
            <xsd:minLength value="1"/>
            <xsd:maxLength value="10"/>
        </xsd:restriction>
    </xsd:simpleType>
</xsd:attribute>
<xsd:attribute name="directory" type="E115StringUb256" use="optional"/>
<xsd:attribute name="version" use="required">
    <xsd:simpleType>
        <xsd:restriction base="NumericString">
            <xsd:length value="4"/>
        </xsd:restriction>
    </xsd:simpleType>
</xsd:attribute>
</xsd:complexType>
<xsd:complexType name="Subscriber">
<xsd:all>
    <xsd:element name="commAddresses" type="CommAddresses" minOccurs="0"/>
    <xsd:element name="subscriberName" type="E115StringUb256" minOccurs="0"/>
    <xsd:element name="forename" type="E115StringUb256" minOccurs="0"/>

```

```

<xsd:element name="countryCode" type="CountryCode" minOccurs="0"/>
<xsd:element name="countyStateOrProvince" type="E115StringUb256" minOccurs="0"/>
<xsd:element name="localityName" type="E115StringUb256" minOccurs="0"/>
<xsd:element name="postalCode" type="E115StringUb256" minOccurs="0"/>
<xsd:element name="streetName" type="E115StringUb256" minOccurs="0"/>
<xsd:element name="houseNumber" type="E115StringUb256" minOccurs="0"/>
<xsd:element name="headingInTheGuide" type="E115StringUb256" minOccurs="0"/>
<xsd:element name="additionalName" type="E115StringUb256" minOccurs="0"/>
<xsd:element name="professionCode" type="E115StringUb256" minOccurs="0"/>
<xsd:element name="supplementaryData" type="E115StringUb256" minOccurs="0"/>
<xsd:element name="subscriberMessage" type="E115StringUb256" minOccurs="0"/>
<xsd:element name="subscriberDescription" type="E115StringUb256" minOccurs="0"/>
<xsd:element name="category" minOccurs="0">
  <xsd:complexType>
    <xsd:attributeGroup ref="Categories"/>
  </xsd:complexType>
</xsd:element>
<xsd:element name="distance" type="E115StringUb256" minOccurs="0"/>
<xsd:element name="replyCoordinate" minOccurs="0">
  <xsd:complexType>
    <xsd:attributeGroup ref="Coordinate"/>
  </xsd:complexType>
</xsd:element>
</xsd:all>
<xsd:attribute name="indentLevel" use="optional" default="0">
  <xsd:simpleType>
    <xsd:restriction base="NumericString">
      <xsd:minLength value="1"/>
      <xsd:maxLength value="3"/>
    </xsd:restriction>
  </xsd:simpleType>
</xsd:attribute>
<xsd:attribute name="priority" use="optional">
  <xsd:simpleType>
    <xsd:restriction base="NumericString">
      <xsd:minLength value="1"/>
      <xsd:maxLength value="2"/>
    </xsd:restriction>
  </xsd:simpleType>
</xsd:attribute>
</xsd:complexType>
<xsd:complexType name="Locality">
  <xsd:all>
    <xsd:element name="countryCode" type="CountryCode" minOccurs="0"/>
    <xsd:element name="countyStateOrProvince" type="E115StringUb256" minOccurs="0"/>
    <xsd:element name="localityName" type="E115StringUb256"/>
    <xsd:element name="postalCode" type="E115StringUb256" minOccurs="0"/>
    <xsd:element name="nationalDestinationCode" type="NationalDestinationCode"
      minOccurs="0"/>
    <xsd:element name="supplementaryData" type="E115StringUb256" minOccurs="0"/>
    <xsd:element name="distance" type="E115StringUb256" minOccurs="0"/>
    <xsd:element name="replyCoordinate" minOccurs="0">
      <xsd:complexType>
        <xsd:attributeGroup ref="Coordinate"/>
      </xsd:complexType>
    </xsd:element>
  </xsd:all>
</xsd:complexType>
<xsd:complexType name="BusinessCategory">
  <xsd:all>
    <xsd:element name="countryCode" type="CountryCode" minOccurs="0"/>
    <xsd:element name="countyStateOrProvince" type="E115StringUb256" minOccurs="0"/>
    <xsd:element name="localityName" type="E115StringUb256" minOccurs="0"/>
    <xsd:element name="postalCode" type="E115StringUb256" minOccurs="0"/>
    <xsd:element name="headingInTheGuide" type="E115StringUb256"/>
    <xsd:element name="supplementaryData" type="E115StringUb256" minOccurs="0"/>
    <xsd:element name="count" type="NumericString" minOccurs="0"/>
  </xsd:all>
</xsd:complexType>
<xsd:complexType name="Street">
  <xsd:all>

```

```

<xsd:element name="countryCode" type="CountryCode" minOccurs="0"/>
<xsd:element name="countyStateOrProvince" type="E115StringUb256" minOccurs="0"/>
<xsd:element name="localityName" type="E115StringUb256" minOccurs="0"/>
<xsd:element name="postalCode" type="E115StringUb256" minOccurs="0"/>
<xsd:element name="streetName" type="E115StringUb256"/>
<xsd:element name="supplementaryData" type="E115StringUb256" minOccurs="0"/>
<xsd:element name="replyCoordinate" minOccurs="0">
  <xsd:complexType>
    <xsd:attributeGroup ref="Coordinate"/>
  </xsd:complexType>
</xsd:element>
</xsd:all>
</xsd:complexType>
<xsd:complexType name="Province">
  <xsd:all>
    <xsd:element name="countryCode" type="CountryCode" minOccurs="0"/>
    <xsd:element name="countyStateOrProvince" type="E115StringUb256"/>
    <xsd:element name="postalCode" type="E115StringUb256" minOccurs="0"/>
    <xsd:element name="supplementaryData" type="E115StringUb256" minOccurs="0"/>
    <xsd:element name="replyCoordinate" minOccurs="0">
      <xsd:complexType>
        <xsd:attributeGroup ref="Coordinate"/>
      </xsd:complexType>
    </xsd:element>
  </xsd:all>
</xsd:complexType>
<xsd:complexType name="CommAddresses">
  <xsd:choice maxOccurs="unbounded">
    <xsd:element name="phone">
      <xsd:complexType>
        <xsd:all>
          <xsd:element name="countryCallingCode">
            <xsd:simpleType>
              <xsd:restriction base="NumericString">
                <xsd:minLength value="1"/>
                <xsd:maxLength value="3"/>
              </xsd:restriction>
            </xsd:simpleType>
          </xsd:element>
          <xsd:element name="nationalDestinationCode" type="NationalDestinationCode"
            minOccurs="0"/>
          <xsd:element name="number" type="E115StringUb256"/>
          <xsd:element name="phoneService" minOccurs="0">
            <xsd:complexType>
              <xsd:attributeGroup ref="PhoneService"/>
            </xsd:complexType>
          </xsd:element>
        </xsd:all>
        <xsd:attributeGroup ref="ReplyPhoneChar"/>
        <xsd:attributeGroup ref="GeneralChar"/>
      </xsd:complexType>
    </xsd:element>
    <xsd:element name="email">
      <xsd:complexType>
        <xsd:simpleContent>
          <xsd:extension base="E115StringUb256">
            <xsd:attribute name="nmk" type="xsd:boolean" use="optional"/>
            <xsd:attributeGroup ref="GeneralChar"/>
          </xsd:extension>
        </xsd:simpleContent>
      </xsd:complexType>
    </xsd:element>
    <xsd:element name="uri">
      <xsd:complexType>
        <xsd:simpleContent>
          <xsd:extension base="E115StringUb256">
            <xsd:attributeGroup ref="GeneralChar"/>
          </xsd:extension>
        </xsd:simpleContent>
      </xsd:complexType>
    </xsd:element>
  </xsd:choice>
</xsd:complexType>

```

```

</xsd:choice>
</xsd:complexType>
<xsd:complexType name="DirectoryInquiry">
  <xsd:sequence>
    <xsd:element name="directoryInquiryHeader" type="DirectoryInquiryHeader"/>
    <xsd:element name="directoryInquiryData" type="DirectoryInquiryData"
      minOccurs="0"/>
  </xsd:sequence>
</xsd:complexType>
<xsd:complexType name="DirectoryInquiryHeader">
  <xsd:attribute name="originatingTerminalCode" use="required">
    <xsd:simpleType>
      <xsd:restriction base="E115String">
        <xsd:length value="8"/>
      </xsd:restriction>
    </xsd:simpleType>
  </xsd:attribute>
  <xsd:attribute name="dateAndTime" type="xsd:dateTime" use="optional"/>
  <xsd:attribute name="messageNumber" use="optional">
    <xsd:simpleType>
      <xsd:restriction base="E115String">
        <xsd:length value="4"/>
      </xsd:restriction>
    </xsd:simpleType>
  </xsd:attribute>
  <xsd:attribute name="directory" type="E115StringUb256" use="optional"/>
</xsd:complexType>
<xsd:complexType name="DirectoryInquiryData">
  <xsd:all>
    <xsd:element name="countryCode" type="CountryCode" minOccurs="0"/>
  </xsd:all>
</xsd:complexType>
<xsd:complexType name="DirectoryReply">
  <xsd:sequence>
    <xsd:element name="directoryReplyHeader" type="DirectoryReplyHeader"/>
    <xsd:element name="directoryReplyData" type="DirectoryReplyData" minOccurs="0"/>
  </xsd:sequence>
</xsd:complexType>
<xsd:complexType name="DirectoryReplyHeader">
  <xsd:attribute name="originatingTerminalCode" use="required">
    <xsd:simpleType>
      <xsd:restriction base="E115String">
        <xsd:length value="8"/>
      </xsd:restriction>
    </xsd:simpleType>
  </xsd:attribute>
  <xsd:attribute name="dateAndTime" type="xsd:dateTime" use="optional"/>
  <xsd:attribute name="messageNumber" use="optional">
    <xsd:simpleType>
      <xsd:restriction base="E115String">
        <xsd:length value="4"/>
      </xsd:restriction>
    </xsd:simpleType>
  </xsd:attribute>
  <xsd:attribute name="messageCode" use="required">
    <xsd:simpleType>
      <xsd:restriction base="E115String">
        <xsd:length value="2"/>
      </xsd:restriction>
    </xsd:simpleType>
  </xsd:attribute>
  <xsd:attribute name="directory" type="E115StringUb256" use="optional"/>
  <xsd:attribute name="version" use="required">
    <xsd:simpleType>
      <xsd:restriction base="NumericString">
        <xsd:length value="4"/>
      </xsd:restriction>
    </xsd:simpleType>
  </xsd:attribute>
</xsd:complexType>
<xsd:complexType name="DirectoryReplyData">

```

```

<xsd:sequence>
  <xsd:element name="directory" maxOccurs="unbounded">
    <xsd:complexType>
      <xsd:sequence>
        <xsd:element name="countryCode" type="CountryCode" maxOccurs="unbounded"/>
      </xsd:sequence>
      <xsd:attribute name="name" type="E115StringUb256" use="required"/>
      <xsd:attribute name="availability" use="optional">
        <xsd:simpleType>
          <xsd:restriction base="E115String">
            <xsd:enumeration value="available"/>
            <xsd:enumeration value="unavailable"/>
            <xsd:enumeration value="unknown"/>
            <xsd:enumeration value="blocked"/>
          </xsd:restriction>
        </xsd:simpleType>
      </xsd:attribute>
      <xsd:attribute name="functionalityActiveSince" type="xsd:dateTime"
        use="optional"/>
    </xsd:complexType>
  </xsd:element>
</xsd:sequence>
</xsd:complexType>
<xsd:complexType name="FunctionalityInquiry">
  <xsd:sequence>
    <xsd:element name="functionalityInquiryHeader"
      type="FunctionalityInquiryHeader"/>
  </xsd:sequence>
</xsd:complexType>
<xsd:complexType name="FunctionalityInquiryHeader">
  <xsd:attribute name="originatingTerminalCode" use="required">
    <xsd:simpleType>
      <xsd:restriction base="E115String">
        <xsd:length value="8"/>
      </xsd:restriction>
    </xsd:simpleType>
  </xsd:attribute>
  <xsd:attribute name="dateAndTime" type="xsd:dateTime" use="optional"/>
  <xsd:attribute name="messageNumber" use="optional">
    <xsd:simpleType>
      <xsd:restriction base="E115String">
        <xsd:length value="4"/>
      </xsd:restriction>
    </xsd:simpleType>
  </xsd:attribute>
  <xsd:attribute name="directory" type="E115StringUb256" use="optional"/>
</xsd:complexType>
<xsd:complexType name="FunctionalityReply">
  <xsd:sequence>
    <xsd:element name="functionalityReplyHeader" type="FunctionalityReplyHeader"/>
    <xsd:element name="functionalityReplyData" type="FunctionalityReplyData"
      minOccurs="0"/>
  </xsd:sequence>
</xsd:complexType>
<xsd:complexType name="FunctionalityReplyHeader">
  <xsd:attribute name="originatingTerminalCode" use="required">
    <xsd:simpleType>
      <xsd:restriction base="E115String">
        <xsd:length value="8"/>
      </xsd:restriction>
    </xsd:simpleType>
  </xsd:attribute>
  <xsd:attribute name="dateAndTime" type="xsd:dateTime" use="optional"/>
  <xsd:attribute name="messageNumber" use="optional">
    <xsd:simpleType>
      <xsd:restriction base="E115String">
        <xsd:length value="4"/>
      </xsd:restriction>
    </xsd:simpleType>
  </xsd:attribute>
  <xsd:attribute name="messageCode" use="required">

```

```

<xsd:simpleType>
  <xsd:restriction base="E115String">
    <xsd:length value="2"/>
  </xsd:restriction>
</xsd:simpleType>
</xsd:attribute>
<xsd:attribute name="directory" type="E115StringUb256" use="optional"/>
<xsd:attribute name="version" use="required">
  <xsd:simpleType>
    <xsd:restriction base="NumericString">
      <xsd:length value="4"/>
    </xsd:restriction>
  </xsd:simpleType>
</xsd:attribute>
</xsd:complexType>
<xsd:complexType name="FunctionalityReplyData">
  <xsd:sequence>
    <xsd:element name="functionality" maxOccurs="unbounded">
      <xsd:complexType>
        <xsd:sequence>
          <xsd:element name="supportedList" type="SupportedList" maxOccurs="5"/>
        </xsd:sequence>
        <xsd:attribute name="directory" type="E115StringUb256" use="optional"/>
        <xsd:attribute name="version" use="required">
          <xsd:simpleType>
            <xsd:restriction base="NumericString">
              <xsd:length value="4"/>
            </xsd:restriction>
          </xsd:simpleType>
        </xsd:attribute>
      </xsd:complexType>
    </xsd:element>
  </xsd:sequence>
</xsd:complexType>
<xsd:complexType name="SupportedList">
  <xsd:all>
    <xsd:element name="defaultCategoryCombination" minOccurs="0">
      <xsd:complexType>
        <xsd:attributeGroup ref="CategoriesReq"/>
      </xsd:complexType>
    </xsd:element>
    <xsd:element name="defaultMatchingRuleCombinations" minOccurs="0">
      <xsd:complexType>
        <xsd:sequence>
          <xsd:element name="defaultMatchingRuleCombination" maxOccurs="8">
            <xsd:complexType>
              <xsd:sequence>
                <xsd:element name="category" maxOccurs="6">
                  <xsd:complexType>
                    <xsd:attributeGroup ref="CategoriesReq"/>
                  </xsd:complexType>
                </xsd:element>
              </xsd:sequence>
              <xsd:attribute name="wordRotation" type="xsd:boolean" use="required"/>
              <xsd:attribute name="phonetic" type="xsd:boolean" use="required"/>
              <xsd:attribute name="alias" type="xsd:boolean" use="required"/>
            </xsd:complexType>
          </xsd:element>
        </xsd:sequence>
      </xsd:complexType>
    </xsd:element>
  </xsd:all>
</xsd:complexType>
<xsd:element name="supportedMatchingRuleCombinations" minOccurs="0">
  <xsd:complexType>
    <xsd:sequence>
      <xsd:element name="supportedMatchingRuleCombination" maxOccurs="8">
        <xsd:complexType>
          <xsd:sequence>
            <xsd:element name="category" maxOccurs="6">
              <xsd:complexType>
                <xsd:attributeGroup ref="CategoriesReq"/>
              </xsd:complexType>
            </xsd:element>
          </xsd:sequence>
        </xsd:complexType>
      </xsd:element>
    </xsd:sequence>
  </xsd:complexType>
</xsd:element>

```

```

        </xsd:element>
    </xsd:sequence>
    <xsd:attribute name="wordRotation" type="xsd:boolean" use="required"/>
    <xsd:attribute name="phonetic" type="xsd:boolean" use="required"/>
    <xsd:attribute name="alias" type="xsd:boolean" use="required"/>
    </xsd:complexType>
</xsd:element>
</xsd:sequence>
</xsd:complexType>
</xsd:element>
<xsd:element name="defaultCharacterSubsetCombination" minOccurs="0">
    <xsd:complexType>
        <xsd:attribute name="inquiryCharacterSubset" type="CharacterSubSet"
            use="required"/>
        <xsd:attribute name="replyCharacterSubset" type="CharacterSubSet"
            use="required"/>
    </xsd:complexType>
</xsd:element>
<xsd:element name="supportedCharacterSubsetCombinations" minOccurs="0">
    <xsd:complexType>
        <xsd:sequence>
            <xsd:element name="supportedCharacterSubsetCombination"
                maxOccurs="unbounded">
                <xsd:complexType>
                    <xsd:attribute name="inquiryCharacterSubset" type="CharacterSubSet"
                        use="required"/>
                    <xsd:attribute name="replyCharacterSubset" type="CharacterSubSet"
                        use="required"/>
                </xsd:complexType>
            </xsd:element>
        </xsd:sequence>
    </xsd:complexType>
</xsd:element>
<xsd:element name="defaultLanguageCombination" minOccurs="0">
    <xsd:complexType>
        <xsd:attribute name="inquiryLanguage" use="required">
            <xsd:simpleType>
                <xsd:restriction base="xsd:token">
                    <xsd:length value="3"/>
                </xsd:restriction>
            </xsd:simpleType>
        </xsd:attribute>
        <xsd:attribute name="replyLanguage" use="required">
            <xsd:simpleType>
                <xsd:restriction base="xsd:token">
                    <xsd:length value="3"/>
                </xsd:restriction>
            </xsd:simpleType>
        </xsd:attribute>
    </xsd:complexType>
</xsd:element>
<xsd:element name="supportedLanguageCombinations" minOccurs="0">
    <xsd:complexType>
        <xsd:sequence>
            <xsd:element name="supportedLanguageCombination" maxOccurs="unbounded">
                <xsd:complexType>
                    <xsd:attribute name="inquiryLanguage" type="xsd:token"
                        use="required"/>
                    <xsd:attribute name="replyLanguage" type="xsd:token" use="required"/>
                </xsd:complexType>
            </xsd:element>
        </xsd:sequence>
    </xsd:complexType>
</xsd:element>
<xsd:element name="defaultCoordinateTypeCombination" minOccurs="0">
    <xsd:complexType>
        <xsd:sequence>
            <xsd:element name="inquiryCoordinateType" minOccurs="0">
                <xsd:complexType>
                    <xsd:attribute name="geodeticDatum" type="GeodeticDatum"
                        use="required"/>
                </xsd:complexType>
            </xsd:element>
        </xsd:sequence>
    </xsd:complexType>
</xsd:element>

```



```

        <xsd:attribute name="geographicalType" type="GeographicalType"
            use="required"/>
    </xsd:complexType>
</xsd:element>
<xsd:element name="replyCoordinateType" minOccurs="0">
    <xsd:complexType>
        <xsd:attribute name="geodeticDatum" type="GeodeticDatum"
            use="required"/>
        <xsd:attribute name="geographicalType" type="GeographicalType"
            use="required"/>
    </xsd:complexType>
</xsd:element>
</xsd:sequence>
</xsd:complexType>
</xsd:element>
<xsd:element name="supportedCoordinateTypeCombinations" minOccurs="0">
    <xsd:complexType>
        <xsd:sequence>
            <xsd:element name="supportedCoordinateTypeCombination"
                maxOccurs="unbounded">
                <xsd:complexType>
                    <xsd:all>
                        <xsd:element name="inquiryCoordinateType" minOccurs="0">
                            <xsd:complexType>
                                <xsd:attribute name="geodeticDatum" type="GeodeticDatum"
                                    use="required"/>
                                <xsd:attribute name="geographicalType" type="GeographicalType"
                                    use="required"/>
                            </xsd:complexType>
                        </xsd:element>
                        <xsd:element name="replyCoordinateType" minOccurs="0">
                            <xsd:complexType>
                                <xsd:attribute name="geodeticDatum" type="GeodeticDatum"
                                    use="required"/>
                                <xsd:attribute name="geographicalType" type="GeographicalType"
                                    use="required"/>
                            </xsd:complexType>
                        </xsd:element>
                    </xsd:all>
                </xsd:complexType>
            </xsd:element>
        </xsd:sequence>
    </xsd:complexType>
</xsd:element>
<xsd:element name="supportedCombinations" minOccurs="0">
    <xsd:complexType>
        <xsd:sequence>
            <xsd:element name="supportedCombination" maxOccurs="unbounded">
                <xsd:complexType>
                    <xsd:complexContent>
                        <xsd:extension base="SupportedCombination"/>
                    </xsd:complexContent>
                </xsd:complexType>
            </xsd:element>
        </xsd:sequence>
    </xsd:complexType>
</xsd:element>
</xsd:all>
<xsd:attribute name="listType" use="required">
    <xsd:simpleType>
        <xsd:restriction base="xsd:token">
            <xsd:enumeration value="subscriberList"/>
            <xsd:enumeration value="localityList"/>
            <xsd:enumeration value="businessCategoryList"/>
            <xsd:enumeration value="streetList"/>
            <xsd:enumeration value="provinceList"/>
        </xsd:restriction>
    </xsd:simpleType>
</xsd:attribute>
</xsd:complexType>
<xsd:complexType name="SupportedCombination">

```

```

<xsd:all>
  <xsd:element name="applicableCategoryCombinations" minOccurs="0">
    <xsd:complexType>
      <xsd:sequence>
        <xsd:element name="applicableCategoryCombination" maxOccurs="8">
          <xsd:complexType>
            <xsd:attributeGroup ref="CategoriesReq"/>
          </xsd:complexType>
        </xsd:element>
      </xsd:sequence>
    </xsd:complexType>
  </xsd:element>
  <xsd:element name="inquiryCharacterSubsetField" minOccurs="0">
    <xsd:complexType>
      <xsd:attribute name="mandatory" type="xsd:boolean" use="required"/>
    </xsd:complexType>
  </xsd:element>
  <xsd:element name="replyCharacterSubsetField" minOccurs="0">
    <xsd:complexType>
      <xsd:attribute name="mandatory" type="xsd:boolean" use="required"/>
    </xsd:complexType>
  </xsd:element>
  <xsd:element name="inquiryCoordinateTypeField" minOccurs="0">
    <xsd:complexType>
      <xsd:attribute name="mandatory" type="xsd:boolean" use="required"/>
    </xsd:complexType>
  </xsd:element>
  <xsd:element name="replyCoordinateTypeField" minOccurs="0">
    <xsd:complexType>
      <xsd:attribute name="mandatory" type="xsd:boolean" use="required"/>
    </xsd:complexType>
  </xsd:element>
  <xsd:element name="inquiryLanguageField" minOccurs="0">
    <xsd:complexType>
      <xsd:attribute name="mandatory" type="xsd:boolean" use="required"/>
    </xsd:complexType>
  </xsd:element>
  <xsd:element name="replyLanguageField" minOccurs="0">
    <xsd:complexType>
      <xsd:attribute name="mandatory" type="xsd:boolean" use="required"/>
    </xsd:complexType>
  </xsd:element>
  <xsd:element name="subscriberNameField" minOccurs="0">
    <xsd:complexType>
      <xsd:complexContent>
        <xsd:extension base="StringCharacteristics"/>
      </xsd:complexContent>
    </xsd:complexType>
  </xsd:element>
  <xsd:element name="countryCodeField" minOccurs="0">
    <xsd:complexType>
      <xsd:attribute name="mandatory" type="xsd:boolean" use="required"/>
    </xsd:complexType>
  </xsd:element>
  <xsd:element name="countyStateOrProvinceField" type="StringCharacteristics"
    minOccurs="0"/>
  <xsd:element name="localityNameField" minOccurs="0">
    <xsd:complexType>
      <xsd:complexContent>
        <xsd:extension base="StringCharacteristics"/>
      </xsd:complexContent>
    </xsd:complexType>
  </xsd:element>
  <xsd:element name="postalCodeField" type="StringCharacteristics" minOccurs="0"/>
  <xsd:element name="streetNameField" type="StringCharacteristics" minOccurs="0"/>
  <xsd:element name="houseNumberField" minOccurs="0">
    <xsd:complexType>
      <xsd:attribute name="mandatory" type="xsd:boolean" use="required"/>
    </xsd:complexType>
  </xsd:element>
  <xsd:element name="forenameField" type="StringCharacteristics" minOccurs="0"/>

```

```

<xsd:element name="headingInTheGuideField" type="StringCharacteristics"
  minOccurs="0"/>
<xsd:element name="additionalNameField" type="StringCharacteristics"
  minOccurs="0"/>
<xsd:element name="professionCodeField" type="StringCharacteristics"
  minOccurs="0"/>
<xsd:element name="categoryField" minOccurs="0">
  <xsd:complexType>
    <xsd:attribute name="mandatory" type="xsd:boolean" use="required"/>
  </xsd:complexType>
</xsd:element>
<xsd:element name="sequenceNumberField" type="StringCharacteristics"
  minOccurs="0"/>
<xsd:element name="nationalDestinationCodeField" type="StringCharacteristics"
  minOccurs="0"/>
<xsd:element name="commAddressField" type="StringCharacteristics"
  minOccurs="0"/>
<xsd:element name="commAddressTypeField" minOccurs="0">
  <xsd:complexType>
    <xsd:attribute name="mandatory" type="xsd:boolean" use="required"/>
    <xsd:attribute name="phone" type="xsd:boolean" use="required"/>
    <xsd:attribute name="email" type="xsd:boolean" use="required"/>
    <xsd:attribute name="uri" type="xsd:boolean" use="required"/>
  </xsd:complexType>
</xsd:element>
<xsd:element name="commAddressServiceField" minOccurs="0">
  <xsd:complexType>
    <xsd:attribute name="mandatory" type="xsd:boolean" use="required"/>
    <xsd:attributeGroup ref="CommAddressServiceReq"/>
  </xsd:complexType>
</xsd:element>
<xsd:element name="commAddressCharField" minOccurs="0">
  <xsd:complexType>
    <xsd:attribute name="mandatory" type="xsd:boolean" use="required"/>
    <xsd:attribute name="ftn" type="xsd:boolean" use="required"/>
    <xsd:attribute name="mob" type="xsd:boolean" use="required"/>
    <xsd:attribute name="fixed" type="xsd:boolean" use="required"/>
  </xsd:complexType>
</xsd:element>
<xsd:element name="geoExpansionField" minOccurs="0">
  <xsd:complexType>
    <xsd:attribute name="mandatory" type="xsd:boolean" use="required"/>
  </xsd:complexType>
</xsd:element>
<xsd:element name="searchCoordinateField" minOccurs="0">
  <xsd:complexType>
    <xsd:attribute name="mandatory" type="xsd:boolean" use="required"/>
  </xsd:complexType>
</xsd:element>
<xsd:element name="searchRadiusField" minOccurs="0">
  <xsd:complexType>
    <xsd:attribute name="mandatory" type="xsd:boolean" use="required"/>
  </xsd:complexType>
</xsd:element>
<xsd:element name="matchingRuleField" minOccurs="0">
  <xsd:complexType>
    <xsd:attribute name="mandatory" type="xsd:boolean" use="required"/>
  </xsd:complexType>
</xsd:element>
<xsd:element name="selectionField" minOccurs="0"/>
</xsd:all>
</xsd:complexType>
<xsd:complexType name="StringCharacteristics">
  <xsd:attribute name="mandatory" type="xsd:boolean" use="required"/>
  <xsd:attribute name="minLen" type="xsd:integer" use="optional"/>
  <xsd:attribute name="maxLen" type="xsd:integer" use="optional"/>
</xsd:complexType>
<xsd:element name="e115Message" type="E115Message"/>
</xsd:schema>

```

Annex I

Message codes for Recommendation ITU-T E.115

(This annex forms an integral part of this Recommendation)

The message codes are structured as follows:

- The first digit reflects the subdivision.
- The second digit reflects the detailed code within the subdivision.

The code giving the most detail about the message shall be used where possible.

Message codes apply for both version 1 and version 2, unless exception is explicitly mentioned.

The following codes have been defined:

20 PROTOCOL ERROR

- Default code for this subdivision.
- The inquiry message is not structured according to this Recommendation.
- The inquiry message is returned when possible (version 1 only).

21 Does not comply with the ASN.1 BER or XML as required by this Recommendation.

- For example, wrong structure of the inquiry message.
- Mandatory fields not present in the inquiry message.

22 The syntax in a field is not in accordance with this Recommendation:

- For example, the data specified in field "sequence number" is not a number.

23 Characters within the inquiry are not part of the stated repertoire.

- The existence of this message code must not be taken as an invitation not to fully implement this Recommendation.

30 SYSTEM ERROR

- Default code for this subdivision.
- The inquiry message is returned when possible (version 1 only).
- The existence of this message code must not be taken as an invitation not to fully implement this Recommendation.

31 Database not accessible.

- For example, locality list not working.
- Database subsystem not working.
- The existence of this message code must not be taken as an invitation not to fully implement this Recommendation.

32 Congestion within the system.

- The existence of this message code must not be taken as an invitation not to fully implement this Recommendation.

33 Error due to the application.

- Please contact the replying system administrator.

- 40 **REQUIRED SERVICE NOT SUPPORTED**
- Default code for this subdivision.
 - The inquiry message is returned for version 1 only.
- 41 Search for the subscriber within the whole country not supported.
- 42 Search for the subscriber within the county, state or province not supported.
- 43 The system only allows this search when prior agreement exists. This gives an indication to the inquiring system that this search is possible if an agreement exists.
- 44 Search for the subscriber without subscriber name not supported.
- 45 The suggested reply types are not relevant or not supported by the replying system (version 2 only).
- 46 Requested matching rule not supported (version 2 only).
- 47 Search for the street within the whole country not supported (version 2 only).
- 48 Search for the street within the county, state or province not supported (version 2 only).
- 49 Search for the heading in the guide within the whole country not supported (version 2 only).
- 4A Search for the heading in the guide within the county, state or province not supported (version 2 only).
- 4B Inquiry coordinate type not supported (version 2 only).
- 4C Reply coordinate type not supported (version 2 only).
- 4D Inquiry character subset not supported (version 2 only).
- 4E Reply character subset not supported (version 2 only).
- 4F Communications address type not supported (version 2 only).
- 4G Communications address service not supported (version 2 only).
- 4H Communications address characteristics not supported (version 2 only).
- 4I Inquiry language not supported (version 2.01 only).
- 4J Reply language not supported (version 2.01 only).
- 4K The replying system does not support this country code/name (version 2 only).
- 4L The replying system does not support this provider code (version 2 only).
- 4M The provider code is required (version 2 only).
- 50 **REQUIRED SERVICE SUPPORTED BUT SEARCH IMPOSSIBLE BY LACK OF, OR INVALID, INPUT INFORMATION**
- Default code for this subdivision.
 - The inquiry message is returned (version 1 only).
- 51 Not enough information in the locality name.
- 52 Not enough information in the county, state or province name.
- 53 Not enough information in the subscriber's name.
- 54 Not enough information in other fields (excluding locality, county, state or province, subscriber name, street name, heading in the guide).
- 55 The information in the additional information field is invalid – See operator's manual.
- 56 Invalid characters in the locality name – See operator's manual.

- 57 Invalid sequence number.
- For example, sequence number exceeds the limit of the replying system.
 - Sequence number out of numerical sequence.
- 58 Not enough information in the street name (version 2 only).
- 59 Not enough information in the heading in the guide (version 2 only).
- 60 UNABLE TO DETERMINE THE GEOGRAPHICAL AREA IN WHICH TO SEARCH
- Default code for this subdivision.
 - These codes may only be used when the called system cannot provide additional information by using the locality list.
- For an example, when a locality is not found within a specified county, state or province, all selected localities within the country are displayed in the locality list. Such functionality is not required by this Recommendation, but is not rejected by it either.
- 61 County, state or province name does not exist in the system.
- 62 Locality name does not exist in the system.
- 63 The combination county, state or province name – locality name does not exist in the system.
- 64 The combination locality – street name not defined.
- The street name does not exist within the locality.
 - Too many street names found within the locality (version 1 only, message code 58 in version 2).
- 65 Too many selections found.
- Too many counties, states or provinces or localities found.
 - The existence of this message code must not be taken as an invitation not to fully implement this Recommendation.
- 66 The combination locality – business category not defined (version 2 only).
- 67 Street name does not exist in the system (version 2 only).
- 68 Business category does not exist in the system (version 2 only).
- 70 RETURNING A LOCALITY LIST
- A default code for the locality list is not appropriate as information about a complete or incomplete selection is needed.
- 71 The locality list is complete – no more information can be obtained.
- 72 The locality list is incomplete – more information can be obtained.
- 73 The locality list is incomplete (10th subdivision is given) – no more information can be obtained.
- 74 The locality list is incomplete (10th subdivision is not reached) – no more information can be obtained.
- 75 The locality list is probably incomplete – no more information can be obtained.
- Due to database difficulties, the replying system cannot assure that all selections are made.
 - The existence of this message code must not be taken as an invitation not to fully implement this Recommendation.
- NOTE – A reply containing message code of subdivision 7 with a locality list should be sent if there

is no subscriber name in the inquiry or if the locality given in the inquiry is ambiguous. Every entry in the locality list will describe a locality, it will include the locality name and the province name (if supported in that country), if there is a meaningful relationship between localities and national destination codes, the national destination code will also be included. In that case, the national destination code will be entered in the field "national destination code". Whenever there is additional information that could be useful to the end user, this will be entered in the field "supplementary data".

The combination of locality name and province name (in the locality list) will be such that they can be used for an international inquiry format message, resulting in subscribers being returned.

- 76 List of business categories (version 1 only).
- 77 List of street addresses (version 1 only).
- 80 RETURNING A SUBSCRIBER LIST
 - A default code for the subscriber list is not appropriate as information about a complete or incomplete selection is needed.
- 81 The subscriber list is complete – no more information can be obtained.
- 82 The subscriber list is incomplete – more information can be obtained.
- 83 The subscriber list is incomplete (the 10th subdivision is given) – no more information can be obtained.
- 84 The subscriber list is incomplete (the 10th subdivision is not reached) – no more information can be obtained.
- 85 The subscriber list is probably incomplete – no more information can be obtained.
 - Due to database difficulties, the replying system cannot assure that all selections are made.
 - The existence of this message code must not be taken as an invitation not to fully implement this Recommendation.
- 90 THE SEARCH RESULTS IN NO LOCALITY – OR SUBSCRIBER SELECTION
 - Default code for this subdivision.
 - The inquiry message is returned (version 1 only).
- 91 Heading in the guide not found.
- 92 No subscriber information found.
- 93 Too many selections found – enter more selective information.
- 94 No locality selection found with the specified sequence number.
- 95 No subscriber information found with the specified sequence number.
- 96 Subscriber's information not available for selected geographical area.
- 97 No province selection found with the specified sequence number.
- 98 No street selection found with the specified sequence number.
- 99 No business category selection found with the specified sequence number.
- P0 RETURNING A PROVINCE LIST
 - This set of message codes is for version 2 only.
 - A default code for the province list is not appropriate as information about a complete or incomplete selection is needed.

- P1 The province list is complete – no more information can be obtained.
- P2 The province list is incomplete – more information can be obtained.
- P3 The province list is incomplete (10th subdivision is given) – no more information can be obtained.
- P4 The province list is incomplete (10th subdivision is not reached) – no more information can be obtained.
- P5 The province list is probably incomplete – no more information can be obtained.
- S0 RETURNING A STREET LIST
- This set of message codes is for version 2 only.
 - A default code for the street list is not appropriate as information about a complete or incomplete selection is needed.
- S1 The street list is complete – no more information can be obtained.
- S2 The street list is incomplete – more information can be obtained.
- S3 The street list is incomplete (10th subdivision is given) – no more information can be obtained.
- S4 The street list is incomplete (10th subdivision is not reached) – no more information can be obtained.
- S5 The street list is probably incomplete – no more information can be obtained.
- B0 RETURNING A BUSINESS CATEGORY LIST
- This set of message codes is for version 2 only.
 - A default code for the business category list is not appropriate as information about a complete or incomplete selection is needed.
- B1 The business category list is complete – no more information can be obtained.
- B2 The business category list is incomplete – more information can be obtained.
- B3 The business category list is incomplete (the 10th subdivision is given) – no more information can be obtained.
- B4 The business category list is incomplete (the 10th subdivision is not reached) – no more information can be obtained.
- B5 The business category list is probably incomplete – no more information can be obtained.

Appendix I

NACE nomenclature

(This appendix does not form an integral part of this Recommendation)

I.1 About NACE

The NACE (Nomenclature générale des Activités économiques dans la Communauté Européenne – General industrial classification of economic activities within the European Community) has been accepted as the nomenclature to be used for the international DA to represent business categories.

NACE was established in order to get a common statistical classification of economic activities within the European Community.

I.2 NACE structure

NACE has the following hierarchical structure:

- A first level consisting of headings identified by an alphabetical code (sections), an intermediate level consisting of headings identified by a two-character alphabetical code (subsections).
- A second level consisting of headings identified by a two-digit numerical code (divisions).
- A third level consisting of headings identified by a three-digit numerical code (groups).
- A fourth level consisting of headings identified by a four-digit numerical code (classes).

More detailed information can be found on the official website with the complete NACE in English http://europa.eu.int/comm/competition/mergers/cases/index/nace_all.html.

I.3 NACE at work

It is recommended for service providers to implement the NACE nomenclature. This will reduce language problems for international inquiries.

To make an inquiry, the recipient's operator enters a NACE code in the **headingInTheGuide** field. The replying system may then, if required, translate the NACE code into the matching business category for the system.

NOTE – The NACE nomenclature could also be implemented by the inquiring system. A human user could enter the business category in her or his own language and the system translates that to the corresponding NACE code.

The minimum length of the code is one character (e.g., B, fishing), the maximum is 6 (e.g., DA1583, manufacture of sugar).

Subheadings should be possible according to the NACE index but you shall always get all information with the heading.

If somebody uses subentries in the database like N851 and N852 and somebody searches for N85, then all listings with N85, N851, N852 should be delivered.

If an unknown code is provided (e.g., 12345), message code 91 shall be returned (heading in the guide not found).

The idea is to recommend the business categories of the NACE list with each provider being free to adapt his database entries in more or less detail. It might not be necessary to implement the full list but only a part of it. If, and how, it is implemented should be described in the operator's manual.

I.4 Extract from NACE

Table I.1 contains an extract of the most commonly used NACE codes. It is recommended that at least these codes be supported.

Table I.1 – NACE codes for business categories

Business category name	Nearest NACE code
Airports	I62
Banks	J65
Customs offices and border crossing points	L7521
Embassies and consulates	Q99
Hospitals, clinics and medical centres (private and public)	N8511
Hotels	H551
Insurance companies	J66
Local administration	L7510
Ministries	L75
Museums	O925
Police stations	L7524
Port and harbour administration	I61
Post offices	I6411
Railway stations	I6010
Registry offices	L7510
Restaurants	H553
Schools and universities	M80
Tourist information offices	I6330
Travel agencies	I6330

Appendix II

Examples of BER encodings

(This appendix does not form an integral part of this Recommendation)

II.1 Introduction

This appendix provides an example of BER encoding of the DA protocol version 1. This example illustrates the encoding and can possibly be an implementation aid.

The BER encoding has options. Field length may be coded in two ways (explicit-length fields and indefinite-length fields) and as the DA protocol uses the SET-constructed data type, components within such a SET may be transmitted in any order and still be compliant.

An implementation should be able to cope with such variations.

II.2 Example of ASN.1 BER encoding of the DA protocol version 1

II.2.1 Inquiry message

1010 0000	Directory message (telephone)
LENGTH	
1010 0000	Telephone (inquiry)
LENGTH	
0011 0000	Inquiry
LENGTH	
0110 0000	Part 1
LENGTH	
1000 0000	Message indicators
LENGTH	
Message indicators	
1000 0001	International indicators
LENGTH	
International indicators	
1000 0010	Originating terminal code
LENGTH	
Originating terminal code	
1000 0011	Date and time (optional)
LENGTH	
Date and time	
1000 0100	Message number (optional)
LENGTH	
Message number	
0110 0001	Part 2
LENGTH	
1000 0000	Locality (optional)
LENGTH	
Locality	
1000 0001	Subscriber name (optional)
LENGTH	
Subscriber name	
1000 0010	Street name (optional)
LENGTH	
Street name	
1000 0011	House number (optional)
LENGTH	
House number	
1000 0100	Forename (optional)
LENGTH	
Forename	
1000 0101	Heading in the Guide (optional)
LENGTH	
Heading in the Guide	
1000 0110	Profession code (optional)
LENGTH	

Profession Code
 1000 0111 Additional information for a selective search (optional)
 LENGTH
 Additional information for a selective search
 1000 1000 County, State or Province (optional)
 LENGTH
 County, State or Province
 1000 1001 Category (optional)
 LENGTH
 Category
 1000 1010 Sequence number (optional)
 LENGTH
 Sequence number

II.2.2 Reply message

1010 0000 Directory message (telephone)
 LENGTH
 1010 0001 Telephone (reply)
 LENGTH
 0011 0000 Reply
 LENGTH
 0110 0011 Part 1
 LENGTH
 1000 0000 Message indicators
 LENGTH
 Message indicators
 1000 0001 International indicators
 LENGTH
 International indicators
 1000 0010 Originating terminal code
 LENGTH
 Originating terminal code
 1000 0011 Date and time (optional)
 LENGTH
 Date and Time
 1000 0100 Message number (optional)
 LENGTH
 Message number
 0110 0100 Part 2
 LENGTH
 1000 0000 Message code
 LENGTH
 Message code
 1000 0001 Country code
 LENGTH
 Country code
 1000 0010 Message (optional)
 LENGTH
 Message
 1000 0011 DB Selection Count (optional)
 LENGTH
 DB selection count
 0110 0101 Part 3 (optional)
 LENGTH
 0011 0001 Selection
 LENGTH
 1000 0000 National destination code (optional)
 LENGTH
 National Destination code
 1000 0001 Subscriber number (optional)
 LENGTH
 Subscriber number
 1000 0010 Locality
 LENGTH
 Locality
 1000 0011 Subscriber name (optional)
 LENGTH
 Subscriber name
 1000 0100 Forename (optional)

LENGTH
 Forename
 1000 0101 Street name (optional)
 LENGTH
 Street name
 1000 0110 House number (optional)
 LENGTH
 House number
 1000 0111 Supplementary data (optional)
 LENGTH
 Supplementary data
 1000 1000 Subscriber message (optional)
 LENGTH
 Subscriber message
 10000 1001 Heading in the Guide (optional)
 LENGTH
 Heading in the Guide
 1000 1010 Profession code (optional)
 LENGTH
 Profession code
 1000 1011 Additional information for a selective search (optional)
 LENGTH
 Additional information for a selective search
 1000 1100 County, State or Province (optional)
 LENGTH
 County, State or Province (optional)
 1000 1101 Category (optional)
 LENGTH
 Category
 1000 1110 Subscriber description
 LENGTH
 Subscriber description
 0011 0001 Selection
 LENGTH
 1000 0000 National Destination code (optional)
 LENGTH
 National destination code

etc

Appendix III

ISO/IEC 10646, UTF8-encoding and relationship with ISO/IEC 8859-x

(This appendix does not form an integral part of this Recommendation)

III.1 Introduction

[ISO/IEC 10646] defines the universal multiple-octet coded character set (UCS) accommodating all characters of the world within a single coding space. This appendix is provided to introduce the relevant aspects of [ISO/IEC 10646].

The ISO/IEC 10646 code structure is based on a four-dimensional coding space. The coding space consists of 128 groups numbered in hex from '00' to '7F'. Each group consists of 256 planes numbered from '00' to 'FF'. Each plane consists of 256 rows numbered from '00' to 'FF'. Each row consists of 256 cells numbered from '00' to 'FF' representing a potential character. This gives a capacity for an enormous number of character cells in the coding space, certainly sufficient capacity for the foreseeable future.

Each cell is addressed using four octets. The least significant octet represents a character position within a row. The next higher significant octet represents a row position within a plane. The next higher significant octet represents the position of a plane within a group, whilst the most significant octet represents the position of a group. This encoding is called UCS-4.

Each character in [ISO/IEC 10646] is given a unique name. As an example, the ordinary capital letter 'A' has the name "LATIN CAPITAL LETTER A", while the small letter 'a' has the name "LATIN SMALL LETTER A".

Plane '00' of group '00' holds 65536 code positions, which alone represents a substantial part of the characters considered relevant for the IT-world. This plane is called the basic multilingual plane (BMP). As the first two octets are always zero, the cells on the BMP may be addressed by two octets. This form of encoding is called UCS-2, also called Unicode. Only the BMP is relevant for this Recommendation. When referring to character positions in the following, the UCS-2 notation is used.

The considerations on mapping between [ISO/IEC 10646] and [ISO/IEC 8859-x] are only relevant if an implementation is required to do this mapping.

III.2 UCS transformation format 8 (UTF-8)

Although UCS-2 notation is used by this Recommendation, it requires the use of the UCS transformation format (UTF-8) encoding for protocol versions subsequent to version 1. UTF-8 encoding allows the ITU-T E.115 basic character subset to be encoded exactly as for [ITU-T T.50]. In addition, it is widely used and thereby widely supported by products.

UCS transformation format 8 (UTF-8) is a kind of one-octet encoding of [ISO/IEC 10646] that allows the characters defined by the ITU-T E.115 basic subset to be represented by a single octet, while other graphic characters require from two to six octets.

Table III.1 – UCS transformation format 8 (UTF-8)

Octet usage	Format (binary)	No. of free bits	Max UCS-4-value
1st of 1	0xxx xxxx	7	00 00 00 7F
1st of 2	110x xxxx	5	00 00 07 FF
1st of 3	1110 xxxx	4	00 00 FF FF
1st of 4	1111 0xxx	3	00 1F FF FF
1st of 5	1111 10xx	2	03 FF FF FF
1st of 6	1111 110x	1	7F FF FF FF
Continuation 2nd ... 6th	10xx xxxx	6	

One octet is sufficient to address the first half of row '00' of the BMP, which includes the same graphic characters with the same encoding as defined by [ITU-T T.50], and thereby the ITU-T E.115 basic character subset.

Two octets give 11 bits for encoding, i.e., that includes rows 00-07 of the BMP and thereby includes a significant character repertoire.

Of relevant characters, the EURO SIGN with code point 20AC is the highest numbered character and is encoded as E282AC, i.e., within three octets. Beside this, the Cyrillic character Υ with code point 045F is the highest number character required by this Recommendation meaning that all other characters beyond the ITU-T E.115 basic character subset can be encoded in two octets.

III.3 BASIC LATIN and LATIN-1 SUPPLEMENT subsets

The first 128 code points of row 00 (the first half of row 00) have all the nine high-order bits set to zero. The remaining 7 bits correspond exactly to the characters defined by [ITU-T T.50] and are in UTF-8 encoded in one octet. This one-to-one relationship is illustrated in Table III.2. Code positions 0000 to 001F and 007F correspond to the control characters defined by [ITU-T T.50]. However, [ISO/IEC 10646] does not define control characters and leaves those code points undefined. The remaining code points (0020 to 007E) represent the BASIC LATIN ISO/IEC 10646 subset.

The first half of row 00 also corresponds closely to the left part of [ISO/IEC 8859-1]. This is also illustrated in Table III.2.

NOTE – The left part of an ISO/IEC 8859 character set are those characters having positions 00-7E, while the right part are those characters having positions 80-FF.

Table III.2 – BASIC LATIN vs ISO/IEC 8859-1

	000	001	002	003	004	005	006	007
0			SP	0	@	P	`	p
1			!	1	A	Q	a	q
2			"	2	B	R	b	r
3			#	3	C	S	c	s
4			\$	4	D	T	d	t
5			%	5	E	U	e	u
6			&	6	F	V	f	v
7			'	7	G	W	g	w
8			(8	H	X	h	x
9)	9	I	Y	i	y
A			*	:	J	Z	j	z
B			+	;	K	[k	{
C			,	<	L	\	l	
D			-	=	M]	m	}
E			.	>	N	^	n	~
F			/	?	O	_	o	
	0	1	2	3	4	5	6	7

ISO/IEC 8859-1:1998 or T.50 (1992)

The last half of row 00, i.e., code position 0080-00FF, represents the ISO/IEC 10646 LATIN-1 SUPPLEMENT subset and corresponds one-to-one to the right part of [ISO/IEC 8859-1] as illustrated by Table III.3.

Table III.3 – LATIN-1 SUPPLEMENT vs ISO/IEC 8859-1

		LATIN-1 SUPPLEMENT (UCS-2)							
		008	009	00A	00B	00C	00D	00E	00F
0				NBSP	°	À	Ð	à	ð
1				¡	±	Á	Ñ	á	ñ
2				¢	²	Â	Ò	â	ò
3				£	³	Ã	Ó	ã	ó
4				¤	´	Ä	Ô	ä	ô
5				¥	µ	Å	Õ	å	õ
6				¦	¶	Æ	Ö	æ	ö
7				§	·	Ç	×	ç	÷
8				¨	,	È	Ø	è	ø
9				©	¹	É	Ù	é	ù
A				ª	º	Ê	Ú	ê	ú
B				«	»	Ë	Û	ë	û
C				¬	¼	Ì	Ü	ì	ü
D				­	½	Í	Ý	í	ý
E				®	¾	Î	Þ	î	þ
F				¯	¿	Ï	ß	ï	ÿ
		8	9	A	B	C	D	E	F

ISO/IEC 8859-1:1998

Code positions 0000 to 0000 001F and code positions 0000 0080 to 0000 009F in the BMP are reserved for control characters, and code position 0000 007F is reserved for the character DELETE. Control characters are of no relevance to this Recommendation.

III.4 LATIN EXTENDED-A subset and relationship to ISO/IEC 8859-2/3/4

[ISO/IEC 8859-2/3/4] support different areas within Europe in addition to those covered by [ISO/IEC 8859-1].

[ISO/IEC 8859-2] supports Bosnian, Croatian, Czech, Hungarian, Polish, Romanian, Serbian (in Latin transcription), Serbo-Croatian, Slovak, Slovenian, Upper Sorbian and Lower Sorbian.

[ISO/IEC 8859-3] supports Galician, Maltese, and Turkish.

[ISO/IEC 8859-4] supports Estonian, Greenlandic, Lappish (Sami), Latvian, and Lithuanian.

These character sets have many characters in common with [ISO/IEC 8859-1]. Especially, the left side of these character sets is identical to the left side of [ISO/IEC 8859-1], but also other characters on the right part of [ISO/IEC 8859-1] are repeated in [ISO/IEC 8859-2/3/4], and thereby included in the ISO/IEC 10646 LATIN-1 SUPPLEMENT subset.

There is no simple mapping between this ISO/IEC 10646 subset and [ISO/IEC 8859-2/3/4].

III.5 CYRILLIC subset and relationship to ISO/IEC 8859-5

Table III.4 shows the ISO/IEC 10646 CYRILLIC subset, which together with the ISO/IEC 10646 BASIC LATIN and the ISO/IEC 10646 LATIN-1 SUPPLEMENT subsets cover most of the characters defined by [ISO/IEC 8859-5].

The right part of [ISO/IEC 8859-5] maps one-to-one to Cyrillic subset of [ISO/IEC 10646] as illustrated in Table III.4.


More than 70 languages, ranging from Eastern Europe's Slavic languages such as Russian, Ukrainian, Belarussian, Bulgarian, Serbian, and Macedonian, as well as Central Asia's Altaic languages like Azerbaijani, Turkmen, Kurdish, Uzbek, Kazakh, Kirghiz to others such as Tajik and Mongolian, use Cyrillic.

Table III.4 – CYRILLIC vs ISO/IEC 8859-5

		CYRILLIC (UCS-2)							
		008	009	040	041	042	043	044	045
0				А	Р	а	р		
1			Ё	Б	С	б	с	ё	
2			Ђ	В	Т	в	т	ђ	
3			Ѓ	Г	У	г	у	ѓ	
4			Є	Д	Ф	д	ф	є	
5			Ѕ	Е	Х	е	х	ѕ	
6			І	Ж	Ц	ж	ц	і	
7			Ї	З	Ч	з	ч	ї	
8			Ј	И	Ш	и	ш	ј	
9			Љ	Ў	Щ	ў	щ	љ	
A			Њ	К	Ъ	к	ъ	њ	
B			Ћ	Л	Ы	л	ы	ћ	
C			Ќ	М	Ь	м	ь	ќ	
D				Н	Э	н	э		
E			Ў	О	Ю	о	ю	ў	
F			Ѳ	П	Я	п	я	ѳ	
		8	9	A	B	C	D	E	F

ISO/IEC 8859-5:1999

III.6 BASIC GREEK subset and relationship to ISO/IEC 8859-7

 Code point not defined by [ISO/IEC 10646].

[ISO/IEC 8859-7] supports the Greek language.

[ISO/IEC 8859-7] has several characters that are part of either the ISO/IEC 10646 BASIC LATIN or ISO/IEC 10646 LATIN-1 SUPPLEMENT subset.

A major part of the characters of [ISO/IEC 8859-7] is part of the BASIC GREEK subset of [ISO/IEC 10646] and has a one-to-one mapping as illustrated in Table III.5. The four characters in parenthesis are not part of [ISO/IEC 8859-7], but are part of the BASIC GREEK subset.

Table III.5 – BASIC GREEK vs ISO/IEC 8859-7






























BASIC GREEK (UCS-2)

	008	009	037	038	039	03A	03B	03C
0					ι	Π	ϖ	π
1					Α	Ρ	α	ρ
2					Β		β	ς
3					Γ	Σ	γ	σ
4			(´)	´	Δ	Τ	δ	τ
5			(˘)	˘	Ε	Υ	ε	υ
6				Α	Ζ	Φ	ζ	φ
7				·	Η	Χ	η	χ
8				Έ	Θ	Ψ	θ	ψ
9				Η	Ι	Ω	ι	ω
A			(˙)	Ί	Κ	Ϊ	κ	ϊ
B					Λ	Ύ	λ	ϋ
C				Ό	Μ	ά	μ	ό
D					Ν	έ	ν	ύ
E			(˚)	Ύ	Ξ	ή	ξ	ώ
F				Ω	Ο	ί	ο	
	8	9	A	B	C	D	E	F

ISO/IEC 8859-7:2003

III.7 ISO/IEC 10646 ARABIC subset and relationship to ISO/IEC 8859-6

Table III.6 – ISO/IEC 10646 ARABIC vs ISO/IEC 8859-6

		ARABIC (UCS-2)							
		008	009	060	061	062	063	064	065
0				N/A	N/A		ذ	-	َ
1				N/A	N/A	ء	ر	ف	ّ
2				N/A	N/A	آ	ز	ق	°
3				N/A	N/A	أ	س	ك	N/A
4				N/A	ؤ	ش	ل	N/A	
5				N/A	إ	ص	م	N/A	
6					ئ	ض	ن	N/A	
7					ا	ط	ه	N/A	
8					ب	ظ	و	N/A	
9					ة	ع	ى		
A					ت	غ	ي		
B				؛	ث		ّ		
C			،		ج		ء		
D			N/A		ح				
E			N/A		خ		َ		
F			N/A	؟	د		ُ		
		8	9	A	B	C	D	E	F

ISO/IEC 8859-6:1999

The code point for a cell with N/A indicates that the Arabic character having this code point shall not be used.

The code point for a cell filled with downward diagonal stripes is not defined by [ISO/IEC 10646].

Bibliography

- [b-ITU-T E.104] Recommendation ITU-T E.104 (1995), *International telephone directory assistance service and public access*.
- [b-ITU-T X.680] Recommendation ITU-T X.680 (2002) | ISO/IEC 8824-1:2002, *Information technology – Abstract Syntax Notation One (ASN.1): Specification of basic notation*.
- [b-ITU-T X.690] Recommendation ITU-T X.690 (2002) | ISO/IEC 8825-1:2002, *Information technology – ASN.1 encoding rules: Specification of Basic Encoding Rules (BER), Canonical Encoding Rules (CER) and Distinguished Encoding Rules (DER)*.
- [b-ITU-T X.693] Recommendation ITU-T X.693 (2001) | ISO/IEC 8825-4:2002, *Information technology – ASN.1 encoding rules: XML Encoding Rules (XER); Amendment 1 (2003), XER encoding instructions and EXTENDED-XER*.
- [b-IETF RFC 2156] IETF RFC 2156 (1998), *MIXER (Mime Internet X.400 Enhanced Relay): Mapping between X.400 and RFC 822/MIME*.
<<http://www.ietf.org/rfc/rfc2156.txt?number=2156>>
- [b-IETF RFC 3986] IETF RFC 3986 (2005), *Uniform Resource Identifier (URI): Generic Syntax*.
<<http://www.ietf.org/rfc/rfc3986.txt?number=3986>>
- [b-W3C XML 1.0] W3C XML 1.0:2004, *Extensible Markup Language (XML) 1.0 (Third Edition)*, W3C Recommendation, Copyright © [4 February 2004] World Wide Web Consortium, (Massachusetts Institute of Technology, Institut National de Recherche en Informatique et en Automatique, Keio University).
<http://www.w3.org/TR/2004/REC-xml-20040204>
- [b-W3C XSD Part 0] W3C XSD Part 0: Primer:2004, *XML Schema Part 0: Primer (Second Edition)*, W3C Recommendation, Copyright © [28 October 2004] World Wide Web Consortium, (Massachusetts Institute of Technology, Institut National de Recherche en Informatique et en Automatique, Keio University).
<http://www.w3.org/TR/2004/REC-xsd-20041028>
- [b-W3C XSD Part 1] W3C XSD Part 1: Structures:2004, *XML Schema Part 1: Structures (Second Edition)* W3C Recommendation, Copyright © [28 October 2004] World Wide Web Consortium, (Massachusetts Institute of Technology, Institut National de Recherche en Informatique et en Automatique, Keio University).
<http://www.w3.org/TR/2004/REC-xsd-20041028>
- [b-W3C XSD Part 2] W3C XSD Part 2: Data Types:2004, *XML Schema Part 2: Data Types (Second Edition)* W3C Recommendation, Copyright © [28 October 2004] World Wide Web Consortium, (Massachusetts Institute of Technology, Institut National de Recherche en Informatique et en Automatique, Keio University).
<http://www.w3.org/TR/2004/REC-xsd-20041028>

SERIES OF ITU-T RECOMMENDATIONS

Series A	Organization of the work of ITU-T
Series D	General tariff principles
Series E	Overall network operation, telephone service, service operation and human factors
Series F	Non-telephone telecommunication services
Series G	Transmission systems and media, digital systems and networks
Series H	Audiovisual and multimedia systems
Series I	Integrated services digital network
Series J	Cable networks and transmission of television, sound programme and other multimedia signals
Series K	Protection against interference
Series L	Construction, installation and protection of cables and other elements of outside plant
Series M	Telecommunication management, including TMN and network maintenance
Series N	Maintenance: international sound programme and television transmission circuits
Series O	Specifications of measuring equipment
Series P	Terminals and subjective and objective assessment methods
Series Q	Switching and signalling
Series R	Telegraph transmission
Series S	Telegraph services terminal equipment
Series T	Terminals for telematic services
Series U	Telegraph switching
Series V	Data communication over the telephone network
Series X	Data networks, open system communications and security
Series Y	Global information infrastructure, Internet protocol aspects and next-generation networks
Series Z	Languages and general software aspects for telecommunication systems