

International Telecommunication Union

ITU-T

TELECOMMUNICATION
STANDARDIZATION SECTOR
OF ITU

G.100.1

(06/2015)

SERIES G: TRANSMISSION SYSTEMS AND MEDIA,
DIGITAL SYSTEMS AND NETWORKS

International telephone connections and circuits –
Transmission planning and the E-model

**The use of the decibel and of relative levels
in speechband telecommunications**

Recommendation ITU-T G.100.1

ITU-T



ITU-T G-SERIES RECOMMENDATIONS

TRANSMISSION SYSTEMS AND MEDIA, DIGITAL SYSTEMS AND NETWORKS

INTERNATIONAL TELEPHONE CONNECTIONS AND CIRCUITS	G.100–G.199
Transmission planning and the E-model	G.100–G.109
General Recommendations on the transmission quality for an entire international telephone connection	G.110–G.119
General characteristics of national systems forming part of international connections	G.120–G.129
General characteristics of the 4-wire chain formed by the international circuits and national extension circuits	G.130–G.139
General characteristics of the 4-wire chain of international circuits; international transit	G.140–G.149
General characteristics of international telephone circuits and national extension circuits	G.150–G.159
Apparatus associated with long-distance telephone circuits	G.160–G.169
Transmission plan aspects of special circuits and connections using the international telephone connection network	G.170–G.179
Protection and restoration of transmission systems	G.180–G.189
Software tools for transmission systems	G.190–G.199
GENERAL CHARACTERISTICS COMMON TO ALL ANALOGUE CARRIER-TRANSMISSION SYSTEMS	G.200–G.299
INDIVIDUAL CHARACTERISTICS OF INTERNATIONAL CARRIER TELEPHONE SYSTEMS ON METALLIC LINES	G.300–G.399
GENERAL CHARACTERISTICS OF INTERNATIONAL CARRIER TELEPHONE SYSTEMS ON RADIO-RELAY OR SATELLITE LINKS AND INTERCONNECTION WITH METALLIC LINES	G.400–G.449
COORDINATION OF RADIOTELEPHONY AND LINE TELEPHONY	G.450–G.499
TRANSMISSION MEDIA AND OPTICAL SYSTEMS CHARACTERISTICS	G.600–G.699
DIGITAL TERMINAL EQUIPMENTS	G.700–G.799
DIGITAL NETWORKS	G.800–G.899
DIGITAL SECTIONS AND DIGITAL LINE SYSTEM	G.900–G.999
MULTIMEDIA QUALITY OF SERVICE AND PERFORMANCE – GENERIC AND USER-RELATED ASPECTS	G.1000–G.1999
TRANSMISSION MEDIA CHARACTERISTICS	G.6000–G.6999
DATA OVER TRANSPORT – GENERIC ASPECTS	G.7000–G.7999
PACKET OVER TRANSPORT ASPECTS	G.8000–G.8999
ACCESS NETWORKS	G.9000–G.9999

For further details, please refer to the list of ITU-T Recommendations.

Recommendation ITU-T G.100.1

The use of the decibel and of relative levels in speechband telecommunications

Summary

Recommendation ITU-T G.100.1 provides the definition for different logarithmic power level measurement units in current use in telecommunication systems. This Recommendation also provides the relationship amongst those units and usage examples. The text herein is a merger of information that has been previously dispersed over several publications and supersedes the contents of: Recommendation ITU-T B.12, Annex A of Recommendation ITU-T G.100, Annex A of Recommendation ITU-T G.101, Annex B of Recommendation ITU-T Q.551, and clause 3.8 of Recommendation ITU-T G.101.

History

Edition	Recommendation	Approval	Study Group	Unique ID*
1.0	ITU-T G.100.1	2001-11-29	12	11.1002/1000/5596
2.0	ITU-T G.100.1	2015-06-29	12	11.1002/1000/12504

* To access the Recommendation, type the URL <http://handle.itu.int/> in the address field of your web browser, followed by the Recommendation's unique ID. For example, <http://handle.itu.int/11.1002/1000/11830-en>.

FOREWORD

The International Telecommunication Union (ITU) is the United Nations specialized agency in the field of telecommunications, information and communication technologies (ICTs). The ITU Telecommunication Standardization Sector (ITU-T) is a permanent organ of ITU. ITU-T is responsible for studying technical, operating and tariff questions and issuing Recommendations on them with a view to standardizing telecommunications on a worldwide basis.

The World Telecommunication Standardization Assembly (WTSA), which meets every four years, establishes the topics for study by the ITU-T study groups which, in turn, produce Recommendations on these topics.

The approval of ITU-T Recommendations is covered by the procedure laid down in WTSA Resolution 1.

In some areas of information technology which fall within ITU-T's purview, the necessary standards are prepared on a collaborative basis with ISO and IEC.

NOTE

In this Recommendation, the expression "Administration" is used for conciseness to indicate both a telecommunication administration and a recognized operating agency.

Compliance with this Recommendation is voluntary. However, the Recommendation may contain certain mandatory provisions (to ensure, e.g., interoperability or applicability) and compliance with the Recommendation is achieved when all of these mandatory provisions are met. The words "shall" or some other obligatory language such as "must" and the negative equivalents are used to express requirements. The use of such words does not suggest that compliance with the Recommendation is required of any party.

INTELLECTUAL PROPERTY RIGHTS

ITU draws attention to the possibility that the practice or implementation of this Recommendation may involve the use of a claimed Intellectual Property Right. ITU takes no position concerning the evidence, validity or applicability of claimed Intellectual Property Rights, whether asserted by ITU members or others outside of the Recommendation development process.

As of the date of approval of this Recommendation, ITU had not received notice of intellectual property, protected by patents, which may be required to implement this Recommendation. However, implementers are cautioned that this may not represent the latest information and are therefore strongly urged to consult the TSB patent database at <http://www.itu.int/ITU-T/ipr/>.

© ITU 2015

All rights reserved. No part of this publication may be reproduced, by any means whatsoever, without the prior written permission of ITU.

Table of Contents

	Page
1	Scope..... 1
2	References..... 1
3	Definitions 2
3.1	Terms defined elsewhere 2
3.2	Terms defined in this Recommendation..... 2
4	Abbreviations and acronyms 2
5	Conventions 2
6	Fundamentals about dB 2
6.1	Loss and gain 3
6.2	The letter "p" in "dBmp" and "dBm0p" 5
6.3	Correction factors 5
6.4	Signal-to-noise ratio 7
6.5	Sound pressure level..... 7
7	The use of a reference signal 7
8	Relationships between the units "dBm","dBr" and "dBm0" 9
8.1	General 9
8.2	The unit "dB" 10
8.3	The unit "dBm" 10
8.4	The unit "dBr" 11
8.5	The unit "dBm0" 12
8.6	The relationship between dBm, dBr and dBm0 13
8.7	The unit "dBov" 13
8.8	Relationship between overload (dBov) and maximum levels (dBm0) 14
9	The concept of "relative levels" 15
9.1	General principles..... 15
9.2	Circuits and connections..... 16
9.3	The speech signal and the dynamic range of the voice channel..... 17
9.4	Relative level designations for a digital path 20
9.5	Relative levels in equipment design, specification and testing 21
9.6	Relative levels in transmission planning and maintenance 24
Appendix I – The neper 27	
I.1	Introduction 27
I.2	Definition of the neper..... 27
I.3	Use of the decibel and of the neper 27
Bibliography..... 28	

Recommendation ITU-T G.100.1

The use of the decibel and of relative levels in speechband telecommunications

1 Scope

In transmission engineering, most often it would be rather impractical to characterize the magnitude of signals directly by a numerical value in volts or watts. Instead, a logarithmic measure is used, expressed in "dB", to characterize the signal magnitude in relation to some chosen reference value. Designations commonly used are "power level difference", "voltage level difference", etc., all expressed in "dB". A level difference from a standard situation is described simply as "level". Loss and gain are also measured in "dB".

The term "relative levels" has been a very useful term in transmission planning for the last 40 years and is expected to be so in the future. However, the public switched telephone networks have changed considerably in these years. Especially with the introduction of digital exchanges which causes some uncertainty concerning the application of relative levels and necessitates some changes in the traditional way of applying relative levels. In this Recommendation, relative levels and associated terms are explained and examples are shown to clarify these concepts.

Guidance on the use of decibels in the field of sound transmission and radio frequencies can be found in [ITU-R V.574-4].

Notations for expressing the reference of a level can be found in Part 5 of [IEC 60027-3].

2 References

The following ITU-T Recommendations and other references contain provisions which, through reference in this text, constitute provisions of this Recommendation. At the time of publication, the editions indicated were valid. All Recommendations and other references are subject to revision; users of this Recommendation are therefore encouraged to investigate the possibility of applying the most recent edition of the Recommendations and other references listed below. A list of the currently valid ITU-T Recommendations is regularly published. The reference to a document within this Recommendation does not give it, as a stand-alone document, the status of a Recommendation.

- [ITU-T G.111] Recommendation ITU-T G.111 (1993), *Loudness ratings (LRs) in an international connection.*
- [ITU-T G.121] Recommendation ITU-T G.121 (1993), *Loudness ratings (LRs) of national systems.*
- [ITU-T G.223] Recommendation ITU-T G.223 (1988), *Assumptions for the calculation of noise on hypothetical reference circuits for telephony.*
- [ITU-T G.711] Recommendation ITU-T G.711 (1988), *Pulse code modulation (PCM) of voice frequencies.*
- [ITU-T G.712] Recommendation ITU-T G.712 (2001), *Transmission performance characteristics of pulse code modulation channels.*
- [ITU-T G.722] Recommendation ITU-T G.722 (2012), *7 kHz audio-coding within 64 kbit/s.*
- [ITU-T O.41] Recommendation ITU-T O.41 (1994), *Psophometer for use on telephone-type circuits.*
- [ITU-T P.56] Recommendation ITU-T P.56 (2011), *Objective measurement of active speech level.*

- [ITU-T P.79] Recommendation ITU-T P.79 (2007), *Calculation of loudness ratings for telephone sets.*
- [ITU-R V.574-4] Recommendation ITU-R V.574-4 (2000), *Use of the decibel and the neper in telecommunications.*
- [IEC 60027-3] IEC 60027-3:2002, *Letter symbols to be used in electrical technology – Part 3: Logarithmic and related quantities, and their units.*
- [IEC 60651] IEC 60651:1979, *Sound level meters.*

3 Definitions

3.1 Terms defined elsewhere

None.

3.2 Terms defined in this Recommendation

None.

4 Abbreviations and acronyms

This Recommendation uses the following abbreviations and acronyms:

CLR	Circuit Loudness Rating
DRS	Digital Reference Sequence
FDM	Frequency Division Multiplexing
LR	Loudness Rating
MNRU	Modulated Noise Reference Unit
PBX	Private Branch exchange
PCM	Pulse Code Modulation
RLR	Receive Loudness Rating
RMS	Root Mean Square
SPL	Sound Pressure Level
SLR	Send Loudness Rating
TRP	Transmission Reference Point

5 Conventions

None.

6 Fundamentals about dB

The *bel* (symbol B) expresses *the ratio of two powers* by the decimal logarithm of this ratio. This unit is not often used, having been replaced by the *decibel* (symbol dB), which is one-tenth of a bel.

The decibel may be used to express the ratio of two *field quantities*, such as voltage, current, sound pressure, electric field, charge velocity or density, the square of which in linear systems is proportional to power. To obtain the same numerical value as a power ratio, the logarithm of the field quantity ratio is multiplied by the factor 20, assuming that the impedances are equal.

The relationship between a current or voltage ratio and that of the corresponding power ratio is impedance dependent. Use of the decibel when the impedances are not equal is not appropriate unless adequate information is given concerning the impedances involved.

The "dB" is a very practical unit which can be used in many different applications.

Comparing two signal powers P_1 mVA and P_2 mVA, P_1 is said to be at an L dB higher (power) level than P_2 , where

$$L = 10 \cdot \log \frac{P_1}{P_2} \quad [\text{dB}] \quad (6-1)$$

Comparing two voltages, V_1 volts and V_2 volts, V_1 is said to be at an L dB higher (voltage) level than V_2 , where

$$L = 20 \cdot \log \frac{V_1}{V_2} \quad [\text{dB}] \quad (6-2)$$

Note that "power" depends on the square of "voltage", hence the coefficient 10 in equation (6-1) and the coefficient 20 in equation (6-2).

Equation (6-2) is also used for quantities other than volts, for instance, currents, acoustic pressure, etc. Note that the term (V_1/V_2) must be a dimensionless quantity. This is automatically fulfilled when V_1 and V_2 represent two amplitudes of the same kind. Otherwise, V_1 and V_2 must each be referred to specific reference values of the proper dimension. (For instance, the send sensitivity of a telephone set is described as the relationship between the input pressure in Pascal and the output voltage in volts, expressed as "dB rel. 1V/Pa".)

6.1 Loss and gain

The unit dB is also used to characterize loss or gain (of power or voltage) in a system.

Figure 1 shows how a voltage loss may be defined and calculated. The voltage loss is equal to the voltage level difference between port a) and port b).

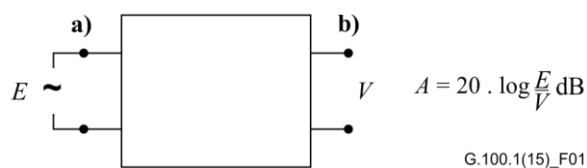


Figure 1 – Example of voltage loss from port a) to port b)

A special case is the return loss A_r which gives a measure of the mismatch between two impedances Z_1 and Z_2 . (A_r can be described as the voltage loss between the incident and the reflected signal at the point of mismatch.) The expression for A_r is:

$$A_r = 20 \cdot \log \left| \frac{Z_1 + Z_2}{Z_1 - Z_2} \right| \quad [\text{dB}] \quad (6-3)$$

For passive, reciprocal two-ports (like analogue, passive filters) it has been found practical to base the loss concept on the power level difference between the so-called apparent powers at the input and the output of the two-port. (It can be shown that for such types of circuits this definition of loss results in the same loss for both directions of transmission.)

Figure 2 depicts the configuration.

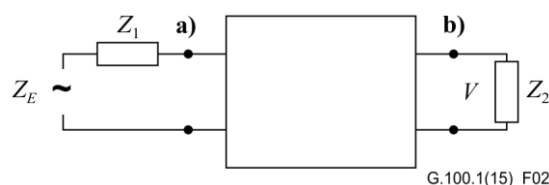


Figure 2 – Example for apparent power loss calculation

Note that the signal generator in Figure 2 produces a single-frequency tone.

The reference apparent power P_1 from the generator is defined to be obtained when the load is equal to the generator impedance Z_1 . With the designation P_2 for the output apparent power we get:

$$P_1 = \frac{E^2}{|Z_1|} \quad P_2 = \frac{V^2}{|Z_2|} \quad (6-4)$$

Thus, the (apparent power) loss is:

$$A = 10 \cdot \log \frac{P_1}{P_2} \quad [\text{dB}] = 20 \cdot \log \sqrt{\frac{|Z_1|}{|Z_2|}} \cdot \frac{E}{V} \quad [\text{dB}] \quad (6-5)$$

However, in telephone networks the transmission chain consists of cascaded units which contain amplifiers and 4-wire loops which are non-reciprocal and therefore the loss concept in equation (6-5) needs some modification in order to remain practical.

As long as the impedances Z_1 and Z_2 are real and constant with frequency, equation (6-5) is still used as a definition of loss. "Apparent power" (expressed in mVA) is in this case equal to "active power" (expressed in mW).

When one or both of the impedances are complex and varying with frequency, the transfer of "apparent power" at different frequencies is not an adequate measure of circuit performance. One of the reasons why is that the active components in the chain react on input voltage, not on apparent power.

Therefore, a circuit in accordance with Figure 2 is defined as having a flat frequency response when

$$20 \cdot \log \frac{E}{V} = \text{constant} \quad (6-6)$$

irrespective of how the (given) impedances Z_1 and Z_2 vary with frequency.

To retain the coupling to the power concept, the nominal loss A_0 is defined as the apparent power loss at a reference frequency $F_0 = 1020$ Hz as follows:

$$A_0 = 20 \cdot \log \frac{E(F_0)}{V(F_0)} \sqrt{\frac{|Z_2(F_0)|}{|Z_1(F_0)|}} \quad [\text{dB}] \quad (6-7)$$

Thus, the frequency-dependent loss of a circuit in accordance with Figure 2 is defined as:

$$A(f) = 20 \cdot \log \frac{E(f)}{V(f)} \sqrt{\frac{|Z_2(F_0)|}{|Z_1(F_0)|}} \quad [\text{dB}] \quad (6-8)$$

The losses of cascaded units can be added to get the total overall loss of the chain provided the impedance mismatching at the interconnection points is reasonably small.

NOTE 1 – These loss definitions also apply for electro-acoustic parameters, such as telephone set sensitivities. In this case, however, for the send characteristics the input voltage in volts is divided by the output sound

pressure in Pascal and vice versa for the receive characteristics. (Corrections are to be applied if the nominal impedance is not 600 ohms.)

NOTE 2 – The concept of apparent power at a frequency different from the reference frequency of 1020 Hz is irrelevant.

NOTE 3 – The receive characteristic of a telephone set is usually rather flat with frequency within the transmitted speech band. The send characteristic often has a pronounced pre-emphasis at the high end of the frequency band.

6.2 The letter "p" in "dBmp" and "dBm0p"

The additional small letter "p" is derived from the French word "ponderé" for "weighted" and means that the considered value is a noise level, measured by a psophometer with a special noise weighting filter included as described in [ITU-T O.41].

6.3 Correction factors

Depending on the type of test instruments, auxiliary equipment and test objects, sometimes correction factors need to be used, to either adjust the correct test signal level, or to obtain the correct test result. This mainly occurs in conjunction with capacitive complex impedances.

In practice, test instruments may be used with input/output impedances of only 600 Ω resistive and consequently send levels or displayed results referred to 1 mW. To provide the correct termination of test objects with complex impedances, auxiliary devices called "impedance converters" are used. The principle of such an impedance converter is shown in Figure 3 in the application for sending and in Figure 4 for receiving.

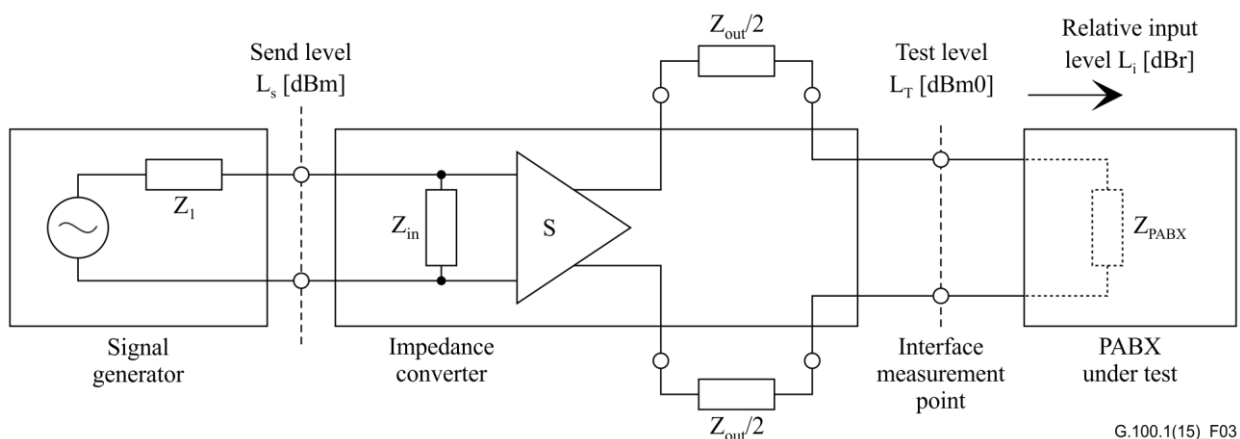


Figure 3 – Impedance converter in the sending path

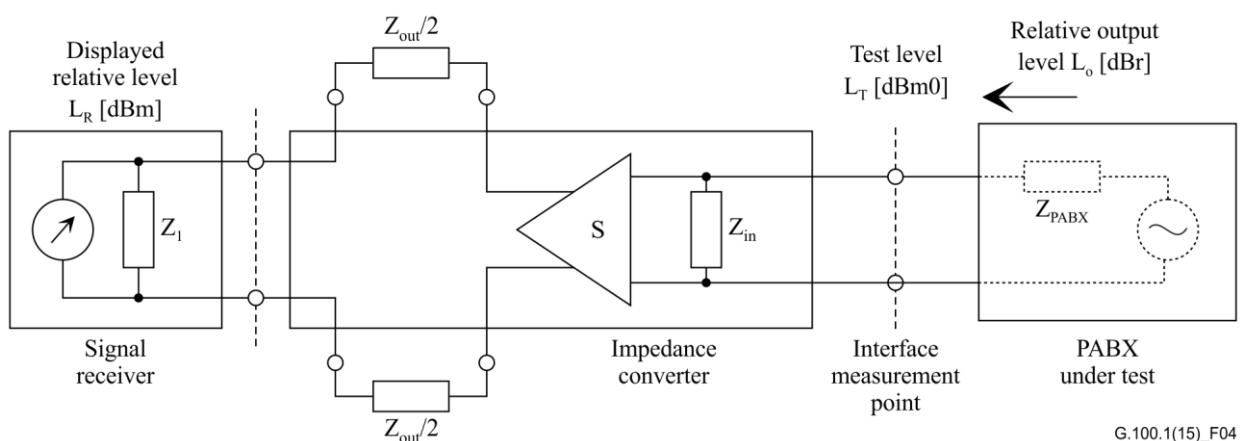


Figure 4 – Impedance converter in the receive path

An advantageous design is to obtain a power transfer ratio of 1 at the reference frequency of 1020 Hz, if terminated with the respective nominal impedances at input and output. In this case the voltage gain "s" of the inserted amplifier is:

$$s = 6 + 10 \cdot \log \frac{Z_{out}}{Z_{in}} \quad [\text{dB}] \quad (6-9)$$

This formula is valid for the send and receive parts of an impedance converter. It should be noted, that if Z_{out} or Z_{in} is a complex impedance, the modulus at the reference frequency of 1020 Hz has to be used.

For impedance converters in the application with different complex impedances the gain "s" is normally only adjusted to 6 dB (power transfer ratio = 1 only, if $Z_{in} = Z_{out}$) and correction values are used as shown in clauses 6.3.1 and 6.3.2.

6.3.1 Sending a test signal

In this application (see Figure 3) Z_{in} is exactly matched to the impedance Z_i of the signal generator (e.g., 600 Ω) and Z_{out} is the nominal value of the interface impedance Z_{PBX} of the private branch exchange (PBX) under test.

To obtain the required test level L_T in dBm0 at the IMP, the necessary send level L_S in dBm of the signal generator can be calculated as follows:

$$L_S \quad [\text{dBm}] = L_T \quad [\text{dBm0}] + L_i \quad [\text{dBr}] + 10 \cdot \log \frac{Z_{out}}{Z_{in}} \quad (6-10)$$

Example 1: For an interface of the PBX under test with an input relative level $L_i = -5$ dBr and a nominal impedance $Z_{PBX} = 842 \Omega$ (modulus at 1020 Hz for a 3-element complex impedance with $270 \Omega + 750 \Omega // 150 \text{ nF}$) a test level of $L_T = -10$ dBm0 shall be provided. What is the necessary send level L_S in dBm at a signal generator with 600 Ω impedance? Applying equation (6-10) the following result for L_S is obtained:

$$L_S = -10 \text{ dBm0} + (-5 \text{ dBr}) + 10 \cdot \log \frac{842}{600}$$

$$L_S = -13.53 \text{ dBm}$$

6.3.2 Receiving a test signal

For receiving (see Figure 4), Z_{out} is exactly matched to the instrument impedance Z_i and Z_{in} provides the nominal termination of the IUT with the impedance Z_{PBX} .

To obtain the correct (received) test level L_T in dBm0 at the IMP, the displayed receive level L_R in dBm at the signal receiver needs to be corrected, using the following formula:

$$L_T \quad [\text{dBm0}] = L_R \quad [\text{dBm}] - L_o \quad [\text{dBr}] + 10 \cdot \log \frac{Z_{out}}{Z_{in}} \quad (6-11)$$

Example 2: Assuming the same impedances for the test instrument (600 Ω) and the PBX under test (842 Ω) as in example 1, but with an output relative level of $L_o = -7$ dBr, what is the correct received test level L_T if the signal receiver readout is $L_R = -50$ dBm? Applying equation (6-11) the following result for L_T is obtained:

$$L_T = -50 \text{ dBm} - (-7 \text{ dBr}) + 10 \cdot \log \frac{600}{842}$$

$$L_T = -44.47 \text{ dBm0}$$

6.4 Signal-to-noise ratio

The signal-to-noise ratio can be either the ratio of the signal power (P_S) to the noise power (P_N), or the ratio of the signal voltage (U_S) to the noise voltage (U_N) measured at a given point with specified conditions. It is expressed in decibels:

$$R = 10 \cdot \log\left(\frac{P_S}{P_N}\right) \text{ [dB]} \quad \text{or} \quad R = 20 \cdot \log\left(\frac{U_S}{U_N}\right) \text{ [dB]} \quad (6-12)$$

The ratio of the wanted signal to the unwanted signal is expressed in the same way.

6.5 Sound pressure level

The sound pressure level (SPL) is the logarithm, generally expressed in decibels, of the ratio of sound pressure and a reference pressure, often 20 μPa but typically referenced to 1 Pa in telephony. Usually the sound pressure when referenced to 20 μPa is called dB_{SPL} .

Example:

$$15 \text{ dB}(20 \mu\text{Pa}) \text{ or } 15 \text{ dB}_{\text{SPL}}$$

As acoustic power is linked to the square of sound pressure, this means:

$$20 \log(p / 20 \mu\text{Pa}) = 15 \text{ dB}_{(20 \mu\text{Pa})}$$

In the ratio ($p/20 \mu\text{Pa}$) or ($p/1 \text{ Pa}$), it is evident that both sound pressures must be expressed in the same units.

Often the sound pressure level is weighted in order to take into account the human ear sensitivity in frequency. For the absolute acoustic pressure level, $\text{dB}_{\text{SPL}}(\text{A})$ (or $\text{dB}_{\text{SPL}}(\text{B})$, $\text{dB}_{\text{SPL}}(\text{C})$) refers to the weighted acoustic pressure level with respect to 20 μPa , mentioning the weighting curve used (curves A, B or C, see [IEC 60651]). The same weighting can also be applied when referring the sound pressure to 1 Pa (e.g., $\text{dBPa}(\text{A})$).

7 The use of a reference signal

The concept of a "reference signal" sent through the network is very useful to visualize the signal transmission in general.

In the analogue parts of the network, the defined reference signal is a tone of the frequency 1020 Hz, the reference frequency F_0 . Its magnitude is determined in such a way that it would have an apparent power value of 1 mVA at a certain level reference point. (Note that instead of mVA, the ITU-T has traditionally used the designation "mW".)

A level reference point may exist physically or only fictitiously. How it is located within an item of equipment or a circuit is discussed in clause 9.

In general a level reference point in the analogue part of the network has a complex nominal impedance Z_n whose modulus $|Z_n|$ varies with frequency. Thus, in this reference point, the voltage of the reference signal is:

$$V(F_0) = \sqrt{0.001 \cdot |Z_n(F_0)|} \text{ [V]} \quad (7-1)$$
$$Z_n(F_0) \text{ [\Omega]}$$

NOTE – In earlier systems, the nominal impedance at an analogue level reference point was always resistive and constant with frequency. However, the modern trend is to use complex impedances in the 2-wire parts of the network.

The reference signal is said to have an absolute level of 0 dBm at the level reference point. (Note that actual test signals most often are specified at levels 10 dB lower than this reference signal.)

In a digital path the reference signal corresponds to a special case of the pulse code modulation (PCM) digital reference sequence, namely the digital reference sequence (DRS), with the frequency of 1020 Hz.

The unit dBm is also used to characterize the absolute level of a tone of a frequency which is different from the reference frequency F_0 . If the absolute level of the signal is stated to be L dBm at a point of nominal impedance Z_n , the voltage is defined as:

$$V(f) = \sqrt{0.001 \cdot |Z_n(F_0)|} \cdot 10^{L/20} \quad [\text{V}] \quad (7-2)$$

Note especially that the modulus of the nominal impedance in equation (7-2) is always to be taken at the reference frequency F_0 . (This is in accordance with the principle previously mentioned in clause 6.)

How shall the magnitude of complex signals be evaluated properly (i.e., signals having a broad spectrum instead of a single tone)?

First the case of the signal working on a resistive constant impedance will be discussed. For frequency division multiplexing (FDM) systems, the performance is affected by the total power injected in the channels. As the FDM voice-band channel input impedances are designed to be resistive = R , the power is determined simply by a voltage-square-average, divided by the input resistance R :

$$P = \frac{1}{F_2 - F_1} \cdot \int_{F_1}^{F_2} \frac{V^2(f)}{0.001 \cdot R} \cdot df \quad [\text{mW}] \quad (7-3)$$

where:

$$V(f) = \text{spectral voltage} / \sqrt{\text{Hz}}$$

$$R \quad \text{in ohms}$$

$$F_1, F_2 \quad \text{in Hz, the band-limits of the signal.}$$

The result can thus be expressed as an absolute level in dBm, i.e., in this case dB relative to an active power of 1 mW.

$$L = 10 \cdot \log P \quad [\text{dBm}] \quad (7-4)$$

When the dBm-value of a voice signal acting on a constant-resistance load is calculated in this way, a fairly accurate prediction can be made of many parameters, such as for instance, peak voltages and their statistical distribution with time.

In modern voiceband equipment, such as digital exchanges, however, the signals pass interfaces with complex nominal impedances. The transfer is made on a voltage basis as mentioned previously and the active elements are sensitive to voltage, not power. The proper signal magnitude evaluation thus must also be based on voltage. To retain the principles applied for the FDM case, the signal "magnitude measure" is taken to be a voltage-square-average, but divided by the modulus of the nominal complex impedance $Z_n(F_0)$ at the reference frequency F_0 .

$$P = \frac{1}{F_2 - F_1} \cdot \int_{F_1}^{F_2} \frac{V^2(f)}{0.001 \cdot |Z_n(F_0)|} \cdot df \quad [\text{mVA}] \quad (7-5)$$

The corresponding level is given by equation (7-4).

Note that P in equation (7-5) also has the dimension of mVA or, as traditionally used in ITU-T, of mW. Therefore, the magnitude of a complex signal sometimes is stated in mW or pW on the basis of equation (7-5). This is quite useful for noise signals, because the pWs of uncorrelated signals can be

added to get the total pW. (Note, however, that this power concept has nothing to do with apparent power.)

The magnitude of normal voice signals can be measured by means of special instruments. Formerly it was the practice to use the so-called VU meter. Now, instruments in accordance with [ITU-T P.56] are preferred, (both these types are based on voltage-square evaluation). From the instrument readings, such properties as long- and short-time power, peak values, etc., may be determined.

When an electric signal is transformed into acoustic pressure by the telephone receiver, the human hearing characteristics must be taken into account in order to determine the proper signal magnitude the listener perceives. For noise signals, this is done by adding a psophometric weighting $W(f)$ dB, which is specified in [ITU-T O.41]. (Note that the weighting includes the response of a "typical" telephone receiver, pressed hard against the listener's ear, i.e., the receiver's frequency response is quite flat within the speech band up to about 3.4 kHz, where band-limiting begins.)

The corresponding psophometric power is:

$$P = \frac{1}{F_2 - F_1} \cdot \int_{F_1}^{F_2} \frac{V^2(f)}{0.001 \cdot |Z_n(F_0)|} \cdot 10^{W(f)/10} \cdot df \quad [\text{mVA}] \quad (7-6)$$

Here, $F_1 = 16.66$ Hz, $F_2 = 6000$ Hz

The absolute psophometric level is designated dBmp:

$$L_p = 10 \cdot \log P_p \quad [\text{dBmp}] \quad (7-7)$$

An instrument performing a psophometric weighting, including a certain time constant, is termed "psophometer", the performance of which is specified in [ITU-T O.41].

In transmission planning it is important to know the electro-acoustic losses voice signals are subjected to when passing through the network. These losses are termed "loudness ratings" and are also measured in dB. Note, however, that it is not appropriate to determine loudness ratings as a difference in readings of speech levels (volumes), using a VU-meter, a P.56-instrument or a psophometer. The reason is that for loudness rating the signal weighting is different from the one used for speech level evaluation. For loudness ratings the weighting depends on the voice signal level and is made over an approximately logarithmic frequency scale (see [ITU-T P.79]).

For voice signals at normal levels the signal weighting is done approximately as a dB average. Send loudness rating (SLR) and receive loudness rating (RLR) are measured using instruments specified in the P-series Recommendations. The circuit loudness rating (CLR), i.e., the loudness loss a typical circuit element like a subscriber cable introduces, is best determined by computation. Note that the nominal loss A_0 as defined by equation (6-7) turns out to be a good measure of CLR.

For weaker, voice-derived signals, the signal weighting is different. For listener's echoes it is done as a voltage average, for talker's echoes and crosstalk as a voltage-square average. (For brevity, in this context voltage-square additions are sometimes called power addition.)

Further information is found in Annex A of [ITU-T G.111] and in the P-series Recommendations.

8 Relationships between the units "dBm", "dBr" and "dBm0"

8.1 General

Transmission values for loss, gain and levels are expressed in decibels (dB) as a general principle. The basic unit "dB" is often extended with additional letters in order to distinguish between its use in different applications. The aim of this clause is to give a short description of the most common forms as used for transmission measurements at speech-band frequencies as well as an introductory

explanation of certain transmission planning applications. See clause 9 for a more complete discussion.

8.2 The unit "dB"

This basic unit is mainly used for losses, gains, return losses, etc., i.e., as a logarithmic ratio between two values which can be voltages, currents, powers, acoustic pressures, etc. If the ratio is X for voltages, currents or pressures, the dB expression is $20 \log(X)$. If the ratio is Y for powers, the dB expression is $10 \log(Y)$.

8.3 The unit "dBm"

This unit with an additional "m" is used as a logarithmic measure of the "magnitude" P of an actual signal. The "dBm value" of a signal is called its "absolute power level" or "absolute level".

The signal magnitude P used for signal characterization in speech-band applications has the dimension of power, expressed in mW or mVA, and has by definition the form:

$$P = \frac{1000 \cdot V^2}{|Z(f_0)|} \quad [\text{mW}] \text{ or } [\text{mVA}] \quad (8-1)$$

where:

V : the root mean square (rms) value in volts of the voltage across the test impedance Z which in the general case is complex and frequency dependent;

$Z(f_0)$: the value of the test impedance in ohms at the (sinusoidal) reference frequency $f_0 = 1020$ Hz.

The choice of this definition is based on three conventions:

- 1) firstly, it is practical to characterize the signal magnitude by a unit that has the dimension of power because this has been the practice for the special case of resistive terminations;
- 2) secondly, electronic circuits are designed to react on voltages, i.e., the open-circuit output voltage of, for instance, an amplifier depends only upon the voltage across its input terminals, irrespective of the input and output impedances of the amplifier. Thus, the "power" absorbed by the input impedance of the amplifier has no influence on how the signal is amplified. Hence the use of a constant impedance value in the denominator instead of a frequency-dependent impedance;
- 3) thirdly, for a sinusoidal signal with the reference frequency (1020 Hz) the numeric value of P shall be equal to the apparent power absorbed by Z , when this is complex, which is the same as the active power when Z is resistive.

Note that P is equal to the active power absorbed by the test impedance Z only when the latter is purely resistive and constant with frequency, for instance when $Z = 600 \Omega$. Then P is measured in mW, otherwise P is measured in mVA. However, when Z is complex, the value of P does not represent the apparent power absorbed by the test impedance at other frequencies than the reference frequency of 1020 Hz.

The definition for the so-called absolute power level L is:

$$L = 10 \cdot \log \frac{P}{P_0} \quad [\text{dBm}] \quad (8-2)$$

where:

P : the power in mW to be stated;

P_0 : the reference value which is $P_0 = 1$ mW.

Likewise, in the speech band the loss between two analogue points 1 and 2 is defined to be:

$$A(f) = 10 \cdot \log \frac{P_1(f)}{P_2(f)} \text{ [dB]} = 20 \cdot \log \frac{V_1(f)}{V_2(f)} \sqrt{\frac{Z_2(f_0)}{Z_1(f_0)}} \text{ [dB]} \quad (8-3)$$

Sometimes the unit "dBm" is used in conjunction with a voltage level, referred to a voltage of 0.775 V. The use of "dBm" in this application is only correct if the test impedance is 600 Ω resistive since 0.775 V across 600 Ω results in the reference active power of 1 mW. This fact is important to remember if capacitive complex interfaces or test impedances are used.

8.4 The unit "dBr"

This unit is used to characterize "relative levels", i.e., to express the level relations for signals between points in a signal path, with the convention that one of the points is designated as a level reference point with the relative level 0 dBr.

More specifically, a sinusoidal reference signal of 1020 Hz in the speech band is thought to pass the signal path under consideration with such an amplitude that its absolute level is 0 dBm at the 0 dBr point. The relative level in dBr at any other point in this signal path is then equal to the level (in dBm) that the reference signal has at that point. (Note that relative level designations should be used for both transmission directions.)

If the level reference point is digital, normally the reference signal is thought of as being decoded by an ideal decoder at which output terminal a power of 1 mW is produced, termination 600 Ω resistive (see clause 8).

The relative level concept is very practical for the transmission aspects of telecommunications in several ways. It is a method for matching the power handling capacity of the transmission equipment in a connection to the levels of the actual signals in the network. Loss and gain in the network can be specified by means of relative levels. In addition, relative levels can be used to characterize parameters of certain components of the equipment.

Note however that the application rules for relative levels depend on the context in which they are used.

It is immediately apparent that the differences of the relative levels between two points, which have the same level reference point, correspond to the loss or gain between those two points (at the reference frequency).

Moreover, relative levels are used to characterize the "power" handling capabilities of components (such as codecs) and equipment on the one hand and the expected levels of actual signals in the network on the other hand. This is discussed in more detail in the following clauses.

The "signal path under consideration", for which a specific 0 dBr reference point is designated, can encompass:

- a) a single component, such as an encoder or decoder;
- b) an item of equipment, such as a half-channel of a digital exchange;
- c) a circuit in the sense of the ITU-T definition, i.e., the fixed connection between two exchanges.

In the first two cases, the "power handling capability" is the guiding principle for the allocation of a level reference point. For the third case, the "expected absolute levels of actual signals" determines the choice of the level reference point.

The aim is to match the component performance to the requirement for the equipment performance which in turn should be matched to the actual range of signal levels. However, it is not always possible to achieve this exactly. For this and other reasons, the allocation of the 0 dBr reference point in the

signal path may be chosen differently in the three cases above, i.e., when the component is considered alone, when it is considered as part of the equipment, and when the equipment is a part of the circuit. This means that the relative level designation for a certain point sometimes may differ in these three cases, a fact which should be remembered when discussing relative levels.

NOTE – It would be easy to surmise that there is only one level reference point in the network to which all relative levels are referred. However, this is not the case. As a matter of fact, in a complete connection, several different level reference points can be designated. These may also be different from those chosen when the parts of the transmission links are considered separately in the context of parameters for equipment or components. Thus, when stating the relative level at a point, it should be made quite clear in which context this relative level applies.

A more detailed discussion of the various applications of relative levels is given in clause 9.

Note that a so-called "level jump" may be introduced at the interconnection point between two (ITU-T) circuits. Thus, the loss or gain between two points belonging to two different circuits is not always equal to the difference in their (circuit) relative levels. Such an example is the case of the input and output relative levels of a digital exchange having no digital loss or gain pads. When the exchange is considered as an equipment, the difference between the (equipment) input and output relative levels gives the loss through the exchange because the two half-channels have the same level reference point. When the exchange is considered as a part of a connection, the two half-channels belong to two different (ITU-T) circuits which are interconnected "in the middle of" the switching matrix. The (circuit) input and output relative levels for the exchange, which are stated in the transmission plan for the connection, can differ from the specified (equipment) relative levels. This is because the (circuit) relative levels refer to two separate level reference points, each determined by estimation of expected signal levels in the two circuits (in general, however, the differences are not very large).

For the purpose of equipment parameter specification and transmission measurement, which is of interest here, the "power handling capability" is the governing factor for the choice of the 0 dBr level reference point. In this context, the digital 64 kbit/s PCM bit stream is considered as having a relative level of 0 dBr, provided that there are no digital loss or gain pads in its path. Ideal encoders and decoders connected to the bit stream are defined as having 0 dBr relative levels at their analogue ports when their clipping level for a sinusoidal signal lies at +3.14 dBm (A-law). The relative level for real encoders and decoders connected to the bit stream is determined by means of the actual clipping levels in relation to the clipping levels of the ideal codecs.

When a digital loss or gain pad is included in the digital bit stream, a choice has to be made on which side of the pad the bit stream is to be assigned to 0 dBr. In the context of equipment specification and transmission measurement, it has been found most practical to apply a convention that a digital bit stream should never be assigned a higher relative level than 0 dBr. This means that:

- a) a digital pad with L dB loss has the relative levels of 0 dBr at the input and $-L$ dBr at the output;
- b) a digital pad with G dB gain has the relative levels of $-G$ dBr at the input and 0 dBr at the output.

Note that in the context of transmission planning, a digital bit stream sometimes may be assigned a relative level which is different from 0 dBr even if there is no digital pad in the digital path (see clause 9.4).

Clause 9.5.3 lists another couple of possible choices of the 0 dBr point in digital exchanges.

8.5 The unit "dBm0"

When using an additional "m" and "0" (zero) with the basic "dB", the level under consideration is expressed as the absolute level (dBm) of the same signal that would be measured at the relevant 0 dBr level reference point.

This term is used in conjunction with transmission measurements to specify test levels and test results; the term also facilitates the comparison of the power levels of different signals by referring them to a common reference point, i.e., the 0 dBr reference point. Networks are often designed to carry different types of signals (speech, modem, fax, etc.) at different levels, expressed in dBm0.

8.6 The relationship between dBm, dBr and dBm0

The relationship between relative levels at interfaces, which have the same level reference point and the resulting transmission loss or gain " L ", is given by the formula:

$$L = L_i - L_o \quad (8-4)$$

where L_i and L_o are the relative input and output levels at the interfaces.

The relationship between the terms dBm, dBr and dBm0 can be expressed by the following formula:

$$\text{dBm} = \text{dBm0} + \text{dBr} \quad (8-5)$$

$$\text{dBmp} = \text{dBm0p} + \text{dBr (for weighted noise)} \quad (8-6)$$

or:

$$\text{dBm0} = \text{dBm} - \text{dBr (general)} \quad (8-7)$$

$$\text{dBm0p} = \text{dBmp} - \text{dBr (for weighted noise)} \quad (8-8)$$

Example 1: The test level for an interface with an input relative level of $L_i = -2$ dBr, is required to be -10 dBm0. To what absolute power level in dBm should the signal generator be adjusted?

$$\begin{aligned} \text{dBm} &= \text{dBm0} + \text{dBr} \\ &= -10 + (-2) = -12 \text{ dBm} \end{aligned}$$

Example 2: The dial-tone level at an interface with an output relative level of $L_o = -7$ dBr was measured with -19 dBm. Does this value meet the requirement given with ≤ -15 dBm0 for this type of interface?

$$\begin{aligned} \text{dBm0} &= \text{dBm} - \text{dBr} \\ &= -19 - (-7) = -12 \text{ dBm0} \end{aligned}$$

The result shows that the dial-tone level is outside the limit.

NOTE – Some modern test instruments also provide an automatic adjustment of the correct absolute test level, as the necessary correction of received levels and display the results in "dBm0". In those cases the above given calculation can be avoided; however, an additional adjustment (besides the test level itself) is required, to adapt the test instrument to the relative input and output levels of the test object.

8.7 The unit "dBov"

In the process of specifying speech coders and other signal processing devices, it is customary to express the codec input level specification in terms of dBs relative to the overload point of the digital system. This is a more convenient way to represent levels relative to the maximum power that can be stored in fixed- or floating-point format of a specific digital processing device.

In a generic notation, the overload point within the digital domain can be defined by the (normalized) amplitude value $x_{over} = 1.0$. The level specification for speech codecs is relative to this overload point in the digital domain. It should be noted that this overload point does not depend on the quantization method used and remains identical, regardless of whether the quantization is done e.g., with 32, 16, 13 or 8 bits. How this overload point relates to the analogue world depends on the conversion method between the analogue and digital domains and it is beyond the scope of this Recommendation.

The power of a sampled signal $x(n)$ with a length of N samples can be defined by:

$$P = \frac{1}{N} \sum_{n=0}^{N-1} x(n)^2$$

For a digital system which has an overload point x_{over} , the maximum signal power will be $P_0 = 1.0$. In this case, the power level for a digital signal in decibels relative to the overload point (dBov, where the characters "ov" arbitrarily mean digital overload signal level) is defined by:

$$L_{ov} = 10 \log_{10} \left(\frac{P}{P_0} \right) \text{ [dBov]}$$

The level of the maximum signal power P_0 is thus 0 dBov, which is chosen to be the reference level. A signal with such a power level could be:

- a) a sequence of maximum positive numbers ($+x_{over}$);
- b) a sequence of maximum negative numbers ($-x_{over}$); or
- c) a rectangular function exercising only the positive or negative maximum numbers ($\pm x_{over}$).

The level of a *tone* with a digital amplitude (peak value) of x_{over} is therefore $L = -3.01$ dBov.

8.8 Relationship between overload (dBov) and maximum levels (dBm0)

While levels in digital speech transmission networks are expressed usually in terms of the power (expressed e.g., in dBm0), the level specification for digital processing devices such as speech coders is specified in terms of dBov values. Hence, it is useful to relate these two level units. The conversion between both representations can be generically expressed as:

$$y(\text{dBm0}) = z(\text{dBov}) + C$$

There are three specific cases of interest: [ITU-T G.711] for A-law, [ITU-T G.711] for μ -law and [ITU-T G.722]. It should be noted that irrespective of the case, the level T_{max} of a maximum level tone would always be -3.01 dBov. For the ITU-T G.711 encoding rule, an encoded sequence is provided to define the 0 dBm0 level (see Table 5 of [ITU-T G.711] for A-law and Table 6 of [ITU-T G.711] for μ -law). The result is that a pure tone that exercises the maximum level has a power T_{max} of 3.14 dBm0 for A-law and of 3.17 dBm0 for μ -law. Therefore, C above becomes 6.15 dB for A-law and 6.18 dB for μ -law. For the ITU-T G.722 wideband coding algorithm, the overload point of the A/D and D/A converters is defined as +9 dBm0. Therefore, in that case, C becomes 12.01 dB.

The following relationships summarize the relationships described above:

$$\Lambda_A (\text{dBm0}) = L_{ov} (\text{dBov}) + 6.15 \text{ dB} \quad (\text{A-law})$$

$$\Lambda_{\mu} (\text{dBm0}) = L_{ov} (\text{dBov}) + 6.18 \text{ dB} \quad (\mu\text{-law})$$

$$\Lambda_{G.722} (\text{dBm0}) = L_{ov} (\text{dBov}) + 12.01 \text{ dB} \quad (\text{ITU-T G.722})$$

8.8.1 Impact of interworking between codecs having unequal codec overload points

If a signal of -20 dBm0 entering a codec with +3 and +9 dBm0 codecs respectively is considered, the following situations occur if no additional level alignment/correction is used:

Table 1 – Example of level issues that will occur if no proper level alignment/correction is used

Encode			Decode		
Input level	Overload point	Digital level	Overload point	Output level	Effective gain
-20 dBm0	+3 dBm0	-26 dBov	+3 dBm0	-20 dBm0	0 dB
-20 dBm0	+3 dBm0	-26 dBov	+9 dBm0	-14 dBm0	+6 dB

Table 1 – Example of level issues that will occur if no proper level alignment/correction is used

Encode			Decode		
-20 dBm0	+9 dBm0	-32 dBov	+3 dBm0	-26 dBm0	-6 dB
-20 dBm0	+9 dBm0	-32 dBov	+9 dBm0	-20 dBm0	0 dB

This shows that, if no proper level alignment/correction is introduced between the codecs, there is a 6 dB electrical level shift incurred when interworking between codecs having different overload points. As a practical matter, it seems that the only "odd man out" codec is ITU-T G.722, which has a defined overload point of +9 dBm0 (although it is not clear if this is always implemented as +9 dBm0). Although not stated explicitly in their specifications, all other codecs in the ITU-T G.71X and ITU-T G.72X series, including wideband, super-wideband and full-band seem to have been designed for an overload point of +3 dBm0.

8.8.2 Implications for end-to-end acoustic levels

When interworking between terminals using different codecs, transcoding is needed. If properly implemented, the transcoding will align the levels so that the level of a nominal signal in dBm0 is maintained from one terminal to the other. If such level alignment is not implemented, the electrical level shifts noted above will translate directly into acoustic level shifts when interworking between terminals using codecs with different overload points. This is independent of any perceptual acoustic level shift due to differences in audio bandwidth between codecs.

9 The concept of "relative levels"

9.1 General principles

As mentioned in clause 8, the concept of "relative level" is applied in many areas.

In transmission planning, relative levels are used to characterize "probable signal power levels" occurring in the circuits of the network.

In transmission maintenance, relative levels are used to describe loss or gain between points as well as defining levels of test signals.

For the specification and design of equipment, relative levels are used to describe the power handling capabilities when the equipment is employed in a transmission chain.

In testing of equipment and components, relative levels are used to characterize signal parameters.

In the ideal case, the power handling capabilities of components and equipment would be accurately matched to the actual signal powers they encounter when used in the network. In practice, this is not always achievable or even desirable. For instance, in equipment design, the relative level designations for testing components do not always correspond exactly to the specified relative levels for the equipment considered as a unit.

The relative level at a point is defined as the composite gain between a hypothetical transmission reference point (0 dBr point) and the point (or as the composite loss from the point to the transmission reference point) at the reference frequency of 1020 Hz. As a rule, the transmission reference point is not accessible, but is a purely hypothetical point used to define the concept of relative level. When specifying and measuring transmission systems, exchanges, PBXs, etc., the term "level reference point" is often used instead of transmission reference point.

In real life, the relative levels of different points in a circuit will be determined based on the fixed relative levels at the input and output of transmission systems or digital exchanges. The power

handling capacity of these systems is defined and the difficult task is to find the input relative level of the circuits that will ensure that the best possible loading of the transmission systems and exchanges are obtained.

The levels into the circuit will be determined by the SLR of the telephone sets used, the subscriber line and the loss in the circuits between the local exchange and the input of the circuit.

Traditionally, in transmission planning, each circuit has its own specific transmission reference point and the relative levels within a circuit are restricted only to that circuit and have no meaning outside that circuit. The loss between different points in a circuit may, as a rule, be found as the difference between the relative levels at the points. To find the loss between points in different circuits, it is necessary to know the transmission plan. (In networks where the circuits have no loss, e.g., digital networks, it is possible to have the same dBr level at the output of a circuit as the dBr level at the input of the interconnected circuit. In these special cases, the loss between different points in different circuits may be found directly as the difference in relative level. This means, however, that the transmission plan is known.)

The concept of relative levels is used for different applications, such as:

- a) transmission planning;
- b) setting up, lining up and maintenance of circuits;
- c) specifying and measuring equipment, e.g., transmission systems, digital exchanges and PBXs.

These different applications all use the same basic concept of dBr, as defined and described in this Recommendation. However, the different applications make use of the dBr in different ways, which in some cases may cause misunderstandings.

In transmission planning, the different points in the circuit are given dBr levels to give the optimum performance of the circuit when the input levels and the performance of the different equipment being part of the circuit is taken into consideration. In some cases (especially for digital exchanges), this means that a point may have a different dBr level when seen as part of the circuit, from what it has been assigned in specifications and test procedures. However, this should not cause problems if it is realized that this is merely because the different dBr levels are used for different applications.

However, the distinctions between the different applications of "relative levels" have not always been clearly stated, even in ITU-T Recommendations, which at times have caused confusion.

Often it is clear what a relative level value refers to. However, there is a risk of misunderstanding. It is a wise precaution to make a direct statement, such as:

- a) (test) relative level;
- b) (equipment) relative level;
- c) (circuit) relative level.

As an example of a misunderstanding, the relative levels given in a transmission plan have sometimes erroneously been taken to exactly correspond to test levels of equipment.

In the following clauses, examples are given of "good engineering practices" with regard to relative level applications. The rules should be considered as having a certain amount of flexibility. Most difficulties seem to have occurred in conjunction with digital transmission. Therefore, digital cases are given special attention.

9.2 Circuits and connections

The term "circuit" denotes the direct transmission path between two exchanges, including the associated terminating equipment in the exchanges. In transmission planning the circuit loss includes the exchange loss.

In analogue exchanges this means that "half" the exchange loss at each end of the circuit is included in the circuit loss. Therefore, the input of the circuit is in "the middle of" one exchange and the output of the circuit is "in the middle of" the other exchange. The input and output points of a circuit between analogue exchanges are not accessible points, but hypothetical points used for transmission planning.

In digital exchanges the input of the circuit will usually be a digital bit stream, e.g., at the exchange test points and the loss in the different terminating equipment, hybrids, etc., are considered to be part of the circuit.

Circuits are linked together in the exchanges, forming connections. A connection is a chain of circuits interconnected by switching points, between different points in the switched network. A complete connection is a connection between two equipment terminals connected to the switched network.

The loss of a connection is the sum of the losses of the circuits making up the connection. (Since the loss of the exchanges is included in the circuits, the switching points have no loss. There is no loss associated with the interconnecting point between two circuits; all loss is within the circuits.)

In some cases, mainly in private networks, the definition of "circuit" is not applicable. Exchanges within a private network are normally interconnected via leased lines, specified at the interfaces of the transmission systems.

9.3 The speech signal and the dynamic range of the voice channel

During normal, active speech periods, the variation in level between different speakers has a standard deviation of about 3 dB as recorded with a fixed distance from mouth to microphone. However, when speakers are using actual telephone handsets, held according to individual preferences, the standard deviation is increased by up to 5 dB.

The performance of FDM carrier equipment is governed by the total channel load. This means that the mean channel load capacity is of importance. According to [ITU-T G.223], this should be -15 dBm0, with speech pauses included and consideration taken of some extraneous signals. This translates into -11 dBm0 for the actual speech periods.

For PCM systems, the individual channel performance should be matched to the dynamic range of the speech signals. Therefore, it is of interest to study the instantaneous amplitude distribution of speech signals.

It is practical to relate the absolute amplitude V of speech signals to the rms value of the speech signal (V_{eff}) during active speech periods. Investigations have shown that the statistical distribution can be simulated by the function:

$$P(X) = \frac{K}{\Gamma(L)} (KX)^{L-1} e^{-KX} \quad (9-1)$$

where: $X = \frac{V}{V_{\text{eff}}}$

$$L = \text{constant}$$

$$K = \sqrt{L(L+1)}$$

$$\Gamma = \int_0^{\infty} t^{x-1} e^{-t} dt \quad (\text{the Gamma function})$$

The value for L is about 0.5 for handsets with modern linear microphones (for older carbon-type microphones L is about 0.2).

The equation as shown above is to be interpreted as follows:

The probability to find a value in the interval $X \pm dX/2$ is $P(X) dX$.

From the above equation the cumulative statistical distribution $F(X)$ can be computed. This is depicted in Figure 5 with $N = 20 \log (V/V_{eff})$ as abscissa and $L = 0.2, \dots, 0.6$. For comparison, a similar curve is drawn for the envelope of band-limited white noise signals.

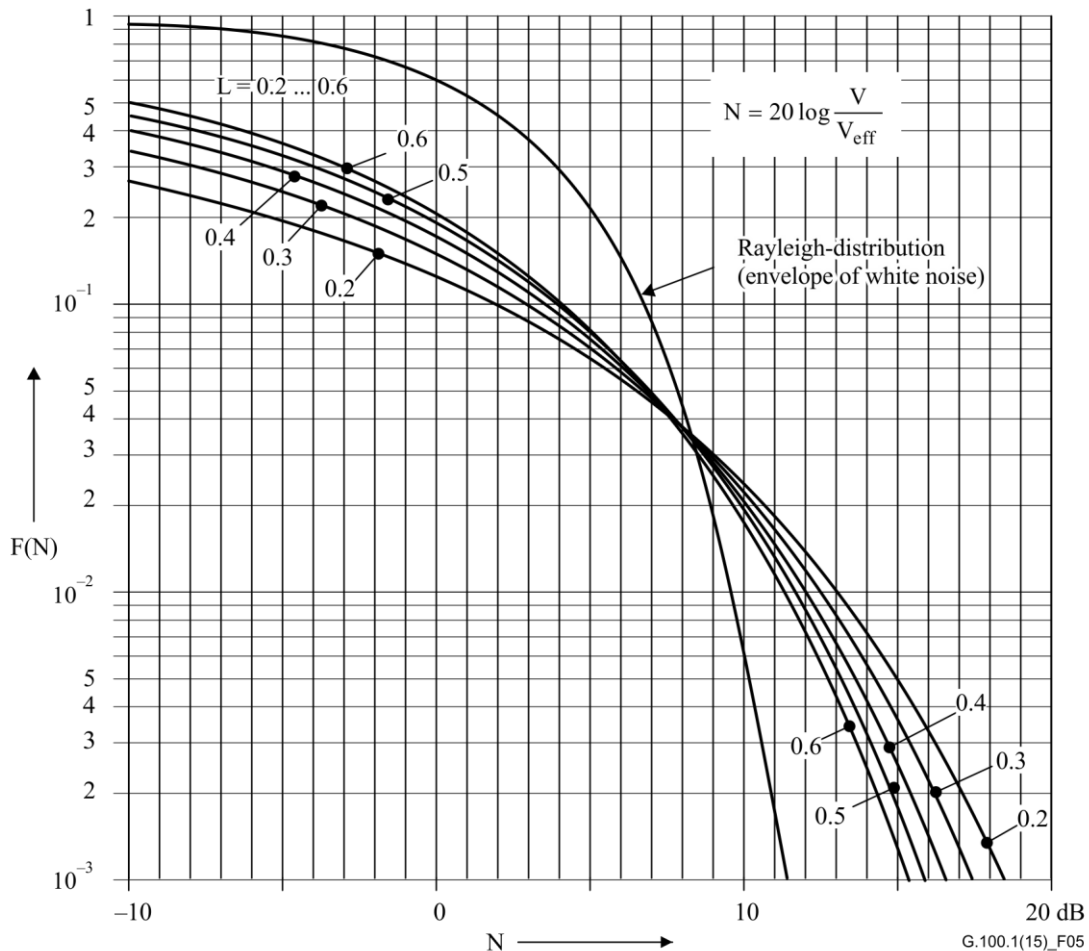


Figure 5 – Statistical distribution of speech signals

It is apparent from Figure 5 that speech signals are more "peaky" than white noise. However, for those peak values that are only exceeded 1 per cent of the time, the difference is only about 2 dB for the most common value $L = 0.5$. The 1 per cent probability value corresponds to $N = 12$ dB. Subjective tests indicate that this is an acceptable lower limit for speech clipping. Measured absolute peak values of speech lie at about 18 dB above the rms value, but those peaks occur very infrequently.

The dynamic range of 64 kbit/s PCM codecs can be described in many ways. One method is to look at the limits for the signal-to-total distortion ratio as depicted in Figure I.5 of [ITU-T G.712] which is reproduced here in Figure 6. This curve applies for white noise as an input signal (method 1).

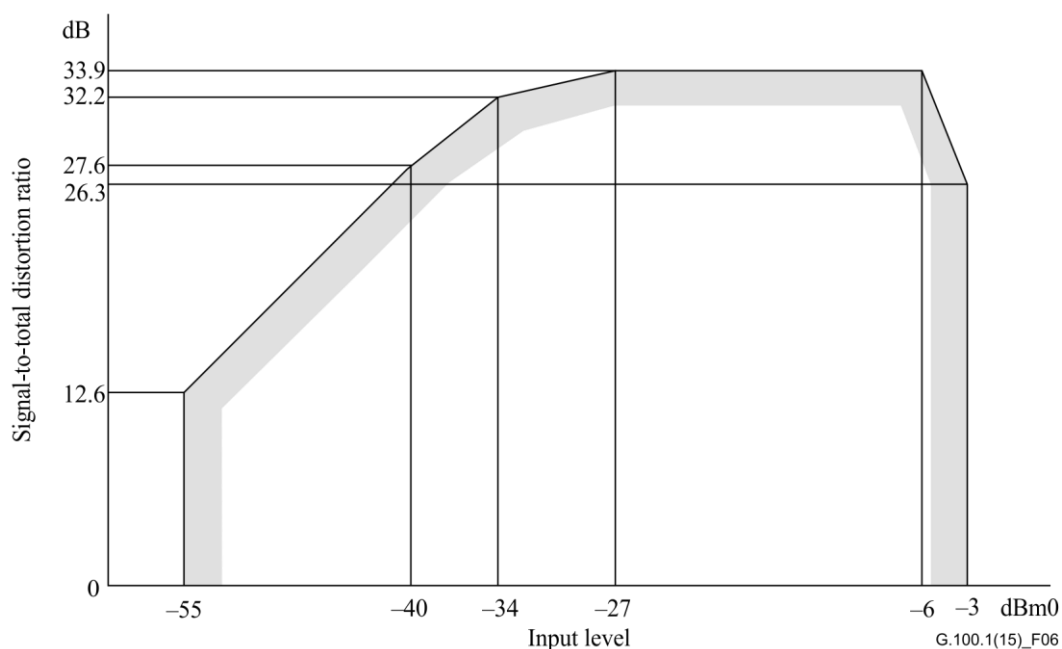


Figure 6 – Signal-to-total distortion ratio as a function of input level (method 1)

It can be seen from Figure 6 that the signal-to-total distortion ratio curve is flat from -27 dBm0 to -6 dBm0 white noise input signal. The upper limit corresponds to the level when peak clipping begins to take effect. However, the decrease in signal-to-total distortion ratio is quite moderate for -3 dBm0 input level.

The peak clipping level for sinusoidal signals is $+3$ dBm0, i.e., the absolute peak limit level is 6 dBm0. Thus, in the range when the peak clipping begins to take effect for white noise, the margin between the peak limit and the rms value of the noise lies between:

$$6 \text{ dB} + 3 \text{ dB} = 9 \text{ dB}$$

and

$$6 \text{ dB} + 6 \text{ dB} = 12 \text{ dB}$$

Using speech signals, these values should be increased by 2 dB, giving a desirable margin in the range of 11 dB to 14 dB. This corresponds well with the subjectively established value of 12 dB.

What actual speech levels can be expected in the network compared to the nominal speech level?

According to recent investigations, a "reference talker" (i.e., talking with -4.7 dBPa mean speech sound pressure at the MRP) during active speech at a 0 dBr point, produces a signal level of:

$$N = -11 - \text{SLR} [\text{dBm0}] \quad (9-2)$$

where SLR is referred to the 0 dBr point.

With equation (9-2) the margin C can be computed at the average speech level against "just noticeable" speech clipping, i.e., at 12 dB higher than the rms value. Also, using the standard deviation of 5 dB for speech levels, the percentage P_c of talkers who talk so loudly that they are subjected to clipping can be estimated. Thus:

For the nominal SLR = 7 dB:	$C = 12 \text{ dB},$	$P_c = 0.8 \text{ %};$
For the minimum SLR = 2 dB:	$C = 7 \text{ dB},$	$P_c = 8 \text{ %}.$

It appears that $\text{SLR} > 2$ gives a reasonable protection against objectionable speech clipping.

NOTE – Actual speech levels in networks are currently being studied in the ITU-T.

Thus, for normal connections, there are no problems in the matching between the dynamic ranges of the speech signal and the codecs. Moreover, it appears that reasonable margins exist in the 64 kbit/s PCM channel so that the nominal speech level can be increased by 2 or 3 dB or decreased by 6 dB from its normal value of -11 dBm0 without objectionable results. (This is confirmed by some early subjective tests performed with the help of the modulated noise reference unit (MNRU) method.)

Examples of such level shifts occur when digital loss or gain is used or when so-called level jumps have to be introduced between (ITU-T) circuits (see clauses 9.5 and 9.6). Formally, this can be handled by assigning relative levels differing from 0 dBr to the digital bit stream. This is discussed in clauses 9.4 to 9.6.

9.4 Relative level designations for a digital path

Most often, the digital path is assigned to the relative level 0 dBr. The absolute level of a signal in a 64 kbit/s PCM path then is determined by ideal encoders and decoders as shown in Figure 7.

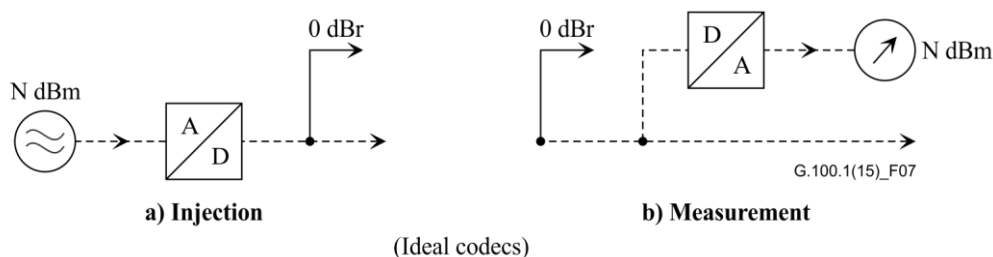
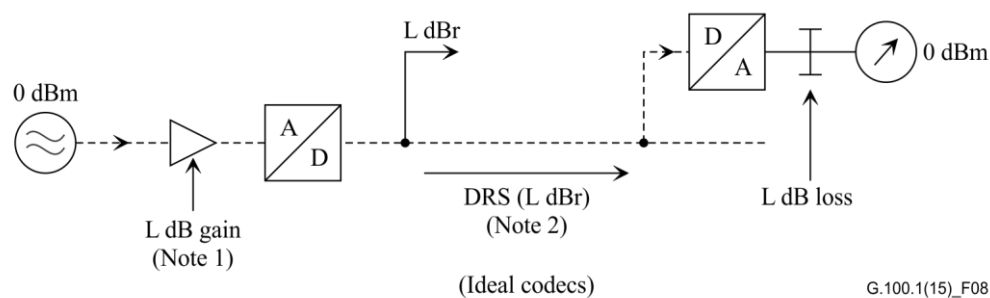


Figure 7 – Interpretation of absolute signal level in a digital path with relative level 0 dBr

The analogue 0 dBm0 reference signal, corresponding to $N = 0$ in Figure 7, has its counterpart in the standard digital reference sequence (DRS).

In some exceptional cases, it is practical to assign a relative level L dBr, differing from 0 dBr, to the digital path. The analogue 0 dBm0 reference signal then corresponds to a different DRS which shall be termed DRS (L dBr) for clarity. The injection and detection of this is depicted in Figure 8.



NOTE 1 – Negative values of L are chosen more often. In test specifications, positive values of L shall never be used.

NOTE 2 – To create a DRS (L dBr) as shown, $L < 3$ dBr. If $L > 0$ dBr, no sinusoidal signals higher than $(3-L)$ can be passed without clipping.

Figure 8 – Interpretation of a 0 dBm0 reference sequence DRS(L dBr) for a digital path with relative level L dBr

Figure 9 shows level measurement of an actual signal on a digital path with the relative level L .

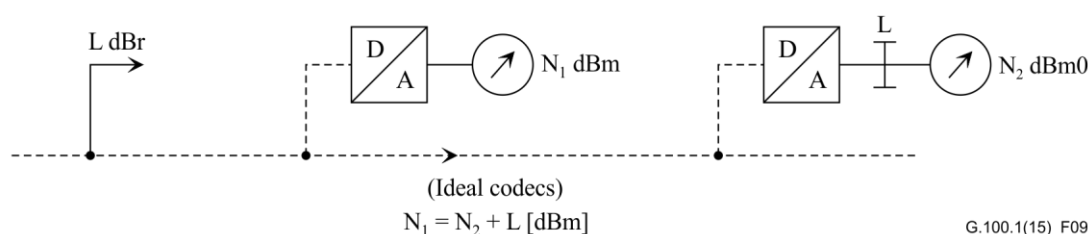


Figure 9 – Level measurements on a digital path with L dBr

9.5 Relative levels in equipment design, specification and testing

9.5.1 Analogue equipment

Large-capacity FDM (carrier) systems are designed to allow, in an up-modulated band, a long-term average of -15 dBm0 per channel, taking into account signalling, carrier leaks and speech pauses. This corresponds to -11 dBm0 actual speech during active periods. (FDM systems with fewer than 240 channels should be designed for a higher average power per channel. For instance, a 12-channel FDM system should be able to handle -7.5 dBm0 per channel.)

Voiceband analogue equipment is in general designed with regard to relative levels so that noise and clipping do not present any problems (this implies for instance that the clipping level is higher than 3 dBm0).

9.5.2 Codecs and digital pads

For 64 kbit/s encoders and decoders regarded as components of equipment, the digital path is taken to represent the 0 dBr level reference point (see Figure 10).

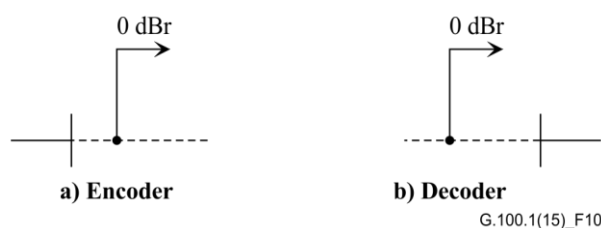


Figure 10 – 0 dBr level reference points for codecs

The performance specification of codecs, as described in [ITU-T G.712], is based on this convention and the parameters are specified with respect to 0 dBm0 values.

In general, when speech path impairments are considered, analogue pads, loss or gain, are preferred for level and loss adjustments. However, digital pads often allow more flexibility, especially as they can easily be controlled by software.

Experience has shown that digital pads are robust components that do not require such extensive testing as codecs do. Therefore, it has not been necessary to introduce dBm0 values in their specifications.

When codecs and digital pads are combined in equipment, any performance testing of the equipment should be done with the pads disabled, except during pure loss or gain measurements.

9.5.3 Relative level of a point in a digital link

The relative level to be associated with a point in a digital path carrying a digital bit stream generated by a coder lined-up in accordance with the principles mentioned above is determined by the value of the digital loss or gain between the output of the coder and the point considered. If there is no such loss or gain, the relative level at the point considered is, by convention, said to be 0 dBr.

For the application of digital loss or digital gain in telephone circuits, it is possible to discern the four basic cases pointed out in Figure 12. In the cases shown it is understood that the points denoted with 0 dBr (in bold print) are defined by the network transmission plan. All the other relative levels in the digital path before or behind the digital pad/amplifier are derived from the aforementioned assumption.

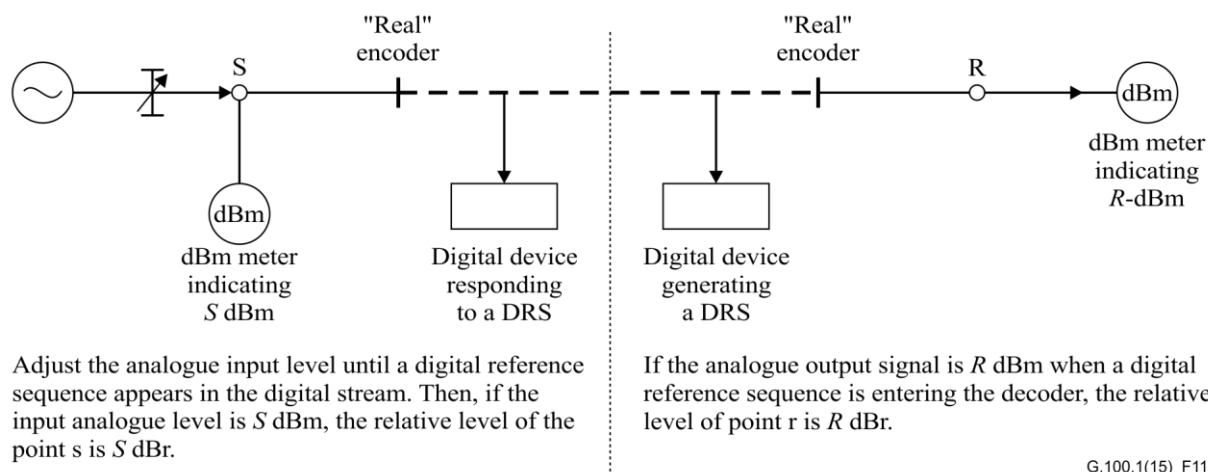


Figure 11 – Set-up for determination of the relative level at the input and output analogue points of a "real" codec using the digital reference sequence

Case 1	<p>Diagram for Case 1: A horizontal dashed line represents the signal level. In part A, the level is 0 dBr. In part B, the level is x dB. In part B, the level is -x dBr.</p>
Case 2	<p>Diagram for Case 2: A horizontal dashed line represents the signal level. In part A, the level is +x dBr. In part B, the level is x dB. In part B, the level is 0 dBr.</p>
Case 3	<p>Diagram for Case 3: A horizontal dashed line represents the signal level. In part A, the level is 0 dBr. In part B, the level is x dB. In part B, the level is +x dBr.</p>
Case 4	<p>Diagram for Case 4: A horizontal dashed line represents the signal level. In part A, the level is -x dBr. In part B, the level is x dB. In part B, the level is 0 dBr.</p>

NOTE – In general, cases 1 and 4 are to be preferred.

G.100.1(15)_F12

Figure 12 – Relative values in a digital path

Taking the theoretical assumption that a real signal in part A of the transmission path utilizes the complete dynamic range of the PCM process according to [ITU-T G.711], then in part B of the transmission path:

- the dynamic range will be reduced by x dB in case 1 as well as in case 2;
- clipping effects will appear for signals with levels down to x dB below the overload limit of part A in case 3 as well as in case 4.

When measuring transmission parameters (e.g., total distortion, variation of gain with input level), which usually are measured over a wide range of input levels, the input level applied to part A of the transmission path must be restricted in order to avoid improper levels at part B of the transmission path.

9.5.4 Digital exchanges

A digital exchange is built up of half-channels interconnected by a switching matrix.

The power handling properties, which are to be used as a basis for the transmission planning of networks, are described by the relative level designations of the exchange ports. (However, these values are not necessarily the same as used in performance testing or in the transmission plan.)

For all those cases when no digital pads are used, the digital path is considered to be at 0 dBr relative level. Figure 13 shows as an example the relative level designations for a 2-wire subscriber half-channel.

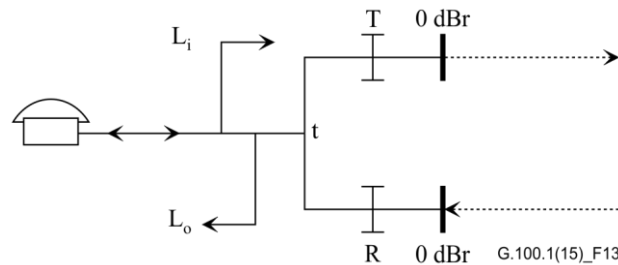


Figure 13 – Relative levels at a local exchange $L_i = T$ dBr, $L_o = -R$ dBr (it is assumed that T and R represent all those losses between t , the 2-wire point, and the digital bit streams)

When digital pads are used, they can either be incorporated in the switching matrix or in the half-channels.

In the first case, the relative level designations for the half-channels remain unchanged.

In the second case, in principle there are several possibilities to designate the 0 dBr reference point:

- a) those digital points which are directly connected to respectively the encoder or decoder;
- b) digital points near the pads, chosen in such a way that the digital relative levels never exceed 0 dBr;
- c) the digital points interfacing the switching matrix.

Of all the cases considered, method c) appears to be the most practical one when specifying data for use in transmission planning.

Figures 14 and 15 show examples of how digital loss and gain pads are introduced in the half-channel depicted in Figure 13.

The nominal losses through a half-channel can be found from the relative level designations as shown in Figures 13, 14 and 15.

The loss through the exchange is:

$$A = L_i - L_o + SL \quad (9-3)$$

where L_i , L_o are the input and output relative levels of the half-channels concerned and SL is the loss of the switching matrix.

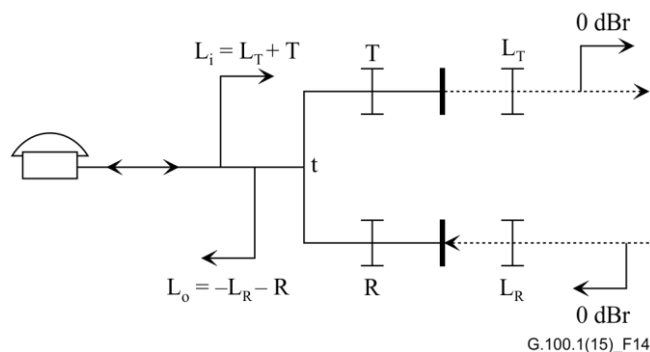


Figure 14 – Relative levels at a local exchange. Digital loss in the half-channel

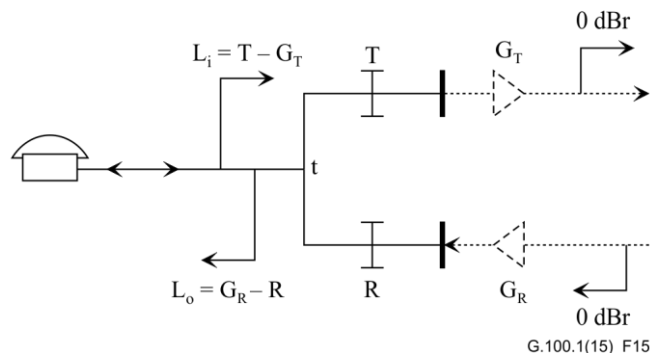


Figure 15 – Relative levels at a local exchange. Digital gain in the half-channel

9.6 Relative levels in transmission planning and maintenance

In transmission planning procedures the overall transmission path is divided into sections in ITU-T vocabulary termed "circuits", each having its own 0 dBr transmission reference point (TRP). Most often circuits connect switching centres. Sometimes the subscriber line connected to a local exchange is also termed "circuit". Thus, a circuit is constituted by all permanently interconnected equipment. In this way maintenance personnel have clearly defined segments with fixed transmission parameters to supervise.

The physical limits of a circuit are sometimes expressed as being situated at "the middle of the exchanges". In this case the exchange terminating equipment is included in the circuit ending in the exchange test point. This practice is common in the public networks and dates back to the times when most exchanges were analogue.

However, the transmission planner has other options to subdivide the connection into circuits, provided he clearly defines the interface. Thus, if the digital switching matrix is designed to introduce loss, the two half-channels 0 dBr points may be considered as ending of circuits with the switching matrix as a mini-circuit in between.

Exceptionally, the "transmission interface" between the two different maintenance organizations does not lie at an exchange. This may be the case when a public and a private network are interconnected. To divide the responsibilities clearly, the public and private links may be designated as belonging to two different circuits.

One main problem in transmission planning is to obtain a reasonable matching between expected signal levels and the power handling capabilities of the equipment used in each circuit. Sometimes also the relative levels at circuit interconnection points cannot be matched to each other so that "level jumps" have to be introduced.

The circuits are interconnected in the exchanges. In the analogue telephone network, where the circuits have to have loss to maintain the stability, this often means that the output of one circuit

having a level of A dBr is connected to the input of another circuit having a different level B dBr. This level difference is often called a "level jump". The "level jump" is the difference in level, i.e., $B - A$ dB. The switching points have no loss, the "level jump" only shows that one goes from one set of dBr's particular to one circuit, to another set of dBr's particular for the other circuit. The loss will always be present within the circuits themselves.

However, at a speech level of -11 dBm, at a 0 dBr point, pauses excluded, expected as an average for a large number of subscribers, field measurements of actual speech levels in TRPs show a very large spread. For this reason, some conventions based on general experience are resorted to instead.

For normal telephony terminals and subscriber lines, the interconnection to the local exchange can be taken as an "anchor point" to establish a 0 dBr point (see Figure 13). The speech levels are influenced by the telephony terminal sensitivities. Nevertheless, from Annex C of [ITU-T G.121] it can be seen that many Administrations found the optimum values to be $L_i = 0$ dBr, $L_o = -6$ dBr or -7 dBr.

Regarding how the equipment is incorporated in the network, in most cases it will be possible to obtain an exact correspondence between the "equipment" and the "circuit" relative levels. Exceptions sometimes have to be allowed, for instance when for stability reasons extra loss is included in a 4-wire loop. Another reason might be a lack of suitable level controls in certain equipment (some echo canceller designs may also need an extra margin against clipping).

An example of additional loss in an analogue 4-wire loop is shown in Figure 16 where an analogue circuit section is interposed between digital circuit sections. To ensure that the risk of instability and "hollowness" of a connection will be insignificant, the ITU-T recommends that a 0.5 dB loss is inserted in analogue or mixed digital/analogue circuits. Thus, in the transmission plan for this circuit, part of the digital bit stream will be associated with -0.5 dBr.

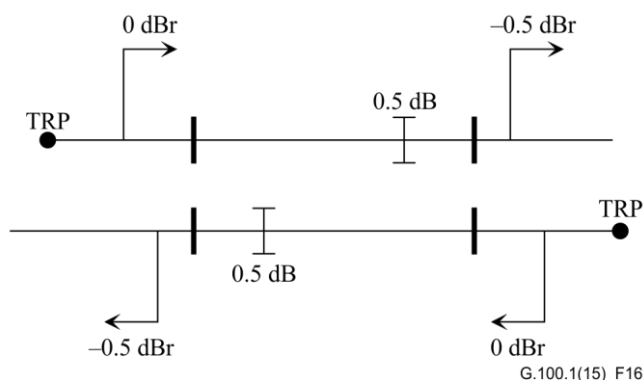


Figure 16 – Example of (circuit) relative levels when an analogue link is interposed in a digital chain

Two adjacent circuits each have their own TRPs to which their respective relative levels are referred. Ideally, at the interface between the circuits, the two relative levels should be the same.

Occasionally, the send relative level is set 0.5 dB lower than the receive level in order to guarantee stability, namely when analogue 4-wire transmission is used. For instance, two local exchanges are interconnected via a primary or transit centre with 4-wire analogue switching and transmission. The net loss in the transit path should be 0.5 dB for stability reasons. The relative levels at the local exchanges are determined by the properties of the telephony terminals as mentioned before. Therefore, the 0.5 dB net transmission loss corresponds to a "level-jump" of 0.5 dB at the transit exchange. A similar example of an international transit connection is given in Figure 17.

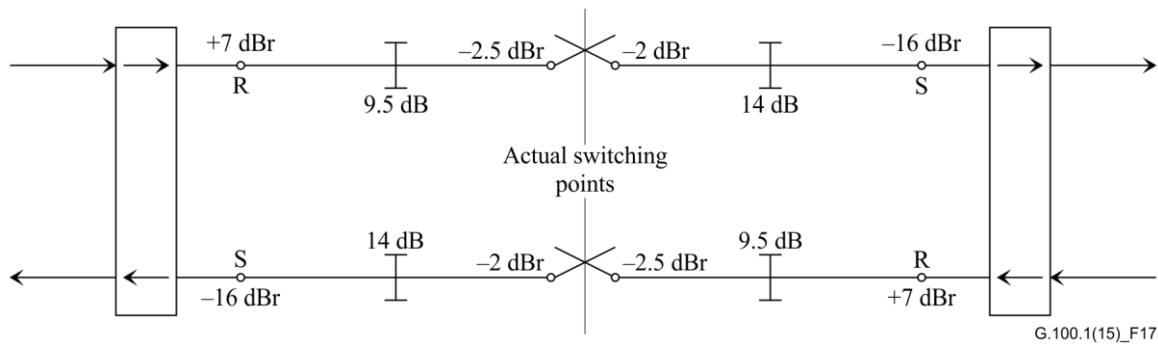


Figure 17 – Example showing a (simplified) representation of a transit connection in an international exchange

Occasionally, the transmission planner may find it convenient to assign a "level-jump" at an interface between a public and a private circuit, which is not associated with switching (such a level-jump minimizes the dynamic range and should be as small as possible).

Note that, in general, the total loss of a connection made up of several circuits should be determined by adding the losses of the individual circuits and not by taking differences in relative levels between the input and the output of the connection ports (the latter method is only valid when all the consistent circuits are digital and are not using digital signal processing).

With regard to digital parameters in a complete connection, the transmission planner should also consider the sum of qdus, the total amount of digital loss or gain introduced and the sum of all level-jumps.

Appendix I

The neper

(This appendix does not form an integral part of this Recommendation.)

I.1 Introduction

The usage of the neper in telecommunications is no longer recommended by the ITU-T. However, for reasons of traceability and for the sake of completeness this appendix provides the necessary information.

I.2 Definition of the neper

The "neper" (symbol Np) expresses the ratio of two field quantities such as voltage or current, the square of which is proportional to power by the natural logarithm of this ratio. The value of a power ratio in nepers is one half of the natural logarithm of the power ratio. The values in nepers of the ratio of two field quantities and of the corresponding powers are equal only if the impedances are equal.

One neper corresponds to the value of e of a field quantity ratio and to the value e^2 of a power quantity ratio.

Sub-multiples such as the decineper (dNp) are also used.

In some disciplines, nepers may be used to express the logarithm of a power ratio without the factor $\frac{1}{2}$. An example is optical depth or attenuation in radiometry. Such usage is deprecated in telecommunications in order to avoid ambiguity. Under this definition, the neper would in fact be equal to 4.34 dB, instead of 8.68 dB as is traditionally the case.

I.3 Use of the decibel and of the neper

As mentioned above, the ITU-T has discontinued to recommend the use of the neper in telecommunications.

However, for theoretical or scientific calculations, where ratios are expressed in terms of naperian logarithms, the neper will always be used, implicitly or explicitly.

As a result of some calculations on complex quantities, a real part in nepers and an imaginary part in radians are obtained. Factors may be applied for converting to decibels or degrees.

The conversion values between the neper and the decibel are as follows:

$$1 \text{ Np} = (20 \log e) \text{ dB} \approx 8.686 \text{ dB}$$

$$1 \text{ dB} = (0.05 \ln 10) \text{ Np} \approx 0.1151 \text{ Np}$$

Bibliography

- [b-ITU-T B.12] Recommendation ITU-T B.12 (1998), *Use of the decibel and the neper in telecommunications*.
- [b-ITU-T G.101] Recommendation ITU-T G.101 (2003), *The transmission plan*.
- [b-ITU-T P.10/G.100] Recommendation ITU-T P.10/G.100 (2006), *Vocabulary for performance and quality of service*.
- [b-ITU-T Q.551] Recommendation ITU-T Q.551 (2002), *Transmission characteristics of digital exchanges*.

SERIES OF ITU-T RECOMMENDATIONS

Series A	Organization of the work of ITU-T
Series D	General tariff principles
Series E	Overall network operation, telephone service, service operation and human factors
Series F	Non-telephone telecommunication services
Series G	Transmission systems and media, digital systems and networks
Series H	Audiovisual and multimedia systems
Series I	Integrated services digital network
Series J	Cable networks and transmission of television, sound programme and other multimedia signals
Series K	Protection against interference
Series L	Environment and ICTs, climate change, e-waste, energy efficiency; construction, installation and protection of cables and other elements of outside plant
Series M	Telecommunication management, including TMN and network maintenance
Series N	Maintenance: international sound programme and television transmission circuits
Series O	Specifications of measuring equipment
Series P	Terminals and subjective and objective assessment methods
Series Q	Switching and signalling
Series R	Telegraph transmission
Series S	Telegraph services terminal equipment
Series T	Terminals for telematic services
Series U	Telegraph switching
Series V	Data communication over the telephone network
Series X	Data networks, open system communications and security
Series Y	Global information infrastructure, Internet protocol aspects and next-generation networks
Series Z	Languages and general software aspects for telecommunication systems