



INTERNATIONAL TELECOMMUNICATION UNION

ITU-T

TELECOMMUNICATION
STANDARDIZATION SECTOR
OF ITU

G.709/Y.1331

(02/2001)

SERIES G: TRANSMISSION SYSTEMS AND MEDIA,
DIGITAL SYSTEMS AND NETWORKS

Digital terminal equipments – General

SERIES Y: GLOBAL INFORMATION INFRASTRUCTURE
AND INTERNET PROTOCOL ASPECTS

Internet protocol aspects – Transport

**Interfaces for the optical transport network
(OTN)**

ITU-T Recommendation G.709/Y.1331

(Formerly CCITT Recommendation)

ITU-T G-SERIES RECOMMENDATIONS

TRANSMISSION SYSTEMS AND MEDIA, DIGITAL SYSTEMS AND NETWORKS

| | |
|--|--------------------|
| INTERNATIONAL TELEPHONE CONNECTIONS AND CIRCUITS | G.100–G.199 |
| GENERAL CHARACTERISTICS COMMON TO ALL ANALOGUE CARRIER-TRANSMISSION SYSTEMS | G.200–G.299 |
| INDIVIDUAL CHARACTERISTICS OF INTERNATIONAL CARRIER TELEPHONE SYSTEMS ON METALLIC LINES | G.300–G.399 |
| GENERAL CHARACTERISTICS OF INTERNATIONAL CARRIER TELEPHONE SYSTEMS ON RADIO-RELAY OR SATELLITE LINKS AND INTERCONNECTION WITH METALLIC LINES | G.400–G.449 |
| COORDINATION OF RADIOTELEPHONY AND LINE TELEPHONY TESTING EQUIPMENTS | G.450–G.499 |
| TRANSMISSION MEDIA CHARACTERISTICS | G.500–G.599 |
| DIGITAL TERMINAL EQUIPMENTS | G.600–G.699 |
| General | G.700–G.709 |
| Coding of analogue signals by pulse code modulation | G.710–G.719 |
| Coding of analogue signals by methods other than PCM | G.720–G.729 |
| Principal characteristics of primary multiplex equipment | G.730–G.739 |
| Principal characteristics of second order multiplex equipment | G.740–G.749 |
| Principal characteristics of higher order multiplex equipment | G.750–G.759 |
| Principal characteristics of transcoder and digital multiplication equipment | G.760–G.769 |
| Operations, administration and maintenance features of transmission equipment | G.770–G.779 |
| Principal characteristics of multiplexing equipment for the synchronous digital hierarchy | G.780–G.789 |
| Other terminal equipment | G.790–G.799 |
| DIGITAL NETWORKS | G.800–G.899 |
| DIGITAL SECTIONS AND DIGITAL LINE SYSTEM | G.900–G.999 |

For further details, please refer to the list of ITU-T Recommendations.

Interfaces for the optical transport network (OTN)

Summary

This Recommendation defines the requirements for the optical transport module of order n (OTM-n) signals of the optical transport network, in terms of:

- optical transport hierarchy (OTH);
- functionality of the overhead in support of multi-wavelength optical networks;
- frame structures;
- bit rates;
- formats for mapping client signals.

Source

ITU-T Recommendation G.709/Y.1331 was prepared by ITU-T Study Group 15 (2001-2004) and approved under the WTSA Resolution 1 procedure on 9 February 2001.

This Recommendation forms part of a suite of Recommendations covering the full functionality of an optical transport network. This Recommendation follows the principles defined in ITU-T G.805.

| Document history | |
|-------------------------|--------------------------------|
| Issue | Notes |
| 1.0 | Initial version, February 2001 |

Keywords

Network node interface, optical transport hierarchy, optical transport module, optical transport network, user-to-network interface.

FOREWORD

The International Telecommunication Union (ITU) is the United Nations specialized agency in the field of telecommunications. The ITU Telecommunication Standardization Sector (ITU-T) is a permanent organ of ITU. ITU-T is responsible for studying technical, operating and tariff questions and issuing Recommendations on them with a view to standardizing telecommunications on a worldwide basis.

The World Telecommunication Standardization Assembly (WTSA), which meets every four years, establishes the topics for study by the ITU-T study groups which, in turn, produce Recommendations on these topics.

The approval of ITU-T Recommendations is covered by the procedure laid down in WTSA Resolution 1.

In some areas of information technology which fall within ITU-T's purview, the necessary standards are prepared on a collaborative basis with ISO and IEC.

NOTE

In this Recommendation, the expression "Administration" is used for conciseness to indicate both a telecommunication administration and a recognized operating agency.

INTELLECTUAL PROPERTY RIGHTS

ITU draws attention to the possibility that the practice or implementation of this Recommendation may involve the use of a claimed Intellectual Property Right. ITU takes no position concerning the evidence, validity or applicability of claimed Intellectual Property Rights, whether asserted by ITU members or others outside of the Recommendation development process.

As of the date of approval of this Recommendation, ITU had received notice of intellectual property, protected by patents, which may be required to implement this Recommendation. However, implementors are cautioned that this may not represent the latest information and are therefore strongly urged to consult the TSB patent database.

© ITU 2001

All rights reserved. No part of this publication may be reproduced or utilized in any form or by any means, electronic or mechanical, including photocopying and microfilm, without permission in writing from ITU.

CONTENTS

| | Page |
|-------|--|
| 1 | Scope..... 1 |
| 2 | References..... 1 |
| 3 | Terms and definitions 2 |
| 4 | Abbreviations..... 5 |
| 5 | Conventions 8 |
| 6 | Optical transport network interface structure 8 |
| 6.1 | Basic signal structure 8 |
| 6.1.1 | OCh substructure 9 |
| 6.1.2 | Full functionality OTM-n.m ($n \geq 1$) structure 9 |
| 6.1.3 | Reduced functionality OTM-nr.m and OTM-0.m structure 10 |
| 6.2 | Information structure for the OTN interfaces 10 |
| 7 | Multiplexing/mapping principles and bit rates 14 |
| 7.1 | Mapping 15 |
| 7.2 | Wavelength division multiplex 15 |
| 7.3 | Bit rates and capacity 15 |
| 8 | Optical transport module (OTM-n.m, OTM-nr.m, OTM-0.m) 16 |
| 8.1 | OTM with reduced functionality (OTM-0.m, OTM-nr.m)..... 16 |
| 8.1.1 | OTM-0.m 17 |
| 8.1.2 | OTM-16r.m..... 17 |
| 8.2 | OTM with full functionality (OTM-n.m) 19 |
| 9 | Physical specification of the ONNI 22 |
| 9.1 | OTM-0.m 22 |
| 9.2 | OTM-16r.m..... 22 |
| 9.3 | OTM-n.m 22 |
| 10 | Optical channel (OCh) 22 |
| 10.1 | OCh with full functionality (OCh)..... 22 |
| 10.2 | OCh with reduced functionality (OChr) 22 |
| 11 | Optical channel transport unit (OTU)..... 23 |
| 11.1 | OTUk frame structure 23 |
| 11.2 | Scrambling 24 |
| 12 | Optical channel data unit (ODUk) 25 |
| 12.1 | ODUk frame structure 25 |
| 13 | Optical channel payload unit (OPUk)..... 25 |

| | Page |
|--------|---|
| 14 | OTM overhead signal (OOS)..... 26 |
| 15 | Overhead description 26 |
| 15.1 | Types of overhead..... 29 |
| 15.1.1 | Optical channel payload unit overhead (OPUk OH)..... 29 |
| 15.1.2 | Optical channel data unit overhead (ODUk OH) 29 |
| 15.1.3 | Optical channel transport unit overhead (OTUk OH) 29 |
| 15.1.4 | Optical channel non-associated overhead (OCh OH)..... 29 |
| 15.1.5 | Optical multiplex section overhead (OMS OH)..... 29 |
| 15.1.6 | Optical transmission section overhead (OTS OH) 29 |
| 15.1.7 | General management communications overhead (COMMS OH)..... 29 |
| 15.2 | Trail trace identifier and access point identifier definition..... 30 |
| 15.3 | OTS OH description 31 |
| 15.3.1 | OTS trail trace identifier (TTI)..... 31 |
| 15.3.2 | OTS backward defect indication – Payload (BDI-P) 32 |
| 15.3.3 | OTS backward defect indication – Overhead (BDI-O) 32 |
| 15.3.4 | OTS payload missing indication (PMI)..... 32 |
| 15.4 | OMS OH description 32 |
| 15.4.1 | OMS forward defect indication – Payload (FDI-P)..... 32 |
| 15.4.2 | OMS forward defect indication – Overhead (FDI-O) 32 |
| 15.4.3 | OMS backward defect indication – Payload (BDI-P) 32 |
| 15.4.4 | OMS backward defect indication – Overhead (BDI-O)..... 32 |
| 15.4.5 | OMS payload missing indication (PMI)..... 32 |
| 15.5 | OCh OH description 32 |
| 15.5.1 | OCh forward defect indication – Payload (FDI-P)..... 33 |
| 15.5.2 | OCh forward defect indication – Overhead (FDI-O) 33 |
| 15.5.3 | OCh open connection indication (OCI)..... 33 |
| 15.6 | OTUk/ODUk frame alignment OH description..... 33 |
| 15.6.1 | OTUk/ODUk frame alignment overhead location 33 |
| 15.6.2 | OTUk/ODUk frame alignment overhead definition..... 33 |
| 15.7 | OTUk OH description..... 34 |
| 15.7.1 | OTUk overhead location 34 |
| 15.7.2 | OTUk overhead definition..... 35 |
| 15.7.3 | OTUkV overhead 37 |
| 15.8 | ODUk OH description 37 |
| 15.8.1 | ODUk OH location 37 |
| 15.8.2 | ODUk OH definition 38 |

| | Page | |
|------|---|----|
| 15.9 | OPUk OH description..... | 50 |
| | 15.9.1 OPUk OH location..... | 50 |
| | 15.9.2 OPUk OH definition..... | 50 |
| 16 | Maintenance signals..... | 52 |
| 16.1 | OTS maintenance signals..... | 52 |
| | 16.1.1 OTS payload missing indication (OTS-PMI)..... | 52 |
| 16.2 | OMS maintenance signals | 52 |
| | 16.2.1 OMS forward defect indication – Payload (OMS-FDI-P)..... | 52 |
| | 16.2.2 OMS forward defect indication – Overhead (OMS-FDI-O) | 52 |
| | 16.2.3 OMS payload missing indication (OMS-PMI)..... | 52 |
| 16.3 | OCh maintenance signals..... | 52 |
| | 16.3.1 OCh forward defect indication – Payload (OCh-FDI-P)..... | 53 |
| | 16.3.2 OCh forward defect indication – Overhead (OCh-FDI-O) | 53 |
| | 16.3.3 OCh open connection indication (OCh-OCI)..... | 53 |
| 16.4 | OTUk maintenance signals..... | 53 |
| | 16.4.1 OTUk alarm indication signal (OTUk-AIS)..... | 53 |
| 16.5 | ODUk maintenance signals | 53 |
| | 16.5.1 ODUk alarm indication signal (ODUk-AIS)..... | 53 |
| | 16.5.2 ODUk open connection indication (ODUk-OCI)..... | 54 |
| | 16.5.3 ODUk locked (ODUk-LCK)..... | 54 |
| 16.6 | Client maintenance signal..... | 55 |
| | 16.6.1 Generic AIS for constant bit rate signals..... | 55 |
| 17 | Mapping of client signals..... | 55 |
| 17.1 | Mapping of CBR2G5, CBR10G and CBR40G signals (e.g. STM-16/64/256) into OPUk | 55 |
| | 17.1.1 Mapping a CBR2G5 signal (e.g. STM-16) into OPU1 | 58 |
| | 17.1.2 Mapping a CBR10G signal (e.g. STM-64) into OPU2 | 58 |
| | 17.1.3 Mapping a CBR40G signal (e.g. STM-256) into OPU3 | 58 |
| 17.2 | Mapping of ATM cell stream into OPUk..... | 59 |
| 17.3 | Mapping of GFP frames into OPUk | 60 |
| 17.4 | Mapping of test signal into OPUk | 61 |
| | 17.4.1 Mapping of a NULL client into OPUk..... | 61 |
| | 17.4.2 Mapping of PRBS test signal into OPUk | 61 |
| 17.5 | Mapping of a non-specific client bit stream into OPUk | 62 |
| | 17.5.1 Mapping bit stream with octet timing into OPUk | 63 |
| | 17.5.2 Mapping bit stream without octet timing into OPUk | 63 |
| 17.6 | Mapping of other constant bit-rate signals with justification into OPUk..... | 63 |

| | Page |
|---|-------------|
| Annex A – Forward error correction using 16-byte interleaved RS(255,239) codecs | 63 |
| Appendix I – Range of stuff ratios for asynchronous mappings of CBR2G5, CBR10G, and CBR40G clients with ± 20 ppm bit-rate tolerance into OPUs | 65 |
| Appendix II – Examples of functionally standardized OTU frame structures..... | 67 |

Interfaces for the optical transport network (OTN)

1 Scope

The optical transport hierarchy (OTH) supports the operation and management aspects of optical networks of various architectures, e.g., point-to-point, ring and mesh architectures.

This Recommendation defines the interfaces of the optical transport network to be used within and between subnetworks of the optical network, in terms of:

- optical transport hierarchy (OTH);
- functionality of the overhead in support of multi-wavelength optical networks;
- frame structures;
- bit rates;
- formats for mapping client signals.

The interfaces defined in this Recommendation can be applied at user-to-network interfaces (UNI) and network node interfaces (NNI) of the optical transport network. It is recognized for interfaces used within optical subnetworks, aspects of the interface are optical technology dependent and subject to change as technology progresses. Therefore, optical technology dependent aspects (for transverse compatibility) are not defined for these interfaces to allow for technology changes. The overhead functionality necessary for operations and management of optical subnetworks is defined.

2 References

The following ITU-T Recommendations and other references contain provisions which, through reference in this text, constitute provisions of this Recommendation. At the time of publication, the editions indicated were valid. All Recommendations and other references are subject to revision; users of this Recommendation are therefore encouraged to investigate the possibility of applying the most recent edition of the Recommendations and other references listed below. A list of the currently valid ITU-T Recommendations is regularly published.

- ITU-T G.652 (2000), *Characteristics of a single-mode optical fibre cable*.
- ITU-T G.653 (2000), *Characteristics of a dispersion-shifted single-mode optical fibre cable*.
- ITU-T G.655 (2000), *Characteristics of a non-zero dispersion shifted single-mode optical fibre cable*.
- ITU-T G.707/Y.1322 (2000), *Network node interface for the synchronous digital hierarchy (SDH)*.
- ITU-T G.805 (2000), *Generic functional architecture of transport networks*.
- ITU-T G.872 (1999), *Architecture of optical transport networks*.
- ITU-T G.959.1 (2001), *Optical transport network physical layer interfaces*.
- ITU-T I.432.1 (1999), *B-ISDN user-network interface – Physical layer specification: General characteristics*.
- ITU-T M.1400 (2000), *Designations for inter-operator networks*.

- ITU-T M.3100 (1995)/Amd.3 (2001), *Generic network information model – Amendment 3: Definition of the management interface for a generic alarm reporting control (ARC) feature.*
- ITU-T O.150 (1996), *General requirements for instrumentation for performance measurements on digital transmission equipment.*

3 Terms and definitions

This Recommendation uses terms defined in ITU-T G.707/Y.1322:

3.1 BIP-X

3.2 Network node interface

This Recommendation uses terms defined in ITU-T G.805:

3.3 Adapted information (AI)

3.4 Characteristic information (CI)

3.5 Network

3.6 Subnetwork

This Recommendation uses terms defined in ITU-T G.872:

3.7 Intra-domain interface (IaDI)

3.8 Inter-domain interface (IrDI)

3.9 Optical transport network (OTN)

3.10 Optical multiplex section (OMS)

3.11 Optical transmission section (OTS)

This Recommendation defines the following terms:

3.12 optical transport module (OTM-n[r].m): The OTM is the information structure that is transported across an ONNI. The index n and m define the number of supported wavelengths and bit rates at the interface as defined below. Two OTM structures are defined:

3.12.1 OTM with full functionality (OTM-n.m): The OTM-n.m consists of up to n multiplexed optical channels and an OTM overhead signal to support the non-associated overhead.

It is the information structure used to support optical transmission section (OTS) layer connections in the OTN. The characteristic information of the optical transmission section layer (OTS_CI) consists of information payload (OTS_CI_PLD) and optical transmission section overhead information fields (OTS_CI_OH). The optical transmission section overhead (OTS_OH) information fields are contained within the OTM overhead signal (OOS) information structure. The order of an OTM-n is defined by the order of the OMU-n that it supports.

3.12.2 OTM with reduced functionality (OTM-0.m, OTM-nr.m): The OTM-0 consists of a single optical channel without a specific colour assigned. The OTM-nr.m consists of up to n multiplexed optical channels. Non-associated overhead is not supported.

The OTM-nr.m/OTM-0 is the information structure used to support optical physical section (OPS) layer connections in the OTN. The characteristic information of the optical physical section layer (OPS_CI) consists of information payload (OPS_CI_PLD). Non-associated overhead is not supported. The order of an OTM-nr is defined by the order of the OCG-nr that it supports.

Note that for the first version of this Recommendation, the standardized IrDI interfaces are all reduced functionality interfaces. OTM-0 and OTM-16r are defined.

3.13 n: The index "n" is used to represent the order of the OTM, OTS, OMS, OPS, OCG, OMU. n represents the maximum number of wavelengths that can be supported at the lowest bit rate supported on the wavelength. It is possible that a reduced number of higher bit rate wavelengths are supported. n = 0 represents the case of a single channel without a specific colour assigned to the channel.

3.14 r: The index "r", if present, is used to indicate a reduced functionality OTM, OCG, OCC and OCh (non-associated overhead is not supported). Note that for n = 0 the index r is not required as it implies always reduced functionality.

3.15 m: The index "m" is used to represent the bit rate or set of bit rates supported on the interface. This is one or more digits "k", where each "k" represents a particular bit rate. The valid values for m are (1, 2, 3, 12, 123, 23).

3.16 k: The index "k" is used to represent a supported bit rate and the different versions of OPUk, ODUk and OTUk. k = 1 represents an approximate bit rate of 2.5 Gbit/s, k = 2 represents an approximate bit rate of 10 Gbit/s, and k = 3 represents an approximate bit rate of 40 Gbit/s.

3.17 optical channel (OCh[r]): The OCh is the information structure used to support the OCh trail. Two OCh structures are defined.

The OCh client signals defined in this Recommendation are the OTUk signals. Other digital client signals (e.g. STM-n, GbE) may be supported by the OTM.

NOTE – Further characterization of the OCh may be required to differentiate one OCh signal (e.g. one carrying an OTU1) from another OCh signal (e.g. one carrying an OTU2 or GbE). This is for further study.

3.17.1 optical channel with full functionality (OCh): The OCh is an information structure consisting of the information payload (OCh_PLD) with a certain bandwidth and non-associated overhead (OCh_OH) for management of the optical channel.

3.17.2 optical channel with reduced functionality (OChr): The OChr is an information structure consisting of the information payload (OCh_PLD) with a certain bandwidth. Non-associated overhead is not supported.

3.18 optical channel transport unit (OTUk[V]): The OTUk is the information structure used for transport of an ODUk over one or more optical channel connections. It consists of the optical channel data unit and OTUk related overhead (FEC and overhead for management of an optical channel connection). It is characterized by its frame structure, bit rate, and bandwidth. OTUk capacities for k = 1, k = 2, k = 3 are defined.

Two versions of the OTUk are defined:

3.18.1 completely standardized OTUk (OTUk): The completely standardized OTUk is used on OTM IrDIs and may be used on OTM IaDIs.

3.18.2 functionally standardized OTUk (OTUkV): The partly standardized OTUk is used on OTM IaDIs.

3.19 optical channel data unit (ODUk): The ODUk is an information structure consisting of the information payload (OPUk) and ODUk related overhead. ODUk capacities for k = 1, k = 2, k = 3 are defined.

3.19.1 ODUk path (ODUkP): The optical channel data unit k path (ODUkP) is the information structure used to support the end-to-end ODUk trail.

3.19.2 ODUk TCM (ODUkT): The optical channel data unit k TCM (ODUkT) is the information structure used to support the TCM trails. Up to 6 TCM sub-layers are supported.

3.20 optical channel payload unit (OPUk): The OPUk is the information structure used to adapt client information for transport over an optical channel. It comprises client information together with any overhead needed to perform rate adaptation between the client signal rate and the OPUk payload

rate and other OPU_k overhead supporting the client signal transport. This overhead is adaptation specific. OPU_k capacities for $k = 1$, $k = 2$, $k = 3$ are defined.

3.21 optical channel carrier (OCC[r]): The optical channel carrier represents a tributary slot within the OTM- n . Two OCC structures are defined:

NOTE – Further characterization of the OCC may be required to differentiate one OCC tributary slot (e.g. one able to carry an OTU1) from another OCC tributary slot (e.g. one able to carry an OTU3). This is for further study.

3.21.1 OCC with full functionality (OCC): The OCC consists of the OCC Payload (OCC_p) and OCC Overhead (OCC_o). The OCC_p carries the OCh_CI_PLD and is assigned to a wavelength/frequency slot of the WDM group. The OCC_o carries the OCh_CI_OH and is transported within the OOS information structure.

3.21.2 OCC with reduced functionality (OCC_r): The OCC consists of the OCC Payload (OCC_p). The OCC_p carries the OCh_CI_PLD and is assigned to a wavelength/frequency slot of the WDM group. Non-associated overhead is not supported.

3.22 optical carrier group of order n (OCG-n[r]): n optical channel carriers occupying fixed, defined positions in an OTM payload are termed an optical carrier group (OCG[r]). Two OCG structures are defined:

3.22.1 OCG with full functionality (OCG-n): The OCG- n consists of up to n OCC payload (OCC_p) and OCC Overhead (OCC_o).

3.22.2 OCG with reduced functionality (OCG-n_r): The OCG-n_r consists of up to n OCC payload (OCC_p). Non-associated overhead is not supported.

3.23 optical multiplex unit (OMU- n , $n \geq 1$): The OMU- n is the information structure used to support optical multiplex section (OMS) layer connections in the OTN. The characteristic information of the optical multiplex section layer (OMS_CI) consists of information payload (OMS_CI_PLD) and optical multiplex section overhead information fields (OMS_CI_OH). The OMS_CI_PLD consists of the OCG- n payload. The OMS_CI_OH consists of the OCG- n overhead and OMS specific overhead and is transported within the OOS information structure. The order of the OMU is defined by the order of the OCG that it supports.

3.24 optical physical section of order n (OPS_n): A layer network that provides functionality for transmission of a multi-wavelength optical signal on optical media of various types (e.g. G.652, G.653 and G.655 fibre). Note that a "multi-wavelength" signal includes the case of just one optical channel.

It combines the transport functionality of the OMS and OTS layer networks without their supervisory information. OPS _{n} capacities for $n = 0$ and $n = 16$ are defined.

3.25 optical transport network node interface (ONNI): The interface at an optical transport network node which is used to interconnect with another optical transport network node.

3.26 OTM overhead signal (OOS): The OOS is the information structure used for transport of OTM non-associated overhead over the optical supervisory channel. The non-associated overhead consists of the optical transmission section overhead, optical multiplex section overhead and optical channel non-associated overhead. It is characterized by its frame structure, bit rate and bandwidth.

3.27 optical supervisory channel (OSC): The physical carrier outside of the amplifier band that provides transport of the OTM overhead signal.

3.28 optical transport hierarchy (OTH): The OTH is a hierarchical set of digital transport structures, standardized for the transport of suitably adapted payloads over optical transmission networks.

3.29 OTH multiplexing: A procedure by which optical channels are multiplexed.

3.30 non-associated overhead (naOH): Supervisory information transported in an OOS.

3.31 hitless activation/deactivation of a connection monitor: applies to TC-CMEPs. It means that a CM between two TC-CMEPs can be established/released without impacting payload data, or any unrelated OH information. Therefore, unrelated management functions are also not impacted. More specifically, previously established CMs will not reflect transient error conditions or statistics as a direct result of the activation/deactivation of the new/old CM.

3.32 CBR2G5: A constant bit rate signal of 2 488 320 kbit/s \pm 20 ppm. An example of such signal is a STM-16 signal.

3.33 CBR10G: A constant bit rate signal of 9 953 280 kbit/s \pm 20 ppm. An example of such signal is a STM-64 signal.

3.34 CBR40G: A constant bit rate signal of 39 813 120 kbit/s \pm 20 ppm. An example of such signal is a STM-256 signal.

3.35 connection monitoring end point (CMEP): Connection monitoring end-points represent end points of trails and correspond as such with the trail termination functions. Connection monitoring overhead (CMOH) is inserted and extracted at the CMEPs.

For the OCh the CMEPs are categorized in three classes:

- OCh optical section CMEP (OS_CMEP), which represents the end-points of the OTUk trail. The SM overhead field (see Figures 15-9 and 15-10) contains the related CMOH.
- OCh tandem connection CMEP (TC_CMEP), which represents the end-points of ODUkT trails. The TCM1..6 overhead fields (see Figures 15-12 and 15-13) contain the related CMOH.
- OCh path CMEP (P_CMEP), which represents the end-points of the ODUkP trail. The PM overhead field (see Figures 15-12 and 15-14) contains the related CMOH.

4 Abbreviations

This Recommendation uses the following abbreviations:

| | |
|-------|---|
| 0xYY | YY is a value in hexadecimal presentation |
| 3R | Reamplification, Reshaping and Retiming |
| ACT | Activation (in the TCM ACT byte) |
| AI | Adapted Information |
| AIS | Alarm Indication Signal |
| APS | Automatic Protection Switching |
| BDI | Backward Defect Indication |
| BDI-O | Backward Defect Indication Overhead |
| BDI-P | Backward Defect Indication Payload |
| BEI | Backward Error Indication |
| BI | Backward Indication |
| BIP | Bit Interleaved Parity |
| CBR | Constant Bit Rate |
| CI | Characteristic Information |
| CM | Connection Monitoring |

| | |
|--------|--|
| CMEP | Connection Monitoring End Point |
| CMOH | Connection Monitoring Overhead |
| DAPI | Destination Access Point Identifier |
| EDC | Error Detection Code |
| EXP | Experimental |
| ExTI | Expected Trace Identifier |
| FAS | Frame Alignment Signal |
| FDI | Forward Defect Indication |
| FDI-O | Forward Defect Indication Overhead |
| FDI-P | Forward Defect Indication Payload |
| FEC | Forward Error Correction |
| GCC | General Communication Channel |
| IaDI | Intra-Domain Interface |
| IAE | Incoming Alignment Error |
| IrDI | Inter-Domain Interface |
| LSB | Least Significant Bit |
| MFAS | MultiFrame Alignment Signal |
| MS | Maintenance Signal |
| MSB | Most Significant Bit |
| naOH | non-associated overhead |
| NNI | Network Node Interface |
| OCC | Optical Channel Carrier |
| OCCo | Optical Channel Carrier – overhead |
| OCCp | Optical Channel Carrier – payload |
| OCCr | Optical Channel Carrier with reduced functionality |
| OCG | Optical Carrier Group |
| OCGr | Optical Carrier Group with reduced functionality |
| OCh | Optical channel with full functionality |
| OChr | Optical channel with reduced functionality |
| OCI | Open Connection Indication |
| ODU | Optical Channel Data Unit |
| ODUk | Optical Channel Data Unit-k |
| OH | Overhead |
| OMS | Optical Multiplex Section |
| OMS-OH | Optical Multiplex Section Overhead |
| OMU | Optical Multiplex Unit |
| ONNI | Optical Network Node Interface |

| | |
|--------|--|
| OOS | OTM Overhead Signal |
| OPS | Optical Physical Section |
| OPU | Optical Channel Payload Unit |
| OPUk | Optical Channel Payload Unit-k |
| OSC | Optical Supervisory Channel |
| OTH | Optical Transport Hierarchy |
| OTM | Optical Transport Module |
| OTN | Optical Transport Network |
| OTS | Optical Transmission Section |
| OTS-OH | Optical Transmission Section Overhead |
| OTU | Optical Channel Transport Unit |
| OTUk | completely standardized Optical Channel Transport Unit-k |
| OTUkV | functionally standardized Optical Channel Transport Unit-k |
| PCC | Protection Communication Channel |
| PLD | Payload |
| PM | Path Monitoring |
| PMI | Payload Missing Indication |
| PMOH | Path Monitoring OverHead |
| ppm | parts per million |
| PRBS | Pseudo Random Binary Sequence |
| PSI | Payload Structure Identifier |
| PT | Payload Type |
| RES | Reserved for future international standardization |
| RS | Reed-Solomon |
| SAPI | Source Access Point Identifier |
| Sk | Sink |
| SM | Section Monitoring |
| SMOH | Section Monitoring OverHead |
| So | Source |
| TC | Tandem Connection |
| TCM | Tandem Connection Monitoring |
| TCMOH | Tandem Connection Monitoring OverHead |
| TxTI | Transmitted Trace Identifier |
| UNI | User-to-Network Interface |

5 Conventions

The functional architecture of the optical transport network as specified in ITU-T G.872 is used to derive the ONNI. The ONNI is specified in terms of the adapted and characteristic information present in each layer as described in ITU-T G.805.

Transmission order: The order of transmission of information in all the diagrams in this Recommendation is first from left to right and then from top to bottom. Within each byte the most significant bit is transmitted first. The most significant bit (bit 1) is illustrated at the left in all the diagrams.

Value of reserved bit(s): The value of an overhead bit, which is reserved or reserved for future international standardization shall be set to "0".

Value of non-sourced bit(s): Unless stated otherwise, any non-sourced bits shall be set to "0".

OTUk, ODUk and OPUk overhead assignment: The assignment of overhead in the optical channel transport/data/payload unit signal to each part is defined in Figure 5-1.

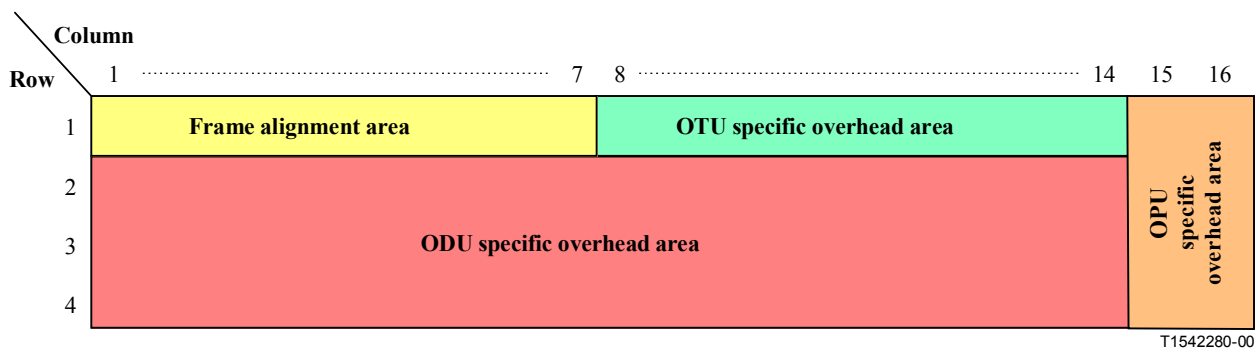


Figure 5-1/G.709/Y.1331 – OTUk, ODUk and OPUk overhead

6 Optical transport network interface structure

The optical transport network as specified in ITU-T G.872 defines two interface classes:

- Inter-domain interface (IrDI);
- Intra-domain interface (IaDI).

The OTN IrDI interfaces are defined with 3R processing at each end of the interface.

The Optical Transport Module-n (OTM-n) is the information structure used to support OTN interfaces. Two OTM-n structures are defined:

- OTM interfaces with full functionality (OTM-n.m);
- OTM interfaces with reduced functionality (OTM-0.m, OTM-nr.m).

The reduced functionality OTM interfaces are defined with 3R processing at each end of the interface to support the OTN IrDI interface class.

6.1 Basic signal structure

The basic structure is shown in Figure 6-1.

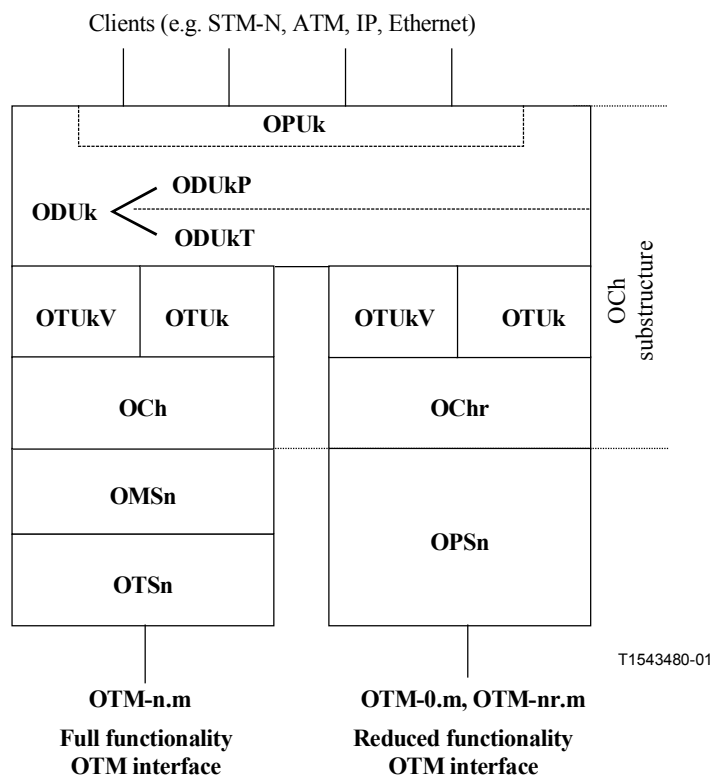


Figure 6-1/G.709/Y.1331 – Structure of the OTN interfaces

6.1.1 OCh substructure

The optical channel layer as defined in ITU-T G.872 is further structured in layer networks in order to support the network management and supervision functionalities defined in ITU-T G.872:

- The optical channel with full (OCh) or reduced functionality (OChr), which provides transparent network connections between 3R regeneration points in the OTN.
- The completely or functionally standardized optical channel transport unit (OTUk/OTUkV) which provides supervision and conditions the signal for transport between 3R regeneration points in the OTN.
- The optical channel data unit (ODUk) which provides:
 - tandem connection monitoring (ODUkT);
 - end-to-end path supervision (ODUkP); and
 - adaptation of client signals via the Optical Channel Payload Unit (OPUk).

6.1.2 Full functionality OTM-n.m ($n \geq 1$) structure

The OTM-n.m ($n \geq 1$) consists of the following layers:

- optical transmission section (OTS_n);
- optical multiplex section (OMS_n);
- full functionality optical channel (OCh);
- completely or functionally standardized optical channel transport unit (OTUk/OTUkV);
- optical channel data unit (ODUk).

6.1.3 Reduced functionality OTM-nr.m and OTM-0.m structure

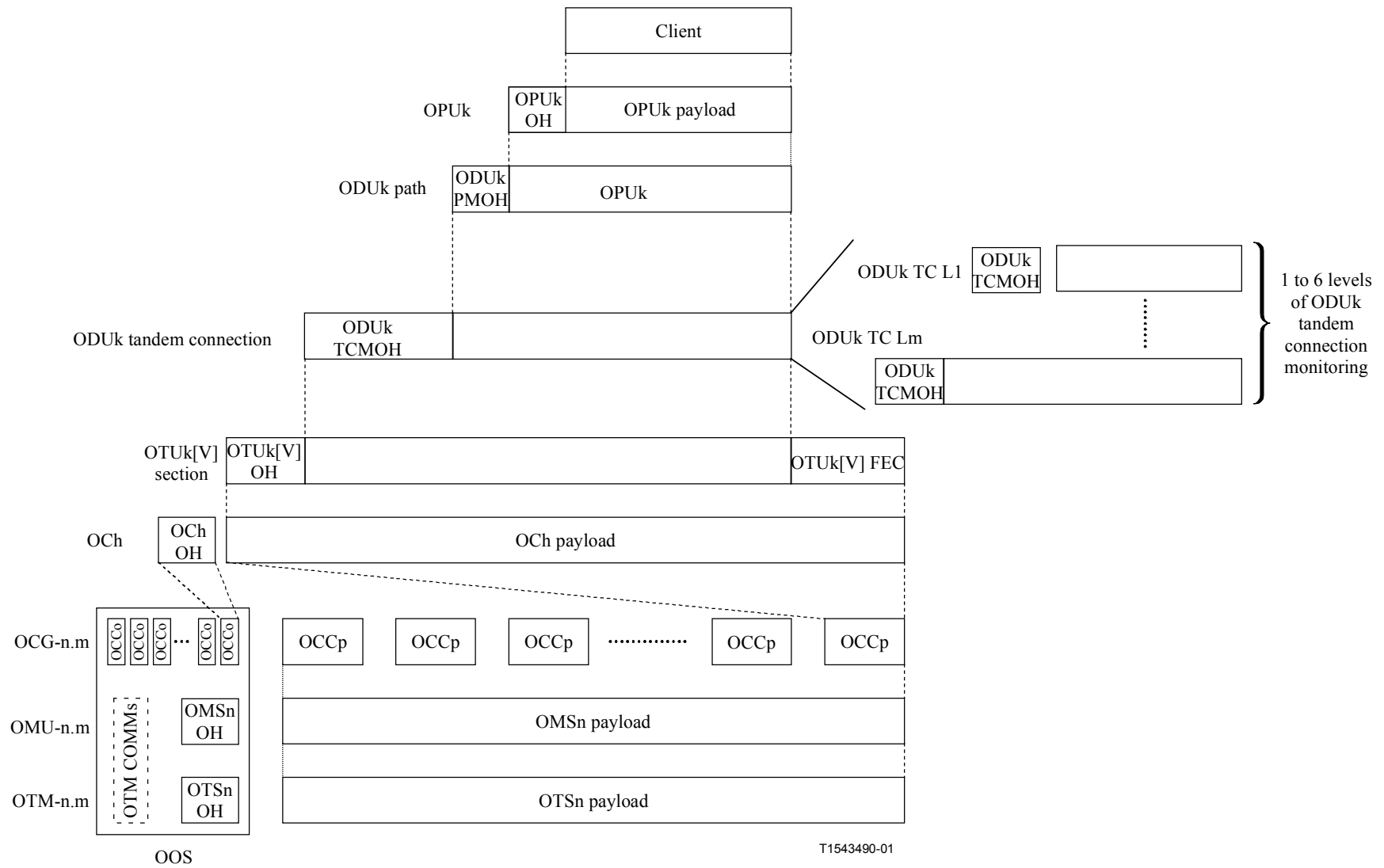
The OTM-nr.m and OTM-0.m consists of the following layers:

- optical physical section (OPSn);
- reduced functionality optical channel (OChr);
- completely or functionally standardized optical channel transport unit (OTUk/OTUkV);
- optical channel data unit (ODUk).

6.2 Information structure for the OTN interfaces

The information structure for the OTN interfaces is represented by information containment relationships and flows. The principal information containment relationships are described in Figures 6-2, 6-3 and 6-4. The information flows are illustrated in Figure 6-5.

For supervision purposes in the OTN, the OTUk/OTUkV signal is terminated whenever the OCh signal is terminated.



T1543490-01

Figure 6-2/G.709/Y.1331 – OTM-n.m principal information containment relationships

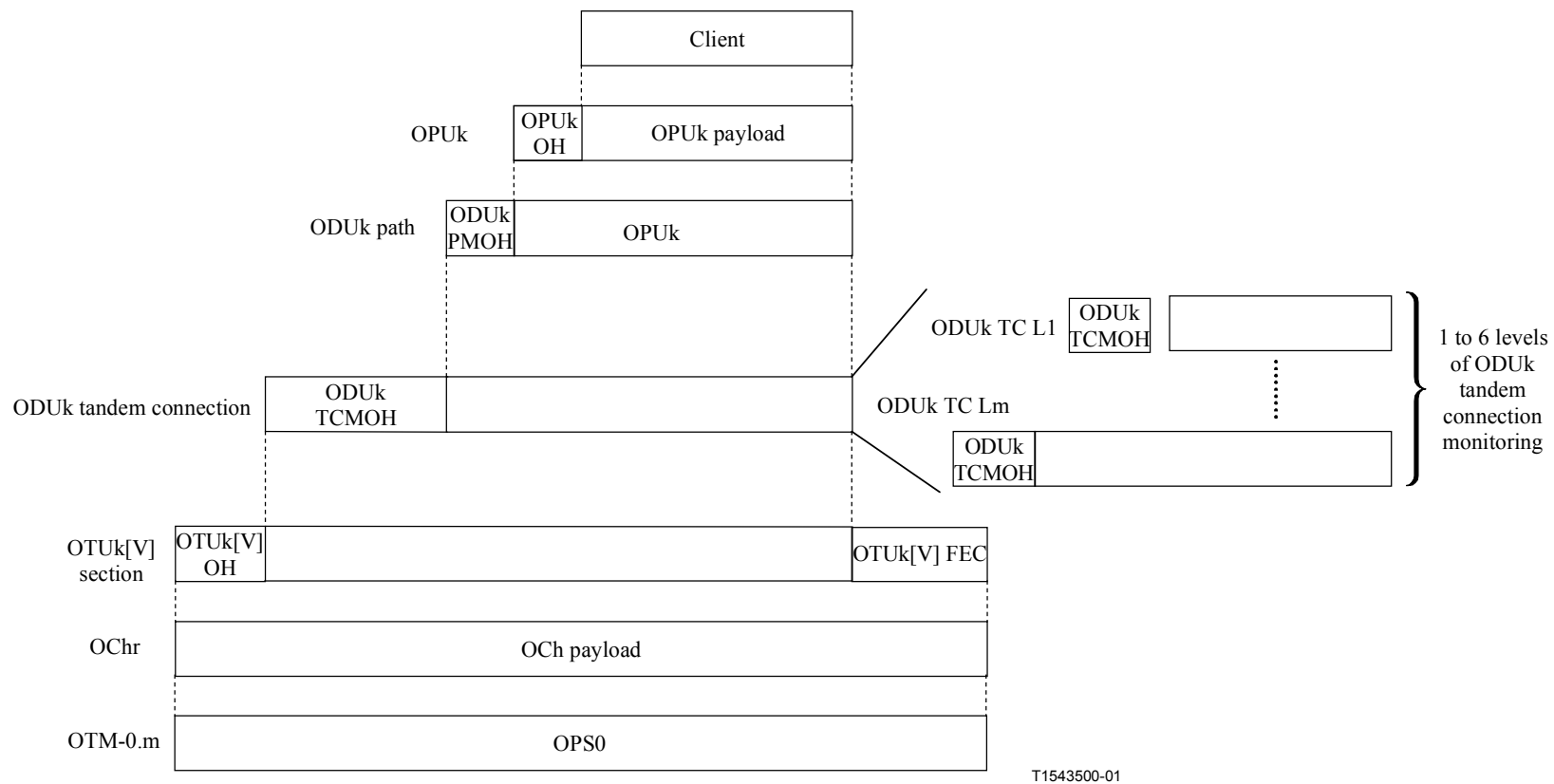
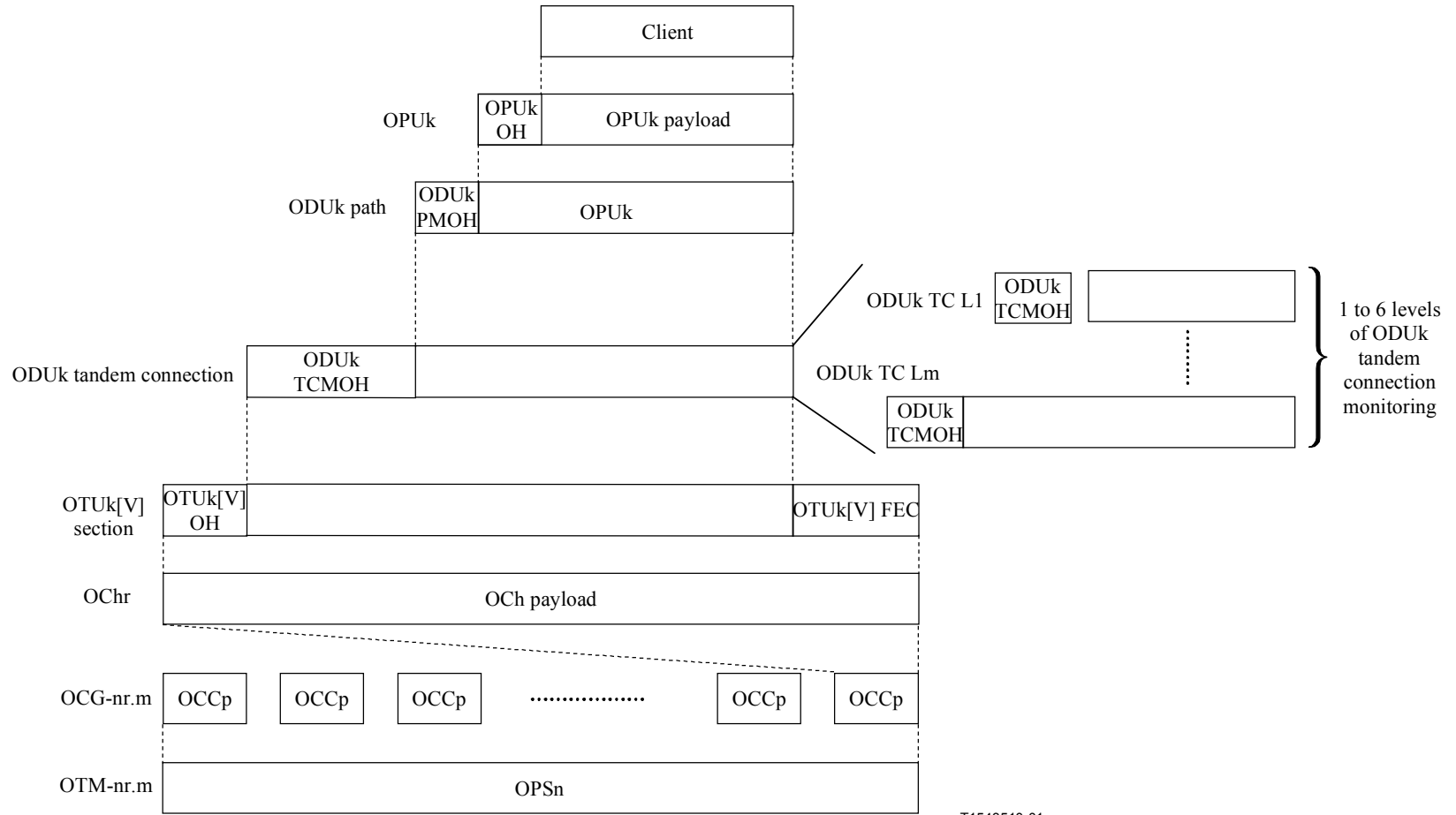
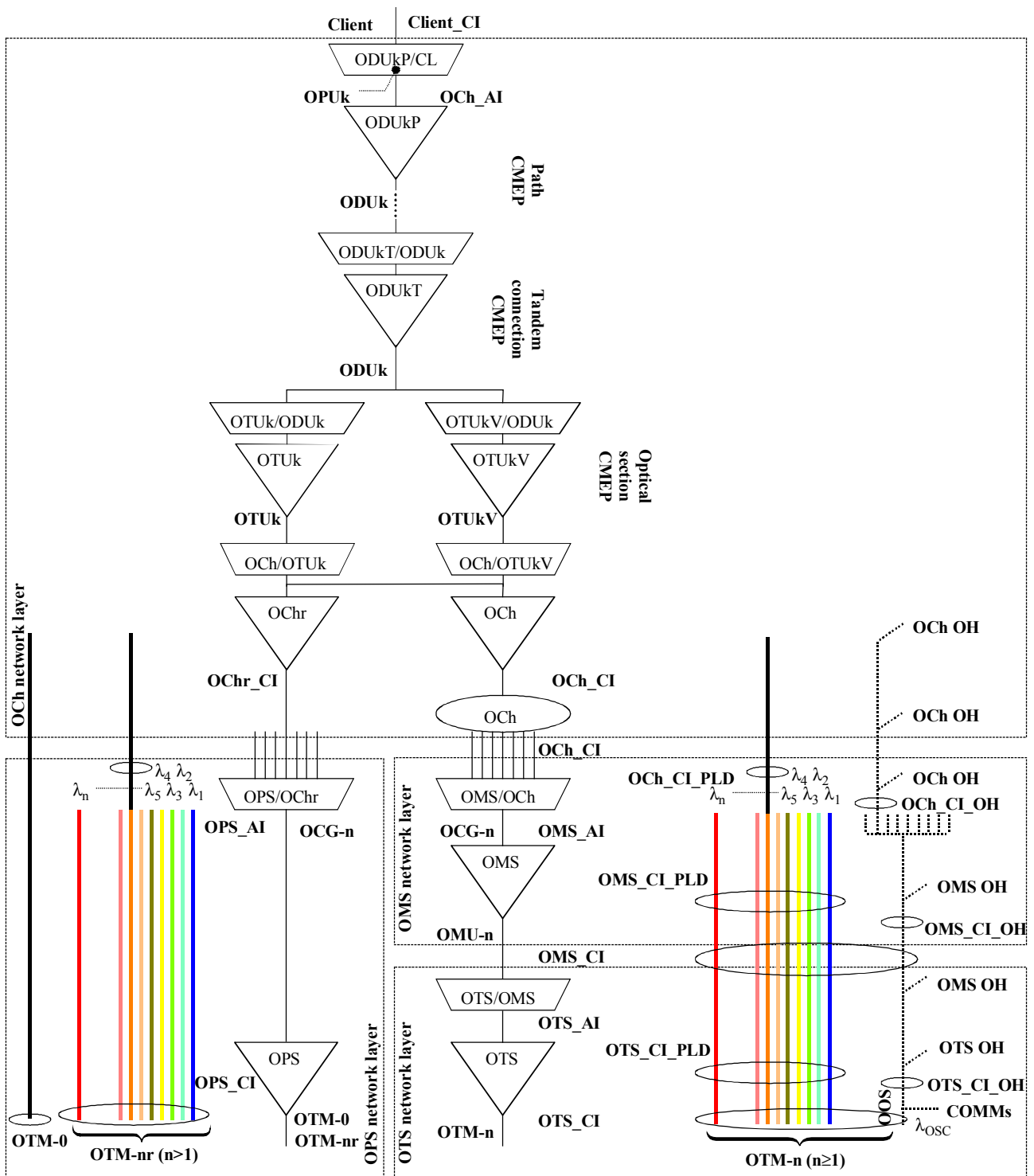


Figure 6-3/G.709/Y.1331 – OTM-0.m principal information containment relationships



T1543510-01

Figure 6-4/G.709/Y.1331 – OTM-nr.m principal information containment relationships



NOTE – The model in this figure is for illustrative purposes only. λ represents an optical wavelength.

T1543520-01

Figure 6-5/G.709/Y.1331 – Example of information flow relationship

7 Multiplexing/mapping principles and bit rates

Figure 7-1 shows the relationship between various information structure elements and illustrates the multiplexing structure and mappings for the OTM-n.

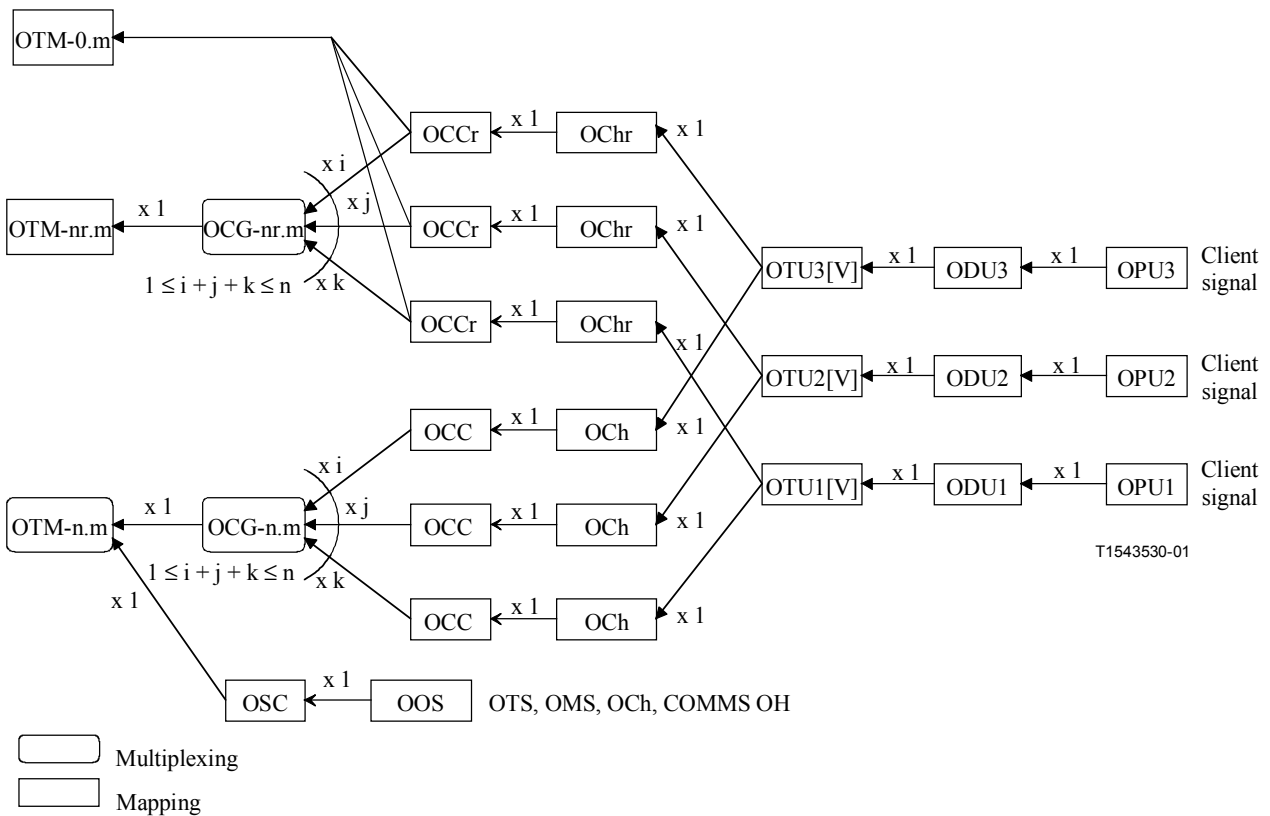


Figure 7-1/G.709/Y.1331 – OTM multiplexing and mapping structures

The OTS, OMS, OCh and COMMS overhead is inserted into the OOS using mapping and multiplexing techniques outside the scope of this Recommendation.

7.1 Mapping

The client signal is mapped into the OPU_k. The OPU_k is mapped into an ODU_k and the ODU_k is mapped into an OTU_k[V]. The OTU_k[V] is mapped into an OCh[r] and the OCh[r] is then modulated onto an OCC[r].

7.2 Wavelength division multiplex

Up to n ($n \geq 1$) OCC[r] are multiplexed into an OCG- n [r].m using wavelength division multiplexing. The OCC[r] tributary slots of the OCG- n [r].m can be of different size.

The OCG- n [r].m is transported via the OTM- n [r].m. For the case of the full functionality OTM- n .m interfaces the OSC is multiplexed into the OTM- n .m using wavelength division multiplexing.

7.3 Bit rates and capacity

The bit rates and capacity of the OTU_k signals are defined in Table 7-1.

The bit rates and capacity of the ODU_k signals are defined in Table 7-2.

The bit rates and capacity of the OPU_k Payload are defined in Table 7-3.

The OTU_k/ODU_k/OPU_k frame periods are defined in Table 7-4.

Table 7-1/G.709/Y.1331 – OTU types and capacity

| OTU type | OTU nominal bit rate | OTU bit rate tolerance |
|--|-----------------------------|------------------------|
| OTU1 | 255/238 × 2 488 320 kbit/s | ±20 ppm |
| OTU2 | 255/237 × 9 953 280 kbit/s | |
| OTU3 | 255/236 × 39 813 120 kbit/s | |
| NOTE – The nominal OTUk rates are approximately: 2 666 057.143 kbit/s (OTU1), 10 709 225.316 kbit/s (OTU2) and 43 018 413.559 kbit/s (OTU3). | | |

Table 7-2/G.709/Y.1331 – ODU types and capacity

| ODU type | ODU nominal bit rate | ODU bit rate tolerance |
|--|-----------------------------|------------------------|
| ODU1 | 239/238 × 2 488 320 kbit/s | ±20 ppm |
| ODU2 | 239/237 × 9 953 280 kbit/s | |
| ODU3 | 239/236 × 39 813 120 kbit/s | |
| NOTE – The nominal ODUk rates are approximately: 2 498 775.126 kbit/s (ODU1), 10 037 273.924 kbit/s (ODU2) and 40 319 218.983 kbit/s (ODU3). | | |

Table 7-3/G.709/Y.1331 – OPU types and capacity

| OPU type | OPU Payload nominal bit rate | OPU Payload bit rate tolerance |
|---|------------------------------|--------------------------------|
| OPU1 | 2 488 320 kbit/s | ±20 ppm |
| OPU2 | 238/237 × 9 953 280 kbit/s | |
| OPU3 | 238/236 × 39 813 120 kbit/s | |
| NOTE – The nominal OPUk Payload rates are approximately: 2 488 320.000 kbit/s (OPU1 Payload), 9 995 276.962 kbit/s (OPU2 Payload) and 40 150 519.322 kbit/s (OPU3 Payload). | | |

Table 7-4/G.709/Y.1331 – OTUk/ODUk/OPUk frame periods

| OTU/ODU/OPU type | Period (Note) |
|--|---------------|
| OTU1/ODU1/OPU1 | 48.971 μs |
| OTU2/ODU2/OPU2 | 12.191 μs |
| OTU3/ODU3/OPU3 | 3.035 μs |
| NOTE – The period is an approximated value, rounded to 3 digits. | |

8 Optical transport module (OTM-n.m, OTM-nr.m, OTM-0.m)

Two OTM structures are defined, one with full functionality and one with reduced functionality. For the IrDI only reduced functionality OTM interfaces are currently defined. Other full or reduced functionality OTM IrDIs are for further study.

8.1 OTM with reduced functionality (OTM-0.m, OTM-nr.m)

The OTM-n supports n optical channels on a single optical span with 3R regeneration and termination of the OTUk[V] on each end. As 3R regeneration is performed on both sides of the OTM-0.m and OTM-nr.m interfaces access to OTUk[V] overhead is available and

maintenance/supervision of the interface is provided via this overhead. Therefore non-associated OTN overhead is not required across the OTM-0.m and OTM-nr.m interfaces and an OSC/OOS is not supported.

Two OTM interfaces classes with reduced functionality are defined, OTM-0.m and OTM-16r.m. Other reduced functionality interfaces classes are for further study.

8.1.1 OTM-0.m

The OTM-0.m supports a non-coloured optical channel on a single optical span with 3R regeneration at each end.

Three OTM-0.m interface signals (Figure 8-1) are defined, each carrying a single channel optical signal containing one OTUk[V] signal:

- OTM-0.1 (carrying an OTU1[V]);
- OTM-0.2 (carrying an OTU2[V]);
- OTM-0.3 (carrying an OTU3[V]).

In generic terms: OTM-0.m.

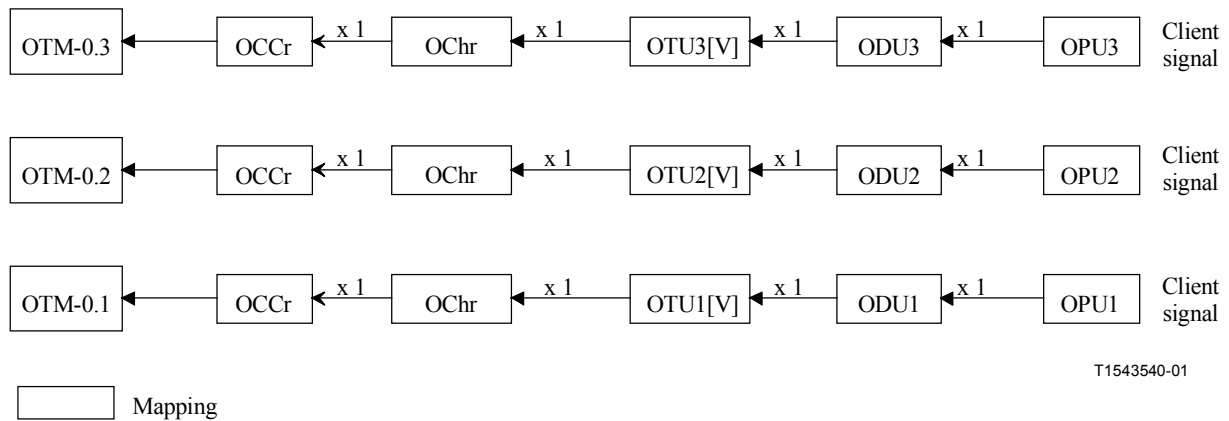


Figure 8-1/G.709/Y.1331 – OTM-0.m structure

Figure 8-1 shows the relationship between various information structure elements that are defined below and illustrates possible mappings for the OTM-0.m.

An OSC is not present and there is no OOS either.

8.1.2 OTM-16r.m

This OTM-16r.m supports 16 optical channels on a single optical span with 3R regeneration at each end.

Six OTM-16r interface signals are defined:

- OTM-16r.1 (carrying i ($i \leq 16$) OTU1[V] signals);
- OTM-16r.2 (carrying j ($j \leq 16$) OTU2[V] signals);
- OTM-16r.3 (carrying k ($k \leq 16$) OTU3[V] signals);
- OTM-16r.123 (carrying i ($i \leq 16$) OTU1[V], j ($j \leq 16$) OTU2[V] and k ($k \leq 16$) OTU3[V] signals with $i + j + k \leq 16$);
- OTM-16r.12 (carrying i ($i \leq 16$) OTU1[V] and j ($j \leq 16$) OTU2[V] signals with $i + j \leq 16$);
- OTM-16r.23 (carrying j ($j \leq 16$) OTU2[V] and k ($k \leq 16$) OTU3[V] signals with $j + k \leq 16$);

in generic terms identified as OTM-16r.m.

The OTM-16r.m signal is an OTM-nr.m signal with 16 optical channel carriers (OCCr) numbered OCCr #0 to OCCr #15 (Figure 6-5). An optical supervisory channel (OSC) is not present and there is no OOS either.

At least one of the OCCrs is in service during normal operation and transporting an OTUk[V].

There is no predefined order in which the OCCrs are taken into service.

The six defined OTM-16r.m interface signals and the OTM-16r.m multiplexing structure is shown in Figure 8-2.

NOTE – OTM-16r.m OPS overhead is not defined. The interface will use the OTUk[V] SMOH in this multiwavelength interface for supervision and management. OTM-16r.m connectivity (TIM) failure reports will be computed from the individual OTUk[V] reports by means of failure correlation in fault management. Refer to the equipment Recommendations for further details.

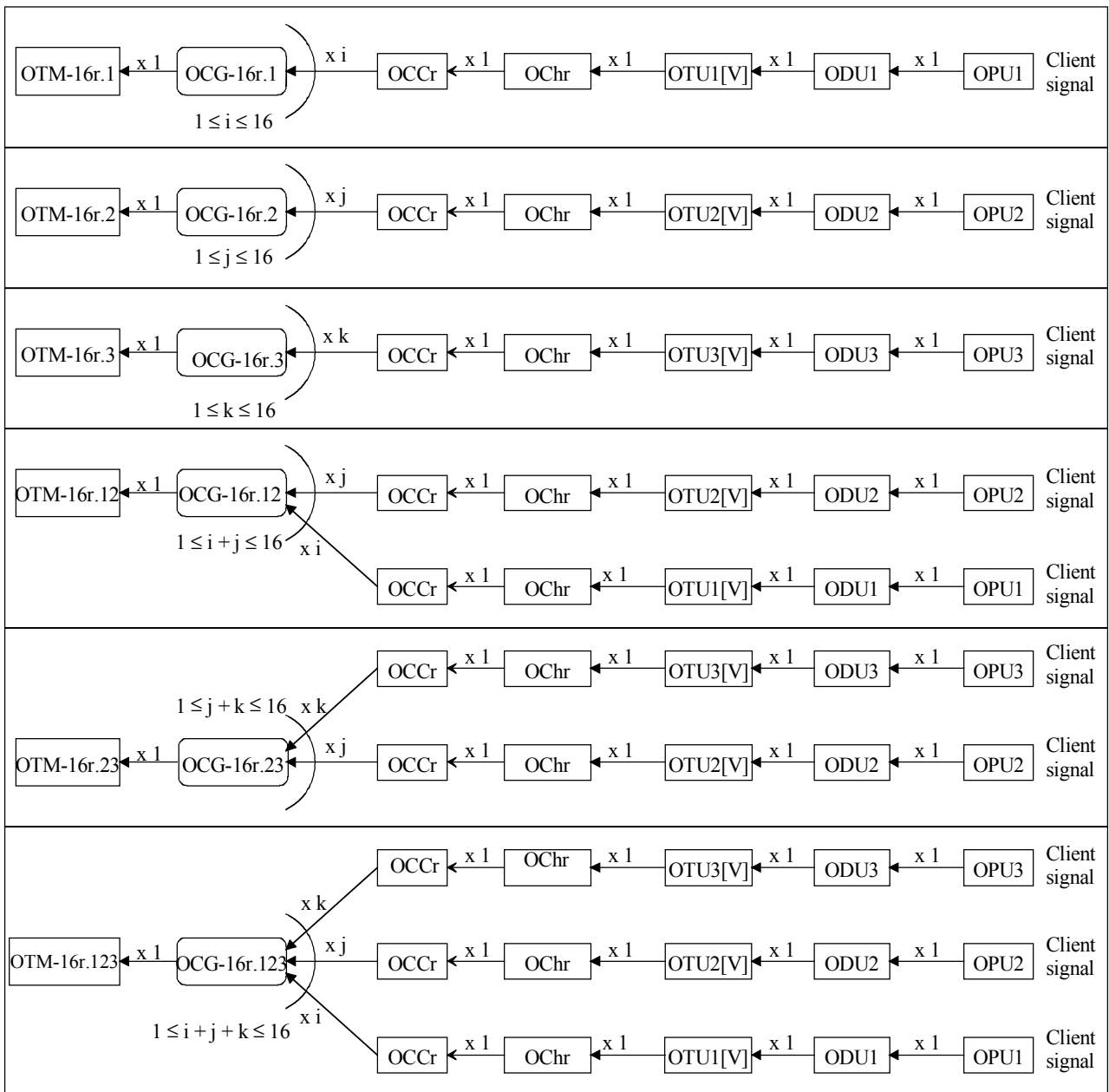


Figure 8-2/G.709/Y.1331 – OTM-16r.m multiplexing structure

8.2 OTM with full functionality (OTM-n.m)

The OTM-n.m interface supports up to n optical channels for single or multiple optical spans. 3R regeneration is not required at the interface.

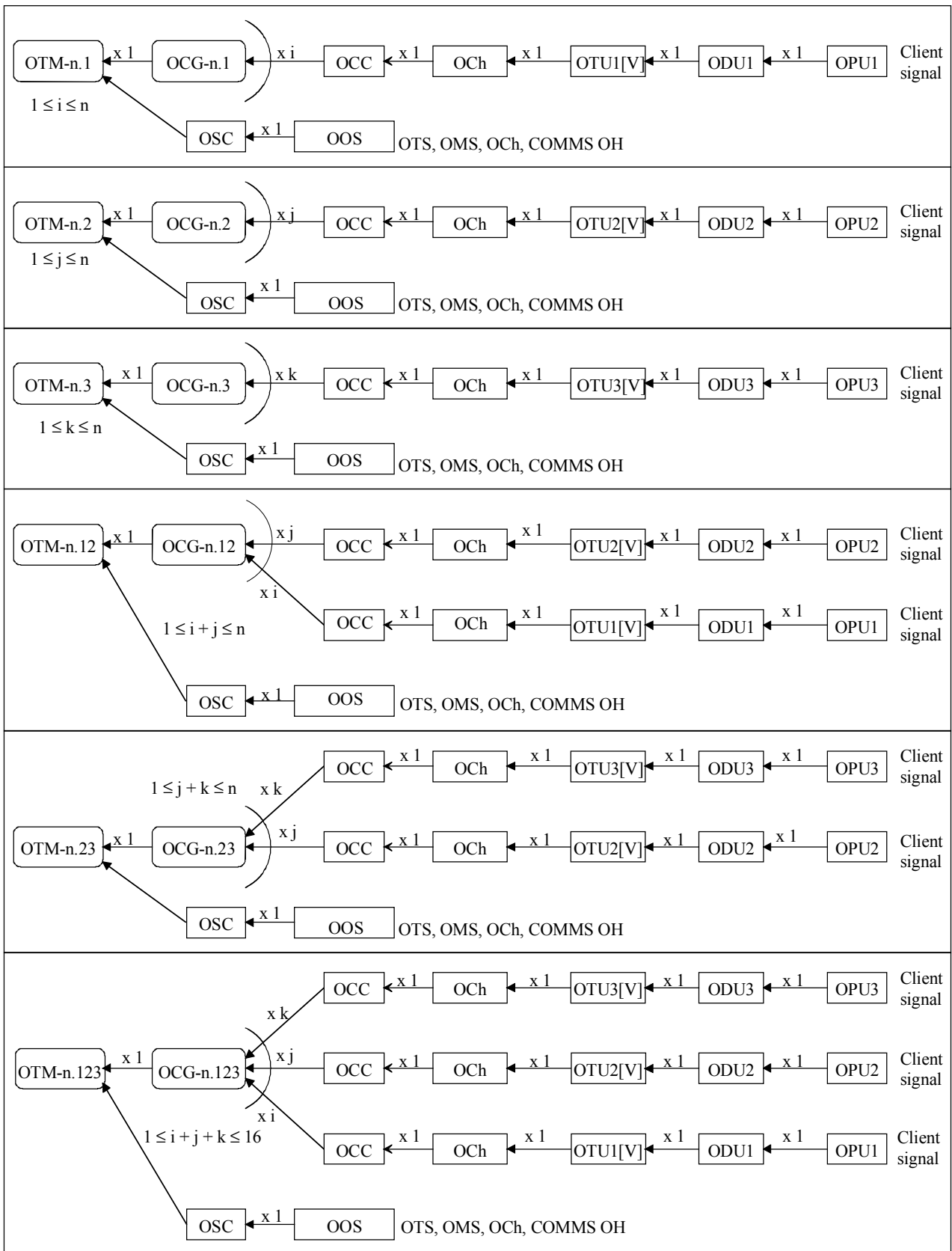
Six OTM-n interface signals are defined:

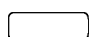
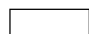
- OTM-n.1 (carrying i ($i \leq n$) OTU1[V] signals);
- OTM-n.2 (carrying j ($j \leq n$) OTU2[V] signals);
- OTM-n.3 (carrying k ($k \leq n$) OTU3[V] signals);
- OTM-n.123 (carrying i ($i \leq n$) OTU1[V], j ($j \leq n$) OTU2[V] and k ($k \leq n$) OTU3[V] signals with $i + j + k \leq n$);

- OTM-n.12 (carrying i ($i \leq n$) OTU1[V] and j ($j \leq n$) OTU2[V] signals with $i + j \leq n$);
- OTM-n.23 (carrying j ($j \leq n$) OTU2[V] and k ($k \leq n$) OTU3[V] signals with $j + k \leq n$),

in generic terms identified as OTM-n.m.

An OTM-n.m interface signal contains up to "n" OCCs associated with the lowest bit rate that is supported as indicated by m and an OSC (Figure 8-3). It is possible that a reduced number of higher bit rate capable OCCs are supported. The value of "n", "m" and the OSC are not defined in this Recommendation.



 Multiplexing
 Mapping

T1543560-01

Figure 8-3/G.709/Y.1331 – OTM-n.m multiplexing structure

9 Physical specification of the ONNI

9.1 OTM-0.m

Specifications for physical optical characteristics of the OTM-0.1 and OTM-0.2 signals are contained in ITU-T G.959.1.

Specifications for physical optical characteristics of the OTM-0.3 are for further study.

9.2 OTM-16r.m

Specifications for physical optical characteristics of the OTM-16r.1 and OTM-16r.2 signals are contained in ITU-T G.959.1.

Specifications for physical optical characteristics of the OTM-16r.3, OTM-16r.12, OTM-16r.23 and OTM-16r.123 are for further study.

9.3 OTM-n.m

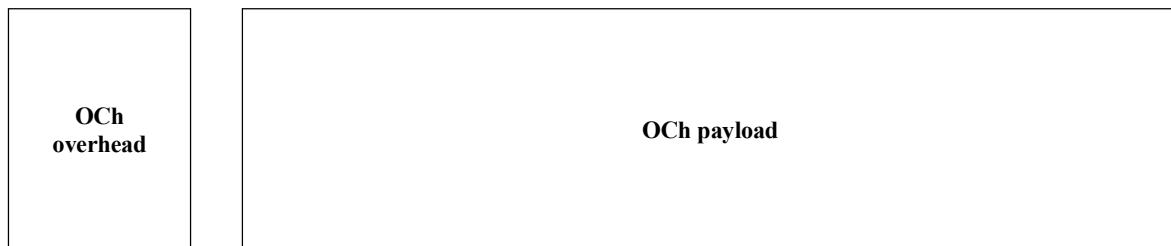
Specifications for physical optical characteristics of the OTM-n.m are vendor specific and outside the scope of this Recommendation.

10 Optical channel (OCh)

The OCh transports a digital client signal between 3R regeneration points. The OCh client signals defined in this Recommendation are the OTUk signals. Other digital client signals (e.g. STM-N, GbE) may be supported by the OTM.

10.1 OCh with full functionality (OCh)

The optical channel with full functionality (OCh) structure is conceptually shown in Figure 10-1. It contains two parts: OCh overhead and OCh payload.



T1543570-01

Figure 10-1/G.709/Y.1331 – OCh information structure

10.2 OCh with reduced functionality (OChr)

The optical channel with reduced functionality (OChr) structure is conceptually shown in Figure 10-2. It contains: OChr payload.

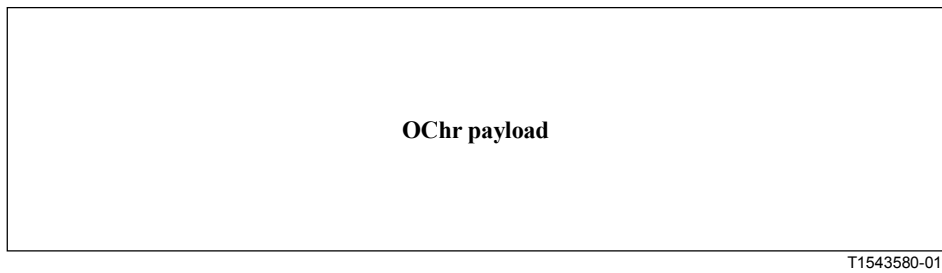


Figure 10-2/G.709/Y.1331 – OChr information structure

11 Optical channel transport unit (OTU)

The OTU_k[V] conditions the ODU_k for transport over an optical channel network connection. The OTU_k frame structure is completely standardized. The OTU_kV is a frame structure that is only functionally standardized (i.e. only the required functionality is specified); refer to Appendix II.

11.1 OTU_k frame structure

The OTU_k (k = 1,2,3) frame structure is based on the ODU_k frame structure and extends it with a forward error correction (FEC) as shown in Figure 11-1. 256 columns are added to the ODU_k frame for the FEC and the reserved overhead bytes in row 1, columns 8 to 14 of the ODU_k overhead are used for OTU_k specific overhead, resulting in an octet-based block frame structure with four rows and 4080 columns. The MSB in each octet is bit 1, the LSB is bit 8.

The bit rates of the OTU_k signals are defined in Table 7-1.

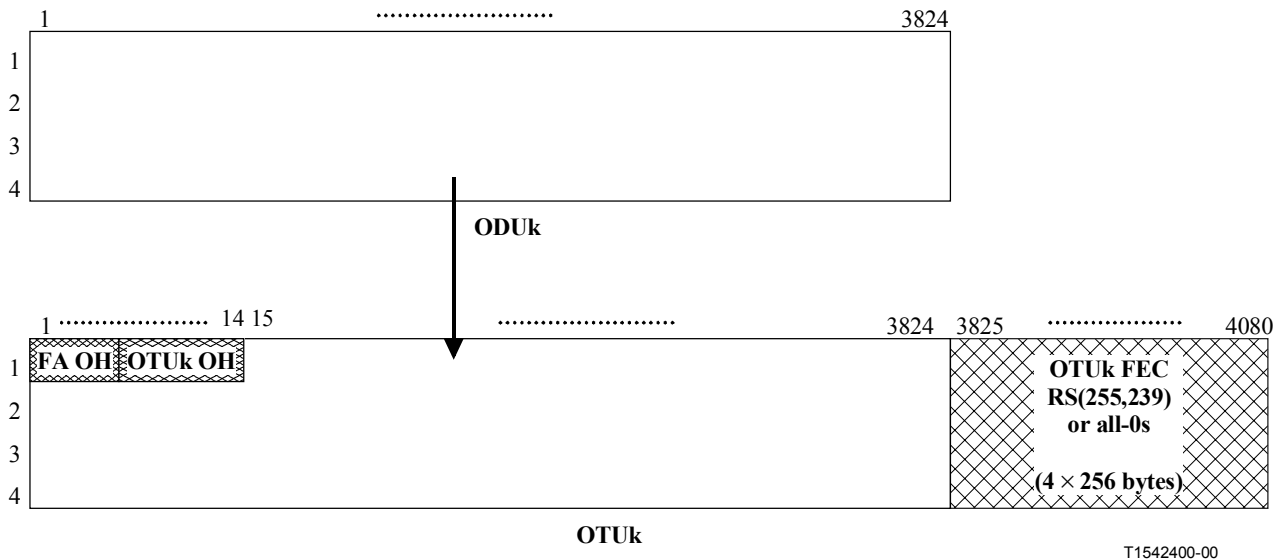


Figure 11-1/G.709/Y.1331 – OTU_k frame structure

The OTU_k forward error correction (FEC) contains the Reed-Solomon RS(255,239) FEC codes. If no FEC is used, fixed stuff bytes (all-0s pattern) are to be used.

The RS(255,239) FEC code shall be computed as specified in Annex A/G.709.

For interworking of equipment supporting FEC, with equipment not supporting FEC (inserting fixed stuff all-0s pattern in the OTUk FEC area), the FEC supporting equipment shall support the capability to disable the FEC decoding process (ignore the content of the OTUk FEC).

The transmission order of the bits in the OTUk frame is left to right, top to bottom, and MSB to LSB (Figure 11-2).

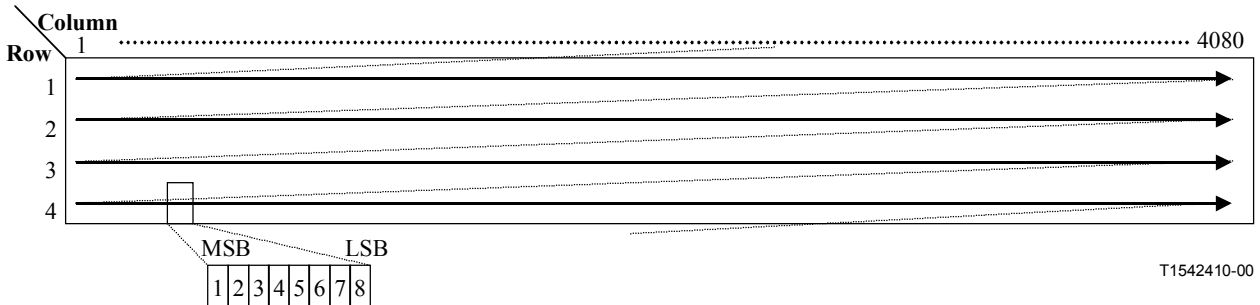


Figure 11-2/G.709/Y.1331 – Transmission order of the OTUk frame bits

11.2 Scrambling

The OTUk signal must have sufficient bit timing content at the ONNI. A suitable bit pattern, which prevents a long sequence of "1"s or "0"s, is provided by using a scrambler.

The operation of the scrambler shall be functionally identical to that of a frame synchronous scrambler of sequence length 65535 operating at the OTUk rate.

The generating polynomial shall be $1 + x + x^3 + x^{12} + x^{16}$. Figure 11-3 shows a functional diagram of the frame synchronous scrambler.

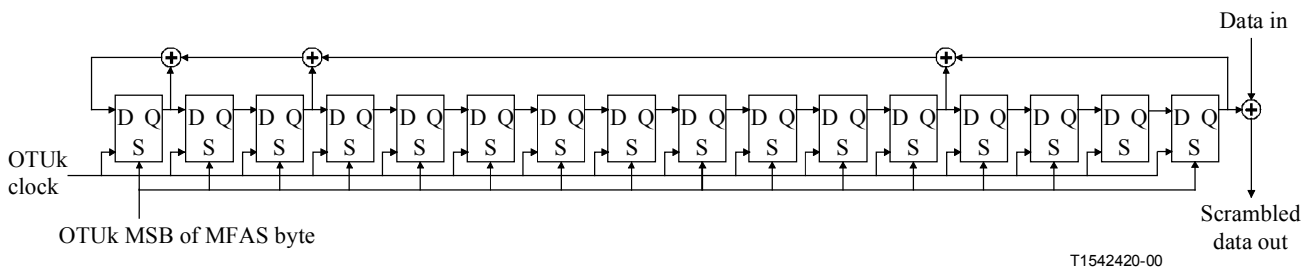


Figure 11-3/G.709/Y.1331 – Frame synchronous scrambler

The scrambler shall be reset to "FFFF" (HEX) on the most significant bit of the byte following the last framing byte in the OTUk frame, i.e. the MSB of the MFAS byte. This bit, and all subsequent bits to be scrambled, shall be added modulo 2 to the output from the x^{16} position of the scrambler. The scrambler shall run continuously throughout the complete OTUk frame. The framing bytes (FAS) of the OTUk overhead shall not be scrambled.

Scrambling is performed after FEC computation and insertion into the OTUk signal.

12 Optical channel data unit (ODUk)

12.1 ODUk frame structure

The ODUk (k = 1,2,3) frame structure is shown in Figure 12-1. It is organized in an octet-based block frame structure with four rows and 3824 columns.

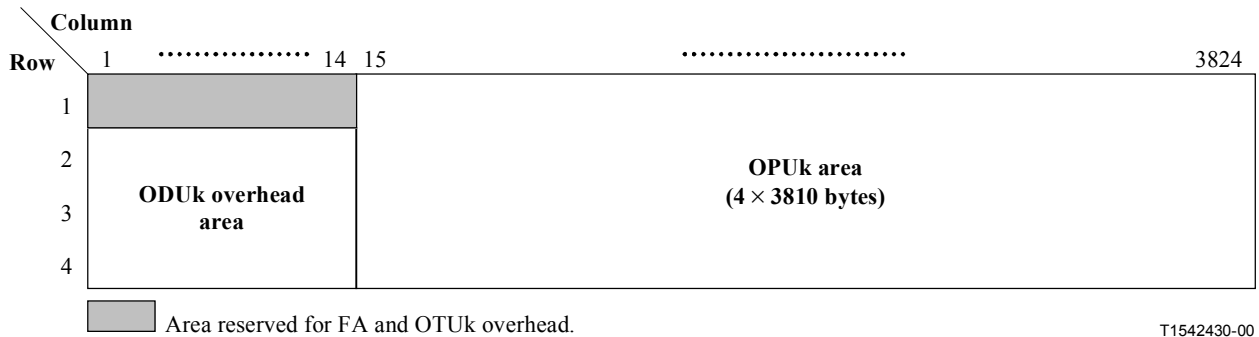


Figure 12-1/G.709/Y.1331 – ODUk frame structure

The two main areas of the ODUk frame are:

- ODUk overhead area;
- OPUk area.

Columns 1 to 14 of the ODUk are dedicated to ODUk overhead area.

NOTE – Columns 1 to 14 of row 1 are reserved for frame alignment and OTUk specific overhead.

Columns 15 to 3824 of the ODUk are dedicated to OPUk area.

13 Optical channel payload unit (OPUk)

The OPUk (k = 1,2,3) frame structure is shown in Figure 13-1. It is organized in an octet-based block frame structure with four rows and 3810 columns.

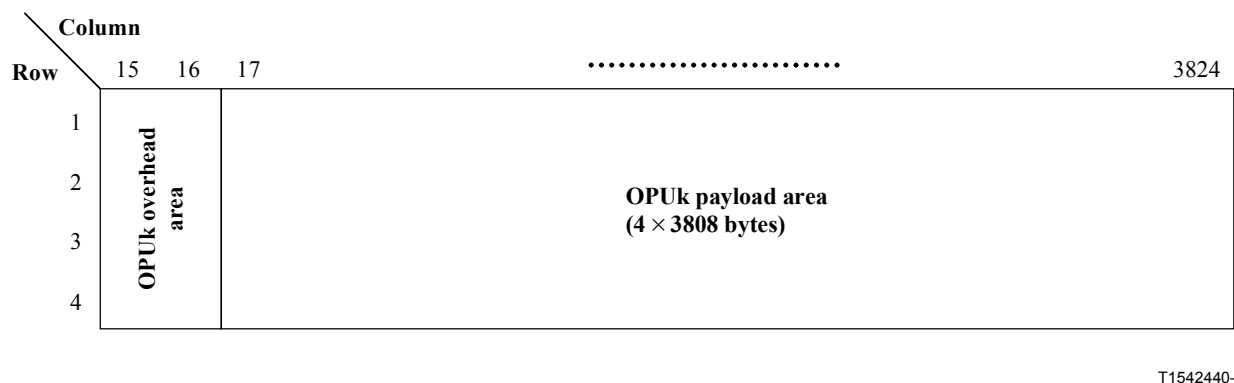


Figure 13-1/G.709/Y.1331 – OPUk frame structure

The two main areas of the OPUk frame are:

- OPUk overhead area;
- OPUk payload area.

Columns 15 to 16 of the OPuK are dedicated to OPuK overhead area.

Columns 17 to 3824 of the OPuK are dedicated to OPuK payload area.

NOTE – OPuK column numbers are derived from the OPuK columns in the ODuK frame.

14 OTM overhead signal (OOS)

The OTM overhead signal (OOS) consists of the OTS, OMS and OCh overhead. The format, structure and bit rate of the OOS is not defined in this Recommendation. The OOS is transported via an OSC.

Depending on an operator's logical management overlay network design, general management communications may also be transported within the OOS. Therefore, the OOS for some applications may also transport general management communications. General management communications may include signalling, voice/voiceband communications, software download, operator-specific communications, etc.

15 Overhead description

An overview of OTS, OMS and OCh overhead is presented in Figure 15-1.

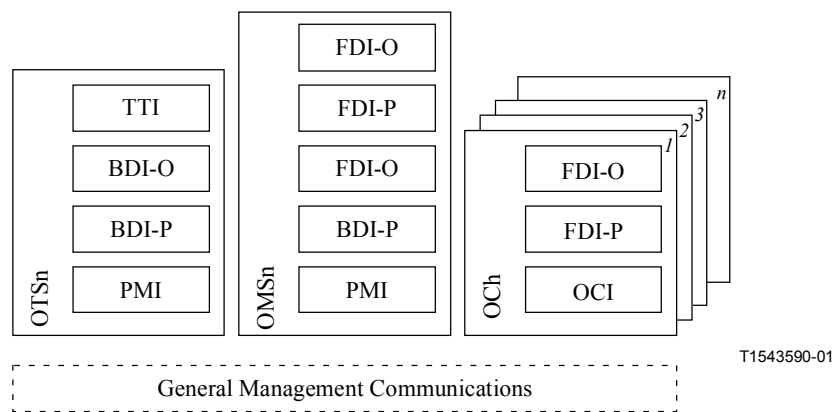
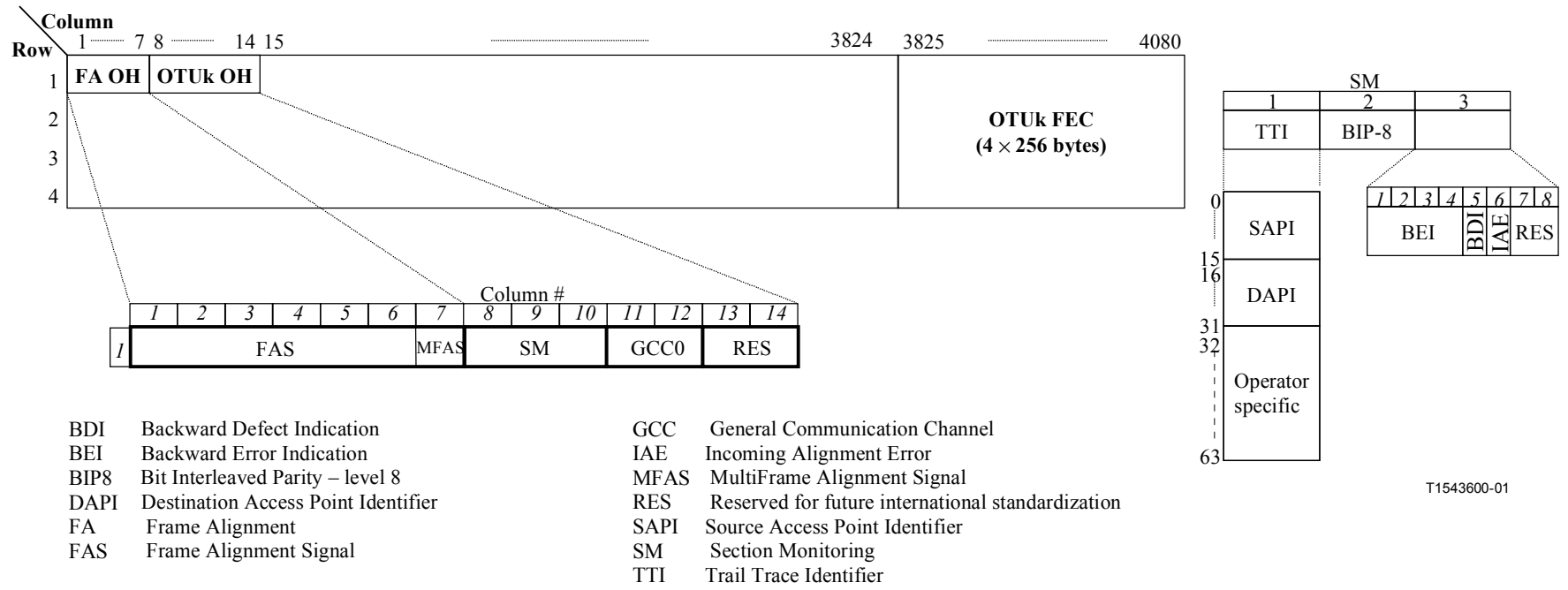


Figure 15-1/G.709/Y.1331 – OTSn, OMSn and OCh overhead as logical elements within the OOS

An overview of OTuK, ODuK and OPuK overhead is presented in Figures 15-2 and 15-3.



T1543600-01

Figure 15-2/G.709/Y.1331 – OTUk frame structure, frame alignment, and OTUk overhead

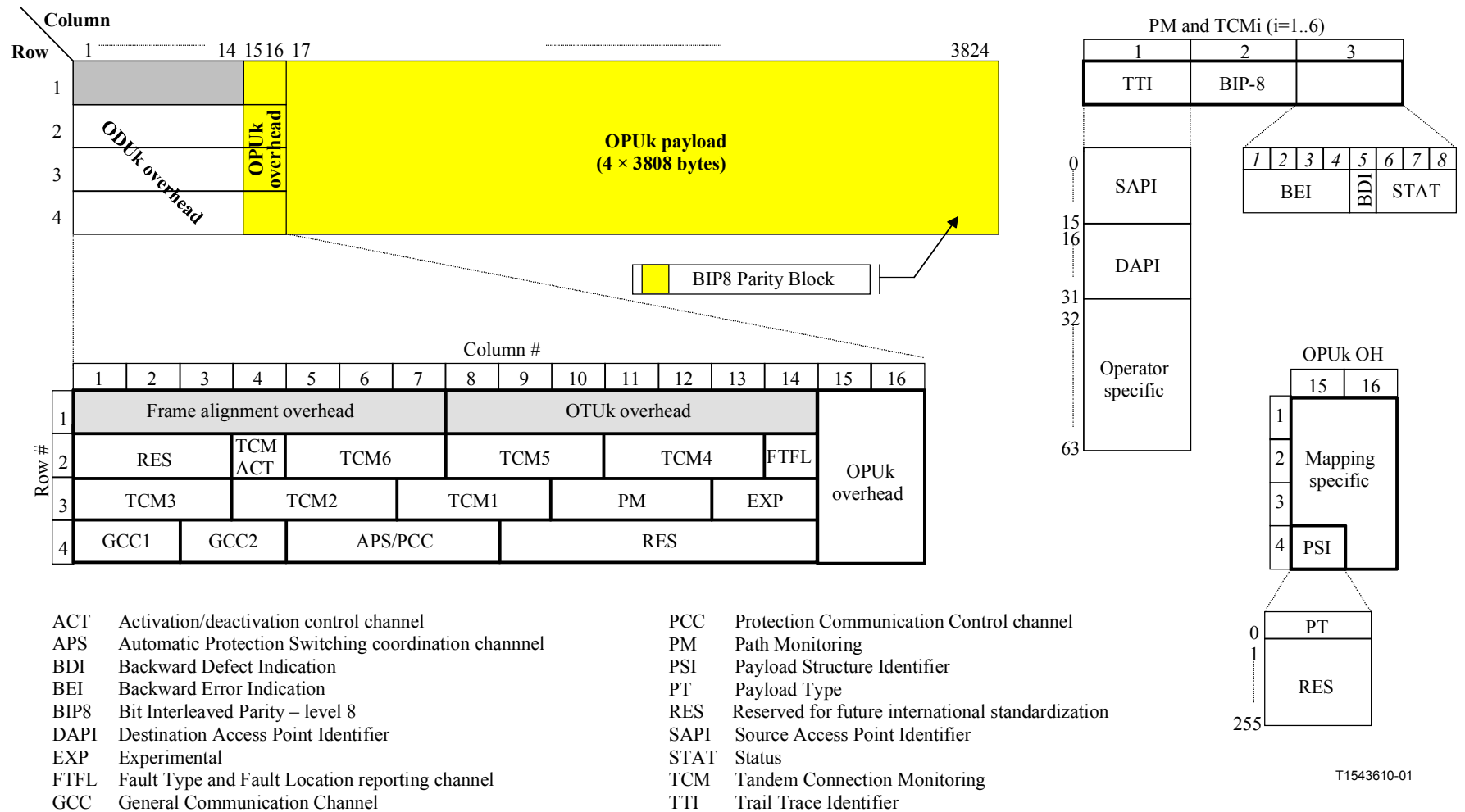


Figure 15-3/G.709/Y.1331 – ODUk frame structure ODUk and OPUk overhead

15.1 Types of overhead

15.1.1 Optical channel payload unit overhead (OPUk OH)

OPUk OH information is added to the OPUk information payload to create an OPUk. It includes information to support the adaptation of client signals. The OPUk OH is terminated where the OPUk is assembled and disassembled. The specific OH format and coding is defined in 15.9.

15.1.2 Optical channel data unit overhead (ODUk OH)

ODUk OH information is added to the ODUk information payload to create an ODUk. It includes information for maintenance and operational functions to support optical channels. The ODUk OH consists of portions dedicated to the end-to-end ODUk path and to six levels of tandem connection monitoring. The ODUk path OH is terminated where the ODUk is assembled and disassembled. The TC OH is added and terminated at the source and sink of the corresponding tandem connections, respectively. The specific OH format and coding is defined in 15.6 and 15.8.

15.1.3 Optical channel transport unit overhead (OTUk OH)

OTUk OH information is part of the OTUk signal structure. It includes information for operational functions to support the transport via one or more optical channel connections. The OTUk OH is terminated where the OTUk signal is assembled and disassembled. The specific OH format and coding is defined in 15.6 and 15.7.

The specific frame structure and coding for the non-standard OTUkV OH is outside the scope of this Recommendation. Only the required basic functionality that has to be supported is defined in 15.7.3.

15.1.4 Optical channel non-associated overhead (OCh OH)

OCh OH information is added to the OTUk to create an OCh. It includes information for maintenance functions to support fault management. The OCh OH is terminated where the OCh signal is assembled and disassembled.

The specific frame structure and coding for the OCh OH is outside the scope of this Recommendation. Only the required basic functionality that has to be supported is defined in 15.5.

15.1.5 Optical multiplex section overhead (OMS OH)

OMS OH information is added to the OCG to create an OMU. It includes information for maintenance and operational functions to support optical multiplex sections. The OMS OH is terminated where the OMU is assembled and disassembled.

The specific frame structure and coding for the OMS OH is outside the scope of this Recommendation. Only the required basic functionality that has to be supported is defined in 15.4.

15.1.6 Optical transmission section overhead (OTS OH)

OTS OH information is added to the information payload to create an OTM. It includes information for maintenance and operational functions to support optical transmission sections. The OTS OH is terminated where the OTM is assembled and disassembled.

The specific frame structure and coding for the OTS OH is outside the scope of this Recommendation. Only the required basic functionality that has to be supported is defined in 15.3.

15.1.7 General management communications overhead (COMMS OH)

COMMS OH information is added to the information payload to create an OTM. It provides general management communication between network elements. The specific frame structure and coding for the COMMS OH is outside the scope of this Recommendation.

15.2 Trail trace identifier and access point identifier definition

A trail trace identifier (TTI) is defined as a 64-byte string with the following structure (Figure 15-4):

- TTI[0] contains the SAPI[0] character, which is fixed to all-0s.
- TTI[1] to TTI[15] contain the 15-character source access point identifier (SAPI[1] to SAPI[15]).
- TTI[16] contains the DAPI[0] character, which is fixed to all-0s.
- TTI[17] to TTI[31] contain the 15-character destination access point identifier (DAPI[1] to DAPI[15]).
- TTI[32] to TTI[63] are operator specific.

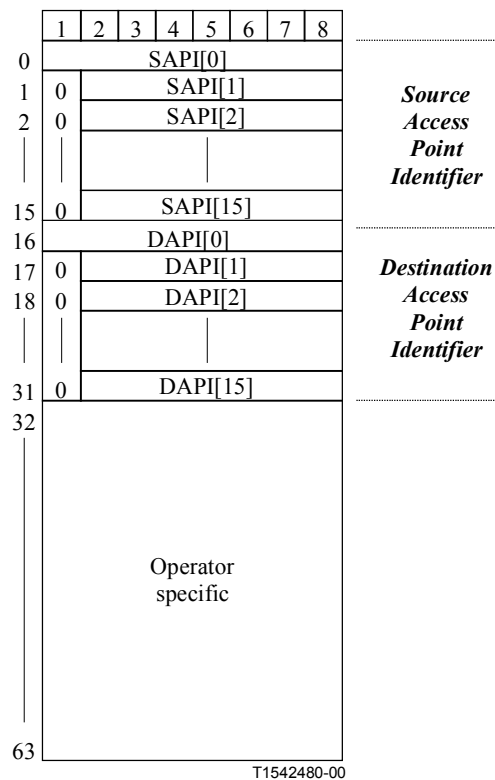


Figure 15-4/G.709/Y.1331 – TTI structure

The features of access point identifiers (APIs) are:

- each access point identifier must be globally unique in its layer network;
- where it may be expected that the access point may be required for path set-up across an inter-operator boundary, the access point identifier must be available to other network operators;
- the access point identifier should not change while the access point remains in existence;
- the access point identifier should be able to identify the country and network operator which is responsible for routing to and from the access point;
- the set of all access point identifiers belonging to a single administrative layer network should form a single access point identification scheme;
- the scheme of access point identifiers for each administrative layer network can be independent from the scheme in any other administrative layer network.

It is recommended that the ODUk, OTUk and OTM should each have the access point identification scheme based on a tree-like format to aid routing control search algorithms. The access point identifier should be globally unambiguous.

The access point identifier (SAPI, DAPI) shall consist of a three-character international segment and a twelve-character national segment (NS) (Figure 15-5). These characters shall be coded according to ITU-T T.50 (International Reference Alphabet – 7-bit coded character set for information exchange).

| IS character # | | | NS character # | | | | | | | | | | | |
|----------------|---|---|----------------|------|---|------|------|------|------|----|------|----|----|----|
| 1 | 2 | 3 | 4 | 5 | 6 | 7 | 8 | 9 | 10 | 11 | 12 | 13 | 14 | 15 |
| CC | | | ICC | UAPC | | | | | | | | | | |
| CC | | | ICC | | | UAPC | | | | | | | | |
| CC | | | ICC | | | | UAPC | | | | | | | |
| CC | | | ICC | | | | | UAPC | | | | | | |
| CC | | | ICC | | | | | | UAPC | | | | | |
| CC | | | ICC | | | | | | | | UAPC | | | |

T1542490-00

Figure 15-5/G.709/Y.1331 – Access point identifier structure

The international segment field provides a three-character ISO 3166 geographic/political country code (G/PCC). The country code shall be based on the three-character uppercase alphabetic ISO 3166 country code (e.g. USA, FRA).

The national segment field consists of two subfields: the ITU carrier code (ICC) followed by a unique access point code (UAPC).

The ITU Carrier Code is a code assigned to a network operator/service provider, maintained by the ITU-T Telecommunication Standardization Bureau (TSB) as per ITU-T M.1400. This code shall consist of 1-6 left-justified characters, alphabetic, or leading alphabetic with trailing numeric.

The unique access point code shall be a matter for the organization to which the country code and ITU carrier code have been assigned, provided that uniqueness is guaranteed. This code shall consist of 6-11 characters, with trailing NUL, completing the 12-character national segment.

15.3 OTS OH description

The following OTM-n OTSn overhead is defined:

- OTSn-TTI;
- OTSn-BDI-P;
- OTSn-BDI-O;
- OTSn-PMI.

15.3.1 OTS trail trace identifier (TTI)

The OTSn-TTI is defined to transport a 64-byte TTI as specified in 15.2 for OTSn section monitoring.

15.3.2 OTS backward defect indication – Payload (BDI-P)

For OTSn section monitoring, the OTSn-BDI-P signal is defined to convey in the upstream direction the OTSn payload signal fail status detected in the OTSn termination sink function.

15.3.3 OTS backward defect indication – Overhead (BDI-O)

For OTSn section monitoring, the OTSn-BDI-O signal is defined to convey in the upstream direction the OTSn overhead signal fail status detected in the OTSn termination sink function.

15.3.4 OTS payload missing indication (PMI)

The OTS PMI is a signal sent downstream as an indication that upstream at the source point of the OTS signal no payload is added, in order to suppress the report of the consequential loss of signal condition.

15.4 OMS OH description

The following OTM-n OMSn overhead is defined:

- OMSn-FDI-P;
- OMSn-FDI-O;
- OMSn-BDI-P;
- OMSn-BDI-O;
- OMSn-PMI.

15.4.1 OMS forward defect indication – Payload (FDI-P)

For OMSn section monitoring, the OMSn-FDI-P signal is defined to convey in the downstream direction the OMSn payload signal status (normal or failed).

15.4.2 OMS forward defect indication – Overhead (FDI-O)

For OMSn section monitoring, the OMSn-FDI-O signal is defined to convey in the downstream direction the OMSn overhead signal status (normal or failed).

15.4.3 OMS backward defect indication – Payload (BDI-P)

For OMSn section monitoring, the OMSn-BDI-P signal is defined to convey in the upstream direction the OMSn payload signal fail status detected in the OMSn termination sink function.

15.4.4 OMS backward defect indication – Overhead (BDI-O)

For OMSn section monitoring, the OMSn-BDI-O signal is defined to convey in the upstream direction the OMSn overhead signal fail status detected in the OMSn termination sink function.

15.4.5 OMS payload missing indication (PMI)

The OMS PMI is a signal sent downstream as an indication that upstream at the source point of the OMS signal none of the OCCps contain an optical channel signal, in order to suppress the report of the consequential loss of signal condition.

15.5 OCh OH description

The following OTM-n OCh overhead is defined:

- OCh-FDI-P;
- OCh-FDI-O;
- OCh-OCI.

15.5.1 OCh forward defect indication – Payload (FDI-P)

For OCh trail monitoring, the OCh-FDI-P signal is defined to convey in the downstream direction the OCh payload signal status (normal or failed).

15.5.2 OCh forward defect indication – Overhead (FDI-O)

For OCh trail monitoring, the OCh-FDI-O signal is defined to convey in the downstream direction the OCh overhead signal status (normal or failed).

15.5.3 OCh open connection indication (OCI)

The OCh OCI is a signal sent downstream as an indication that upstream in a connection function the matrix connection is opened as a result of a management command. The consequential detection of the OCh loss of signal condition at the OCh termination point can now be related to an open matrix.

15.6 OTUk/ODUk frame alignment OH description

15.6.1 OTUk/ODUk frame alignment overhead location

The OTUk/ODUk frame alignment overhead location is shown in Figure 15-6. The OTUk/ODUk frame alignment overhead is applicable for both the OTUk and ODUk signals.

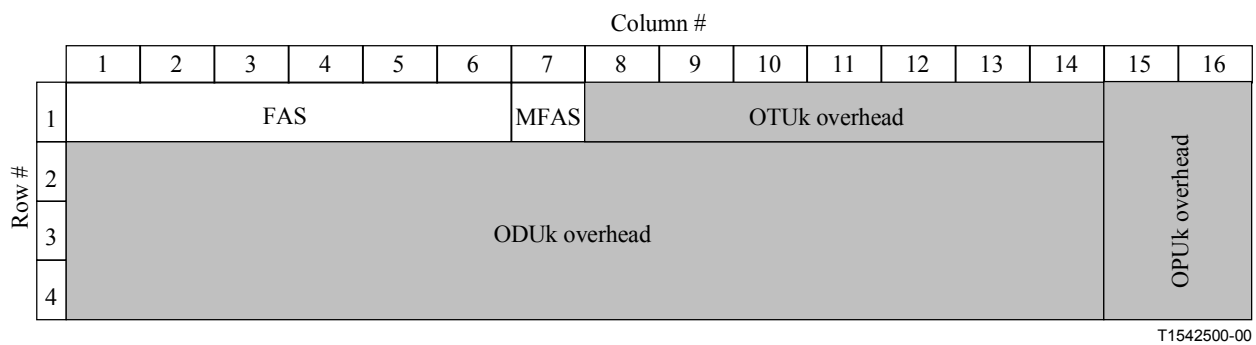


Figure 15-6/G.709/Y.1331 – OTUk/ODUk frame alignment overhead

15.6.2 OTUk/ODUk frame alignment overhead definition

15.6.2.1 Frame alignment signal (FAS)

A six byte OTUk-FAS signal (Figure 15-7) is defined in row 1, columns 1 to 6 of the OTUk overhead. OA1 is "1111 0110". OA2 is "0010 1000".

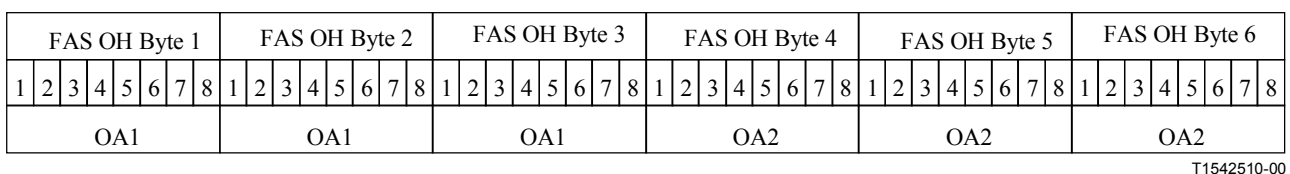


Figure 15-7/G.709/Y.1331 – Frame alignment signal overhead structure

15.6.2.2 Multiframe alignment signal (MFAS)

Some of the OTUk and ODUk overhead signals will span multiple OTUk/ODUk frames. Examples are the TTI and TCM-ACT overhead signals. These and other multiframe structured overhead signals require multiframe alignment processing to be performed, in addition to the OTUk/ODUk frame alignment.

A single multiframe alignment signal (MFAS) byte is defined in row 1, column 7 of the OTUk/ODUk overhead for this purpose (Figure 15-8). The value of the MFAS byte will be incremented each OTUk/ODUk frame and provides as such a 256 frame multiframe.

| MFAS OH Byte | | | | | | | |
|--------------|---|---|---|---|---|---|---|
| 1 | 2 | 3 | 4 | 5 | 6 | 7 | 8 |
| 0 | 0 | 0 | 0 | 0 | 0 | 0 | 0 |
| 0 | 0 | 0 | 0 | 0 | 0 | 0 | 1 |
| 0 | 0 | 0 | 0 | 0 | 0 | 1 | 0 |
| 0 | 0 | 0 | 0 | 0 | 0 | 1 | 1 |
| 0 | 0 | 0 | 0 | 0 | 1 | 0 | 0 |
| ⋮ | | | | | | | |
| 1 | 1 | 1 | 1 | 1 | 1 | 1 | 0 |
| 1 | 1 | 1 | 1 | 1 | 1 | 1 | 1 |
| 0 | 0 | 0 | 0 | 0 | 0 | 0 | 0 |
| 0 | 0 | 0 | 0 | 0 | 0 | 0 | 1 |
| ⋮ | | | | | | | |

MFAS sequence

T1542520-00

Figure 15-8/G.709/Y.1331 – Multiframe alignment signal overhead

Individual OTUk/ODUk overhead signals may use this central multiframe to lock their 2-frame, 4-frame, 8-frame, 16-frame, 32-frame, etc. multiframe to the principal frame.

15.7 OTUk OH description

15.7.1 OTUk overhead location

The OTUk overhead location is shown in Figures 15-9 and 15-10.

| | | Column # | | | | | | | | | | | | | | | | | |
|-------|---|--------------------------|---|---|---|---|---|---|----|---|----|------|----|-----|----|---------------|----|--|--|
| | | 1 | 2 | 3 | 4 | 5 | 6 | 7 | 8 | 9 | 10 | 11 | 12 | 13 | 14 | 15 | 16 | | |
| Row # | 1 | Frame alignment overhead | | | | | | | SM | | | GCC0 | | RES | | OPUk overhead | | | |
| | 2 | ODUk overhead | | | | | | | | | | | | | | | | | |
| | 3 | | | | | | | | | | | | | | | | | | |
| | 4 | | | | | | | | | | | | | | | | | | |

T1542530-00

Figure 15-9/G.709/Y.1331 – OTUk overhead

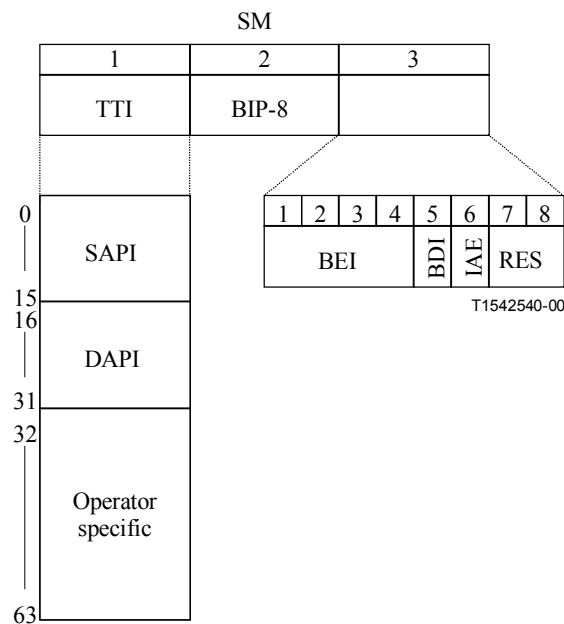


Figure 15-10/G.709/Y.1331 – OTUK section monitoring overhead

15.7.2 OTUK overhead definition

15.7.2.1 OTUK section monitoring (SM) overhead

One field of OTUK section monitoring (SM) overhead is defined in row 1, columns 8 to 10 to support section monitoring.

The SM field contains the following subfields (Figure 15-10):

- trail trace identifier (TTI);
- bit interleaved parity (BIP-8);
- backward defect indication (BDI);
- backward error indication (BEI);
- incoming alignment error (IAE);
- bits reserved for future international standardization (RES).

15.7.2.1.1 OTUK SM trail trace identifier (TTI)

For section monitoring, a one-byte trail trace identifier (TTI) overhead is defined to transport the 64-byte TTI signal specified in 15.2.

The 64-byte TTI signal shall be aligned with the OTUK multiframe (see 15.6.2.2) and transmitted four times per multiframe. Byte 0 of the 64-byte TTI signal shall be present at OTUK multiframe positions 0000 0000 (0x00), 0100 0000 (0x40), 1000 0000 (0x80) and 1100 0000 (0xC0).

15.7.2.1.2 OTUK SM error detection code (BIP-8)

For section monitoring, a one-byte error detection code signal is defined. This byte provides a bit interleaved parity-8 (BIP-8) code.

NOTE – The notation *BIP-8* refers only to the number of BIP bits and not to the EDC usage (i.e. what quantities are counted).

The OTUK BIP-8 is computed over the bits in the OPUk (columns 15 to 3824) area of OTUK frame *i*, and inserted in the OTUK BIP-8 overhead location in OTUK frame *i+2* (Figure 15-11).

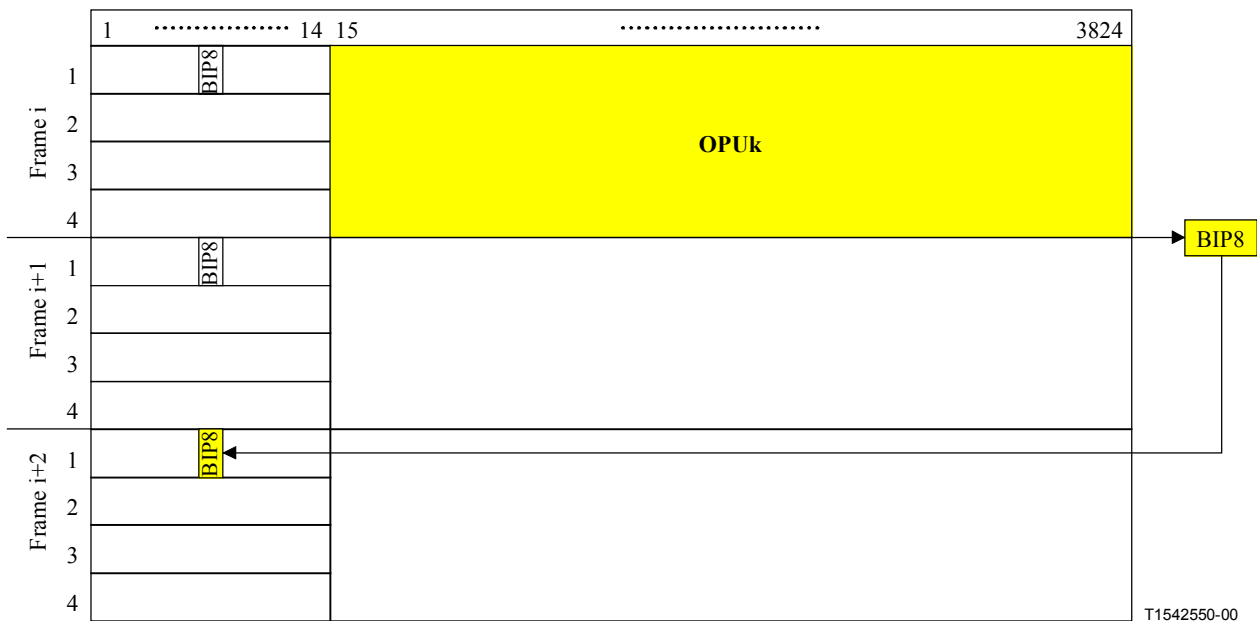


Figure 15-11/G.709/Y.1331 – OTUk SM BIP-8 computation

15.7.2.1.3 OTUk SM backward defect indication (BDI)

For section monitoring, a single-bit backward defect indication (BDI) signal is defined to convey the signal fail status detected in a section termination sink function in the upstream direction.

BDI is set to "1" to indicate an OTUk backward defect indication, otherwise it is set to "0".

15.7.2.1.4 OTUk SM backward error indication (BEI)

For section monitoring, a four-bit backward error indication (BEI) signal is defined to convey in the upstream direction the count of interleaved-bit blocks that have been detected in error by the corresponding OTUk section monitoring sink using the BIP-8 code. This count has nine legal values, namely 0-8 errors. The remaining seven possible values represented by these four bits can only result from some unrelated condition and shall be interpreted as zero errors (Table 15-1).

Table 15-1/G.709/Y.1331 – OTUk SM BEI interpretation

| OTUk SM BEI bits 1234 | BIP violations |
|--------------------------|----------------|
| 0000 | 0 |
| 0001 | 1 |
| 0010 | 2 |
| 0011 | 3 |
| 0100 | 4 |
| 0101 | 5 |
| 0110 | 6 |
| 0111 | 7 |
| 1000 | 8 |
| 1001 to 1111 | 0 |

15.7.2.1.5 OTUk SM incoming alignment error overhead (IAE)

A single-bit incoming alignment error (IAE) signal is defined to allow the S-CMEP ingress point to inform its peer S-CMEP egress point that an alignment error in the incoming signal has been detected.

IAE is set to "1" to indicate a frame alignment error, otherwise it is set to "0".

The S-CMEP egress point may use this information to suppress the counting of bit errors, which may occur as a result of a frame phase change of the OTUk at the ingress of the section.

15.7.2.1.6 OTUk SM reserved overhead (RES)

For section monitoring, two bits are reserved (RES) for future international standardization. They are set to "00".

15.7.2.2 OTUk general communication channel 0 (GCC0)

Two bytes are allocated in the OTUk Overhead to support a general communications channel between OTUk termination points. This is a clear channel and any format specification is outside of the scope of this Recommendation. These bytes are located in row 1, columns 11 and 12 of the OTUk overhead.

15.7.2.3 OTUk reserved overhead (RES)

Two bytes of OTUk overhead are reserved for future international standardization. These bytes are located in row 1, columns 13 and 14. These bytes are set to all ZEROS.

15.7.3 OTUkV overhead

The functionally standardized OTUkV frame should support, as a minimum capability, section monitoring functionality comparable to the OTUk section monitoring (15.7.2.1) with a trail trace identifier as specified in 15.2. Further specification of this overhead is outside the scope of this Recommendation.

15.8 ODUk OH description

15.8.1 ODUk OH location

The ODUk overhead location is shown in Figures 15-12, 15-13 and 15-14.

| | | Column # | | | | | | | | | | | | | | | |
|-------|---|--------------------------|---|------|---------|---------|---|------|---------------|-----|----|------|-----|------|----|---------------|----|
| | | 1 | 2 | 3 | 4 | 5 | 6 | 7 | 8 | 9 | 10 | 11 | 12 | 13 | 14 | 15 | 16 |
| Row # | 1 | Frame alignment overhead | | | | | | | OTUk overhead | | | | | | | OPUk overhead | |
| | 2 | RES | | | TCM ACT | TCM6 | | | TCM5 | | | TCM4 | | FTFL | | | |
| | 3 | TCM3 | | | TCM2 | | | TCM1 | | | PM | | EXP | | | | |
| | 4 | GCC1 | | GCC2 | | APS/PCC | | | | RES | | | | | | | |

T1543810-01

Figure 15-12/G.709/Y.1331 – ODUk overhead

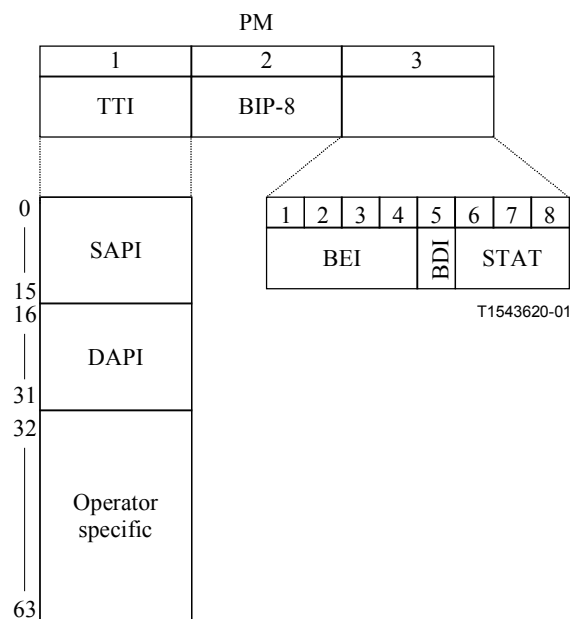


Figure 15-13/G.709/Y.1331 – ODUk path monitoring overhead

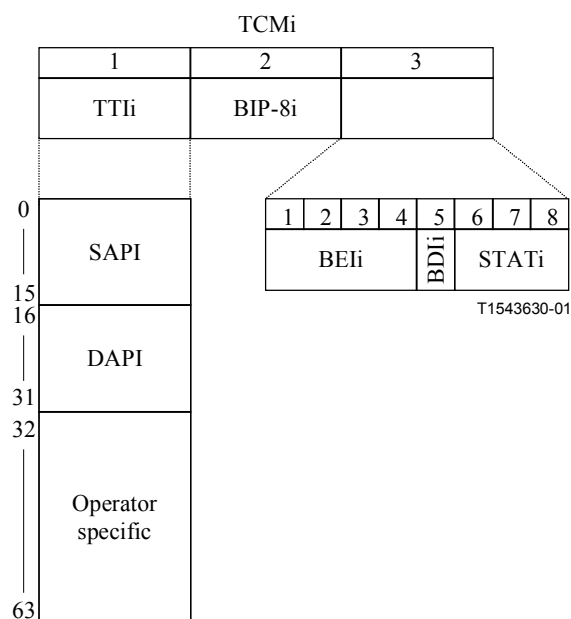


Figure 15-14/G.709/Y.1331 – ODUk tandem connection monitoring #i overhead

15.8.2 ODUk OH definition

15.8.2.1 ODUk path monitoring (PM) overhead

One field of ODUk path monitoring overhead (PM) is defined in row 3, columns 10 to 12 to support path monitoring.

The PM field contains the following subfields (Figure 15-13):

- trail trace identifier (TTI);
- bit interleaved parity (BIP-8);

- backward defect indication (BDI);
- backward error indication (BEI);
- status bits indicating the presence of a maintenance signal (STAT).

The content of the PM field, except the STAT subfield, will be undefined (pattern will be all-1s, 0110 0110 or 0101 0101 repeating) during the presence of a maintenance signal (e.g. ODUk-AIS, ODUk-OCI, ODUk-LCK). Refer to 16.5.

15.8.2.1.1 ODUk PM trail trace identifier (TTI)

For path monitoring, a one-byte trail trace identifier (TTI) overhead is defined to transport the 64-byte TTI signal specified in 15.2.

The 64-byte TTI signal shall be aligned with the ODUk multiframe (see 15.6.2.2) and transmitted four times per multiframe. Byte 0 of the 64-byte TTI signal shall be present at ODUk multiframe positions 0000 0000 (0x00), 0100 0000 (0x40), 1000 0000 (0x80) and 1100 0000 (0xC0).

15.8.2.1.2 ODUk PM error detection code (BIP-8)

For path monitoring, a one-byte error detection code signal is defined. This byte provides a bit interleaved parity-8 (BIP-8) code.

NOTE – The notation *BIP-8* refers only to the number of BIP bits and not to the EDC usage (i.e. what quantities are counted).

Each ODUk BIP-8 is computed over the bits in the OPUk (columns 15 to 3824) area of ODUk frame *i*, and inserted in the ODUk PM BIP-8 overhead location in the ODUk frame *i+2* (Figure 15-15).

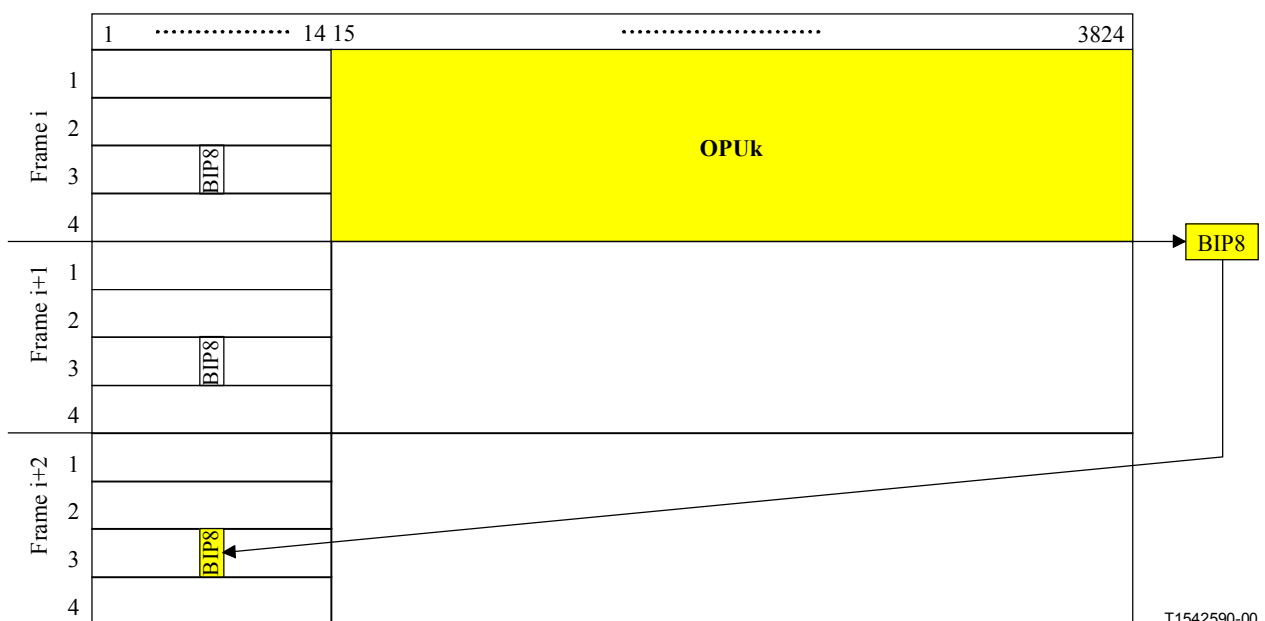


Figure 15-15/G.709/Y.1331 – ODUk PM BIP-8 computation

15.8.2.1.3 ODUk PM backward defect indication (BDI)

For path monitoring, a single-bit backward defect indication (BDI) signal is defined to convey the signal fail status detected in a path termination sink function in the upstream direction.

BDI is set to "1" to indicate an ODUk backward defect indication, otherwise it is set to "0".

15.8.2.1.4 ODUk PM backward error indication (BEI)

For path monitoring, a four-bit backward error indication (BEI) signal is defined to convey in the upstream direction the count of interleaved-bit blocks that have been detected in error by the corresponding ODUk path monitoring sink using the BIP-8 code. This count has nine legal values, namely 0-8 errors. The remaining seven possible values represented by these four bits can only result from some unrelated condition and shall be interpreted as zero errors (Table 15-2).

Table 15-2/G.709/Y.1331 – ODUk PM BEI interpretation

| ODUk PM BEI bits 1234 | BIP violations |
|--------------------------------------|-----------------------|
| 0000 | 0 |
| 0001 | 1 |
| 0010 | 2 |
| 0011 | 3 |
| 0100 | 4 |
| 0101 | 5 |
| 0110 | 6 |
| 0111 | 7 |
| 1000 | 8 |
| 1001 to 1111 | 0 |

15.8.2.1.5 ODUk PM status (STAT)

For path monitoring, three bits are defined as status bits (STAT). They indicate the presence of a maintenance signal (Table 15-3).

A P-CMEP sets these bits to "001".

Table 15-3/G.709/Y.1331 – ODUk PM status interpretation

| PM byte 3, bits 678 | Status |
|------------------------------------|---|
| 000 | Reserved for future international standardization |
| 001 | Normal path signal |
| 010 | Reserved for future international standardization |
| 011 | Reserved for future international standardization |
| 100 | Reserved for future international standardization |
| 101 | Maintenance signal: ODUk-LCK |
| 110 | Maintenance signal: ODUk-OCI |
| 111 | Maintenance signal: ODUk-AIS |

15.8.2.2 ODUk tandem connection monitoring (TCM) overhead

Six fields of ODUk tandem connection monitoring (TCM) overhead are defined in row 2, columns 5 to 13 and row 3, columns 1 to 9 of the ODUk overhead. TCM supports monitoring of ODUk

connections for one or more of the following network applications (refer to ITU-T G.805 and ITU-T G.872):

- optical UNI to UNI tandem connection monitoring; monitoring the ODUk connection through the public transport network (from public network ingress network termination to egress network termination);
- optical NNI to NNI tandem connection monitoring; monitoring the ODUk connection through the network of a network operator (from operator network ingress network termination to egress network termination);
- sublayer monitoring for linear 1+1, 1:1 and 1:n optical channel subnetwork connection protection switching, to determine the signal fail and signal degrade conditions;
- sublayer monitoring for optical channel shared protection ring (SPRing) protection switching, to determine the signal fail and signal degrade conditions;
- monitoring an optical channel tandem connection for the purpose of detecting a signal fail or signal degrade condition in a switched optical channel connection, to initiate automatic restoration of the connection during fault and error conditions in the network;
- monitoring an optical channel tandem connection for, e.g., fault localization or verification of delivered quality of service.

The six TCM fields are numbered TCM1, TCM2, ..., TCM6.

Each TCM field contains the following subfields (Figure 15-14):

- trail trace identifier (TTI);
- bit interleaved parity 8 (BIP-8);
- backward defect indication (BDI);
- backward error indication (BEI);
- status bits indicating the presence of TCM overhead, incoming alignment error, or a maintenance signal (STAT).

The content of the TCM fields, except the STAT subfield, will be undefined (pattern will be all-1s, 0110 0110 or 0101 0101 repeating) during the presence of a maintenance signal (e.g. ODUk-AIS, ODUk-OCI, ODUk-LCK). Refer to 16.5.

A TCM field is assigned to a monitored connection as described in 15.8.2.2.6. The number of monitored connections along an ODUk trail may vary between 0 and 6. Monitored connections can be nested, overlapping and/or cascaded. Nesting and cascading is shown in Figure 15-16. Monitored connections A1-A2/B1-B2/C1-C2 and A1-A2/B3-B4 are nested, while B1-B2/B3-B4 are cascaded.

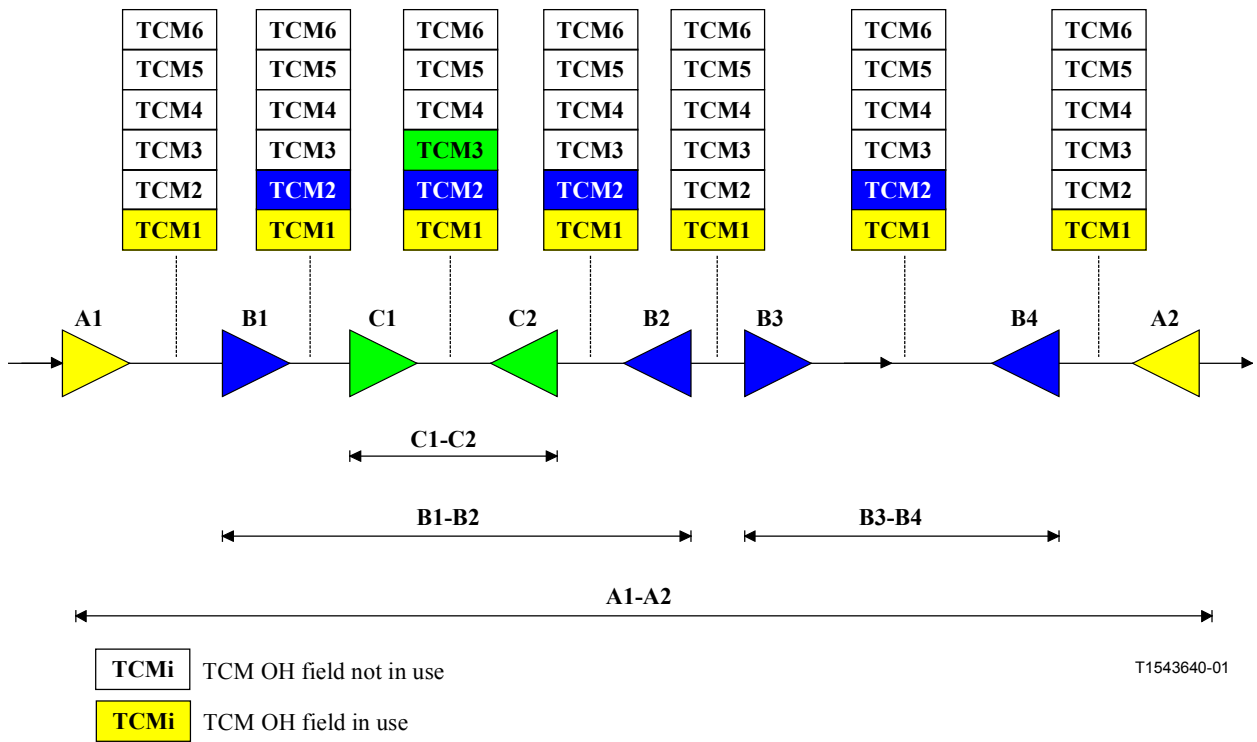


Figure 15-16/G.709/Y.1331 – Example of nested and cascaded ODUk monitored connections

Overlapping monitored connections as shown in Figure 15-17 (B1-B2 and C1-C2) are also supported.

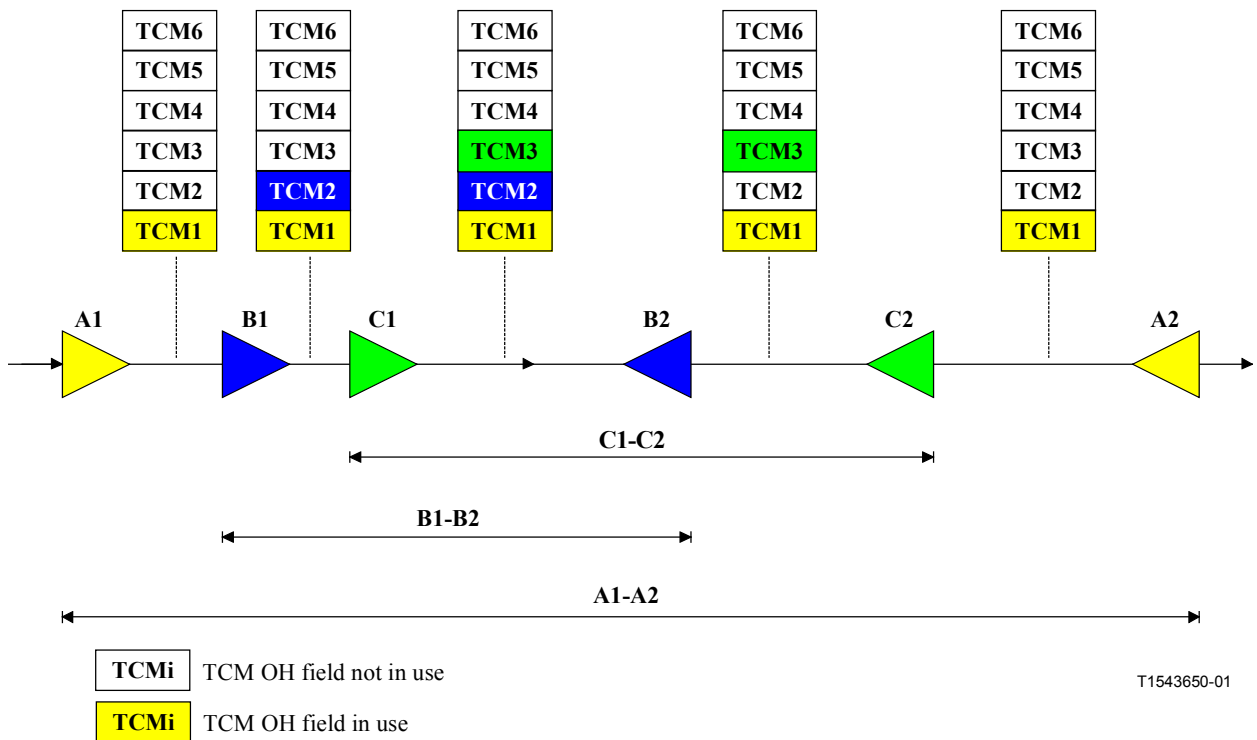


Figure 15-17/G.709/Y.1331 – Example of overlapping ODUk monitored connections

15.8.2.2.1 ODUk TCM trail trace identifier (TTI)

For each tandem connection monitoring field, one byte of overhead is allocated for the transport of the 64-byte trail trace identifier (TTI) specified in 15.2.

The 64-byte TTI signal shall be aligned with the ODUk multiframe (see 15.6.2.2) and transmitted four times per multiframe. Byte 0 of the 64-byte TTI signal shall be present at ODUk multiframe positions 0000 0000 (0x00), 0100 0000 (0x40), 1000 0000 (0x80) and 1100 0000 (0xC0).

15.8.2.2.2 ODUk TCM error detection code (BIP-8)

For each tandem connection monitoring field, a one-byte error detection code signal is defined. This byte provides a bit interleaved parity-8 (BIP-8) code.

NOTE – The notation *BIP-8* refers only to the number of BIP bits, and not to the EDC usage (i.e. what quantities are counted).

Each ODUk BIP-8 is computed over the bits in the OPUk (columns 15 to 3824) area of ODUk frame *i*, and inserted in the ODUk TCM BIP-8 overhead location (associated with the tandem connection monitoring level) in ODUk frame *i+2* (Figure 15-18).

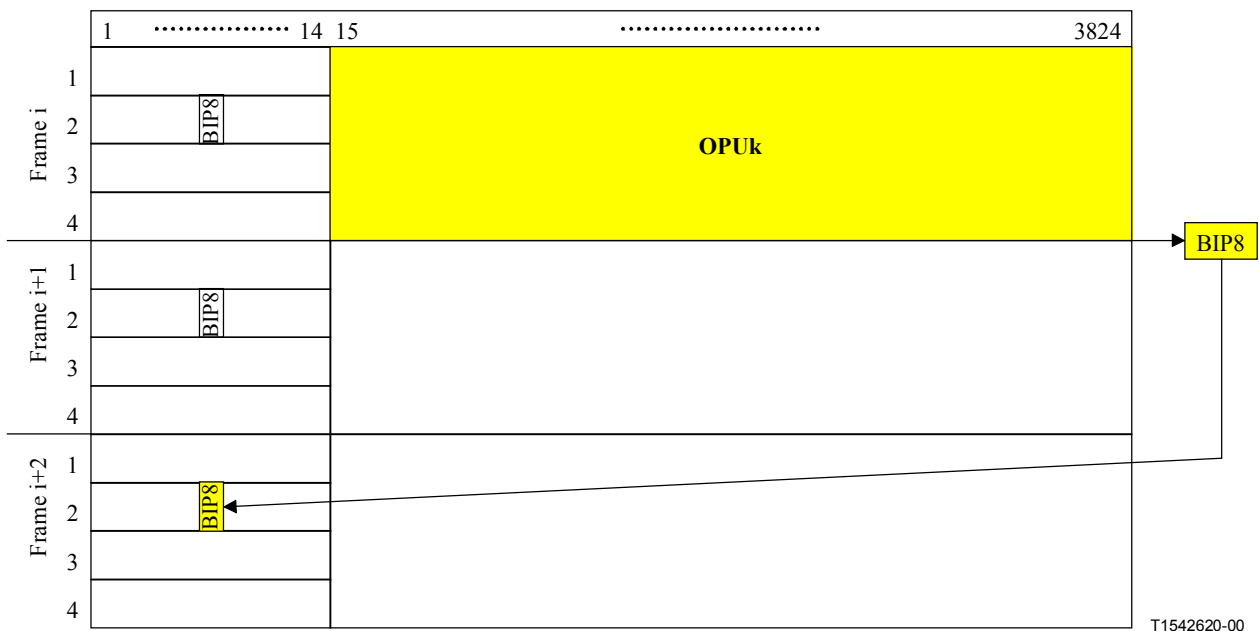


Figure 15-18/G.709/Y.1331 – ODUk TCM BIP-8 computation

15.8.2.2.3 ODUk TCM backward defect indication (BDI)

For each tandem connection monitoring field, a single-bit backward defect indication (BDI) signal is defined to convey the signal fail status detected in a tandem connection termination sink function in the upstream direction.

BDI is set to "1" to indicate an ODUk backward defect indication, otherwise it is set to "0".

15.8.2.2.4 ODUk TCM backward error indication (BEI)

For each tandem connection monitoring field, a 4-bit backward error indication (BEI) signal is defined to convey in the upstream direction the count of interleaved-bit blocks that have been detected as being in error by the corresponding ODUk tandem connection monitoring sink using the BIP-8 code. This count has nine legal values, namely 0-8 errors. The remaining seven possible

values represented by these four bits can only result from some unrelated condition and shall be interpreted as zero errors (Table 15-4).

Table 15-4/G.709/Y.1331 – ODUk TCM BEI interpretation

| ODUk TCM BEI bits 1234 | BIP violations |
|-------------------------------|-----------------------|
| 0000 | 0 |
| 0001 | 1 |
| 0010 | 2 |
| 0011 | 3 |
| 0100 | 4 |
| 0101 | 5 |
| 0110 | 6 |
| 0111 | 7 |
| 1000 | 8 |
| 1001 to 1111 | 0 |

15.8.2.2.5 ODUk TCM status (STAT)

For each tandem connection monitoring field three bits are defined as status bits (STAT). They indicate the presence of a maintenance signal, if there is an incoming alignment error at the source TC-CMEP, or if there is no source TC-CMEP active (Table 15-5).

Table 15-5/G.709/Y.1331 – ODUk TCM status interpretation

| TCM byte 3, bits 678 | Status |
|-----------------------------|---|
| 000 | No source TC |
| 001 | In use without IAE |
| 010 | In use with IAE |
| 011 | Reserved for future international standardization |
| 100 | Reserved for future international standardization |
| 101 | Maintenance signal: ODUk-LCK |
| 110 | Maintenance signal: ODUk-OCI |
| 111 | Maintenance signal: ODUk-AIS |

A P-CMEP sets these bits to "000".

A TC-CMEP ingress point sets these bits to either "001" to indicate to its peer TC-CMEP egress point that there is no incoming alignment error (IAE), or to "010" to indicate that there is an incoming alignment error.

The TC-CMEP egress point may use this information to suppress the counting of bit errors, which may occur as a result of a frame phase change of the ODUk at the ingress of the tandem connection.

15.8.2.2.6 TCM overhead field assignment

Each TC-CMEP will be inserting/extracting its TCM overhead from one of the 6 TCM_i overhead fields. The specific TCM_i overhead field is provisioned by the network operator, network management system or switching control plane.

At a domain interface, it is possible to provision the maximum number (0 to 6) of tandem connection levels which will be passed through the domain. The default is three. These tandem connections should use the lower TCM_i overhead fields TCM₁...TCM_{MAX}. Overhead in TCM fields beyond the maximum (TCM_{max+1} and above) may/will be overwritten in the domain.

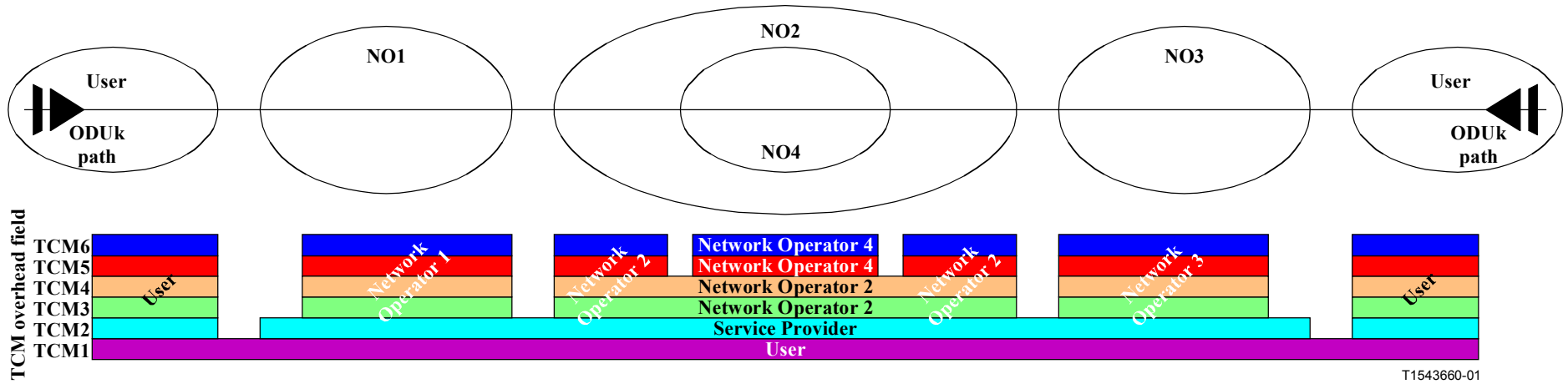
Example

For the case of a ODUk leased circuit, the user may have been assigned one level of TCM, the Service Provider one level of TCM and each network operator (having a contract with the service provider) four levels of TCM. For the case a network operator subcontracts part of its ODUk connection to another network operator, these four levels are to be split; e.g. two levels for the subcontracting operator.

This would result in the following TCM OH allocation:

- User: TCM1 overhead field between the two user subnetworks, and TCM1..TCM6 within its own subnetwork.
- Service provider (SP): TCM2 overhead field between two UNIs
- Network operators NO1, NO2, NO3 having contract with service provider: TCM3, TCM4, TCM5, TCM6. Note that NO2 (which is subcontracting) cannot use TCM5 and TCM6 in the connection through the domain of NO4.
- NO4 (having subcontract with NO2): TCM5, TCM6.

See Figure 15-19.



T1543660-01

Figure 15-19/G.709/Y.1331 –Example of TCM overhead field assignment

15.8.2.2.7 ODUk tandem connection monitoring activation/deactivation coordination protocol

A one-byte TCM activation/deactivation field is located in row 2, column 4. Its definition is for further study.

15.8.2.3 ODUk general communication channels (GCC1, GCC2)

Two fields of two bytes are allocated in the ODUk overhead to support two general communications channels between any two network elements with access to the ODUk frame structure (i.e. at 3R regeneration points). These are clear channels and any format specification is outside of the scope of this Recommendation. The bytes for GCC1 are located in row 4, columns 1 and 2, and the bytes for GCC2 are located in bytes row 4, columns 3 and 4 of the ODUk overhead.

15.8.2.4 ODUk automatic protection switching and protection communication channel (APS/PCC)

A four-byte ODUk-APS/PCC signal is defined in row 4, columns 5 to 8 of the ODUk overhead. One or more levels of nested APS/PCC signals may be defined in this field. This is for further study.

15.8.2.5 ODUk fault type and fault location reporting communication channel (FTFL)

One byte is allocated in the ODUk overhead to transport a 256-byte fault type and fault location (FTFL) message. The byte is located in row 2, column 14 of the ODUk overhead.

The 256-byte FTFL message shall be aligned with the ODUk multiframe (i.e. byte 0 of the 256-byte FTFL message shall be present at ODUk multiframe position 0000 0000, byte 1 of the 256-byte FTFL message shall be present at ODUk multiframe position 0000 0001, byte 2 of the 256-byte FTFL message shall be present at ODUk multiframe position 0000 0010, etc.).

The 256-byte FTFL message consists of two 128-byte fields as shown in Figure 15-20: the forward and backward fields. The forward field is allocated to bytes 0 through 127 of the FTFL message. The backward field is allocated to bytes 128 through 255 of the FTFL message.

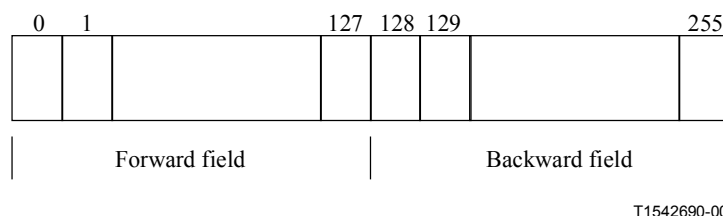


Figure 15-20/G.709/Y.1331 – FTFL message structure

The forward and backward fields are further divided into three subfields as shown in Figure 15-21: the forward/backward fault type indication field, the forward/backward operator identifier field, and the forward/backward operator specific field.

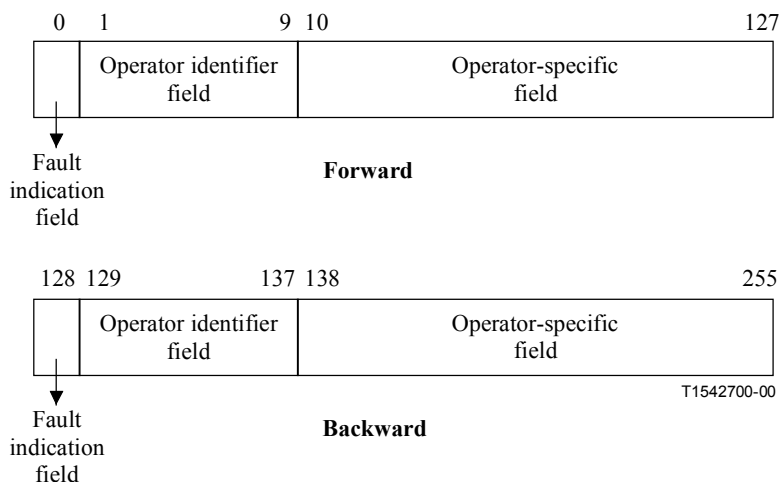


Figure 15-21/G.709/Y.1331 – Forward/backward field structure

15.8.2.5.1 Forward/backward fault type indication field

The fault type indication field provides the fault status. Byte 0 of the FTFM message is allocated for the forward fault type indication field. Byte 128 of the FTFM message is allocated for the backward fault type indication field. The fault type indication fields are coded as in Table 15-6. Code 0000 0000 shall indicate no fault, code 0000 0001 shall indicate signal fail, and code 0000 0010 shall indicate signal degrade. The remaining codes are reserved for future international standardization.

Table 15-6/G.709/Y.1331 – Fault indication codes

| Fault indication code | Definition |
|---------------------------------------|---|
| 0000 0000 | No Fault |
| 0000 0001 | Signal Fail |
| 0000 0010 | Signal Degrade |
| 0000 0011 . . . 1111 1111 | Reserved for future international Standardization |

15.8.2.5.2 Forward/backward operator identifier field

The operator identifier field is 9 bytes. Bytes 1 through 9 are allocated for the forward operator identifier field. Bytes 129 through 137 are allocated for the backward operator identifier field. The operator identifier field consists of two subfields: the international segment field, and the national segment field as shown in Figure 15-22.

| | | | | | | | | | |
|-----------------------------------|-----|-----|------------------------------|-------------|-------------|-------------|-------------|-------------|-----|
| Byte allocation in backward field | 129 | 130 | 131 | 132 | 133 | 134 | 135 | 136 | 137 |
| Byte allocation in forward field | 1 | 2 | 3 | 4 | 5 | 6 | 7 | 8 | 9 |
| Country code | | | National segment code | | | | | | |
| G/PCC | | | ICC | NUL padding | | | | | |
| G/PCC | | | ICC | | NUL padding | | | | |
| G/PCC | | | ICC | | | NUL padding | | | |
| G/PCC | | | ICC | | | | NUL padding | | |
| G/PCC | | | ICC | | | | | NUL padding | |
| G/PCC | | | ICC | | | | | | |
| NUL | | | | | | | | | |

T1542710-00

Figure 15-22/G.709/Y.1331 – Operator identifier field structure

The international segment field provides a three-character ISO 3166 geographic/political country code (G/PCC). The first three bytes of the 9-byte operator identifier field (i.e. bytes 1 through 3 for the forward operator identifier field and bytes 129 through 131 for the backward operator identifier field) are reserved for the international segment field. The country code shall be based on the three-character uppercase alphabetic ISO 3166 country code (e.g. USA, FRA).

The national segment field provides a 1-6 character ITU carrier code (ICC). The ICC is maintained by the ITU-T Telecommunication Standardization Bureau (TSB) as per ITU-T M.1400. The national segment field is 6 bytes and provides a 1-6 character ITU carrier code (ICC) with trailing null characters to complete the 6-character field.

15.8.2.5.3 Forward/backward operator specific field

Bytes 10 through 127 are allocated for the forward operator specific field as shown in Figure 15-21. Bytes 138 through 255 are allocated for the backward operator specific field. The operator specific fields are not subject to standardization.

15.8.2.6 ODUk experimental overhead (EXP)

Two bytes are allocated in the ODUk overhead for experimental use. These bytes are located in row 3, columns 13 and 14 of the ODUk overhead.

The use of these bytes is not subject to standardization and outside the scope of this Recommendation.

Experimental overhead is provided in the ODUk OH to allow a vendor and/or a network operator within their own (sub)network to support an application, which requires additional ODUk overhead.

There is no requirement to forward the EXP overhead beyond the (sub)network; i.e., the operational span of the EXP overhead is limited to the (sub)network with the vendor's equipment, or the network of the operator.

15.8.2.7 ODUk reserved overhead (RES)

Nine bytes are reserved in the ODUk overhead for future international standardization. These bytes are located in row 2, columns 1 to 3 and row 4, columns 9 to 14 of the ODUk overhead. These bytes are set to all ZEROS.

15.9 OPUk OH description

15.9.1 OPUk OH location

The OPUk overhead consists of: payload structure identifier (PSI) including the payload type (PT), and overhead (e.g. justification control and opportunity bits) associated with the mapping of client signals into the OPUk payload. The OPUk PSI and PT overhead locations are shown in Figure 15-23.

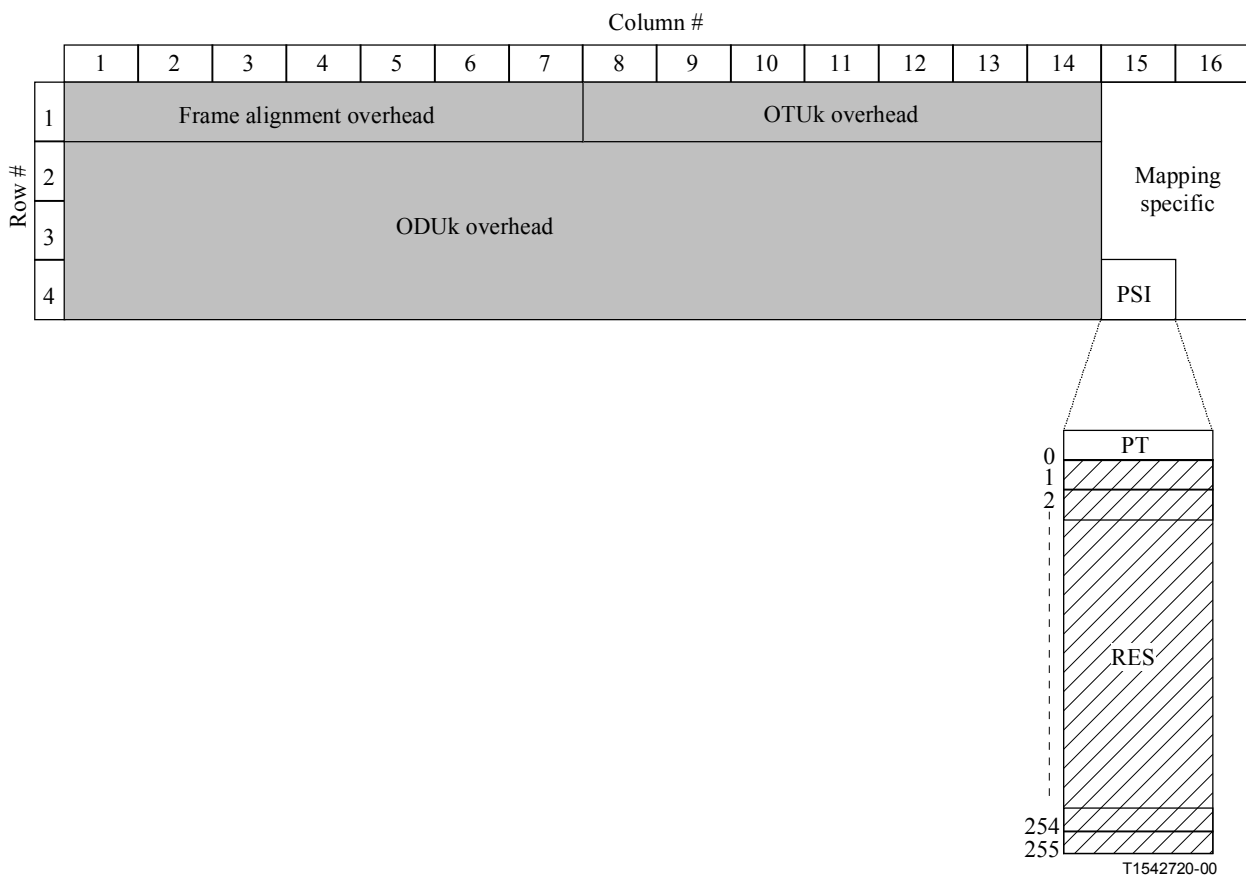


Figure 15-23/G.709/Y.1331 – OPUk overhead

15.9.2 OPUk OH definition

15.9.2.1 OPUk payload structure identifier (PSI)

One byte is allocated in the OPUk overhead to transport a 256-byte payload structure identifier (PSI) signal. The byte is located in row 4, column 15 of the OPUk overhead.

The 256-byte PSI signal is aligned with the ODUk multiframe (i.e. PSI[0] is present at ODUk multiframe position 0000 0000, PSI[1] at position 0000 0001, PSI[2] at position 0000 0010, etc.).

PSI[0] contains a one-byte Payload type. PSI[1] to PSI[255] are reserved for future international standardization (RES), except for PT 0x01 (experimental mapping) and PTs 80-0x8F (for proprietary use).

15.9.2.1.1 OPUk payload type (PT)

A one-byte payload type signal is defined in the PSI[0] byte of the payload structure identifier to indicate the composition of the OPUk signal. The code points are defined in Table 15-7.

Table 15-7/G.709/Y.1331 – Payload type code points

| MSB 1 2 3 4 | LSB 5 6 7 8 | Hex code (Note 1) | Interpretation |
|------------------------|------------------------|------------------------------|---|
| 0 0 0 0 | 0 0 0 1 | 01 | Experimental mapping (Note 3) |
| 0 0 0 0 | 0 0 1 0 | 02 | Asynchronous CBR mapping, see 17.1 |
| 0 0 0 0 | 0 0 1 1 | 03 | Bit synchronous CBR mapping, see 17.1 |
| 0 0 0 0 | 0 1 0 0 | 04 | ATM mapping, see 17.2 |
| 0 0 0 0 | 0 1 0 1 | 05 | GFP mapping, see 17.3 |
| 0 0 0 1 | 0 0 0 0 | 10 | Bit stream with octet timing mapping, see 17.5.1 |
| 0 0 0 1 | 0 0 0 1 | 11 | Bit stream without octet timing mapping, see 17.5.2 |
| 0 1 0 1 | 0 1 0 1 | 55 | Not available (Note 2) |
| 0 1 1 0 | 0 1 1 0 | 66 | Not available (Note 2) |
| 1 0 0 0 | x x x x | 80-8F | Reserved codes for proprietary use (Note 4) |
| 1 1 1 1 | 1 1 0 1 | FD | NULL test signal mapping, see 17.4.1 |
| 1 1 1 1 | 1 1 1 0 | FE | PRBS test signal mapping, see 17.4.2 |
| 1 1 1 1 | 1 1 1 1 | FF | Not available (Note 2) |

NOTE 1 – There are 228 spare codes left for future international standardization.

NOTE 2 – These values are excluded from the set of available code points. These bit patterns are present in ODUk maintenance signals.

NOTE 3 – Value "01" is only to be used in cases where a mapping code is not defined in this table. By using this code, the development (experimental) activities do not impact the OTN network. There is no forward compatibility if a specific payload type is assigned later. If a new code is assigned, equipment using this code shall be reconfigured to use the new code.

NOTE 4 – These 16-code values will not be subject to standardization.

15.9.2.1.2 OPUk payload structure identifier reserved overhead (RES)

255 bytes are reserved in the OPUk PSI for future international standardization, except for the case of PT codes 0x01, 0x80-0x8F. These bytes are located in PSI[1] to [PSI255] of the OPUk overhead. These bytes are set to all ZEROS.

15.9.2.2 OPUk mapping specific overhead

Seven bytes are reserved in the OPUk overhead for mapping specific overhead. These bytes are located in rows 1 to 3, columns 15 and 16 and column 16 row 4.

The use of these bytes depends on the specific client signal mapping (defined in clause 17).

16 Maintenance signals

An alarm indication signal (AIS) is a signal sent downstream as an indication that an upstream defect has been detected. An AIS signal is generated in an adaptation sink function. An AIS signal is detected in a trail termination sink function to suppress defects or failures that would otherwise be detected as a consequence of the interruption of the transport of the original signal at an upstream point.

A forward defect indication (FDI) is a signal sent downstream as an indication that an upstream defect has been detected. An FDI signal is generated in an adaptation sink function. An FDI signal is detected in a trail termination sink function to suppress defects or failures that would otherwise be detected as a consequence of the interruption of the transport of the original signal at an upstream point.

NOTE – AIS and FDI are similar signals. AIS is used as term when the signal is in the digital domain. FDI is used as the term when the signal is in the optical domain; FDI is transported as non-associated overhead in the OTM overhead signal (OOS).

An open connection indication (OCI) is a signal sent downstream as an indication that upstream the signal is not connected to a trail termination source. An OCI signal is generated in a connection function and output by this connection function on each of its output connection points, which are not connected to one of its input connection points. An OCI signal is detected in a trail termination sink function.

A locked (LCK) is a signal sent downstream as an indication that upstream the connection is "locked", and no signal is passed through.

A payload missing indication (PMI) is a signal sent downstream as an indication that upstream at the source point of the signal, either none of the tributary slots have an optical signal or an optical signal with no payload. This indicates that the transport of the optical tributary signal is interrupted.

A PMI signal is generated in the adaptation source function and it is detected in the trail termination sink function which suppresses the LOS defect that arises under this condition.

16.1 OTS maintenance signals

16.1.1 OTS payload missing indication (OTS-PMI)

OTS-PMI is generated as an indication that the OTS payload does not contain an optical signal.

16.2 OMS maintenance signals

Three OMS maintenance signals are defined: OMS-FDI-P, OMS-FDI-O and OMS-PMI.

16.2.1 OMS forward defect indication – Payload (OMS-FDI-P)

OMS-FDI-P is generated as an indication of an OMS server layer defect in the OTS network layer.

16.2.2 OMS forward defect indication – Overhead (OMS-FDI-O)

OMS-FDI-O is generated as an indication when the transport of OMS OH via the OOS is interrupted due to a signal fail condition in the OOS.

16.2.3 OMS payload missing indication (OMS-PMI)

OMS-PMI is generated as an indication when none of the OCCs contain an optical signal.

16.3 OCh maintenance signals

Three OCh maintenance signals are defined: OCh-FDI-P, OCh-FDI-O and OCh-OCI.

16.3.1 OCh forward defect indication – Payload (OCh-FDI-P)

OCh-FDI is generated as an indication for an OCh server layer defect in the OMS network layer.

When the OTUk is terminated, the OCh-FDI is continued as an ODUk-AIS signal.

16.3.2 OCh forward defect indication – Overhead (OCh-FDI-O)

OCh-FDI-O is generated as an indication when the transport of OCh OH via the OOS is interrupted due to a signal fail condition in the OOS.

16.3.3 OCh open connection indication (OCh-OCI)

The OCh-OCI signal indicates to downstream transport processing functions that the OCh connection is not bound to, or not connected (via a matrix connection) to a termination source function. The indication is used in order to distinguish downstream between a missing optical channel due to a defect or due to the open connection (resulting from a management command).

NOTE – OCI is detected at the next downstream OTUk trail terminating equipment. If the connection was opened intentionally, the related alarm report from this trail termination should be disabled by using the alarm reporting control mode (refer to ITU-T M.3100/Amd.3).

16.4 OTUk maintenance signals

16.4.1 OTUk alarm indication signal (OTUk-AIS)

The OTUk-AIS (Figure 16-1) is a generic-AIS signal (16.6.1). Since the OTUk capacity (130 560 bits) is not an integer multiple of the PN-11 sequence length (2047 bits), the PN-11 sequence may cross an OTUk frame boundary.

NOTE – OTUk-AIS is defined to support a future server layer application. OTN equipment should be capable to detect the presence of such signal; it is not required to generate such signal.

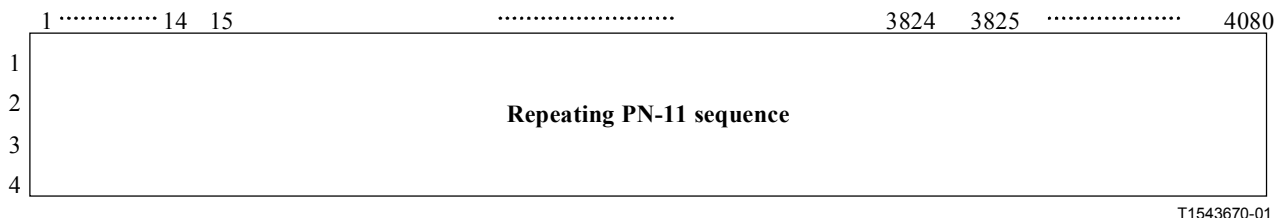


Figure 16-1/G.709/Y.1331 – OTUk-AIS

16.5 ODUk maintenance signals

Three ODUk maintenance signals are defined: ODUk-AIS, ODUk-OCI and ODUk-LCK.

16.5.1 ODUk alarm indication signal (ODUk-AIS)

ODUk-AIS is specified as all "1"s in the entire ODUk signal, excluding the frame alignment overhead (FA OH), OTUk overhead (OTUk OH) and ODUk FTFL (Figure 16-2).

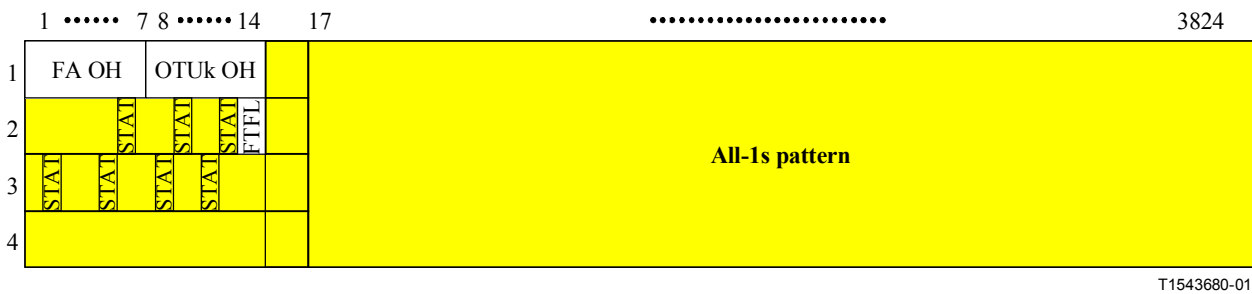


Figure 16-2/G.709/Y.1331 – ODUk-AIS

In addition, the ODUk-AIS signal may be extended with one or more levels of ODUk tandem connection, GCC1, GCC2, EXP and/or APS/PCC overhead before it is presented at the OTM interface. This is dependent on the functionality between the ODUk-AIS insertion point and the OTM interface.

The presence of ODUk-AIS is detected by monitoring the ODUk STAT bits in the PM and TCMi overhead fields.

16.5.2 ODUk open connection indication (ODUk-OCI)

ODUk-OCI is specified as a repeating "0110 0110" pattern in the entire ODUk signal, excluding the frame alignment overhead (FA OH) and OTUk overhead (OTUk OH) (Figure 16-3).

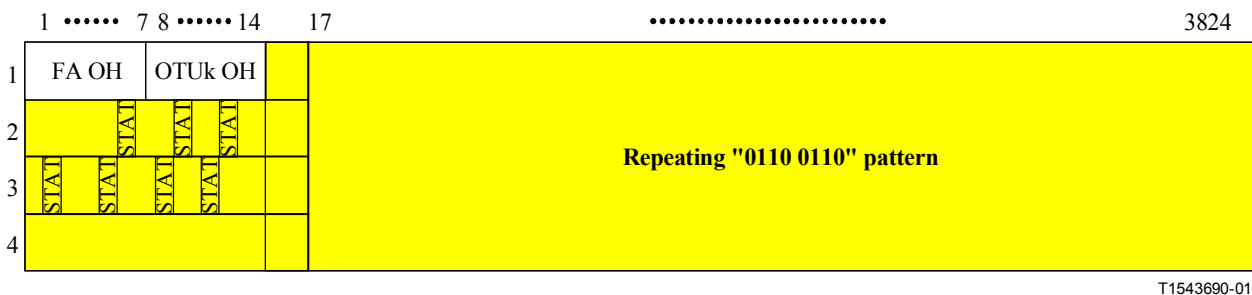


Figure 16-3/G.709/Y.1331 – ODUk-OCI

NOTE – The repeating "0110 0110" pattern is the default pattern; other patterns are also allowed as long as the STAT bits in the PM and TCMi overhead fields are set to "110".

In addition, the ODUk-OCI signal may be extended with one or more levels of ODUk tandem connection, GCC1, GCC2, EXP and/or APS/PCC overhead before it is presented at the OTM interface. This is dependent on the functionality between the ODUk-OCI insertion point and the OTM interface.

The presence of ODUk-OCI is detected by monitoring the ODUk STAT bits in the PM and TCMi overhead fields.

16.5.3 ODUk locked (ODUk-LCK)

ODUk-LCK is specified as a repeating "0101 0101" pattern in the entire ODUk signal, excluding the Frame Alignment overhead (FA OH) and OTUk overhead (OTUk OH) (Figure 16-4).

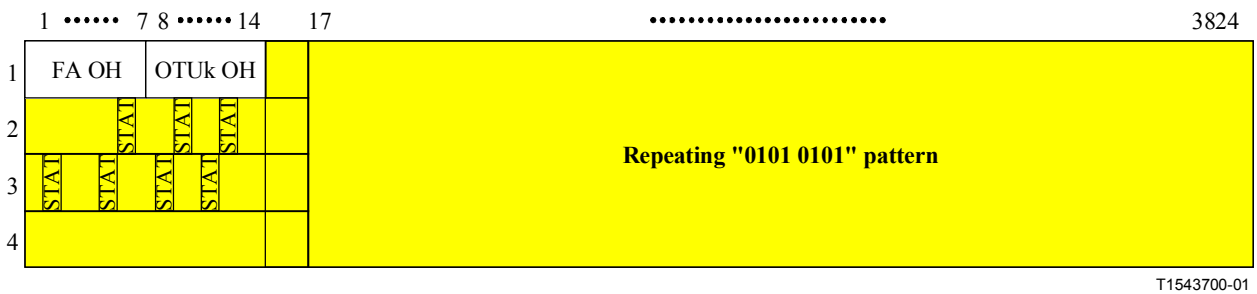


Figure 16-4/G.709/Y.1331 – ODUk-LCK

NOTE – The repeating "0101 0101" pattern is the default pattern; other patterns are also allowed as long as the STAT bits in the PM and TCMi overhead fields are set to "101".

In addition, the ODUk-LCK signal may be extended with one or more additional levels of ODUk tandem connection, GCC1, GCC2, EXP and/or APS/PCC overhead before it is presented at the OTM interface. This is dependent on the functionality between the ODUk-LCK insertion point and the OTM interface.

The presence of ODUk-LCK is detected by monitoring the ODUk STAT bits in the PM and TCMi overhead fields.

16.6 Client maintenance signal

16.6.1 Generic AIS for constant bit rate signals

The generic-AIS signal is a signal with a 2047-bit polynomial number 11 (PN-11) repeating sequence.

The PN-11 sequence is defined by the generating polynomial $1 + x^9 + x^{11}$ as specified in 5.2/O.150. (See Figure 16-5.)

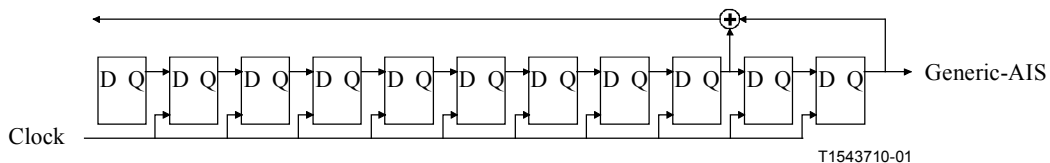


Figure 16-5/G.709/Y.1331 – Generic-AIS generating circuit

17 Mapping of client signals

17.1 Mapping of CBR2G5, CBR10G and CBR40G signals (e.g. STM-16/64/256) into OPUk

Mapping of a CBR2G5, CBR10G or CBR40G signal (with up to ± 20 ppm bit-rate tolerance) into an OPUk ($k = 1, 2, 3$) may be performed according to two different modes (asynchronous and bit synchronous) based on one generic OPUk frame structure (Figure 17-1).

NOTE 1 – Examples of such signals are STM-16, STM-64 and STM-256.

NOTE 2 – The maximum bit-rate tolerance between OPUk and the client signal clock, which can be accommodated by this mapping scheme, is ± 65 ppm. With a bit-rate tolerance of ± 20 ppm for the OPUk clock, the client signal's bit-rate tolerance can be ± 45 ppm.

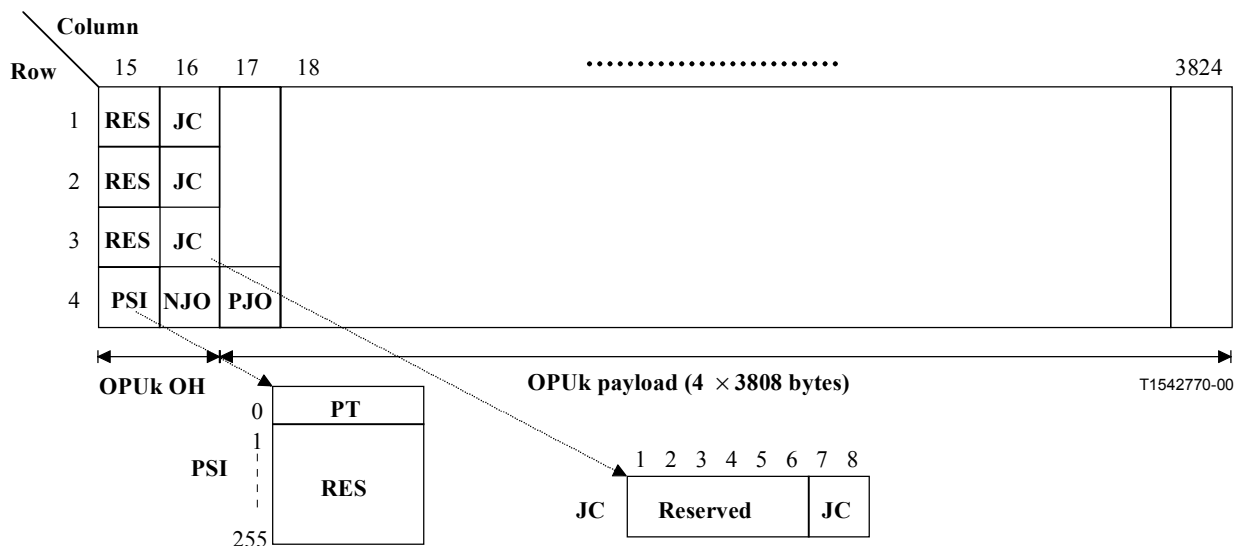


Figure 17-1/G.709/Y.1331 – OPUk frame structure for the mapping of a CBR2G5, CBR10G or CBR40G signal

The OPUk overhead for these mappings consists of a payload structure identifier (PSI) including the payload type (PT), three justification control (JC) bytes, one negative justification opportunity (NJO) byte, and three bytes reserved for future international standardization (RES). The JC bytes consist of two bits for justification control and six bits reserved for future international standardization.

The OPUk payload for these mappings consists of 4×3808 bytes, including one positive justification opportunity (PJO) byte.

The justification control (JC) signal, which is located in rows 1, 2 and 3 of column 16, bits 7 and 8, is used to control the two justification opportunity bytes NJO and PJO that follow in row 4.

The asynchronous and bit synchronous mapping processes generate the JC, NJO and PJO according to Tables 17-1 and Table 17-2, respectively. The demapping process interprets JC, NJO and PJO according to Table 17-3. Majority vote (two out of three) shall be used to make the justification decision in the demapping process to protect against an error in one of the three JC signals.

Table 17-1/G.709/Y.1331 – JC, NJO and PJO generation by asynchronous mapping process

| JC [78] | NJO | PJO |
|------------|--------------------|--------------------|
| 00 | justification byte | data byte |
| 01 | data byte | data byte |
| 10 | not generated | |
| 11 | justification byte | justification byte |

Table 17-2/G.709/Y.1331 – JC, NJO and PJO generation by bit synchronous mapping process

| JC [78] | NJO | PJO |
|------------|--------------------|-----------|
| 00 | justification byte | data byte |
| 01 | not generated | |
| 10 | | |
| 11 | | |

Table 17-3/G.709/Y.1331 – JC, NJO and PJO interpretation

| JC [78] | NJO | PJO |
|--|--------------------|--------------------|
| 00 | justification byte | data byte |
| 01 | data byte | data byte |
| 10 (Note) | justification byte | data byte |
| 11 | justification byte | justification byte |
| NOTE – A mapper circuit does not generate this code. Due to bit errors a demapper circuit might receive this code. | | |

The value contained in NJO and PJO when they are used as justification bytes is all-0s. The receiver is required to ignore the value contained in these bytes whenever they are used as justification bytes.

During a signal fail condition of the incoming CBR2G5, CBR10G or CBR40G client signal (e.g. in the case of a loss of input signal), this failed incoming signal is replaced by the generic-AIS signal as specified in 16.6.1, and is then mapped into the OPUk.

During signal fail condition of the incoming ODUk/OPUk signal (e.g. in the case of an ODUk-AIS, ODUk-LCK, ODUk-OCI condition) the generic-AIS pattern as specified in 16.6.1 is generated as a replacement signal for the lost CBR2G5, CBR10G or CBR40G signal.

Asynchronous mapping

The OPUk signal for the asynchronous mapping is created from a locally generated clock (within the limits specified in Table 17-3), which is independent of the CBR2G5, CBR10G or CBR40G (i.e. $4^{(k-1)} \times 2\,488\,320$ kbit/s ($k = 1,2,3$)) client signal.

The CBR2G5, CBR10G, CBR40G (i.e. $4^{(k-1)} \times 2\,488\,320$ kbit/s ($k = 1,2,3$)) signal is mapped into the OPUk using a positive/negative/zero (pnz) justification scheme.

Bit synchronous mapping

The OPUk clock for the bit synchronous mapping is derived from the CBR2G5, CBR10G or CBR40G (i.e. $4^{(k-1)} \times 2\,488\,320$ kbit/s ($k = 1,2,3$)) client signal. During signal fail conditions of the incoming CBR2G5, CBR10G or CBR40G signal (e.g. in the case of loss of input signal), the OPUk payload signal bit rate shall be within the limits specified in Table 17-3 and neither a frequency nor frame phase discontinuity shall be introduced. The resynchronization on the incoming CBR2G5, CBR10G or CBR40G signal shall be done without introducing a frequency or frame phase discontinuity.

The CBR2G5, CBR10G or CBR40G (i.e. $4^{(k-1)} \times 2\,488\,320$ kbit/s ($k = 1,2,3$)) signal is mapped into the OPUk without using the justification capability within the OPUk frame: NJO contains a justification byte, PJO contains a data byte, and the JC signal is fixed to 00.

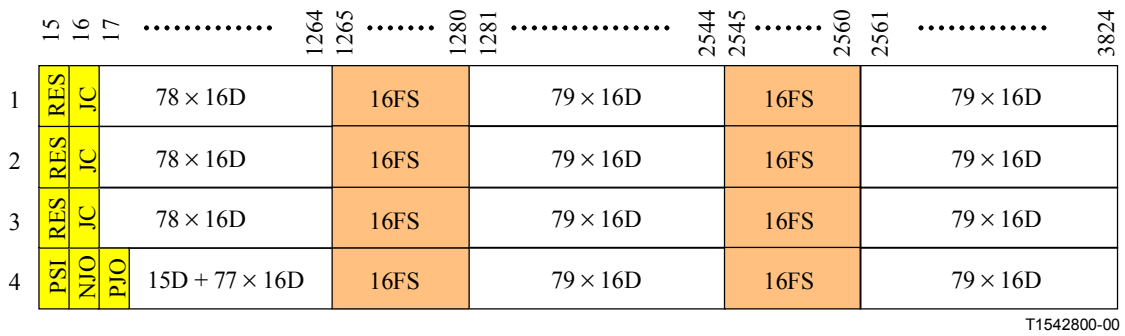


Figure 17-4/G.709/Y.1331 – Mapping of a CBR40G signal into OPU3

17.2 Mapping of ATM cell stream into OPUk

A constant bit rate ATM cell stream with a capacity that is identical to the OPUk payload area is created by multiplexing the ATM cells of a set of ATM VP signals. Rate adaptation is performed as part of this cell stream creation process by either inserting idle cells or by discarding cells. Refer to ITU-T I.432.1. The ATM cell stream is mapped into the OPUk payload area with the ATM cell byte structure aligned to the ODUk payload byte structure (Figure 17-5). The ATM cell boundaries are thus aligned with the OPUk payload byte boundaries. Since the OPUk payload capacity (15 232 bytes) is not an integer multiple of the cell length (53 bytes), a cell may cross an OPUk frame boundary.

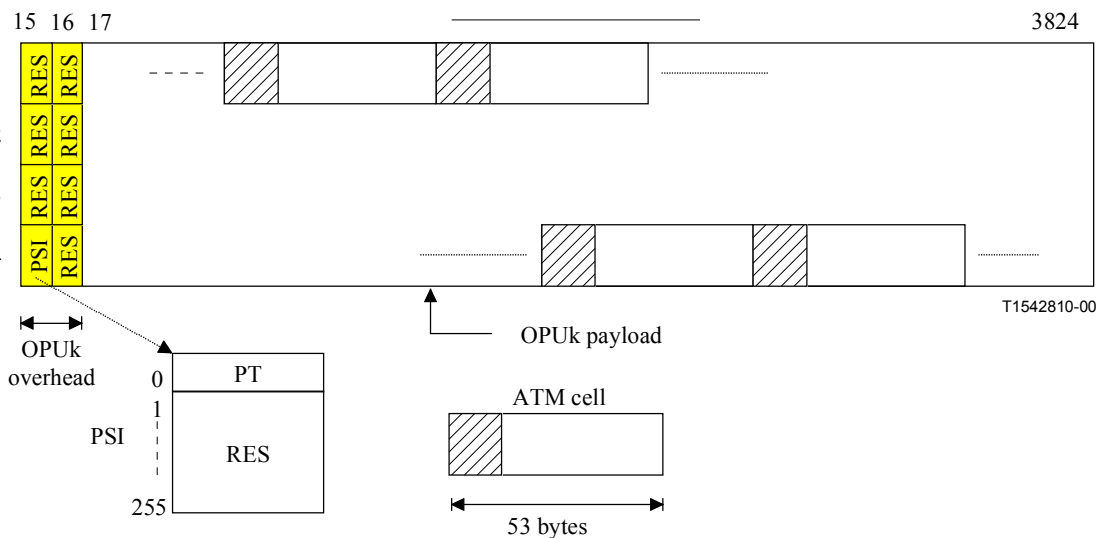


Figure 17-5/G.709/Y.1331 – OPUk frame structure and mapping of ATM cells into OPUk

The ATM cell information field (48 bytes) shall be scrambled before mapping into the OPUk. In the reverse operation, following termination of the OPUk signal, the ATM cell information field will be descrambled before being passed to the ATM layer. A self-synchronizing scrambler with generator polynomial $x^{43} + 1$ shall be used (as specified in ITU-T I.432.1). The scrambler operates for the duration of the cell information field. During the 5-byte header the scrambler operation is suspended and the scrambler state retained. The first cell transmitted on start-up will be corrupted because the descrambler at the receiving end will not be synchronized to the transmitter scrambler. Cell information field scrambling is required to provide security against false cell delineation and cell information field replicating the OTUk and ODUk frame alignment signal.

When extracting the ATM cell stream from the OPUk payload area after the ODUk termination, the ATM cells must be recovered. The ATM cell header contains a header error control (HEC) field, which may be used in a similar way to a frame alignment word to achieve cell delineation. This HEC method uses the correlation between the header bits to be protected by the HEC (32 bits) and the control bit of the HEC (8 bits) introduced in the header after computation with a shortened cyclic code with generating polynomial $g(x) = x^8 + x^2 + x + 1$.

The remainder from this polynomial is then added to the fixed pattern "01010101" in order to improve the cell delineation performance. This method is similar to conventional frame alignment recovery where the alignment signal is not fixed but varies from cell to cell.

More information on HEC cell delineation is given in ITU-T I.432.1

The OPUk overhead for the ATM mapping consists of a payload structure identifier (PSI) including the payload type (PT) and seven bytes reserved for future international standardization (RES).

The OPUk payload for the ATM mapping consists of 4×3808 bytes.

17.3 Mapping of GFP frames into OPUk

The mapping of generic framing procedure (GFP) frames is performed by aligning the byte structure of every GFP frame with the byte structure of the OPUk payload (Figure 17-6). Since the GFP frames are of variable length (the mapping does not impose any restrictions on the maximum frame length), a frame may cross the OPUk frame boundary.

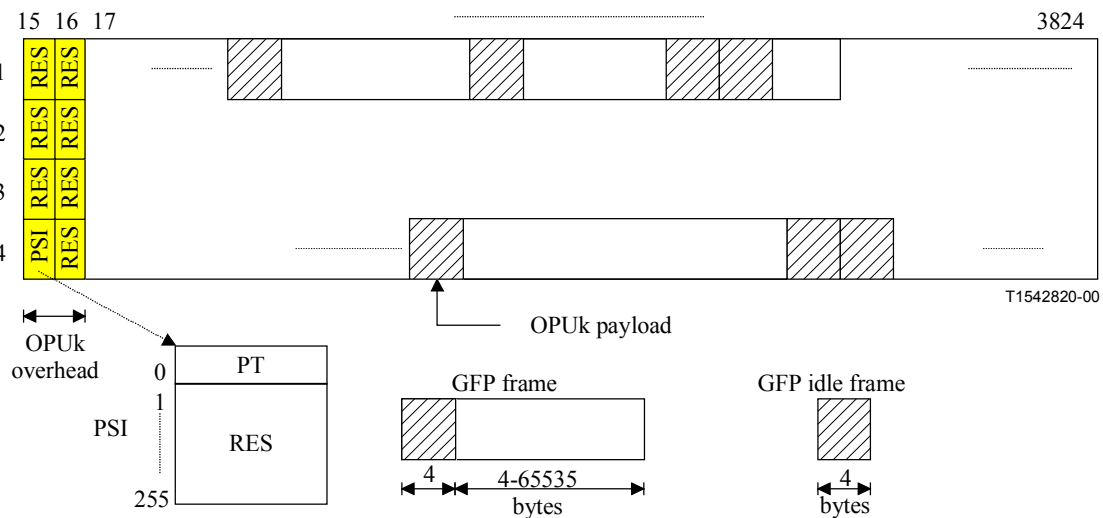


Figure 17-6/G.709/Y.1331 – OPUk frame structure and mapping of GFP frames into OPUk

GFP frames arrive as a continuous bit stream with a capacity that is identical to the OPUk payload area, due to the insertion of Idle frames at the GFP encapsulation stage. The GFP frame stream is scrambled during encapsulation.

NOTE – There is no rate adaptation or scrambling required at the mapping stage; this is performed by the GFP encapsulation process.

The OPUk overhead for the GFP mapping consists of a payload structure identifier (PSI) including the payload type (PT) and seven bytes reserved for future international standardization (RES).

The OPUk payload for the GFP mapping consists of 4×3808 bytes.

17.4 Mapping of test signal into OPUk

17.4.1 Mapping of a NULL client into OPUk

An OPUk payload signal with an all-0s pattern (Figure 17-7) is defined for test purposes. This is referred to as the NULL client.

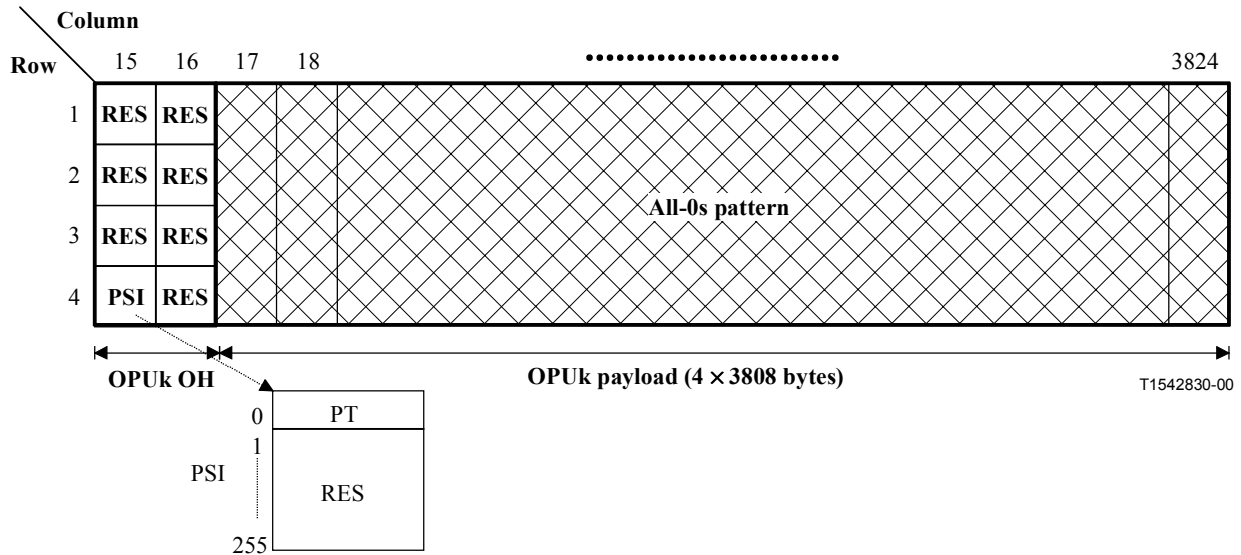


Figure 17-7/G.709/Y.1331 – OPUk frame structure and mapping of NULL client into OPUk

The OPUk overhead for the NULL mapping consists of a payload structure identifier (PSI) including the payload type (PT) and seven bytes reserved for future international standardization (RES).

The OPUk payload for the NULL mapping consists of 4×3808 bytes.

17.4.2 Mapping of PRBS test signal into OPUk

For test purposes a 2 147 483 647-bit pseudo-random test sequence ($2^{31} - 1$) as specified in 5.8/O.150 can be mapped into the OPUk payload. Groups of 8 successive bits of the 2 147 483 647-bit pseudo-random test sequence signal are mapped into 8 data bits (8D) (i.e. one byte) of the ODU3 payload (Figure 17-8).

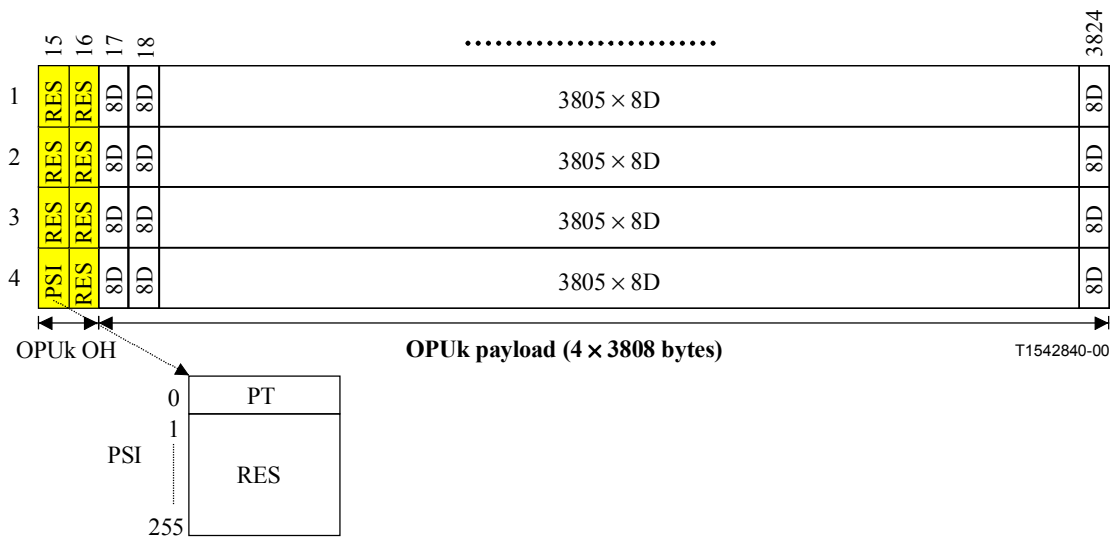


Figure 17-8/G.709/Y.1331 – OPUk frame structure and mapping of 2 147 483 647-bit pseudo-random test sequence into OPUk

The OPUk overhead for the PRBS mapping consists of a payload structure identifier (PSI) including the payload type (PT) and seven bytes reserved for future international standardization (RES).

The OPUk payload for the PRBS mapping consists of 4 × 3808 bytes.

17.5 Mapping of a non-specific client bit stream into OPUk

In addition to the mappings of specific client signals as specified in the other subclauses of this clause, a non-specific client mapping into OPUk is specified. Any (set of) client signal(s), which after encapsulation into a continuous bit stream with a bit rate of the OPUk payload, can be mapped into the OPUk payload (Figure 17-9). The bit stream must be synchronous with the OPUk signal. Any justification must be included in the continuous bit stream creation process. The continuous bit stream must be scrambled before mapping into the OPUk payload.

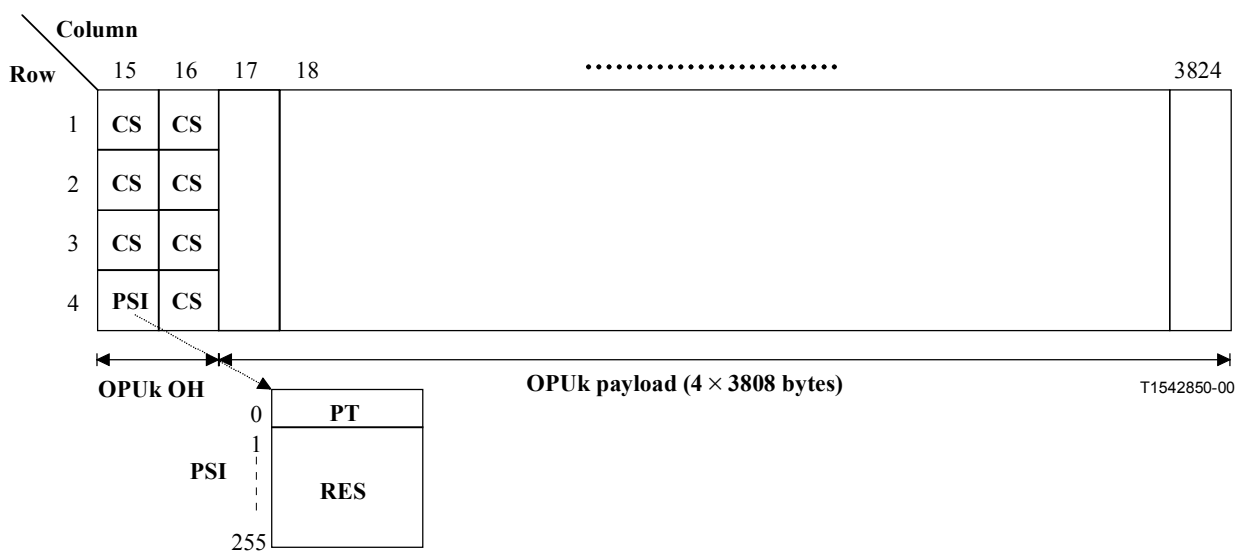


Figure 17-9/G.709/Y.1331 – OPUk frame structure for the mapping of a synchronous constant bit stream

The bytes in an OTU row belonging to FEC sub-row X are defined by: $X+16 \cdot (i-1)$ (for $i = 1 \dots 255$).

The generator polynomial of the code is given by:

$$G(z) = \prod_{i=0}^{15} (z - \alpha^i)$$

where α is a root of the binary primitive polynomial $x^8 + x^4 + x^3 + x^2 + 1$.

The FEC code word (Figure A.2) consists of information bytes and parity bytes (FEC redundancy) and is represented by the polynomial

$$C(z) = I(z) + R(z)$$

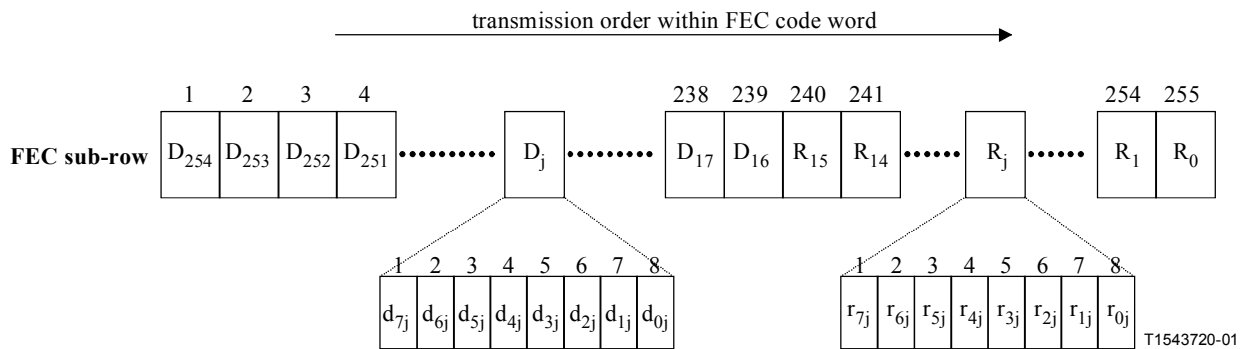


Figure A.2/G.709/Y.1331 – FEC code word

Information bytes are represented by:

$$I(z) = D_{254} \cdot z^{254} + D_{253} \cdot z^{253} + \dots + D_{16} \cdot z^{16}$$

Where D_j ($j = 16$ to 254) is the information byte represented by an element out of GF(256) and

$$D_j = d_{7j} \cdot \alpha^7 + d_{6j} \cdot \alpha^6 + \dots + d_{1j} \cdot \alpha^1 + d_{0j}$$

Bit d_{7j} is the MSB and d_{0j} the LSB of the information byte.

D_{254} corresponds to the byte 1 in the FEC sub-row and D_{16} to byte 239.

Parity bytes are represented by:

$$R(z) = R_{15} \cdot z^{15} + R_{14} \cdot z^{14} + \dots + R_1 \cdot z^1 + R_0$$

Where R_j ($j = 0$ to 15) is the parity byte represented by an element out of GF(256) and

$$R_j = r_{7j} \cdot \alpha^7 + r_{6j} \cdot \alpha^6 + \dots + r_{1j} \cdot \alpha^1 + r_{0j}$$

Bit r_{7j} is the MSB and r_{0j} the LSB of the parity byte.

R_{15} corresponds to the byte 240 in the FEC sub-row and R_0 to byte 255.

$R(z)$ is calculated by:

$$R(z) = I(z) \text{ mod } G(z)$$

where "mod" is the modulo calculation over the code generator polynomial $G(z)$ with elements out of the $GF(256)$. Each element in $GF(256)$ is defined by the binary primitive polynomial $x^8 + x^4 + x^3 + x^2 + 1$.

The Hamming distance of the RS(255,239) code is $d_{\min} = 17$. The code can correct up to 8 symbol errors in the FEC code word when it is used for error correction. The FEC can detect up to 16 symbol errors in the FEC code word when it is used for error detection capability only.

APPENDIX I

Range of stuff ratios for asynchronous mappings of CBR2G5, CBR10G, and CBR40G clients with ± 20 ppm bit-rate tolerance into OPUk

Clause 17.1 describes asynchronous and bit synchronous mappings of CBR2G5, CBR10G, and CBR40G clients with ± 20 ppm bit-rate tolerance into OPU1, 2 and 3, respectively. For asynchronous mappings, any frequency difference between the client and local OPUk clock is accommodated by the positive/negative/zero (pnz) justification scheme. The OPUk payload, ODUk, and OTUk bit rates and tolerances are given in 7.2. The ODU1, ODU2, and ODU3 rates are 239/238, 239/237, and 239/236 times 2 488 320 kbit/s, 9 953 280 kbit/s, and 39 813 120 kbit/s, respectively. The ODUk bit-rate tolerances are ± 20 ppm. This appendix shows that the pnz justification scheme can accommodate these bit rates and tolerances, and also derives the range of justification (stuff) ratio for each mapping.

The pnz mapping in 17.1 provides for one positive justification opportunity (PJO) and one negative justification opportunity (NJO) in each ODUk frame. Traditionally, the justification ratio (stuff ratio) for purely positive justification schemes is defined as the long-run average fraction of justification opportunities for which a justification is done (i.e. for a very large number of frames, the ratio of the number of justifications to the total number of justification opportunities). In the pnz scheme, positive and negative justifications must be distinguished. This is done by using different algebraic signs for positive and negative justifications. With this convention, the justification ratio can vary at most (for sufficiently large frequency offsets) from -1 to $+1$ (in contrast to a purely positive justification scheme, where justification ratio can vary at most from 0 to 1). Let α represent justification ratio ($-1 \leq \alpha \leq 1$), and use the further convention that positive α will correspond to negative justification and negative α to positive justification (the reason for this convention is explained below).

Define the following notation:

| | |
|---------|--|
| N | number of fixed stuff bytes in the OPUk payload area |
| S | nominal client rate (bytes/s) |
| T | nominal ODUk frame period(s) |
| β | ratio of actual frequency difference between the ODUk frequency and client frequency and the nominal value of this difference (the nominal value is the frequency difference between the ODUk and client frequencies when both are nominal). |
| N_f | average number of client bytes mapped into an ODUk frame, for the particular frequency offsets (averaged over a large number of frames) |

Then N_f is given by:

$$N_f = S \cdot \beta \cdot T \quad (\text{I-1})$$

However, the average number of client bytes mapped into an ODUk frame is also equal to the total number of bytes in the payload area (which is $(4)(3808) = 15232$), minus the number of fixed stuff

bytes (N), plus the average number of bytes stuffed over a very large number of frames. The latter is equal to the justification ratio α . Combining this with equation (I-1) produces:

$$S \cdot \beta \cdot T = 15232 - N + \alpha \quad (\text{I-2})$$

In equation (I-2), a positive α corresponds to more client bytes mapped into the ODUk, on average. However, this would correspond to negative justification. This sign convention is used so that α enters in equation (I-2) with a positive sign (for convenience).

With the above, the range of α for each client mapping may be determined. It will be seen that in the three cases α is in the range $[-1, 1]$.

Asynchronous mapping of CBR2G5 (2 488 320 kbit/s) signal into OPU1

The nominal ODU1 rate is $(239/238)S$. But the nominal ODU1 rate is also equal to $(4 \times 3824)/T$. Then

$$S \cdot T = 4 \times 3824 \times \frac{238}{239} = 15232 \quad (\text{I-3})$$

Inserting this into equation (I-2), and using the fact that $N = 0$ (no fixed stuff bytes) for this mapping produces:

$$\alpha = 15232(\beta - 1) \quad (\text{I-4})$$

Since the ODUk and client frequency tolerances are each ± 20 ppm, β ranges from 0.99996 to 1.00004. Using this in equation (I-4) gives as the range of α :

$$-0.60928 \leq \alpha \leq +0.60928 \quad (\text{I-5})$$

Asynchronous mapping of CBR10G (9 953 280 kbit/s) signal into OPU2

The nominal ODU2 rate is $(239/237)S$. But the nominal ODU2 rate is also equal to $(4 \times 3824)/T$. Then

$$S \cdot T = 4 \times 3824 \times \frac{237}{239} = 15168 \quad (\text{I-6})$$

Inserting this into equation (I-2), and using the fact that $N = 64$ (number of fixed stuff bytes) for this mapping produces:

$$\alpha = 15168 \times \beta + 64 - 15232 = 15168(\beta - 1) \quad (\text{I-7})$$

As before, the ODUk and client frequency tolerances are ± 20 ppm, and β ranges from 0.99996 to 1.00004. Using this in equation (I-7) gives as the range of α :

$$-0.60672 \leq \alpha \leq +0.60672 \quad (\text{I-8})$$

Asynchronous mapping of CBR40G (39 813 120 kbit/s) signal into OPU3

The nominal ODU3 rate is $(239/236)S$. But the nominal ODU3 rate is also equal to $(4 \times 3824)/T$. Then

$$S \cdot T = 4 \times 3824 \times \frac{236}{239} = 15104 \quad (\text{I-9})$$

Inserting this into equation (I-2), and using the fact that $N = 128$ (number of fixed stuff bytes) for this mapping produces:

$$\alpha = 15104 \times \beta + 128 - 15232 = 15104(\beta - 1) \quad (\text{I-10})$$

As before, the ODUk and client frequency tolerances are ± 20 ppm, and β ranges from 0.99996 to 1.00004. Using this in equation (I-7) gives as the range of α :

$$-0.60416 \leq \alpha \leq +0.60416 \quad (\text{I-11})$$

APPENDIX II

Examples of functionally standardized OTU frame structures

This appendix provides examples of functionally standardized OTU frame structures. These examples are for illustrative purposes and by no means imply a definition of such structures. The completely standardized OTUk frame structure as defined in this Recommendation is shown in Figure II.1. Functionally standardized OTUkV frame structures will be needed to support, e.g. alternative FEC. Examples of OTUkV frame structures are:

- OTUkV with the same overhead byte allocation as the OTUk, but use of an alternative FEC as shown in Figure II.2;
- OTUkV with the same overhead byte allocation as the OTUk, but use of a smaller, alternative FEC code and the remainder of the OTUkV FEC overhead area filled with fixed stuff as shown in Figure II.3;
- OTUkV with a larger FEC overhead byte allocation as the OTUk, and use of an alternative FEC as shown in Figure II.4;
- OTUkV with no overhead byte allocation for FEC as shown in Figure II.5;
- OTUkV with a different frame structure than the OTUk frame structure, supporting a different OTU overhead (OTUkV overhead and OTUkV FEC) as shown in Figure II.6;
- OTUkV with a different frame structure than the OTUk frame structure, supporting a different OTU overhead (OTUkV overhead) and with no overhead byte allocation for FEC as shown in Figure II.7.

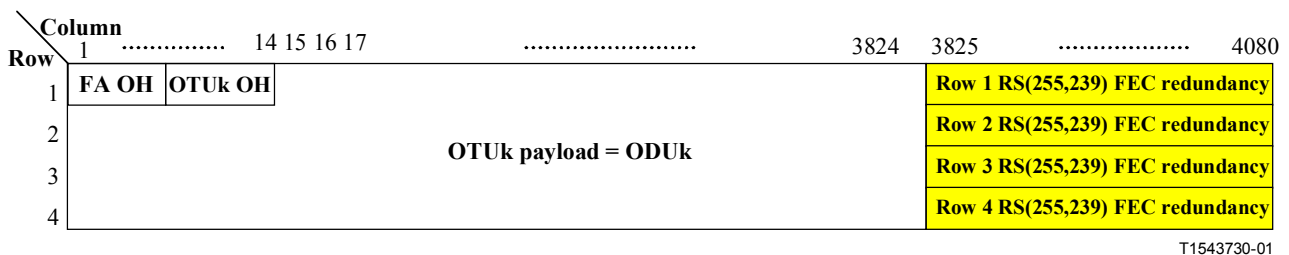


Figure II.1/G.709/Y.1331 – OTUk (with RS(255,239) FEC)

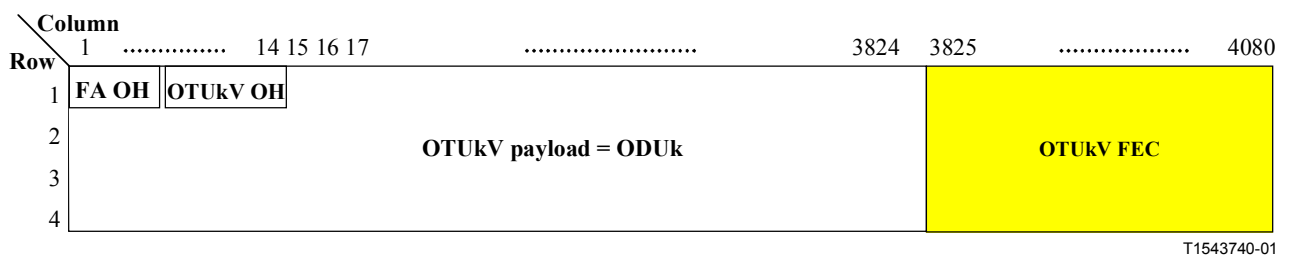


Figure II.2/G.709/Y.1331 – OTUkV with alternative FEC

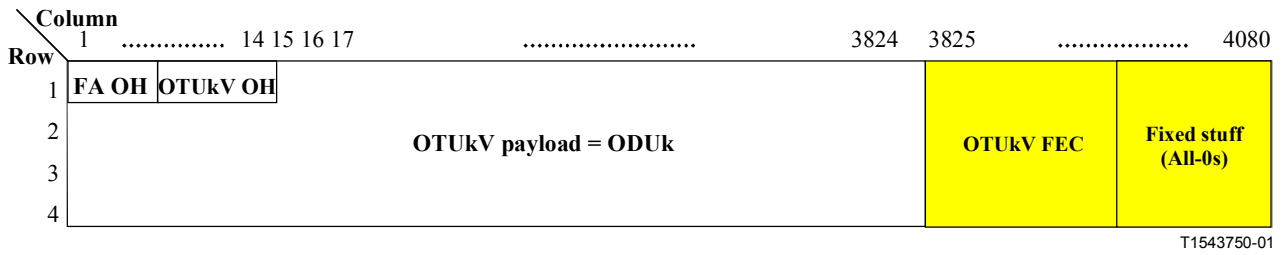


Figure II.3/G.709/Y.1331 – OTUkV with a smaller FEC and remainder of FEC area filled with fixed stuff

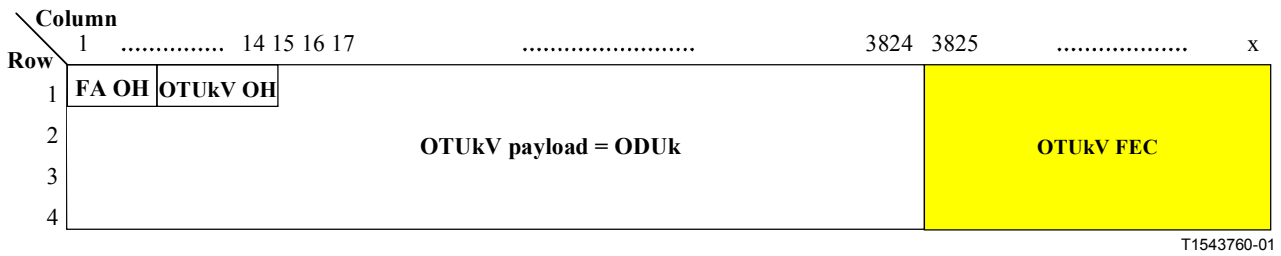


Figure II.4/G.709/Y.1331 – OTUkV with a larger FEC

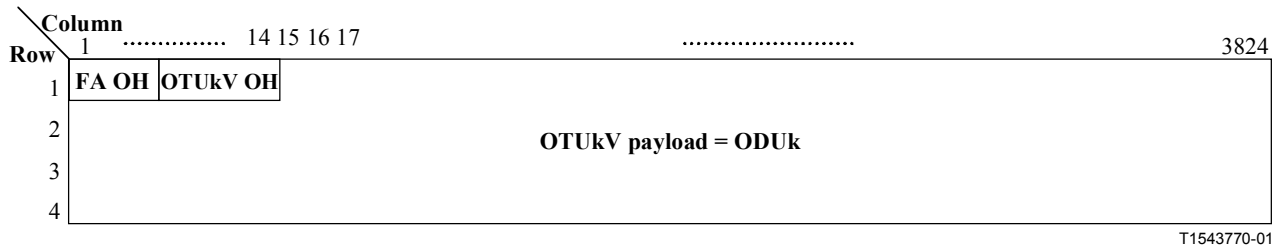


Figure II.5/G.709/Y.1331 – OTUkV without FEC area

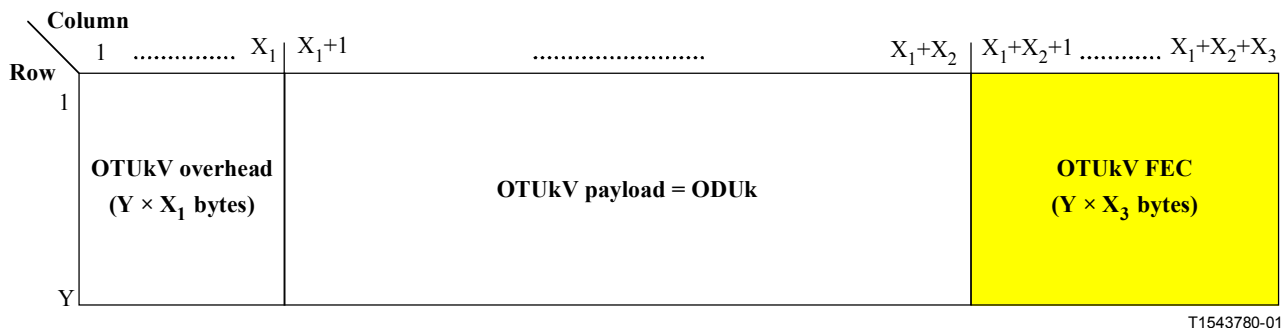


Figure II.6/G.709/Y.1331 – OTUkV with different frame structure

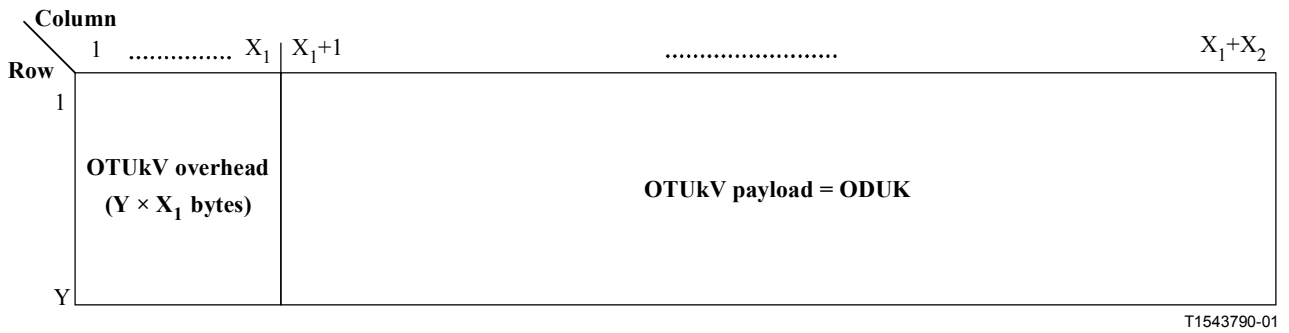


Figure II.7/G.709/Y.1331 – OTUkV with different frame structure and without FEC area

The mapping of the ODUk signal into the OTUkV may be either frame synchronous, asynchronous, or bit synchronous for the case of Figure II.1 to Figure II.5. For the case of Figure II.6 and Figure II.7, the mapping of the ODUk signal can be either asynchronous or bit synchronous.

For the case of an asynchronous mapping, the ODUk and OTUkV bit rates can be asynchronous. The ODUk signal is mapped as a bit stream into the OTUkV payload area using a stuffing technique.

For the case of a bit synchronous mapping, the ODUk and OTUkV bit rates are synchronous. The ODUk signal is mapped into the OTUkV payload area without stuffing. The ODUk frame is not related to the OTUkV frame.

For the case of a frame synchronous mapping, the ODUk and OTUkV bit rates are synchronous and the frame structures are aligned. The ODUk signal is mapped into the OTUkV payload area without stuffing and with a fixed position of the ODUk frame within the OTUkV frame. (See Figure II.8.)

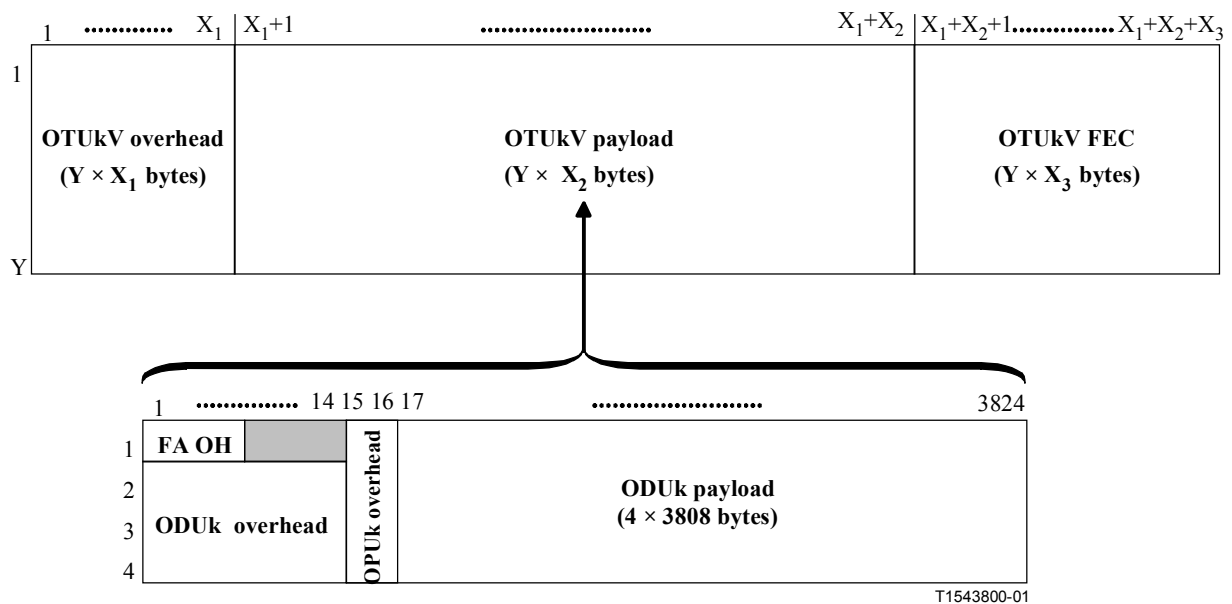


Figure II.8/G.709/Y.1331 – Asynchronous (or bit synchronous) mapping of ODUk into OTUkV

ITU-T Y-SERIES RECOMMENDATIONS
GLOBAL INFORMATION INFRASTRUCTURE AND INTERNET PROTOCOL ASPECTS

| | |
|--|----------------------|
| GLOBAL INFORMATION INFRASTRUCTURE | |
| General | Y.100–Y.199 |
| Services, applications and middleware | Y.200–Y.299 |
| Network aspects | Y.300–Y.399 |
| Interfaces and protocols | Y.400–Y.499 |
| Numbering, addressing and naming | Y.500–Y.599 |
| Operation, administration and maintenance | Y.600–Y.699 |
| Security | Y.700–Y.799 |
| Performances | Y.800–Y.899 |
| INTERNET PROTOCOL ASPECTS | |
| General | Y.1000–Y.1099 |
| Services and applications | Y.1100–Y.1199 |
| Architecture, access, network capabilities and resource management | Y.1200–Y.1299 |
| Transport | Y.1300–Y.1399 |
| Interworking | Y.1400–Y.1499 |
| Quality of service and network performance | Y.1500–Y.1599 |
| Signalling | Y.1600–Y.1699 |
| Operation, administration and maintenance | Y.1700–Y.1799 |
| Charging | Y.1800–Y.1899 |

For further details, please refer to the list of ITU-T Recommendations.

SERIES OF ITU-T RECOMMENDATIONS

| | |
|-----------------|--|
| Series A | Organization of the work of ITU-T |
| Series B | Means of expression: definitions, symbols, classification |
| Series C | General telecommunication statistics |
| Series D | General tariff principles |
| Series E | Overall network operation, telephone service, service operation and human factors |
| Series F | Non-telephone telecommunication services |
| Series G | Transmission systems and media, digital systems and networks |
| Series H | Audiovisual and multimedia systems |
| Series I | Integrated services digital network |
| Series J | Cable networks and transmission of television, sound programme and other multimedia signals |
| Series K | Protection against interference |
| Series L | Construction, installation and protection of cables and other elements of outside plant |
| Series M | TMN and network maintenance: international transmission systems, telephone circuits, telegraphy, facsimile and leased circuits |
| Series N | Maintenance: international sound programme and television transmission circuits |
| Series O | Specifications of measuring equipment |
| Series P | Telephone transmission quality, telephone installations, local line networks |
| Series Q | Switching and signalling |
| Series R | Telegraph transmission |
| Series S | Telegraph services terminal equipment |
| Series T | Terminals for telematic services |
| Series U | Telegraph switching |
| Series V | Data communication over the telephone network |
| Series X | Data networks and open system communications |
| Series Y | Global information infrastructure and Internet protocol aspects |
| Series Z | Languages and general software aspects for telecommunication systems |