

## Recommendation

# **ITU-T G.8271.1/Y.1366.1 (2022) Amd. 1 (06/2023)**

SERIES G: Transmission systems and media, digital systems and networks

Packet over Transport aspects – Synchronization, quality and availability targets

SERIES Y: Global information infrastructure, Internet protocol aspects, next-generation networks, Internet of Things and smart cities

Internet protocol aspects – Transport

---

Network limits for time synchronization in packet networks with full timing support from the network  
**Amendment 1**



ITU-T G-SERIES RECOMMENDATIONS  
**Transmission systems and media, digital systems and networks**

INTERNATIONAL TELEPHONE CONNECTIONS AND CIRCUITS	G.100-G.199
GENERAL CHARACTERISTICS COMMON TO ALL ANALOGUE CARRIER-TRANSMISSION SYSTEMS	G.200-G.299
INDIVIDUAL CHARACTERISTICS OF INTERNATIONAL CARRIER TELEPHONE SYSTEMS ON METALLIC LINES	G.300-G.399
GENERAL CHARACTERISTICS OF INTERNATIONAL CARRIER TELEPHONE SYSTEMS ON RADIO-RELAY OR SATELLITE LINKS AND INTERCONNECTION WITH METALLIC LINES	G.400-G.449
COORDINATION OF RADIOTELEPHONY AND LINE TELEPHONY	G.450-G.499
TRANSMISSION MEDIA AND OPTICAL SYSTEMS CHARACTERISTICS	G.600-G.699
DIGITAL TERMINAL EQUIPMENTS	G.700-G.799
DIGITAL NETWORKS	G.800-G.899
DIGITAL SECTIONS AND DIGITAL LINE SYSTEM	G.900-G.999
MULTIMEDIA QUALITY OF SERVICE AND PERFORMANCE – GENERIC AND USER-RELATED ASPECTS	G.1000-G.1999
TRANSMISSION MEDIA CHARACTERISTICS	G.6000-G.6999
DATA OVER TRANSPORT – GENERIC ASPECTS	G.7000-G.7999
PACKET OVER TRANSPORT ASPECTS	G.8000-G.8999
Ethernet over Transport aspects	G.8000-G.8099
MPLS over Transport aspects	G.8100-G.8199
<b>Synchronization, quality and availability targets</b>	<b>G.8200-G.8299</b>
Mobile network transport aspects	G.8300-G.8399
Service Management	G.8600-G.8699
ACCESS NETWORKS	G.9000-G.9999

*For further details, please refer to the list of ITU-T Recommendations.*

# Recommendation ITU-T G.8271.1/Y.1366.1

## Network limits for time synchronization in packet networks with full timing support from the network

### Amendment 1

#### Summary

Recommendation ITU-T G.8271.1/Y.1366.1 specifies the maximum network limits of phase and time error that shall not be exceeded. It specifies the minimum equipment tolerance to phase and time error that shall be provided at the boundary of packet networks at phase and time synchronization interfaces. It also outlines the minimum requirements for the synchronization function of network elements.

This Recommendation addresses the case of time and phase distribution across a network by a packet-based method with full timing support to the protocol level from the network.

Amendment 1 to Recommendation ITU-T G.8271.1/Y.1366.1 provides the following updates:

- Clarifications and improvements in clause XI, Measurement of maximum relative time error limits.
- Editorial changes replacing the term calibration with compensation that better reflect what is meant throughout this Recommendation.
- Enhanced network limits at reference point C have been added as clause 7.3.3, then for clarity old clause 7.3 text is moved into new clause 7.3.1 and old clause 7.5 is moved to new clause 7.3.2.

Change non-inclusive language in line with IEEE1588g.

#### History \*

Edition	Recommendation	Approval	Study Group	Unique ID
1.0	ITU-T G.8271.1/Y.1366.1	2013-08-29	15	11.1002/1000/12034
1.1	ITU-T G.8271.1/Y.1366.1 (2013) Amd. 1	2014-05-14	15	11.1002/1000/12194
1.2	ITU-T G.8271.1/Y.1366.1 (2013) Amd. 2	2015-01-13	15	11.1002/1000/12392
2.0	ITU-T G.8271.1/Y.1366.1	2017-10-07	15	11.1002/1000/13323
2.1	ITU-T G.8271.1/Y.1366.1 (2017) Amd. 1	2018-03-16	15	11.1002/1000/13550
2.2	ITU-T G.8271.1/Y.1366.1 (2017) Amd. 2	2019-08-29	15	11.1002/1000/14013
3.0	ITU-T G.8271.1/Y.1366.1	2020-03-15	15	11.1002/1000/14210
3.1	ITU-T G.8271.1/Y.1366.1 (2020) Amd. 1	2020-10-29	15	11.1002/1000/14527
3.2	ITU-T G.8271.1/Y.1366.1 (2020) Amd. 2	2022-02-13	15	11.1002/1000/14903
4.0	ITU-T G.8271.1/Y.1366.1	2022-11-13	15	11.1002/1000/15130
4.1	ITU-T G.8271.1/Y.1366.1 (2022) Amd. 1	2023-06-13	15	11.1002/1000/15566

#### Keywords

Full timing support, network limits, phase, precision time protocol, synchronization, time.

---

\* To access the Recommendation, type the URL <https://handle.itu.int/> in the address field of your web browser, followed by the Recommendation's unique ID.

## FOREWORD

The International Telecommunication Union (ITU) is the United Nations specialized agency in the field of telecommunications, information and communication technologies (ICTs). The ITU Telecommunication Standardization Sector (ITU-T) is a permanent organ of ITU. ITU-T is responsible for studying technical, operating and tariff questions and issuing Recommendations on them with a view to standardizing telecommunications on a worldwide basis.

The World Telecommunication Standardization Assembly (WTSA), which meets every four years, establishes the topics for study by the ITU-T study groups which, in turn, produce Recommendations on these topics.

The approval of ITU-T Recommendations is covered by the procedure laid down in WTSA Resolution 1.

In some areas of information technology which fall within ITU-T's purview, the necessary standards are prepared on a collaborative basis with ISO and IEC.

## NOTE

In this Recommendation, the expression "Administration" is used for conciseness to indicate both a telecommunication administration and a recognized operating agency.

Compliance with this Recommendation is voluntary. However, the Recommendation may contain certain mandatory provisions (to ensure, e.g., interoperability or applicability) and compliance with the Recommendation is achieved when all of these mandatory provisions are met. The words "shall" or some other obligatory language such as "must" and the negative equivalents are used to express requirements. The use of such words does not suggest that compliance with the Recommendation is required of any party.

## INTELLECTUAL PROPERTY RIGHTS

ITU draws attention to the possibility that the practice or implementation of this Recommendation may involve the use of a claimed Intellectual Property Right. ITU takes no position concerning the evidence, validity or applicability of claimed Intellectual Property Rights, whether asserted by ITU members or others outside of the Recommendation development process.

As of the date of approval of this Recommendation, ITU had not received notice of intellectual property, protected by patents/software copyrights, which may be required to implement this Recommendation. However, implementers are cautioned that this may not represent the latest information and are therefore strongly urged to consult the appropriate ITU-T databases available via the ITU-T website at <http://www.itu.int/ITU-T/ipr/>.

© ITU 2023

All rights reserved. No part of this publication may be reproduced, by any means whatsoever, without the prior written permission of ITU.

## Table of Contents

	<b>Page</b>
1 Scope.....	1
2 References.....	1
3 Definitions .....	2
3.1 Terms defined elsewhere .....	2
3.2 Terms defined in this Recommendation.....	2
4 Abbreviations and acronyms .....	2
5 Conventions .....	3
6 Network reference model .....	3
7 Network limits .....	3
7.1 Network limits at reference point A .....	5
7.2 Network limits at reference point B .....	5
7.3 Network limits at reference point C .....	5
7.4 Network limit at reference point D.....	10
8 High-accuracy time transfer .....	12
8.1 Introduction .....	12
8.2 Performance requirements.....	12
Appendix I – Clock models for noise accumulation simulations .....	14
I.1 T-BC models for noise accumulation simulations .....	14
I.2 End-to-end TC models for noise accumulation simulations .....	17
Appendix II – Hypothetical reference models used to derive the network limits.....	20
II.1 HRM composed of T-BCs.....	20
II.2 HRM composed of T-BCs and T-TCs.....	24
Appendix III – Network limits considerations.....	27
III.1 Measurement of network limits in deployment case 1 .....	27
Appendix IV – Constant and dynamic time error and error accumulation.....	30
IV.1 Introduction .....	30
IV.2 Components of time error.....	30
IV.3 Accumulation of time error in a chain of clocks .....	31
Appendix V – Example of design options .....	34
V.1 Network limits .....	34
V.2 Components of time error budgets .....	34
V.3 Failure scenarios .....	35
V.4 Time error budget allocation .....	36
V.5 Operator options .....	38
V.6 Further details.....	38

	<b>Page</b>
Appendix VI – Mitigation of time error due to synchronous Ethernet transients.....	42
Appendix VII – Maximum relative time error.....	43
Appendix VIII – Models for budgeting in a chain of microwave devices.....	46
Appendix IX – Models for budgeting in a chain of xPON or xDSL devices .....	49
Appendix X – Time error and transients due to PTP rearrangement.....	53
Appendix XI – Measurement of maximum relative time error limits .....	54
XI.1    Measurement of maximum relative time error limits.....	54
XI.2    Estimation of maximum absolute relative time error .....	59
Appendix XII – Examples of design options for fronthaul and clusters of base stations .....	61
XII.1    Requirements .....	61
XII.2    Fronthaul architectures for packet-based time/phase distribution.....	62
XII.3    Failure scenarios .....	63
XII.4    Synchronization options .....	64
XII.5    Relative time error budget allocation .....	64
XII.6    Network design guidelines and measurement of the network limits.....	66
Appendix XIII – High-accuracy time transfer .....	68
XIII.1    Use-cases .....	68
XIII.2    Optical components and compensation .....	68
XIII.3    External interfaces at HA-TT-Source and HA-TT-Sink: .....	68
XIII.4    Reference chain: .....	68
Bibliography.....	69

# Recommendation ITU-T G.8271.1/Y.1366.1

## Network limits for time synchronization in packet networks with full timing support from the network

### Amendment 1

*Editorial note: This is a complete-text publication. Modifications introduced by this amendment are shown in revision marks relative to Recommendation ITU-T G. 8271.1/Y.1366.1 (2022).*

#### 1 Scope

This Recommendation specifies the maximum network limits of phase and time error that shall not be exceeded. It specifies the minimum equipment tolerance to phase and time error that shall be provided at the boundary of packet networks at phase and time synchronization interfaces. It also outlines the minimum requirements for the synchronization function of network elements.

This Recommendation addresses the case of time and phase distribution across a network with packet-based method with full timing support (FTS) to the protocol level from the network.

The physical layers (PHY) that are relevant to this specification are the Ethernet media types as defined in [IEEE 802.3].

#### 2 References

The following ITU-T Recommendations and other references contain provisions which, through reference in this text, constitute provisions of this Recommendation. At the time of publication, the editions indicated were valid. All Recommendations and other references are subject to revision; users of this Recommendation are therefore encouraged to investigate the possibility of applying the most recent edition of the Recommendations and other references listed below. A list of the currently valid ITU-T Recommendations is regularly published. The reference to a document within this Recommendation does not give it, as a stand-alone document, the status of a Recommendation.

- [ITU-T G.652] Recommendation ITU-T G.652 (2016), *Characteristics of a single-mode optical fibre and cable.*
- [ITU-T G.810] Recommendation ITU-T G.810 (1996), *Definitions and terminology for synchronization networks.*
- [ITU-T G.8260] Recommendation ITU-T G.8260 (2022), *Definitions and terminology for synchronization in packet networks.*
- [ITU-T G.8271] Recommendation ITU-T G.8271/Y.1366 (2020), *Time and phase synchronization aspects of telecommunication networks.*
- [ITU-T G.8272] Recommendation ITU-T G.8272/Y.1367 (2018), *Timing characteristics of primary reference time clocks.*
- [ITU-T G.8273.2] Recommendation ITU-T G.8273.2/Y.1368.2 (2023<sup>0</sup>), *Timing characteristics of telecom boundary clocks and telecom time ~~slave~~-synchronous clocks [for use with full timing support from the network.](#)*
- [ITU-T G.8275] Recommendation ITU-T G.8275/Y.1369 (2020), *Architecture and requirements for packet-based time and phase distribution.*
- [IEEE 802.3] IEEE 802.3-2022, *IEEE standard for Ethernet.*

[IEEE 1588]	Either [IEEE 1588-2008] or [IEEE 1588-2019] depending on the specific implementation. See clause 5, Conventions, for more details.
[IEEE 1588-2008]	IEEE 1588-2008, <i>IEEE Standard for a Precision Clock Synchronization Protocol for Networked Measurement and Control Systems</i> .
[IEEE 1588-2019]	IEEE 1588-2019, <i>IEEE Standard for a Precision Clock Synchronization Protocol for Networked Measurement and Control Systems</i> .

### 3 Definitions

#### 3.1 Terms defined elsewhere

This Recommendation uses the terms and definitions contained in [ITU-T G.810] and [ITU-T G.8260].

#### 3.2 Terms defined in this Recommendation

None.

### 4 Abbreviations and acronyms

This Recommendation uses the following abbreviations and acronyms:

1 PPS                      One Pulse Per Second

cnPRTC	Coherent Network PRTC
CPRI	Common Public Radio Interface
CU	Centralized Unit
DSLAM	Digital Subscriber Line Access Multiplexer
DU	Distributed Unit
EEC	Ethernet Equipment Clock
ePRTC	Enhanced PRTC
FTS	Full Timing Support
GNSS	Global Navigation Satellite System
GPON	Gigabit-capable Passive Optical Network
HA-TT	High Accuracy Time Transfer
HRM	Hypothetical Reference Model
MTIE	Maximum Time Interval Error
OLT	Optical Line Terminal
ONT	Optical Network Terminal
OTN	Optical Transport Network
PHY	Physical layer
PLL	Phase-Locked Loop
<del>PPS</del>	<del>Pulse Per Second</del>
PRC	Primary Reference Clock
PRTC	Primary Reference Time Clock



PRTC-A	PRTC Class A
PRTC-B	PRTC Class B
PTP	Precision Time Protocol
RE	Radio Equipment
REC	Radio Equipment Control
RT-DSLAM	Remote Terminal-Digital Subscriber Line Access Multiplexer
RU	Radio Unit
SDH	Synchronous Digital Hierarchy
SSM	Synchronization Status Message
SSU	Synchronization Supply Unit
SyncE	Synchronous Ethernet
TAE	Time Alignment Error
T-BC	Telecom Boundary Clock
TDD	Time Division Duplex
TDEV	Time Deviation
TE	Time Error
T-GM	Telecom Grandm-Master
ToD	Time of Day
T-TC	Telecom Transparent Clock
T-TSC	Telecom Time <del>Slave</del> - <u>Synchronous</u> Clock
UTC	Co-ordinated Universal Time
xDSL	x-type Digital Subscriber Line
xPON	x Passive Optical Network

## 5 Conventions

Within this Recommendation, the following conventions are used: the term precision time protocol (PTP) refers to the PTP protocol defined in [IEEE 1588].

Within this Recommendation, some requirements are stated as requiring compliance to [IEEE 1588]. For implementations based on [IEEE 1588-2008], the reference to [IEEE 1588] means compliance to [IEEE 1588-2008]. For implementations based on [IEEE 1588-2019], the reference to [IEEE 1588] means compliance to [IEEE 1588-2019].

The terms dynamic time error (TE) and time noise are used interchangeably throughout this Recommendation to indicate jitter and wander components of the timing signal.

## 6 Network reference model

The general network reference model is described in [ITU-T G.8271].

## 7 Network limits

The following main (i.e., worst case) scenarios have been identified and are considered in the definition of the relevant network limits:

- deployment case 1: time distribution chain with ~~Telecom Time Synchronous Clock~~ (T-TSC) integrated into the end application and end application with a distributed architecture.

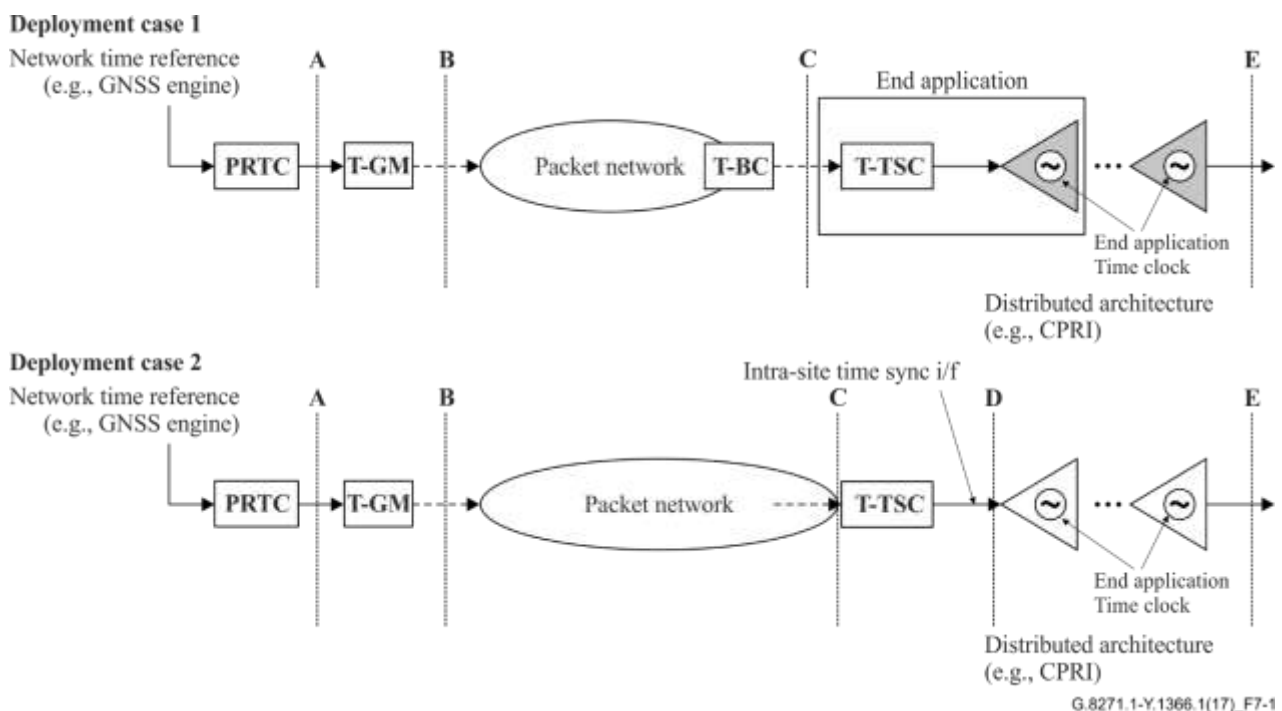
In this case, the performance specification of the T-TSC is outside the scope of [ITU-T G.8273.2].

- deployment case 2: time distribution chain with a T-TSC external to the end application and end application with a distributed architecture.

NOTE – A specific equipment implementation may also be based on implementing a telecom boundary clock (T-BC) function (instead of a T-TSC function) and delivering the phase/time reference to the end application via a phase/time synchronization distribution interface.

In this case, the performance specification of the T-TSC is defined in [ITU-T G.8273.2].

The deployment cases are shown in Figure 7-1.



**Figure 7-1 – Time synchronization deployment cases**

NOTE 1 – An example of distributed architecture is the case of mobile applications where the base stations have the base band unit [also called radio equipment control (REC)] connected remotely to the radio units [also called radio equipment (RE)].

NOTE 2 – For the purposes of developing the network limits in this Recommendation, a point-to-point connection (e.g., via fibre) is considered in the distributed architecture of the end application. The TE budget applicable to this end application is assumed to be 150 ns in the example time error budget (see Appendix V). It is also possible to use a chain topology; the details on the chain topology are for further study.

NOTE 3 – As an alternative, a fronthaul network using full timing support can be implemented as part of this end application to distribute time from the REC to the RE. The topology of the network and applicable network limits at the relevant reference points are for further study.

NOTE 4 – The network limit applicable at reference point E is defined by the specific application as per Table 1 of [ITU-T G.8271]. The applications corresponding to the class 4 ( $\pm 1.5$  microseconds) and class 6A, according to Table 1 of [ITU-T G.8271] are currently considered in this Recommendation.

NOTE 5 – The above scenarios contain a single full timing support (FTS) synchronization network segment. Network limits for deployments containing multiple synchronization network segments connected via synchronization interworking functions are for further study, see [ITU-T G.8260].

## 7.1 Network limits at reference point A

The network limits applicable at reference point A, i.e., at the output of the primary reference time clock (PRTC), are specified in [ITU-T G.8272]. In particular, according to [ITU-T G.8272], the maximum absolute TE is:

$$\max|TE| \leq 100 \text{ ns}$$

NOTE – This limit is applicable under normal, locked operating conditions. The limit under failure conditions at the PRTC is for further study.

Dynamic TE network limits applicable at reference point A are also specified in [ITU-T G.8272].

## 7.2 Network limits at reference point B

In the case of a telecom grand-master (T-GM) integrated into the PRTC, the network limits applicable at reference point B are the same as the limits applicable at reference point A.

In the case of a T-GM external to the PRTC, the network limits applicable at reference point B are for further study.

## 7.3 Network limits at reference point C

### 7.3.1 Regular network limits at reference point C

The limits given in this clause represent the maximum permissible levels of phase/time error and noise at interfaces within a packet network in charge of distributing phase/time synchronization according to the applications corresponding to class 4 listed in Table 1 of [ITU-T G.8271].

The limits applicable to other classes at the reference point C are for further study.

The noise generated by a chain of T-BC or telecom transparent clock (T-TC) is characterized by two main aspects:

- 1) the constant TE produced by the chain, e.g., due to various fixed and uncompensated asymmetries (including the PRTC);
- 2) the dynamic TE produced by the various components of the chain (including the PRTC) – this noise can be classified as low or high frequency noise, with components below or above 0.1 Hz, respectively.

The network limits applicable at reference point C are expressed in terms of two quantities:

- 1) the maximum absolute TE:  $\max |TE|$ , which includes the constant TE and the low frequency components of the dynamic TE;
- 2) a suitable metric applied to the dynamic TE component (in particular, maximum time interval error (MTIE) and time deviation (TDEV) are used to measure noise components with frequencies lower than 0.1 Hz, and peak-to-peak TE is used for measuring noise components with frequency higher than 0.1 Hz).

The limits given in the following shall be met for all operating conditions (except during PTP rearrangements and long holdover conditions in the network and during both PTP and the physical layer (PHY) frequency rearrangements conditions that are for further study; see also examples in Appendix V), regardless of the amount of equipment preceding the interface. In general, these network limits are compatible with the minimum tolerance to TE and noise that all equipment input ports are required to provide. Further guidance about how to design a phase/time distribution network is provided in Appendix V.

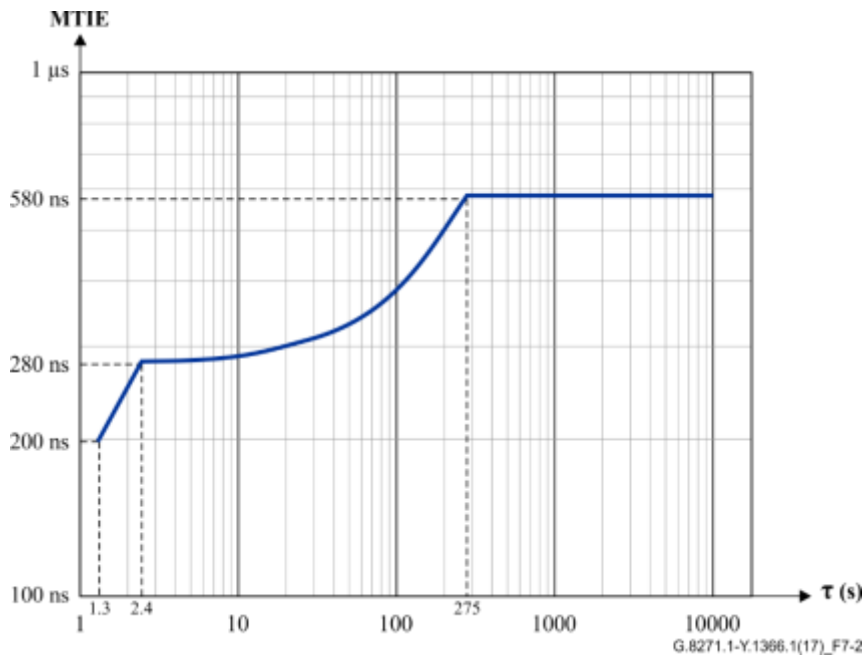
For deployment case 1, the network limits applicable at reference point C are:

- maximum absolute low-pass filtered TE network limit,  $\max|TE_L| \leq 100 \text{ ns}$ ;

- The network limit for dynamic low frequency TE,  $dTE_L(t)$ , is specified in terms of MTIE presented in Table 7-1 and Figure 7-2. The specification in terms of TDEV is for further study.

**Table 7-1 – Dynamic time error network limit expressed in MTIE**

MTIE limit (ns)	Observation interval, $\tau$ (s)
$100 + 75\tau$	$1.3 < \tau \leq 2.4$
$277 + 1.1\tau$	$2.4 < \tau \leq 275$
580	$275 < \tau \leq 10\,000$



**Figure 7-2 – Dynamic time error network limit (MTIE)**

A first-order low-pass measurement filter with bandwidth of 0.1 Hz is applied to the TE samples measured at the packet timing interface prior to evaluating the  $\max|TE_L|$ , MTIE and TDEV. Network limits measurements performed on the 1 pulse per second (PPS) test output should also perform a similar filtering on the 1 PPS signal.

Additional details on the test equipment characteristics and measurement period are also for further study.

NOTE – The above MTIE specification is the result of a number of conservative assumptions that, in theory, may lead to a dynamic component with  $\max|TE_L|$  greater than 300 ns and frequency components less than 0.1 Hz. However, the related dynamic noise component has been demonstrated to have  $\max|TE_L|$  that is always less than 300 ns under the assumptions made in this Recommendation and other related Recommendations, e.g., [ITU-T G.8273.2].

The following requirement applies for frequency components higher than 0.1 Hz (a first-order high-pass filter with bandwidth of 0.1 Hz should be applied to the TE samples measured at the packet timing interface or to the 1 PPS signal), as measured over a 10 000 s interval:

- peak-to-peak  $dTE_H(t)$  amplitude  $< 200$  ns

For deployment case 2, the network limits applicable at reference point C are for further study.

### 7.3.2 Enhanced network limits at reference point C

The limits given in this clause represent the maximum permissible levels of phase/time error and noise at interfaces within a packet network in charge of distributing phase/time synchronization according to the applications corresponding to class 4 listed in Table 1 of [ITU-T G.8271], and reflecting an enhanced synchronization network.

NOTE – the limits have been derived considering an HRM composed by a PRTC-A, followed by a chain of 20 class C (or better) clocks and enhanced physical layer network. These assumptions should not be considered as normative, but only as a possible way to meet the actual normative requirements. Other combinations of PRTC type and clock chain characteristics may be considered.

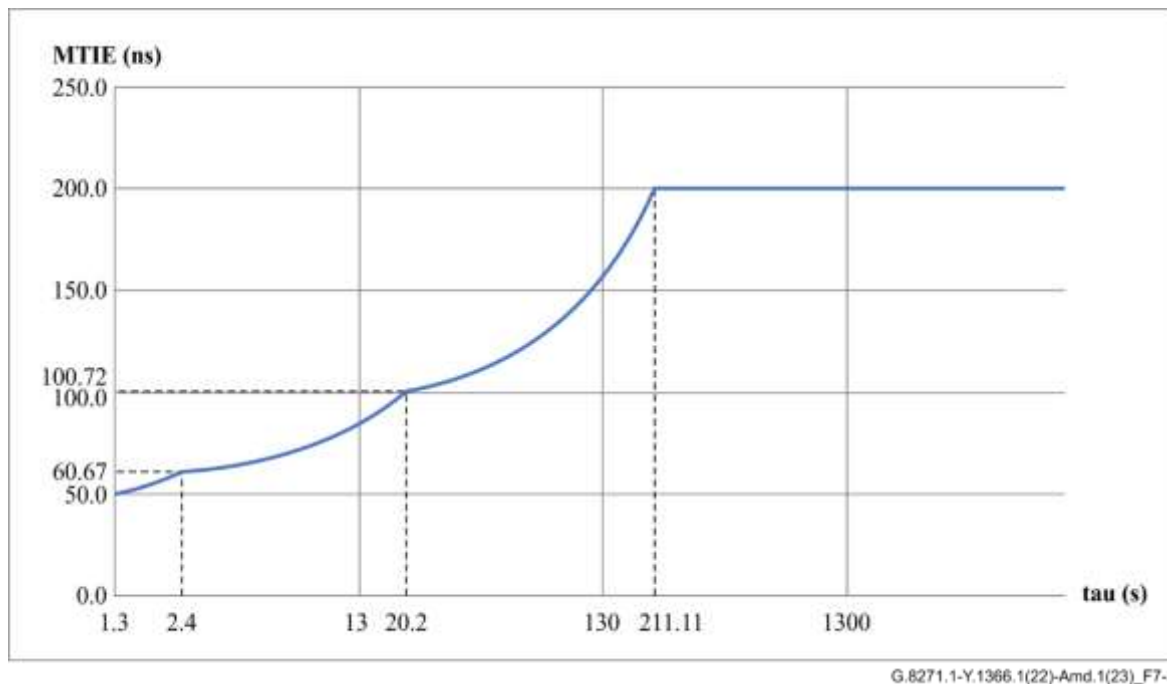
The limits given in the following shall be met for all operating conditions (except during PTP rearrangements and long holdover conditions in the network and during both PTP and the physical layer (PHY) frequency rearrangements conditions that are for further study; see also examples in Appendix V), regardless of the amount of equipment preceding the interface. In general, these network limits are compatible with the minimum tolerance to TE and noise that all equipment input ports are required to provide. Further guidance about how to design a phase/time distribution network is provided in Appendix V.

For deployment case 1, the network limits applicable at reference point C are:

- Maximum absolute low-pass filtered TE network limit,  $\max|TE_L|$  are for further study;
- The network limit for dynamic low frequency TE,  $dTE_L(t)$ , is specified in terms of MTIE presented in Table 7-2 and Figure 7-3. The specification in terms of TDEV is for further study.

**Table 7-2 – Dynamic time error network limit expressed in MTIE**

<u>MTIE limit (ns)</u>	<u>Observation interval, <math>\tau</math> (s)</u>
<u><math>37.39 + 9.7\tau</math></u>	<u><math>1.3 &lt; \tau &lt; 2.4</math></u>
<u><math>55.27 + 2.25\tau</math></u>	<u><math>2.4 &lt; \tau \leq 20.2</math></u>
<u><math>90.22 + 0.52\tau</math></u>	<u><math>20.2 &lt; \tau \leq 211.11</math></u>
<u>200</u>	<u><math>211.11 &lt; \tau \leq 10\ 000</math></u>



G.8271.1-Y.1366.1(22)-Amd.1(23)\_F7-3

**Figure 7-3 – Dynamic time error network limit (MTIE), enhanced network limits**

A first-order low-pass measurement filter with bandwidth of 0.1 Hz is applied to the TE samples measured at the packet timing interface prior to evaluating the  $\max|TE_L|$ , MTIE and TDEV. Network limits measurements performed on the 1 pulse per second (PPS) test output should also perform a similar filtering on the 1 PPS signal.

Additional details on the test equipment characteristics and measurement period are also for further study.

The following requirement applies for frequency components higher than 0.1 Hz (a first-order high-pass filter with bandwidth of 0.1 Hz should be applied to the TE samples measured at the packet timing interface or to the 1 PPS signal), as measured over a 10 000 s interval:

- peak-to-peak  $dTE_H(t)$  amplitude < 50 ns.

For deployment case 2, the network limits applicable at reference point C are for further study.

### **7.3.3 Network limits for accurate time transfer with a PRTC deployed in the access network**

The limits given in this clause represent the maximum permissible levels of phase/time error and noise at interfaces within a packet network in charge of distributing phase/time synchronization for applications with requirements up to accuracy level 6A listed in Table 2 of [ITU-T G.8271].

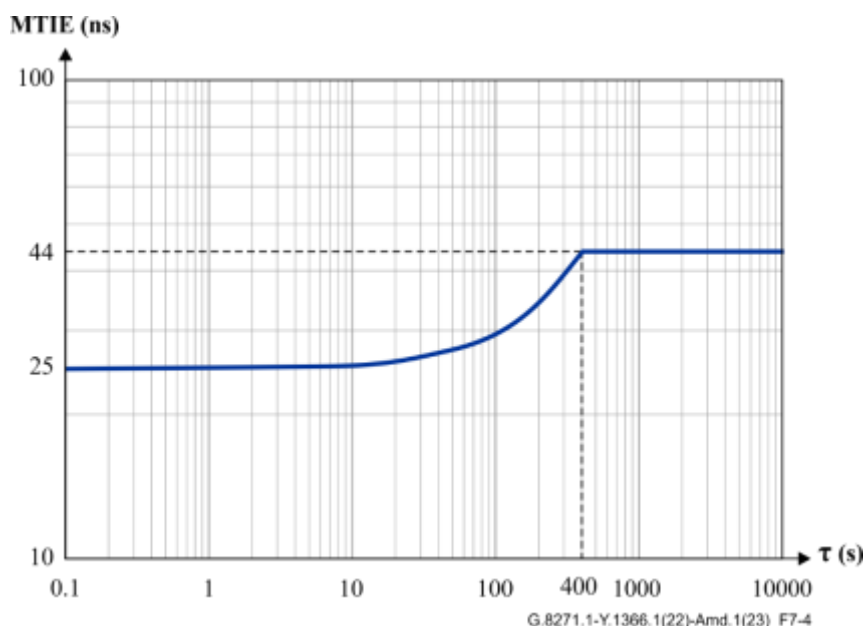
These limits are applicable in short clock chains (typically for cases with the PRTC deployed in the access network) and excluding transients due to synchronization re-arrangements and holdover scenarios.

For deployment case 1, the network limits applicable at reference point C are:

- Maximum absolute low-pass filtered TE network limit,  $\max|TE_L| \leq 100$  ns;
- The network limit for dynamic low frequency TE,  $dTE_L(t)$ , is specified in terms of MTIE presented in Table 7-3 and Figure 7-4. The specification in terms of TDEV is for further study.

**Table 7-3 – Dynamic time error network limit expressed in MTIE**

<u>MTIE limit (ns)</u>	<u>Observation interval, <math>\tau</math> (s)</u>
<u><math>0.0475\tau + 25</math></u>	<u><math>1 &lt; \tau &lt; 400</math></u>
<u>44</u>	<u><math>400 &lt; \tau \leq 10\,000</math></u>



**Figure 7-4 – Dynamic time error network limit (MTIE)**

A first-order low-pass measurement filter with bandwidth of 0.1 Hz is applied to the TE samples measured at the packet timing interface prior to evaluating the  $\max|TE_L|$ , MTIE and TDEV. Network limit measurements performed on the 1 pulse per second (PPS) test output should also perform a similar filtering on the 1 PPS signal.

Additional details on the test equipment characteristics and measurement period are also for further study.

The following requirement applies for frequency components higher than 0.1 Hz (a first order high pass filter with bandwidth of 0.1 Hz should be applied to the TE samples measured at the packet timing interface or to the 1 PPS signal), as measured over a 10 000 s interval:

- peak-to-peak  $dTE_H(t)$  amplitude  $< 70$  ns.

For deployment case 2, the network limits applicable at reference point C are for further study.

NOTE – The network limits in this clause have been defined considering the following assumptions:

With reference to the hypothetical reference model (HRM) shown in Figure II.6 of this Recommendation:

- A PRTC-B/T-GM is used (as defined in [ITU-T G.8272]), directly connected to the common T-BC.
- The maximum value of parameter  $M = 4$ .
- All T-BCs are Class C (as defined in [ITU-T G.8273.2]).

This corresponds to case 2b described in clause XII.6.

In case T-BC class B clocks are used, in order to meet the needs of applications corresponding to accuracy level 6A, the maximum value of  $M = 1$ .

These assumptions should not be considered as normative, but only as a possible way to meet the actual normative requirements. Other combinations of PRTC type and clock chain characteristics may be considered.

Concerning the assumption of using a PRTC-B instead of a PRTC-A, this could allow the cascading of a certain number of clocks while still meeting very accurate absolute time error at the input of the end application. This may, for instance, provide some indication, at the time of deploying the network, of the possibility of also meeting relative time error requirements (see clause XII.6). However, deploying PRTC-A in the access with a short clock chain is also a valid option. Even if the requirements in this clause are not met, the relevant relative time error requirements may still be met. In fact, these depend on the location of the nearest common T-BC, not on the use of PRTC-B vs. PRTC-A, see Figure II.6.

#### **7.4 Network limit at reference point D**

In deployment case 1, reference point D might not be accessible. The network limits at point D are for further study.

In deployment case 2, the network limits applicable at reference point D are the same as specified in clause 7.3.1 for deployment case 1, reference point C. The network limits at reference point D related to clauses 7.3.2 and 7.3.3 are for further study.

#### **~~7.5 Network limits for accurate time transfer with a PRTC deployed in the access network~~**

~~The limits given in this clause represent the maximum permissible levels of phase/time error and noise at interfaces within a packet network in charge of distributing phase/time synchronization for applications with requirements up to accuracy level 6A listed in Table 2 of [ITU-T G.8271].~~

~~These limits are applicable in short clock chains (typically for cases with the PRTC deployed in the access network) and excluding transients due to synchronization re-arrangements and holdover scenarios.~~

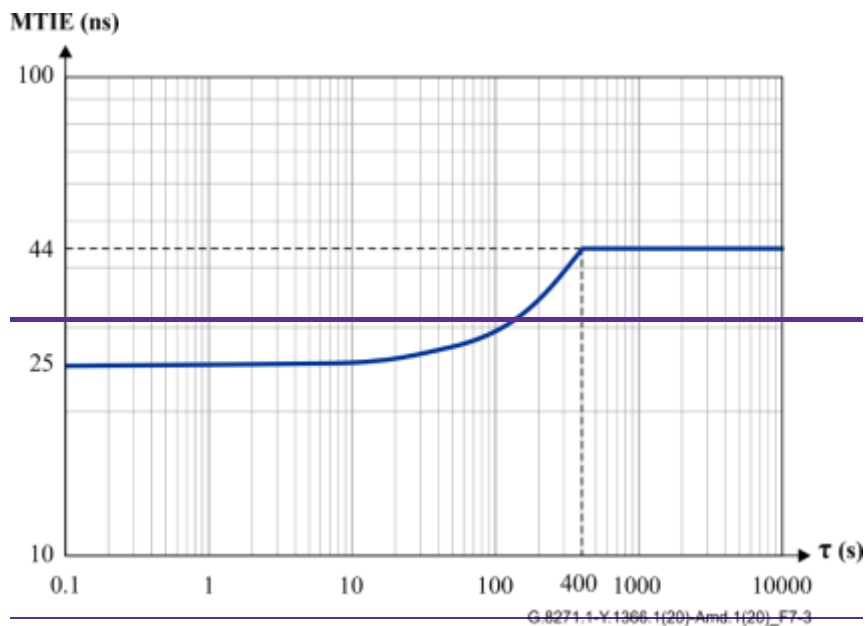
~~For deployment case 1, the network limits applicable at reference point C are:~~

- ~~—— maximum absolute low pass filtered TE network limit,  $\max|TE_L| \leq 100$  ns;~~
- ~~—— The network limit for dynamic low frequency TE,  $dTE_L(t)$ , is specified in terms of MTIE presented in Table 7-2 and Figure 7-3. The specification in terms of TDEV is for further study.~~

**~~Table 7-2 Dynamic time error network limit expressed in MTIE~~**

<b><del>MTIE limit (ns)</del></b>	<b><del>Observation interval, <math>\tau</math> (s)</del></b>
<del><math>0.0475\tau + 25</math></del>	<del><math>1 &lt; \tau &lt; 400</math></del>
<del>44</del>	<del><math>400 &lt; \tau \leq 10\,000</math></del>





**Figure 7-3—Dynamic time error network limit (MTIE)**

A first order low pass measurement filter with bandwidth of 0.1 Hz is applied to the TE samples measured at the packet timing interface prior to evaluating the  $\max|TE_L|$ , MTIE and TDEV. Network limit measurements performed on the 1 pulse per second (PPS) test output should also perform a similar filtering on the 1 PPS signal.

Additional details on the test equipment characteristics and measurement period are also for further study.

The following requirement applies for frequency components higher than 0.1 Hz (a first order high pass filter with bandwidth of 0.1 Hz should be applied to the TE samples measured at the packet timing interface or to the 1 PPS signal), as measured over a 10 000 s interval:

— peak to peak  $dTE_H(t)$  amplitude < 70 ns

For deployment case 2, the network limits applicable at reference point C are for further study.

NOTE—The network limits in this clause have been defined considering the following assumptions:

With reference to the hypothetical reference model (HRM) shown in Figure II.6 of this Recommendation:

— A PRTC B/T-GM is used (as defined in [ITU-T G.8272]), directly connected to the common T-BC

— The maximum value of parameter  $M = 4$

— All T-BCs are Class C (as defined in [ITU-T G.8273.2])

This corresponds to case 2b described in clause XII.6.

In case T-BC class B clocks are used, in order to meet the needs of applications corresponding to accuracy level 6A, the maximum value of  $M = 1$ .

These assumptions should not be considered as normative, but only as a possible way to meet the actual normative requirements. Other combinations of PRTC type and clock chain characteristics may be considered.

Concerning the assumption of using a PRTC B instead of a PRTC A, this could allow the cascading of a certain number of clocks while still meeting very accurate absolute time error at the input of the end application. This may, for instance, provide some indication, at the time of deploying the network, of the possibility of also meeting relative time error requirements (see clause XII.6). However,

~~deploying PRTC A in the access with a short clock chain is also a valid option. Even if the requirements in this clause are not met, the relevant relative time error requirements may still be met. In fact, these depend on the location of the nearest common T-BC, not on the use of PRTC B vs. PRTC A, see Figure II.6.~~

## 8 High-accuracy time transfer

### 8.1 Introduction

High-accuracy time transfer (HA-TT) refers to the delivery of accurate timing as specified in clause 8.2. It involves links dedicated to the delivery of synchronization. The actual techniques used to achieve this level of performance are outside the scope of this Recommendation; further information is provided in Appendix XIII.

Example use-cases for HA-TT are to provide reference signals for separate measurements to supervise functions like an enhanced PRTC (ePRTC) or a coherent network PRTC (cnPRTC) clock combiner, or to connect cnPRTC clock combiners to build up a meshed network cnPRTC architecture. Further details on the cnPRTC architecture can be found in Appendix VI of [ITU-T G.8275].

The HA-TT reference chain consists of a point-to-point time transfer connection up to 800 km with the following elements:

- A pair of HA-TT sources and HA-TT sinks, supporting a specific technology and related [calibration-compensation](#) method.
- Bidirectional time transfer over cascaded single fiber between source and sink, for example according to [ITU-T G.652].

For further details, please refer to Appendix XIII.

### 8.2 Performance requirements

The limits given in this clause represent the maximum permissible levels of phase/time error and noise for HA-TT. They are expressed in terms of  $\max|TE_L|$ , MTIE and TDEV.

The limits are related to performance from the ingress of HA-TT-Source to the egress of HA-TT-Sink. Two performance classes are specified, classes A and B.

NOTE – To reach performance as specified, it may be needed to measure chromatic dispersion of the optical fibre, and to compensate accordingly. For further details, please refer to Appendix XIII.

The maximum absolute time error ( $\max|TE_L|$ ), MTIE and TDEV are measured through a first-order low-pass filter with a bandwidth of 0.1 Hz.  $\max|TE_L|$  is shown in Table 8-1. MTIE limits are shown in Table 8-2 for class A, and Table 8-4 for class B. TDEV limits are shown in Table 8-3 for class A, and Table 8-5 for class B.

**Table 8-1 – Maximum absolute time error low-pass filtered  
( $\max|TE_L|$ )**

High-accuracy time transfer class	Maximum absolute time error – $\max TE_L $ (ns)
A	5 ns
B	1 ns

**Table 8-2 – Class A dynamic time error network limit  
expressed in MTIE**

<b>MTIE limit (ns)</b>	<b>Observation interval <math>\tau</math> (s)</b>
$0.037880 \times \tau + 1.2120$	$1 < \tau \leq 100$
5	$100 < \tau \leq 10\,000\,000$

**Table 8-3 – Class A dynamic time error network limit  
expressed in TDEV**

<b>TDEV limit (ns)</b>	<b>Observation interval <math>\tau</math> (s)</b>
0.20	$1 < \tau \leq 100\,000$
For further study	$\tau > 100\,000$

**Table 8-4 – Class B dynamic time error network limit  
expressed in MTIE**

<b>MTIE limit (ns)</b>	<b>Observation interval <math>\tau</math> (s)</b>
$0.007576 \times \tau + 0.2424$	$1 < \tau \leq 100$
1	$100 < \tau \leq 10\,000\,000$

**Table 8-5 – Class B dynamic time error network limit  
expressed in TDEV**

<b>TDEV limit (ns)</b>	<b>Observation interval <math>\tau</math> (s)</b>
0.04	$1 < \tau \leq 100\,000$
For further study	$\tau > 100\,000$

# Appendix I

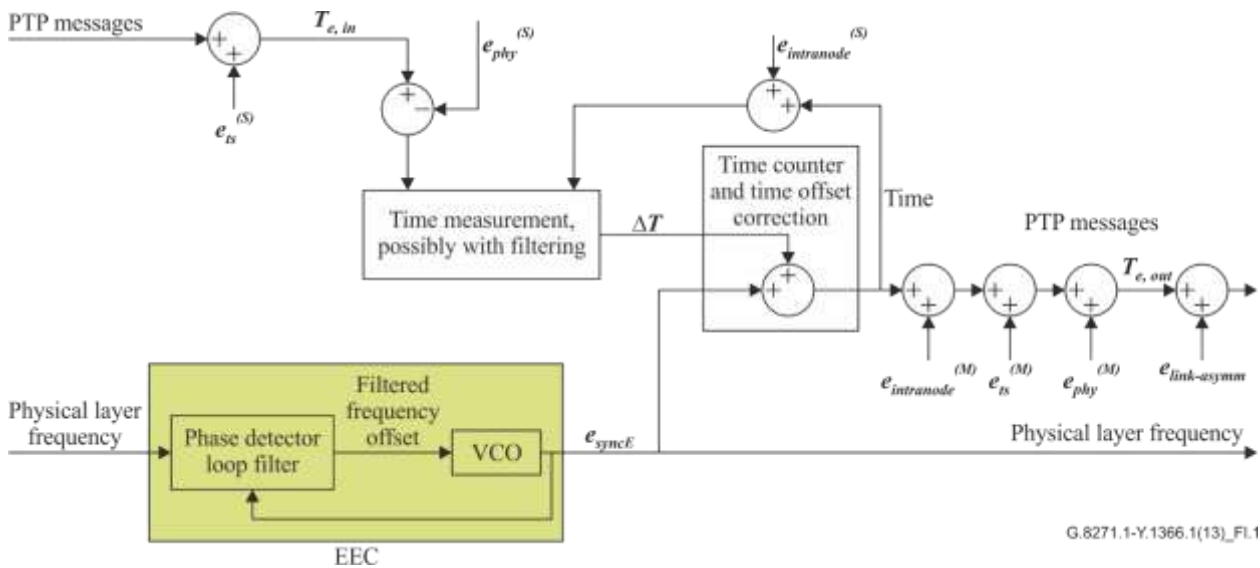
## Clock models for noise accumulation simulations

(This appendix does not form an integral part of this Recommendation.)

Simulations are needed to define limits on the various noise types described in [ITU-T G.8271]. To perform these simulations, a simulation model that shows how to simulate each noise type it introduces into the timing signal needs to be defined for each network element participating in the time distribution scheme.

### I.1 T-BC models for noise accumulation simulations

This clause describes T-BC models for simulating the transport of time using PTP and frequency using synchronous Ethernet and a T-BC model for simulating the transport of both time and frequency using PTP.



**Figure I.1 – Telecom boundary clock model for simulating the transport of time using PTP with synchronous Ethernet assistance**

Figure I.1 illustrates a model for simulating the transport of time using PTP with synchronous Ethernet assistance.

NOTE – This model, used for the evaluation of a worst-case noise accumulation when synchronous Ethernet is combined with PTP, may not be representative of all possible implementations.

The synchronous Ethernet equipment clock (EEC) block represents an EEC, as specified in [b-ITU-T G.8262]. The EEC input is a PHY frequency (i.e., a PHY signal that is used as a frequency reference), and its output is a local frequency (i.e., a PHY signal that has a frequency and is local to this node) that is optionally propagated to downstream nodes. The noise process,  $e_{syncE}$ , represents the synchronous Ethernet phase noise accumulation in the synchronous Ethernet hypothetical reference model (HRM) (see Appendix II).

The time counter (TC) is incremented by the nominal period of the output clock of the EEC block. For example, if the output clock rate is 125 MHz, then the time counter is incremented by 8 ns each rising edge of the synchronous Ethernet output clock. Upon reception and transmission of PTP event messages, the time counter is sampled. The difference between the actual transmission or reception time and the sampled value of the time counter is modelled as,  $e_{ts}$ , since the transmission or reception event can happen between two rising edges of this clock. The effect of  $e_{ts}$  on the timestamp for

reception of a PTP event message is shown added at the input, and the effect of  $e_{ts}$  on the timestamp for transmission of a PTP event message is shown added at the output.

The incoming PTP messages contain information that may be used to obtain an estimate of the grandmaster (i.e., PRTC) time. This estimate is not perfect; it contains errors introduced by the grandmaster, the upstream nodes, and upstream links. The error in the incoming estimate of the grandmaster time is represented by  $T_{e,in}$ . The noise process,  $e_{phy}$ , represents the effect of asymmetry and timestamp sampling uncertainty on the PHY of the input port. The PHY latency asymmetry may be present if timestamping is done at a point other than the reference plane (i.e., the interface between the PHY and the physical medium). Any latency between the point where timestamping actually is done and the reference plane may be compensated for within PTP. However, any uncompensated latencies that result in asymmetry will contribute to  $e_{phy}$ . The noise  $e_{phy}$  is subtracted from the timing information contained in the incoming PTP messages due to the direction of the time distribution (note that on the [master-timeTransmitter](#) port of the T-BC it is added). Note that the random process,  $e_{phy}$ , may have a static component and a time-varying component.

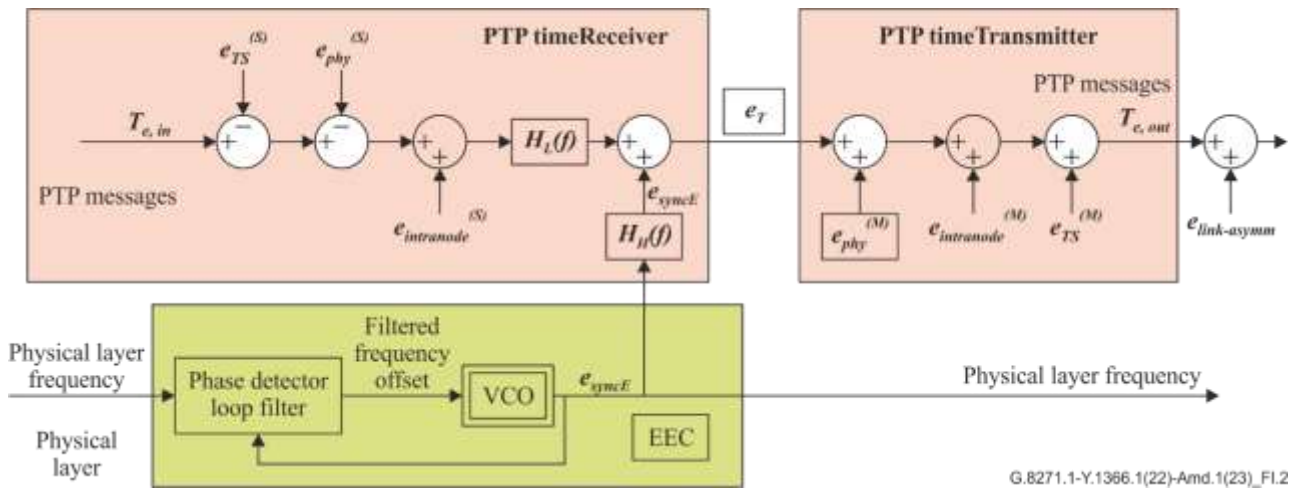
The timing information contained in the incoming PTP messages, with the noise due to asymmetry on the input port PHY,  $e_{phy}$ , and the timestamping error,  $e_{ts}$ , is input to the block labelled time measurement, possibly with filtering. This block compares the local time output of the local clock, which is the accumulation of the syncE phase noise,  $e_{syncE}$ , and the prior time offset correction,  $\Delta T$ , with the timing input that represents an estimate of the grandmaster time (with errors as described in the previous paragraph). This block produces the time offset correction,  $\Delta T$ , between the grandmaster time estimate and the local time. The time measurement block might provide filtering when computing the time offset correction, to reduce the effect of the short-term noise in the observed TE. The filtering characteristics are for further study.

The time counter and time offset correction block produces a local time output (i.e., the output labelled time). The input to the time counter and time offset correction block is the output of the EEC and the time offset correction of the time measurement block. The counter and time offset correction block may include a low-pass filtering function. This has the same effect as increasing the output frequency of the EEC block.

The local time is sampled upon transmission and reception of PTP event messages on [master-timeTransmitter](#) ports. The sampled value is the accumulation of the synchronous Ethernet phase noise,  $e_{syncE}$ , the timestamp error,  $e_{ts}$ , and the offset correction,  $\Delta T$ . The error due to asymmetry of the PHY on the output port,  $e_{phy}$ , is added to the sampled local time to produce the [master-timeTransmitter](#) port output TE,  $T_{e,out}$ . The quantity,  $T_{e,out}$ , is input to the next PTP node (T-BC or T-TSC) downstream via a link model.

Errors due to intranode transmission,  $e_{intranode}$ , and link asymmetry,  $e_{link-asymm}$ , must also be included. The former affects both the time correction and the T-BC output. The latter is shown added to the output of the T-BC.

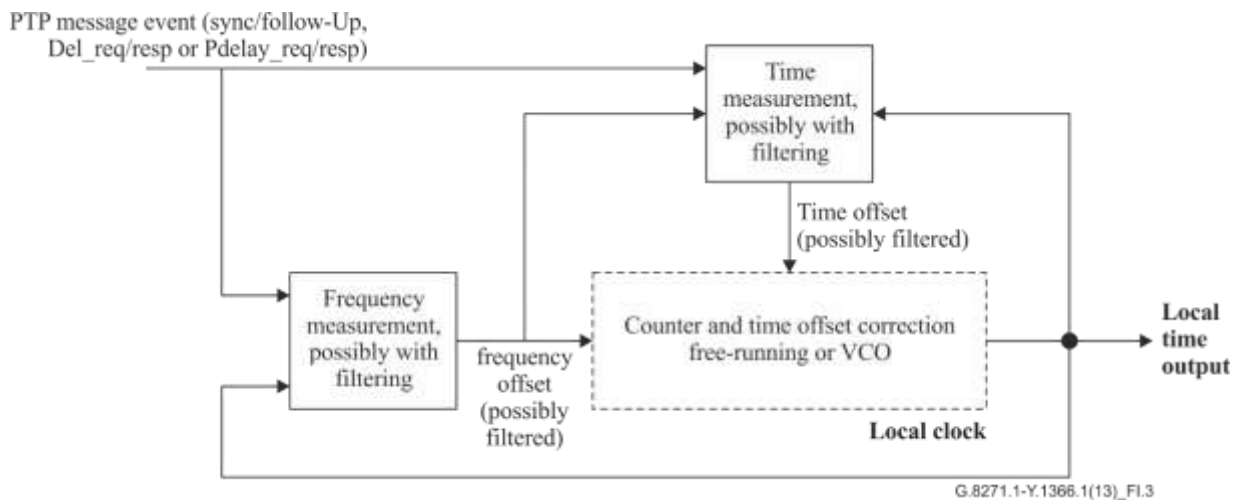
Figure I.2 describes an equivalent model suitable for analytical studies.



**Figure I.2 – Telecom boundary clock model for analytical studies of the transport of time using PTP with synchronous Ethernet assistance**

In Figure I.2 the slave-timeReceiver clock is assumed to have TE filtering indicated by the low-pass filter  $H_L(f)$ . The PHY clock noise experiences a high-pass characteristic,  $H_H(f)$ . When there is no TE filtering, the PHY clock introduces a TE corresponding to the wander ( $e_{syncE}$ ) that occurs between successive estimates of the time offset correction.

Figure I.3 depicts a model using PTP for time and frequency. The details for this model are for further study.



NOTE – The ingress and egress hardware timestamping need to be modelled and taken into account.

**Figure I.3 – Telecom boundary clock model using PTP for time and frequency**

In Figure I.3, note the following.

- PTP messages are used for both frequency and time measurements. The PTP messages are timestamps based on the local time output.
- The frequency measurement block uses PTP messages to make frequency measurements. For frequency measurements there are several possibilities (e.g., Sync or Pdelay\_req messages) and these are for further study. The frequency measurements could involve filtering and is for further study. The PTP messages are timestamps based on the local time output.
- The time measurement block uses PTP messages for computing a time offset; this block should consider sources of errors such as the effect of timestamping. The PTP messages are

timestamps based on the local time output. The time measurement block might provide filtering, for example, to reduce the effect of the error produced by the timestamping function. The filtering characteristics are for further study.

- The local clock block includes a counter to produce a local timebase output. The input into this block is a frequency measurement from the frequency measurement block and a time correction from the time measurement block. The ways in which these are used is for further study.

For the simulation model using PTP for time and frequency, it can be assumed that filtering is implemented in each boundary clock with a phase-locked loop (PLL)-based clock.

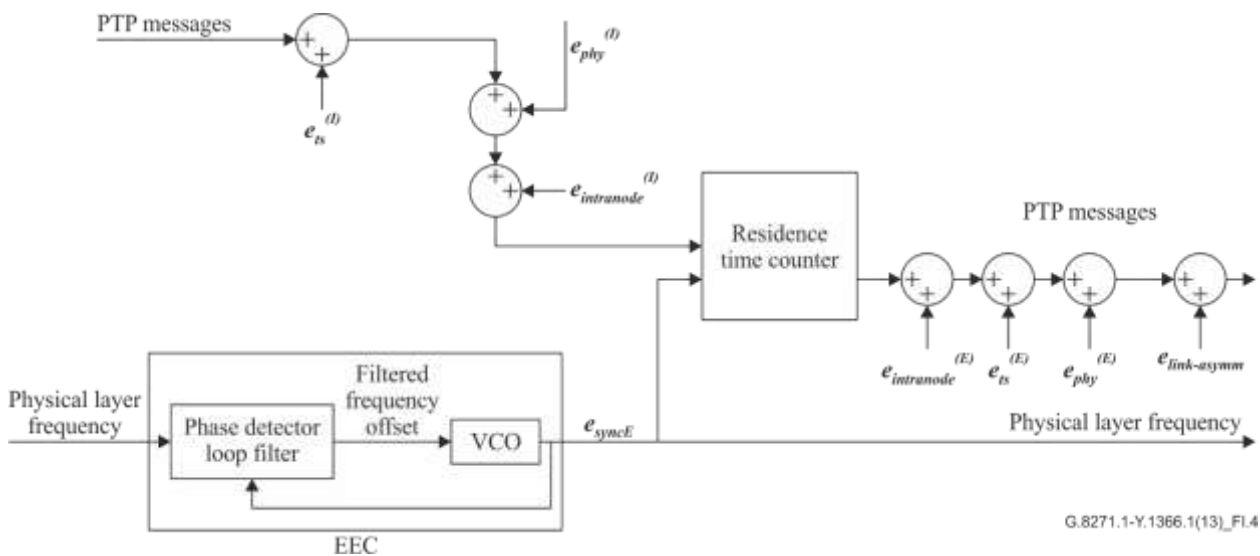
## I.2 End-to-end TC models for noise accumulation simulations

This clause describes models for simulating the noise added by a PTP transparent clock when using synchronous Ethernet or a free running local oscillator (see [IEEE 1588] for details on the transparent clock functions). The models for the case where PTP is the source for frequency reference are for further study.

Figure I.4 illustrates a model for simulating the transport of time using PTP with optional synchronous Ethernet assistance for the case of an end-to-end transparent clock.

NOTE 1 – This model, used for the evaluation of a worst-case noise accumulation when synchronous Ethernet is combined with PTP, may not be representative of all possible implementations.

NOTE 2 – This model accounts for the noise added by the end-to-end transparent clock to the PTP flow in one direction only. End-to-end transparent clocks operate independently of the PTP traffic flow direction.



**Figure I.4 – Telecom end-to-end transparent clock model for simulating the transport of time using PTP with synchronous Ethernet assistance**

The EEC block represents an EEC as specified in [b-ITU-T G.8262]. The EEC input is a PHY frequency (i.e., a PHY layer signal that is used as a frequency reference), and its output is a local frequency (i.e., a PHY layer signal that has a frequency and is local to this node) that is optionally propagated to downstream nodes. The noise process,  $e_{syncE}$ , represents the synchronous Ethernet phase noise accumulation in the synchronous Ethernet HRM (see Appendix II).

The residence time counter is incremented by the nominal period of the output clock of the EEC block. For example, if the output clock rate is 125 MHz, then the residence time counter is incremented by 8 ns each rising edge of the synchronous Ethernet output clock. Upon reception and transmission of PTP event messages, the residence time counter is sampled. The difference between

the actual transmission or reception time and the sampled value of the time counter is modelled as  $e_{ts}$ , since the transmission or reception event can happen between two rising edges of this clock. The effect of  $e_{ts}$  on the timestamp for reception of a PTP event message is added at the input, and the effect of  $e_{ts}$  on the timestamp for transmission of a PTP event message is added at the output. Note that  $e_{ts}$  for ingress and egress ports can be uncorrelated and can be of different polarity.

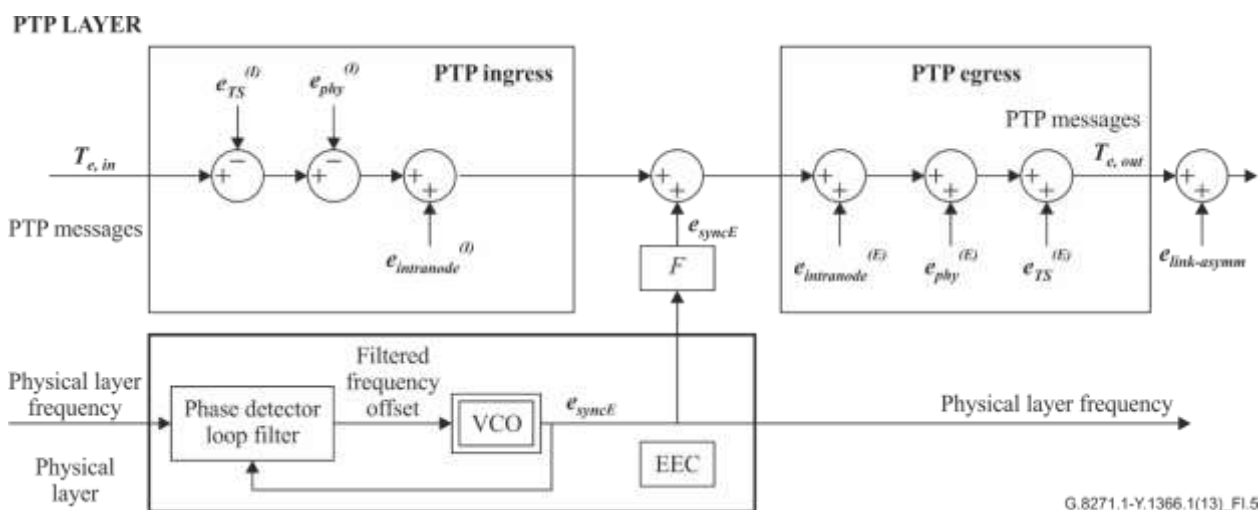
The noise process,  $e_{phy}$ , represents the effect of asymmetry and timestamp sampling uncertainty on the PHY. The PHY latency asymmetry may be present if timestamping is done at a point other than the reference plane (i.e., the interface between the PHY and the physical medium). Any latency between the point where timestamping actually is done and the reference plane may be compensated for within PTP. However, any uncompensated latencies that result in asymmetry will contribute to  $e_{phy}$ . The noise,  $e_{phy}$ , is added to the timing information contained in the incoming PTP messages. Note that the random process,  $e_{phy}$ , may have a static component and a time-varying component.

The residence time counter produces a residence time. The input to the residence time counter is the frequency output of the EEC and the ingress and egress time for the PTP event frame.

The residence time counter is sampled upon reception of PTP event messages on ports. The residence time counter will add the accumulation of the synchronous Ethernet phase noise,  $e_{syncE}$ , during the residence time.

Errors due to intranode transmission,  $e_{intranode}$ , and link asymmetry,  $e_{link-asymm}$ , must also be included. The latter is shown added to the output of the TC.

Figure I.5 is an equivalent model suitable for analytical studies.



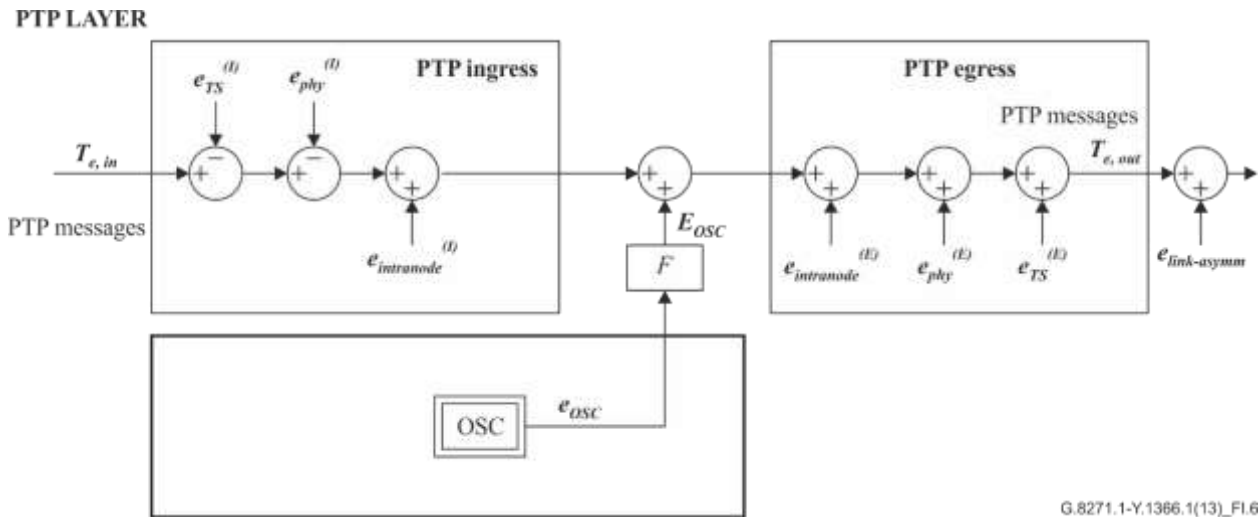
G.8271.1-Y.1366.1(13)\_FI.5

**Figure I.5 – Telecom transparent clock model for analytical studies of the transport of time using PTP with synchronous Ethernet assistance.**

In Figure I.5, the PHY clock introduces a TE corresponding to the wander ( $e_{syncE}$ ) that occurs between the ingress timestamp point and the egress timestamp point. This is equivalent to the time interval error over an observation interval equal to the packet's residence time. As a conservative approximation, this can be modelled as the change of the local clock's TE signal over the maximum allowed residence time  $R$ . In Figure I.5 this is indicated by the operator  $F$ .

The value of the maximum residence time,  $R$ , is for further study. The model for a TC using a free running oscillator to measure the residence time can be modelled using the same model with the EEC replaced with a model for a free running oscillator. This is shown in Figure I.6. For free-running oscillators that have a significant frequency offset, or for relatively large residence times, the error introduced may be dominated by this frequency offset.





**Figure I.6 – Telecom transparent clock model for analytical studies of the transport of time using PTP without synchronous Ethernet assistance**

The simulation model for an end-to-end transparent clock using PTP for frequency reference (synchronized transparent clock) is for further study.

## Appendix II

### Hypothetical reference models used to derive the network limits

(This appendix does not form an integral part of this Recommendation.)

#### II.1 HRM composed of T-BCs

The HRM models that are presented in clauses II.1.1 to II.1.3 are applicable to the network reference models defined in Figure 4 of [ITU-T G.8271] and Figure 7-1. This is essential to derive the network limits between points B and C when the packet network consists of network elements with T-BCs.

The purpose of these HRMs is to:

- establish reasonable worst-case network models for phase or time distribution using T-BCs;
- derive network limits and verify that they are consistent with performance requirements – some of the performance requirements are summarized in Table 1 of [ITU-T G.8271];
- construct end-to-end phase and TE budget.

To determine the network limits, the most important aspects that need to be considered when a reference network is constructed are those that influence the accumulation of phase and TE of a reference packet time signal that is transported, and some of these are as follows.

- Specification of individual clocks and their noise specifications. In this case, [b-ITU-T G.8273] shall be considered for the characteristics of the clock implemented in the T-BC. The model of the T-BC for noise accumulation simulations is described in Appendix I.
- The composition of a synchronization chain, cascade of clocks and ordering of clocks. This is defined by the related HRM.
- Other sources of errors besides the noise generated by clocks. These are described in Appendix I of [ITU-T G.8271].

The following HRMs are based on a shorter chain of 12 clocks and a longer chain of 22 clocks.

##### II.1.1 HRM without physical layer frequency support from the network

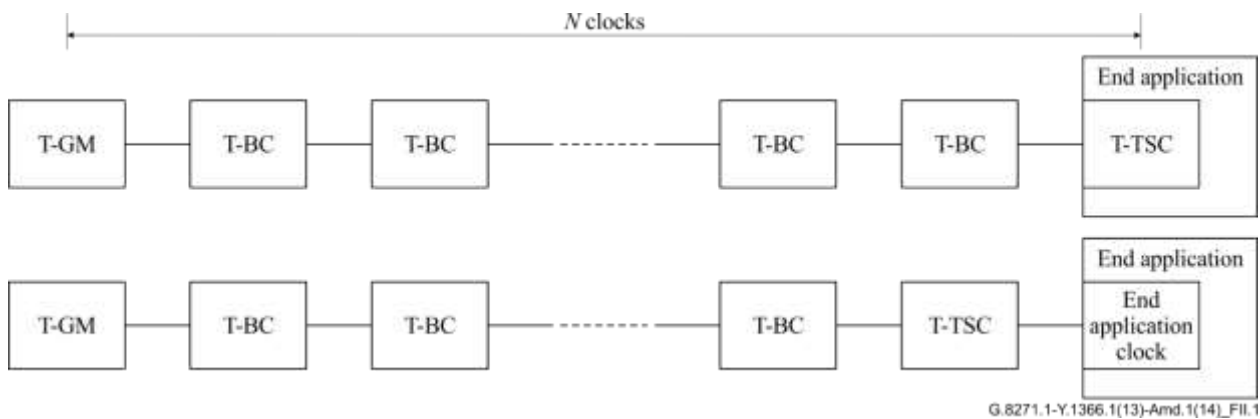
The reference chain in this clause shows a T-GM clock and a T-TSC interconnected by a number of T-BCs.

In this HRM-1 model, both frequency and time are transported via PTP. Both frequency and time follow the same synchronization path. The T-GM acts as both the source of frequency and time (e.g., the T-GM can receive its time and frequency from a global navigation satellite system (GNSS) receiver).

At the end of the chain, the phase/time reference is delivered to an end application (e.g., a mobile base station). Two cases are possible and are represented in Figure II.1:

- 1) the T-TSC is embedded in the end application;
- 2) the T-TSC is external to the end application, and delivers the phase/time reference to the end application via a phase/time synchronization distribution interface (e.g., a 1 PPS interface).

NOTE 1 – A specific equipment implementation may also be based on implementing a T-BC function (instead of a T-TSC function) and delivering the phase/time reference to the end application via a phase/time synchronization distribution interface.



**Figure II.1 – HRM-1 without physical layer frequency support**

The number of clocks,  $N$ , cascaded in the HRM-1 for the shorter chain is 12. It corresponds to:

- one T-GM, 10 T-BCs and one T-TSC for the case of a T-TSC embedded in the end application;
- one T-GM, nine T-BCs, one T-TSC and the end application clock for the case of a T-TSC external to the end application.

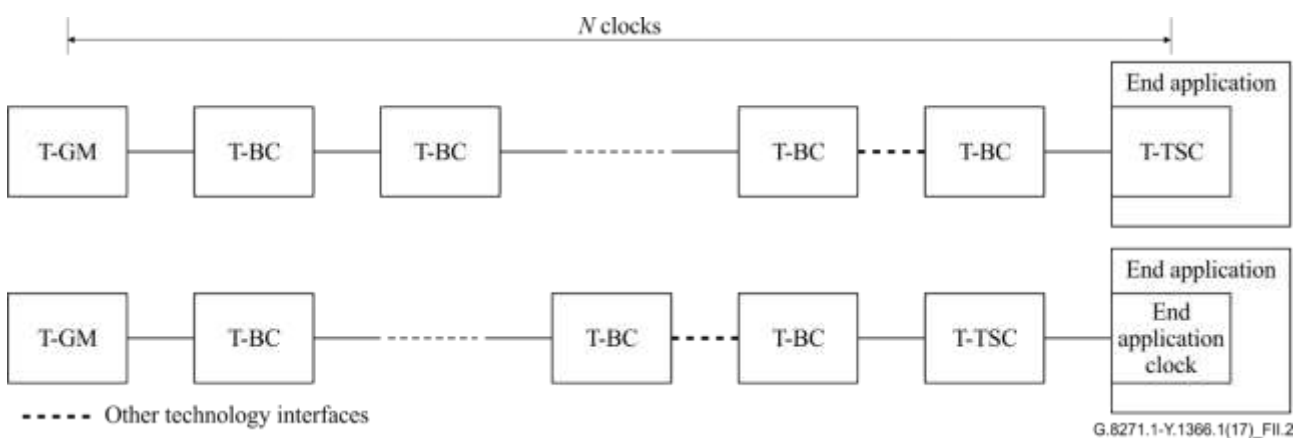
The number of clocks,  $N$ , cascaded in the HRM-1 for the longer chain is 22. It corresponds to:

- one T-GM, 20 T-BCs and one T-TSC for the case of a T-TSC embedded in the end application;
- one T-GM, 19 T-BCs, one T-TSC and the end application clock for the case of a T-TSC external to the end application.

NOTE 2 – Noise accumulation in networks without PHY frequency synchronization support is for further study.

The PHY connection between two T-BCs may not necessarily be Ethernet. For example, some T-BCs may be linked using microwave, x-type digital subscriber line (xDSL), x passive optical network (xPON) or optical transport network (OTN) technology. Such devices are called media converters.

Figure II.2 shows a variation of the HRM where some unnamed technology is used to connect two of the T-BCs, or the T-BC and the T-TSC. The clock specification for the T-BC should be independent of the PHY medium used for the connection.



**Figure II.2 – HRM-1, including some links using other technology interfaces**

Where media converters are used in the network, the number  $N$  is for further study.

## II.1.2 HRM with physical layer frequency support from the network

The reference chains in this clause represent the cases where phase/time is transported via PTP and frequency via synchronous digital hierarchy (SDH)/synchronous Ethernet.

NOTE 1 – The analysis has been done with a synchronous Ethernet network based on option 1 EECs (see [b-ITU-T G.8262]).

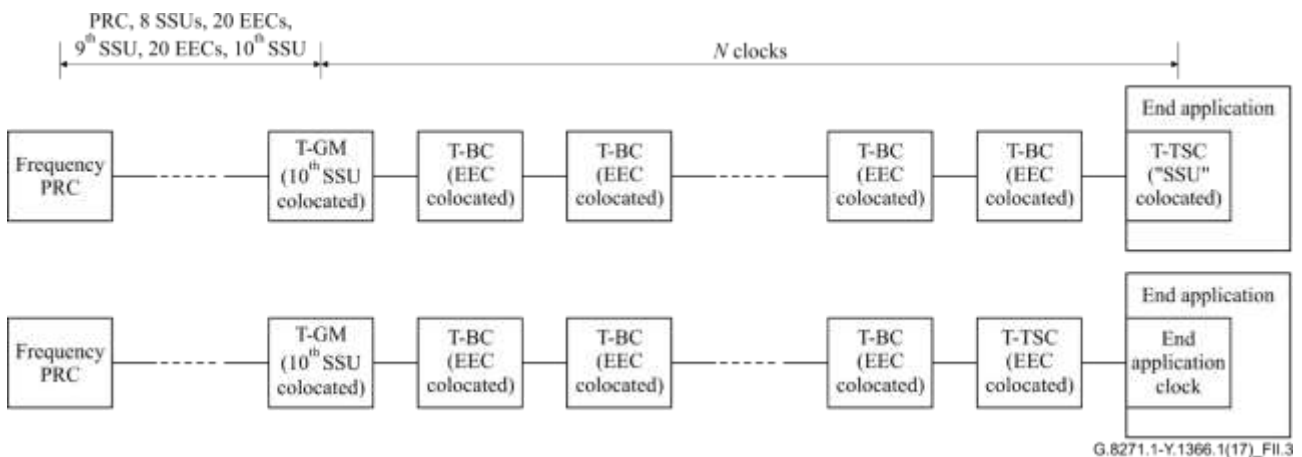
### Congruent scenario

In this HRM-2 model, both frequency and phase/time follow the same synchronization path.

At the end of the chain, the phase/time reference is delivered to an end application (e.g., a mobile base station). Two cases are possible and are represented in Figure II.3.

- 1) The T-TSC is embedded in the end application.
- 2) The T-TSC is external to the end application, and delivers the phase/time reference to the end application via a phase/time synchronization distribution interface (e.g., 1 PPS interface).

NOTE 2 – A specific equipment implementation may also be based on implementing a T-BC function (instead of a T-TSC function) and delivering the phase/time reference to the end application via a phase/time synchronization distribution interface.



**Figure II.3 – HRM-2 with physical layer frequency support – congruent scenario**

The number of clocks,  $N$ , cascaded in the HRM-2 for the shorter chain is 12. It corresponds to:

- one T-GM, 10 T-BCs and one T-TSC for the case of a T-TSC embedded in the end application;
- one T-GM, nine T-BCs, one T-TSC and the end application clock for the case of a T-TSC external to the end application.

The number of clocks,  $N$ , cascaded in the HRM-2 for the longer chain is 22. It corresponds to:

- one T-GM, 20 T-BCs and one T-TSC for the case of a T-TSC embedded in the end application;
- one T-GM, 19 T-BCs, one T-TSC and the end application clock for the case of a T-TSC external to the end application.

The following PHY frequency clocks are co-located with the PTP clocks:

- for the T-GM: a synchronization supply unit (SSU) supporting phase/time transport;
- for the T-BC: an EEC supporting phase/time transport;
- for the T-TSC external to the end application: an EEC supporting phase/time transport;

- for the T-TSC embedded in the end application: the clock supporting phase/time transport is for further study. The initial assumption is that this clock might be close to the characteristics of an SSU (e.g., equivalent type of oscillator, but some characteristics of the clock may be different, e.g., different bandwidth). For the purpose of the simulations, it is assumed that this clock is the only timing function of the end application (no other clock is cascaded after).

The SDH/synchronous Ethernet reference chain is a full ITU-T G.803 reference chain with the EECs as close to the end of the chain as possible: a primary reference clock (PRC), followed by 8 SSUs, followed by 20 EECs, followed by an SSU, followed by 20 EECs, followed by an SSU (co-located with the T-GM), followed by 9 EECs (each co-located with a T-BC) related to the shorter chain or 19 EECs (each co-located with a T-BC) related to the longer chain, followed by a final EEC (co-located with the T-TSC external to the end application or with a last T-BC). A final clock is at the end of the chain: either the "end application clock", or a clock co-located with the T-TSC embedded in the end application.

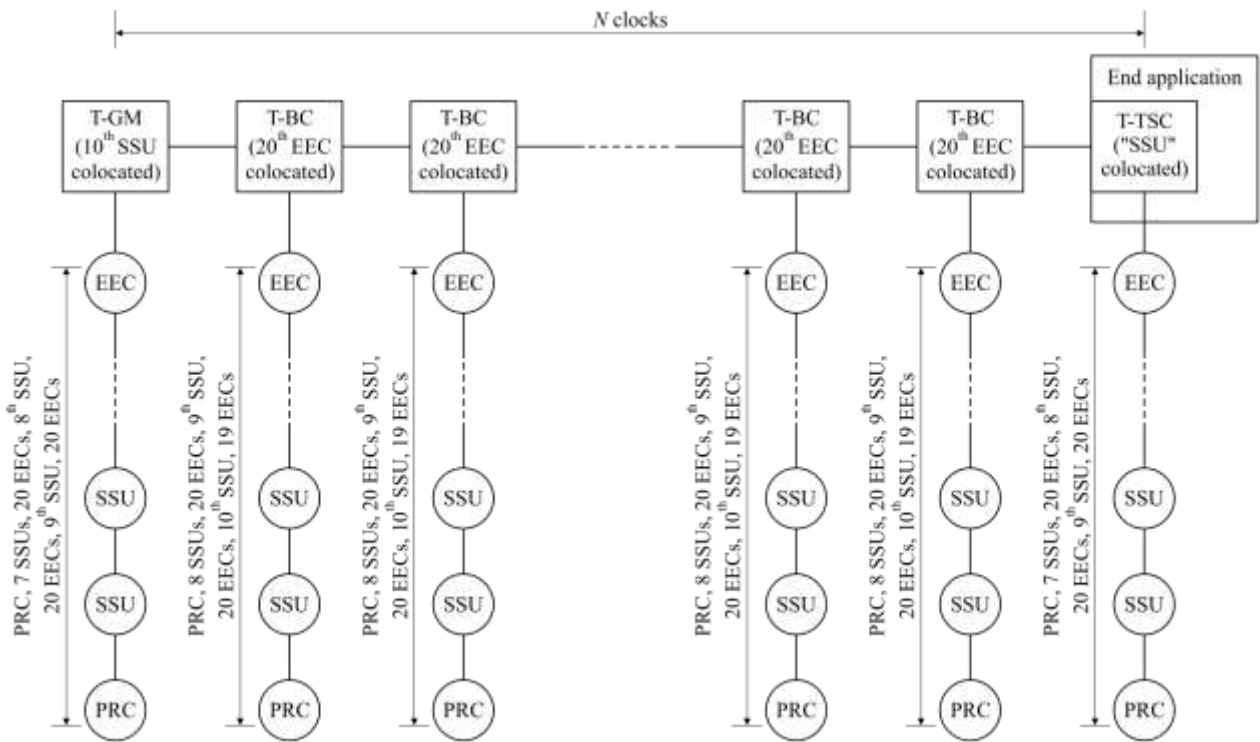
### **Non-congruent scenario**

In this HRM-3 model, phase/time and frequency synchronization follow different synchronization paths (i.e., phase/time is distributed horizontally and frequency vertically). This model is similar in spirit to Figure A.1 of [b-ITU-T G.823] and is used to represent a possible worst-case scenario when PTP and SDH/synchronous Ethernet are used.

At the end of the chain, the phase/time reference is delivered to an end application (e.g., a mobile base station). Two cases are possible and are represented in Figures II.4 and II.5:

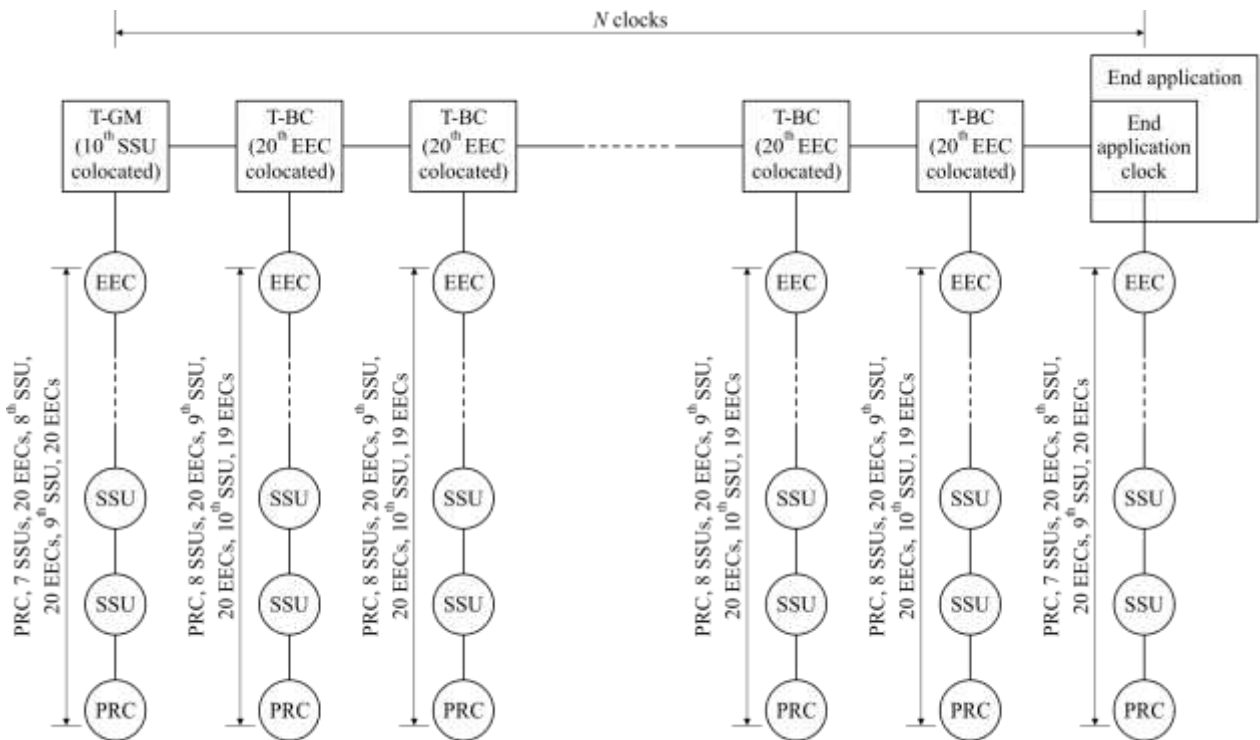
- 1) the T-TSC is embedded in the end application;
- 2) the T-TSC is external to the end application, and delivers the phase/time reference to the end application via a phase/time synchronization distribution interface (e.g., 1 PPS interface).

NOTE 3 – A specific equipment implementation may also be based on implementing a T-BC function (instead of a T-TSC function) and delivering the phase/time reference to the end application via a phase/time synchronization distribution interface.



G.8271.1-Y.1366.1(17)\_Fil.4

**Figure II.4 – HRM-3 with physical layer frequency support – non-congruent scenario, deployment case 1**



G.8271.1-Y.1366.1(17)\_Fil.5

**Figure II.5 – HRM-3 with physical layer frequency support – non-congruent scenario, deployment case 2**

The number of clocks,  $N$ , cascaded in the HRM-3 for the shorter chain is 12. It corresponds to:

- one T-GM, 10 T-BCs and one T-TSC for the case of a T-TSC embedded in the end application;

- one T-GM, nine T-BCs, one T-TSC and the end application clock for the case of a T-TSC external to the end application.

The number of clocks,  $N$ , cascaded in the HRM-3 for the longer chain is 22. It corresponds to:

- one T-GM, 20 T-BCs and one T-TSC for the case of a T-TSC embedded in the end application;
- one T-GM, 19 T-BCs, one T-TSC and the end application clock for the case of a T-TSC external to the end application.

The following PHY frequency clocks are co-located with the PTP clocks as follows.

- For the T-GM: an SSU supporting phase/time transport.
- For the T-BC: an EEC supporting phase/time transport.
- For the T-TSC external to the end application: an EEC supporting phase/time transport.
- For the T-TSC embedded in the end application: the clock supporting phase/time transport is for further study. The initial assumption is that this clock might be close to the characteristics of an SSU (e.g., equivalent type of oscillator, but some characteristics of the clock may be different, e.g., different bandwidth). For the purpose of the simulations, it is assumed that this clock is the only timing function of the end application (no other clock is cascaded after).

The SDH/synchronous Ethernet reference chain is a full ITU-T G.803 reference chain with the EECs as close to the end of the chain as possible (the final SSU may be at the end of the chain):

- for the PTP clocks supported by an EEC: a PRC, followed by 8 SSUs, followed by 20 EECs, followed by an SSU, followed by 20 EECs, followed by an SSU, followed by 19 EECs with the 20<sup>th</sup> EEC being integrated into the T-BC or T-TSC clock;
- for the PTP clocks supported by an SSU: a PRC, followed by 7 SSUs, followed by 20 EECs, followed by an SSU, followed by 20 EECs, followed by an SSU, followed by 20 EECs with the 10<sup>th</sup> SSU being integrated into the T-GM or T-TSC clock.

### II.1.3 HRM for cluster-based synchronization

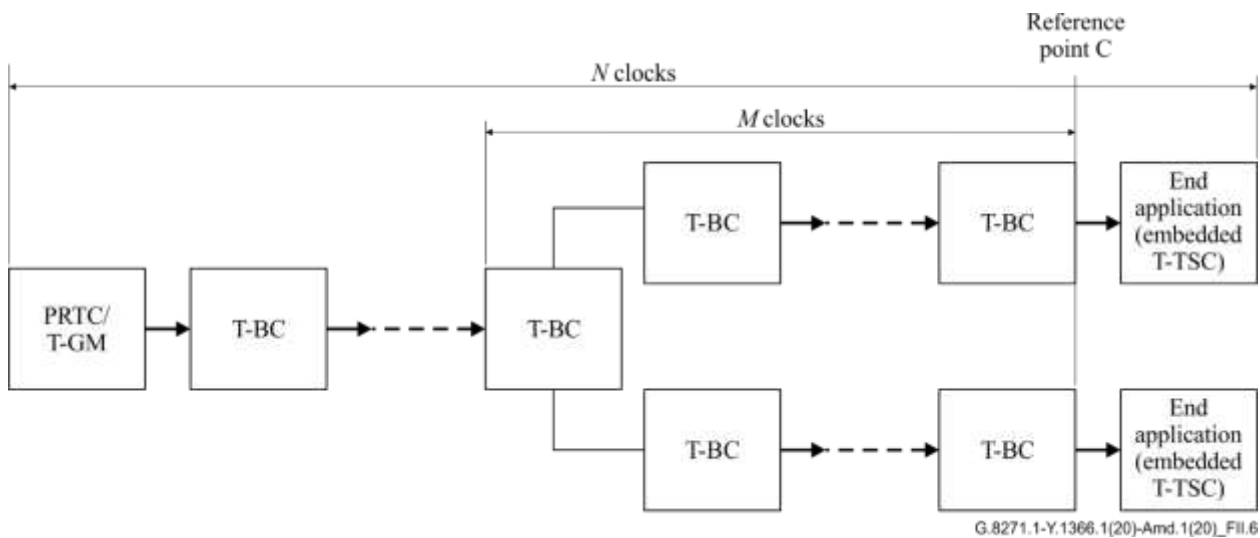
The reference chain in this clause shows a T-GM clock and a T-TSC interconnected by a number of T-BCs, as shown in Figure II.6. The reference chains are based on:

- a longer chain of  $N$  clocks including the T-GM, T-BCs and T-TSC representing both the segment of the reference chain that is common (shared by the base stations) and the segments of the reference chain near the base stations (that are not shared by these base stations);
- a shorter chain of up to  $M$  clocks including the last common T-BC and the segment of the reference chain for a specific base station (inside the base station cooperation cluster). The example in Figure II.6 shows two shorter chains, each of length  $M$ , inside the cluster.

The number of clocks  $N$  cascaded in the longer chain is independent from the number of clocks  $M$  cascaded in the shorter chain, where  $N > M$ .

As per Figure II.6:

- the common T-BC counts as 1 and the T-TSC is not included in the parameter  $M$ ,
- the T-GM, the T-BCs and the T-TSC each count as 1 in the parameter  $N$ .



**Figure II.6 – HRM-4 for cluster-based synchronization**

NOTE 1 – When physical layer frequency support is used, a synchronous equipment clock is integrated into the T-BC.

NOTE 2 – Figure II.6 only shows congruent distribution of the time and frequency signals, but both congruent and non-congruent distributions may be supported.

The number of clocks, N and M, are for further study.

The maximum number of clocks, M, cascaded in the shorter chain in the HRM depends upon the specific application as per Table 2 of [ITU-T G.8271].

The number of clocks, N values are detailed in Appendix V regardless of M.

This model is for the purpose of calculating the worst-case accumulation of time error through the network. The actual number of nodes on each branch of the chain, as well as the number of chains within any cluster may be different.

NOTE 3 – When a T-TSC is embedded in the end application as also clarified in Appendix IV of [ITU-T G.8273.2], this T-TSC may not be fully compliant with [ITU-T G.8273.2].

## **II.2 HRM composed of T-BCs and T-TCs**

### **II.2.1 HRM with physical layer frequency support from the network**

For the case of HRM with PHY frequency support from the network, the same models as described in Figure II.3 and Figure II.4 apply where a maximum number of eight T-TCs are included in the reference chain. Note that it is typical for T-TCs to be deployed close to the end application. The T-TCs may be followed by T-BCs.



## Appendix III

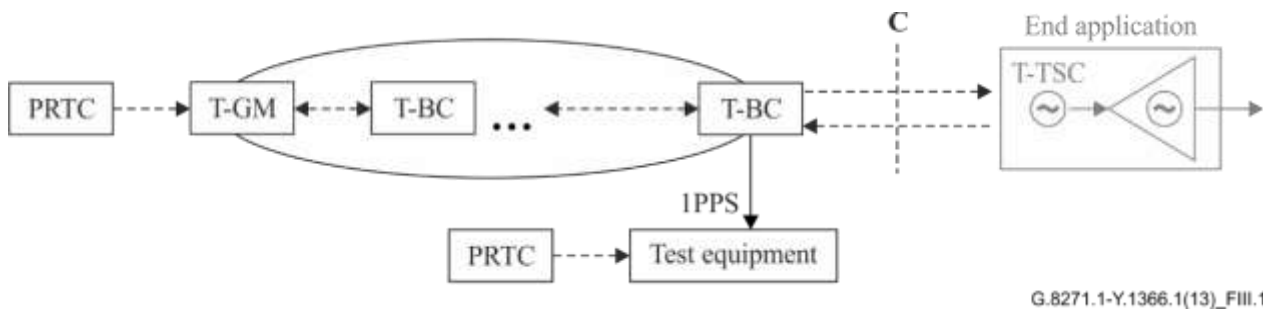
### Network limits considerations

(This appendix does not form an integral part of this Recommendation.)

#### III.1 Measurement of network limits in deployment case 1

If a network has full timing support and a T-BC as the last piece of equipment in the chain, the measurement of the network limits for deployment case 1 at reference point C can be performed according to the following main approaches (note, a T-TC may be integrated into the chain; this is for further study):

- a) If available, via the output PPS test interface from the last BC of the chain (see Figure III.1). Note that, any additional source of error between the 1 PPS measurement point and the actual reference point C has to be taken into account (e.g., link asymmetry).



**Figure III.1 – Deployment case 1 of network limits measurement, option a)**

The time error generated by the test equipment and its associated PRTC or internal time reference must be taken into account when evaluating the measurement results.

- b) Directly from the two-way PTP flow via passive PTP monitor equipment (see the packet timing monitor definition in clause 3.1.14 of [ITU-T G.8260]) connected to the test equipment. With the passive technique, a packet-based test device monitors packet exchanges over a communication link. In this way, the test device acts as an observer and it does not directly participate in the packet timing protocol, and there may be significant other non-synchronization-related traffic loading the T-BC port in addition to the synchronization packets of interest. This measurement can be performed by monitoring the outgoing Sync messages (and Follow\_Up messages in case of two-steps clocks). Compensation for the additional delay between the T-BC output port and the test equipment is required. In particular, if the cable delay from the master-timeTransmitter port to the tap is known as  $X$  ns and the monitor establishes the time-of-passage of the Sync message at the tap as  $TM2$  and extracts the time-of-departure from the master-timeTransmitter port as the time-stamp  $T1$  (it may need to use the Follow\_up), the forward TE of the master-timeTransmitter port is estimated as:

$$T_{\text{fwd\_error}} \approx (TM2 - T1 - X) \quad (\text{III-1})$$

As an alternative, the packets in the reverse direction could also be used. In this case, the Delay\_Request messages can be timestamped by the PTP monitor with corresponding Delay\_Response messages providing timestamps from the T-BC. As before, compensation for the additional delay between the T-BC output port and the test equipment is required. For a cable delay of  $X$  ns, if the PTP Monitor timestamp of the Delay\_Request message is  $TM3$  and the timestamp from the Delay\_Response message is  $T4$ , the reverse TE of the master-timeTransmitter port is estimated as the reverse time-stamp error:

$$T_{\text{rev\_error}} \approx (\text{TM3} - \text{T4} + X) \quad (\text{III-2})$$

According to a further alternative approach, the measurement can be performed using the full set of PTP messages exchanged between the T-TSC and the T-BC. In particular, the monitor establishes the time-of-passage of the Sync message at the tap as TM2 and reads the time-of-departure of the Sync message from the master-timeTransmitter port as T1. It also establishes the time-of-passage of the Delay\_Request message at the tap as TM3 and reads the time-of-arrival of the Delay\_Request message at the master-timeTransmitter port from the Delay\_Response message as T4. Assuming that the packet rates in the two directions are the same and that the Sync message and Delay\_Request message are close together in time, combined forward and reverse TE, or time-transfer error, at the (master-timeTransmitter) port of the T-BC can be estimated as:

$$T_{\text{combined\_error}} \approx (\text{TM2} - \text{T1} - \text{T4} + \text{TM3})/2 \quad (\text{III-3})$$

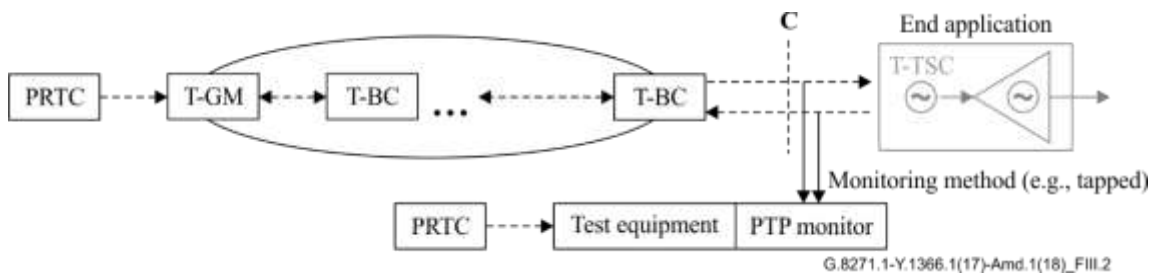
The case where the forward and reverse packet rates are different, or require interpolation, is for further study.

The effective TE of the T-BC,  $T_{\text{err}}(t)$  (either the forward time-stamp error, reverse time-stamp error or combined error) may be used to estimate the relevant metrics, such as the constant TE as described in [ITU-T G.8260].

Note that, because this Recommendation addresses network performance requirements, it is expected that Formulae (III-1) to (III-3) provide equally valid estimates of the TE of the T-BC internal clock.

Additional information regarding measurement of master-timeTransmitter port time-stamp error and time-transfer error is available in Annex A of [b-ITU-T G.8273].

This approach is depicted in Figure III.2.



**Figure III.2 – Deployment case 1 network limits measurement, option b)**

- c) From the two-way PTP flow via an active measurement probe (e.g., prior to the start of the service or connecting the active monitor to a dedicated port of the T-BC). The measurement is performed using the full set of the PTP messages exchanged between the test equipment and the T-BC.

In particular, the monitor establishes the time-of-arrival of the Sync message as T2 and reads the time-of-departure of the Sync message from the master-timeTransmitter port as T1. It also establishes the time-of-departure of the Delay\_Request message from the PTP Monitor as T3 and reads the time-of-arrival of the Delay\_Request message at the master-timeTransmitter port from the Delay\_Response message as T4. Assuming that the Sync message and Delay\_Request message packet rates are the same and that the Sync message and Delay\_Request message are close together in time, an estimate of the TE of the T-TSC with respect to the PTP master-timeTransmitter port of the T-BC can be computed as:

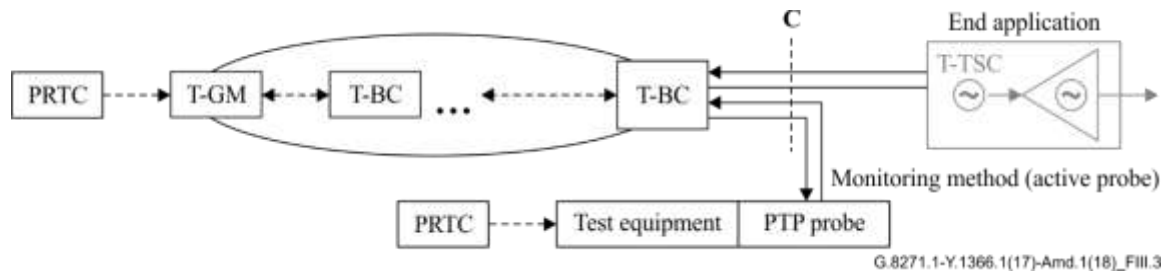
$$T_{\text{combined\_error}} \approx (\text{T2} - \text{T1} - \text{T4} + \text{T3})/2$$

The case where the forward and reverse packet rates are different or require interpolation is for further study.

Additional information regarding measurement of the ~~master-time~~Transmitter port time-stamp error and time-transfer error is provided in Annex A of [b-ITU-T G.8273].

Assuming all ports of the T-BC behave similarly, the effective TE of the T-BC,  $T_{err}(t)$  (either the forward time-stamp error, reverse time-stamp error or combined error) may be used to estimate the relevant metrics, such as the constant TE as described in [ITU-T G.8260].

This approach is described in Figure III.3.



**Figure III.3 – Deployment case 1 network limits measurement, option c)**

In all cases the measurement is performed with respect to a PRTC. When the PRTC used for the PTP probe is independent of the PRTC used for the network, then the influence of the time error of the independent PRTCs should be taken into account when analysing the test results against the network performance limits.

## Appendix IV

### Constant and dynamic time error and error accumulation

(This appendix does not form an integral part of this Recommendation.)

#### IV.1 Introduction

Network limits for TE are expressed in terms of maximum absolute TE. That is, if TE measurement data is the sequence,  $\{x(n\tau_0)\}$ , the maximum absolute TE is

$$\max|TE| = \max_n |x(n\tau_0)| \quad (\text{IV-1})$$

It may be advantageous to consider the TE in terms of "time-wander" and "time-jitter", representing the lower and higher frequency components of the TE. Denoting the low-pass-filtered version of  $\{x(n\tau_0)\}$  by  $\{y(n\tau_0)\}$ , the maximum absolute time-wander is given by

$$\max|TE_W| = \max_n |y(n\tau_0)| \quad (\text{IV-2})$$

where the subscript W indicates that the measurement is related to time-wander. The Fourier frequency separating time-wander (the cut-off frequency of the low-pass filter) is for further study.

The TE measurement data,  $\{x(n\tau_0)\}$ , is generated either from the packet-based timing signal (e.g., PTP) or from a dedicated time output signal (e.g., 1 PPS).

#### IV.2 Components of time error

The accumulated time error,  $TE(t)$ , at any reference point may be expressed in terms of a constant and a dynamic TE component, indicated as  $cTE$  and  $dTE(t)$ , respectively.

$$TE(t) = cTE + dTE(t) \quad (\text{IV-3})$$

Constant TE, defined in [ITU-T G.8260], is a useful construct to express TE components that are immune to filtering. Such TE components are the result of, for example, asymmetry in the transmission medium between network elements, asymmetries within network elements, the beating effect in near-synchronous time-stamping, and so on. The power-spectrum of the constant TE is assumed to be equivalent to a delta function at  $f=0$  in the Fourier frequency domain.

The dynamic TE component,  $dTE(t)$ , is related to random noise accumulation (e.g., due to T-BC time-stamping or wander accumulated in the synchronous Ethernet network and injected into the time synchronization plane when synchronous Ethernet is used in combination with PTP or due to packet-delay variation experienced by the timing signal packets). The power spectrum of the dynamic TE is spread out over the Fourier frequency domain and the power can be reduced, to some extent, by low-pass filtering (e.g., as a result of the bandwidth of a given clock function within a network element).

To facilitate the analysis, it helps to further decompose the dynamic TE signal into two uncorrelated subcomponents:  $dTE_H(t)$  and  $dTE_L(t)$  which represent the high and low frequency sub-bands of the dynamic TE, and where the bands are divided based on the bandwidth of the filter action of network element,  $i$ . Such decomposition is useful for analysing the accumulation of noise in a chain of time clocks. (Analysis of transient and hold-over budgets is also important, but is separate from this discussion.) To a first approximation, the low-pass filter action of the network element can be modelled as an ideal low-pass filter with cut-off frequency  $B$  (Hz),

$$dTE(t) = dTE_L(t) + dTE_H(t) \quad (\text{IV-4})$$

which separates the total TE into three components:

$$TE(t) = cTE + dTE_L(t) + dTE_H(t) \quad (\text{IV-5})$$

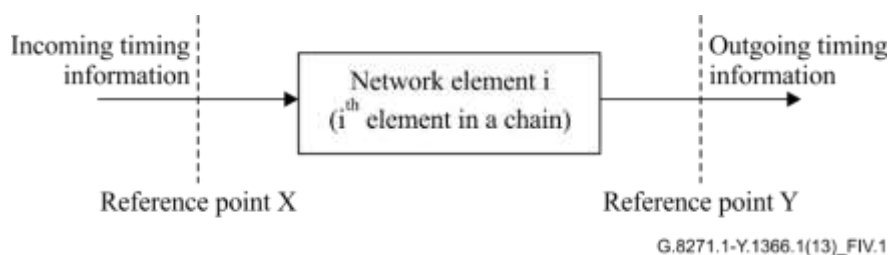
The above decomposition of TE into three subcomponents is illustrated in Table IV.1.

**Table IV.1 – Decomposition of time error into sub-components**

$TE(t)$	$cTE$	
	$dTE(t)$	$dTE_L(t)$
		$dTE_H(t)$

### IV.3 Accumulation of time error in a chain of clocks

The accumulation of TE in a chain of clocks can be analysed in terms of the constant time error and dynamic TE components introduced above. It is important to note that the three components of TE described above accumulate differently. Specifically, the inherent low-pass nature of the clock filtering in a network element affects the incoming dynamic TE but passes the incoming constant TE component essentially unchanged. Furthermore, the network element may add both constant and dynamic TE. One approach to illustrating the accumulation of TE is described with reference to Figure IV.1.



**Figure IV.1 – Accumulation of time error**

The maximum absolute TE at reference points X and Y are:

$$\max|TE_X(t)| = \max |cTE_X + dTE_X(t)| \quad (IV-6)$$

$$\max|TE_Y(t)| = \max |cTE_Y + dTE_Y(t)| \quad (IV-7)$$

where the subscripts X and Y indicate the value measured at reference points X and Y, respectively.

The constant TE at Y can be represented as the sum of the constant TE at X ( $cTE_X$ ) plus the constant TE generated internally by the network element  $i$  ( $cTE_i$ ):

$$cTE_Y = cTE_X + cTE_i \quad (IV-8)$$

The dynamic TE,  $dTE_Y$ , at Y is more complex, because a simple sum cannot be used. This is because the network element introduces a low-pass filter. As described above, the dynamic TE at X (the input of the network element  $i$ ) can be decomposed into high and low band sub-components:

$$dTE_X(t) = dTE_{L,X}(t) + dTE_{H,X}(t) \quad (IV-9)$$

and the dynamic TE introduced by the network element  $i$  can similarly be expressed in terms of low-frequency and high-frequency components as:

$$dTE_i(t) = dTE_{L,i}(t) + dTE_{H,i}(t) \quad (IV-10)$$

Then, the dynamic TE at Y (the output of the network element  $i$ ), is a combination of the dynamic TE introduced by element  $i$  and the dynamic TE at X, the input dynamic TE being filtered by the processing of that element. The high band dynamic TE at X will, to a first approximation, be filtered out by the network element, while the low band dynamic TE at X will, to a first approximation, be passed through the network element. Low-band dynamic TE generated by the network element will, to some extent, be compensated by the time-tracking action of the network element, but some residual low-band dynamic TE is expected to remain.

Therefore, we can represent the dynamic TE at Y in terms of the low band dynamic TE at X [ $dTE_{L,X}(t)$ ], and the dynamic TE generated internally by network element  $i$  [ $dTE_H(t)$  and  $dTE_L(t)$ ]:

$$dTE_Y(t) \cong dTE_{L,X}(t) + dTE_{L,i}(t) + dTE_{H,i}(t) \quad (IV-11)$$

Substituting these two decompositions into the equation for maximum absolute TE at Y, we get the following expression:

$$\max|TE_Y| = \max|(cTE_X + cTE_i) + (dTE_{L,X}(t) + dTE_{L,i}(t)) + dTE_{H,i}(t)| \quad (IV-12)$$

Therefore, the maximum absolute TE at point Y depends on:

- the constant TE at X;
- the constant TE introduced by network element  $i$ ;
- the low-band dynamic TE at X;
- the dynamic TE introduced by network element  $i$  (low-band and high-band).

More generally, in a chain of time clocks, to a first order approximation:

- the constant TE, and link asymmetry, accumulates linearly;
- the low-band dynamic TE accumulates incoherently;
- the high-band dynamic TE is contributed mainly by the last element in the chain.

In a chain of time clocks, where the  $N$  nodes are indexed by the letter  $i$ , and the  $(N - 1)$  links are indexed by the letter  $j$ , the maximum absolute TE at the output of the  $N$ th node can be upper bounded as:

$$\max|TE_N| \leq \sum_{i=1}^N |cTE_i| + \sum_{j=1}^{N-1} |linkTE_j| + \sqrt{\left\{ \sum_{i=1}^N [\max |dTE_{L,i}(t)|]^2 \right\} + [\max |dTE_{H,N}(t)|]^2} \quad (IV-13)$$

The actual noise may be higher than Equation IV-13 indicates, due to the possible presence of re-arrangement transients.

Here  $linkTE_j$  denotes the asymmetry of link  $j$ , RSS denotes the square root of the sum of the squares of the  $N$  low-band dynamic TE contributions from each node, and the high-band dynamic TE of the last ( $N$ th) node.

Depending on the network model and nature of time error, and whether  $dTE_L(t)$  is symmetrical around the  $cTE$  value, the  $\max|dTE_L(t)|$  value used in Equation IV-13 can be considered between two extreme cases:

- Case 1: If  $dTE_L(t)$  is symmetrical around  $cTE$ , use half of the peak-to-peak value of  $dTE_L(t)$  specified for the clock for  $\max|dTE_L(t)|$
- Case 2: If  $dTE_L(t)$  is not symmetrical around  $cTE$ , use the full peak-to-peak value of  $dTE_L(t)$  specified for the clock for  $\max|dTE_L(t)|$

NOTE – Network re-arrangement conditions need to be considered separately and when present, may normally make the  $dTE_L(t)$  asymmetric around  $cTE$ .

With this construct, constant TE accumulates coherently (simple summation) and dynamic TE accumulates incoherently (square-root of sum of squares) for the low band; the high band dynamic TE is present only as the contribution from the last stage. Stated differently, the mean values of the various sources of TE accumulate linearly and the variances of the various sources of TE accumulate linearly.

Therefore, the performance specification of a network element should include the following:

- maximum allowed constant TE generation;

- maximum allowed low and high band dynamic TE generation;
- dynamic TE bandwidth range (min/max);
- minimum dynamic TE input tolerance.

This simplified model is an approximation focusing on noise generation with the assumption that the dTE noise generation of any clock is uncorrelated with the dTE noise generation of any other clock, and using a simplified model for noise transfer. It considers only *ideal* clocks and measurement filters, where *ideal* means that the clock or measurement filter has a transfer function whose gain is 0 dB in the passband, and whose attenuation is infinite in the stop band. This definition of ideal applies to both the low-pass (PTP to PTP) and band-pass (SyncE to PTP) transfer functions. Also, according to this definition, an ideal clock can have non-zero noise generation.

In a real deployment, the PTP-to-PTP noise transfer (i.e., frequency response) of each clock and measurement filter is real (not ideal). In the simulation results documented in [b-ITU-T G.Sup65], the PTP-to-PTP noise transfer of each clock is based on mathematical modelling to simulate a real clock (not ideal). In both cases:

- The gain can be up to 0.1 dB in the pass band
- The frequency response has a certain slope (typically -20 dB per decade) in the cut band

In addition, the frequency plane injects some noise in its pass band into the PTP plane at each node. The fact that this noise accumulates, i.e., that it is not the same at each node, is not considered in the simplified model.

Finally, in a real deployment the dTE noise generation at successive clocks can be correlated. For example, in the case where the frequency transport and time transport are congruent, the accumulated noise in the frequency plane that is injected into the PTP plane at a clock is dependent on the upstream accumulated noise in the frequency plane, which is injected into the PTP plane at upstream clocks. The accumulation of noise in the frequency plane, and the correlation of dTE noise generation at successive PTP clocks, is modelled in the simulations of [b-ITU-T G.Sup65].

For a network dimensioning study, the noise accumulation shall not only consider the simplified inequality IV-13, but also the simulation results reported in [b-ITU-T G.Sup65].

## Appendix V

### Example of design options

(This appendix does not form an integral part of this Recommendation.)

#### V.1 Network limits

As described in Appendix IV, the network limits are expressed in terms of TE, and can be defined in one of three ways:

- 1) the maximum absolute TE,  $\max |TE|$ ;
- 2) the dynamic TE component,  $dTE(t)$ ;
- 3) the constant TE component  $cTE$ .

For example, the end application requirement, which for a time division duplex (TDD) network is 1.5  $\mu$ s, is an example of a maximum absolute TE limit. The MTIE mask in clause 7.3.1 is an example of a dynamic TE limit.

#### V.2 Components of time error budgets

A TE budget can be created for a network, working back from the end application requirement and subtracting the TE generation introduced by various components. The components of the budget to be considered depend on the design of the operator's network. They may include the following elements:

– **Time error generation of the PRTC and T-GM**

The  $\max|TE|$  permitted for an integrated PRTC-A/T-GM combination is 100 ns, as specified in [ITU-T G.8272]. Other deployments (such as a separated PRTC and T-GM) are for further study.

– **Dynamic time error of the network of T-BCs,  $|dTE|$**

The simulations performed have demonstrated that the maximum absolute dynamic TE,  $|dTE|$  is less than 200 ns for chains of up to 20 T-BCs.

(Refer to Appendices I and II for further information on these simulations)

– **Constant time error of the T-BCs**

The constant TE,  $cTE$ , generated by a Type A T-BC is 50 ns or less.  $cTE$  adds linearly with the number of T-BCs, therefore the  $cTE$  generated by a chain of 10 Type A T-BCs is up to 500 ns.

Similarly, the constant TE,  $cTE$  generated by a Type B T-BC, is 20 ns or less; therefore, the  $cTE$  generated by a chain of 20 Type B T-BCs is up to 400 ns.

The  $cTE$  generated by a chain of clocks is denoted  $ce_{ptp\_clocks}$ .

– **Constant time error of the links between network elements**

The time offset estimation in PTP is unable to determine if the forward and reverse delays are asymmetric delays. Any difference in link delay between the forward and reverse directions will cause an error in a clock's calculation of time offset from ~~master~~ [timeTransmitter](#). This constant difference in delay may be caused by different wavelengths used in each direction, or differences in the lengths of the forward fibre compared to the reverse fibre.

The  $cTE$  generated by the links in a chain is denoted  $ce_{link\_asym}$ .



– **Re-arrangements and ~~short-term~~ holdover**

There are several different failure scenarios that can be considered, and these are described in [ITU-T G.8275]. For example, a holdover time based on physical layer frequency may be used in the T-GM, to keep the internal clock "ticking" at a constant rate, the T-BCs in the PTP network may switch over to an alternative T-GM, or the T-TSC in the end application may switch to an alternative reference.

– **Noise contribution of end application**

Some allowance must be made for the noise contribution of the end application. In the case of an eNodeB, this is normally considered to be 150 ns.

### V.3 Failure scenarios

There are three main failure scenarios considered here.

- a) Failures in the synchronization network that cause the end application clock to enter holdover for a short period. This is denoted  $TE_{REA}$  (rearrangement TE), which is provided by the end application, and is normally considered to be less than 250 ns.
  - As an example, this might be triggered by a loss of PRTC traceability of one of the redundant T-GMs in the network. The loss of traceability is indicated by the clockClass field carried in the Announce messages indicating a degraded quality level, and triggers the BMCA to run. If the clockClass is set to a value that is unacceptable to the end application, then the clock will enter holdover for a short period (e.g., 1 min) prior to synchronizing to another T-GM.
- b) Failures in the synchronization network that do not cause the end application clock to enter holdover. This is denoted  $TE_{HO}$  (holdover TE), which is provided by PRTC, and is normally considered to be less than 400 ns.
  - As an example, this might be related to a short interruption of the GNSS signal (e.g., 5 min), causing the PRTC to go into holdover for a short period. During this period, either a PRC-traceable synchronous Ethernet signal or a stable internal oscillator might be used as a back-up to the PRTC. In this case, the clockClass field continues to indicate an acceptable quality level so that the end application clock stays locked to the PTP reference.
  - This scenario is presented for information. It should be noted that the 1.1  $\mu$ s network limit at reference point C defined in clause 7.3.1 might not be met. However, the 1.5  $\mu$ s limit at reference point E should still be achieved.
- c) Long interruption to the GNSS signal (e.g., one day), with no alternative UTC-traceable T-GM available, or PTP messages lost or unused for a long duration (e.g., one day) by the end application. The long-term holdover condition is handled as a special case where both the 1.1  $\mu$ s limit at reference point C and the 1.5  $\mu$ s limit at reference point E are exceeded. This is assumed to be a particularly rare event and is presented for information.

The TE due to the holdover in this case, provided by PRTC, is assumed to be, in the worst case, 2 400 ns.
- d) Longer interruption to the GNSS signal than the scenario (c) (e.g., three days), with no alternative UTC-traceable T-GM available, or PTP messages lost or unused for a long duration (e.g., three days) by the end application, but SyncE still available. This is assumed to be a particularly rare event, and is presented for information. Note, this case is only considered by a transport network with enhanced SyncE and T-BC class C, not applicable for T-BC class A and T-BC class B.

Further information on the protection scenarios and related budget is provided in this Appendix and in [ITU-T G.8275].

NOTE 1 – The end application is not required to handle long time synchronization holdover periods, but only short interruptions that could be caused by network rearrangements. Time synchronization and rearrangements that may happen in the network and that are modelled by  $TE_{HO}$  are included in the network limits. As a first approximation,  $TE_{REA}$  and  $TE_{HO}$  shall not be considered at the same time; in fact,  $TE_{REA}$  assumes that the end application enters holdover as soon as a failure is detected in the network, while  $TE_{HO}$  assumes that the end application continues to be locked to the incoming reference and in this case, there is no need to allocate a budget to  $TE_{REA}$ .

NOTE 2 – The time to restore (e.g., time to lock to a secondary time-synchronization reference) at the end application depends on the availability of physical frequency synchronization support and on the characteristics of the clock implemented in the end application.

#### V.4 Time error budget allocation

Table V.1 presents an example budget calculation related to the three failure scenarios.

The first scenario (a) refers to the normative network limits defined in clause 7.3.1.

For the purpose of information, additional scenarios (b) and (c) are also presented, where the network limits are not met.

In scenario (b), the 1.1  $\mu$ s network limit at reference point C defined in clause 7.3.1 might not be met. However, the 1.5  $\mu$ s limit at reference point E should still be achieved.

In scenario (c), the 1.1  $\mu$ s network limit at reference point C defined in clause 7.3.1 will not be met, and the 1.5  $\mu$ s limit at reference point E will also be exceeded.

NOTE – Example budget calculation related to clause 7.3.2 with T-BC class C and enhanced physical layer synchronization with both PRTC-A and PRTC-B are for further study.

**Table V.1 – Example of time error allocation**

Budget component	Failure scenario (a) (T-GM rearrangement)		Failure scenario (b) (Short GNSS interruption)		Failure scenario (c) (Long holdover periods, e.g., 1 day)	
	Type A	Type B	Type A	Type B	Type A	Type B
<b>Time error generation of the PRTC/T-GM (<math>ce_{ref}</math>)</b>	100 ns		100 ns		100 ns	
<b>Re-arrangements and short-term holdover in the network (<math>TE_{HO}</math>)</b>	NA		400 ns		2 400 ns	
<b>Dynamic time error of the network of T-BCs (<math>dTE'</math>)</b>	200 ns		200 ns		200 ns	
<b>Constant time error of T-BCs (<math>ce_{ptp\_clock}</math>)</b> (Note 1) (Note 2)	Type A 550 ns	Type B 420 ns	Type A 550 ns	Type B 420 ns	Type A 550 ns	Type B 420 ns
<b>Constant time error of links (<math>ce_{link\_asym}</math>)</b> (Note 3)	250 ns	380 ns	100 ns	230 ns	100 ns	230 ns
<b>Total time error at reference point C (<math>TE_C</math>)</b>	<b>1 100 ns</b>		<b>1 350 ns</b> (Note 4)		<b>3 350 ns</b>	
<b>Rearrangements and short-term holdover in the end application (<math>TE_{REA}</math>)</b>	250 ns		NA		NA	

**Table V.1 – Example of time error allocation**

<b>Noise contribution of the end application (<math>TE_{EA}</math>)</b>	150 ns	150 ns	150 ns
<b>Total time error at reference point E (<math>TE_E</math>)</b>	<b>1 500 ns</b>	<b>1 500 ns</b>	<b>3 500 ns</b> (Note 5)

NOTE 1 – For type A clocks, it is assumed in these examples that the clocks contribute a constant TE of 50 ns as per type A T-BC (see [ITU-T G.8273.2]).  
 In deployment case 1, the HRM is composed of: 1 T-GM, 10 Type A T-BCs, 1 T-TSC (embedded in the end application) and 11 links.  
 In deployment case 2, the HRM is composed of: 1 T-GM, 9 Type A T-BCs, 1 T-TSC, 10 links and 1 intra-site link. The TE budget allocated to the time synchronization distribution in the intra-site connection between the packet clock and the end application in the worst case is 50 ns. Therefore, the number of T-BCs is reduced by one to accommodate the extra TE resulting from the intra-site link.

NOTE 2 – For type B clocks, it is assumed in these examples that the clocks contribute a constant TE of 20 ns as per type B T-BC (see [ITU-T G.8273.2]).  
 In deployment case 1, the HRM is composed of: 1 T-GM, 20 T-BCs, 1 T-TSC and 21 links.  
 In deployment case 2, the HRM is composed of: 1 T-GM, 19 T-BCs, 1 T-TSC, 20 links and 1 intra-site link. The TE budget allocated to the time synchronization distribution in the intra-site connection between the packet clock and the end application in the worst case is 20 ns. Therefore, the number of T-BCs is reduced by one to accommodate the extra TE resulting from the intra-site link.

NOTE 3 – The constant time error budget for the links is the remainder after any asymmetry compensation has been included.  
 NOTE 4 – Failure scenario (b) may cause the network limit of 1 100 ns at point C to be exceeded. This is for further study.  
 NOTE 5 – Exceeding the  $TE_E$  limit of 1 500 ns may cause service degradation. The maximum frequency of occurrence of this scenario is governed by operator targets on service reliability.

The ~~is scenario examples related to failure scenario (d) shown in Table V.2 are~~ presented for the purpose of information. In the ~~is scenario examples~~ the 1.1  $\mu$ s network limit at reference point C defined in clause 7.3.1 might not be met. However, the 1.5  $\mu$ s limit at reference point E might still be achieved.

**Table V.2 – Example of time error allocation with T-BC class C**

<b>Budget component</b>	<b>Failure scenario (d)</b> <i>(Long holdover periods, e.g., three days) (Note 1)</i>	<b>Failure scenario (d)</b> <i>(Long holdover periods, e.g., three days) (Note 2)</i>
<b>Time error generation of the PRTC/T-GM</b> <i>(<math>ce_{ref}</math>) (Note 3)</i>	100 ns	40 ns
<b>Re-arrangements and long-term holdover in the network</b> ( $TE_{HO}$ ) (Note 4)	620 ns	620 ns
<b>Dynamic time error of the network of T-BCs</b> <i>(<math>dTE'</math>)</i>	100 ns	100 ns
<b>Constant time error of T-BCs</b> ( $ce_{ptp\_clock}$ )	Class C 100 ns	Class C 200 ns
<b>Constant time error of links</b> ( $ce_{link\_asym}$ ) (Note 5)	430 ns	390 ns

**Table V.2 – Example of time error allocation with T-BC class C**

<b>Budget component</b>	<b>Failure scenario (d)</b> <i>(Long holdover periods, e.g., three days) (Note 1)</i>	<b>Failure scenario (d)</b> <i>(Long holdover periods, e.g., three days) (Note 2)</i>
<b>Total time error at reference point C (<math>TE_C</math>)</b>	<b>1 350 ns</b>	<b>1 350 ns</b>
<b>Rearrangements and holdover in the end application (<math>TE_{REA}</math>)</b>	NA	NA
<b>Noise contribution of the end application (<math>TE_{EA}</math>)</b>	150 ns	150 ns
<b>Total time error at reference point E (<math>TE_E</math>)</b>	<b>1 500 ns</b>	<b>1 500 ns</b>
<p>NOTE 1 – In this deployment case, the HRM is composed of: 1 T-GM (embedded in the PRTC), 10 Class C T-BCs, 1 T-TSC (embedded in the end application) and 11 links, or 1 T-GM (embedded in the PRTC), 9 Class C T-BCs, 1 T-TSC, 10 links and 1 intra-site link.</p> <p>NOTE 2 – In this deployment case, the HRM is composed of: 1 T-GM (embedded in the PRTC), 20 Class C T-BCs, 1 T-TSC (embedded in the end application) and 21 links, or 1 T-GM (embedded in the PRTC), 19 Class C T-BCs, 1 T-TSC, 20 links and 1 intra-site link.</p> <p>NOTE 3 – The PRTC-A or a better clock is needed for the deployment case with 10 T-BCs in the second column of Table V.2, and the PRTC-B or a better clock is needed for the deployment case with 20 T-BCs in the third column of Table V.2.</p> <p>NOTE 4 – This budget is specified for the long-term time holdover case, when the time synchronization reference is not available, but the physical layer frequency synchronization reference is still present. It includes the physical layer wander with an ePRC reference as defined in [b-ITU-T G.811.1], and the fibre wander, which assumes the fibre length is 1000 km, the peak-to-peak temperature variation is 2°C and the temperature coefficient is 40 ps/km/°C.</p> <p>NOTE 5 – The constant time error budget for the links is the remainder after any asymmetry compensation has been included.</p> <p>NOTE 6 – Tables V.1 and V.2 are applicable only to the budget allocations for the backhaul network, and not for the fronthaul network.</p> <p>NOTE 7 – [ITU-T G.8273.2] defines the limits on relative time error between any two time output ports for a class C T-BC. The relative time error limit does not affect the time error budget allocation in this table.</p>		

## V.5 Operator options

The budget presented in Table V.1 is an informative example, demonstrating how an operator can construct a TE budget for the network.

Each operator can construct their own budget along similar lines. For example, if an operator used a smaller network with fewer nodes, then  $ce_{ptp\_clock}$  (the sum of the constant TE from each clock) could be reduced. This either leaves a greater margin, or allows the link asymmetry budget ( $ce_{link\_asym}$ ) to be increased.

Operators may also choose different protection strategies. Some may prefer using PRC-traceable frequency assisted holdover in the T-GMs (i.e., scenario B), while others may choose to distribute more T-GMs around the network for immediate fail-over to an alternative T-GM (i.e., scenario A).

## V.6 Further details

As described in clauses V.1, V.2, V.3 and V.5, the network limits are expressed in terms of the maximum TE,  $\max |TE|$ , and this is the result of two main components:

- the dynamic TE component,  $dTE(t)$ ,
- the constant TE component  $cTE$ .

In order to take into account:

- a) the internal noise sources of the end application, (indicated by  $TE_{EA}$ ),
- b) the residual noise caused by the dynamic TE component (indicated by  $dTE'$ ),
- c) a short holdover at the end application during rearrangements in the synchronization network (indicated by  $TE_{REA}$ ), and
- d) holdover in the synchronization network when the time reference is not available (indicated by  $TE_{HO}$ ),

the network limit applicable at reference point C of deployment case 1 in Figure 7-1, expressed in terms of maximum absolute TE, must satisfy the following relationships:

For case a):

$$\max |TE_C| + TE_{EA} + TE_{REA} \leq \max |TE_E| \quad (\text{V-1a})$$

with:

$$|(cTE + dTE')| \leq \max |TE_C| \quad (\text{V-2a})$$

For case b):

$$\max |TE_C| + TE_{EA} \leq \max |TE_E| \quad (\text{V-1b})$$

with:

$$|(cTE + dTE')| + TE_{HO} \leq \max |TE_C| \quad (\text{V-2b})$$

In Formulae (V-1a) and (V-1b),  $TE_E$  indicates the network limit at reference point E expressed in terms of maximum absolute TE,  $TE_{HO}$  represents the budget allocated to holdover and rearrangements in the network and  $|dTE'|$  is the maximum absolute value of a filtered version of the dynamic TE component  $dTE(t)$ . In practice,  $dTE'$  estimates the dynamic component of the TE at the output of the end application.

NOTE 1 – The network limit at reference point D of deployment case 2 in Figure 7-2 is similar to Formulae (V-1a), (V-1b), (V-2a) and (V-2b), except that  $TE_D$  replaces  $TE_C$ .

NOTE 2 – The end application is not required to handle long time synchronization holdover periods, but only short interruptions that could be caused by network rearrangements. Time synchronization and rearrangements that may happen in the network and that are modelled by  $TE_{HO}$  are included in the network limits. As a first approximation,  $TE_{REA}$  and  $TE_{HO}$  shall not be considered at the same time; in fact,  $TE_{REA}$  assumes that the end application enters holdover as soon as a failure is detected in the network, while  $TE_{HO}$  assumes that the end application continues to be locked to the incoming reference and, in this case, there is no need to allocate a budget to  $TE_{REA}$ .

NOTE 3 – The terms  $cTE$  and  $dTE'$  in the previous relationship are not measured separately, but indicate the components that build  $\max |TE|$ . In the worst case,  $cTE$  and  $dTE'$  are both of the same polarity, but in a specific deployment they may partly compensate each other if the polarity is different.

The simulations performed show that it is possible to limit  $|dTE'|$  to 200 ns or less (i.e., in the worst case  $|dTE'| = 200$  ns), and this value is considered in the TE budgeting analysis. Refer to Appendices I and II for further information on these simulations.

NOTE 4 – In order to meet the noise limit for the end application at reference point E,  $TE_E$ , the end application shall tolerate a certain amount of noise at its input (reference point C of deployment case 1 in Figure 7-1, or reference point D of deployment case 2 in Figure 7-1). If  $dTE(t)$  exceeds the target limit of 200 ns, the end application should provide appropriate filtering to reduce the noise at reference point D to the value of  $dTE'$ , expressed in terms of maximum absolute TE. Further information is provided in Appendix VI.

NOTE 5 – The time to restore (e.g., time to lock to a secondary time-synchronization reference) at the end application depends on the availability of physical frequency synchronization support and on the characteristics of the clock implemented in the end application.

Based on Formulae (V-1a) and (V-2a), Formula (V-3a) applies for case a),

$$|cTE| \leq TE_E - (TE_{EA} + TE_{REA} + dTE') \quad (V-3a)$$

And based on Formulae (V-1b) and (V-2b), Formula (V-3b) applies for case b),

$$|cTE| \leq TE_E - (TE_{EA} + TE_{HO} + dTE') \quad (V-3b)$$

According to the assumption that  $TE_E = 1\,500\text{ ns}$ ,  $TE_{EA} = 150\text{ ns}$ ,  $TE_{REA} = 250\text{ ns}$ ,  $TE_{HO} = 400\text{ ns}$  and  $dTE' = 200\text{ ns}$ , Formula (V-4a) applies for case a),

$$|cTE| \leq 1\,500\text{ ns} - (150\text{ ns} + 250\text{ ns} + 200\text{ ns}) = 900\text{ ns} \quad (V-4a)$$

and Formula (V-4b) applies for case b),

$$|cTE| \leq 1\,500\text{ ns} - (150\text{ ns} + 400\text{ ns} + 200\text{ ns}) = 750\text{ ns} \quad (V-4b)$$

The constant TE component  $cTE$  is due to static contributions to the TE, mainly related to link asymmetries and PTP clock (T-BC, T-GM and T-TSC) constant TE accumulation.

NOTE 6 –  $cTE$  can be considered approximately constant over time assuming there are no changes in the network (e.g., re-routing).

In particular  $cTE$  can be expressed as follows:

$$|cTE| = ce_{ref} + ce_{ptp\_clocks} + ce_{link\_asyms} \quad (V-5)$$

where  $ce_{ref}$  is the accuracy of the PRTC as specified in [ITU-T G.8272],  $ce_{ptp\_clocks}$  is the sum of PTP clocks' constant TEs, which are defined as part of the T-BC specification, and  $ce_{link\_asyms}$  is the overall TE due to link asymmetries.  $ce_{ptp\_clocks}$  for a number,  $m$ , of PTP clocks (T-GM, T-BC or T-TSC) in a chain can be expressed as follows:

$$ce_{ptp\_clocks} = \sum_{n=1}^m ce_{ptp\_clock,n} \quad (V-6)$$

where  $ce_{ptp\_clock,n}$  is the constant TE for the  $n$ th PTP clock.

$ce_{link\_asyms}$  for  $m+1$  number of links can be expressed as follows:

$$ce_{link\_asyms} = \sum_{n=1}^{m+1} ce_{link\_asym,n} \quad (V-7)$$

where  $ce_{link\_asym,n}$  is the TE due to link asymmetry for the  $n$ th link.

Assuming a level of accuracy 4 as per Table 1 of [ITU-T G.8271] (i.e.,  $TE_E = 1.5\text{ }\mu\text{s}$ ) and  $ce_{ref} = 100\text{ ns}$ , Formula (V-8a) applies for case a):

$$cTE = ce_{ref} + ce_{ptp\_clocks} + ce_{link\_asyms} \leq 900\text{ ns} \quad (V-8a)$$

and therefore:

$$ce_{ptp\_clocks} + ce_{link\_asyms} \leq 800\text{ ns} \quad (V-9a)$$

and Formula (V-8b) applies for case b):

$$cTE = ce_{ref} + ce_{ptp\_clocks} + ce_{link\_asyms} \leq 750\text{ ns} \quad (V-8b)$$

and therefore:

$$ce_{ptp\_clocks} + ce_{link\_asyms} \leq 650\text{ ns} \quad (V-9b)$$

For the case of an HRM of 10 T-BCs, of constant TE of 50 ns (T-BC with constant TE class A, see [ITU-T G.8273.2]) and assuming that the constant TE for the T-GM also is 50 ns, this leads to:

$$ce_{ptp\_clocks} = 50 \text{ ns} + (10 \times 50 \text{ ns}) = 550 \text{ ns} \quad (\text{V-10})$$

And, for the case of an HRM of 20 T-BCs, of constant TE of 20 ns (T-BC with constant TE class B, see [ITU-T G.8273.2]), and assuming that the constant TE for the T-GM also is 20 ns, this leads to:

$$ce_{ptp\_clocks} = 20 \text{ ns} + (20 \times 20 \text{ ns}) = 420 \text{ ns} \quad (\text{V-11})$$

Then the fibre asymmetry budget for case a), with a T-BC of class A of [ITU-T G.8273.2], is:

$$ce_{link\_asym} \leq 250 \text{ ns} \quad (\text{V-12a})$$

and with a T-BC of class B of [ITU-T G.8273.2] is:

$$ce_{link\_asym} \leq 380 \text{ ns} \quad (\text{V-13a})$$

The fibre asymmetry budget for case b) with a T-BC of class A of [ITU-T G.8273.2] is:

$$ce_{link\_asym} \leq 100 \text{ ns} \quad (\text{V-12b})$$

and with a T-BC of class B of [ITU-T G.8273.2] is:

$$ce_{link\_asym} \leq 230 \text{ ns} \quad (\text{V-13b})$$

## Appendix VI

### Mitigation of time error due to synchronous Ethernet transients

(This appendix does not form an integral part of this Recommendation.)

Clause II.1.2 illustrates HRMs for the transport of phase/time via PTP with PHY frequency support. Figure II.3 illustrates the congruent scenario, where the frequency and phase/time transports follow the same synchronization path. Figure II.4 illustrates the non-congruent scenario, where the frequency and phase/time transports follow different synchronization paths. A rearrangement of the PHY frequency, e.g., synchronous Ethernet, transport results in phase/time error at each T-BC, the T-TSC, and the end application. The TE is generally larger in the congruent scenario than in the non-congruent scenario, because in the congruent scenario each T-BC has errors due to the rearrangement transient in both the time and frequency planes. The latter occurs in the PHY frequency input to a T-BC, and the former occurs in PTP Sync messages input to a T-BC from the upstream T-BC. In the non-congruent scenario, a T-BC has an error due only to the PHY frequency input (assuming that only one synchronous Ethernet reference chain at a time undergoes a rearrangement).

Details on requirements and solutions to address this issue are provided in [ITU-T G.8273.2].

NOTE 1 – In the case where in the congruent scenario the T-BC does not comply with Annex B of [ITU-T G.8273.2], the TE due to the synchronous Ethernet rearrangement can be reduced to an acceptable level by using an end application clock with sufficiently narrow bandwidth and sufficiently small gain peaking, and by collocating a suitable clock with the end application in the frequency plane. Simulations have shown that for the HRM of Appendix II, a maximum end application clock bandwidth of 0.005 Hz, with a maximum gain peaking of 0.1 dB, can reduce the TE due to the synchronous Ethernet rearrangement to an acceptable level. The analysis was done assuming an ITU-T G.812-type I clock is collocated with the end application clock in the frequency plane; however, a different type of clock might still result in an acceptable TE. This has not been verified.

In the non-congruent scenario, the TE will be acceptable if the T-BCs, T-TSC, and end application have minimum bandwidth of 0.05 Hz, maximum bandwidth of 0.1 Hz and maximum gain peaking of 0.1 dB, and if the frequency plane clocks collocated with the T-BCs, T-TSC, and end application are EECs. This is true whether or not the synchronous Ethernet transient is rejected at each T-BC.

NOTE 2 – The case of a network where a synchronization status message (SSM) is not used is for further study.



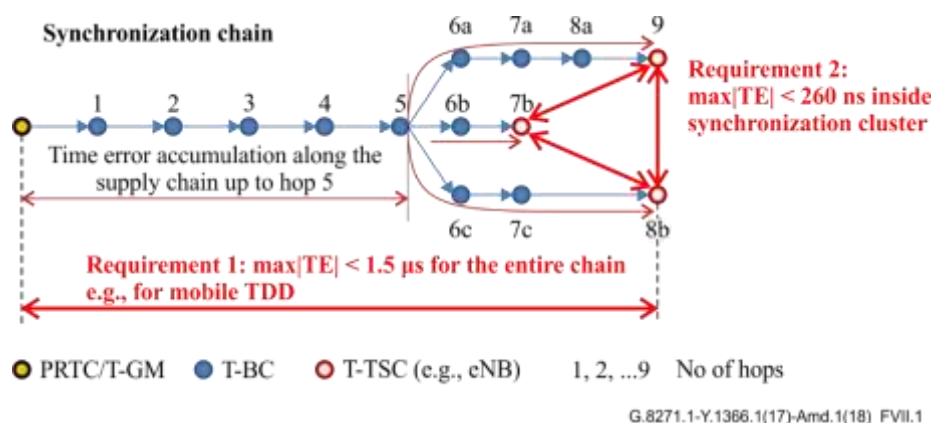
## Appendix VII

### Maximum relative time error

(This appendix does not form an integral part of this Recommendation.)

Time errors (accuracy) could also be expressed in terms of maximum relative time error, rather than maximum absolute time error, which is described in Appendix IV. However, in order to calculate the relative time error, it is necessary to calculate the absolute time error as well.

Now, in order to calculate the maximum relative time error accuracy, one approach to illustrating the accumulation of relative time error is described with reference to Figure VII.1.



**Figure VII.1 – Illustration of relative time error**

In Figure VII.1, nodes 1 to 5 represent the joint part of the synchronization supply chain, which is common for all base stations. Nodes 5 to 6(a, b, c)/7(a, b, c)/8(a, b)/9 represent the part of the synchronization supply chain that is used for the specific base station only (which is part of the base station cooperation cluster). Time error components from the common used synchronization chain, such as cTE, do influence all base stations of the synchronization cluster in the same way. That is, in the examples shown in Figure VII.1, the entire chain (at the output of the end application) requires 1.5 μs as max|TE| due to TDD operation (level of accuracy 4 in Table 1 in [ITU-T G.8271]). In addition, taking as an example class 6A as shown in Table 2 of [ITU-T G.8271], a maximum relative time error of 260 ns maximum deviation between the end applications is required inside the synchronization cluster.

From Figure VI.1, the maximum absolute time error at reference points 5/6(a, b, c)/7(a, b, c)/8(a, b)/9 is:

$$\max|TE_X(t)| = \max |cTE_X + dTE_X(t)| \quad (\text{VII-1})$$

where X represents the reference points 5/6(a, b, c)/7(a, b, c)/8(a, b)/9 at which the maximum absolute time error is measured. Now, the maximum relative time error is related to the maximum deviation (time error) between adjacent base stations that are present in the same synchronization cluster, obtaining their frequency and phase synchronization from the same source for the last network elements in the chain.

Firstly, the relative time error between node X and node Y is:

$$TE_{xy}(t) = TE_x(t) - TE_y(t) \quad (\text{VII-2})$$

And, the maximum absolute relative time error is:

$$\max|TE_{xy}(t)| = \max|TE_x(t) - TE_y(t)| \quad (\text{VII-3})$$

In addition, the maximum time error can be also denoted by Eq. (VII-4) and Eq. (VII-5)

$$TE_x(t) = TE_z(t) + TE_{xz}(t) \quad \text{or} \quad TE_{xz}(t) = TE_x(t) - TE_z(t) \quad (\text{VII-4})$$

$$TE_y(t) = TE_z(t) + TE_{yz}(t) \quad \text{or} \quad TE_{yz}(t) = TE_y(t) - TE_z(t), \quad (\text{VII-5})$$

where:

$TE_z(t)$ ,  $TE_x(t)$  and  $TE_y(t)$  are the absolute time errors at node Z, node X and node Y, respectively. The node Z, e.g., node 5 in Figure VI.1, connects with both node X and node Y, and

$TE_{xz}(t)$  is the relative time error between node X and node Z,

$TE_{yz}(t)$  is the relative time error between node X and node Z.

Substituting Eq. (VII-4) and Eq. (VII-5) into Eq. (VI-2) gives:

$$\begin{aligned} TE_{xy}(t) &= TE_x(t) - TE_y(t) \\ &= (TE_z(t) + TE_{xz}(t)) - (TE_z(t) + TE_{yz}(t)) \\ &= TE_{xz}(t) - TE_{yz}(t) \end{aligned} \quad (\text{VII-6})$$

Then, the maximum absolute relative time error is:

$$\begin{aligned} \max|TE_{xy}(t)| &= \max|TE_x(t) - TE_y(t)| \\ &= \max|TE_{xz}(t) - TE_{yz}(t)| \end{aligned} \quad (\text{VII-7})$$

A well-known property of inequalities involving real numbers is:

$$|u - v| \leq |u| + |v| \quad (\text{VII-8})$$

for any real numbers  $u$  and  $v$ .

Then:

$$|TE_{xz}(t) - TE_{yz}(t)| \leq |TE_{xz}(t)| + |TE_{yz}(t)| \quad (\text{VII-9})$$

and

$$\max|TE_{xz}(t) - TE_{yz}(t)| \leq \max(|TE_{xz}(t)| + |TE_{yz}(t)|) \quad (\text{VII-10})$$

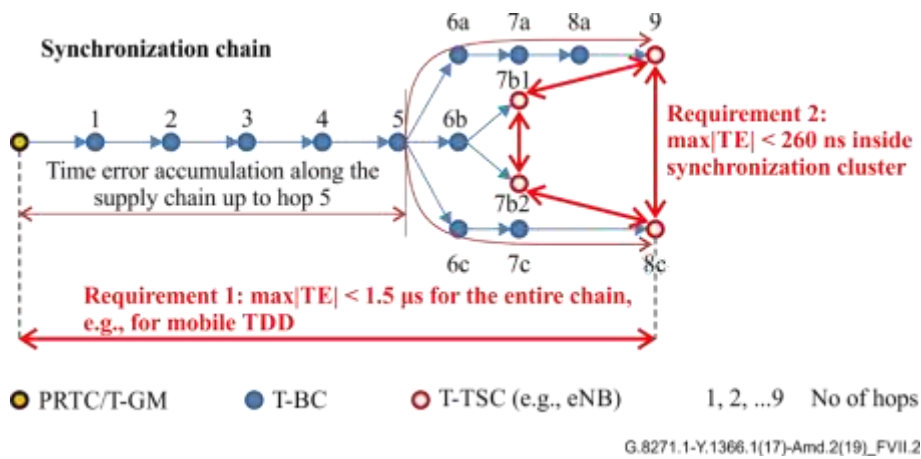
In addition, for any two real-valued functions,  $f(t)$  and  $g(t)$ :

$$\max(f(t) + g(t)) \leq \max(f(t)) + \max(g(t)) \quad (\text{VII-11})$$

Then, using Eq. (VII-11) in Eq. (VII-10) produces:

$$\max|TE_{xz}(t) - TE_{yz}(t)| \leq \max|TE_{xz}(t)| + \max|TE_{yz}(t)|. \quad (\text{VII-12})$$

Apart from the one described above in Figure VII.1, another approach to calculate the maximum relative time error accuracy between two PTP output ports of the same synchronization clock equipment is described with reference to Figure VII.2.



**Figure VII.2 – Illustration of relative time error monitoring example**

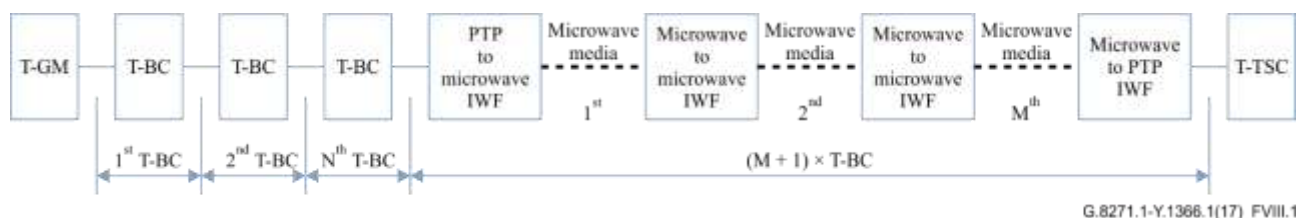
Figure VII.2 represents an example of the calculation of the maximum relative time error, which includes port-to-port relative time error measurements, as seen in node 6b. An operator can monitor the maximum relative time error (i.e., 260 ns inside the cluster) at the output port of T-BC node 6b as per the methods defined in Appendix XI. Here, node 6b can be a T-BC with multiple PTP output ports. Taking as an example class 6A as shown in Table 2 of [ITU-T G.8271], a maximum relative time error of 260 ns is required between any two end application nodes inside the synchronization cluster (see Figure VII.2 requirement 2). The cluster is composed of the following nodes: 7b1, 7b2, 8c, 9. The example of monitoring at 6b is for the relative time error between 7b1 and 7b2.

## Appendix VIII

### Models for budgeting in a chain of microwave devices

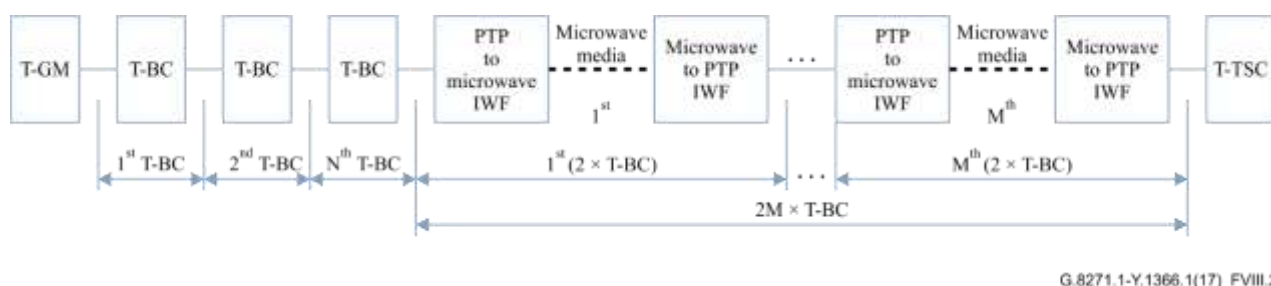
(This appendix does not form an integral part of this Recommendation.)

Figures VIII.1 and VIII.2 show the topology to be considered when developing budgets for chains of microwave equipment functioning as chains of T-BCs.



**Figure VIII.1 – Network reference model for phase/time synchronization over  $M$  microwave hops**

The case of cascaded microwave links, where microwave links are alternated with Ethernet-based equipment or in general where the microwave equipment is connected via Ethernet and PTP is carried over Ethernet, can be modelled by Figure VIII.2 showing  $N$  cascaded T-BCs combined with  $M$  microwave links.

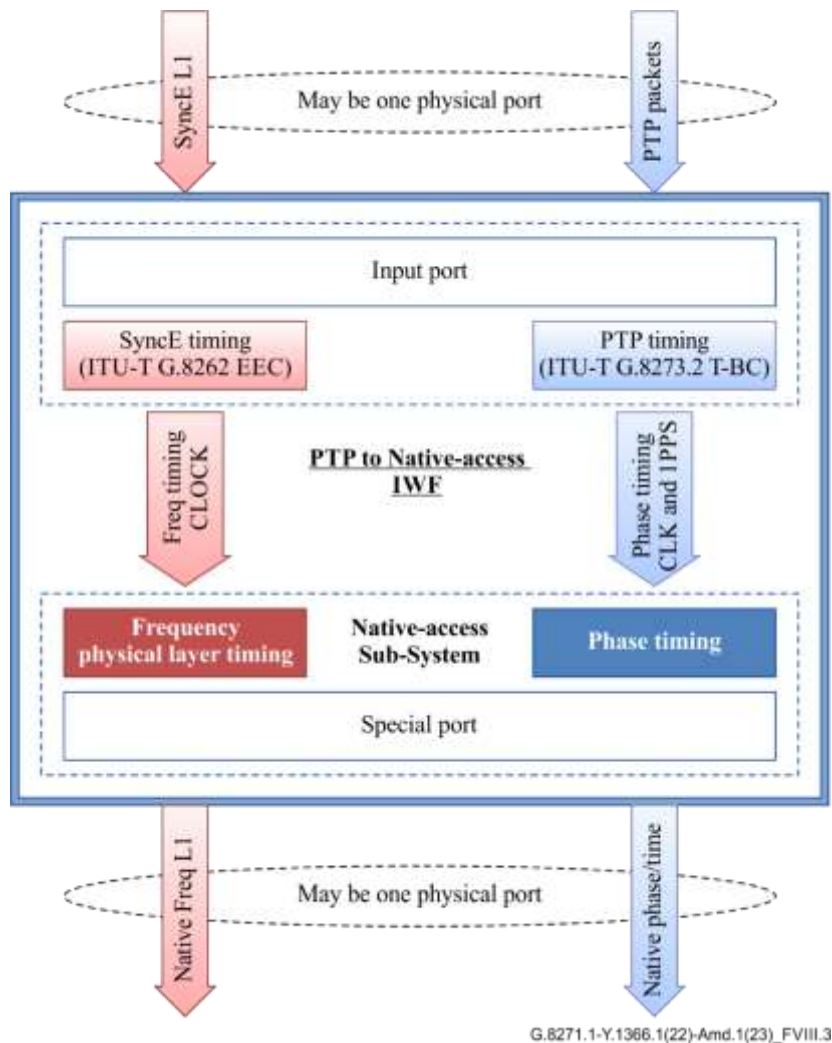


**Figure VIII.2 – Network reference model for phase/time synchronization over  $M$  microwave hops, including intermediate conversion between microwave and Ethernet**

NOTE 1 – Similar topology can be considered when developing budgets for chains of microwave equipment functioning as chains of T-TCs (i.e., replacing T-BC with T-TC in Figures VIII.1 and VIII.2).

NOTE 2 – This does not require that each microwave device (transmitter, repeater or receiver) must function as a PTP BC or TC. The equivalence to a T-BC or T-TC is purely for performance estimation purposes as part of the HRM.

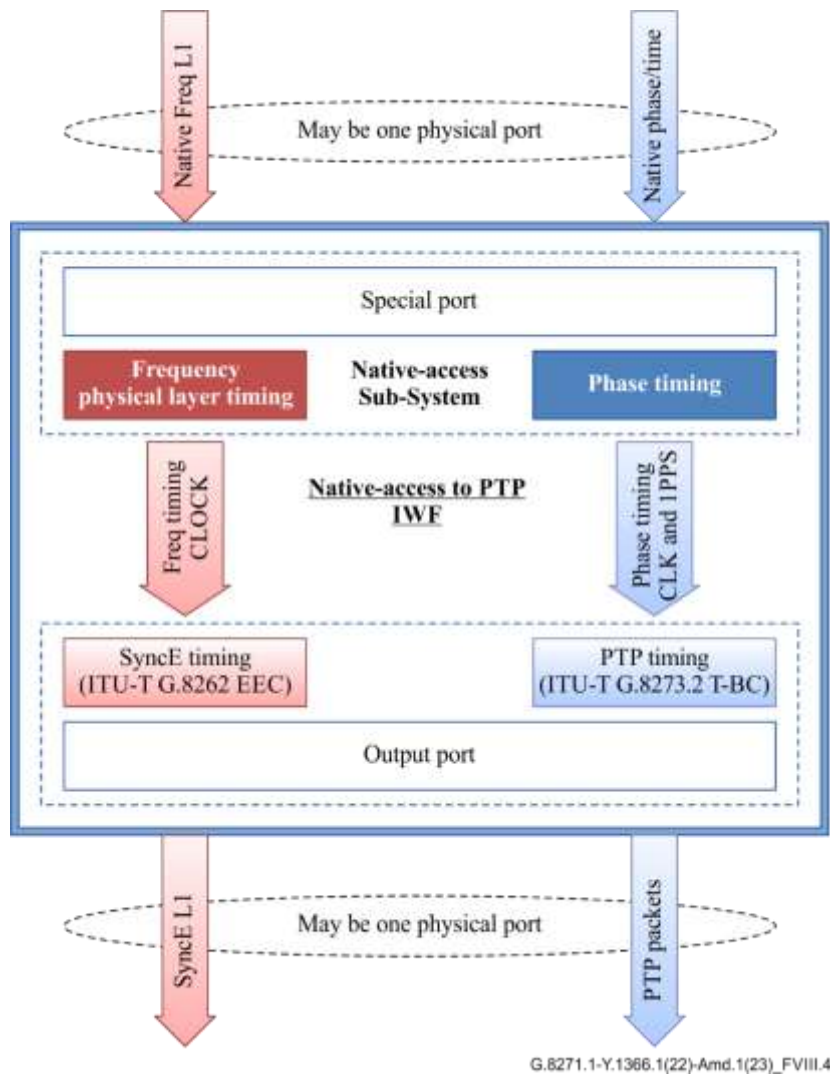
Figure VIII.3 shows an example of equipment that is transferring timing flow from native PTP to a native access medium, such as microwave equipment. Only one PTP port and one special port are shown in Figure VIII.3, although the equipment may contain multiple ports.



**Figure VIII.3 – Timing flow from PTP to native access medium (either direction)**

NOTE – In Figure VIII.3, an example is given with one physical port on each side.

Figure VIII.4 shows an example of equipment that is transferring timing flow from a native access medium to PTP, such as microwave equipment. Only one PTP port and one special port are shown in Figure VIII.4, although the equipment may contain multiple ports.



**Figure VIII.4 – Timing flow from native access medium to PTP (either direction)**

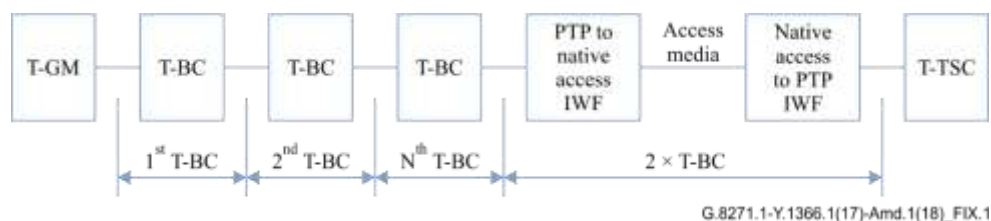
NOTE – In Figure VIII.4, an example is given with one physical port on each side.

## Appendix IX

### Models for budgeting in a chain of xPON or xDSL devices

(This appendix does not form an integral part of this Recommendation.)

Figure IX.1 shows the topology to be considered when developing budgets for chains of native access equipment (such as xPON or xDSL) functioning as chains of T-BCs.

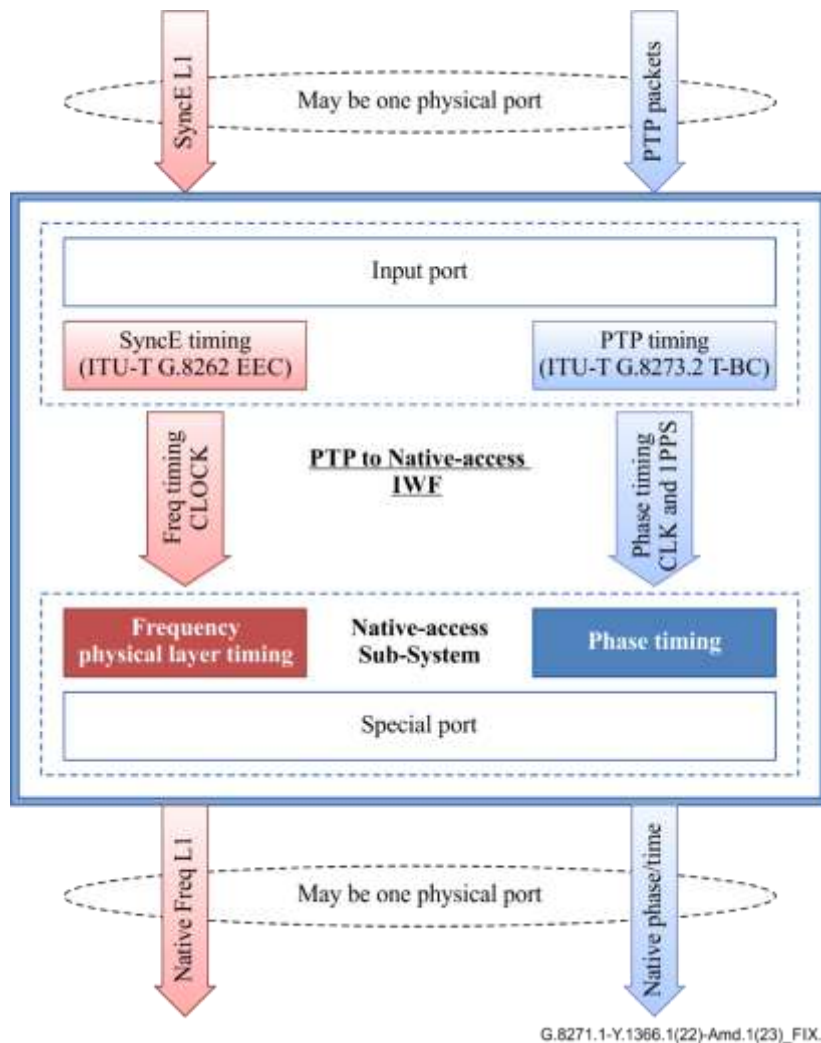


**Figure IX.1 – Network reference model for phase/time synchronization over a native access medium**

As shown in Figure IX.1, the same performance budget of the equivalent of two T-BCs may be used when developing performance budgets for access systems, e.g., xPON or xDSL. This is purely for performance estimation purposes; it does not mean that each unit (e.g., optical line terminal (OLT) and optical network terminal (ONT) in a gigabit-capable passive optical network (GPON) system) has to actually function as a PTP BC.

When measuring the performance of a GPON system, it should be fully loaded with ONTs for worst case noise generation.

Figure IX.2 shows an example of equipment that is transferring timing flow from native PTP to a native access medium, such as xPON OLT or xDSL digital subscriber line access multiplexer (DSLAM) equipment. Only one PTP port and one special port are shown in Figure IX.2, although the equipment may contain multiple ports.

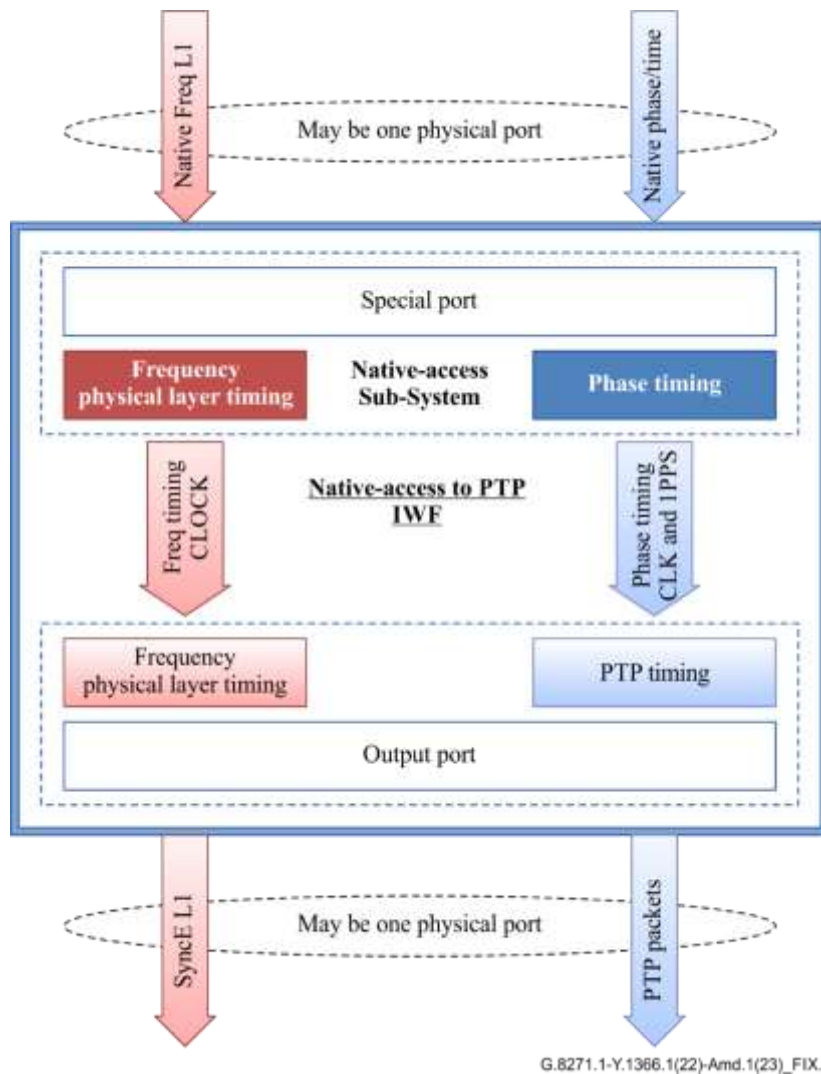


**Figure IX.2 – Timing flow from PTP to native access medium (downstream)**

NOTE – In Figure IX.2, an example is given with one physical port on each side.

Figure IX.3 shows an example of equipment that is transferring timing flow from a native access medium to PTP, such as xPON ONU or xDSL remote terminal-digital subscriber line access multiplexer (RT-DSLAM) equipment. Only one PTP port and one special port are shown in Figure IX.3, although the equipment may contain multiple ports.

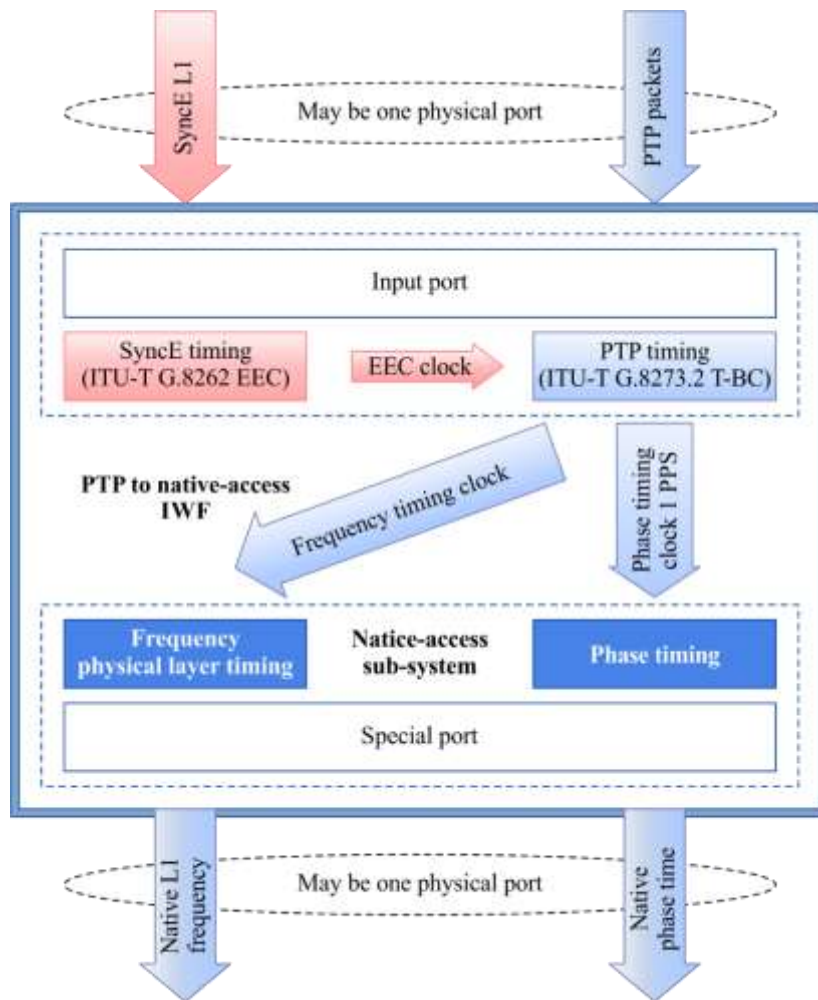




**Figure IX.3 – Timing flow from native access medium to PTP (downstream)**

NOTE 1 – In Figure IX.3, an example is given with one physical port on each side.

There are some access technologies (e.g., xPON) where the requested performance requirements cannot be met if time synchronization and frequency synchronization are delivered concurrently over the native access medium. Instead, the native access physical layer frequency is traceable to the PTP timing in these access technologies (see Figure IX.4). Nevertheless, the same performance budget of the equivalent of two T-BCs should be used when developing performance budgets for the network including access systems.



G.8271.1-Y.1366.1(22)-Amd.1(23)\_FIX.4

**Figure IX.4 – Timing flow from PTP to native access medium (downstream) with a dependence between physical layer timing and phase timing**

## Appendix X

### Time error and transients due to PTP rearrangement

(This appendix does not form an integral part of this Recommendation.)

A rearrangement of the phase/time transport occurs when a T-BC loses its phase/time input (PTP) and switches to an alternate ~~master~~/PTP input while continuing to receive its frequency input (SyncE). This alternate PTP input switchover may result in phase/time error and/or transient at the T-BC, any downstream PTP clocks, and at the end application.

The phase/time error and/or transient after switching to an alternate PTP input may be significant. Factors affecting the phase/time error and/or transient include different link, node and path delays and/or asymmetries on the alternate PTP input clock path back to the PRTC source compared with the original PTP input clock path to its PRTC source.

Details on requirements and solutions to address this issue are for further study in the relevant recommendation (e.g., requirements on the T-BC in [ITU-T G.8273.2]).

## Appendix XI

### Measurement of maximum relative time error limits

(This appendix does not form an integral part of this Recommendation.)

#### XI.1 Measurement of maximum relative time error limits

Appendix VII describes the concept of maximum relative time error between the nodes of a synchronization network or between the output ports of a single synchronization clock equipment. The measurement of maximum relative time error requires measurement equipment with a common time reference at each point in the network where the measurement is to be made or at each port of a single synchronization equipment clock where the measurement is to be. This may be physically impossible if the two points of the output signal are geographically separated, although it may be possible in a laboratory situation, or if the two points are close (such as the case of two output ports of a single synchronization clock equipment).

##### XI.1.1 Measurement in a laboratory environment

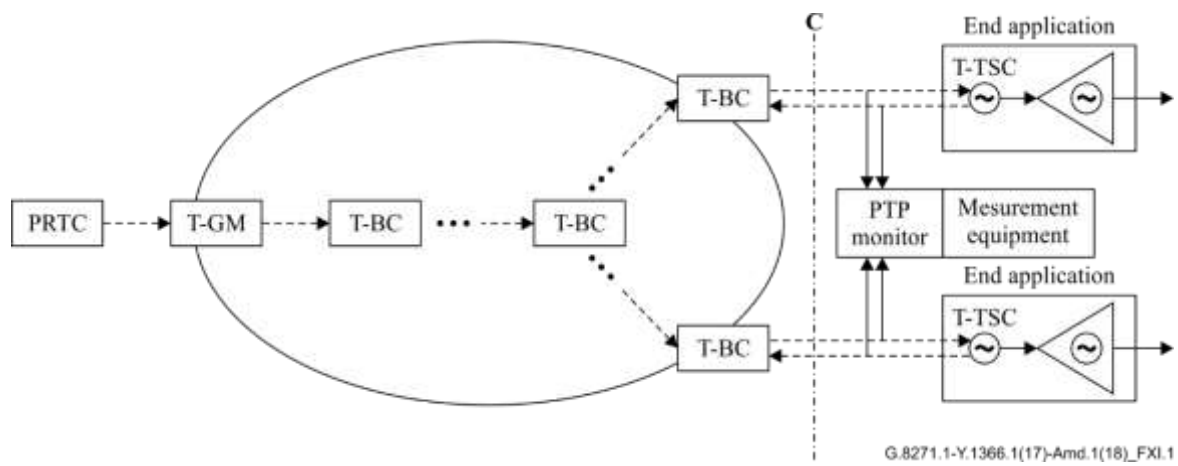
In this situation, a single piece of measurement equipment with multiple inputs is required to measure at two separate points and compare the time error at each point. Optimal results are obtained if the test equipment can measure the two ports simultaneously.

This can be done in two ways:

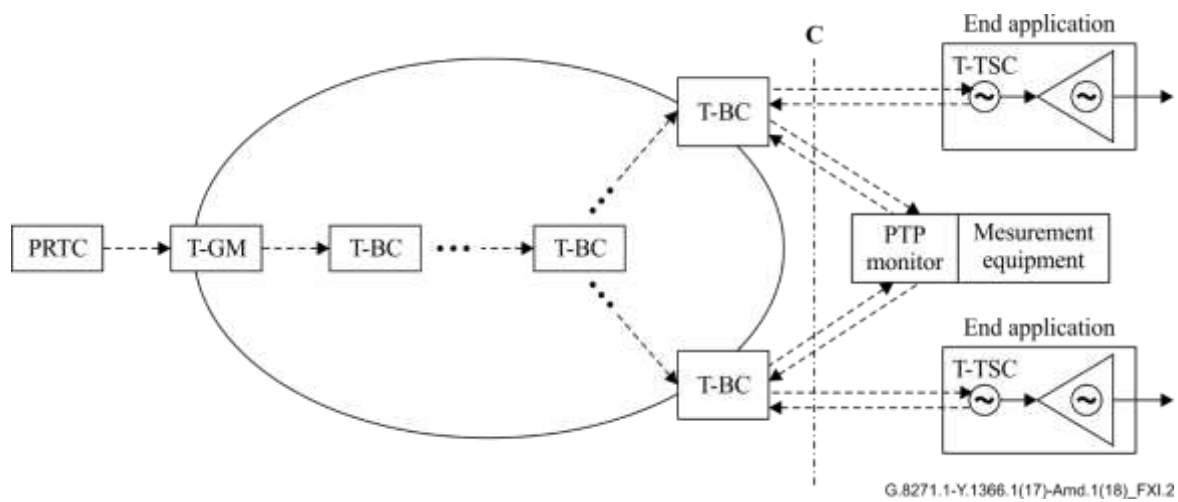
- 1) Using the input from one point as the time reference to the measurement equipment (e.g., a 1 PPS or PTP port), and measuring the other points with respect to this reference;
- 2) Measuring the time error from each point with respect to the internal time reference of the measurement equipment, and then subtracting time error of one point from the other. The measurement equipment does not require to use the same time reference as the system under test, since any difference will cancel in the subtraction process.

Figure XI.1 shows the second method, using tapped monitoring as in Figure III.2. Both active probe monitoring and 1 PPS measurement (as described in Appendix III) could also be used in a similar configuration, as shown in Figures XI.2 and XI.3. If the end application also generates a 1 PPS output for measurement purposes, this could be used instead of the 1 PPS output of the T-BC.

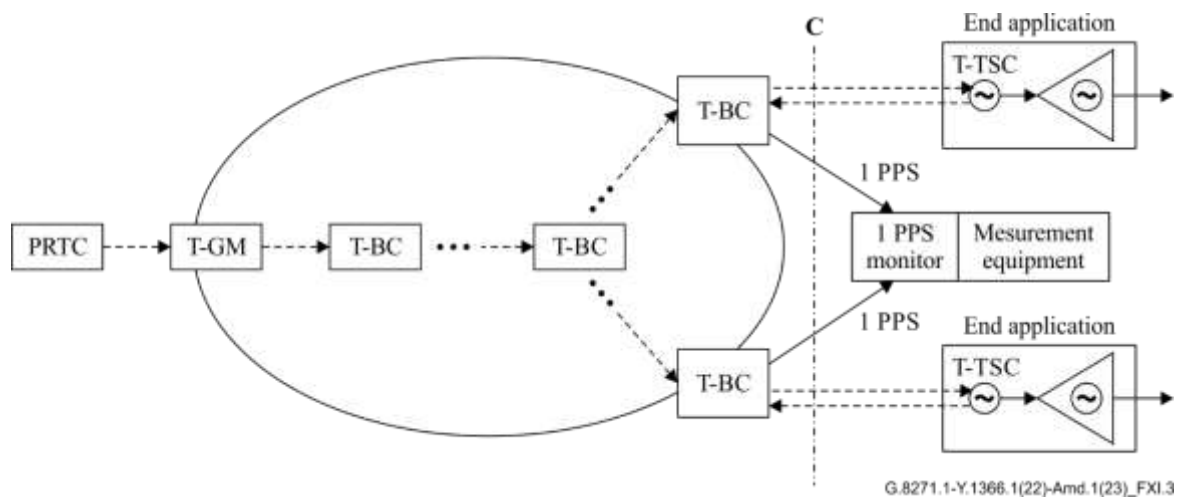
The figures below do not make any assumptions about the number of T-BCs deployed in the network. In these figures, the dotted line denoted C corresponds to reference point C in Figure 7-1. All cable delays between the T-BC and the measurement equipment must be carefully measured and compensated for in order to obtain the best accuracy possible. In addition, for PTP connections the delay asymmetry should be measured and compensated for.



**Figure XI.1 – Maximum relative time error measurement in a laboratory environment, using the tapped monitoring technique**

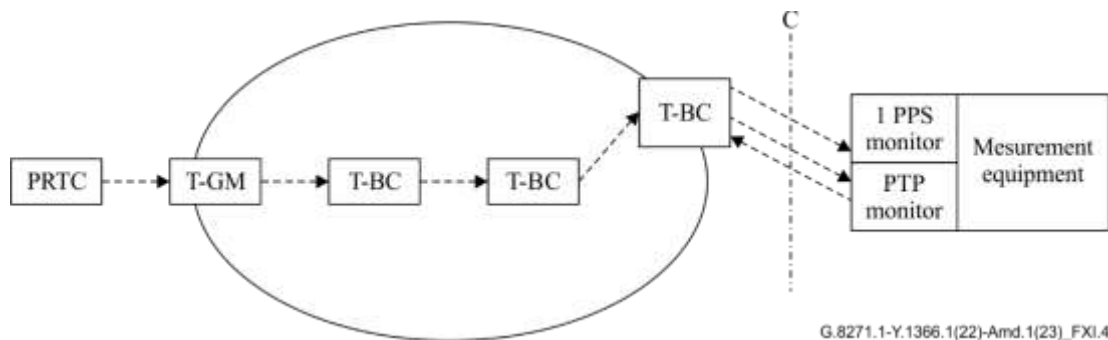


**Figure XI.2 – Maximum relative time error measurement in a laboratory environment, using the active probe monitoring technique**



**Figure XI.3 – Maximum relative time error measurement in a laboratory environment, using the 1 PPS monitoring technique**

When the relative time error is to be measured between the output ports of a single synchronization clock equipment, the use of the 1 PPS monitoring technique may be limited due to absence of multiple 1 PPS output ports in a single piece of equipment. In the case when a single 1 PPS is available, it can be selected as reference signal to be compared to other ports (e.g., PTP ports), as shown in Figure XI.4.



**Figure XI.4 – Maximum relative time error measurement on a T-BC between the 1 PPS port and the PTP port(s)**

### XI.1.2 Measurement in a field environment

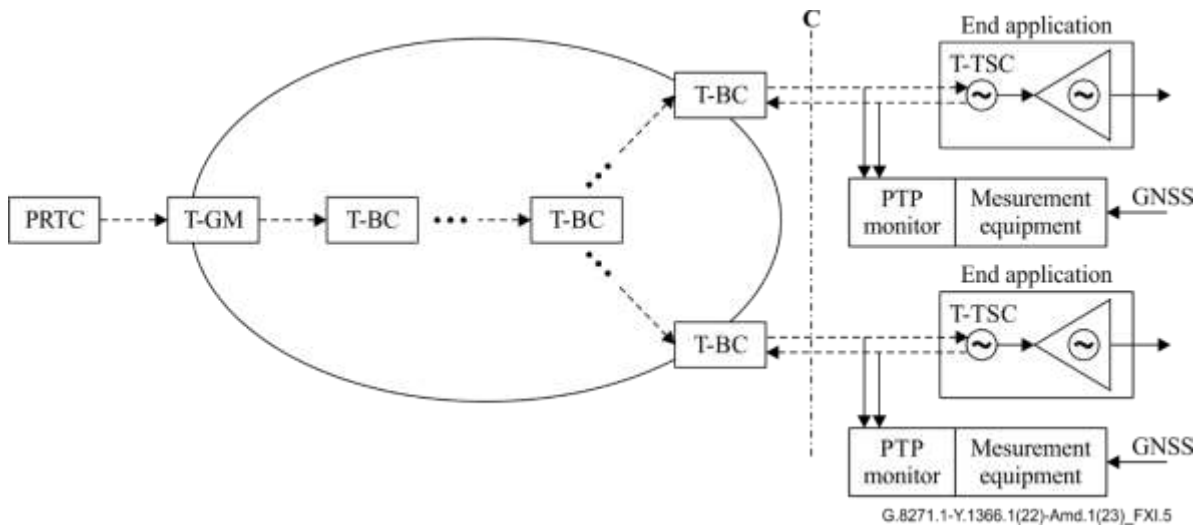
In this situation, the two points being measured are typically geographically separated, such that is not possible to use a single piece of measurement equipment. The procedure is to make two separate simultaneous time error measurements, and subtract one from the other.

In order to make measurements that can be compared, the two pieces of measurement equipment will need to be referenced to the same time reference. This can be achieved by using a GNSS receiver in each piece of measurement equipment, although the accuracy of the GNSS receivers must be taken into account when comparing the two values. For example, if the GNSS receivers each have an accuracy of  $\pm x$  ns, the potential error in the measurement is at least  $\pm 2x$ .

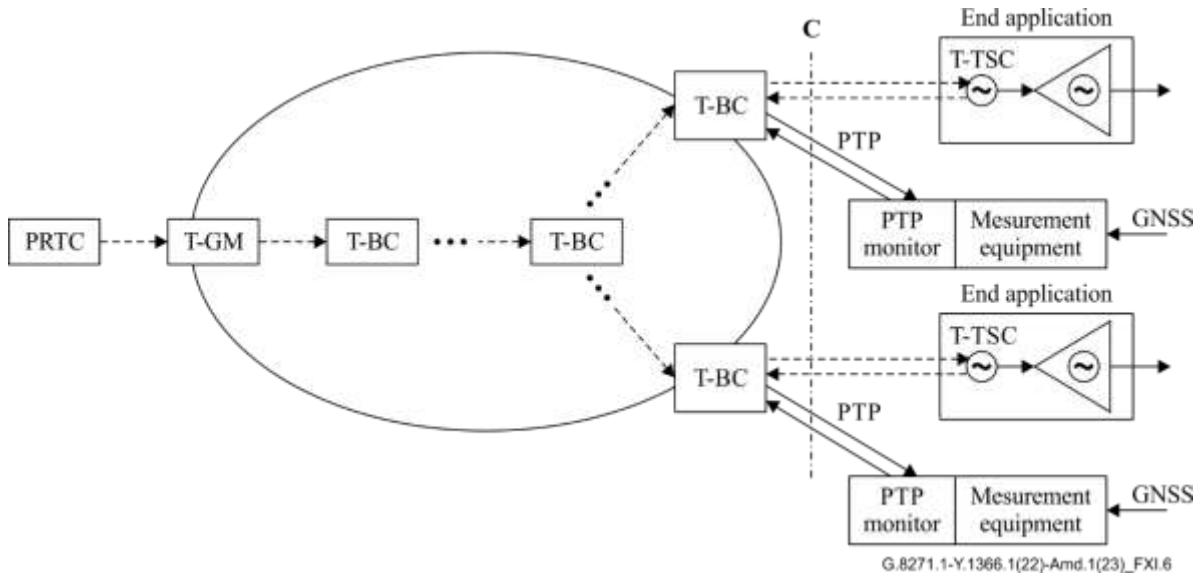
For some of the requirements identified in Table 2 of [ITU-T G.8271], the accuracy of the GNSS receivers will be a significant fraction of the measurement limit. However, given that these requirements always apply to overlapping coverage areas from neighbouring base stations, it might be expected that much of the systematic error (i.e., satellite position, velocity and time error, and ionospheric delay) should be common between the two locations, since they will be reasonably close together. Also, time calibration-compensation of both items of measurement equipment (preferably in a location close to the test sites) prior to the test may reduce this time error contribution.

Figure XI.54 shows the measurement method, using tapped monitoring as in Figure III.2. The tapped monitoring method requires temporarily breaking the link between the T-BC and T-TSC, which may not be acceptable for in-service equipment due to the interruption of active traffic. Therefore, in the field it may be more appropriate to use either active probe monitoring or 1 PPS measurement. These are shown in Figures XI.65 and XI.76. If the end application also generates a 1 PPS output for measurement purposes, this could be used instead of the 1 PPS output of the T-BC.

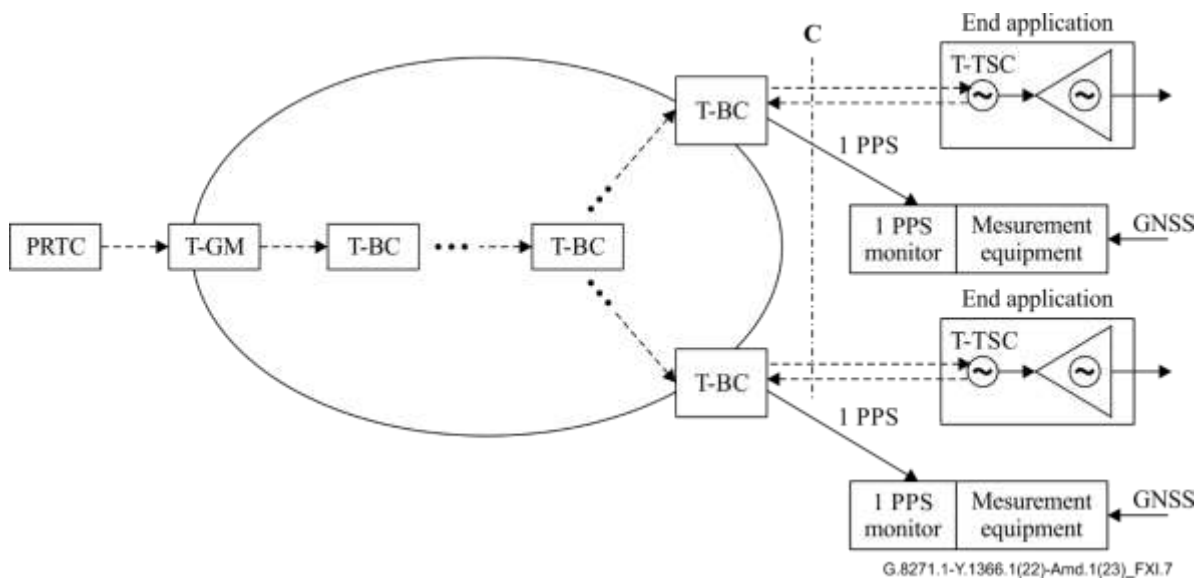
The figures below do not make any assumptions about the number of T-BCs deployed in the network. In these figures, the dotted line denoted C corresponds to reference point C in Figure 7-1. All cable delays between the T-BC and the measurement equipment, and from the GNSS antenna to the measurement equipment must be carefully measured and compensated for in order to obtain the best accuracy possible. In addition, for PTP connections the delay asymmetry should be measured and compensated for.



**Figure XI.54 – Maximum relative time error measurement in a field environment, with geographically separated measurement points and tapped monitoring**



**Figure XI.65 – Maximum relative time error measurement in a field environment, with geographically separated measurement points and active monitoring**



**Figure XI.76 – Maximum relative time error measurement in a field environment, with geographically separated measurement points and 1 PPS monitoring**

When the relative time error is to be measured between the output ports of a single synchronization clock equipment, the use of the 1 PPS monitoring technique may be limited due to absence of multiple 1 PPS output ports in a single piece of equipment.

### XI.1.3 Measurement in a field environment using radio signals

The alternative to measuring the wireline connection on the backhaul interface is to measure the output of the base station, i.e., the radio signal. While the two base stations are geographically separated, the maximum relative time error requirement applies to the area of overlapping coverage between the two. Therefore, it is possible to measure the time alignment of the radio signals simultaneously at any point within the overlapping coverage area. This allows the measurement to be made by a single piece of measurement equipment with two radio interfaces and a common time reference, removing the error caused by having separate GNSS receivers in each test set.

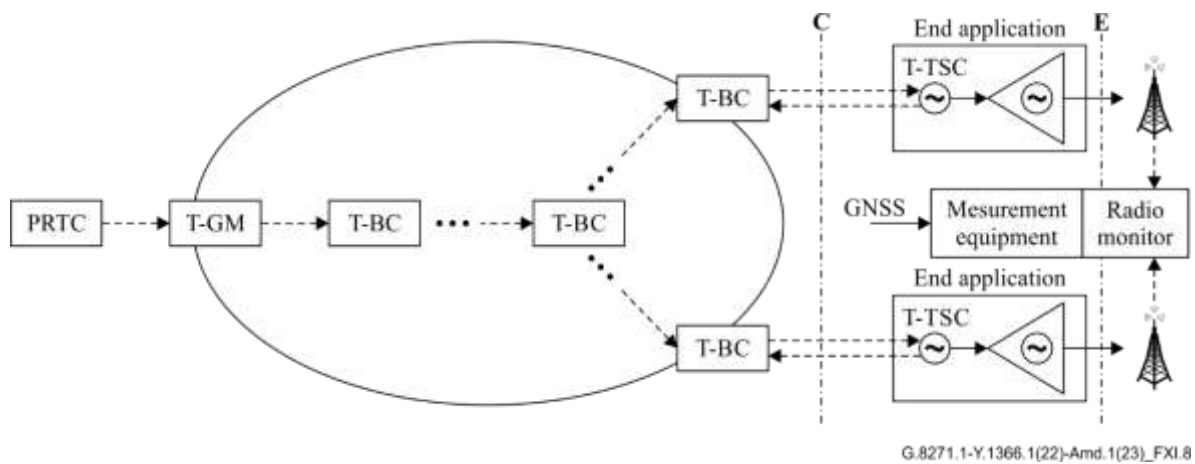
Figure XI.78 shows the measurement method, using a single piece of measurement equipment monitoring both the radio signals. This is a passive measurement based on observing the phase of the radio frames using methods similar to the radio interface based synchronization (RIBS) described in [b-3GPP TR 36.898]. The measurement equipment is not required to function as a user equipment (UE) in order to make this phase measurement.

It is not strictly necessary for the measurement equipment to be GNSS-referenced, since the radio signals are compared to the same clock within the measurement equipment. However, if the absolute time error of the radio signals to the PRTC is required to be measured, then the measurement equipment must be GNSS referenced.

The mobile radio standards specify the time alignment of the radio signals at the antenna location. Therefore, to correctly calculate the maximum relative time error between the signals, the path delay from each antenna to the measurement equipment must be compensated for. This may be calculated from the positions of the antennas and the measurement equipment, provided these are accurately known, and the signal paths are direct (i.e., not reflected off nearby buildings or geographic features).

As before, the figure does not make any assumptions about the number of T-BCs deployed in the network. In this figure, the dotted line denoted C corresponds to reference point C in Figure 7-1, and the line denoted E corresponds to reference point E in the same diagram.





**Figure XI.87 – Maximum relative time error measurement in a field environment, monitoring the time alignment of the radio signals**

## XI.2 Estimation of maximum absolute relative time error

### XI.2.1 General considerations

The end goal of the  $\max|TE_R|$  network limit specification is to ensure the mobile radio transmitters do not exceed the time alignment error (TAE) specification. This is defined in [b-3GPP TS 38.104] as *"the largest timing difference between any two signals belonging to different antenna connectors for a specific set of signals/transmitter configuration/transmission mode"*.

Hence the requirement is not to measure the continuous relative time error,  $TE_R(t)$ , but to measure the maximum possible value it can take.

For the case of measurement of two co-located ports in the laboratory (see clause XI.1.1), the ideal case is when a single test equipment can simultaneously measure the two ports TE (as per Figures XI.1 to XI.4), then perform the real time difference and produce an accurate  $TE_R$ , as well as its filtered variants (e.g.,  $cTE_R$ ,  $dTE_{LR}$ ).

However, some consideration can be made allowing for some conservative estimates that may be useful in a field environment where the points being measured are not co-located (see clause XI.1.2), and it is not possible to use a single piece of equipment to test the  $\max|TE_R|$ . As a first step, a conservative approach can be used to estimate the  $\max|TE_R|$ .

$\max|TE_R|$  can be estimated from overall measurements of the time signals such as the maximum and minimum time error values using the following relationship:

$$\max|TE_R|(1, 2) \leq \text{the greatest of } \begin{cases} \max TE(1) - \min TE(2) \\ \max TE(2) - \min TE(1) \end{cases} \quad (\text{XI-1})$$

Using overall statistics such as the  $\max TE$  and  $\min TE$  has several benefits:

- The sample rates do not need to be identical. For example, the  $\max TE$  of a PTP signal at 16 packets/s can be compared to the  $\max TE$  of a 1 PPS signal without having to equalise the sample rates.
- The samples do not need to be aligned in time, since the time signals are not being compared continuously to calculate  $TE_R(t)$ .
- The signals do not need to be measured simultaneously, provided the measurements are run for long enough to capture the entire range of the two signals. They could be measured sequentially, provided the same reference clock is used for each measurement.

The expression is conservative in that it does not consider any common mode noise between the two time signals. It will always over-estimate the actual value, provided the measurements are long

enough and the same reference is used for both measurements. Therefore, if the  $\max|TE_R|$  estimated according to this method is below the permitted limit, then the network is operating within the specified constraints. If the estimate exceeds the limit, further analysis may be required to determine if the actual  $\max|TE_R|$  exceeds the limit.

### Use of measurement filters

#### XI.2.2 Use of measurement filters

The maximum and minimum time errors of a timing signal are affected by high-frequency noise and transients as a single "spike" in a measurement may affect the maximum or minimum values. This could significantly affect the estimation of  $\max|TE_R|$ .

However, the next device in the chain of clocks (e.g., a T-TSC or T-BC) will contain a low-pass filter. For example, an ITU-T G.8273.2 clock is specified as having a bandwidth between 0.05 and 0.1 Hz. The effect on the next device will be smoothed out by the filter, and it would be unnecessarily pessimistic to calculate  $\max|TE_R|$  from the maximum and minimum values of the unfiltered PTP time signals.

In practice, therefore, most network limits use filtered measurements (e.g., the  $\max|TE_L|$  limit defined in this Recommendation, which specifies a 0.1 Hz low-pass measurement filter. The same consideration should be used for  $\max|TE_R|$ , and the low-pass filtered version is termed  $\max|TE_{RL}|$ . The bandwidth of any measurement filter to be applied should be specified in any network limit defined.

The formula for estimating  $\max|TE_{LR}|$  from the low-pass filtered time error sequences is then:

– for cases when a single test equipment can simultaneously measure both ports and perform the low pass filtering applied to the real time difference  $TE_R$ :

$$\max|TE_{RL}|(1, 2) \leq \text{the greatest of } \begin{cases} \max TE_L(1) - \min TE_L(2) \\ \max TE_L(2) - \min TE_L(1) \end{cases} \quad (\text{XI-2})$$

– for other cases, using the conservative approach:

$$\max|TE_{RL}|(1, 2) \leq \text{the greatest of } \begin{cases} \max TE_L(1) - \min TE_L(2) \\ \max TE_L(2) - \min TE_L(1) \end{cases} \quad (\text{XI-3})$$

## Appendix XII

### Examples of design options for fronthaul and clusters of base stations

(This appendix does not form an integral part of this Recommendation.)

#### XII.1 Requirements

In the following discussion, the terms centralized unit (CU), distributed unit (DU) and radio unit (RU) are described in [b-ITU-T G.8300].

The applicable synchronization requirements for a fronthaul network are:

- accuracy level 4 from Table 1 of [ITU-T G.8271]  
NOTE 1 – This requirement is related to the 3GPP Cell Phase Sync requirement of 3  $\mu$ s to support TDD operations, however it is generally interpreted as being  $\pm 1.5 \mu$ s with respect to a common recognized time standard;
- accuracy levels 4A, 6A and 6B from Table 2 of [ITU-T G.8271].

Two main synchronization architectures can be defined: *intra-station*, (i.e., synchronization distributed within a building from a common co-located clock via a logical star topology), and *inter-station*, (i.e., synchronization from a remote master-time Transmitter via a chain of cascaded clocks).

These definitions are clarified with an example in Figures XII.1 and XII.2:

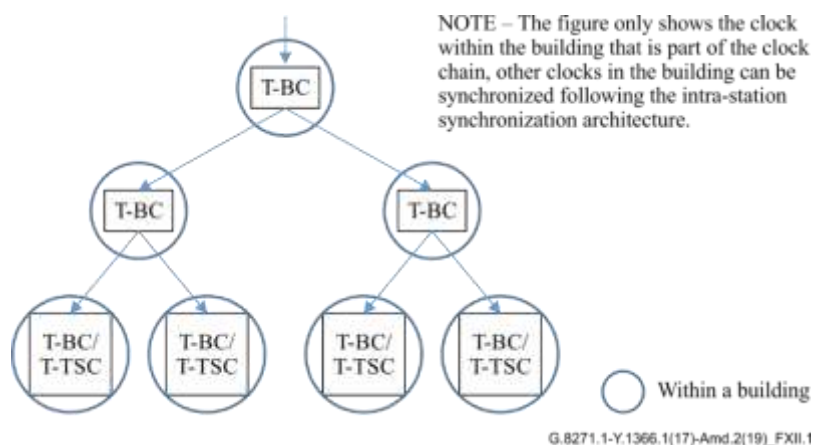


Figure XII.1 – Example of inter-station synchronization (non co-located clocks)

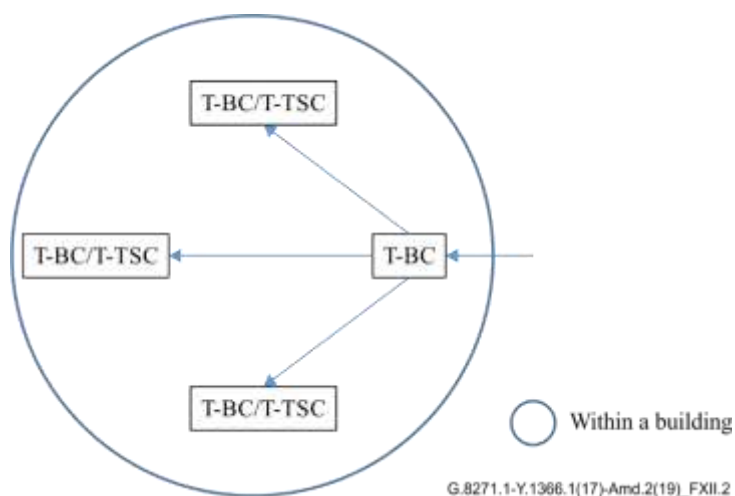


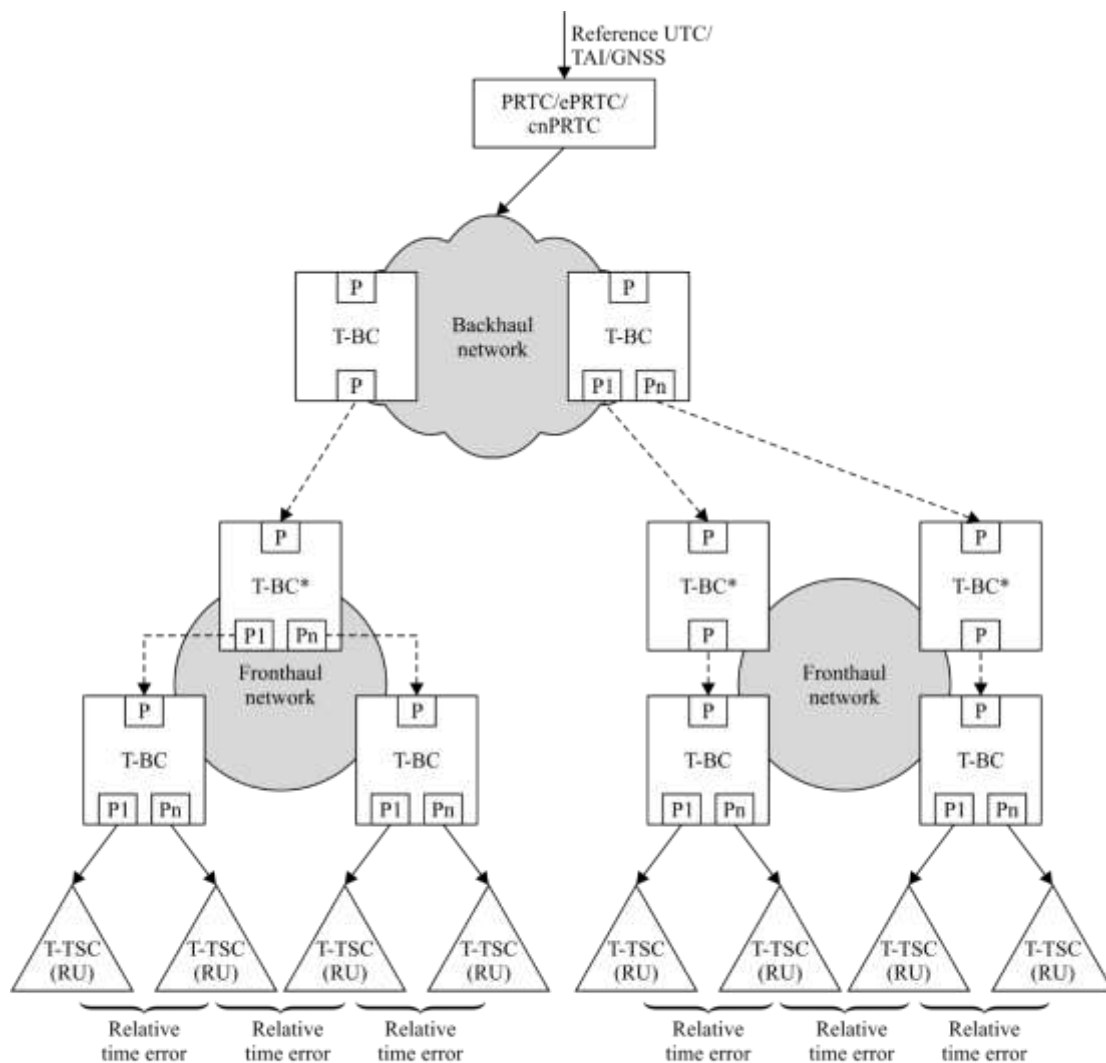
Figure XII.2 – Example of intra-station synchronization (co-located clocks)

With respect to these synchronization architectures, the following is considered in this appendix:

- **Intra-station synchronization:** with reference to [ITU-T G.8271], this concerns accuracy levels 4, 4A, 6A and 6B (with particular focus on 6B being the one with the most stringent requirements)
- **Inter-station synchronization:** with reference to [ITU-T G.8271], this concerns level of accuracy 4, 4A and 6A.

NOTE – The intra-station synchronization architecture is one of the possible synchronization solutions for cases when RUs are co-located. In some cases, other schemes are also possible. See clause XII.3.

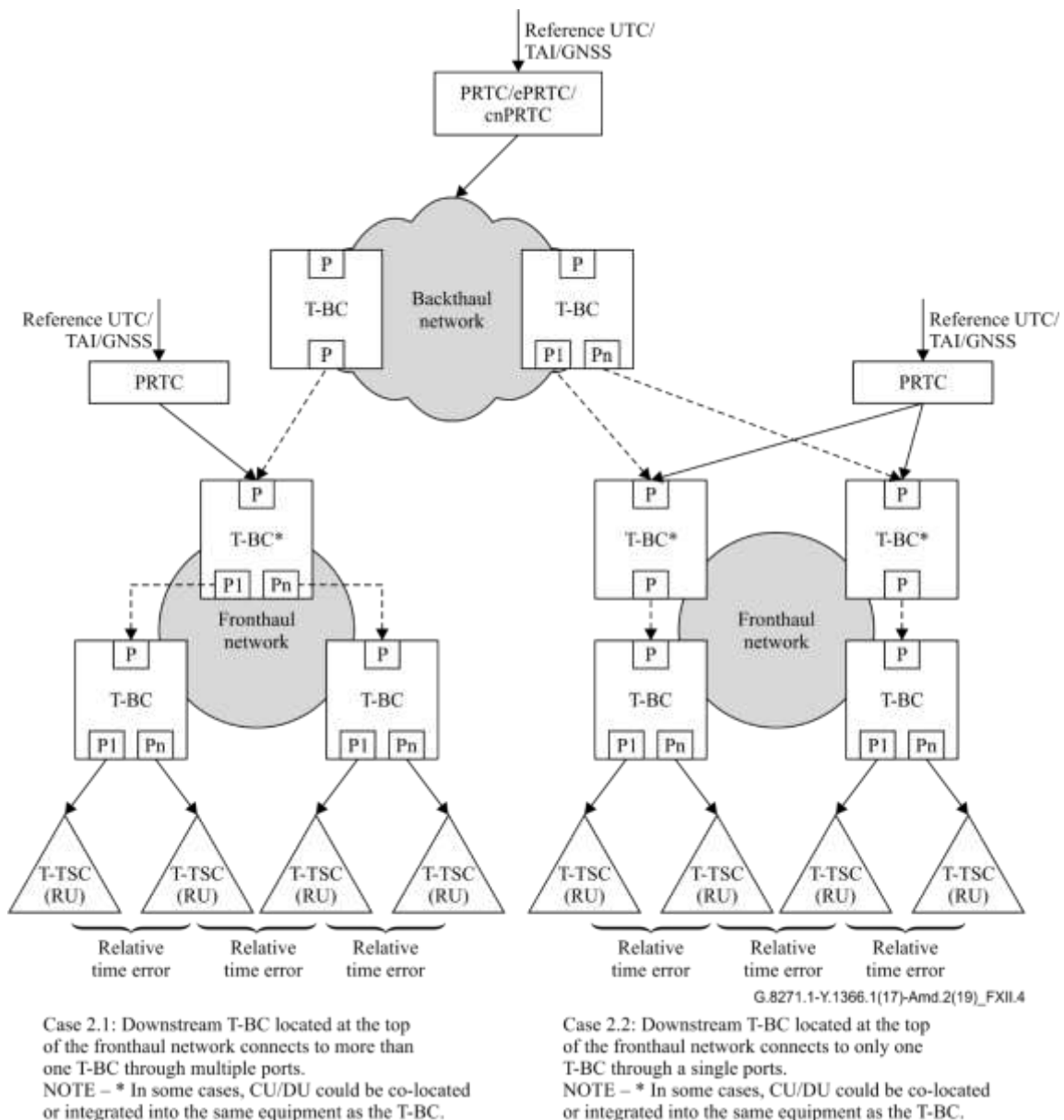
## XII.2 Fronthaul architectures for packet-based time/phase distribution



Case 1.1: Downstream T-BC located at the top of the fronthaul network connects to more than one T-BC through multiple ports.  
NOTE – \* In some cases, CU/DU could be co-located or integrated into the same equipment as the T-BC.

Case 1.2: Downstream T-BC located at the top of the fronthaul network connects to only one T-BC through a single port.  
NOTE – \* In some cases, CU/DU could be co-located or integrated into the same equipment as the T-BC.

**Figure XII.3 – Case 1: Time distribution to ~~slave clocks~~ (T-TSC integrated into RUs) from PRTC/ePRTC/cnPRTC located at the backhaul network**



**Figure XII.4 – Case 2: Time distribution to slave clocks (T-TSC integrated into RUs) from PRTC located at the fronthaul network**

### XII.3 Failure scenarios

There are two main failure scenarios considered for fronthaul networks.

- a) Timing failures at a link of the fronthaul network that cause SyncE and PTP rearrangements. During this period, the phase/time error of the fronthaul network and RUs will have a phase transient due to a PTP rearrangement, which could exceed the requirement of fronthaul network; after this short period, the fronthaul network and the RU nodes will lock to PRC traceable SyncE signal and the PRTC traceable PTP signal, and the relative phase/time error of RUs will meet requirement again.
- b) Timing failures at the input reference of the fronthaul network, which cause the fronthaul network to firstly have a SyncE and PTP rearrangement and then enter holdover. During the period of the rearrangement, the phase/time error of the fronthaul network and RUs will have a phase transient, which could exceed the phase/time requirement of the fronthaul network; after this short period, the end application clocks and T-BCs of the fronthaul network will lock to a new common T-BC that is within holdover requirements, and the relative phase/time error of the RUs will meet the requirement again.

For both failure cases a and b, during the period of rearrangement and holdover of the fronthaul network, it is better to let each T-TSC collocated with an RU to be locked to the respective T-BC of the fronthaul transport network that it is connected to, instead of going into holdover; this can reduce the relative time error of different RU clocks.

#### XII.4 Synchronization options

For co-located RUs where relative time error requirements apply (e.g., as per accuracy level 6B), in some cases it may be more convenient to meet the synchronization needs of these applications within the radio system, e.g., over the radio, via a direct link, or with a fully integrated design. This is out of the scope of this Recommendation.

Alternatively, a distributed synchronization method consists in implementing a local PRTC (typically a GNSS receiver) directly inside the end application (e.g., RU)

#### XII.5 Relative time error budget allocation

The case of interest for relative time error budget allocation and for the dimensioning of the network is for  $TAE \leq 260$  ns (level of accuracy 6A), as this is the most stringent requirement applicable to nodes that are geographically distributed, as also clarified in clause XII.1.

If the end application is the RU, various options may exist for the related time error budget. The budget depends on several factors, such as antenna types, filters, cascaded radios, etc. Two examples are included in [b-eCPRI Transport] and [b-IEEE 802.1CM]:

- 1) RU with  $\max|TE|$  of less than 35 ns
- 2) RU with  $\max|TE|$  of less than 80 ns

Both of these are for the case of an integrated PTP clock within the RU.

In general, a RU may or may not meet the  $\max|TE|$  of 35 ns, but in the great majority of the cases it should meet  $\max|TE|$  of 80 ns. Requirements in clause 7.3.35 of this Recommendation are based on the more conservative assumption of 80 ns  $\max|TE|$  as this would allow the majority of the cases to be covered, especially as an operator may not be aware of all variety of end nodes that the network needs to serve. However, both examples are provided for information in this appendix (the first one assuming  $\max|TE|$  of 35 ns, and a second one assuming  $\max|TE|$  of 80 ns).

It is also assumed conservatively that the end application noise is linearly added to the network budget.

Based on  $TAE = 260$  ns (level of accuracy 6A), the following cases are possible for the budget available to the network:

- RU with  $\max|TE| \leq 35$  ns: 190 ns available to the network  
( $TE_R = 260 \text{ ns} - 2 \times 35 \text{ ns} = 190 \text{ ns}$ )
- RU with  $\max|TE| \leq 80$  ns: 100 ns available to the network  
( $TE_R = 260 \text{ ns} - 2 \times 80 \text{ ns} = 100 \text{ ns}$ )

In the following tables, example calculations are shown for the total relative time error ( $TE_R$ ) between the inputs of the end applications. Parameter  $M$  is the total number of ITU-T G.8273.2 T-BC clocks from the common T-BC to the T-BC before the end application (see Figure II.6).

**Table XII.1 – Details of the time error budget for a fronthaul network using T-BC class C**

<b>M</b>	<b><math>cTE_R</math> (common T-BC) (Note 1)</b>	<b><math>cTE</math> (other T-BCs) (Note 2)</b>	<b><math>dTE_{RL}</math> (Note 3)</b>	<b>Link asymmetry (Note 4)</b>	<b>Total time error (<math>TE_{RL}</math>)</b>
3	12 ns	$4 \times 10$ ns	14 ns	10 ns	76 ns
4	12 ns	$6 \times 10$ ns	18 ns	10 ns	100 ns
5	12 ns	$8 \times 10$ ns	21 ns	10 ns	123 ns
6	12 ns	$10 \times 10$ ns	24 ns	15 ns	151 ns
7	12 ns	$12 \times 10$ ns	28 ns	15 ns	175 ns
8	12 ns	$14 \times 10$ ns	32 ns	15 ns	199 ns

**Table XII.2 – Details of the time error budget for a fronthaul network using T-BC class B**

<b>M</b>	<b><math>cTE_R</math> (common T-BC) (Note 1)</b>	<b><math>cTE</math> (other T-BCs) (Note 2)</b>	<b><math>dTE_{RL}</math> (Note 3)</b>	<b>Link Asymmetry (Note 4)</b>	<b>Total Time Error (<math>TE_{RL}</math>)</b>
1	40 ns	$0 \times 20$ ns	14 ns	5 ns	59 ns
2	40 ns	$2 \times 20$ ns	26 ns	5 ns	111 ns
3	40 ns	$4 \times 20$ ns	37 ns	10 ns	167 ns
4	40 ns	$6 \times 20$ ns	47 ns	10 ns	217 ns

NOTE 1 – This value is based on the relative constant time error  $cTE_R$  for a T-BC class C and a conservative estimate of  $2 \cdot cTE$  for a T-BC class B.

NOTE 2 – The total number of T-BCs between the end points, excluding the common T-BC is  $2 \times (M-1)$ . This value is multiplied by the value of  $cTE$  for the appropriate clock type.

NOTE 3 – These values are based on simulations. The use of physical layer frequency support was assumed in the simulations. In the analysis of the  $dTE_{RL}$  an extra T-BC was considered to emulate the relative time error of the common T-BC. Additional information on the simulations is planned to be published in [b-ITU-T G.Sup65].

NOTE 4 – A total of between 5 ns and 15 ns is allocated for uncompensated asymmetry for short chains, depending on the number of links.

It should be noted that fronthaul networks are typically only a few km in order to control latency. Therefore, for a small and controlled fronthaul network this seems to be an achievable target. 20 km corresponds to approximately 100  $\mu$ s delay through a fibre, which is generally assumed to be the maximum allowed latency for these types of networks.

When asymmetry is not compensated (e.g., due to the use of different wavelengths), a slightly larger budget may need to be taken into account. As an example, a single bi-directional link using different wavelengths may slightly exceed 10 ns asymmetry. In the following examples the assumption is that when more than 1 or 2 links are used (e.g.,  $M \geq 3$ ), this asymmetry is taken into account and compensated for.

Based on the total time error shown in Tables XII.1 and XII.2, the following limits apply for parameter  $M$ :

For a fronthaul network using T-BC class C:

- $M \leq 4$  with 100 ns budget available for the network (RU with 80 ns max  $|TE|$ )
- $M \leq 7$  with 190 ns available for the network (RU with 35 ns max  $|TE|$ )

For a fronthaul network using T-BC class B:

- $M = 1$  with 100 ns budget available for the network (RU with 80 ns max  $|TE|$ )
- $M \geq 3$  with 190 ns available for the network (RU with 35 ns max  $|TE|$ )

It should be noted that  $M \leq 4$  should cover most of the network deployments for this type of applications.

When a distributed synchronization method is used with a local PRTC-A embedded in the RU end application:

- Levels of accuracy 3A and 4A can be met;
- Level of accuracy 6A might be generally met, but the detailed budget allocation is for further study;
- Meeting the requirements for level of accuracy 6B is for further study.

## **XII.6 Network design guidelines and measurement of the network limits**

In order to design a synchronization network that is suitable to support the need of a fronthaul network and clusters of base stations, and measure its performance, the following steps can be followed:

- 1) With reference to Figure II.6, design the synchronization network with a value  $M \leq 4$  (when using Class C T-BCs) or  $M = 1$  (when using Class B T-BCs).

NOTE 1 – As described in clause XII.5, a worst-case scenario is assumed where some end application clocks may have a  $\max|TE|$  of 80 ns. Longer chains of T-BCs may also be possible if all the connected end-applications clocks have a  $\max|TE|$  of 35 ns.

In case of clock chains longer than the above maximum values of  $M$ , the network limits defined in clause 7 for the PRTC deployed in the access may not apply. These deployments are under the responsibility of the operator and are for further study.

NOTE 2 – [ITU-T G.8273.2] defines the limits on relative time error between time output ports for a class C T-BC. The relative time error performance of the nearest common T-BC to the end applications is one of the contributors to the relative time error budget for the network. This is particularly important for applications where relative time error shall be controlled.

- 2) The network performance can be measured with respect to an absolute reference (relative to UTC) of appropriate accuracy (Note – The time error generated by the test equipment and its associated PRTC or internal time reference must be taken into account when evaluating the measurement results). Two main use cases can be identified for that:

- 2a) The T-GM is centralized. In this case the performance is measured over the synchronization network composed by  $\max N$  clocks, (e.g., see Figure II.3) targeting the requirements as per clause 7.3.1.

In this way, the possibility to meet the TDD cell phase synchronization requirement over the air interface is verified. More stringent relative time error requirements that may be applicable in fronthaul (e.g., TAE < 260 ns) are only indirectly verified (i.e., implied by the length of the chain ( $M$ ) and type of clocks used (Class C)). Additional measurements may be performed when there is a need to verify exact performance in terms of relative time error between two specific end points (e.g., in case problems are detected in the network).

- 2b) The T-GM is collocated with the common T-BC: in this case the performance is measured over the synchronization network of maximum  $M = 4$  class C or  $M = 1$  class B T-BC clocks (see Figure II.6). In this case the network limit is provided in clause 7.3.35. The fulfilment of the network limits requirements, combined with the adherence to the network design guidelines, indirectly verify that the requirements applicable in fronthaul (e.g., TAE < 260 ns) are met. At the same time, the less stringent TDD cell phase synchronization requirement would also be met.

This approach to measure the network performance can be particularly useful at the time of deploying the network. In fact, in this case it is not possible to predict all possible pairs of end points that need to fulfil relative time error requirement, and the only option is to perform absolute measurement at single network reference points.



During network operation, and when a pair of end points that need to meet the relative requirement is identified, where possible, a direct comparison of the timing signal of the base stations output radio signal would provide an exact verification whether the synchronization performance is met (in this case the target requirement is the requirement applicable over the air interface, e.g., TAE < 260 ns).

Additional methods to verify the network performance in the field are possible. As an example, clause XI.2 provides a methodology for a conservative estimate of the  $\max|TE_R|$ . As also indicated in clause XI.2, if this estimate exceeds the limit, further analysis may be required to determine if the actual  $\max|TE_R|$  exceeds the limit. The analysis described in this appendix could be performed by checking the performance as indicated above, either point 2a or 2b depending on the PRTC location.

At the same time, the method described in clause XI.2 may be considered as a complement to the network performance measurement described earlier, in particular, for the case where the T-GM is centralized (case 2a), and especially in cases where issues are found in the network.

## Appendix XIII

### High-accuracy time transfer

(This appendix does not form an integral part of this Recommendation.)

#### XIII.1 Use-cases

High-accuracy time transfer (HA-TT) specification is needed for following main use-cases:

- 1) Point-to-point time transfer for providing reference signals to supervise functions such as ePRTC or cnPRTC clock combiners by external measurements.
- 2) Point-to-point time transfer to connect cnPRTC clock combiners to build up a meshed network cnPRTC architecture (see Appendix VI of [ITU-T G.8275]).
- 3) Point-to-point time transfer to serve dedicated customers with a guaranteed performance, for example, providing remote access to a UTC(k) reference. This application is for further study.

#### XIII.2 Optical components and calibration compensation

Calibration Compensation is needed, considering compensation for chromatic dispersion depending on the wavelength pair used, and for the Sagnac effect related to the Earth's rotation depending on west-east distance. Specific technology and related systems have their specific calibration compensation methods. It could require using technology from same type or vendor.

To overcome the attenuation of optical signals, e. g. with maximum length of 80 km per field, optical amplifiers can be used. For longer links, to limit noise accumulation, optical-electrical-optical converters may be needed at some locations instead of optical amplifiers.

#### XIII.3 External interfaces at HA-TT-Source and HA-TT-Sink:

Examples for external interfaces are 1 PPS, 10 MHz, time of day (ToD), PTP and SyncE, according to their ITU-T specification.

#### XIII.4 Reference chain:

Figure XIII.1 shows a reference chain for high-accuracy time transfer.

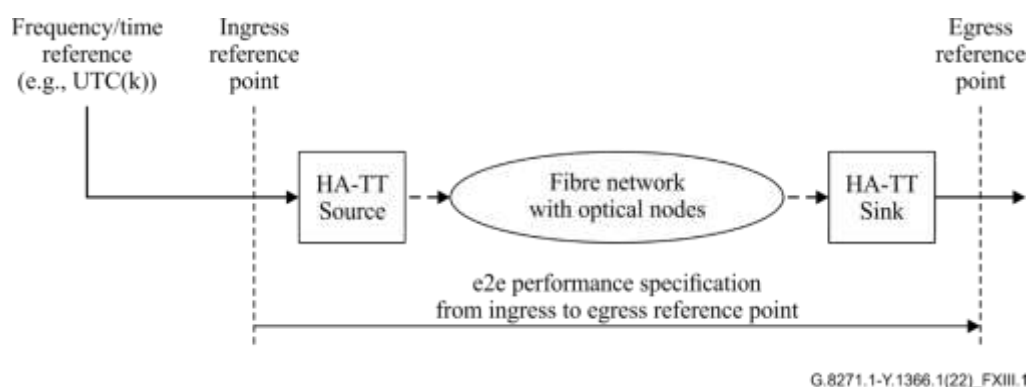


Figure XIII.1 – Reference chain for high-accuracy time transfer

## Bibliography

- [b-ITU-T G.803] Recommendation ITU-T G.803 (2000), *Architecture of transport networks based on the synchronous digital hierarchy (SDH)*.
- [b-ITU-T G.811.1] Recommendation ITU-T G.811.1 (2017), *Timing characteristics of enhanced primary reference clocks*.
- [b-ITU-T G.812] Recommendation ITU-T G.812 (2004), *Timing requirements of slave clocks suitable for use as node clocks in synchronization networks*.
- [b-ITU-T G.823] Recommendation ITU-T G.823 (2000), *The control of jitter and wander within digital networks which are based on the 2048 kbit/s hierarchy*.
- [b-ITU-T G.8262] Recommendation ITU-T G.8262/Y.1362 (2018), *Timing characteristics of synchronous equipment slave clock*.
- [b-ITU-T G.8273] Recommendation ITU-T G.8273/Y.1368 (2018), *Framework of phase and time clocks*.
- [b-ITU-T G.8300] Recommendation ITU-T G.8300 (2020), *Characteristics of transport networks to support IMT-2020/5G*.
- [b-ITU-T G.Sup65] ITU-T G Series Supplement 65 (2018), *Simulations of transport of time over packet networks*.
- [b-3GPP TR 36.898] 3GPP TR 36.898 (2017), *Network Assistance for Network Synchronization*.  
<[https://www.3gpp.org/ftp/Specs/archive/36\\_series/36.898/](https://www.3gpp.org/ftp/Specs/archive/36_series/36.898/)>
- [b-3GPP TS 38.104] 3GPP TS 38.104 (2019), NR; *Base Station (BS) radio transmission and reception*.  
<[https://www.3gpp.org/ftp/Specs/archive/38\\_series/38.104/](https://www.3gpp.org/ftp/Specs/archive/38_series/38.104/)>
- [b-IEEE 802.1CM] IEEE 802.1CM-2018, *IEEE Standard for Local and metropolitan area Networks – Time-Sensitive Networking for Fronthaul*.
- [b-eCPRI Transport] eCPRI Transport Network V1.2 (2018), *Common Public Radio Interface: Requirements for the eCPRI Transport Network*.



## ITU-T Y-SERIES RECOMMENDATIONS

### Global information infrastructure, Internet protocol aspects, next-generation networks, Internet of Things and smart cities

GLOBAL INFORMATION INFRASTRUCTURE	Y.100-Y.999
INTERNET PROTOCOL ASPECTS	Y.1000-Y.1999
General	Y.1000-Y.1099
Services and applications	Y.1100-Y.1199
Architecture, access, network capabilities and resource management	Y.1200-Y.1299
<b>Transport</b>	<b>Y.1300-Y.1399</b>
Interworking	Y.1400-Y.1499
Quality of service and network performance	Y.1500-Y.1599
Signalling	Y.1600-Y.1699
Operation, administration and maintenance	Y.1700-Y.1799
Charging	Y.1800-Y.1899
IPTV over NGN	Y.1900-Y.1999
NEXT GENERATION NETWORKS	Y.2000-Y.2999
FUTURE NETWORKS	Y.3000-Y.3499
CLOUD COMPUTING	Y.3500-Y.3599
BIG DATA	Y.3600-Y.3799
QUANTUM KEY DISTRIBUTION NETWORKS	Y.3800-Y.3999
INTERNET OF THINGS AND SMART CITIES AND COMMUNITIES	Y.4000-Y.4999

*For further details, please refer to the list of ITU-T Recommendations.*

## SERIES OF ITU-T RECOMMENDATIONS

Series A	Organization of the work of ITU-T
Series D	Tariff and accounting principles and international telecommunication/ICT economic and policy issues
Series E	Overall network operation, telephone service, service operation and human factors
Series F	Non-telephone telecommunication services
<b>Series G</b>	<b>Transmission systems and media, digital systems and networks</b>
Series H	Audiovisual and multimedia systems
Series I	Integrated services digital network
Series J	Cable networks and transmission of television, sound programme and other multimedia signals
Series K	Protection against interference
Series L	Environment and ICTs, climate change, e-waste, energy efficiency; construction, installation and protection of cables and other elements of outside plant
Series M	Telecommunication management, including TMN and network maintenance
Series N	Maintenance: international sound programme and television transmission circuits
Series O	Specifications of measuring equipment
Series P	Telephone transmission quality, telephone installations, local line networks
Series Q	Switching and signalling, and associated measurements and tests
Series R	Telegraph transmission
Series S	Telegraph services terminal equipment
Series T	Terminals for telematic services
Series U	Telegraph switching
Series V	Data communication over the telephone network
Series X	Data networks, open system communications and security
<b>Series Y</b>	<b>Global information infrastructure, Internet protocol aspects, next-generation networks, Internet of Things and smart cities</b>
Series Z	Languages and general software aspects for telecommunication systems