

International Telecommunication Union

**ITU-T**

TELECOMMUNICATION  
STANDARDIZATION SECTOR  
OF ITU

**Series G**  
**Supplement 58**  
(10/2018)

SERIES G: TRANSMISSION SYSTEMS AND MEDIA,  
DIGITAL SYSTEMS AND NETWORKS

---

**Optical transport network module framer  
interfaces**

ITU-T G-series Recommendations – Supplement 58

ITU-T



ITU-T G-SERIES RECOMMENDATIONS  
**TRANSMISSION SYSTEMS AND MEDIA, DIGITAL SYSTEMS AND NETWORKS**

INTERNATIONAL TELEPHONE CONNECTIONS AND CIRCUITS	G.100–G.199
GENERAL CHARACTERISTICS COMMON TO ALL ANALOGUE CARRIER-TRANSMISSION SYSTEMS	G.200–G.299
INDIVIDUAL CHARACTERISTICS OF INTERNATIONAL CARRIER TELEPHONE SYSTEMS ON METALLIC LINES	G.300–G.399
GENERAL CHARACTERISTICS OF INTERNATIONAL CARRIER TELEPHONE SYSTEMS ON RADIO-RELAY OR SATELLITE LINKS AND INTERCONNECTION WITH METALLIC LINES	G.400–G.449
COORDINATION OF RADIOTELEPHONY AND LINE TELEPHONY	G.450–G.499
TRANSMISSION MEDIA AND OPTICAL SYSTEMS CHARACTERISTICS	G.600–G.699
DIGITAL TERMINAL EQUIPMENTS	G.700–G.799
DIGITAL NETWORKS	G.800–G.899
DIGITAL SECTIONS AND DIGITAL LINE SYSTEM	G.900–G.999
MULTIMEDIA QUALITY OF SERVICE AND PERFORMANCE – GENERIC AND USER-RELATED ASPECTS	G.1000–G.1999
TRANSMISSION MEDIA CHARACTERISTICS	G.6000–G.6999
DATA OVER TRANSPORT – GENERIC ASPECTS	G.7000–G.7999
PACKET OVER TRANSPORT ASPECTS	G.8000–G.8999
ACCESS NETWORKS	G.9000–G.9999

*For further details, please refer to the list of ITU-T Recommendations.*

## Supplement 58 to ITU-T G-series Recommendations

### Optical transport network module framer interfaces

#### Summary

Supplement 58 to ITU-T G-series Recommendations describes several interoperable component-to-component multilane interfaces (across different vendors) to connect an optical module (with or without digital signal processor (DSP)) to a framer device in a vendor's equipment supporting 40G, 100G or beyond 100G optical transport network (OTN) interfaces.

Only the structure of the 11G, 28G or 56G physical lanes of the different OTN module framer interface (MFI) examples is provided in this Supplement. For their electrical characteristics, the OIF-CEI IA specifications can be used.

This Supplement relates to Recommendation ITU-T G.709/Y.1331.

#### History

Edition	Recommendation	Approval	Study Group	Unique ID*
1.0	ITU-T G Suppl. 58	2016-02-26	15	<a href="http://handle.itu.int/11.1002/1000/12839">11.1002/1000/12839</a>
2.0	ITU-T G Suppl. 58	2017-06-30	15	<a href="http://handle.itu.int/11.1002/1000/13343">11.1002/1000/13343</a>
3.0	ITU-T G Suppl. 58	2018-02-09	15	<a href="http://handle.itu.int/11.1002/1000/13584">11.1002/1000/13584</a>
4.0	ITU-T G Suppl. 58	2018-10-19	15	<a href="http://handle.itu.int/11.1002/1000/13825">11.1002/1000/13825</a>

#### Keywords

FOIC, framer, interface, module, module framer interfaces (MFI), optical transport lane (OTL), optical transport network (OTN)

---

\* To access the Recommendation, type the URL <http://handle.itu.int/> in the address field of your web browser, followed by the Recommendation's unique ID. For example, <http://handle.itu.int/11.1002/1000/11830-en>.

## FOREWORD

The International Telecommunication Union (ITU) is the United Nations specialized agency in the field of telecommunications, information and communication technologies (ICTs). The ITU Telecommunication Standardization Sector (ITU-T) is a permanent organ of ITU. ITU-T is responsible for studying technical, operating and tariff questions and issuing Recommendations on them with a view to standardizing telecommunications on a worldwide basis.

The World Telecommunication Standardization Assembly (WTSA), which meets every four years, establishes the topics for study by the ITU-T study groups which, in turn, produce Recommendations on these topics.

The approval of ITU-T Recommendations is covered by the procedure laid down in WTSA Resolution 1.

In some areas of information technology which fall within ITU-T's purview, the necessary standards are prepared on a collaborative basis with ISO and IEC.

## NOTE

In this publication, the expression "Administration" is used for conciseness to indicate both a telecommunication administration and a recognized operating agency.

Compliance with this publication is voluntary. However, the publication may contain certain mandatory provisions (to ensure, e.g., interoperability or applicability) and compliance with the publication is achieved when all of these mandatory provisions are met. The words "shall" or some other obligatory language such as "must" and the negative equivalents are used to express requirements. The use of such words does not suggest that compliance with the publication is required of any party.

## INTELLECTUAL PROPERTY RIGHTS

ITU draws attention to the possibility that the practice or implementation of this publication may involve the use of a claimed Intellectual Property Right. ITU takes no position concerning the evidence, validity or applicability of claimed Intellectual Property Rights, whether asserted by ITU members or others outside of the publication development process.

As of the date of approval of this publication, ITU had not received notice of intellectual property, protected by patents, which may be required to implement this publication. However, implementers are cautioned that this may not represent the latest information and are therefore strongly urged to consult the TSB patent database at <http://www.itu.int/ITU-T/ipr/>.

© ITU 2019

All rights reserved. No part of this publication may be reproduced, by any means whatsoever, without the prior written permission of ITU.

## Table of Contents

	<b>Page</b>
1 Scope.....	1
2 References.....	1
3 Definitions .....	1
4 Abbreviations and acronyms .....	1
5 Conventions .....	2
6 Introduction.....	2
7 Signal formats and rates carried over 11G electrical lanes.....	3
7.1 OTL3.4 structure .....	3
7.2 OTL4.10 structure .....	3
8 Signal formats and rates carried over 28G electrical lanes.....	4
8.1 OTL4.4 structure .....	4
8.2 OTLC.4 structure.....	5
8.3 FOIC1.4-RS structure.....	6
8.4 FOIC2.8-RS and FOIC4.16-RS structures .....	8
8.5 OTL4.4-SC structure .....	10
9 Signal formats and rates carried over 56G electrical lanes.....	11
9.1 FOIC1.2-RS structure.....	11
9.2 FOIC2.4-RS and FOIC4.8-RS structures .....	12
Bibliography.....	17



# Supplement 58 to ITU-T G-series Recommendations

## Optical transport network module framer interfaces

### 1 Scope

This Supplement describes multilane interfaces between an optical transport network (OTN) framer device and an optical module with or without digital signal processor (DSP) (module framer interface). The module framer interfaces (MFIs) described in this Supplement carry optical transport unit  $k$  (OTU $k$ ;  $k = 3, 4$ ) or optical transport unit  $C_n$  (OTUC $n$ ) signals. Electrical parameters for these interfaces can use specifications provided in the relevant clauses of OIF-CEI Implementation Agreement (IA) specifications.

### 2 References

- [ITU-T G.652] Recommendation ITU-T G.652 (2009), *Characteristics of a single-mode optical fibre and cable*.
- [ITU-T G.695] Recommendation ITU-T G.695 (2018), *Optical interfaces for coarse wavelength division multiplexing applications*.
- [ITU-T G.698.2] Recommendation ITU-T G.698.2 (2018), *Optical Amplified multichannel dense wavelength division multiplexing applications with single channel optical interfaces for coarse wavelength division multiplexing applications*.
- [ITU-T G.709] Recommendation ITU-T G.709/Y.1331 (2016), *Interfaces for the optical transport network*.
- [ITU-T G.709.1] Recommendation ITU-T G.709.1/Y.1331.1 (2018), *Flexible OTN short-reach interface*.
- [ITU-T G.709.2] Recommendation ITU-T G.709.2/Y.1331.2 (2018), *OTU4 long-reach interface*.
- [ITU-T G.959.1] Recommendation ITU-T G.959.1 (2018), *Optical transport network physical layer interfaces*.

### 3 Definitions

None.

### 4 Abbreviations and acronyms

This Supplement uses the following abbreviations and acronyms:

AM	Alignment Marker
DSP	Digital Signal Processor
FCC	FlexO Communications Channel
FEC	Forward Error Correction
FlexO	Flexible Optical Transport Network
FlexO-x	FlexO interface information structure of order $C_x$ (i.e., $x * 100G$ bandwidth capacity)
FlexO-x-RS	FlexO interface signal of order $C_x$ with RS10 (544,514) FEC
FlexO-x-RS-m	group of $m$ bonded short-reach FlexO-x-RS interfaces carrying an OTUC $n$

FOI	FlexO Interface
FOIC1.k-RS	an individual short-reach 100G FlexO-1-RS interface (of order C1) using k parallel physical lanes and carrying one OTUC of an OTUCn
FOIC2.k-RS	an individual short-reach 200G FlexO-2-RS interface (of order C2) using k parallel physical lanes and carrying up to two OTUC of an OTUCn
FOIC4.k-RS	an individual short-reach 400G FlexO-4-RS interface (of order C4) using k parallel physical lanes and carrying up to four OTUC of an OTUCn
IA	Implementation Agreement
LD	Local Degrade
LLM	Logical Lane Marker
MFAS	Multi-Frame Alignment Signal
MFI	Module Framing Interface
ODSP	Optical Line DSP
OH	Overhead area
OSMC	OTN Synchronization Messaging Channel
OTL	Optical Transport Lane
OTLC.4	group of 4 physical lanes that carry one OTUC of an OTUCn
OTLk.n	group of n Optical Transport Lanes that carry one OTUk
OTL4.4-SC	group of 4 Optical Transport Lanes that carry one OTU4-SC
OTN	Optical Transport Network
OTUCn	Optical Transport Unit Cn
OTUk	Optical Transport Unit k
OTU4-SC	OTU4 with Staircase FEC parity and overhead
PAD	Pad Area
PAM4	Pulse Amplitude Modulation, four-level
RS	Reed-Solomon
WDM	Wavelength Division Multiplexing

## 5 Conventions

Transmission order: The order of transmission of information in all the figures in this Supplement is first from left to right and then from top to bottom. Within each byte, the most significant bit is transmitted first. The most significant bit (bit 1) is illustrated at the left in all the figures.

## 6 Introduction

This Supplement begins with some examples of first generation module framing interfaces (MFIs) for OTU3 and OTU4 signals carried over multiple 11G electrical lanes (using optical transport line (OTL)3.4 and OTL4.10 structures, respectively).

Then it describes some examples of second generation MFIs for OTU4 and OTUCn signals carried over multiple 28G electrical lanes (using OTL4.4, OTLC.4, FOIC1.4-RS, FOIC2.8-RS, or



FOIC4.16-RS structures, respectively). Note that in the case of an OTUC<sub>n</sub> signal, n OTLC.4 or m FOIC<sub>x.k</sub>-RS interface structures are used.

Finally, it describes some examples of third generation MFIs for OTUC<sub>n</sub> signal carried over multiple 56G electrical lanes (using FOIC1.2-RS, FOIC2.4-RS, or FOIC4.8-RS structures, respectively). Note that m FOIC<sub>x.k</sub>-RS interfaces (FlexO-x-RS-m group) are used to carry an OTUC<sub>n</sub> signal.

Users of this Supplement should not assume that possible MFIs are limited to the ones provided in clauses 7, 8 and 9.

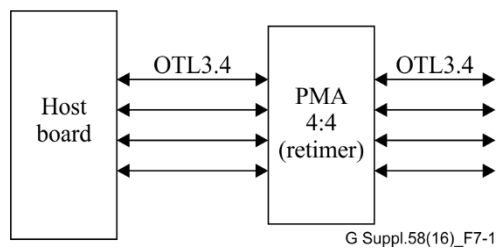
## 7 Signal formats and rates carried over 11G electrical lanes

This clause describes some MFI structures using 11G physical lanes in order to carry 40G OTU3 or 100G OTU4 signals. The electrical characteristics of each 11G physical lane may comply with [b-OIF-CEI IA] CEI-11G-xR specifications.

### 7.1 OTL3.4 structure

The original purpose of the OTL3.4 interface, as defined in clause 8.1 and Annex C of [ITU-T G.709], was to enable the re-use of pluggable modules developed for Ethernet 40GBASE-R applications. Modules developed for [b-IEEE 802.3] 40GBASE-LR4 and 40GBASE-ER4 can have corresponding optical specifications for OTU3 interfaces with application codes C4S1-2D1 and C4L1-2D1, respectively, in [ITU-T G.695]. These modules have a four-lane wavelength division multiplexing (WDM) interface to and from a transmit/receive pair of [ITU-T G.652] optical fibres.

These pluggable modules use a four-lane electrical chip-to-module interface (XLAUI), whose specification is found in Annex 83B of [b-IEEE 802.3]. These modules include a simple retimer. This application of the OTL3.4 interface is found in Figure 7-1.



**Figure 7-1 – Illustration of the application of an OTL3.4 interface**

Another application example of the OTL3.4 interface is to connect a 40G optical transport network (OTN) framer and optical line DSP (ODSP) devices in order to carry an OTU3 signal.

The bit rates of the OTL3.4 lanes are specified in [ITU-T G.709] and indicated in Table 7-1.

**Table 7-1 – Bit rates of OTL3.4**

OTL type	OTL nominal bit rate	OTL bit-rate tolerance
OTL3.4	$4 \times 255/236 \times 9\,953\,280$ kbit/s	±20 ppm
OTL3.4 lane	$255/236 \times 9\,953\,280$ kbit/s	±20 ppm

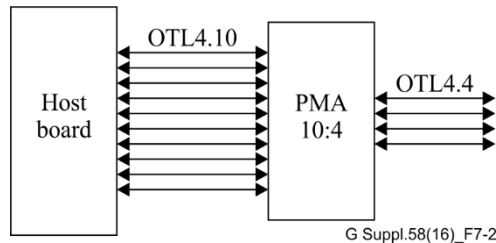
NOTE – The nominal OTL3.4 lane bit rate is approximately: 10 754 603.390 kbit/s.

### 7.2 OTL4.10 structure

The original purpose of the OTL4.10 interface, as defined in clause 8.1 and Annex C of [ITU-T G.709], was to enable the re-use of first generation pluggable modules developed for Ethernet 100GBASE-R applications. Modules developed for [b-IEEE 802.3] specified 100GBASE-LR4 and

100GBASE-ER4. They have corresponding optical specifications for OTU4 interfaces with the optical parameters as specified for the application codes 4I1-9D1F and 4L1-9C1F, respectively, in [ITU-T G.959.1]. Non-IEEE specified optical interfaces include [ITU-T G.695] application code C4S1-9D1F and [ITU-T G.959.1] application code 4L1-9D1F. These modules have a four-lane WDM interface to and from a transmit/receive pair of [ITU-T G.652] optical fibres.

These first generation modules connect to the host board via a ten-lane electrical interface. The conversion between ten and four lanes is performed using a 100GBASE-R [b-IEEE 802.3] PMA sublayer as specified in clause 83 of [b-IEEE 802.3]. The specification of the ten-lane electrical chip-to-module interface (CAUI-10) is found in Annex 83B of [b-IEEE 802.3]. The application of the OTL4.10 interface is illustrated in Figure 7-2.



**Figure 7-2 – Illustration of the original application of an OTL4.10 interface**

Another application example of the OTL4.10 interface is to connect first generation 100G OTN framers with optical line DSP (ODSP) devices in order to carry an OTU4 signal.

Each OTL4.10 lane carries two bit-multiplexed logical lanes of an OTU4 as described in Annex C of [ITU-T G.709]. The logical lane format was chosen so that the [b-IEEE 802.3] 10:4 PMA (gearbox) will convert the OTU4 signal between a format of ten lanes of OTL4.10 and four lanes of OTL4.4. Each OTL4.4 lane carries five bit-multiplexed logical lanes of an OTU4 as described in Annex C of [ITU-T G.709].

The bit rate of an OTL4.10 lane is specified in Table 7-2.

**Table 7-2 – Bit rates of OTL4.10**

OTL type	OTL nominal bit rate	OTL bit-rate tolerance
OTL4.10	$10 \times 255/227 \times 9\,953\,280$ kbit/s	$\pm 20$ ppm
OTL4.10 lane	$255/227 \times 9\,953\,280$ kbit/s	$\pm 20$ ppm

NOTE – The nominal OTL4.10 lane bit rate is approximately: 11 180 997.357 kbit/s.

## 8 Signal formats and rates carried over 28G electrical lanes

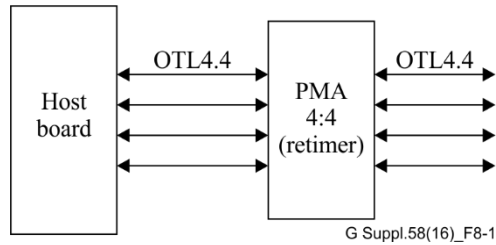
This clause describes some MFI structures using 28G physical lanes to carry 100G OTU4 or B100G OTUCn signals. The electrical characteristics of each 28G physical lane may comply with [b-OIF CEI IA] CEI-28G-xR specifications.

### 8.1 OTL4.4 structure

The original purpose of the OTL4.4 interface, as defined in this clause and Annex C of [ITU-T G.709], was to enable the re-use of second (and beyond) generation pluggable modules developed for Ethernet 100GBASE-R applications. Modules developed for [b-IEEE 802.3] specified 100GBASE-LR4 and 100GBASE-ER4. They have corresponding optical specifications for OTU4 interfaces with the optical parameters as specified for the application codes 4I1-9D1F and 4L1-9C1F, respectively, in [ITU-T G.959.1]. Non-IEEE specified optical interfaces include

[ITU-T G.695] application code C4S1-9D1F and [ITU-T G959.1] application code 4L1-9D1F. These modules have a four-lane WDM interface to and from a transmit/receive pair of [ITU-T G.652] optical fibres.

Most second generation (and beyond) pluggable modules use a four-lane electrical chip-to-module interface (CAUI-4), whose specification is found in [b-IEEE 802.3] Annex 83E. These modules include a simple retimer (as opposed to the 10:4 gearbox found in first generation modules). This application of the OTL4.4 interface is illustrated in Figure 8-1.



**Figure 8-1 – Illustration of the original application of an OTL4.4 interface**

Another application example of the OTL4.4 interface is to connect second generation multi-100G OTN framers with optical line DSP (ODSP) devices in order to carry independent OTU4 signals and to connect these framers with emerging line side optical modules.

Each OTL4.4 lane carries five bit-multiplexed logical lanes of an OTU4 as described in Annex C of [ITU-T G.709].

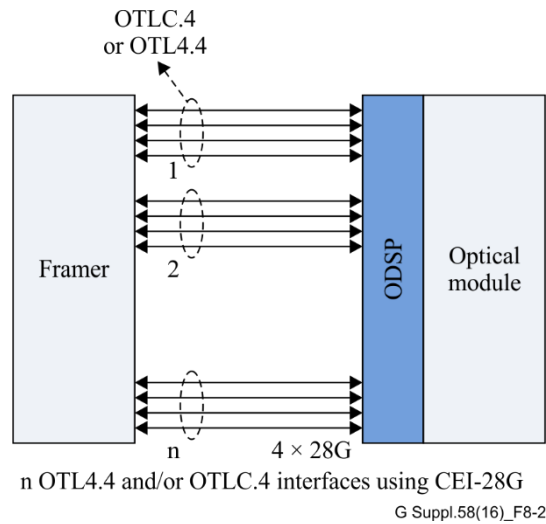
The bit rates of the OTL4.4 are specified in [ITU-T G.709] indicated in Table 8-1.

**Table 8-1 – Bit rates of OTL4.4**

OTL type	OTL nominal bit rate	OTL bit-rate tolerance
OTL4.4	$4 \times 255/227 \times 24\ 883\ 200$ kbit/s	$\pm 20$ ppm
OTL4.4 lane	$255/227 \times 24\ 883\ 200$ kbit/s	$\pm 20$ ppm
NOTE – The nominal OTL4.4 lane bit rate is approximately: 27 952 493.392 kbit/s.		

## 8.2 OTLC.4 structure

In B100G OTN design, the interfaces between the B100G OTN framer and ODSP devices will support OTU4 and OTUCn signals. This interface benefits from a common interface format. The purpose of the OTLC.4 interfaces is to support such a common interface format based on the existing OTL4.4 format. These interfaces carry either four physical lanes of an OTU4 (i.e., OTL4.4) or OTUCn (i.e., OTLC.4). See Figure 8-2.



**Figure 8-2 – Example applications of an OTL4.4/OTLC.4 interface**

An OTUC<sub>n</sub> is split into n times OTUC and each OTUC frame is extended with 256 forward error correction (FEC) columns at the end of the frame which contain a RS (255,239) FEC as specified for the OTU<sub>k</sub> in Annex A of [ITU-T G.709]. Each OTUC frame with RS (255,239) FEC therefore results in an octet-based block frame structure with four rows and 4080 columns, that is the same as an OTU<sub>k</sub> (k = 1,2,3,4) frame structure. This frame structure is scrambled as specified for the OTU<sub>k</sub> in clause 11.2 of [ITU-T G.709] and split into 20 5G OTLC logical lanes as per 5G OTL4 logical lane specification in Annex C of [ITU-T G.709]. 5G OTLC logical lanes are combined into four OTLC.4 physical lanes consistent with the OTL4.4 specifications in Annex C of [ITU-T G.709].

The third OA2 byte in each OTUC with RS (255,239) FEC frame is replaced by a logical lane marker (LLM) byte as per the OTL4.4 specifications in Annex C of [ITU-T G.709] to support the reordering of the 5G OTL4 and OTLC logical lanes within the scope of the 20 logical lanes in a 100G OTU4 or OTUC group.

OTL4.4 physical lanes do not support an OTU4 Identifier. Due to this, groups of four OTL<sub>x</sub>.4 (x = 4, C) physical lanes carrying one OTU4 or one OTUC instance must be connected as a 100G group. Physical lanes within such a 100G group can be interchanged, but physical lanes of different 100G groups must not be interchanged.

The bit rates of an OTLC.4 lane with RS (255,239) FEC are specified in Table 8-2.

**Table 8-2 – Bit rate of OTLC<sub>n</sub> with RS (255,239) FEC**

OTL type	OTL nominal bit rate	OTL bit-rate tolerance
OTLC <sub>n</sub>	$n \times 4 \times 255/226 \times 24\ 883\ 200\ \text{kbit/s}$	±20 ppm
OTLC slice	$4 \times 255/226 \times 24\ 883\ 200\ \text{kbit/s}$	±20 ppm
OTLC.4 lane	$255/226 \times 24\ 883\ 200\ \text{kbit/s}$	±20 ppm

NOTE – The nominal OTLC<sub>n</sub>, OTLC slice and OTLC.4 lane bit rates are approximately and respectively:  $n \times 112\ 304\ 707.965\ \text{kbit/s}$ ,  $112\ 304\ 707.965\ \text{kbit/s}$  and  $28.076\ 176.991\ \text{kbit/s}$ .

### 8.3 FOIC1.4-RS structure

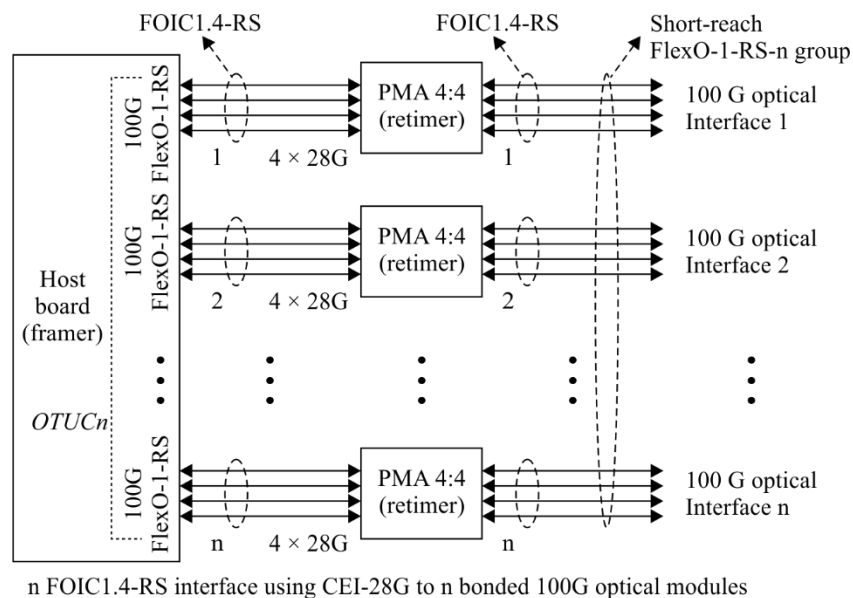
The original purpose of the n\*FOIC1.4-RS interface (i.e., FlexO-1-RS-n group), as defined in clause 11 of [ITU-T G.709.1], is to provide an interoperable modular short-reach OTN interface for B100G OTUC<sub>n</sub> (n ≥ 1) transport signals, by bonding n \* 100G standard-rate interfaces.

As the OTUC<sub>n</sub> is split into n times OTUC, each individual 100G FlexO-1-RS interface (carrying an OTUC) is distributed on four lanes (FOIC1.4-RS) and operates at almost the same interface rate as OTL4.4 (with just -4.46 ppm offset between the two nominal rates).

So, second (and beyond) generation pluggable modules developed for Ethernet 100GBASE-R applications and supporting the OTU4 rate and OTL4.4 interface could be seamlessly reused for 100G FlexO-1-RS transport and FOIC1.4-RS interface. Modules developed for [b-IEEE 802.3] specified 100GBASE-LR4 and 100GBASE-ER4. They have corresponding optical specifications for OTU4 (and so for 100G FlexO-1-RS) interfaces with the optical parameters as specified for the application codes 4I1-9D1F and 4L1-9C1F, respectively, in [ITU-T G.959.1]. Non-IEEE specified optical interfaces include [ITU-T G.695] application code C4S1-9D1F and [ITU-T G959.1] application code 4L1-9D1F. These modules have a four-lane WDM interface to and from a transmit/receive pair of [ITU-T G.652] optical fibres.

Most of these pluggable modules use a four-lane electrical chip-to-module interface (CAUI-4), whose specification is found in [b-IEEE 802.3] Annex 83E and include a simple retimer.

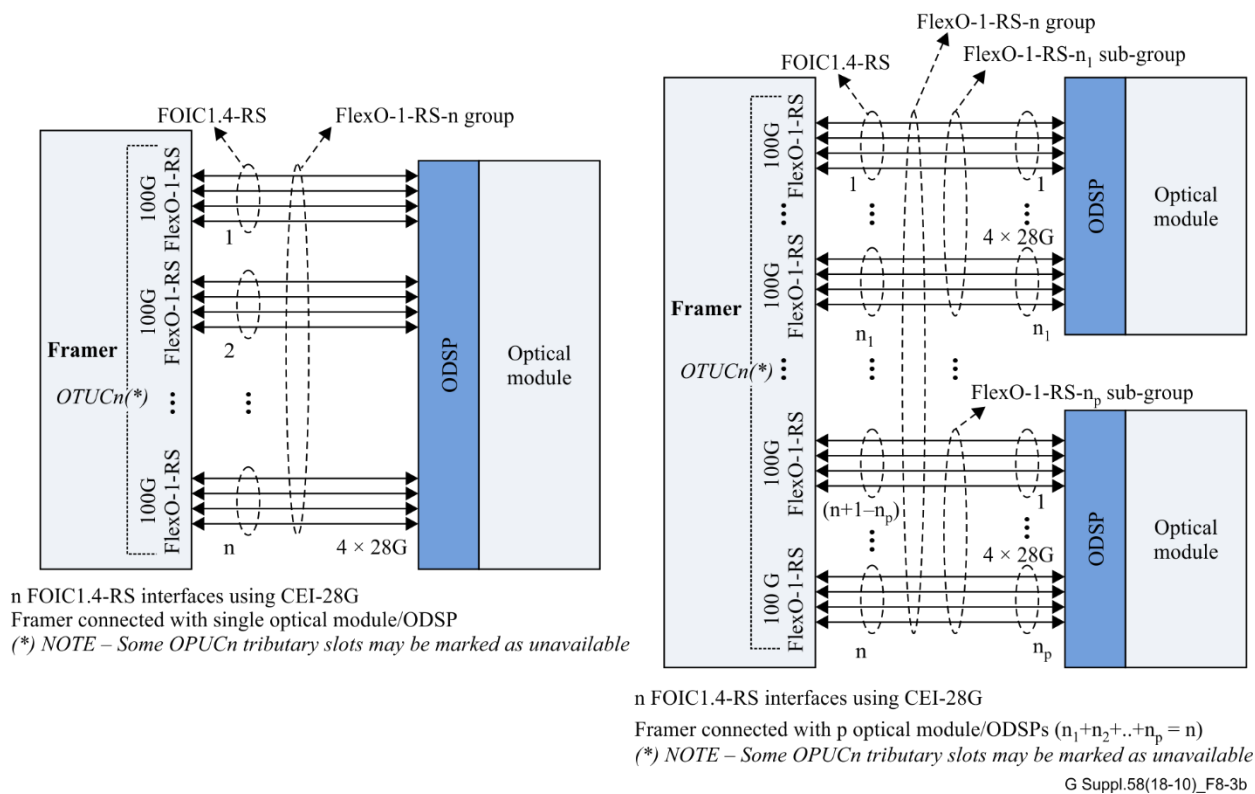
This application of n\*FOIC1.4-RS bonded interfaces (short-reach FlexO-1-RS-n group) is illustrated in Figure 8-3a.



G Suppl.58(18-10)\_F8-3a

**Figure 8-3a – Original application of a FOIC1.4-RS interface**

NOTE – The FOIC1.4-RS interface could also be used similarly to an OTLC.4 interface to connect a beyond 100G OTN framer with one or more optical line DSP (ODSP) devices supporting FlexO interfaces on the host side. One possible advantage for implementers is that the FOIC1.4-RS lane operates at the same rate as an OTL4.4 lane, so slightly slower than an OTLC.4 lane and with a stronger RS10 FEC. Another advantage is that the bit rate of a FOIC1.4-RS lane is exactly half the bit rate of a FOIC1.2-RS lane (the FOIC1.2-RS lane is obtained by simple bit-interleaving of two FOIC1.4-RS lanes). Depending on the application, implementers could make use of the FlexO overhead. Although some overhead may become optional, they are generated at the source and may be ignored at the sink (see clause 9.1 for the handling of FlexO overhead for this type of application). This alternate application is illustrated in Figure 8-3b.



**Figure 8-3b – Alternate application of a FOIC1.4-RS interface**

The bit rates of the FOIC1.4-RS are specified in [ITU-T G.709.1] indicated in Table 8-3.

**Table 8-3 – Bit rates of short-reach FlexO-1-RS--n and FOIC1.4-RS**

FOI type	FOI nominal bit rate	FOI bit-rate tolerance
FlexO-1-RS-n	$n \times 4 \times 256/241 \times 239/226 \times 24\ 883\ 200\ \text{kbit/s}$	$\pm 20\ \text{ppm}$
FOIC1.4-RS	$4 \times 256/241 \times 239/226 \times 24\ 883\ 200\ \text{kbit/s}$	$\pm 20\ \text{ppm}$
FOIC1.4-RS lane	$256/241 \times 239/226 \times 24\ 883\ 200\ \text{kbit/s}$	$\pm 20\ \text{ppm}$

NOTE – The nominal FOIC1.4-RS lane bit rate is approximately: 27 952 368.611 kbit/s.

#### 8.4 FOIC2.8-RS and FOIC4.16-RS structures

As shown in Figures 7-1 and 10-1 of [ITU-T G.709.1], an OTUCn signal ( $n \geq 1$ ), full-rate or sub-rated (with some OPUCn Tributary Slots marked as unavailable), can be carried over  $m \times$  FOIC2.8-RS or  $m \times$  FOIC4.16-RS bonded interfaces (short-reach FlexO-x-RS-m group, with  $\{x,k\} = \{2,8\}$  or  $\{4,16\}$  respectively). Each FOIC2.8-RS interface contains eight physical lanes of a 200G FlexO-2-RS frame (carrying up to two OTUC). Each FOIC4.16-RS interface contains sixteen physical lanes of a 400G FlexO-4-RS frame (carrying up to four OTUC).

This provides interoperable modular OTN interfaces with short-reach FEC (reusing same KP4 RS10 FEC schemes as 200GBASE-R or 400GBASE-R) for B100G OTUCn ( $n \geq 1$ ) transport signals, by bonding  $m \times 200\text{G}$  or  $m \times 400\text{G}$  standard-rate interfaces.

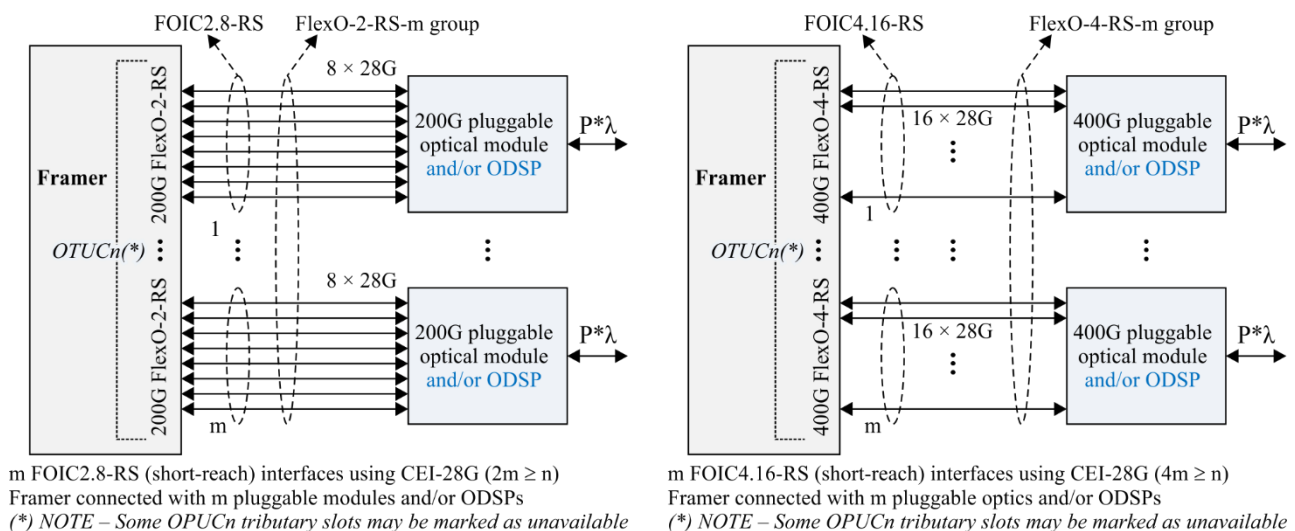
The FOIC2.8-RS or FOIC4.16-RS interface could be used to connect a beyond 100G OTN framer with one or more 200G or 400G pluggable modules or ODSP devices supporting 28G electrical lanes and FlexO interfaces on the host side. One possible advantage for implementers is that the FEC and lane processing for 200G FOIC2.8-RS or 400G FOIC4.16-RS interface is almost identical to

200GAUI-4 or 400GAUI-8, respectively, thus allowing implementers to share digital logic supporting both Ethernet and OTN signals on its host side.

First generation pluggable modules developed for Ethernet 200GBASE-R with eight electrical lanes on the host side and supporting 200G FlexO rate and FOIC2.8-RS host interface (roughly the same bit rate as OTL4.4 bit rate per 28G lane with similar digital format as 200GAUI-8) could also be reused for 200G FlexO-2-RS transport. They have corresponding optical specifications with optical parameters as specified for the pulse amplitude modulation, four-level (PAM4) application codes 4I1-4D1F in [ITU-T G.959.1] and C4S1-4D1F in [ITU-T G.695]. These modules have a four-lane WDM interface to and from a transmit/receive pair of [ITU-T G.652] optical fibres.

Similarly, first generation pluggable modules developed for Ethernet 400GBASE-R with sixteen electrical lanes on the host side and supporting 400G FlexO rate and FOIC4.16-RS host interface (that is roughly the same bit rate as OTL4.4 bit rate with similar digital format as 400GAUI-16) could be reused for 400G FlexO-4-RS transport. They have corresponding optical specifications with optical parameters as specified for the PAM4 application codes 8R1-4D1F or 8I1-4D1F in [ITU-T G.959.1]. These modules have an eight-lane WDM interface to and from a transmit/receive pair of [ITU-T G.652] optical fibres.

These applications of  $m \times$  FOIC2.8-RS bonded interfaces (short-reach  $m \times$  200G FlexO-2-RS-m group) and  $m \times$  FOIC4.16-RS bonded interfaces (short-reach  $m \times$  400G FlexO-4-RS-m group) are illustrated in Figure 8-4.



G Suppl.58(18-10)\_F8-4

**Figure 8-4 – Application of FOIC2.8-RS and FOIC4.16-RS interfaces**

NOTE – The RS10 (544,514) FEC computing and 200G/400G FlexO-x-RS lane distribution is summarized in clause 9.2 and fully specified in clauses 12 and 13 of [ITU-T G.709.1]. For FOIC2.8-RS and FOIC4.16-RS, each physical lane corresponds to a 28G FOIC1.k-RS logical lane. This FEC scheme and lane architecture follows the same processes as specified in clause 119 of [bIEEE 802.3bs] for 200GBASE-R (200GAUI-8) and 400GBASE-R (400GAUI-16) interfaces, respectively. Depending on the application, the RS10 FEC could be used as line FEC or terminated in an ODSP device. When the RS10 FEC is used as line FEC, the 28G lanes on the host interface could be bit multiplexed towards optical lanes. Also, in some applications, implementers could make use and or terminate the FlexO overhead in an ODSP device. Although some overhead may become optional, they are generated at the source and may be ignored at the sink (see Clause 9.1 and 9.2 for the handling of FlexO overhead for this type of application).

The bit rates of the FOIC2.8-RS and FOIC4.16-RS are indicated in Tables 8-4a and 8.4b below.

**Table 8-4a – Bit rates of short-reach m\*200G FlexO-2-RS-m and FOIC2.8-RS**

FOI type	FOI nominal bit rate	FOI bit-rate tolerance
FlexO-2-RS-m	$m \times 8 \times 256/241 \times 239/226 \times 24\ 883\ 200$ kbit/s	±20 ppm
FOIC2.8-RS	$8 \times 256/241 \times 239/226 \times 24\ 883\ 200$ kbit/s	±20 ppm
FOIC2.8-RS lane	$256/241 \times 239/226 \times 24\ 883\ 200$ kbit/s	±20 ppm
NOTE – The nominal FOIC2.8-RS lane bit rate is approximately: 27 952 368.611 kbit/s.		

**Table 8-4b – Bit rates of short-reach m\*400G FlexO-4-RS-m and FOIC4.16-RS**

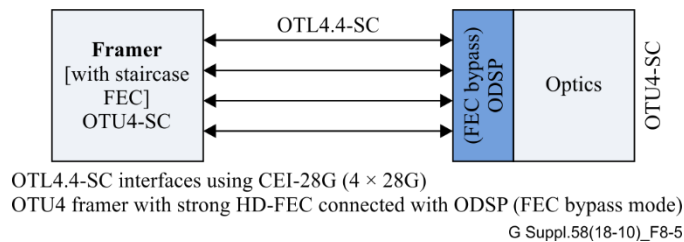
FOI type	FOI nominal bit rate	FOI bit-rate tolerance
FlexO-4-RS-m	$m \times 16 \times 256/241 \times 239/226 \times 24\ 883\ 200$ kbit/s	±20 ppm
FOIC4.16-RS	$16 \times 256/241 \times 239/226 \times 24\ 883\ 200$ kbit/s	±20 ppm
FOIC4.16-RS lane	$256/241 \times 239/226 \times 24\ 883\ 200$ kbit/s	±20 ppm
NOTE – The nominal FOIC4.16-RS lane bit rate is approximately: 27 952 368.611 kbit/s.		

### 8.5 OTL4.4-SC structure

As specified in clause 11 of [ITU-T G.709.2], an OTU4-SC signal can be adapted and carried over a 4-lane OTL4.4-SC interface. The OTU4-SC frame and FEC scheme are defined in clause 8 of [ITU-T G.709.2]. The frame format, overhead structure and FEC redundancy of OTU4-SC and OTU4 are identical. Therefore, OTU4-SC is alike an OTU4 signal using strong Staircase FEC code (SC-FEC), instead of [ITU-T G.709] RS8(255,239) code.

The OTL4.4-SC interface could be used to connect a 100G OTU4 framer implementing the hard-decision Staircase FEC with an optical line DSP (ODSP) device not supporting that FEC. This implementation enables the interoperable OTU4-SC metro/long reach interface per [ITU-T G.709.2], in which case the module has optical specifications with the parameters and optical modulation defined in [ITU-T G.698.2].

This particular application example of the OTL4.4-SC interface is illustrated in Figure 8-5.



**Figure 8-5 – Example application of OTL4.4-SC interface**

Each OTL4.4-SC lane carries five bit-multiplexed logical lanes of an OTU4-SC as described in clause 11 of [ITU-T G.709.2] and Annex C of [ITU-T G.709].

The bit rates of the OTL4.4-SC are specified in [ITU-T G.709.2] indicated in Table 8-5.



**Table 8-5 – Bit rates of OTL4.4-SC**

OTL type	OTL nominal bit rate	OTL bit-rate tolerance
OTL4.4-SC	$4 \times 255/227 \times 24\,883\,200$ kbit/s	$\pm 20$ ppm
OTL4.4-SC lane	$255/227 \times 24\,883\,200$ kbit/s	$\pm 20$ ppm

NOTE – The nominal OTL4.4-SC lane bit rate is approximately: 27 952 493.392 kbit/s.

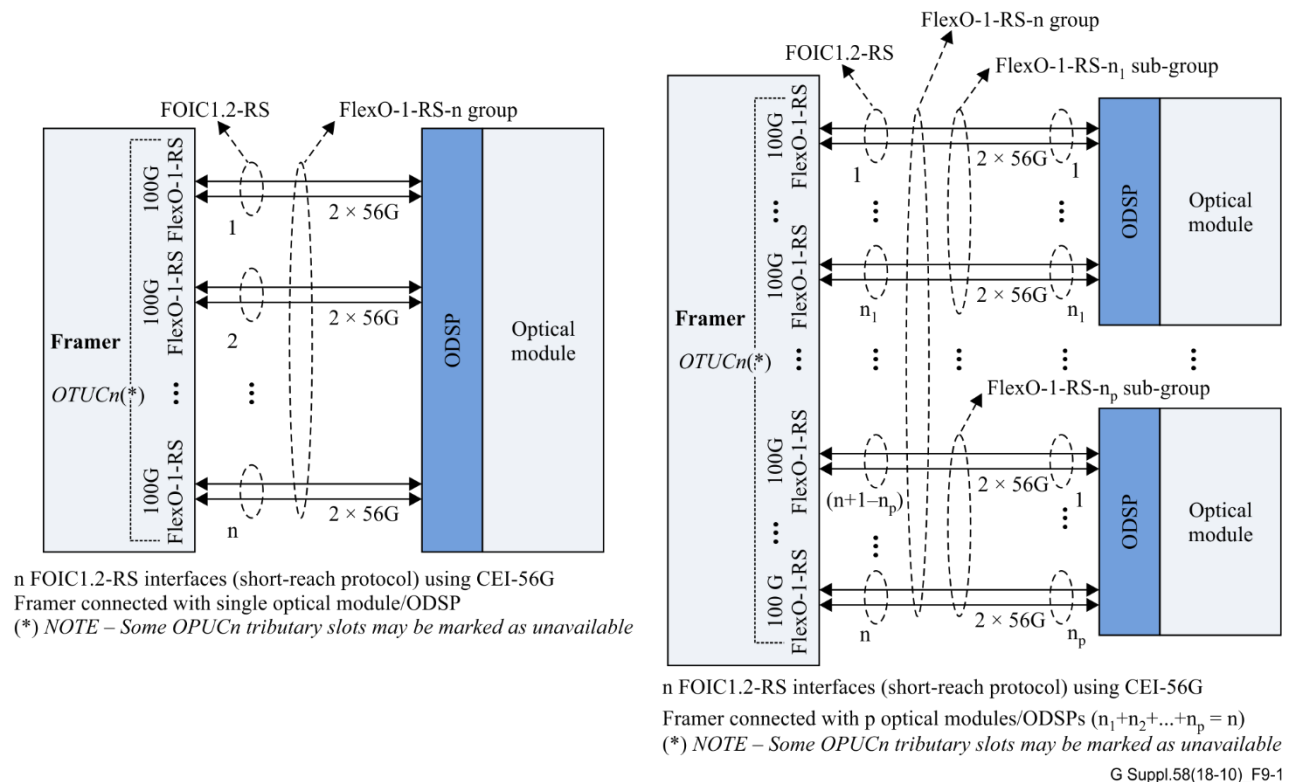
**9 Signal formats and rates carried over 56G electrical lanes**

This clause describes some MFI structures using 56G physical lanes to carry B100G OTUCn ( $n \geq 1$ ) signals. The electrical characteristics of each 56G physical lane may comply with [b-OIF CEI IA] CEI-56G-xR-PAM4 specifications.

**9.1 FOIC1.2-RS structure**

As shown in Figures 7-1 and 10-1 of [ITU-T G.709.1], an OTUCn signal ( $n \geq 1$ ), full-rate or sub-rated (with some OPUCn tributary slots marked as unavailable), can be carried over  $n \times$  FOIC1.2-RS bonded interfaces (short-reach FlexO-1-RS-n group, with  $x=1$  and  $k=2$ ). Each FOIC1.2-RS interface carry two physical lanes of a 100G FlexO-1-RS frame (carrying an OTUC).

An application example of the FOIC1.2-RS interface is to connect third generation beyond 100G OTN framers with ODSP devices over 56G electrical lanes and connecting these framers with emerging line side optical modules. See Figure 9-1.



**Figure 9-1 – Example applications of a FOIC1.2-RS interface**

As per the mapping and framing specifications in clauses 10 and 11 of [ITU-T G.709.1] the OTUCn is split into n times OTUC, and each OTUC is synchronously mapped and carried into an individual 100G FlexO-SR frame. The 100G FlexO-1-RS frame consists of frame alignment markers (AM), overhead, FEC [RS10(544,514) parity], and payload area in which the OTUC is transported (see clause 8 of [ITU-T G.709.1]).

Two possible application examples are considered. In the first case, the FlexO is terminated at both ends of the MFI. In the second case, the FlexO is terminated at the framer and [fully or partially] passed-through at the ODSP. The second case is for further study.

In the first application example, each 100G FlexO-1-RS frame is terminated at both end of the MFI. Thus, some FlexO overhead area (OH) become optional and though they are generated at the source, they may be ignored at the sink.

The FlexO multi-frame alignment signal (MFAS) is generated at the source and fully interpreted at the sink per clause 9.2.1 of [ITU-T G.709.1].

The use of the OTN synchronization messaging channel (OSMC) and FlexO communications channel (FCC) overhead across the MFI is for further study.

Additionally, the Rx Line pre-FEC detected local degrade (LD) status bit is optionally carried in bit 8 of the STAT field.

The Rx ODSP detects the Rx line pre-FEC local degrade and forward the LD status bit to the Rx framer device through the MFI.

After synchronous scrambling and RS10 FEC parity insertion (see clauses 11.4 and 11.5 of [ITU-T G.709.1]), each individual 100G FlexO-1-RS frame is distributed (in group of 10-bits) on four 28G FOIC1.k-RS logical lanes as described for FOIC1.4-RS in clause 11.6.1 of [ITU-T G.709.1].

Each 56G physical lane of a FOIC1.2-RS is formed by simple bit-multiplexing of two 28G FOIC1.k-RS logical lanes from the same 100G FlexO-1-RS. At the sink, the bits from each individual 56G FOIC1.2-RS lane are deinterleaved into two 28G FOIC1.k-RS logical lanes. The sink will identify each of the four 28G FOIC1.k-RS logical lanes within a FOIC1.2-RS interface according to its AM specific pattern (unique UMx and UPx values). The sink must be able to accept the four 28G logical lanes in any position, and in addition to 28G logical lanes alignment and deskew, proceed to reorder these four 28G FOIC1.k-RS logical lanes prior to reassembly into a 100G FlexO-1-RS frame. Following this 100G FlexO-1-RS frame alignment, the FlexO overhead is terminated, and the OTUC is demapped and aligned. At the framer sink, the Rx line pre-FEC LD status bit is extracted from the FlexO overhead area and the n OTUC demapped from the n FOIC1.2 interfaces are deskewed to retrieve the original OTUCn signal. At the ODSP sink, n<sub>i</sub> OTUC demapped from n<sub>i</sub> FOIC1.2 interfaces could be deskewed, crunched (removing unavailable tributary slots), and assembled as the OTUCn<sub>i</sub> digital signal to be transmitted.

Groups of two FOIC1.2-RS physical lanes carrying one 100G FlexO-1-RS frame (so one OTUC instance) must be connected as a 100G group. Physical lanes within such a 100G group can be interchanged, but physical lanes of different 100G groups must not be interchanged.

The bit rates of FOIC1.2-RS are specified in Table 9-1.

**Table 9-1 – Bit rates of short-reach FlexO-1-RS-n and FOIC1.2-RS**

FOI type	FOI nominal bit rate	FOI bit-rate tolerance
FlexO-1-RS-n	$n \times 2 \times 256/241 \times 239/226 \times 49\ 766\ 400$ kbit/s	±20 ppm
FOIC1.2-RS	$2 \times 256/241 \times 239/226 \times 49\ 766\ 400$ kbit/s	±20 ppm
FOIC1.2-RS lane	$256/241 \times 239/226 \times 49\ 766\ 400$ kbit/s	±20 ppm
NOTE – The nominal FOIC1.2-RS lane bit rate is approximately: 55 904 737.223 kbit/s.		

## 9.2 FOIC2.4-RS and FOIC4.8-RS structures

As shown in Figure 7-1 of [ITU-T G.709.1], an OTUCn signal ( $n \geq 1$ ), full-rate or sub-rated (with some OPUCn Tributary Slots marked as unavailable), can be carried over m\*FOIC2.4-RS or

$m$ \*FOIC4.8-RS bonded interfaces (short-reach FlexO- $x$ -RS- $m$  group, with  $\{x,k\} = \{2,4\}$  or  $\{4,8\}$  respectively). Each FOIC2.4-RS interface contains four physical lanes of a 200G FlexO-2-RS frame (carrying up to two OTUC). Each FOIC4.8-RS interface contains eight physical lanes of a 400G FlexO-4-RS frame (carrying up to four OTUC).

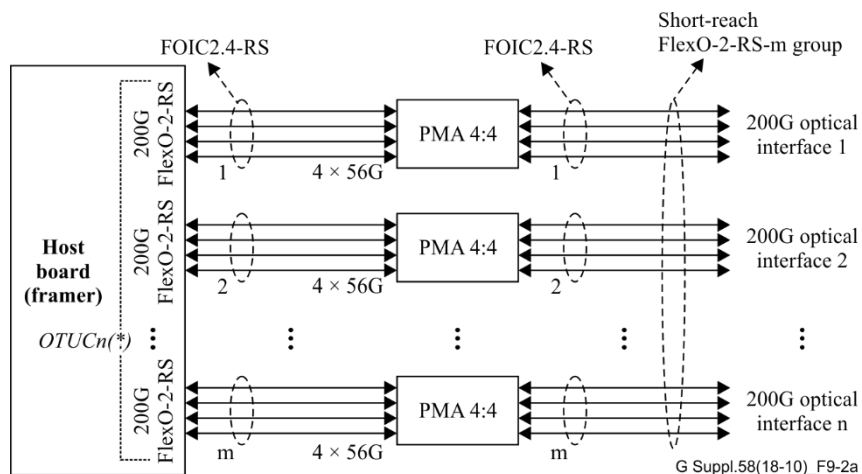
This provides interoperable modular short-reach OTN interfaces for B100G OTUC $n$  ( $n \geq 1$ ) transport signals, by bonding  $m$  \* 200G or  $m$  \* 400G standard-rate interfaces.

Four-lane pluggable modules developed for Ethernet 200GBASE-R applications and supporting the FlexO rate (that is  $\sim 1/2$  the OTU4 rate per 56G lane) could be reused for 200G FlexO-2-RS transport and FOIC2.4-RS interface. Eight-lane pluggable modules developed for Ethernet 400GBASE-R applications and supporting the FlexO rate (that is  $\sim 1/2$  the OTU4 rate per 56G lane) could also be reused for 400G FlexO-4-RS transport and FOIC4.8-RS interface. Modules developed for [b-IEEE 802.3bs] specified 200GBASE-FR4, 200GBASE-LR4, 400GBASE-FR8 and 400GBASE-LR8.

They have corresponding optical specifications for 200G FlexO-2-RS and 400G FlexO-4-RS interfaces with the optical parameters as specified for the PAM4 application codes 4I1-4D1F and 8R1-4D1F or 8I1-4D1F, respectively, in [ITU-T G.959.1] and [ITU-T G.695] PAM4 application code C4S1-4D1F. The 200G modules have a four-lane WDM interface and the 400G modules have an eight-lane to and from a transmit/receive pair of [ITU-T G.652] optical fibres.

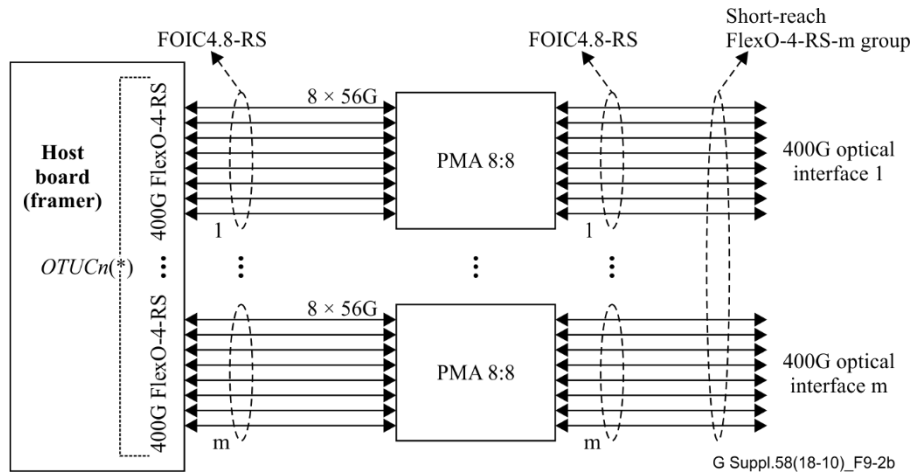
Most of these pluggable modules use a four-lane electrical chip-to-module interface (200GAUI-4) or an eight-lane chip-to-module interface (400GAUI-8), whose specifications are found in [b-IEEE 802.3bs] Annex 120E.

These applications of  $m$ \*FOIC2.4-RS bonded interfaces (short-reach  $m$ \*200G FlexO-2-RS- $m$  group) and  $m$ \*FOIC4.8-RS bonded interfaces (short-reach  $m$ \*400G FlexO-4-RS- $m$  group) are illustrated in Figures 9-2a and 9.2b respectively.



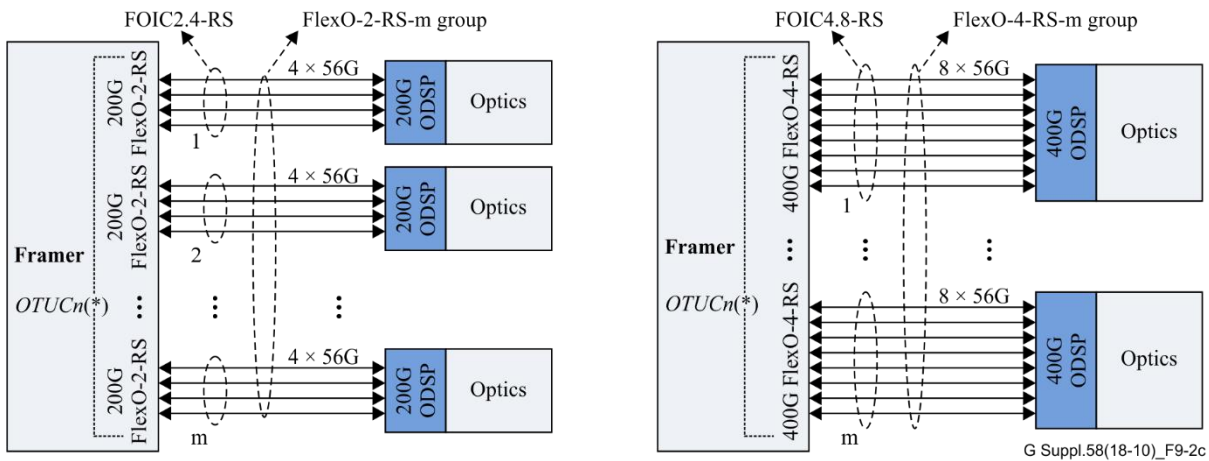
$m$  FOIC2.4-RS short-reach interfaces using CEI-56G to  $m$  bonded 200G optical modules ( $2m \geq n$ )  
 (\*) NOTE – Some OPUC $n$  tributary slots may be marked as unavailable; if  $2m = n$ , then each 200G FlexO-2-RS carries two OTUC; else if  $2m > n$ , some 200G FlexO-2-RS signal frames within the group only carry one OTUC in their first 100G FlexO instance (second 100G FlexO instance being unequipped)

**Figure 9-2a – FOIC2.4-RS interface main application example**



**Figure 9-2b – FOIC4.8-RS interface main application example**

The FOIC2.4-RS or FOIC4.8-RS interface could be used alternately to two or four FOIC1.4-RS interfaces to connect a beyond 100G OTN framer with one or more 200G or 400G ODSP devices supporting FlexO interfaces on the host side. One possible advantage for implementers is that the FEC and lane processing for 200G FOIC2.4-RS or 400G FOIC4.8-RS interface is almost identical to 200GAUI-4 or 400GAUI-8, respectively, thus allowing implementers to share digital logic in an optimized DSP supporting both Ethernet and OTN signals on its host side. This alternate application is illustrated in Figure 9-2c.



m FOIC2.4-RS interfaces using CEI-56G  
 Framer connected with m ODSPs ( $2m \geq n$ )  
 (\*) NOTE – Some OPUCn tributary slots may be marked as unavailable

m FOIC4.8-RS interfaces using CEI-56G  
 Framer connected with m ODSPs ( $4m \geq n$ )  
 (\*) NOTE – Some OPUCn tributary slots may be marked as unavailable

**Figure 9-2c – Alternate application of FOIC2.4-RS and FOIC4.8-RS interfaces**

As per the mapping specification in clause 10 of [ITU-T G.709.1] the OTUCn is split into n times OTUC, and each OTUC is synchronously mapped into an individual 100G FlexO instance/frame. Each 100G FlexO frame consists of frame alignment markers, pad area (PAD), overhead area, and payload area in which the OTUC is transported (see clause 8 of [ITU-T G.709.1]).

Then, as described in clause 12 of [ITU-T G.709.1] for 200G FlexO-2-RS, each set of two 100G FlexO instances with individual RS10 FEC parity area per instance (A, B) corresponds to a 200G FlexO-2-RS frame, and  $m \cdot 200G$  FlexO-2-RS frames carry the OTUCn ( $n \leq 2m$ ). If  $[n = 2m]$ , then each 200G frame carry two OTUC. When  $[n < 2m]$ , then  $[i] \cdot 200G$  frames carry two OTUC, while  $[m-i] \cdot 200G$  frames only carry one OTUC in their first 100G FlexO instance (the second 100G FlexO instance being unequipped).

As described in clause 13 of [ITU-T G.709.1] for 400G FlexO-4-RS, each set of four 100G FlexO is interleaved (on a 10-bit basis) with RS10 FEC parity area per instance corresponds to a 400G FlexO-4-RS frame.  $m \times$  400G FlexO-4-RS frames carry the OTUC<sub>n</sub>. If  $[n = 4 m]$ , then each 400G frame carry four OTUC. If  $[n < 4 m]$ , then, some 400G frames carry fewer than four, but at least one OTUC [the last one, two or three 100G FlexO instance(s) being unequipped].

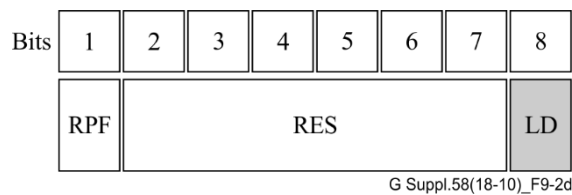
Depending on the application, the FlexO overhead may be terminated or carried transparently in the ODSP. When it is terminated in the ODSP, see clause 9.1 for the handling of FlexO overhead for this type of application.

For both applications, the Rx ODSP detects the Rx line pre-FEC Local Degrade (LD) and optionally forwards the LD status bit to the Rx framer device through the MFI, as carried in bit 8 of the STAT field of the first 100G FlexO instance overhead of the 200G or 400G FlexO-x-RS frame.

After interleaving (on a 10-bit basis) of the two 100G FlexO instances (200G FlexO-2-RS) or four 100G FlexO instances (400G FlexO-4-RS), FEC area insertion and scrambling of the 200G/400G FlexO-x-RS frame, the AM values are inserted. Then, the RS10(544,514) FEC parity is calculated based on two interleaved RS10 codewords. For 200G FlexO-2-RS, the resulting 200G signal is distributed on eight 28G FOIC2.k-RS logical lanes as per the 200G FOIC2.k-RS interface specifications in clause 12.6 of [ITU-T G.709.1]. For 400G FlexO-4-RS, the resulting 400G signal is distributed on sixteen 28G FOIC4.k-RS logical lanes as per the 400G FOIC4.k-RS interface specifications in clause 13.6 of [ITU-T G.709.1]. FEC calculation and lane distribution (in group of 10 bits) follow the same processes as specified in clause 119 of [b-IEEE 802.3bs] for 200GBASE-R and 400GBASE-R interfaces, respectively.

Each 56G physical lane of a FOIC2.4-RS or FOIC4.8-RS is formed by simple bit-multiplexing of two 28G logical lanes from the same 200G FlexO-2-RS or 400G FlexO-4-RS, respectively. At the sink, the bits from each individual 56G FOIC2.4-RS or 56G FOIC4.8-RS lane are deinterleaved into two 28G logical lanes. The sink will identify each of the eight 28G logical lanes within a FOIC2.4-RS interface according to its alignment marker specific pattern (unique UM<sub>x</sub> and UP<sub>x</sub> values). The sink must be able to accept the eight 28G logical lanes in any position, and in addition to 28G logical lanes alignment and deskew, proceed to reorder these eight 28G logical lanes prior to reassembly into a 200G FlexO-2-RS frame. Similarly, in the case of FOIC4.8-RS, the sink must be able to accept the 16 28G logical lanes in any position, and in addition to 28G logical lanes alignment and deskew, proceed to reorder these 16 28G logical lanes prior to reassembly into a 400G FlexO-4-RS frame.

Following this 200G or 400G FlexO-x-RS frame alignment, FEC termination and descrambling, the FlexO overhead is terminated, and, depending on the application, each OTUC can be demapped from its deinterleaved 100G FlexO instance and aligned. At the framer sink, the Rx line pre-FEC LD status bit is extracted from the FlexO overhead area and the  $n$  OTUC demapped from the  $m$  FOIC2.4-RS or  $m$  FOIC4.8-RS interfaces are deskewed to retrieve the original OTUC<sub>n</sub> signal. At the ODSP sink, and if applicable,  $n$  OTUC demapped from an FOIC2.4-RS or FOIC4.8-RS interface could be deskewed, crunched (removing unavailable tributary slots), and assembled as the OTUC<sub>n</sub> digital signal to be transmitted.



**Figure 9-2d – Optional Rx line pre-FEC Local Degrade (LD) status bit location in 1<sup>st</sup> instance of FlexO OH STAT field (Rx ODSP to Framer direction)**

The bit rates of the FOIC2.4-RS and FOIC4.8-RS are specified in [ITU-T G.709.1] and indicated in Tables 9-2a and 9-2b below, respectively.

**Table 9-2a – Bit rates of short-reach m\*200G FlexO-2-RS-m and FOIC2.4-RS**

<b>FOI type</b>	<b>FOI nominal bit rate</b>	<b>FOI bit-rate tolerance</b>
FlexO-2-RS-m	$m \times 4 \times 256/241 \times 239/226 \times 49\,766\,400$ kbit/s	±20 ppm
FOIC2.4-RS	$4 \times 256/241 \times 239/226 \times 49\,766\,400$ kbit/s	±20 ppm
FOIC2.4-RS lane	$256/241 \times 239/226 \times 49\,766\,400$ kbit/s	±20 ppm
NOTE – The nominal FOIC2.4-RS lane bit rate is approximately: 55 904 737.223 kbit/s.		

**Table 9-2b – Bit rates of short-reach m\*400G FlexO-4-RS-m and FOIC4.8**

<b>FOI type</b>	<b>FOI nominal bit rate</b>	<b>FOI bit-rate tolerance</b>
FlexO-4-RS-m	$m \times 8 \times 256/241 \times 239/226 \times 49\,766\,400$ kbit/s	±20 ppm
FOIC4.8-RS	$8 \times 256/241 \times 239/226 \times 49\,766\,400$ kbit/s	±20 ppm
FOIC4.8-RS lane	$256/241 \times 239/226 \times 49\,766\,400$ kbit/s	±20 ppm
NOTE – The nominal FOIC4.8-RS lane bit rate is approximately: 55 904 737.223 kbit/s.		

## Bibliography

- [b-IEEE 802.3] IEEE Std. 802.3 (2015), *IEEE Standard for Information Technology – Telecommunications and Information Exchange Between Systems – Local and Metropolitan Area Networks – Specific Requirements Part 3: Carrier Sense Multiple Access with Collision Detection (CSMA/CD) Access Method and Physical Layer Specifications.*
- [b-IEEE 802.3bs] IEEE Std 802.3bs-2017, *IEEE Standard for Ethernet Amendment 10: Media Access Control Parameters, Physical Layers and Management Parameters for 200 Gb/s and 400 Gb/s Operation.*
- [b-OIF CEI-04.0] Optical Internetworking Forum Implementation Agreement OIF-CEI-04.0 (2017), *Common Electrical I/O (CEI) – Electrical and Jitter Interoperability agreements for 6G+ bps, 11G+ bps, 25G+ bps and 56G+ bps I/O.*







## SERIES OF ITU-T RECOMMENDATIONS

Series A	Organization of the work of ITU-T
Series D	Tariff and accounting principles and international telecommunication/ICT economic and policy issues
Series E	Overall network operation, telephone service, service operation and human factors
Series F	Non-telephone telecommunication services
<b>Series G</b>	<b>Transmission systems and media, digital systems and networks</b>
Series H	Audiovisual and multimedia systems
Series I	Integrated services digital network
Series J	Cable networks and transmission of television, sound programme and other multimedia signals
Series K	Protection against interference
Series L	Environment and ICTs, climate change, e-waste, energy efficiency; construction, installation and protection of cables and other elements of outside plant
Series M	Telecommunication management, including TMN and network maintenance
Series N	Maintenance: international sound programme and television transmission circuits
Series O	Specifications of measuring equipment
Series P	Telephone transmission quality, telephone installations, local line networks
Series Q	Switching and signalling, and associated measurements and tests
Series R	Telegraph transmission
Series S	Telegraph services terminal equipment
Series T	Terminals for telematic services
Series U	Telegraph switching
Series V	Data communication over the telephone network
Series X	Data networks, open system communications and security
Series Y	Global information infrastructure, Internet protocol aspects, next-generation networks, Internet of Things and smart cities
Series Z	Languages and general software aspects for telecommunication systems