

Supplement

## **ITU-T G Suppl. 58 (09/2022)**

SERIES G: Transmission systems and media, digital  
systems and networks

---

### **Optical transport network module framer interfaces**



ITU-T G-SERIES RECOMMENDATIONS  
**TRANSMISSION SYSTEMS AND MEDIA, DIGITAL SYSTEMS AND NETWORKS**

INTERNATIONAL TELEPHONE CONNECTIONS AND CIRCUITS	G.100–G.199
GENERAL CHARACTERISTICS COMMON TO ALL ANALOGUE CARRIER-TRANSMISSION SYSTEMS	G.200–G.299
INDIVIDUAL CHARACTERISTICS OF INTERNATIONAL CARRIER TELEPHONE SYSTEMS ON METALLIC LINES	G.300–G.399
GENERAL CHARACTERISTICS OF INTERNATIONAL CARRIER TELEPHONE SYSTEMS ON RADIO-RELAY OR SATELLITE LINKS AND INTERCONNECTION WITH METALLIC LINES	G.400–G.449
COORDINATION OF RADIOTELEPHONY AND LINE TELEPHONY	G.450–G.499
TRANSMISSION MEDIA AND OPTICAL SYSTEMS CHARACTERISTICS	G.600–G.699
DIGITAL TERMINAL EQUIPMENTS	G.700–G.799
DIGITAL NETWORKS	G.800–G.899
DIGITAL SECTIONS AND DIGITAL LINE SYSTEM	G.900–G.999
MULTIMEDIA QUALITY OF SERVICE AND PERFORMANCE – GENERIC AND USER-RELATED ASPECTS	G.1000–G.1999
TRANSMISSION MEDIA CHARACTERISTICS	G.6000–G.6999
DATA OVER TRANSPORT – GENERIC ASPECTS	G.7000–G.7999
PACKET OVER TRANSPORT ASPECTS	G.8000–G.8999
ACCESS NETWORKS	G.9000–G.9999

*For further details, please refer to the list of ITU-T Recommendations.*

## Supplement 58 to ITU-T G-series Recommendations

### Optical transport network module framer interfaces

#### Summary

Supplement 58 to ITU-T G-series Recommendations describes several interoperable component-to-component multilane interfaces (across different vendors) to connect an optical module (with or without digital signal processor) to a framer device in a vendor's equipment supporting 25G, 40G, 50G, 100G or beyond 100G optical transport network (OTN) interfaces.

Only the structure of the 11G, 28G, 56G, or 112G physical lanes of the different OTN module framer interface examples is provided in this Supplement. Electrical parameters for these interfaces can use specifications provided in the relevant clauses of Optical Internetworking Forum common electrical input/output (OIF-CEI) implementation agreement (IA) specifications. For their electrical characteristics, the OIF-CEI IA specifications can be used.

This Supplement relates to Recommendation ITU-T G.709/Y.1331.

#### History

Edition	Recommendation	Approval	Study Group	Unique ID*
1.0	ITU-T G Suppl. 58	2016-02-26	15	<a href="http://handle.itu.int/11.1002/1000/12839">11.1002/1000/12839</a>
2.0	ITU-T G Suppl. 58	2017-06-30	15	<a href="http://handle.itu.int/11.1002/1000/13343">11.1002/1000/13343</a>
3.0	ITU-T G Suppl. 58	2018-02-09	15	<a href="http://handle.itu.int/11.1002/1000/13584">11.1002/1000/13584</a>
4.0	ITU-T G Suppl. 58	2018-10-19	15	<a href="http://handle.itu.int/11.1002/1000/13825">11.1002/1000/13825</a>
5.0	ITU-T G Suppl. 58	2020-02-07	15	<a href="http://handle.itu.int/11.1002/1000/14231">11.1002/1000/14231</a>
6.0	ITU-T G Suppl. 58	2020-09-18	15	<a href="http://handle.itu.int/11.1002/1000/14549">11.1002/1000/14549</a>
7.0	ITU-T G Suppl. 58	2022-09-30	15	<a href="http://handle.itu.int/11.1002/1000/15231">11.1002/1000/15231</a>

#### Keywords

FOIC, framer, interface, module framer interfaces (MFI), module, optical transport lane (OTL), optical transport network (OTN).

---

\* To access the Recommendation, type the URL <http://handle.itu.int/> in the address field of your web browser, followed by the Recommendation's unique ID. For example, <http://handle.itu.int/11.1002/1000/11830-en>.

## FOREWORD

The International Telecommunication Union (ITU) is the United Nations specialized agency in the field of telecommunications, information and communication technologies (ICTs). The ITU Telecommunication Standardization Sector (ITU-T) is a permanent organ of ITU. ITU-T is responsible for studying technical, operating and tariff questions and issuing Recommendations on them with a view to standardizing telecommunications on a worldwide basis.

The World Telecommunication Standardization Assembly (WTSA), which meets every four years, establishes the topics for study by the ITU-T study groups which, in turn, produce Recommendations on these topics.

The approval of ITU-T Recommendations is covered by the procedure laid down in WTSA Resolution 1.

In some areas of information technology which fall within ITU-T's purview, the necessary standards are prepared on a collaborative basis with ISO and IEC.

## NOTE

This is an informative ITU-T publication. Mandatory provisions, such as those found in ITU-T Recommendations, are outside the scope of this publication. This publication should only be referenced bibliographically in ITU-T Recommendations.

## INTELLECTUAL PROPERTY RIGHTS

ITU draws attention to the possibility that the practice or implementation of this publication may involve the use of a claimed Intellectual Property Right. ITU takes no position concerning the evidence, validity or applicability of claimed Intellectual Property Rights, whether asserted by ITU members or others outside of the publication development process.

As of the date of approval of this Recommendation, ITU had not received notice of intellectual property, protected by patents/software copyrights, which may be required to implement this Recommendation. However, implementers are cautioned that this may not represent the latest information and are therefore strongly urged to consult the appropriate ITU-T databases available via the ITU-T website at <http://www.itu.int/ITU-T/ipr/>.

© ITU 2023

All rights reserved. No part of this publication may be reproduced, by any means whatsoever, without the prior written permission of ITU.

## Table of Contents

		<b>Page</b>
1	Scope .....	1
2	References.....	1
3	Definitions .....	1
4	Abbreviations and acronyms .....	1
5	Conventions .....	3
6	Introduction .....	3
7	Signal formats and rates carried over 11G electrical lanes.....	3
	7.1 OTL3.4 structure .....	3
	7.2 OTL4.10 structure .....	4
8	Signal formats and rates carried over 26G or 28G electrical lanes .....	5
	8.1 OTL4.4 structure .....	5
	8.2 OTLC.4 structure.....	6
	8.3 FOIC1.4-RS structure.....	7
	8.4 FOIC2.8-RS and FOIC4.16-RS structures .....	9
	8.5 OTL4.4-SC structure .....	11
	8.6 OTL50.2-RS and OTL50u.2-RS structures.....	11
	8.7 OTU25-RS and OTU25u-RS structures.....	13
9	Signal formats and rates carried over 53G or 56G electrical lanes .....	14
	9.1 FOIC1.2-RS structure.....	14
	9.2 FOIC2.4-RS and FOIC4.8-RS structures .....	16
	9.3 OTL50.1-RS and OTL50u.1-RS structures.....	20
	9.4 OTL4.2 structure .....	21
10	Signal formats and rates carried over 112G electrical lanes.....	22
	10.1 FOIC1.1-RS structure.....	22
	Bibliography.....	25



# Supplement 58 to ITU-T G-series Recommendations

## Optical transport network module framer interfaces

### 1 Scope

This Supplement describes multilane interfaces between an optical transport network (OTN) framer device and an optical module with or without digital signal processor (DSP) (module framer interfaces (MFIs)). The MFIs described in this Supplement carry optical transport unit k (OTUk; k = 3, 4), optical transport unit 25 or 50 with Reed-Solomon (RS) forward error correction (FEC) (OTU25-RS or OTU50-RS) or optical transport unit number of n-bit client data entities (Cn) (OTUCn) signals. Electrical parameters for these interfaces can use specifications provided in the relevant clauses of the OIF-CEI implementation agreement (IA) [b-OIF-CEI].

### 2 References

- [ITU-T G.695] Recommendation ITU-T G.695 (2018), *Optical interfaces for coarse wavelength division multiplexing applications*.
- [ITU-T G.709] Recommendation ITU-T G.709/Y.1331 (2020), *Interfaces for the optical transport network*.
- [ITU-T G.709.1] Recommendation ITU-T G.709.1/Y.1331.1 (2018), *Flexible OTN short-reach interfaces*.
- [ITU-T G.709.2] Recommendation ITU-T G.709.2/Y.1331.2 (2018), *OTU4 long-reach interface*.
- [ITU-T G.709.4] Recommendation ITU-T G.709.4/Y.1331.4 (2020), *OTU25 and OTU50 short-reach interfaces*.
- [ITU-T G.959.1] Recommendation ITU-T G.959.1 (2018), *Optical transport network physical layer interfaces*.

### 3 Definitions

None.

### 4 Abbreviations and acronyms

This Supplement uses the following abbreviations and acronyms:

AM	Alignment Marker
AUI	Attachment Unit Interface
BER	Bit Error Ratio
CAUI-n	100 Gbit/s chip to chip attachment Unit Interface over n lanes
CEI	Common Electrical Input/output
CWM	Codeword Marker
DSP	Digital Signal Processor
FEC	Forward Error Correction
FlexO	Flexible Optical Transport Network

FlexO-x	FlexO interface information structure of order Cx (i.e., x * 100G bandwidth capacity)
FlexO-x-RS	FlexO interface signal of order Cx with RS10 (544,514) FEC
FlexO-x-RS-m	group of m bonded short-reach FlexO-x-RS interfaces carrying an OTUCn
FOI	FlexO interface
FOIC1.k-RS	An individual short-reach 100G FlexO-1-RS interface (of order C1) using k parallel physical lanes and carrying one OTUC of an OTUCn
FOIC2.k-RS	An individual short-reach 200G FlexO-2-RS interface (of order C2) using k parallel physical lanes and carrying up to two OTUC of an OTUCn
FOIC4.k-RS	An individual short-reach 400G FlexO-4-RS interface (of order C4) using k parallel physical lanes and carrying up to four OTUC of an OTUCn
IA	Implementation Agreement
LD	Local Degrade
LLM	Logical Lane Marker
MFI	Module Framer Interface
MUX	Multiplexer
ODSP	Optical line Digital Signal Processor
OH	Overhead
OTL	Optical Transport Lane
OTL4.4-SC	group of 4 Optical Transport Lanes that carry one OTU4-SC
OTL50.k-RS	group of k physical Lanes with RS10 (544,514) FEC that carry one OTU50
OTL50u.k-RS	group of k physical Lanes with RS10 (544,514) FEC that carry one OTU50u
OTLC.4	group of 4 physical Lanes that carry one OTUC of an OTUCn
OTLk.n	group of n Optical Transport Lanes that carry one OTUk
OTN	Optical Transport Network
OTU	Optical Transport Unit
OTU25-RS	Optical Transport Unit 25 with CWM and RS10 (544,514) FEC
OTU25u-RS	Optical Transport Unit 25u with CWM and RS10 (528,514) FEC
OTU4-SC	OTU4 with Staircase FEC parity and overhead
OTU50-RS	Optical Transport Unit 50 with AM and RS10 (544,514) FEC
OTU50u-RS	Optical Transport Unit 50u with AM and RS10 (544,514) FEC
OTUCn	Optical Transport Unit Cn
OTUk	Optical Transport Unit k
PAD	Pad
PAM4	Pulse Amplitude Modulation, Four Level
PMA	Physical Medium Attachment
PMD	Physical Medium Dependent
RS	Reed-Solomon



SC	Staircase
UMx	Unique Marker of index x
UPx	Unique Padding of index x
WDM	Wavelength Division Multiplexing
xGAUI-n	x Gbit/s Attachment Unit Interface over n lanes

## 5 Conventions

Transmission order: The order of transmission of information in all the figures in this Supplement is first from left to right and then from top to bottom. Within each byte, the most significant bit is transmitted first. The most significant bit (bit 1) is illustrated on the left in all figures.

## 6 Introduction

This Supplement begins with some examples of first generation MFIs for OTU3 and OTU4 signals carried over multiple 11G electrical lanes (using OTL3.4 and OTL4.10 structures, respectively).

Then it describes some examples of second generation MFIs for OTU25-RS, OTU50-RS, OTU4 and OTUCn signals carried over 28G electrical lanes (using OTU25-RS, OTL50.2-RS, OTL4.4, OTLC.4, FOIC1.4-RS, FOIC2.8-RS, or FOIC4.16-RS structures, respectively), or for OTU25u-RS or OTU50u-RS carried over one or two 26G electrical lanes (using OTU25u-RS or OTL50u.2-RS, respectively). Note that in the case of an OTUCn signal, n OTLC.4 or m FOICx.k-RS interface structures are used.

Then, it describes some examples of third generation MFIs for OTU50-RS, OTU-4 or OTUCn signal carried over 56G electrical lanes (using OTL50.1-RS, OTL4.2, FOIC1.2-RS, FOIC2.4-RS, or FOIC4.8-RS structures, respectively), or for OTU50u-RS carried over one 53G electrical lane (using OTL50u.1-RS).

Finally, it describes some examples of fourth generation MFIs for OTUCn signals carried over one or multiple 112G electrical (using a FOIC1.1-RS structure).

Note that m FOICx.k-RS interfaces (flexible optical transport network(FlexO)-x-RS-m group) are used to carry an OTUCn signal.

Users of this Supplement should not assume that possible MFIs are limited to those provided in clauses 7, 8 and 9.

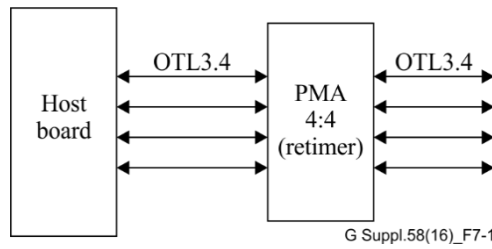
## 7 Signal formats and rates carried over 11G electrical lanes

This clause describes some MFI structures using 11G physical lanes to carry 40G OTU3 or 100G OTU4 signals. The electrical characteristics of each 11G physical lane may comply with [b-OIF CEI] CEI-11G-xR specifications.

### 7.1 OTL3.4 structure

The original purpose of the OTL3.4 interface, as specified in clause 8.1 and Annex C of [ITU-T G.709], was to enable the re-use of pluggable modules developed for Ethernet 40GBASE-R applications. Modules developed for [b-IEEE 802.3] 40GBASE-LR4 and 40GBASE-ER4 can have corresponding optical specifications for OTU3 interfaces with application codes C4S1-2D1 and C4L1-2D1, respectively, in [ITU-T G.695]. These modules have a four-lane wavelength division multiplexing (WDM) interface to and from a transmit/receive pair of b-ITU-T G.652 optical fibres.

These pluggable modules use a four-lane electrical chip-to-module interface, the 40 Gbit/s attachment unit interface, whose specification is found in Annex 83B of [b-IEEE 802.3]. These modules include a simple retimer. This application of the OTL3.4 interface is shown in Figure 7-1.



**Figure 7-1 – Illustration of the application of an OTL3.4 interface**

Another application example of the OTL3.4 interface is to connect a 40G OTN framer and optical line digital signal processor (ODSP) devices in order to carry an OTU3 signal.

The bit rates of the OTL3.4 lanes are specified in [ITU-T G.709] and listed in Table 7-1.

**Table 7-1 – Bit rates of OTL3.4**

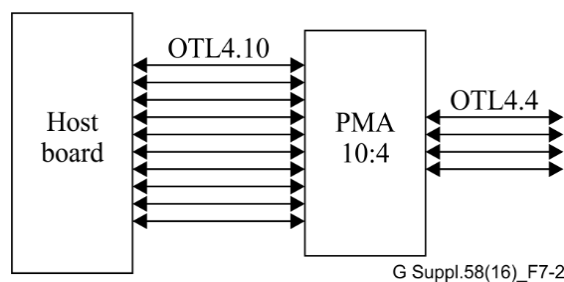
OTL type	OTL nominal bit rate (kbit/s)	OTL bit-rate tolerance (ppm)
OTL3.4	$4 \times 255/236 \times 9\,953\,280$	$\pm 20$
OTL3.4 lane	$255/236 \times 9\,953\,280$	$\pm 20$

NOTE – The nominal OTL3.4 lane bit rate is approximately: 10 754 603.390 kbit/s.

## 7.2 OTL4.10 structure

The original purpose of the OTL4.10 interface, as defined in clause 8.1 and Annex C of [ITU-T G.709], was to enable the re-use of first-generation pluggable modules developed for Ethernet 100GBASE-R applications. Modules developed for [b-IEEE 802.3] specified 100GBASE-LR4 and 100GBASE-ER4. They have corresponding optical specifications for OTU4 interfaces with the optical parameters as specified for the application codes 4I1-9D1F and 4L1-9C1F, respectively, in [ITU-T G.959.1]. Non-IEEE specified optical interfaces include application code C4S1-9D1F of [ITU-T G.695] and application code 4L1-9D1F of [ITU-T G.959.1]. These modules have a four-lane WDM interface to and from a transmit/receive pair of b-ITU-T G.652 optical fibres.

These first-generation modules connect to the host board via a ten-lane electrical interface. The conversion between 10 and four lanes is performed using a 100GBASE-R [b-IEEE 802.3] physical medium attachment (PMA) sublayer as specified in clause 83 of [b-IEEE 802.3]. The specification of the 10-lane electrical chip to attachment unit interface (CAUI-10) is found in Annex 83B of [b-IEEE 802.3]. The application of the OTL4.10 interface is illustrated in Figure 7-2.



**Figure 7-2 – Illustration of the original application of an OTL4.10 interface**

Another application example of the OTL4.10 interface is to connect first generation 100G OTN framers with ODSF devices in order to carry an OTU4 signal.

Each OTL4.10 lane carries two bit-multiplexed logical lanes of an OTU4 as described in Annex C of [ITU-T G.709]. The logical lane format was chosen so that the [b-IEEE 802.3] 10:4 PMA (gearbox) converts the OTU4 signal between a format of 10 lanes of OTL4.10 and four lanes of OTL4.4. Each OTL4.4 lane carries five bit-multiplexed logical lanes of an OTU4 as described in Annex C of [ITU-T G.709].

The bit rates of an OTL4.10 lane are specified in Table 7-2.

**Table 7-2 – Bit rates of OTL4.10**

OTL type	OTL nominal bit rate (kbit/s)	OTL bit-rate tolerance (ppm)
OTL4.10	$10 \times 255/227 \times 9\,953\,280$	$\pm 20$
OTL4.10 lane	$255/227 \times 9\,953\,280$	$\pm 20$

NOTE – The nominal OTL4.10 lane bit rate is approximately: 11 180 997.357 kbit/s.

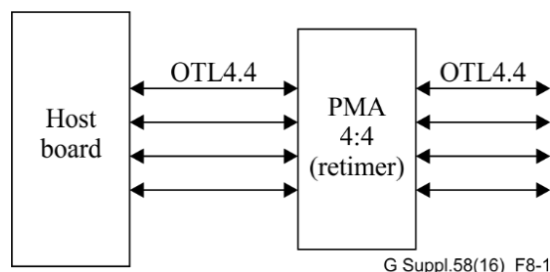
## 8 Signal formats and rates carried over 26G or 28G electrical lanes

This clause describes some MFI structures using 28G physical lanes to carry 25G OTU25-RS, 50G OTU50-RS, 100G OTU4 or B100G OTUCn signals, or using 26G physical lanes to carry underclocked 25G OTU25u-RS or 50G OTU50u-RS. The electrical characteristics of each 26G-28G physical lane may comply with [b-OIF CEI] CEI-28G-xR specifications.

### 8.1 OTL4.4 structure

The original purpose of the OTL4.4 interface, as described in this clause and Annex C of [ITU-T G.709], was to enable the re-use of second (and beyond) generation pluggable modules developed for Ethernet 100GBASE-R applications. Modules developed for [b-IEEE 802.3] specified 100GBASE-LR4 and 100GBASE-ER4. They have corresponding optical specifications for OTU4 interfaces with the optical parameters as specified for the application codes 4I1-9D1F and 4L1-9C1F, respectively, in [ITU-T G.959.1]. Non-IEEE specified optical interfaces include application code C4S1-9D1F of [ITU-T G.695] and application code 4L1-9D1F of [ITU-T G.959.1]. These modules have a four-lane WDM interface to and from a transmit/receive pair of b-ITU-T G.652 optical fibres.

Most second generation (and beyond) pluggable modules use a four-lane electrical chip-to-module interface (CAUI-4), whose specification is found in Annex 83E of [b-IEEE 802.3]. These modules include a simple retimer (as opposed to the 10:4 gearbox found in first generation modules). This application of the OTL4.4 interface is illustrated in Figure 8-1.



**Figure 8-1 – Illustration of the original application of an OTL4.4 interface**

Another application example of the OTL4.4 interface is to connect second generation multi-100G OTN framers with ODSF devices in order to carry independent OTU4 signals and to connect these framers with emerging line side optical modules.

Each OTL4.4 lane carries five bit-multiplexed logical lanes of an OTU4 as described in Annex C of [ITU-T G.709].

The bit rates of the OTL4.4 specified in [ITU-T G.709] are listed in Table 8-1.

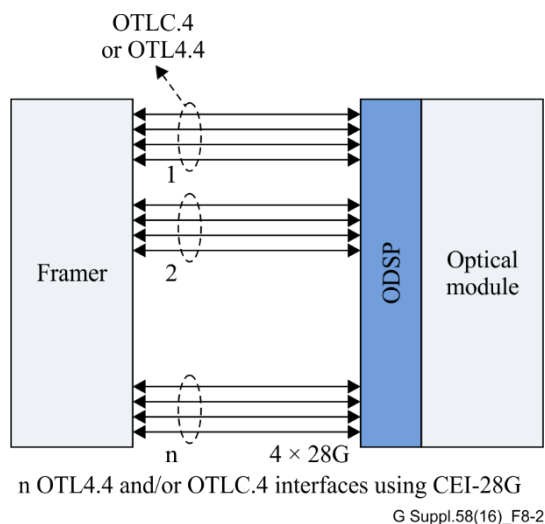
**Table 8-1 – Bit rates of OTL4.4**

OTL type	OTL nominal bit rate (kbit/s)	OTL bit-rate tolerance (ppm)
OTL4.4	$4 \times 255/227 \times 24\ 883\ 200$	$\pm 20$
OTL4.4 lane	$255/227 \times 24\ 883\ 200$	$\pm 20$

NOTE – The nominal OTL4.4 lane bit rate is approximately: 27 952 493.392 kbit/s.

## 8.2 OTLC.4 structure

In B100G OTN design, the interfaces between the B100G OTN framer and ODSP devices support OTU4 and OTUCn signals. This interface benefits from a common interface format. The purpose of the OTLC.4 interfaces is to support such a common interface format based on the existing OTL4.4 format. These interfaces carry either four physical lanes of an OTU4 (i.e., OTL4.4) or OTUCn (i.e., OTLC.4). See Figure 8-2.



**Figure 8-2 – Example applications of an OTL4.4/OTLC.4 interface**

An OTUCn is split into n times OTUC and each OTUC frame is extended with 256 FEC columns at the end of the frame, which contains an RS (255,239) FEC as specified for the OTUk in Annex A of [ITU-T G.709]. Each OTUC frame with RS (255,239) FEC therefore results in an octet-based block frame structure with four rows and 4 080 columns, i.e., the same as an OTUk (k = 1,2,3,4) frame structure. This frame structure is scrambled as specified for the OTUk in clause 11.2 of [ITU-T G.709] and split into 20 5G OTLC logical lanes in accordance with the 5G OTL4 logical lane specification in Annex C of [ITU-T G.709]. 5G OTLC logical lanes are combined into four OTLC.4 physical lanes consistent with the OTL4.4 specifications in Annex C of [ITU-T G.709].

The third OA2 byte in each OTUC with RS (255,239) FEC frame is replaced by a logical lane marker (LLM) byte in accordance with the OTL4.4 specifications in Annex C of [ITU-T G.709] to support the reordering of the 5G OTL4 and OTLC logical lanes within the scope of the 20 logical lanes in a 100G OTU4 or OTUC group.

OTL4.4 physical lanes do not support an OTU4 Identifier. Due to this, groups of four OTLx.4 (x = 4, C) physical lanes carrying one OTU4 or one OTUC instance must be connected as a 100G

group. Physical lanes within such a 100G group can be interchanged, but physical lanes of different 100G groups must not be interchanged.

The bit rates of an OTLC.4 lane with RS (255,239) FEC are specified in Table 8-2.

**Table 8-2 – Bit rate of OTLCn with RS (255,239) FEC**

OTL type	OTL nominal bit rate (kbit/s)	OTL bit-rate tolerance (ppm)
OTLCn	$n \times 4 \times 255/226 \times 24\ 883\ 200$	$\pm 20$
OTLC slice	$4 \times 255/226 \times 24\ 883\ 200$	$\pm 20$
OTLC.4 lane	$255/226 \times 24\ 883\ 200$	$\pm 20$

NOTE – The nominal OTLCn, OTLC slice and OTLC.4 lane bit rates are approximately and respectively:  $n \times 112\ 304\ 707.965$  kbit/s,  $112\ 304\ 707.965$  kbit/s and  $28.076\ 176.991$  kbit/s.

### 8.3 FOIC1.4-RS structure

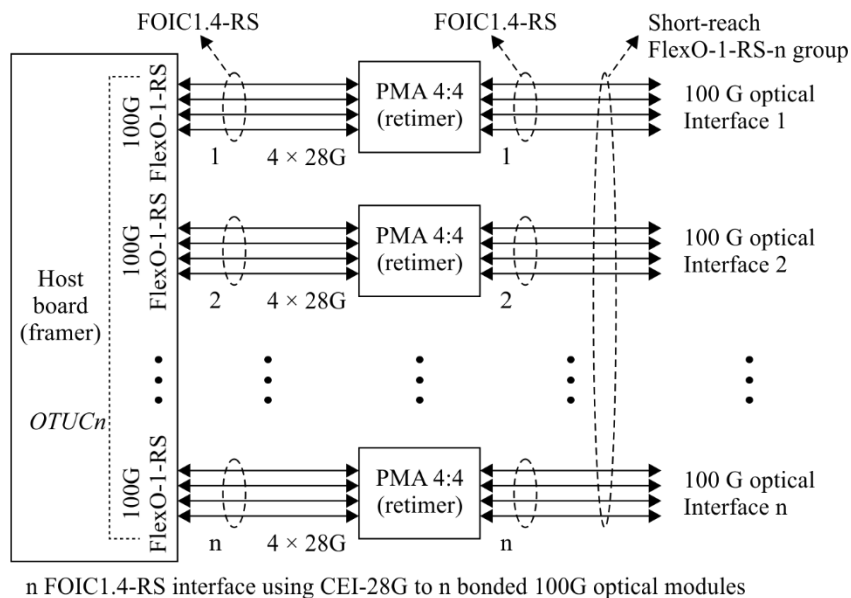
The original purpose of the n\*FOIC1.4-RS interface (i.e., FlexO-1-RS-n group), as specified in clause 11 of [ITU-T G.709.1], is to provide an interoperable modular short-reach OTN interface for B100G OTUCn ( $n \geq 1$ ) transport signals, by bonding n\*100G standard-rate interfaces.

As the OTUCn is split into n times OTUC, each individual 100G FlexO-1-RS interface (carrying an OTUC) is distributed on four lanes (FOIC1.4-RS) and operates at almost the same interface rate as OTL4.4 (with just  $-4.46$  ppm offset between the two nominal rates).

So, second (and beyond) generation pluggable modules developed for Ethernet 100GBASE-R applications and supporting the OTU4 rate and OTL4.4 interface could be seamlessly reused for 100G FlexO-1-RS transport and FOIC1.4-RS interface. Modules developed for [b-IEEE 802.3] specified 100GBASE-LR4 and 100GBASE-ER4. They have corresponding optical specifications for OTU4 (and so for 100G FlexO-1-RS) interfaces with the optical parameters as specified for the application codes 4I1-9D1F and 4L1-9C1F, respectively, in [ITU-T G.959.1]. Non-IEEE specified optical interfaces include application code C4S1-9D1F of [ITU-T G.695] and application code 4L1-9D1F of [ITU-T G.959.1]. These modules have a four-lane WDM interface to and from a transmit/receive pair of b-ITU-T G.652 optical fibres.

Most of these pluggable modules use a four-lane electrical chip-to-module interface (CAUI-4), whose specification is found in Annex 83E of [b-IEEE 802.3] and includes a simple retimer.

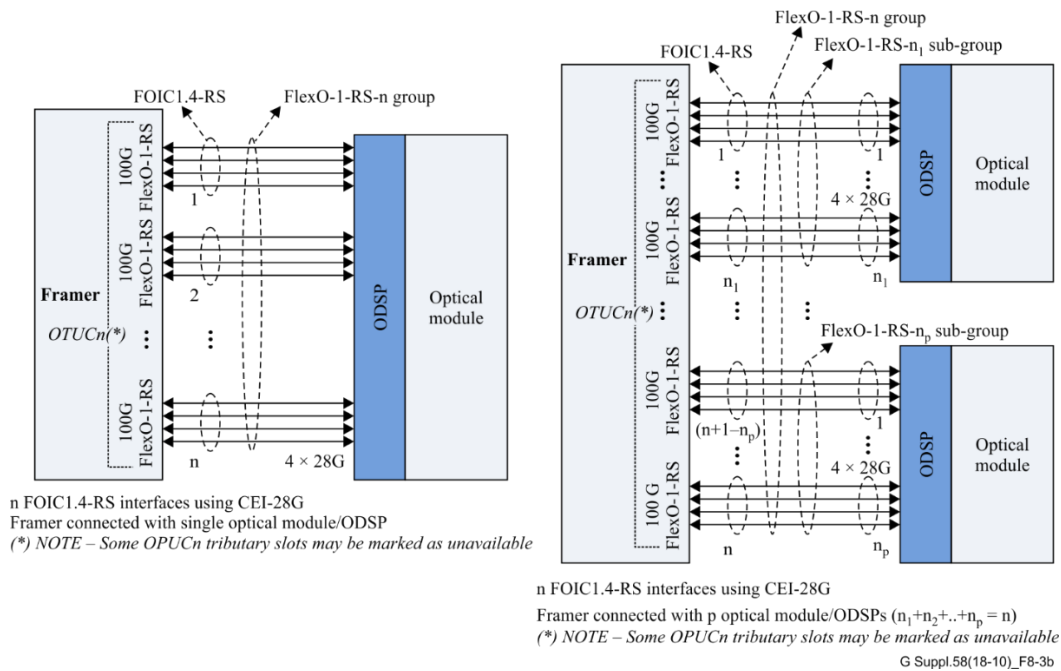
This application of n\*FOIC1.4-RS bonded interfaces (short-reach FlexO-1-RS-n group) is shown in Figure 8-3a.



G Suppl.58(18-10)\_F8-3a

**Figure 8-3a – Original application of a FOIC1.4-RS interface**

NOTE – The FOIC1.4-RS interface could also be used similarly to an OTLC.4 interface to connect a beyond 100G OTN framer with one or more ODSP devices supporting FlexO interfaces on the host side. One possible advantage for implementers is that the FOIC1.4-RS lane operates at the same rate as an OTL4.4 lane, so slightly slower than an OTLC.4 lane and with a stronger RS10 FEC. Another advantage is that the bit rate of a FOIC1.4-RS lane is exactly half the bit rate of a FOIC1.2-RS lane (the FOIC1.2-RS lane is obtained by simple bit-interleaving of two FOIC1.4-RS lanes). Depending on the application, implementers could make use of the FlexO overhead (OH). Although some OH may become optional, it is generated at the source and may be ignored at the sink (see clause 9.1 for the handling of FlexO overhead for this type of application). This alternate application is illustrated in Figure 8-3b.



**Figure 8-3b – Alternate application of a FOIC1.4-RS interface**

The bit rates of the FOIC1.4-RS specified in [ITU-T G.709.1] are listed in Table 8-3.

**Table 8-3 – Bit rates of short-reach FlexO-1-RS—n and FOIC1.4-RS**

Flexible optical transport network interface (FOI) type	FOI nominal bit rate (kbit/s)	FOI bit-rate tolerance (ppm)
FlexO-1-RS-n	$n \times 4 \times 256/241 \times 239/226 \times 24\ 883\ 200$	$\pm 20$
FOIC1.4-RS	$4 \times 256/241 \times 239/226 \times 24\ 883\ 200$	$\pm 20$
FOIC1.4-RS lane	$256/241 \times 239/226 \times 24\ 883\ 200$	$\pm 20$
NOTE – The nominal FOIC1.4-RS lane bit rate is approximately: 27 952 368.611 kbit/s.		

#### 8.4 FOIC2.8-RS and FOIC4.16-RS structures

As shown in Figures 7-1 and 10-1 of [ITU-T G.709.1], an OTUC<sub>n</sub> signal ( $n \geq 1$ ), full-rate or sub-rated (with some OPUC<sub>n</sub> Tributary Slots marked as unavailable), can be carried over  $m \times$ FOIC2.8-RS or  $m \times$ FOIC4.16-RS bonded interfaces (short-reach FlexO- $x$ -RS- $m$  group, with  $\{x,k\} = \{2,8\}$  or  $\{4,16\}$  respectively). Each FOIC2.8-RS interface contains eight physical lanes of a 200G FlexO-2-RS frame (carrying up to two OTUC). Each FOIC4.16-RS interface contains 16 physical lanes of a 400G FlexO-4-RS frame (carrying up to four OTUC).

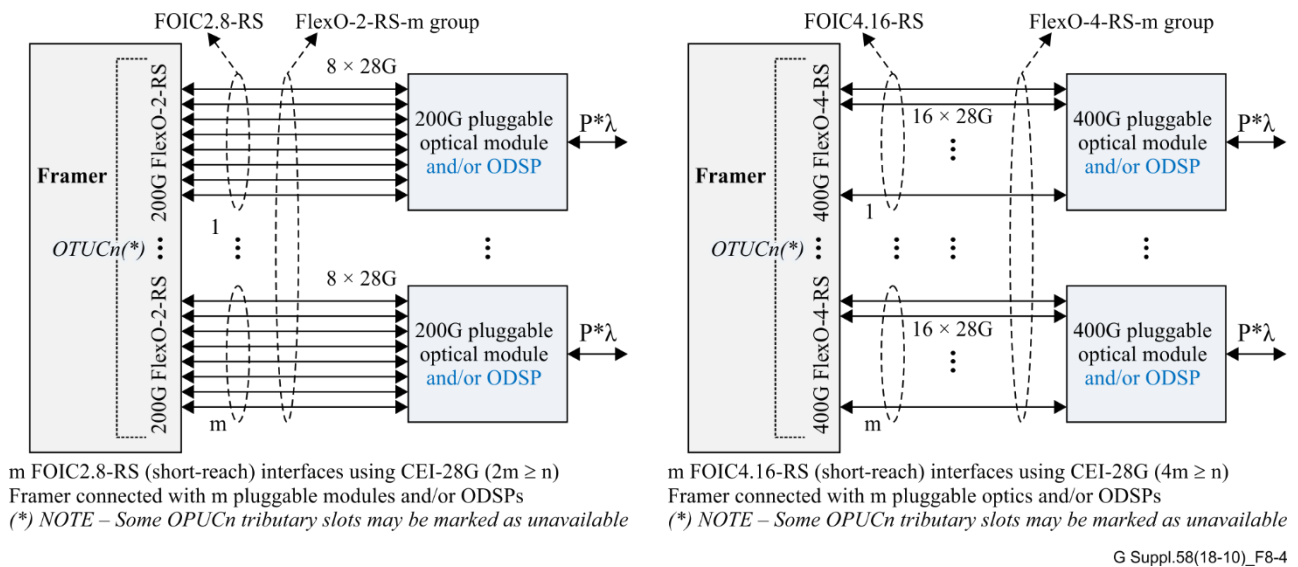
This provides interoperable modular OTN interfaces with short-reach FEC (reusing the same KP4 RS10 FEC schemes as 200GBASE-R or 400GBASE-R) for B100G OTUC<sub>n</sub> ( $n \geq 1$ ) transport signals, by bonding  $m \times$ 200G or  $m \times$ 400G standard-rate interfaces.

The FOIC2.8-RS or FOIC4.16-RS interface could be used to connect a beyond 100G OTN framer with one or more 200G or 400G pluggable modules or ODSP devices supporting 28G electrical lanes and FlexO interfaces on the host side. One possible advantage for implementers is that the FEC and lane processing for 200G FOIC2.8-RS or 400G FOIC4.16-RS interface is almost identical to 200GAUI-4 or 400GAUI-8, respectively, thus allowing implementers to share digital logic supporting both Ethernet and OTN signals on its host side.

First generation pluggable modules developed for Ethernet 200GBASE-R with eight electrical lanes on the host side and supporting 200G FlexO rate and FOIC2.8-RS host interface (roughly the same bit rate as that for OTL4.4 in accordance with the 28G lane with a similar digital format to 200GAUI-8) could also be reused for 200G FlexO-2-RS transport. They have corresponding optical specifications with parameters as specified for the pulse amplitude modulation, four level (PAM4) application codes 4I1-4D1F in [ITU-T G.959.1] and C4S1-4D1F in [ITU-T G.695]. These modules have a four-lane WDM interface to and from a transmit/receive pair of b-ITU-T G.652 optical fibres.

Similarly, first generation pluggable modules developed for Ethernet 400GBASE-R with 16 electrical lanes on the host side and supporting a 400G FlexO rate and FOIC4.16-RS host interface (i.e., roughly the same bit rate as that of OTL4.4 with similar digital format as 400GAUI-16) could be reused for 400G FlexO-4-RS transport. They have corresponding optical specifications with optical parameters as specified for the PAM4 application codes 8R1-4D1F or 8I1-4D1F in [ITU-T G.959.1]. These modules have an eight-lane WDM interface to and from a transmit/receive pair of b-ITU-T G.652 optical fibres.

These applications of  $m \times$ FOIC2.8-RS bonded interfaces (short-reach  $m \times$ 200G FlexO-2-RS- $m$  group) and  $m \times$ FOIC4.16-RS bonded interfaces (short-reach  $m \times$ 400G FlexO-4-RS- $m$  group) are illustrated in Figure 8-4.



**Figure 8-4 – Application of FOIC2.8-RS and FOIC4.16-RS interfaces**

NOTE – The RS10 (544,514) FEC computing and 200G/400G FlexO-x-RS lane distribution is summarized in clause 9.2 and fully specified in clauses 12 and 13 of [ITU-T G.709.1]. For FOIC2.8-RS and FOIC4.16-RS, each physical lane corresponds to a 28G FOIC1.k-RS logical lane. This FEC scheme and lane architecture follows the same processes as specified in clause 119 of [b-IEEE 802.3] for 200GBASE-R (200GAUI-8) and 400GBASE-R (400GAUI-16) interfaces, respectively. Depending on the application, the RS10 FEC could be used as line FEC or terminated in an ODSP device. When the RS10 FEC is used as line FEC, the 28G lanes on the host interface could be bit multiplexed towards optical lanes. Also, in some applications, implementers could make use of or terminate the FlexO OH in an ODSP device. Although some OH may become optional, it is generated at the source and may be ignored at the sink (see Clause 9.1 and 9.2 for the handling of FlexO OH for this type of application).

The bit rates of the FOIC2.8-RS and FOIC4.16-RS are indicated in Tables 8-4a and 8-4b.

**Table 8-4a – Bit rates of short-reach m\*200G FlexO-2-RS-m and FOIC2.8-RS**

FOI type	FOI nominal bit rate (kbit/s)	FOI bit-rate tolerance (ppm)
<b>a</b>		
FlexO-2-RS-m	$m \times 8 \times 256/241 \times 239/226 \times 24\ 883\ 200$	$\pm 20$
FOIC2.8-RS	$8 \times 256/241 \times 239/226 \times 24\ 883\ 200$	$\pm 20$
FOIC2.8-RS lane	$256/241 \times 239/226 \times 24\ 883\ 200$	$\pm 20$
NOTE – The nominal FOIC2.8-RS lane bit rate is approximately: 27 952 368.611 kbit/s.		

**Table 8-4b – Bit rates of short-reach m\*400G FlexO-4-RS-m and FOIC4.16-RS**

FOI type	FOI nominal bit rate	FOI bit-rate tolerance
FlexO-4-RS-m	$m \times 16 \times 256/241 \times 239/226 \times 24\ 883\ 200$	$\pm 20$
FOIC4.16-RS	$16 \times 256/241 \times 239/226 \times 24\ 883\ 200$	$\pm 20$
FOIC4.16-RS lane	$256/241 \times 239/226 \times 24\ 883\ 200$	$\pm 20$
NOTE – The nominal FOIC4.16-RS lane bit rate is approximately: 27 952 368.611 kbit/s.		

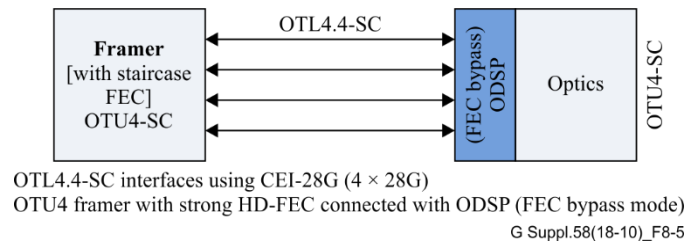


## 8.5 OTL4.4-SC structure

As specified in clause 11 of [ITU-T G.709.2], an OTU4-SC (OTU4 with staircase (SC) FEC parity and overhead) signal can be adapted and carried over an OTL4.4-SC interface. The OTU4-SC frame and FEC scheme are specified in clause 8 of [ITU-T G.709.2]. The frame format, OH structure and FEC redundancy of OTU4-SC and OTU4 are identical. Therefore, OTU4-SC is like an OTU4 signal using a strong SC-FEC code, instead of the RS8 (255,239) code of [ITU-T G.709].

The OTL4.4-SC interface could be used to connect a 100G OTU4 framer implementing the hard-decision SC FEC with an ODSP device not supporting that FEC. This implementation enables the interoperable OTU4-SC metro/long reach interface in accordance with [ITU-T G.709.2], in which case the module has optical specifications with the parameters and optical modulation described in [b-ITU-T G.698.2].

This particular application example of the OTL4.4-SC interface is illustrated in Figure 8-5.



**Figure 8-5 – Example application of OTL4.4-SC interface**

Each OTL4.4-SC lane carries five bit-multiplexed logical lanes of an OTU4-SC as described in clause 11 of [ITU-T G.709.2] and Annex C of [ITU-T G.709].

The bit rates of the OTL4.4-SC specified in [ITU-T G.709.2] are listed in Table 8-5.

**Table 8-5 – Bit rates of OTL4.4-SC**

OTL type	OTL nominal bit rate (kbit/s)	OTL bit-rate tolerance (ppm)
OTL4.4-SC	$4 \times 255/227 \times 24\ 883\ 200$	$\pm 20$
OTL4.4-SC lane	$255/227 \times 24\ 883\ 200$	$\pm 20$
NOTE – The nominal OTL4.4-SC lane bit rate is approximately: 27 952 493.392 kbit/s.		

## 8.6 OTL50.2-RS and OTL50u.2-RS structures

As described in clause 9.6 of [ITU-T G.709.4], an OTU50-RS signal can be distributed (in groups of 10 bits) over two OTL50.2-RS lanes. The same scheme is used for OTU50u-RS signal distribution over two OTL50u.2-RS lanes.

NOTE – The RS (544, 514, 10) FEC scheme and lane distribution for OTU50-RS and OTU50u-RS signals in accordance with [ITU-T G.709.4] are the same as those specified in clause 134 of [b-IEEE 802.3] for a 50GBASE-R interface.

The OTL50.2-RS or OTL50.2u-RS interface could be used as a two-lane MFI in order to connect a 50G OTN framer with a 50G pluggable module supporting 25G electrical lanes on the host side and a 2:1 multiplexer (MUX).

Within the module, the 50G OTL50(u).1-RS transport lane is formed by simple bit-multiplexing of the two 25G OTL50(u).2-RS lanes from the host side. It provides an interoperable optical interface format for OTU50-RS or OTU50u-RS short-reach interfaces.

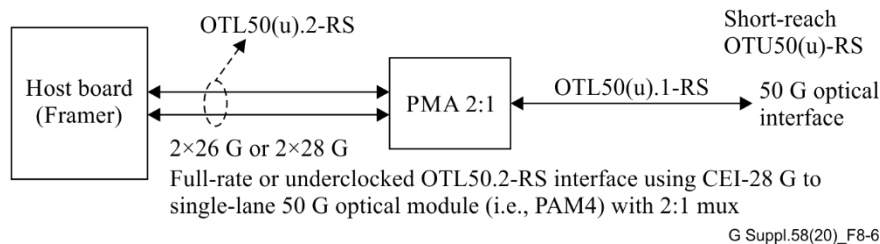
The receive module bit-demultiplexes the 50G OTL50(u).1-RS transport lane recovered from the optical interface, into two 25G OTL50(u).2-RS electrical lanes on its host side towards the framer. The framer sink identifies each of the two 25G OTL50(u).2-RS lanes according to its AM specific pattern (unique UMx values). It must accept the two lanes in any position, and after alignment and deskew, interleave these two OTL50(u).2-RS logical lanes (in groups of 10 bits) into an OTU50(u)-RS frame.

In accordance with Table 8-6b, the OTL50u.2-RS interface operates within the 50GAUI-2 interface bit rate range and with similar FEC and lane format. There is just +15.6 ppm offset between the two nominal rates. So, first generation pluggable modules developed for Ethernet 50GBASE-R applications with a 2:1 MUX and 50GAUI-2 interface on the host side could be reused for underclocked 50G OTN transport (i.e., OTU50u-RS) with an OTL50u.2-RS MFI between the framer and the optical module.

If such a module also supports full-rate 50G OTN signals with OTL50.2-RS MFI on its host side (i.e., 2x 28G electrical lanes with almost the same bit rate as a FOIC1.4 lane and similar FEC and lane format as 50GAUI-2), it could also be reused for OTU50-RS full-rate transport.

Modules developed for [b-IEEE 802.3] are specified 50GBASE-LR and 50GBASE-ER with a PAM4 optical physical medium dependent (PMD) sublayer, and may be used for 50G OTU50(u)-RS interfaces when conforming to the optical specifications and parameters to be determined by application codes for metro networks. Some of these 50G modules may have a single WDM interface to and from a transmit/receive pair of b-ITU-T G.652 optical fibres.

These applications of OTL50.2-RS and OTL50u.2-RS interfaces (considering metro network transport of OTU50-RS and OTU50u-RS) are illustrated in Figure 8-6.



**Figure 8-6 – Example application of OTL50.2-RS and OTL50u.2-RS interfaces**

The bit rates of these full-rate (i.e., OTL50.2-RS) and underclocked (i.e., OTL50u.2-RS) interfaces and lanes are listed in Tables 8-6a and 8-6b, in accordance with [ITU-T G.709.4] specifications.

**Table 8-6a – Bit rates of OTL50.2-RS**

OTL type	OTL nominal bit rate (kbit/s)	OTL bit-rate tolerance (ppm)
<b>a</b>		
OTL50.2-RS	$2 \times 255/227 \times 24\,833\,200$	$\pm 20$
OTL50.2-RS lane	$255/227 \times 24\,883\,200$	$\pm 20$
NOTE – The nominal OTL50.2-RS lane bit rate is approximately: 27 952 493.392 kbit/s.		

**Table 8-6b – Bit rates of OTL50u.2-RS**

OTL type	OTL nominal bit rate	OTL bit-rate tolerance
OTL50u.2-RS	$2 \times 680/637 \times 24\,833\,200$	$\pm 20$
OTL50u.2-RS lane	$680/637 \times 24\,833\,200$	$\pm 20$
NOTE – The nominal OTL50u.2-RS lane bit rate is approximately: 26 562 913.658 kbit/s.		

### 8.7 OTU25-RS and OTU25u-RS structures

Clause 8.6 and Annex B of [ITU-T G.709.4] specify the interface formats of OTU25-RS and OTU25u-RS signals as single lane OTU25-RS and single lane OTU25u-RS, respectively.

NOTE – The RS (528, 514, 10) FEC scheme for OTU25u-RS in accordance with Annex B and C of [ITU-T G.709.4], is the same as that specified in clause 108 of [IEEE 802.3] for a 25GBASE-R interface. The RS (544, 514, 10) FEC scheme for OTU25-RS in accordance with Annex A of [ITU-T G.709.4], is similar to the 50GBASE-R FEC.

The OTU25-RS or OTU25u-RS interface could be used as a single lane MFI to connect a 25G OTN framer with a 25G pluggable module.

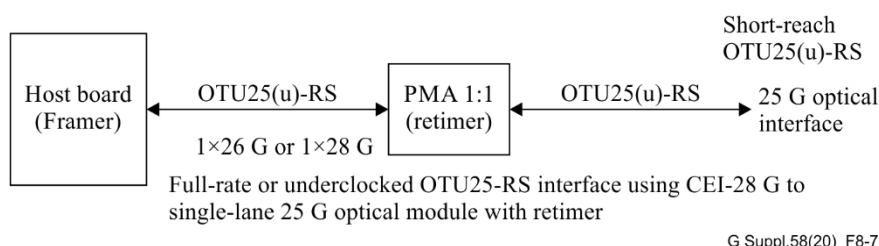
These modules include a simple retimer and provide an interoperable optical interface format for OTU25-RS or OTU25u-RS short-reach interfaces.

In accordance with Table 8-7b, the OTU25u-RS interface operates within the 25GAUI interface bit rate range and with similar FEC and lane format. There is just +15.6 ppm offset between the two nominal rates. So, pluggable modules developed for Ethernet 25GBASE-R applications could be reused for underclocked 25G OTN transport (i.e., OTU25u-RS) with an OTU25u-RS MFI between the framer and the optical module.

If such a module also supports full-rate the 25G OTN interface and OTU25-RS MFI on its host side (i.e., 28G electrical lane with same bit rate as OTL4.4 lane), it could also be reused for OTU25-RS full-rate transport.

Modules developed for [b-IEEE 802.3] are specified 25GBASE-LR and 25GBASE-ER, and may be used for 25G OTU25(u)-RS optical interfaces, when conforming to the optical specifications and parameters to be determined by application codes for metro networks. Some of these 25G modules may have a single WDM interface to and from a transmit/receive pair of b-ITU-T G.652 optical fibres.

These applications of OTU25-RS and OTU25u-RS interfaces (considering metro network transport of OTU25-RS and OTU25u-RS) are illustrated in Figure 8-7.



**Figure 8-7 – Example application of single lane OTU25-RS and OTU25u-RS interfaces**

The bit rates of these full-rate (i.e., OTU25-RS) and underclocked (i.e., OTU25u-RS) interfaces and lanes are indicated in Tables 8-7a and 8-7b, in accordance with [ITU-T G.709.4] specifications.

**Table 8-7a – Bit rate of single-lane OTU25-RS**

lane type	lane nominal bit rate (kbit/s)	lane bit-rate tolerance (ppm)
OTU25-RS lane	$255/227 \times 24\,883\,200$	$\pm 20$
NOTE – The nominal OTU25-RS lane bit rate is approximately: 27 952 493.392 kbit/s.		

**Table 8-7b – Bit rate of single-lane OTU25u-RS**

Lane type	lane nominal bit rate	OTL bit-rate tolerance
OTU25u-RS lane	$660/637 \times 24\,833\,200$	$\pm 20$
NOTE – The nominal OTU25u-RS lane bit rate is approximately: 25 781 651.491 kbit/s.		

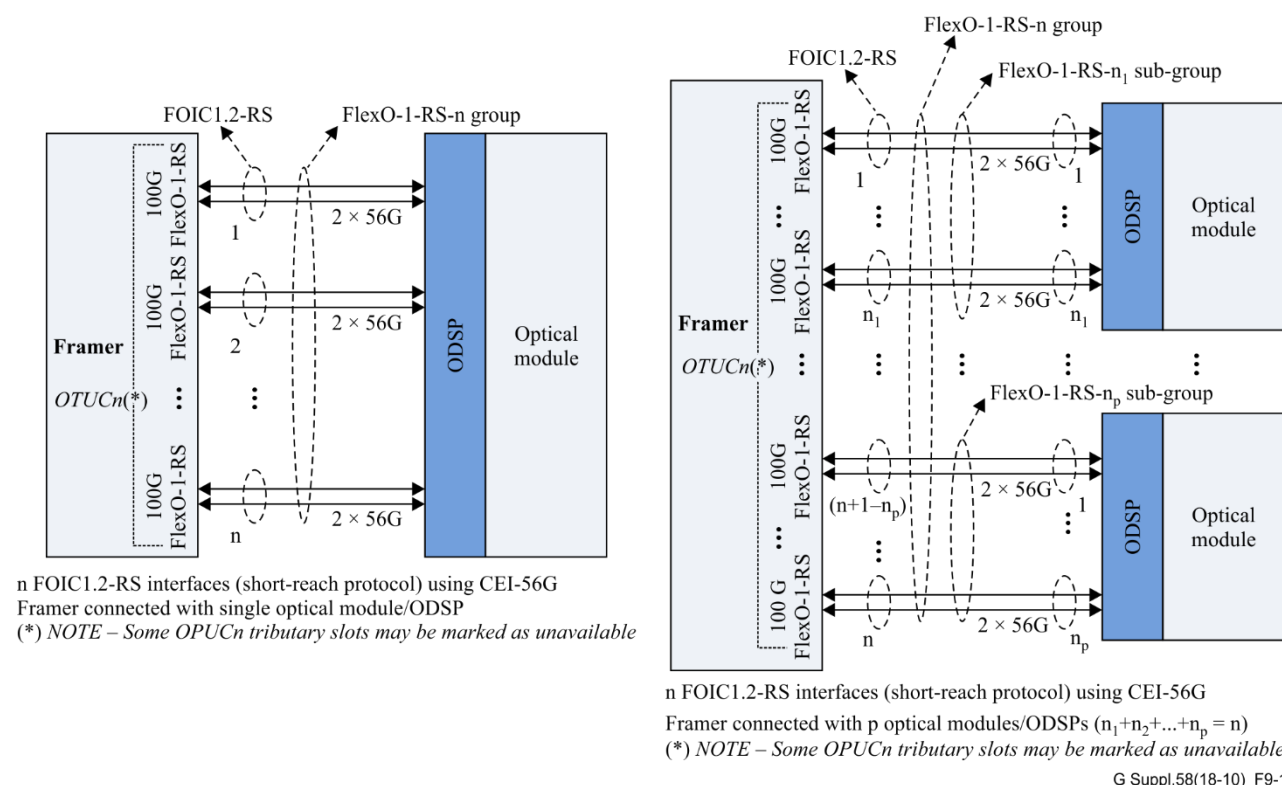
## 9 Signal formats and rates carried over 53G or 56G electrical lanes

This clause describes some MFI structures using 56G physical lanes to carry 50G OTU50-RS or B100G OTUC<sub>n</sub> ( $n \geq 1$ ) signals, or using 53G single physical lane to carry underclocked 50G OTU50u-RS. The electrical characteristics of each 56G physical lane may comply with [b-OIF CEI] CEI-56G-xR-PAM4 specifications.

### 9.1 FOIC1.2-RS structure

As shown in Figures 7-1 and 10-1 of [ITU-T G.709.1], an OTUC<sub>n</sub> signal ( $n \geq 1$ ), full-rate or sub-rated (with some OPUC<sub>n</sub> tributary slots marked as unavailable), can be carried over  $n \times$  FOIC1.2-RS bonded interfaces (short-reach FlexO-1-RS- $n$  group, with  $x = 1$  and  $k = 2$ ). Each FOIC1.2-RS interface carries two physical lanes of a 100G FlexO-1-RS frame (carrying an OTUC).

An application example of the FOIC1.2-RS interface is to connect third generation beyond 100G OTN framers with ODSP devices over 56G electrical lanes and connecting these framers with emerging line side optical modules. See Figure 9-1.



**Figure 9-1 – Example applications of a FOIC1.2-RS interface**

In accordance with the mapping and framing specifications in clauses 10 and 11 of [ITU-T G.709.1], the OTUC<sub>n</sub> is split into n times OTUC, and each OTUC is synchronously mapped and carried into an individual 100G FlexO-SR frame. The 100G FlexO-1-RS frame consists of frame AMs, OH, FEC [RS10 (544,514) parity], and payload area in which the OTUC is transported (see clause 8 of [ITU-T G.709.1]).

Two possible application examples are considered. In the first, the FlexO is terminated at both ends of the MFI. In the second, the FlexO is terminated at the framer and [fully or partially] passed through at the ODSP. The second example is for further study.

In the first application example, each 100G FlexO-1-RS frame is terminated at both end of the MFI. Thus, some FlexO OH area becomes optional and though it is generated at the source, it may be ignored at the sink.

The FlexO multi-frame alignment signal is generated at the source and fully interpreted at the sink in accordance with clause 9.2.1 of [ITU-T G.709.1].

The use of the OTN synchronization messaging channel and FlexO communications channel OH across the MFI is for further study.

Additionally, the Rx Line pre-FEC detected local degrade (LD) status bit is optionally carried in bit 8 of the STAT field.

The Rx ODSP detects the Rx line pre-FEC LD and forwards the LD status bit to the Rx framer device through the MFI.

After synchronous scrambling and RS10 FEC parity insertion (see clauses 11.4 and 11.5 of [ITU-T G.709.1]), each individual 100G FlexO-1-RS frame is distributed (in groups of 10 bits) on four 28G FOIC1.k-RS logical lanes as described for FOIC1.4-RS in clause 11.6.1 of [ITU-T G.709.1].

Each 56G physical lane of a FOIC1.2-RS is formed by simple bit-multiplexing of two 28G FOIC1.k-RS logical lanes from the same 100G FlexO-1-RS. At the sink, the bits from each individual 56G FOIC1.2-RS lane are deinterleaved into two 28G FOIC1.k-RS logical lanes. The sink identifies each of the four 28G FOIC1.k-RS logical lanes within a FOIC1.2-RS interface according to its AM specific pattern (unique UM<sub>x</sub> and UP<sub>x</sub> values as specified in [ITU-T G.709.1]). The sink must be able to accept the four 28G logical lanes in any position, and in addition to 28G logical lane alignment and deskew, proceed to reorder these four 28G FOIC1.k-RS logical lanes prior to reassembly into a 100G FlexO-1-RS frame. Following this 100G FlexO-1-RS frame alignment, the FlexO OH is terminated, and the OTUC is demapped and aligned. At the framer sink, the Rx line pre-FEC LD status bit is extracted from the FlexO OH area and the n OTUC demapped from the n FOIC1.2 interfaces are deskewed to retrieve the original OTUC<sub>n</sub> signal. At the ODSP sink, n<sub>i</sub> OTUC demapped from n<sub>i</sub> FOIC1.2 interfaces could be deskewed, crunched (removing unavailable tributary slots), and assembled as the OTUC<sub>n<sub>i</sub></sub> digital signal to be transmitted.

Groups of two FOIC1.2-RS physical lanes carrying one 100G FlexO-1-RS frame (so one OTUC instance) must be connected as a 100G group. Physical lanes within such a 100G group can be interchanged, but physical lanes of different 100G groups must not be interchanged.

The bit rates of FOIC1.2-RS are specified in Table 9-1.

**Table 9-1 – Bit rates of short-reach FlexO-1-RS-n and FOIC1.2-RS**

FOI type	FOI nominal bit rate (kbit/s)	FOI bit-rate tolerance (ppm)
FlexO-1-RS-n	$n \times 2 \times 256/241 \times 239/226 \times 49\,766\,400$	$\pm 20$
FOIC1.2-RS	$2 \times 256/241 \times 239/226 \times 49\,766\,400$	$\pm 20$
FOIC1.2-RS lane	$256/241 \times 239/226 \times 49\,766\,400$	$\pm 20$
NOTE – The nominal FOIC1.2-RS lane bit rate is approximately: 55 904 737.223 kbit/s.		

## 9.2 FOIC2.4-RS and FOIC4.8-RS structures

As shown in Figure 7-1 of [ITU-T G.709.1], an OTUC<sub>n</sub> signal ( $n \geq 1$ ), full-rate or sub-rated (with some OPUC<sub>n</sub> tributary slots marked as unavailable), can be carried over  $m$ \*FOIC2.4-RS or  $m$ \*FOIC4.8-RS bonded interfaces (short-reach FlexO- $x$ -RS- $m$  group, with  $\{x,k\} = \{2,4\}$  or  $\{4,8\}$  respectively). Each FOIC2.4-RS interface contains four physical lanes of a 200G FlexO-2-RS frame (carrying up to two OTUC). Each FOIC4.8-RS interface contains eight physical lanes of a 400G FlexO-4-RS frame (carrying up to four OTUC).

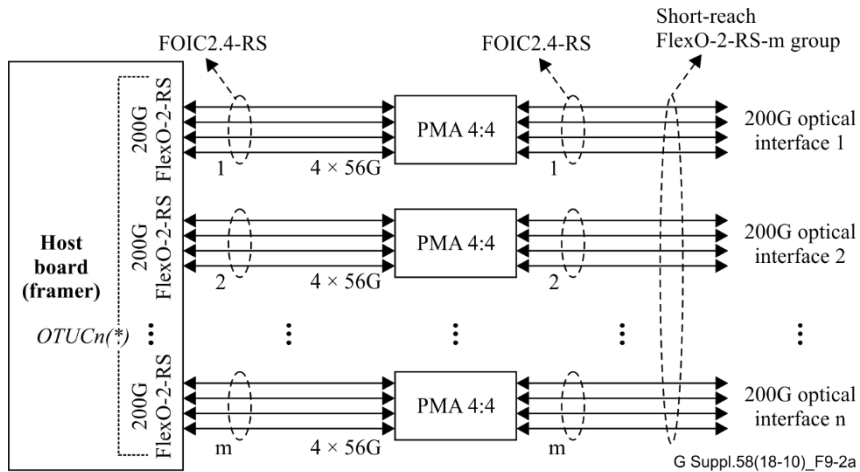
This provides interoperable modular short-reach OTN interfaces for B100G OTUC<sub>n</sub> ( $n \geq 1$ ) transport signals, by bonding  $m$ \*200G or  $m$ \*400G standard-rate interfaces.

Four-lane pluggable modules developed for Ethernet 200GBASE-R applications and supporting the FlexO rate (i.e., about half the OTU4 rate per 56G lane) could be reused for 200G FlexO-2-RS transport and FOIC2.4-RS interface. Eight-lane pluggable modules developed for Ethernet 400GBASE-R applications and supporting the FlexO rate (i.e., about half the OTU4 rate per 56G lane) could also be reused for 400G FlexO-4-RS transport and FOIC4.8-RS interface. Modules developed for [b-IEEE 802.3] specified 200GBASE-FR4, 200GBASE-LR4, 400GBASE-FR8 and 400GBASE-LR8.

They have corresponding optical specifications for 200G FlexO-2-RS and 400G FlexO-4-RS interfaces with the optical parameters as specified for the PAM4 application codes 4I1-4D1F and 8R1-4D1F or 8I1-4D1F, respectively, of [ITU-T G.959.1] and PAM4 application code C4S1-4D1F of [ITU-T G.695]. The 200G modules have a four-lane WDM interface and the 400G modules have an eight-lane interface to and from a transmit/receive pair of ITU-T G.652 optical fibres.

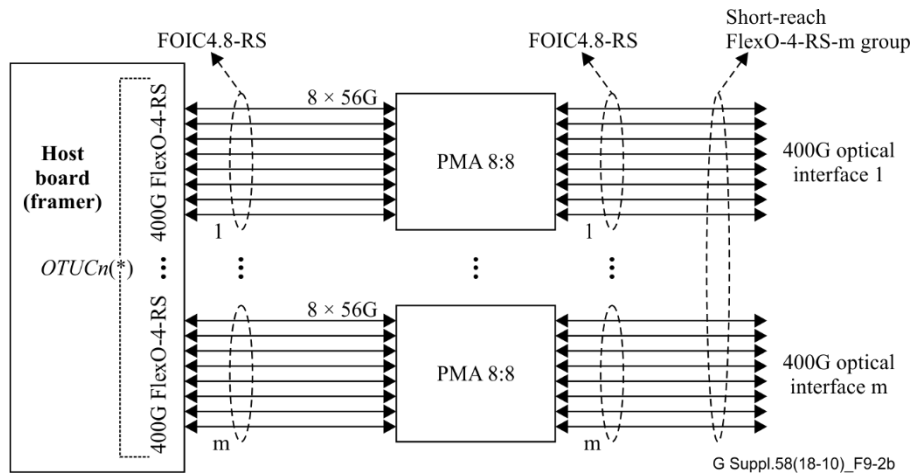
Most of these pluggable modules use a four-lane electrical chip-to-module interface (200GAUI-4) or an eight-lane chip-to-module interface (400GAUI-8), whose specifications are found in Annex 120E of [b-IEEE 802.3].

These applications of  $m$ \*FOIC2.4-RS bonded interfaces (short-reach  $m$ \*200G FlexO-2-RS- $m$  group) and  $m$ \*FOIC4.8-RS bonded interfaces (short-reach  $m$ \*400G FlexO-4-RS- $m$  group) are illustrated in Figures 9-2a and 9.2b respectively.



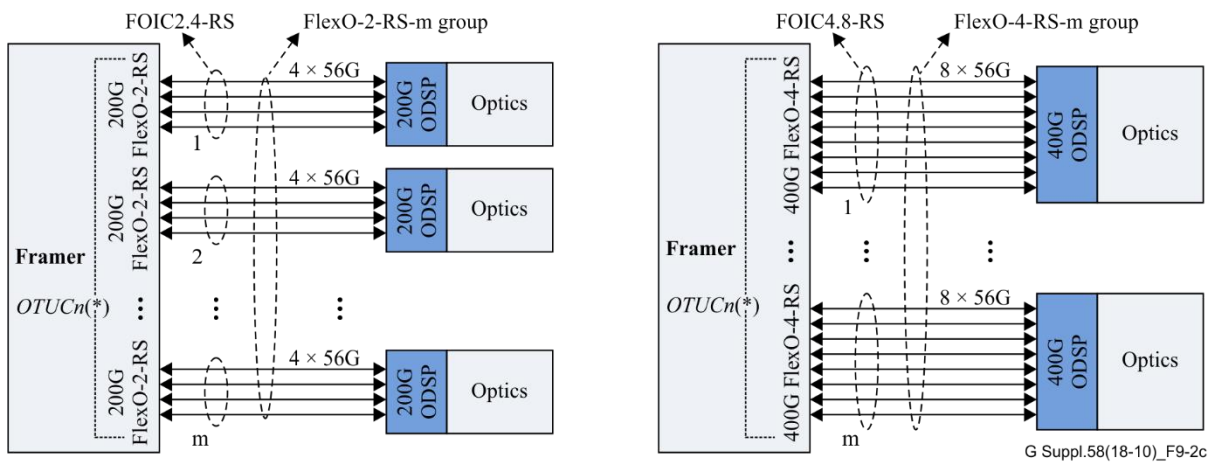
m FOIC2.4-RS short-reach interfaces using CEI-56G to m bonded 200G optical modules ( $2m \geq n$ )  
 (\*) NOTE – Some OPUCn tributary slots may be marked as unavailable; if  $2m = n$ , then each 200G FlexO-2-RS carries two OTUC; else if  $2m > n$ , some 200G FlexO-2-RS signal frames within the group only carry one OTUC in their first 100G FlexO instance (second 100G FlexO instance being unequipped)

**Figure 9-2a – FOIC2.4-RS interface main application example**



**Figure 9-2b – FOIC4.8-RS interface main application example**

The FOIC2.4-RS or FOIC4.8-RS interface could be used alternately to two or four FOIC1.4-RS interfaces to connect a beyond 100G OTN framer with one or more 200G or 400G ODSP devices supporting FlexO interfaces on the host side. One possible advantage for implementers is that the FEC and lane processing for 200G FOIC2.4-RS or 400G FOIC4.8-RS interface is almost identical to 200GAUI-4 or 400GAUI-8, respectively, thus allowing implementers to share digital logic in an optimized DSP supporting both Ethernet and OTN signals on its host side. This alternate application is illustrated in Figure 9-2c.



m FOIC2.4-RS interfaces using CEI-56G  
Framer connected with m ODSPs ( $2m \geq n$ )

(\*) NOTE – Some OPUCn tributary slots may be marked as unavailable

m FOIC4.8-RS interfaces using CEI-56G  
Framer connected with m ODSPs ( $4m \geq n$ )

(\*) NOTE – Some OPUCn tributary slots may be marked as unavailable

**Figure 9-2c – Alternate application of FOIC2.4-RS and FOIC4.8-RS interfaces**

In accordance with the mapping specification in clause 10 of [ITU-T G.709.1], the OTUCn is split into n times OTUC, and each OTUC is synchronously mapped into an individual 100G FlexO instance or frame. Each 100G FlexO frame consists of frame AMs, pad (PAD) area, OH area, and payload area in which the OTUC is transported (see clause 8 of [ITU-T G.709.1]).

Then, as described in clause 12 of [ITU-T G.709.1] for 200G FlexO-2-RS, each set of two 100G FlexO instances with an individual RS10 FEC parity area per instance (A, B) corresponds to a 200G FlexO-2-RS frame, and  $m \cdot 200G$  FlexO-2-RS frames carry the OTUCn ( $n \leq 2m$ ). If  $[n = 2m]$ , then each 200G frame carries two OTUC. When  $[n < 2m]$ , then  $[i] \cdot 200G$  frames carry two OTUC, while  $[m-i] \cdot 200G$  frames only carry one OTUC in their first 100G FlexO instance (the second 100G FlexO instance being unequipped).

As described in clause 13 of [ITU-T G.709.1] for 400G FlexO-4-RS, each set of four 100G FlexO is interleaved (on a 10-bit basis) with an RS10 FEC parity area per instance that corresponds to a 400G FlexO-4-RS frame.  $m \cdot 400G$  FlexO-4-RS frames carry the OTUCn. If  $[n = 4m]$ , then each 400G frame carries four OTUC. If  $[n < 4m]$ , then, some 400G frames carry fewer than four, but at least one OTUC [the last one, two or three 100G FlexO instance(s) being unequipped].

Depending on the application, the FlexO OH may be terminated or carried transparently in the ODSP. When it is terminated in the ODSP, see clause 9.1 for the handling of FlexO OH for this type of application.

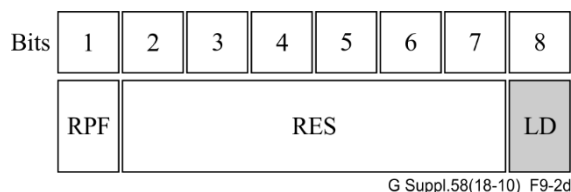
For both applications, the Rx ODSP detects the Rx line pre-FEC LD and optionally forwards the LD status bit to the Rx framer device through the MFI, as carried in bit 8 of the STAT field of the first 100G FlexO instance OH of the 200G or 400G FlexO-x-RS frame.

After interleaving (on a 10-bit basis) of the two 100G FlexO instances (200G FlexO-2-RS) or four 100G FlexO instances (400G FlexO-4-RS), FEC area insertion and scrambling of the 200G/400G FlexO-x-RS frame, the AM values are inserted. Then, the RS10 (544,514) FEC parity is calculated based on two interleaved RS10 codewords. For 200G FlexO-2-RS, the resulting 200G signal is distributed on eight 28G FOIC2.k-RS logical lanes in accordance with the 200G FOIC2.k-RS interface specifications in clause 12.6 of [ITU-T G.709.1]. For 400G FlexO-4-RS, the resulting 400G signal is distributed on 16 28G FOIC4.k-RS logical lanes in accordance with the 400G FOIC4.k-RS interface specifications in clause 13.6 of [ITU-T G.709.1]. FEC calculation and lane distribution (in groups of 10 bits) follow the same processes as specified in clause 119 of [b-IEEE 802.3] for 200GBASE-R and 400GBASE-R interfaces, respectively.



Each 56G physical lane of a FOIC2.4-RS or FOIC4.8-RS is formed by simple bit-multiplexing of two 28G logical lanes from the same 200G FlexO-2-RS or 400G FlexO-4-RS, respectively. At the sink, the bits from each individual 56G FOIC2.4-RS or 56G FOIC4.8-RS lane are deinterleaved into two 28G logical lanes. The sink identifies each of the eight 28G logical lanes within a FOIC2.4-RS interface according to its AM specific pattern (UMx and UPx values). The sink must be able to accept the eight 28G logical lanes in any position, and in addition to 28G logical lane alignment and deskew, proceed to reorder these eight 28G logical lanes prior to reassembly into a 200G FlexO-2-RS frame. Similarly, in the case of FOIC4.8-RS, the sink must be able to accept the 16 28G logical lanes in any position, and in addition to 28G logical lane alignment and deskew, proceed to reorder these 16 28G logical lanes prior to reassembly into a 400G FlexO-4-RS frame.

Following this 200G or 400G FlexO-x-RS frame alignment, FEC termination and descrambling, the FlexO OH is terminated, and, depending on the application, each OTUC can be demapped from its deinterleaved 100G FlexO instance and aligned. At the framer sink, the Rx line pre-FEC LD status bit is extracted from the FlexO OH area and the n OTUC demapped from the m FOIC2.4-RS or m FOIC4.8-RS interfaces are deskewed to retrieve the original OTUCn signal. At the ODSP sink, and if applicable, n OTUC demapped from an FOIC2.4-RS or FOIC4.8-RS interface could be deskewed, crunched (removing unavailable tributary slots) and assembled as the OTUCn digital signal to be transmitted. See Figure 9-2-d.



**Figure 9-2d – Optional Rx line pre-FEC local degrade status bit location in first instance of FlexO OH STAT field (Rx ODSP to framer direction)**

The bit rates of the FOIC2.4-RS and FOIC4.8-RS specified in [ITU-T G.709.1] are listed in Tables 9-2a and 9-2b, respectively.

**Table 9-2a – Bit rates of short-reach m\*200G FlexO-2-RS-m and FOIC2.4-RS**

FOI type	FOI nominal bit rate (kbit/s)	FOI bit-rate tolerance (ppm)
FlexO-2-RS-m	$m \times 4 \times 256/241 \times 239/226 \times 49\ 766\ 400$	$\pm 20$
FOIC2.4-RS	$4 \times 256/241 \times 239/226 \times 49\ 766\ 400$	$\pm 20$
FOIC2.4-RS lane	$256/241 \times 239/226 \times 49\ 766\ 400$	$\pm 20$
NOTE – The nominal FOIC2.4-RS lane bit rate is approximately: 55 904 737.223 kbit/s.		

**Table 9-2b – Bit rates of short-reach m\*400G FlexO-4-RS-m and FOIC4.8**

FOI type	FOI nominal bit rate	FOI bit-rate tolerance
FlexO-4-RS-m	$m \times 8 \times 256/241 \times 239/226 \times 49\ 766\ 400$	$\pm 20$
FOIC4.8-RSt	$8 \times 256/241 \times 239/226 \times 49\ 766\ 400$	$\pm 20$
FOIC4.8-RS lane	$256/241 \times 239/226 \times 49\ 766$	$\pm 20$
NOTE – The nominal FOIC4.8-RS lane bit rate is approximately: 55 904 737.223 kbit/s.		

### 9.3 OTL50.1-RS and OTL50u.1-RS structures

As described in clause 9.6 of [ITU-T G.709.4], an OTU50-RS signal can be distributed (in groups of 10 bits) over two OTL50.2-RS logical lanes that can be bit-multiplexed into a single OTL50.1-RS lane. The same scheme is used to adapt an OTU50u-RS signal into an OTL50u.1-RS lane.

NOTE – The RS (544, 514, 10) FEC scheme and lane distribution for OTU50-RS and OTU50u-RS signals in accordance with [ITU-T G.709.4], are the same as specified in clause 134 of [IEEE 802.3] for 50GBASE-R interface.

The OTL50.1-RS or OTL50u.1-RS interface could be used as a single lane MFI in order to connect a 50G OTN framer with a 50G pluggable module supporting a 50G electrical lane on its host side.

These modules include a simple retimer and provide an interoperable optical interface format for OTU50-RS or OTU50u-RS short-reach interfaces.

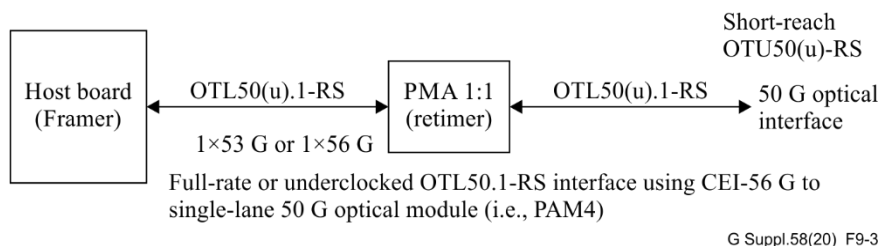
The framer sink bit-demultiplexes the 50G OTL50(u).1-RS electrical lane (MFI received from the module) into two 25G OTL50(u).2-RS logical lanes and identifies each of the two logical lanes according to its AM specific pattern (UMx values). After alignment and deskew, these two OTL50(u).2-RS logical lanes are interleaved (in groups of 10 bits) into an OTU50(u)-RS frame.

In accordance with Table 9-3b, the OTL50u.1-RS interface operates within the 50GAUI-1 interface bit rate range and with similar lane and FEC format. There is just a +15.6 ppm offset between the two nominal rates. So, second generation pluggable modules developed for Ethernet 50GBASE-R applications with simple retimer and 50GAUI-1 interface on the host side could be reused for underclocked 50G OTN signal transport (i.e., OTU50u-RS) with an OTL50u.1-RS MFI between the framer and the optical module.

If such a module also supports a full-rate 50G OTN interface with a single lane OTL50.1-RS MFI on its host side (i.e., 56G electrical lane with almost the same bit rate as the FOIC1.2 lane and similar FEC and lane format to 50GAUI-1), it could also be reused for OTU50-RS full-rate transport.

Modules developed for [b-IEEE 802.3] are specified 50GBASE-LR and 50GBASE-ER with a PAM4 optical PMD sublayer, and may be used for 50G OTU50(u)-RS interfaces when conforming to the optical specifications and parameters to be determined by application codes for metro networks. Some of these 50G modules may have a single WDM interface to and from a transmit/receive pair of b-ITU-T G.652 optical fibres.

These applications of OTL50.1-RS and OTL50u.1-RS interfaces (considering metro network transport of OTU50-RS and OTU50u-RS) are illustrated in Figure 9-3.



**Figure 9-3 – Example application of single lane OTL50.1-RS and OTL50u.1-RS interfaces**

The bit rates of these full-rate (i.e., OTL50.1-RS) and underclocked (i.e., OTL50u.1-RS) interfaces and lanes are listed in Table 9-3a and 9-3b, in accordance with [ITU-T G.709.4] specifications.

**Table 9-3a – Bit rates of single lane OTL50.1-RS**

OTL type	OTL nominal bit rate (kbit/s)	OTL bit-rate tolerance (ppm)
OTL50.1-RS	$1 \times 255/227 \times 49\,766\,400$	$\pm 20$
OTL50.1-RS lane	$255/227 \times 49\,766\,400$	$\pm 20$
NOTE – The nominal OTL50.1-RS lane bit rate is approximately: 55 904 986.784 kbit/s.		

**Table 9-3b – Bit rates of single-lane OTL50u.1-RS**

OTL type	OTL nominal bit rate	OTL bit-rate tolerance
OTL50u.1-RS	$1 \times 680/637 \times 49\,766\,400$	$\pm 20$
OTL50u.1-RS lane	$680/637 \times 49\,766\,400$	$\pm 20$
NOTE – The nominal OTL50u.1-RS lane bit rate is approximately: 53 125 827.316 kbit/s.		

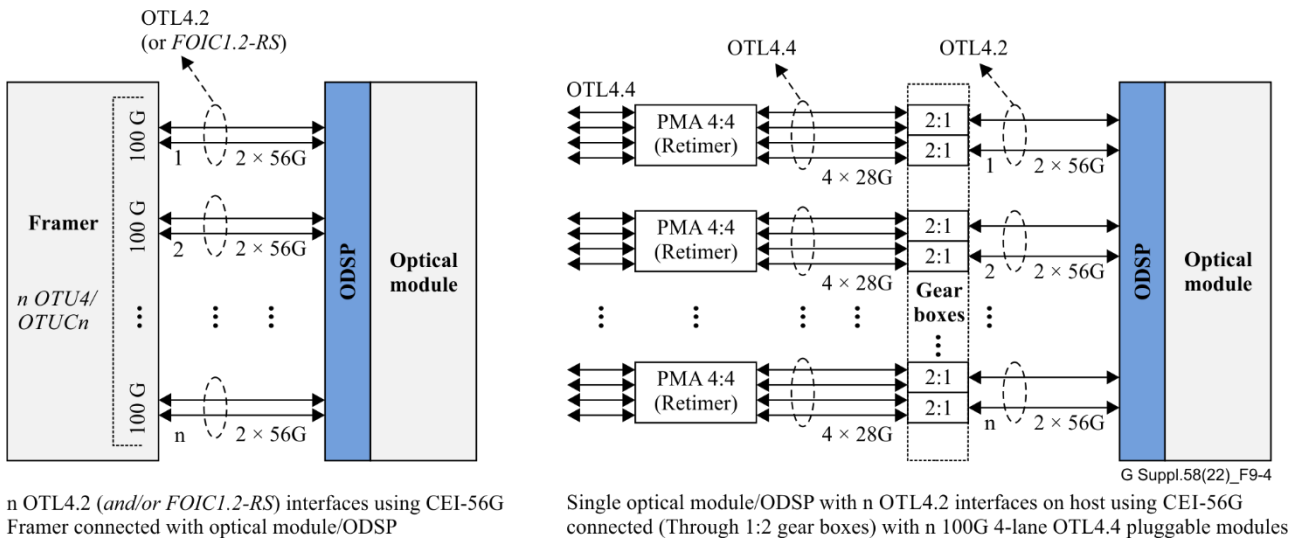
#### 9.4 OTL4.2 structure

The purpose of the OTL4.2 interface is to carry an OTU4 signal over two 56G physical lanes.

As described in Annex C of [ITU-T G.709], the scrambled OTU4 frame is split, distributed, and adapted to 20 5G OTL4 logical lanes, each carrying an LLM number as a unique identifier. Each 56G physical lane of the OTL4.2 is formed by simple bit-multiplexing of 10 of these 5G logical lanes. At the sink, the bits from each individual 56G OTL4.2 lane are deinterleaved into 10 5G logical lanes. The sink identifies each of the 20 5G logical lanes within an OTL4.2 interface according to its LLM number. The sink must be able to accept the 20 5G logical lanes in any position, and in addition to 5G logical lane alignment and deskew, proceed to reorder these 20 5G logical lanes prior to reassembly into the OTU4 frame.

The OTL4.2 MFI could be used to connect OTU4 signals to the host side of a B100G ODSP device using 56G electrical lanes. Such a device may only support 56G electrical lanes on its host side for multiple OTU4 and OTUCn/FlexO client interfaces to be multiplexed towards its line side interface. In this application example, the OTL4.2 interface could connect a B100G ODSP device either with a third generation multi-100G OTN framer or with a 2× 56G PAM-4 to 4× 28G NRZ forward/reverse gearbox device connected to a 100G four-lane pluggable module with OTL4.4 interface. See Figure 9-4.

NOTE – The OTU4 RS8 FEC combined with the OTL4.2 lane striping was not specified considering 56G PAM4 electrical lane characteristics and may encounter significant performances degradation when exposed to correlated burst errors. So, to guarantee proper operation, implementers could for example limit the reach of the electrical interface or ensure that the raw bit error ratio (BER) on each OTL4.2 electrical lane is several decades lower than the highest raw BER on a 56G PAM4 electrical lane that is specified in [b-OIF CEI].



**Figure 9-4 – Example applications of an OTL4.2 interface**

The bit rates of OTL4.2 are specified in Table 9-4.

**Table 9-4 – Bit rates of OTL4.2**

OTL type	OTL nominal bit rate (kbit/s)	OTL bit-rate tolerance (ppm)
OTL4.2	$2 \times 255/227 \times 49\,766\,400$	$\pm 20$
OTL4.2 lane	$255/227 \times 49\,766\,400$	$\pm 20$

NOTE – The nominal OTL4.2 lane bit rate is approximately: 55 904 986.784 kbit/s.

## 10 Signal formats and rates carried over 112G electrical lanes

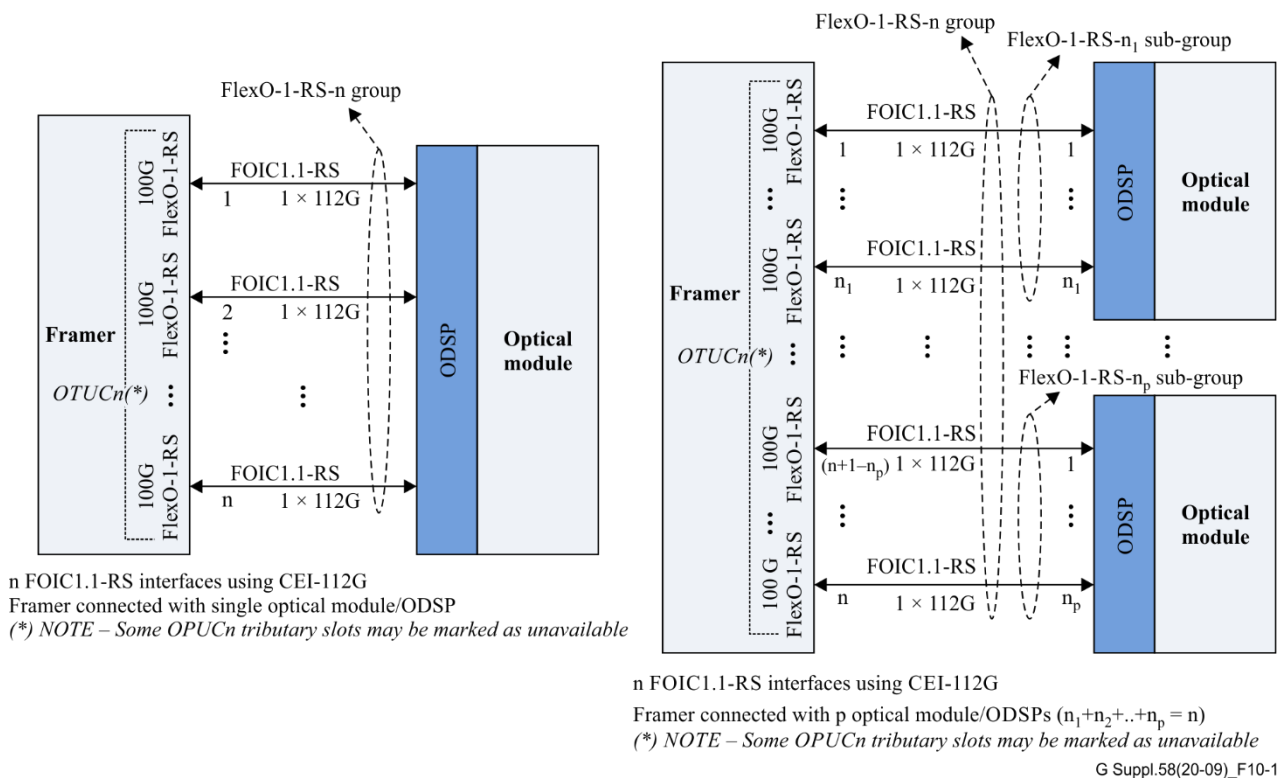
This clause describes some MFI structures using 112G physical lanes to carry B100G OTUCn ( $n \geq 1$ ) signals. The electrical characteristics of each 112G physical lane may comply with [b-OIF CEI] CEI-112G-xR-PAM4 specifications.

### 10.1 FOIC1.1-RS structure

As shown in Figures 7-1 and 10-1 of [ITU-T G.709.1], an OTUCn signal ( $n \geq 1$ ), full-rate or sub-rated (with some OPUCn tributary slots marked as unavailable), can be mapped over  $n \times 100$ G FlexO-1-RS frame signals.

In order to connect fourth generation beyond 100G OTN framers with ODSP devices and line side optical modules over 112G electrical lanes, each 100G FlexO-1-RS frame signal (carrying an OTUC) is adapted and carried over a single physical lane FOIC1.1-RS interface.

Figure 10-1 provides such application examples of an OTUCn signal carried over  $n \times$ FOIC1.1-RS bonded MFIs (FlexO-1-RS-n group, with  $x=1$  and  $k=1$ ).



**Figure 10-1 – Example applications of a FOIC1.1-RS interface**

In accordance with the mapping and framing specifications in clauses 10 and 11 of [ITU-T G.709.1] the OTUCn is split into n times OTUC, and each OTUC is mapped and carried into an individual 100G FlexO-1-RS frame. The 100G FlexO-1-RS frame consists of frame AMs, OH, FEC [RS10(544,514) parity], and payload area in which the OTUC is transported (see clause 11 of [ITU-T G.709.1]).

Depending on the application, the FlexO OH may be terminated or carried transparently in the ODSP. When it is terminated in the ODSP, see clause 9.1 for the handling of FlexO OH for this type of application.

For both applications, the Rx ODSP detects the Rx line pre-FEC LD and optionally forwards the LD status bit to the Rx framer device through the MFI, in bit 8 of the STAT field.

After synchronous scrambling and RS10 FEC parity insertion (see clauses 11.4 and 11.5 of [ITU-T G.709.1]), each individual 100G FlexO-1-RS frame is distributed (in groups of 10 bits) on four 28G FOIC1.k-RS logical lanes as described for FOIC1.4-RS in clause 11.6.1 of [ITU-T G.709.1].

The 112G FOIC1.1-RS physical lane is formed by simple bit-multiplexing of all four 28G FOIC1.k-RS logical lanes from the same 100G FlexO-1-RS. At the sink, the bits from each individual 112G FOIC1.1-RS lane are deinterleaved into four 28G FOIC1.k-RS logical lanes. The sink identifies each of the four 28G FOIC1.k-RS logical lanes within a FOIC1.1-RS interface according to its AM specific pattern (UMx and UPx values). The sink must be able to accept the four 28G logical lanes in any position, and in addition to 28G logical lane alignment and deskew, proceed to reorder these four 28G FOIC1.k-RS logical lanes prior to reassembly into a 100G FlexO-1-RS frame. Following this 100G FlexO-1-RS frame alignment, FEC termination and descrambling, the FlexO OH may be terminated, and the OTUC demapped and aligned. At the framer sink, the Rx line pre-FEC LD status bit is extracted from the FlexO OH area and the n OTUC demapped from the n FOIC1.1-RS interfaces are deskewed to retrieve the original OTUCn signal. At the ODSP sink,  $n_i$  OTUC demapped from  $n_i$  FOIC1.1-RS interfaces could be deskewed, crunched (removing unavailable tributary slots), and assembled as the OTUC $n_i$  digital signal to be transmitted.

The bit rates of FOIC1.1-RS are specified in Table 10-1.

**Table 10-1 – Bit rates of short-reach FlexO-1-RS-n and FOIC1.1-RS**

<b>FOI type</b>	<b>FOI nominal bit rate (kbit/s)</b>	<b>FOI bit-rate tolerance (ppm)</b>
FlexO-1-RS-n	$n \times 256/241 \times 239/226 \times 99\,532\,800$	$\pm 20$
FOIC1.1-RS	$1 \times 256/241 \times 239/226 \times 99\,532\,800$	$\pm 20$
FOIC1.1-RS lane	$256/241 \times 239/226 \times 99\,532\,800$	$\pm 20$
NOTE – The nominal FOIC1.1-RS lane bit rate is approximately: 111 809 474.446 kbit/s.		

## Bibliography

- [b-ITU-T G.652] Recommendation ITU-T G.652 (2016), *Characteristics of a single-mode optical fibre and cable*.
- [b-ITU-T G.698.2] Recommendation ITU-T G.698.2 (2018), *Amplified multichannel dense wavelength division multiplexing applications with single channel optical interfaces*.
- [b-IEEE 802.3] IEEE 802.3-2022, *IEEE Standard for Ethernet*.
- [b-OIF CEI] Implementation Agreement OIF-CEI-05.1 (2022), *Common electrical I/O (CEI) – Electrical and jitter interoperability agreements for 6G+ bps, 11G+ bps, 25G+ bps, 56G+ bps and 112G+ bps I/O*. 636 pp. Fremont, CA: Optical Internetworking Forum. Available [viewed 2023-02-10] at: [www.oiforum.com/wp-content/uploads/OIF-CEI-5.1.pdf](http://www.oiforum.com/wp-content/uploads/OIF-CEI-5.1.pdf)







## SERIES OF ITU-T RECOMMENDATIONS

Series A	Organization of the work of ITU-T
Series D	Tariff and accounting principles and international telecommunication/ICT economic and policy issues
Series E	Overall network operation, telephone service, service operation and human factors
Series F	Non-telephone telecommunication services
<b>Series G</b>	<b>Transmission systems and media, digital systems and networks</b>
Series H	Audiovisual and multimedia systems
Series I	Integrated services digital network
Series J	Cable networks and transmission of television, sound programme and other multimedia signals
Series K	Protection against interference
Series L	Environment and ICTs, climate change, e-waste, energy efficiency; construction, installation and protection of cables and other elements of outside plant
Series M	Telecommunication management, including TMN and network maintenance
Series N	Maintenance: international sound programme and television transmission circuits
Series O	Specifications of measuring equipment
Series P	Telephone transmission quality, telephone installations, local line networks
Series Q	Switching and signalling, and associated measurements and tests
Series R	Telegraph transmission
Series S	Telegraph services terminal equipment
Series T	Terminals for telematic services
Series U	Telegraph switching
Series V	Data communication over the telephone network
Series X	Data networks, open system communications and security
Series Y	Global information infrastructure, Internet protocol aspects, next-generation networks, Internet of Things and smart cities
Series Z	Languages and general software aspects for telecommunication systems