



COVERING NOTE

GENERAL SECRETARIAT INTERNATIONAL TELECOMMUNICATION UNION

Subject: Erratum 2

Geneva, 22 April 2002

Recommendation ITU-T H.450.5 (05/1999)

TELECOMMUNICATION
STANDARDIZATION SECTOR
OF ITU

ITU-T Recommendation H.450.5 (05/1999)

Call park and call pickup supplementary services for H.323

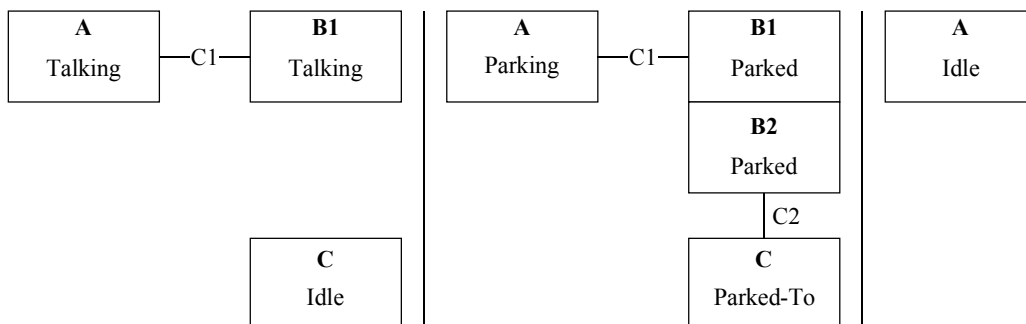
Replace clause 10.1 by the following:

10.1 Operational model and signal flows

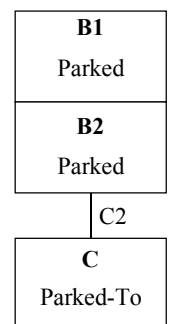
10.1.1 SS-PARK

See Figures 1 to 3.

BEFORE SERVICE

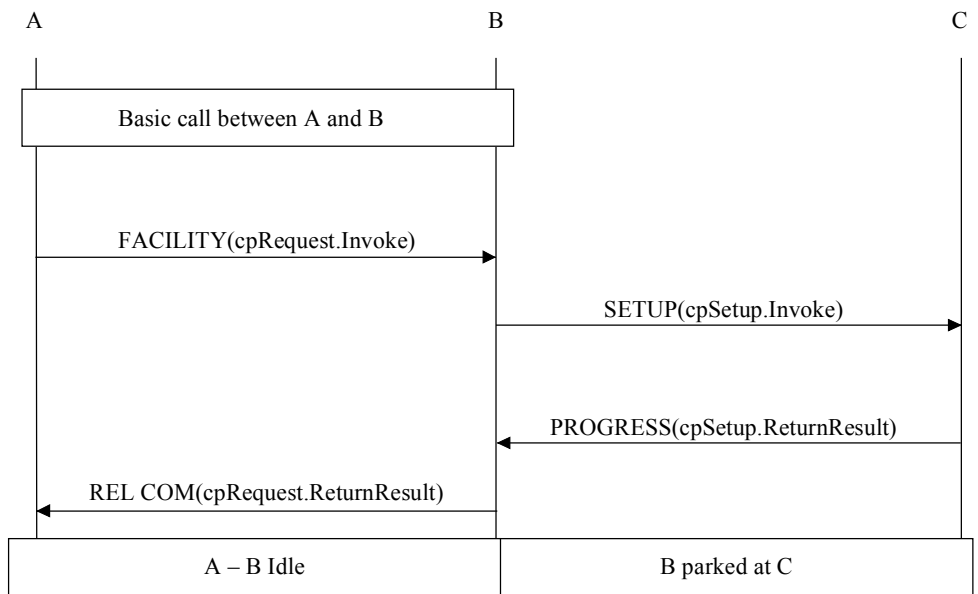


AFTER SERVICE



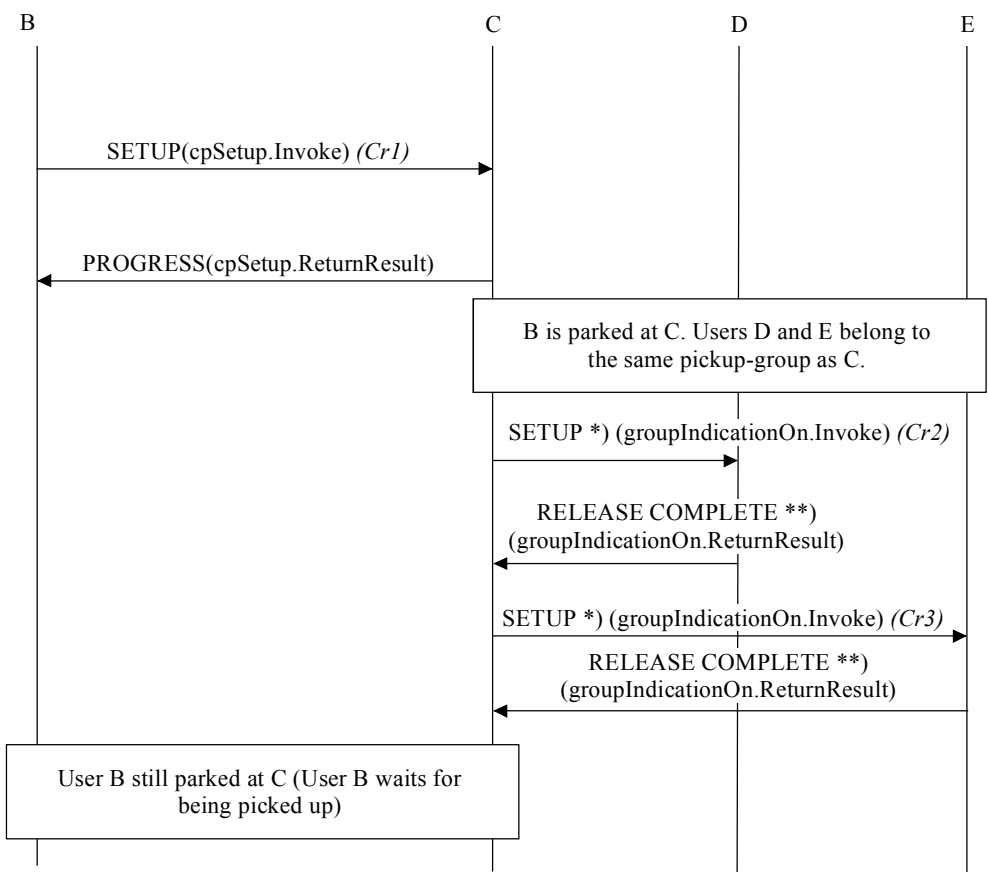
T1610210-02

Figure 1/H.450.5 – Operational model for SS-PARK



T1610220-02

Figure 2/H.450.5 – Signalling flow for SS-PARK



*) H.450.1 Call Independent Signalling.

***) Example message (may also be CONNECT or FACILITY).

T1610230-02

Figure 3/H.450.5 – Signalling flow for SS-PARK – Notification of group members

10.1.2 SS-PICKUP of a parked call, unpark

See Figure 4.

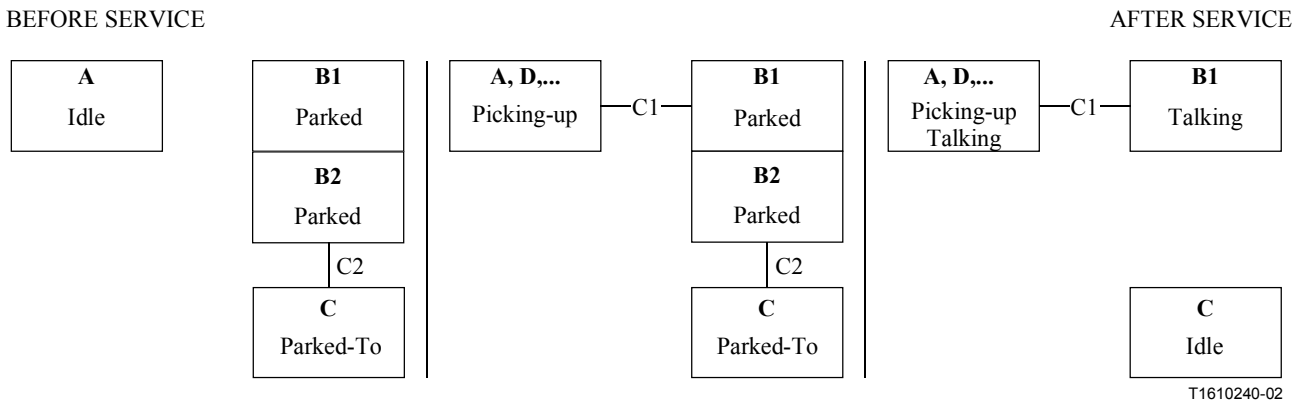


Figure 4/H.450.5 – Operational model for SS-PICKUP

a) Parked call unparked by Parked-to User C

See Figure 5.

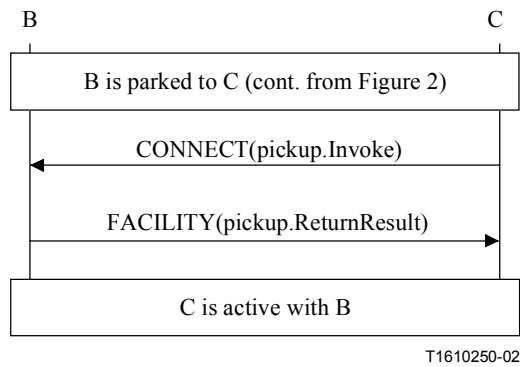
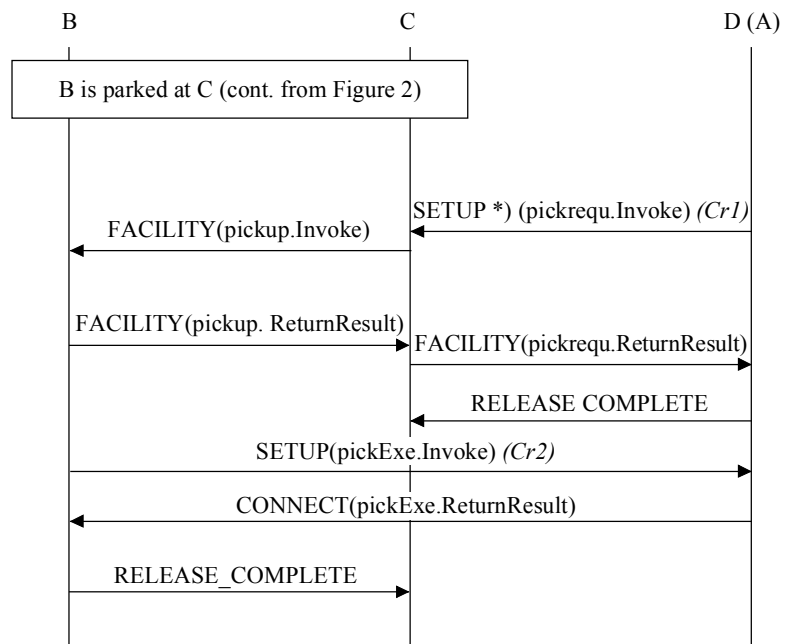


Figure 5/H.450.5 – Signalling flow for SS-PICKUP (Unpark by Parked-to User)

b) Parked call unparked by User D (may also be the Parking User A)

See Figure 6.



*) H.450.1 Call Independent Signalling.

T1610260-02

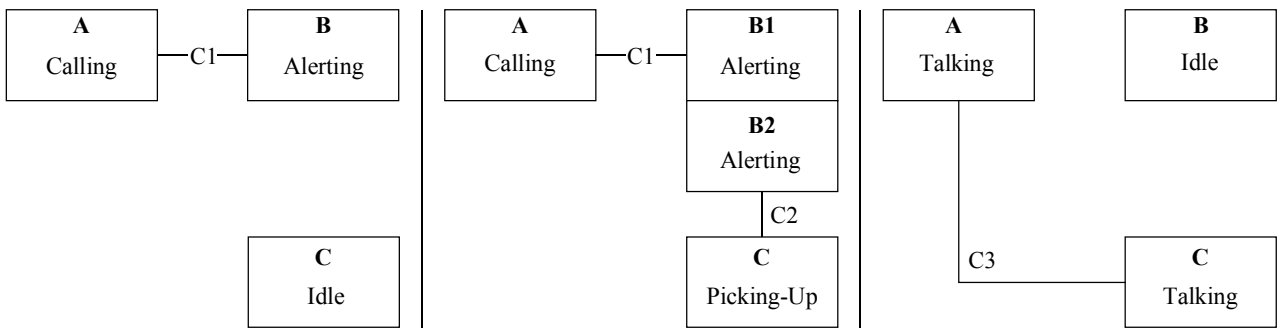
Figure 6/H.450.5 – Signalling flow for SS-PICKUP (Unpark by any user)

10.1.3 SS-PICKUP of an alerting call

See Figures 7 to 12.

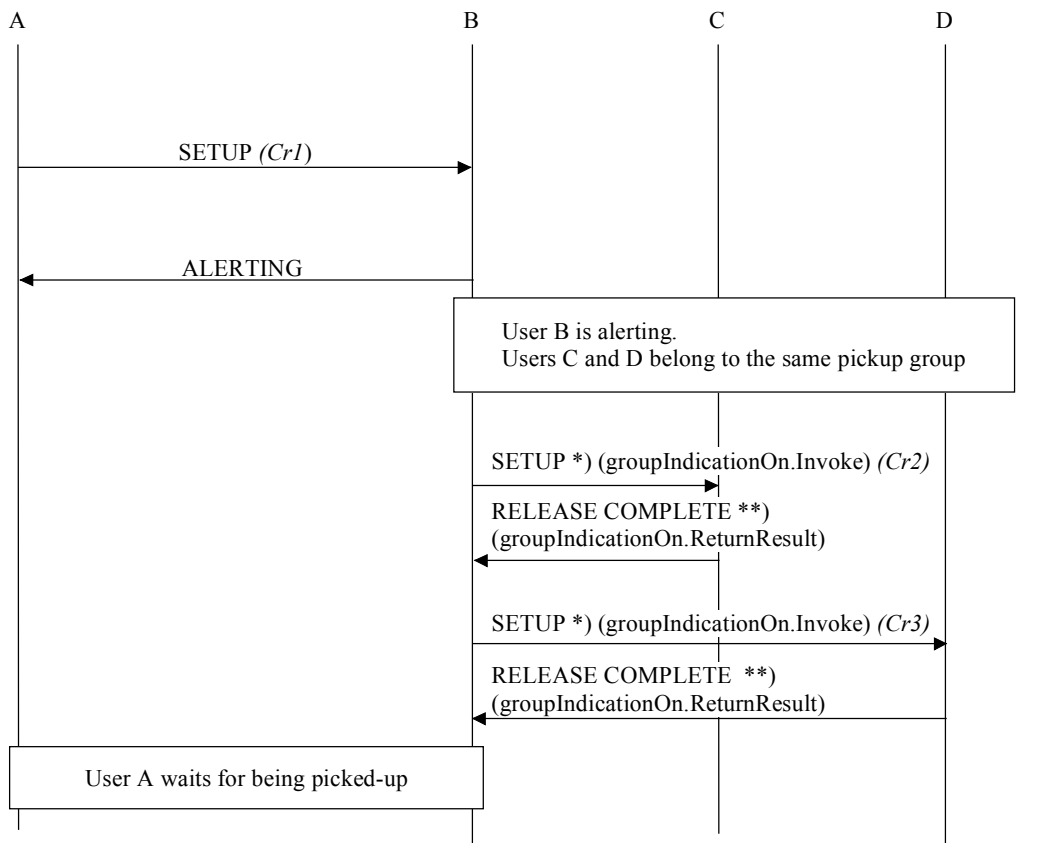
BEFORE SERVICE

AFTER SERVICE



T1610270-02

Figure 7/H.450.5 – Principle of SS-PICKUP



*) H.450.1 Call Independent Signalling.

***) Example message (may also be CONNECT or FACILITY).

T1610280-02

Figure 8/H.450.5 – Signalling flow for an Alerting call causing Notification of group members for SS-PICKUP

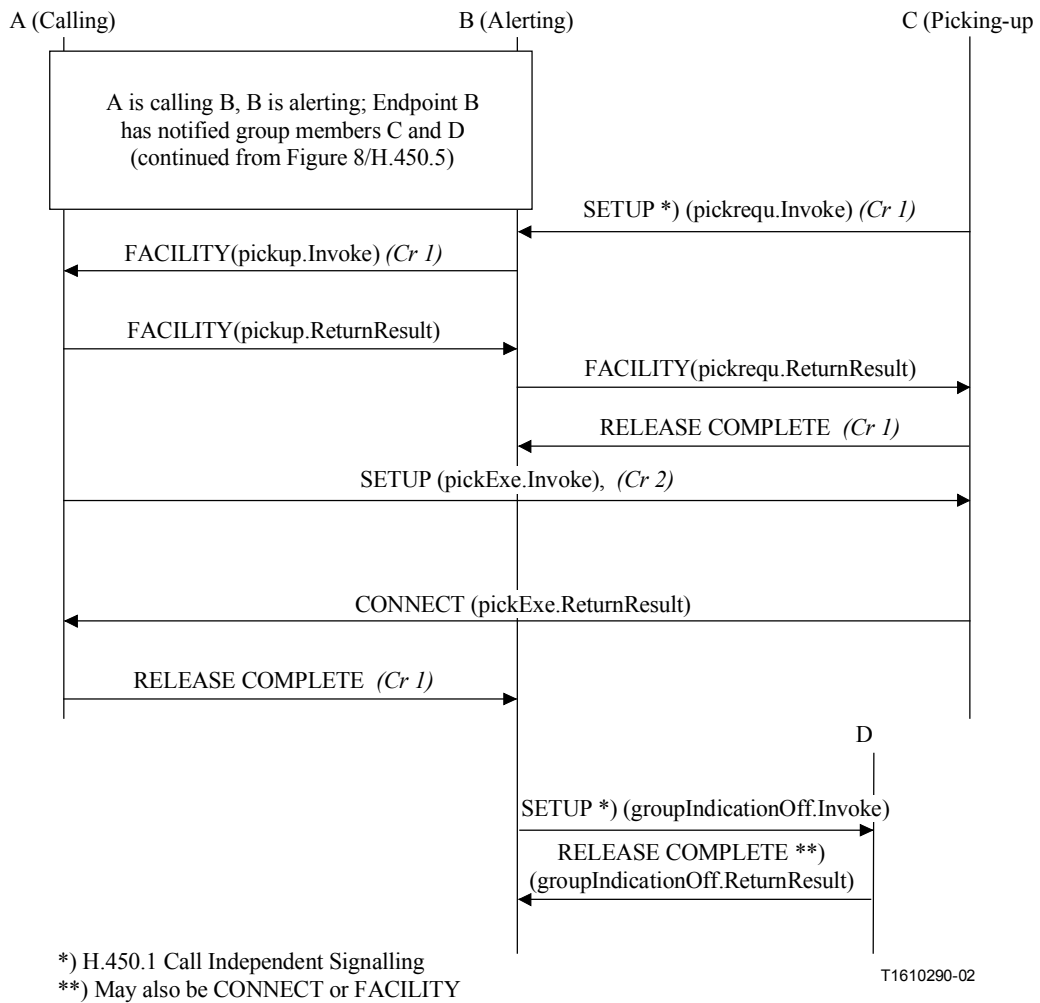
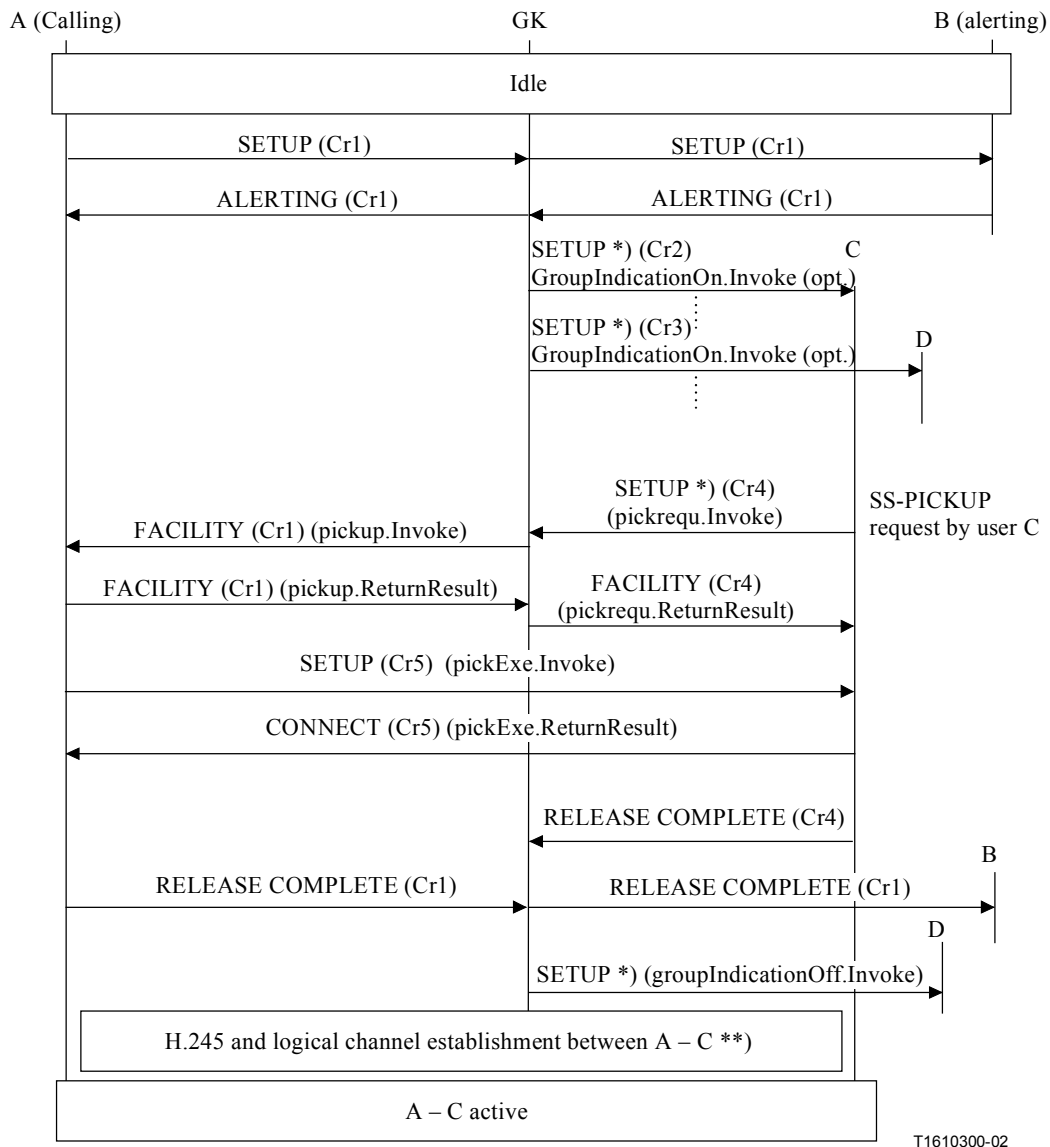


Figure 9/H.450.5 – Signalling flow for SS-PICKUP (alerting call)



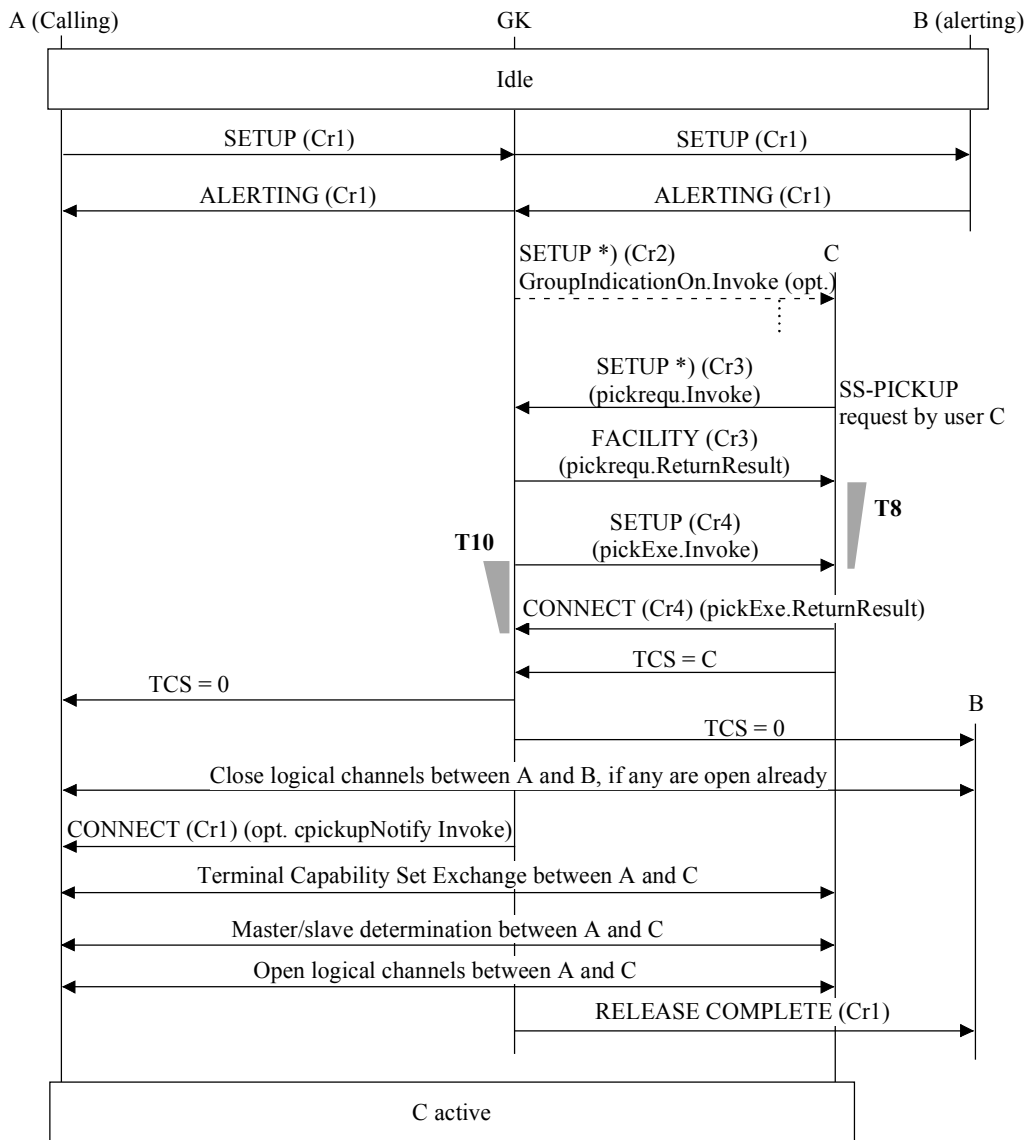
The **groupIndicationOn** Invoke APDU has been sent explicitly indicating the GK address as the retrieve address. This scenario may apply also to directed pickup without group notification, i.e. the picking-up user (C) recognizes the neighbour's terminal (B) is alerting and clicks a pickup button, which causes an SS-PICKUP invocation towards a predefined entity (GK).

Refer also to clause 9.2.1 for a description.

*) H.450.1 Call Independent Signalling

***) If not established earlier as part of the fastConnect option

Figure 10/H.450.5 – Signalling flow for SS-PICKUP (the alerting endpoint does not support SS-PICKUP; call picked-up at the gatekeeper)

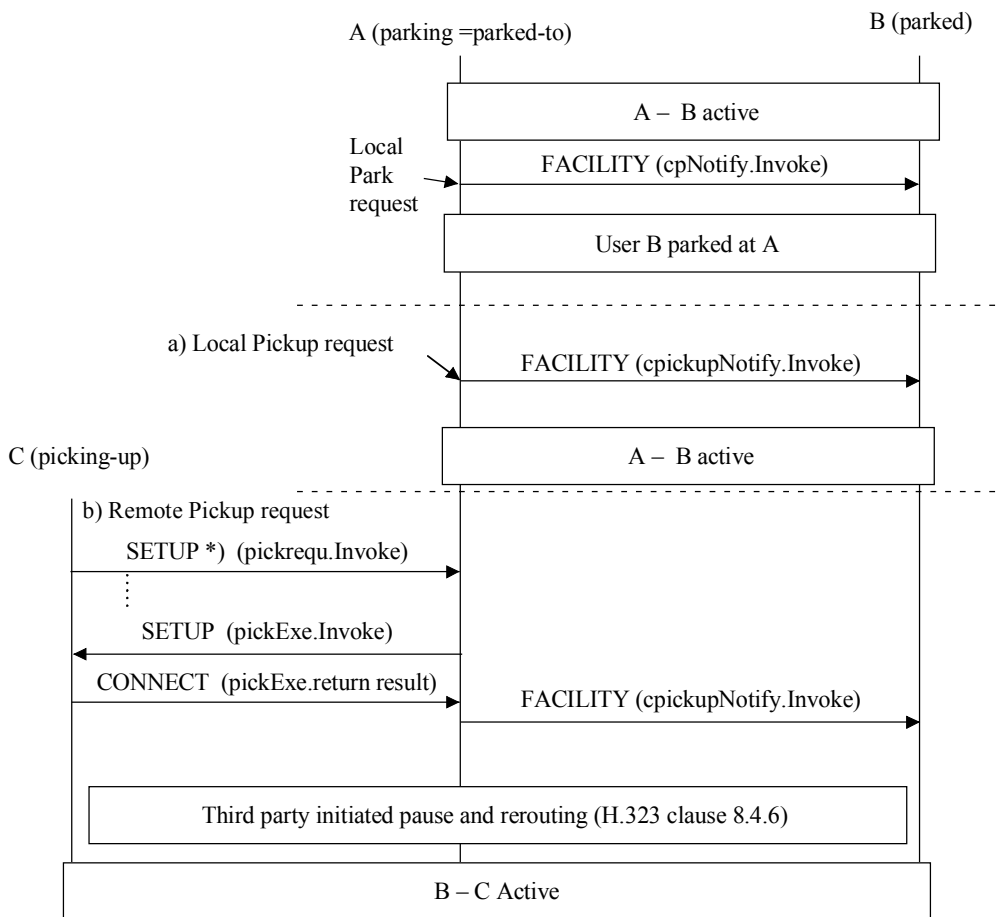


T1610310-02

Refer to clause 9.2.2 for a description of this scenario.

*) H.450.1 Call Independent Signalling.

Figure 11/H.450.5 – Signalling flow for SS-PICKUP (the calling and alerting endpoints do not support SS-PICKUP; call pickup at the gatekeeper)



T1610320-02

Refer also to clause 7.9 for a description of this scenario.

*) H.450.1 Call independent signalling

Figure 12/H.450.5 – Local SS-PARK and pickup from local park