

International Telecommunication Union

ITU-T

TELECOMMUNICATION
STANDARDIZATION SECTOR
OF ITU

K.20

(07/2019)

SERIES K: PROTECTION AGAINST INTERFERENCE

**Resistibility of telecommunication equipment
installed in a telecommunication centre to
overvoltages and overcurrents**

Recommendation ITU-T K.20

ITU-T



Recommendation ITU-T K.20

Resistibility of telecommunication equipment installed in a telecommunication centre to overvoltages and overcurrents

Summary

Recommendation ITU-T K.20 specifies resistibility requirements and test procedures for telecommunication equipment that is attached to or installed within a telecommunication centre.

Overvoltages and overcurrents covered by this Recommendation include surges due to lightning on or near the line plant, short-term induction from adjacent a.c. power lines or railway systems, earth potential rise due to power faults, direct contact between telecommunication lines and power lines, and electrostatic discharges (ESDs). The sources for overvoltages in internal lines, between equipment or racks, are mainly inductive coupling caused by lightning currents being conducted in nearby lightning strikes or lightning currents being conducted in nearby conductors.

Major changes compared with Recommendation ITU-T K.20 (2017) include:

- DC insulation resistance test;
- revised test exemption for internal short cables;
- renaming of some test titles for clarity;
- screened cable exemptions;
- addition of Test 7.10, a twisted pair port transverse/differential test, to Table 7.

History

Edition	Recommendation	Approval	Study Group	Unique ID*
1.0	ITU-T K.20	1984-10-19		11.1002/1000/6964
2.0	ITU-T K.20	1988-11-25		11.1002/1000/1387
3.0	ITU-T K.20	1991-03-18	V	11.1002/1000/1388
4.0	ITU-T K.20	1993-03-12	V	11.1002/1000/1389
5.0	ITU-T K.20	1996-10-18	5	11.1002/1000/3880
6.0	ITU-T K.20	2000-02-25	5	11.1002/1000/4904
7.0	ITU-T K.20	2003-07-29	5	11.1002/1000/6492
7.1	ITU-T K.20 (2003) Amd. 1	2004-11-12	5	11.1002/1000/7499
8.0	ITU-T K.20	2008-04-13	5	11.1002/1000/9400
9.0	ITU-T K.20	2011-11-13	5	11.1002/1000/11420
10.0	ITU-T K.20	2015-04-22	5	11.1002/1000/12403
11.0	ITU-T K.20	2016-06-29	5	11.1002/1000/12867
12.0	ITU-T K.20	2016-12-14	5	11.1002/1000/13126
13.0	ITU-T K.20	2017-07-29	5	11.1002/1000/13272
14.0	ITU-T K.20	2018-10-22	5	11.1002/1000/13629
15.0	ITU-T K.20	2019-07-14	5	11.1002/1000/13950

Keywords

1.2/50-8/20, 10/700, Ethernet, external ports, internal port, overvoltage, overcurrent, power contact, power induction, power over Ethernet (PoE), resistibility, subscriber line integrated circuit (SLIC), surges, telecommunication equipment, telecommunication centres, transverse, universal serial bus (USB).

* To access the Recommendation, type the URL <http://handle.itu.int/> in the address field of your web browser, followed by the Recommendation's unique ID. For example, <http://handle.itu.int/11.1002/1000/11830-en>.

FOREWORD

The International Telecommunication Union (ITU) is the United Nations specialized agency in the field of telecommunications, information and communication technologies (ICTs). The ITU Telecommunication Standardization Sector (ITU-T) is a permanent organ of ITU. ITU-T is responsible for studying technical, operating and tariff questions and issuing Recommendations on them with a view to standardizing telecommunications on a worldwide basis.

The World Telecommunication Standardization Assembly (WTSA), which meets every four years, establishes the topics for study by the ITU-T study groups which, in turn, produce Recommendations on these topics.

The approval of ITU-T Recommendations is covered by the procedure laid down in WTSA Resolution 1.

In some areas of information technology which fall within ITU-T's purview, the necessary standards are prepared on a collaborative basis with ISO and IEC.

NOTE

In this Recommendation, the expression "Administration" is used for conciseness to indicate both a telecommunication administration and a recognized operating agency.

Compliance with this Recommendation is voluntary. However, the Recommendation may contain certain mandatory provisions (to ensure, e.g., interoperability or applicability) and compliance with the Recommendation is achieved when all of these mandatory provisions are met. The words "shall" or some other obligatory language such as "must" and the negative equivalents are used to express requirements. The use of such words does not suggest that compliance with the Recommendation is required of any party.

INTELLECTUAL PROPERTY RIGHTS

ITU draws attention to the possibility that the practice or implementation of this Recommendation may involve the use of a claimed Intellectual Property Right. ITU takes no position concerning the evidence, validity or applicability of claimed Intellectual Property Rights, whether asserted by ITU members or others outside of the Recommendation development process.

As of the date of approval of this Recommendation, ITU had not received notice of intellectual property, protected by patents, which may be required to implement this Recommendation. However, implementers are cautioned that this may not represent the latest information and are therefore strongly urged to consult the TSB patent database at <http://www.itu.int/ITU-T/ipr/>.

© ITU 2019

All rights reserved. No part of this publication may be reproduced, by any means whatsoever, without the prior written permission of ITU.

Table of Contents

	Page
1 Scope.....	1
2 References.....	1
3 Definitions	1
3.1 Terms defined elsewhere	1
3.2 Terms defined in this Recommendation.....	2
4 Abbreviations and acronyms	2
5 Conventions	2
6 Tests.....	2
Appendix I – Floating transverse power induction and earth potential rise test for ports connected to external symmetric pair cables	28
I.1 Introduction	28
I.2 Discussion of the reason for the damage.....	28
I.3 Test set-up and test voltages.....	29
Bibliography.....	30

Recommendation ITU-T K.20

Resistibility of telecommunication equipment installed in a telecommunication centre to overvoltages and overcurrents

1 Scope

This Recommendation specifies resistibility requirements and test procedures for equipment installed in a telecommunication centre where the earthing, bonding and cabling between equipment or racks is in accordance with [ITU-T K.27]. This Recommendation applies to both external and internal ports. [ITU-T K.44] is an integral part of this Recommendation and should be read in conjunction with [ITU-T K.11], [ITU-T K.39] and [ITU-T K.46].

This Recommendation applies to all telecommunication equipment, whether network operator or customer owned, including telephony, routers and modems. It does not apply to equipment such as personal computers or printers.

2 References

The following ITU-T Recommendations and other references contain provisions which, through reference in this text, constitute provisions of this Recommendation. At the time of publication, the editions indicated were valid. All Recommendations and other references are subject to revision; users of this Recommendation are therefore encouraged to investigate the possibility of applying the most recent edition of the Recommendations and other references listed below. A list of the currently valid ITU-T Recommendations is regularly published. The reference to a document within this Recommendation does not give it, as a stand-alone document, the status of a Recommendation.

- [ITU-T K.11] Recommendation ITU-T K.11 (2009), *Principles of protection against overvoltages and overcurrents*.
- [ITU-T K.27] Recommendation ITU-T K.27 (2015), *Bonding configurations and earthing inside a telecommunication building*.
- [ITU-T K.39] Recommendation ITU-T K.39 (1996), *Risk assessment of damages to telecommunication sites due to lightning discharges*.
- [ITU-T K.44] Recommendation ITU-T K.44 (2018), *Resistibility tests for telecommunication equipment exposed to overvoltages and overcurrents – Basic Recommendation*.
- [ITU-T K.46] Recommendation ITU-T K.46 (2012), *Protection of telecommunication lines using metallic symmetric conductors against lightning-induced surges*.
- [IEC 61000-4-2] IEC 61000-4-2:2008, *Electromagnetic compatibility (EMC) – Part 4-2: Testing and measurement techniques – Electrostatic discharge immunity test*.

3 Definitions

3.1 Terms defined elsewhere

This Recommendation uses the following terms defined elsewhere:

3.1.1 dedicated power feed (dpf) [ITU-T K.44].

3.1.2 IT power distribution system [ITU-T K.44].

3.1.3 TT power distribution system [ITU-T K.44].

3.2 Terms defined in this Recommendation

None.

4 Abbreviations and acronyms

This Recommendation uses the following abbreviations and acronyms:

CWG	Combination Wave Generator
ESD	Electrostatic Discharge
PoE	Power over Ethernet
SLIC	Subscriber Line Integrated Circuit
SPD	Surge Protective Device
STP	Special Test Protector
STP _E	Shielded Twisted Pair Ethernet
USB	Universal Serial Bus
UTP _E	Unshielded Twisted Pair Ethernet

Other definitions, abbreviations, conventions and symbols used in this Recommendation are defined in [ITU-T K.44].

5 Conventions

None.

6 Tests

A summary of the tests applicable to the equipment installed in a telecommunication centre is given in Table 1. The numbers given in the "Port type" columns, e.g., 2.2.1a, refer to the "Test no." of Tables 2 to 5. The words "under study" mean that ITU-T is still studying this test. The test conditions applicable to the four ports: symmetric, coaxial, dedicated power feed and mains power are given in Tables 2 to 5. The test conditions for electrostatic discharge (ESD) are given in Table 6. The test conditions for internal cable ports are given in Table 7. For information on the headings and terms used in the tables, refer to clause 10 of [ITU-T K.44].

Refer to clause 5.2 of [ITU-T K.44] on selecting the enhanced resistibility requirement.

NOTE 1 – For small telecommunication centres, the resistance of the earth electrode may be significantly high. When the "enhanced" requirement is specified, and the centre has 250 symmetric pairs or fewer, apply the port to the external port test from [b-ITU-T K.45], but retain the inherent test voltages from this Recommendation.

NOTE 2 – The external port test applies to ports used to connect externally-attached equipment to equipment installed within the same building. The mains power contact test does not apply in this situation. Where the equipment external to the building is installed in the "inherently protected" area shown in Figure 3 of [b-ITU-T K.71] the internal port test can be applied.

NOTE 3 – The power induction test does not apply to ports used to connect to antennas installed within the scope of [b-ITU-T K.71].

NOTE 4 – Tests of Table 1b and Table 7 do not apply to equipment ports meeting all of the following requirements:

- 1) The distance between two racks/cabinets is not more than 6 m.
- 2) The length of interconnection cable does not exceed 10 m.
- 3) The equipment has a dedicated grounding point and share the same earth/ground. Measures to reduce the potential difference between equipment shall be taken.

- 4) The equipment will have the same power distribution source.
- 5) Interconnected equipment shall use shielded cable bonded at both ends.
If the port meets the intra-system port criteria all of 1-5 listed above, no testing is required on the port. However, other port types used on the equipment shall be tested as per ITU-T K.20.

Table 7 does not apply to ports connected infrequently such as maintenance ports.

NOTE 5 – Test 7.7 of Table 1b and Table 7 does not apply to shielded cable equipment ports meeting all of the following requirements:

- 1) The monitored impulse voltage of the Ethernet longitudinal/common mode withstand test, 7.6, does not have any insulation breakdown or voltage limiter operation.
- 2) The unused pins of the port are not solidly earthed.
- 3) The installation environment prohibits the use of voltage limiters (surge protective devices (SPDs)) in the cabling.

Table 1a – Applicable tests for external ports

Test type	No. of pairs simultaneously tested	Test connection	Primary protection	Port type				
				Symmetric port	Coaxial port	Dedicated power feed port	Mains power port	
Lightning voltage	Single	Transverse/differential	No	2.1.1a	3.1.1	4.1.1a	5.1.1a	
		Port to earth	No	2.1.1b	n/a	4.1.1b	5.1.1b	
		Port to external port	No	n/a	n/a	4.1.1c	5.1.1c	
		Coordination/Transverse/differential	Yes	2.1.2a	3.1.2	4.1.2a	5.1.2a	
		Coordination/Port to earth	Yes	2.1.2b	n/a	4.1.2b	5.1.2b	
		Coordination/Port to external port	Yes	n/a	n/a	4.1.2c	5.1.2c	
	Multiple	Port to earth	No	2.1.3a	n/a	n/a	n/a	
		Port to external port	No	n/a	n/a	n/a	n/a	
		Port to earth	Yes	2.1.4a	n/a	n/a	n/a	
		Port to external port	Yes	n/a	n/a	n/a	n/a	
	Unshielded twisted pair (UTP _E) Ethernet	Port to earth	No	2.1.8	n/a	n/a	n/a	
		Transverse	No	2.1.7	n/a	n/a	n/a	
		Voltage impulse test	No	2.1.10		n/a	n/a	
		Power over Ethernet (PoE)	No	2.1.11		n/a	n/a	
	Shielded twisted pair (STP _E) Ethernet	Port to earth	No	2.1.8		n/a	n/a	
		Shield to earth	No	2.1.9		n/a	n/a	
	Lightning current	Single	Port to earth	No	2.1.5a	n/a	4.1.5a	n/a
			Port to external port	No	n/a	n/a	n/a	n/a
			Differential	n/a	n/a	3.1.3	n/a	n/a
Shield to earth			n/a	n/a	3.1.4	n/a	n/a	
Shield to external port			n/a	n/a	3.1.5	n/a	n/a	
Multiple		Port to earth	No	2.1.6a	n/a	n/a	n/a	
		Port to external port	No	n/a	n/a	n/a	n/a	
	Single	Transverse	No	2.2.1a	Under study	4.2.1a	n/a	

Table 1a – Applicable tests for external ports

Test type	No. of pairs simultaneously tested	Test connection	Primary protection	Port type			
				Symmetric port	Coaxial port	Dedicated power feed port	Mains power port
Power induction and earth potential rise		Port to earth	No	2.2.1b	n/a	4.2.1b	5.2.1 under study
		Port to external port	No	2.2.1c	n/a	4.2.1c	n/a
		Coordination transverse	Yes	2.2.2a	Under study	4.2.2a	n/a
		Coordination port to earth	Yes	2.2.2b	n/a	4.2.2b	n/a
		Coordination port to external port	Yes	2.2.2c	n/a	4.2.2c	n/a
Neutral potential rise	Single	Port to earth	No	n/a	n/a	n/a	5.2.2a
		Port to external port	No	n/a	n/a	n/a	5.2.2b
Mains power contact	Single	Transverse	No	2.3.1a	n/a	4.3.1a	n/a
		Port to earth	No	2.3.1b	n/a	4.3.1b	n/a
		Port to external port	No	2.3.1c	n/a	4.3.1c	n/a

**Table 1b – Lightning test conditions for ports connected to internal cables
(See clause 6, Note 4, for exemptions)**

No. of pairs simultaneously tested	Test connection	Primary protection	Unshielded cable	Shielded cable	PoE power feed	DC powered equipment	DC power source
Single	Shielded cable to earth	No		7.2			
	USB shielded cable to earth	No		7.3			
	Screen/ shield connection high current test	No		7.4			
	Ethernet transverse	No	7.7	7.7			
	Twisted pair port transverse/ differential	No	7.10	7.10			
	DC powered equipment port	No				7.8	
	DC power source port	No					7.9
Multiple	Unshielded cable with symmetric pairs	No	7.1				
	PoE Mode A and Mode B transverse testing	No			7.5		
	Ethernet longitudinal/ common mode withstand test	No	7.6				

Table 2a – Lightning test conditions for ports connected to external symmetric pair cables

Test no.	Test description	Test circuit and waveform (see figures in Annex A of [ITU-T K.44])	Basic test levels (also see clause 7 of [ITU-T K.44])	Enhanced test levels (also see clauses 5 and 7 of [ITU-T K.44])	Number of tests	Primary protection (clause 8 of [ITU-T K.44])	Acceptance criteria (clause 9 of [ITU-T K.44])	Comments
2.1.1a	Single pair, lightning, inherent, transverse	A.3-1 and A.6.1-1 (a and b) 10/700	$U_{c(max)} = 1.0 \text{ kV}$ $R = 25 \Omega$	$U_{c(max)} = 1.5 \text{ kV}$ $R = 25 \Omega$	Alternating ± 5 surges (60 s between successive surges)	None	A	This test does not apply when the equipment is designed to always be used with primary protection and the operator agrees. If this test does not apply, perform the appropriate test from Table 7. When the equipment contains high current-carrying components that eliminate the need for primary protection, this test does not apply. (Lower voltage level testing is also required for each test – see clause 7.3 of [ITU-T K.44].)
2.1.1b	Single pair, lightning, inherent, port to earth	A.3-1 and A.6.1-2 10/700	$U_{c(max)} = 1.0 \text{ kV}$ $R = 25 \Omega$	$U_{c(max)} = 1.5 \text{ kV}$ $R = 25 \Omega$				
2.1.1c	Single pair, lightning, inherent, port to external port	A.3-1 and A.6.1-3 10/700	n/a	n/a				
2.1.2a	Single pair, lightning, coordination, transverse	A.3-1 and A.6.1-1 (a and b) 10/700	$U_{c(max)} = 4 \text{ kV}$ $R = 25 \Omega$	$U_{c(max)} = 4 \text{ kV}$ $R = 25 \Omega$	Alternating ± 5 surges (60 s between successive surges)	Special test protector (STP); see clause 8.4 of [ITU-T K.44]. When performing the external port to external port test, also add an STP/primary protector to the untested port.	A When the test is performed with $U_c = U_{c(max)}$, the STP must operate. It may also operate with a voltage of $U_c < U_{c(max)}$.	When the equipment contains high current-carrying components that eliminate the need for primary protection, refer to clause 10.1.1 of [ITU-T K.44]. (Lower voltage level testing is also required for each test – see clause 7.3 of [ITU-T K.44].)
2.1.2b	Single pair, lightning, coordination, port to earth	A.3-1 and A.6.1-2 10/700	$U_{c(max)} = 4 \text{ kV}$ $R = 25 \Omega$	$U_{c(max)} = 4 \text{ kV}$ $R = 25 \Omega$				
2.1.2c	Single pair, lightning, coordination, port to external port	A.3-1 and A.6.1-3 10/700	n/a	n/a				

Table 2a – Lightning test conditions for ports connected to external symmetric pair cables

Test no.	Test description	Test circuit and waveform (see figures in Annex A of [ITU-T K.44])	Basic test levels (also see clause 7 of [ITU-T K.44])	Enhanced test levels (also see clauses 5 and 7 of [ITU-T K.44])	Number of tests	Primary protection (clause 8 of [ITU-T K.44])	Acceptance criteria (clause 9 of [ITU-T K.44])	Comments
2.1.3a	Multiple pair, lightning, inherent, port to earth	A.3-1 and A.6.1-4 10/700	$U_{c(max)} = 1.5 \text{ kV}$ $R = 25 \Omega$	$U_{c(max)} = 1.5 \text{ kV}$ $R = 25 \Omega$	Alternating ± 5 surges (60 s between successive surges)	None	A	The multiple pair test is simultaneously applied to 100% of the pairs in the same street cable, but limited to a maximum of eight pairs. This test does not apply when the equipment is designed to be always used with primary protection. When the equipment contains high current-carrying components that eliminate the need for primary protection, this test does not apply. (Lower voltage level testing is also required for each test – see clause 7.3 of [ITU-T K.44].)
2.1.3b	Multiple pair, lightning, inherent, port to external port	A.3-1 and A.6.1-5 10/700	n/a	n/a				
2.1.4a	Multiple pair, lightning, port to earth	A.3-1 and A.6.1-4 10/700	$U_{c(max)} = 4 \text{ kV}$ $R = 25 \Omega$	$U_{c(max)} = 6 \text{ kV}$ $R = 25 \Omega$	Alternating ± 5 surges (60 s between successive surges)	Agreed primary protector. When performing the external port to external port test, also add an STP/primary protector to the untested port.	A	The multiple pair test is simultaneously applied to 100% of the pairs in the same street cable, but limited to a maximum of eight pairs. When the equipment contains high current-carrying components that eliminate the need for primary protection, do not remove these components and do not add primary protection. (Lower voltage level testing is also required for each test – see clause 7.3 of [ITU-T K.44].)
2.1.4b	Multiple pair, lightning, port to external port	A.3-1 and A.6.1-5 10/700	n/a	n/a				

Table 2a – Lightning test conditions for ports connected to external symmetric pair cables

Test no.	Test description	Test circuit and waveform (see figures in Annex A of [ITU-T K.44])	Basic test levels (also see clause 7 of [ITU-T K.44])	Enhanced test levels (also see clauses 5 and 7 of [ITU-T K.44])	Number of tests	Primary protection (clause 8 of [ITU-T K.44])	Acceptance criteria (clause 9 of [ITU-T K.44])	Comments
2.1.5a	Single pair, lightning current, port to earth	A.3-4 and A.6.1-2 8/20	$I = 1 \text{ kA/wire}$ $R = 0 \Omega$	$I = 5 \text{ kA/wire}$ $R = 0 \Omega$	Alternating ± 5 surges (60 s between successive surges)	None	A	This test only applies when the equipment contains high current-carrying components that eliminate the need for primary protection. Do not remove these components. The multiple pair test is simultaneously applied to 100% of the pairs in the same street cable, but limited to a maximum of eight pairs.
2.1.5b	Single pair, lightning current, port to external port	A.3-4 and A.6.1-3 8/20	n/a	n/a				
2.1.6a	Multiple pair, lightning current, port to earth	A.3-4 and A.6.1-4 8/20	$I = 1 \text{ kA/wire}$ Limited to 6 kA total $R = 0 \Omega$	$I = 5 \text{ kA/wire}$ Limited to 30 kA total $R = 0 \Omega$	Alternating ± 5 surges (60 s between successive surges)	None	A	
2.1.6b	Multiple pair, lightning current, port to external port	A.3-4 and A.6.1-5 8/20	n/a	n/a				
2.1.7	Ethernet transverse	A.3-5 and A.6.7-5 1.2/50-8/20 combination wave generator (CWG)	$U_{c(\max)} = 600 \text{ V}$	$U_{c(\max)} = 1\,500 \text{ V}$	Alternating ± 5 surges (60 s between successive	None	A	

Table 2a – Lightning test conditions for ports connected to external symmetric pair cables

Test no.	Test description	Test circuit and waveform (see figures in Annex A of [ITU-T K.44])	Basic test levels (also see clause 7 of [ITU-T K.44])	Enhanced test levels (also see clauses 5 and 7 of [ITU-T K.44])	Number of tests	Primary protection (clause 8 of [ITU-T K.44])	Acceptance criteria (clause 9 of [ITU-T K.44])	Comments
		$R1 = 10 \Omega$ and $R2 = 10 \Omega$			ve surges)			
2.1.8	Ethernet longitudinal/common mode to transverse/differential mode conversion test	A.3-5 and A.6.7-4 1.2/50-8/20 CWG $R = 10 \Omega$	$U_{c(max)} = 2\,500 \text{ V}$	$U_{c(max)} = 6\,000 \text{ V}$	Alternating ± 5 surges (60 s between successive surges)	None	A	
2.1.9	Screen/shield connection high current test	A.3-5 and A.6.7-6 1.2/50-8/20 CWG $R = 5 \Omega$	$U_{c(max)} = 2\,500 \text{ V}$	$U_{c(max)} = 6\,000 \text{ V}$	Alternating ± 5 surges (60 s between successive surges)	None	A	
2.1.10	Ethernet longitudinal/common mode withstand test	A.3-5 and A.6.7-3a 1.2/50-8/20 CWG $R = 5 \Omega$	$U_{c(max)} = 2\,500 \text{ V}$ surge	$U_{c(max)} = 6\,000 \text{ V}$	Alternating ± 5 surges (60 s between successive surges)	None (Note)	A	There shall be no insulation breakdown during the test and the post-test resistance shall be at least $2 \text{ M}\Omega$ when measured at 500 V d.c., see Figure A.6.7-3. Monitor the impulse voltage to detect insulation breakdown or voltage protector operation.

Table 2a – Lightning test conditions for ports connected to external symmetric pair cables

Test no.	Test description	Test circuit and waveform (see figures in Annex A of [ITU-T K.44])	Basic test levels (also see clause 7 of [ITU-T K.44])	Enhanced test levels (also see clauses 5 and 7 of [ITU-T K.44])	Number of tests	Primary protection (clause 8 of [ITU-T K.44])	Acceptance criteria (clause 9 of [ITU-T K.44])	Comments
2.1.11	PoE Mode A and Mode B transverse testing	A.3-5 and A.6.7-2 1.2/50-8/20 CWG $R1 = 10 \Omega$ and $R2 = 10 \Omega$	$U_{c(max)} = 600 \text{ V}$	$U_{c(max)} = 1\,500 \text{ V}$	Alternating ± 5 surges (60 s between surges)	None	A	
NOTE – When the cabling is fitted with surge protective devices (SPDs), the equipment user and manufacturer may use different test conditions upon mutual agreement; this topic is currently under study.								

Table 2b – Power induction and earth potential rise test conditions for ports connected to external symmetric pair cables

Test no.	Test description	Test circuit (see figures in Annex A of [ITU-T K.44])	Basic test levels (also see clause 7 of [ITU-T K.44])	Enhanced test levels (also see clauses 5 and 7 of [ITU-T K.44])	Number of tests	Primary protection (clause 8 of [ITU-T K.44])	Acceptance criteria (clause 9 of [ITU-T K.44])	Comments
2.2.1a	Power induction, inherent, transverse	A.3-6 and A.6.1-1 (a and b)	$W_{sp(max)} = 0.2 \text{ A}^2\text{s}$ $f = 16 \frac{2}{3} \text{ Hz}, 50 \text{ Hz}$ or 60 Hz $U_{a.c.(max)} = 600 \text{ V}$ $R = 600 \Omega$ $t = 0.2 \text{ s}$	$W_{sp(max)} = 0.2 \text{ A}^2\text{s}$ $f = 16 \frac{2}{3} \text{ Hz}$ 50 Hz or 60 Hz $U_{a.c.(max)} = 600 \text{ V}$ $R = 600 \Omega$ $t = 0.2 \text{ s}$	5	None	A	This test does not apply when the equipment is designed to be always used with primary protection and the operator agrees.
2.2.1b	Power induction, inherent and earth potential rise, port to earth	A.3-6 and A.6.1-2						

Table 2b – Power induction and earth potential rise test conditions for ports connected to external symmetric pair cables

Test no.	Test description	Test circuit (see figures in Annex A of [ITU-T K.44])	Basic test levels (also see clause 7 of [ITU-T K.44])	Enhanced test levels (also see clauses 5 and 7 of [ITU-T K.44])	Number of tests	Primary protection (clause 8 of [ITU-T K.44])	Acceptance criteria (clause 9 of [ITU-T K.44])	Comments
2.2.1c	Power induction, inherent and earth potential rise, port to external port	A.3-6 and A.6.1-3	n/a	n/a				
2.2.2a	Power induction, inherent/ coordination, transverse	A.3-6 and A.6.1-1 (a and b)	$W_{sp(max)} = 1 \text{ A}^2\text{s } f = 16\frac{2}{3} \text{ Hz, } 50 \text{ Hz or } 60 \text{ Hz}$ $U_{a.c.(max)} = 600 \text{ V}$ $R = 600 \text{ } \Omega$ $t = 1.0 \text{ s}$ (Note 1)	$W_{sp(max)} = 10 \text{ A}^2\text{s } f = 16\frac{2}{3} \text{ Hz, } 50 \text{ Hz or } 60 \text{ Hz}$ $U_{a.c.(max)} = 1 \text{ } 500 \text{ V}$ $R = 200 \text{ } \Omega$ $t_{(max)} = 2 \text{ s}$ $t = \frac{W_{sp} \times R^2}{(U_{a.c.})^2} \text{ (6-1)}$ (Note 2)	5	STP; see clause 8.4 of [ITU-T K.44]. When performing the external port to external port test, also add an STP/primary protector to the untested port.	A	If the equipment port has inherent primary protection, which eliminates the need for external primary protection, refer to clause 10.1.3 of [ITU T K.44].
2.2.2b	Power induction and earth potential rise, inherent/ coordination, port to earth	A.3-6 and A.6.1-2						
2.2.2c	Power induction and earth potential rise, inherent/ coordination, port to external port	A.3-6 and A.6.1-3	n/a	n/a				
2.3.1a	Mains power contact, inherent, transverse	A.3-6 and A.6.1-1 (a and b)	$U_{a.c.} = 230 \text{ V}$ $f = 50 \text{ Hz}$ $t = 15 \text{ min for each test resistor}$	$U_{a.c.} = 230 \text{ V}$ $f = 50 \text{ Hz}$ $t = 15 \text{ min for each test resistor}$	1	None	For basic level: criterion B. For enhanced level: criterion	In some situations, the test may be performed with a reduced number of current limit resistors. Refer to

Table 2b – Power induction and earth potential rise test conditions for ports connected to external symmetric pair cables

Test no.	Test description	Test circuit (see figures in Annex A of [ITU-T K.44])	Basic test levels (also see clause 7 of [ITU-T K.44])	Enhanced test levels (also see clauses 5 and 7 of [ITU-T K.44])	Number of tests	Primary protection (clause 8 of [ITU-T K.44])	Acceptance criteria (clause 9 of [ITU-T K.44])	Comments
2.3.1b	Mains power contact, inherent, port to earth	A.3-6 and A.6.1-2	$R = 10, 20, 40, 80, 160, 300, 600$ and $1\ 000\ \Omega$ See acceptance criteria column.	$R = 10, 20, 40, 80, 160, 300, 600$ and $1\ 000\ \Omega$ See acceptance criteria column.			A for test resistors 160, 300, 600, and $1\ 000\ \Omega$; criterion B for the other resistor values.	item 11, clause 7.2 of [ITU-T K.44] and clause I.1.4 of [ITU-T K.44] for guidance on selecting the necessary size of resistors. When the equipment is designed to be always used with primary protection, and the operator agrees, perform this test with the STP installed. (Note 3)
2.3.1c	Mains power contact, inherent, port to external port	A.3-6 and A.6.1-3	n/a	n/a				If the equipment port has inherent primary protection, which eliminates the need for external primary protection, refer to clause 10.1.4 of [ITU T K.44].
2.4	Ethernet port DC insulation resistance	A.6.7-3	$U_{DC} = \pm 500\ \text{V DC}$	$U_{DC} = \pm 500\ \text{V DC}$	2	None	Insulation resistance $> 2\ \text{M}\Omega$	Test in both polarities, Ensures no port to earth conduction up to 350 V AC

NOTE 1 – The test conditions for Test 2.2.2 (basic test level) may be adapted to the local conditions by variation of the test parameters within the following limits, so that $I^2t = 1\ \text{A}^2\text{s}$ is fulfilled:

$U_{a.c.(\text{max})} = 300\ \text{V} \dots\dots 600\ \text{V}$, selected to meet local conditions;

$t \leq 1.0\ \text{s}$, selected to meet local conditions;

$R \leq 600\ \Omega$, is to be calculated according to Equation 6-2:

$$R = U_{a.c.(\text{max})} \sqrt{t} \tag{6-2}$$

NOTE 2 – For Test 2.2.2 (enhanced test level), the equipment shall comply with the specified criterion for all voltage–time combinations bounded (on and below) by the $10\ \text{A}^2\text{s}$ voltage–time curve in Figure 1. The curve in Figure 1 is defined by Equation 6-1 and the boundary conditions in this table.

NOTE 3 – The a.c. mains voltage and frequency for Test 2.3.1 may be changed to the local mains supply voltage and frequency values. For a.c. test voltage values other than 230 V, the test resistor values should be adjusted to provide the same prospective short-circuit current values that occur in the 230 V test condition.

Table 3a – Lightning test conditions for ports connected to external coaxial cables

Test no.	Test description	Test circuit and waveform (see figures in Annex A of [ITU-T K.44])	Basic test levels (also see clause 7 of [ITU-T K.44])	Enhanced test levels (also see clauses 5 and 7 of [ITU-T K.44])	Number of tests	Primary protection (clause 8 of [ITU-T K.44])	Acceptance criteria (clause 9 of [ITU-T K.44])	Comments
3.1.1	Lightning, inherent, differential	A.3-5 and A.6.2-1 1.2/50 – 8/20 CWG	$U_{c(max)} = 1.0 \text{ kV}$ $R = 0 \Omega$	$U_{c(max)} = 1.5 \text{ kV}$ $R = 0 \Omega$	Alternating ± 5 surges (60 s between successive surges)	None	A	This test does not apply when the equipment is designed to be always used with primary protection. (Lower voltage level testing is also required – see clause 7.3 of [ITU-T K.44].)
3.1.2	Lightning, coordination, differential	A.3.5 and A.6.2-1 1.2/50 – 8/20 CWG	$U_{c(max)} = 4 \text{ kV}$ $R = 0 \Omega$	$U_{c(max)} = 6 \text{ kV}$ $R = 0 \Omega$	Alternating ± 5 surges (60 s between successive surges)	STP; see clause 8.4 of [ITU-T K.44]. When performing the external port to external port test, also add an STP/primary protector to the untested port.	A When the test is performed with $U_c = U_{c(max)}$, the STP must operate. It may also operate with a voltage of $U_c < U_{c(max)}$.	When the equipment contains high current-carrying components that eliminate the need for primary protection, refer to clause 10.2 of [ITU-T K.44]. (Lower voltage level testing is also required – see clause 7.3 of [ITU-T K.44].)
3.1.3	Lightning current, differential	A.3.4 and A.6.2-1 8/20	$I = 1 \text{ kA}$	$I = 5 \text{ kA}$	Alternating ± 5 surges (60 s between successive surges)	None	A	This test only applies when the equipment contains high current-carrying components that eliminate the need for primary protection. Do not remove these components.

Table 3a – Lightning test conditions for ports connected to external coaxial cables

Test no.	Test description	Test circuit and waveform (see figures in Annex A of [ITU-T K.44])	Basic test levels (also see clause 7 of [ITU-T K.44])	Enhanced test levels (also see clauses 5 and 7 of [ITU-T K.44])	Number of tests	Primary protection (clause 8 of [ITU-T K.44])	Acceptance criteria (clause 9 of [ITU-T K.44])	Comments
3.1.4	Lightning shield test, port to earth	A.3.4 and A.6.2-2 8/20	$I = 4$ kA (Note 1) $I = 2$ kA (Note 2)	$I = 20$ kA (Note 1) $I = 5$ kA (Note 2)	Alternating ± 5 surges (60 s between successive surges)	STP; see clause 8.4 of [ITU-T K.44]. When performing the external port to external port test, also add an STP/primary protector to the untested port.	A	Only applies to earthed equipment and equipment without isolation capacitors in the coaxial cable path.
3.1.5	Lightning shield test, port to external port	A.3.4 and A.6.2-3 8/20	n/a	n/a				
<p>NOTE 1 – Equipment designed to be connected to antennas/equipment exposed to direct lightning currents, e.g., connected to antennas/equipment mounted on a tower.</p> <p>NOTE 2 – Applicable equipment not covered by Note 1.</p>								

Table 3b – Power induction and earth potential rise test conditions for ports connected to external coaxial cables

NOTE – The test conditions for earth potential rise are under study.

Table 4a – Lightning test conditions for ports connected to external d.c. or a.c. dedicated power feeding cables

Test no.	Test description	Test circuit and waveform (see figures in Annex A of [ITU-T K.44])	Basic test levels (also see clause 7 of [ITU-T K.44])	Enhanced test levels (also see clauses 5 and 7 of [ITU-T K.44])	Number of tests	Primary protection (clause 8 of [ITU-T K.44])	Acceptance criteria (clause 9 of [ITU-T K.44])	Comments
4.1.1a	Single pair, lightning, inherent, transverse	A.3-1 and A.6.3-1 (a and b) 10/700	$U_{c(max)} = 1.0 \text{ kV}$ $R = 25 \Omega$	$U_{c(max)} = 1.5 \text{ kV}$ $R = 25 \Omega$	Alternating ± 5 surges (60 s between successive surges)	None	A	This test does not apply when the equipment is designed to be always used with primary protection and the operator agrees. If this test is not performed, the appropriate test from Table 7 applies. When the equipment contains high current-carrying components that eliminate the need for primary protection, this test does not apply.
4.1.1b	Single pair, lightning, inherent, port to earth	A.3-1 and A.6.3-2 10/700	$U_{c(max)} = 1.0 \text{ kV}$ $R = 25 \Omega$	$U_{c(max)} = 1.5 \text{ kV}$ $R = 25 \Omega$				
4.1.1c	Single pair, lightning, inherent, port to external port	A.3-1 and A.6.3-3 10/700	n/a	n/a				
4.1.2a	Single pair, lightning, coordination, transverse	A.3-1 and A.6.3-1 (a and b) 10/700	$U_{c(max)} = 4 \text{ kV}$ $R = 25 \Omega$	$U_{c(max)} = 4 \text{ kV}$ $R = 25 \Omega$	Alternating ± 5 surges (60 s between successive surges)	STP; see clause 8 of [ITU-T K.44]. When performing the external port to external port test, also add an STP/primary protector to the untested port.	A When the test is performed with $U_c = U_{c(max)}$, the STP must operate. It may also operate with a voltage of $U_c < U_{c(max)}$.	When the equipment contains high current-carrying components that eliminate the need for primary protection, do not remove these components and do not add primary protection. During the test, this protection must operate at $U_c = U_{c(max)}$. If the primary protector is a clamping type device, use the test circuit and test levels specified in Test 4.1.5.
4.1.2b	Single pair, lightning, coordination, port to earth	A.3-1 and A.6.3-2 10/700	$U_{c(max)} = 4 \text{ kV}$ $R = 25 \Omega$	$U_{c(max)} = 4 \text{ kV}$ $R = 25 \Omega$				
4.1.2c	Single pair, lightning, coordination, port to external port	A.3-1 and A.6.3-3 10/700	n/a	n/a				

Table 4a – Lightning test conditions for ports connected to external d.c. or a.c. dedicated power feeding cables

Test no.	Test description	Test circuit and waveform (see figures in Annex A of [ITU-T K.44])	Basic test levels (also see clause 7 of [ITU-T K.44])	Enhanced test levels (also see clauses 5 and 7 of [ITU-T K.44])	Number of tests	Primary protection (clause 8 of [ITU-T K.44])	Acceptance criteria (clause 9 of [ITU-T K.44])	Comments
4.1.3	Multiple pair, lightning, inherent, port to earth and port to external port		n/a	n/a				
4.1.4	Multiple pair, lightning, port to earth and port to external port		n/a	n/a				
4.1.5a	Single pair, lightning current, port to earth	A.3-4 and A.6.3-2 8/20	$I = 1 \text{ kA/wire}$ $R = 0 \Omega$	$I = 5 \text{ kA/wire}$ $R = 0 \Omega$	Alternating ± 5 surges (60 s between successive surges)	None	A	This test only applies when the equipment contains high current-carrying components that eliminate the need for primary protection. Do not remove these components.
4.1.5b	Single pair, lightning current, port to external port	A.3-4 and A.6.3-3 8/20	n/a	n/a				
4.1.6	Multiple pair, lightning current		n/a	n/a				

NOTE – As there is little knowledge of the agreed primary protector, it is not possible to give guidance. In the interim, test conditions for symmetric pair ports have been provided.

Table 4b – Power induction and earth potential rise test conditions for ports connected to external d.c. or a.c. dedicated power feeding cables

Test no.	Test description	Test circuit (see figures in Annex A of [ITU-T K.44])	Basic test levels (also see clause 7 of [ITU-T K.44])	Enhanced test levels (also see clauses 5 and 7 of [ITU-T K.44])	Number of tests	Primary protection (clause 8 of [ITU-T K.44])	Acceptance criteria (clause 9 of [ITU-T K.44])	Comments
4.2.1.a	Power induction, inherent, transverse	A.3-6 and A.6.3-1 (a and b)	$W_{sp(max)} = 0.2 \text{ A}^2\text{s}$ $f = 16\frac{2}{3} \text{ Hz}, 50 \text{ Hz}$ or 60 Hz $U_{a.c.(max)} = 600 \text{ V}$ $R = 600 \Omega$ $t = 0.2 \text{ s}$	$W_{sp(max)} = 0.2 \text{ A}^2\text{s}$ $f = 16\frac{2}{3} \text{ Hz}, 50 \text{ Hz}$ or 60 Hz $U_{a.c.(max)} = 600 \text{ V}$ $R = 600 \Omega$ $t = 0.2 \text{ s}$	5	None	A	This test does not apply when the equipment is designed to be always used with primary protection and the operator agrees. When the equipment contains high current-carrying components that eliminate the need for primary protection, this test does not apply.
4.2.1b	Power induction and earth potential rise, inherent, port to earth	A.3-6 and A.6.3-2						
4.2.1c	Power induction and earth potential rise, inherent, port to external port	A.3-6 and A.6.3-3	n/a	n/a				

Table 4b – Power induction and earth potential rise test conditions for ports connected to external d.c. or a.c. dedicated power feeding cables

Test no.	Test description	Test circuit (see figures in Annex A of [ITU-T K.44])	Basic test levels (also see clause 7 of [ITU-T K.44])	Enhanced test levels (also see clauses 5 and 7 of [ITU-T K.44])	Number of tests	Primary protection (clause 8 of [ITU-T K.44])	Acceptance criteria (clause 9 of [ITU-T K.44])	Comments
4.2.2a	Power induction, inherent/coordination, transverse	A.3-6 and A.6.3-1 (a and b)	$W_{sp(max)} = 1 \text{ A}^2\text{s}$ $f = 16\frac{2}{3} \text{ Hz, } 50 \text{ Hz}$ or 60 Hz $U_{a.c.(max)} = 600 \text{ V}$ $R = 600 \Omega$ $t = 1.0 \text{ s}$ (Note 1)	$W_{sp(max)} = 10 \text{ A}^2\text{s}$ $f = 16\frac{2}{3} \text{ Hz, } 50 \text{ Hz}$ or 60 Hz $U_{a.c.(max)} = 1\,500 \text{ V}$ $R = 200 \Omega$ $t_{(max)} = 2 \text{ s}$ $t = \frac{W_{sp} \times R^2}{(U_{a.c.})^2} \text{ (6-1)}$ (Note 2)	5	STP; see clause 8.4 of [ITU-T K.44]. When performing the external port to external port test, also add an STP/primary protector to the untested port.	A	When the equipment contains high current-carrying components that eliminate the need for primary protection, do not remove these components and do not add primary protection.
4.2.2b	Power induction and earth potential rise, inherent/coordination, port to earth	A.3-6 and A.6.3-2						
4.2.2c	Power induction and earth potential rise, inherent/coordination, port to external port	A.3-6 and A.6.3-2	n/a	n/a				

Table 4b – Power induction and earth potential rise test conditions for ports connected to external d.c. or a.c. dedicated power feeding cables

Test no.	Test description	Test circuit (see figures in Annex A of [ITU-T K.44])	Basic test levels (also see clause 7 of [ITU-T K.44])	Enhanced test levels (also see clauses 5 and 7 of [ITU-T K.44])	Number of tests	Primary protection (clause 8 of [ITU-T K.44])	Acceptance criteria (clause 9 of [ITU-T K.44])	Comments
4.3.1a	Mains power contact, inherent, transverse	A.3-6 and A.6.3-1 (a and b)	$U_{a.c.} = 230 \text{ V}$ $f = 50 \text{ Hz}$ $t = 15 \text{ min}$ for each test resistor $R = 10, 20, 40, 80, 160, 300, 600$ and $1\ 000 \ \Omega$ See acceptance criteria column.	$U_{a.c.} = 230 \text{ V}$ $f = 50 \text{ Hz}$ $t = 15 \text{ min}$ for each test resistor $R = 10, 20, 40, 80, 160, 300, 600$ and $1\ 000 \ \Omega$ See acceptance criteria column.	1	None	For basic level: criterion B. For enhanced level: criterion A for test resistors 160, 300, 600 and 1 000 Ω ; criterion B for the other resistor values.	In some situations, the test may be performed with a reduced number of current limit resistors. Refer to item 11, clauses 7.2 and I.1.4 of [ITU-T K.44] for guidance on selecting the necessary size of resistors. When the equipment is designed to be always used with primary protection, and the operator agrees, perform this test with the STP installed.
4.3.1b	Mains power contact, inherent, port to earth	A.3-6 and A.6.3-2						
4.3.1c	Mains power contact, inherent, port to external port	A.3-6 and A.6.3-3						

NOTE 1 – The test conditions for Test 4.2.2 (basic test level) may be adapted to the local conditions, by variation of the test parameters within the following limits, so that $I^2t = 1 \text{ A}^2\text{s}$ is fulfilled:

$U_{a.c.(max)} = 300 \text{ V} \dots\dots\dots 600 \text{ V}$, selected to meet local conditions;

$t \leq 1.0 \text{ s}$, selected to meet local conditions;

$R \leq 600 \ \Omega$ is to be calculated according to Equation 6-2:

$$R = U_{a.c.(max)} \sqrt{t} \tag{6-2}$$

NOTE 2 – For Test 4.2.2 (enhanced test level), the equipment shall comply with the specified criterion for all voltage–time combinations bounded (on and below) by the 10 A^2s voltage–time curve in Figure 1. The curve in Figure 1 is defined by Equation 6-1 and the boundary conditions in this table.

NOTE 3 – The a.c. mains voltage and frequency for Test 2.3.1 may be changed to the local mains supply voltage and frequency values. For a.c. test voltage values other than 230 V, the test resistor values should be adjusted to provide the same prospective short-circuit current values that occur in the 230 V test condition.

Table 5 – Test conditions for mains power ports

Test no.	Test description	Test circuit and waveform (see figures in Annex A of [ITU-T K.44])	Basic test levels (also see clause 7 of [ITU-T K.44])	Enhanced test levels (also see clauses 5 and 7 of [ITU-T K.44])	Number of tests	Primary protection (clause 8 of [ITU-T K.44])	Acceptance criteria (clause 9 of [ITU-T K.44])	Comments
5.1.1a	Lightning, inherent, transverse	A.3-5 and A.6.4-1 1.2/50-8/20 CWG	$U_{c(max)} = 2.5 \text{ kV}$ $R = 0 \ \Omega$	$U_{c(max)} = 6.0 \text{ kV}$ $R = 0 \ \Omega$	Alternating ± 5 surges (60 s between successive surges)	None	A	This test does not apply when the equipment is designed to be always used with primary protection and the operator agrees.
5.1.1b	Lightning, inherent, port to earth	A.3-5 and A.6.4-2 1.2/50-8/20 CWG	$U_{c(max)} = 2.5 \text{ kV}$ $R = 0 \ \Omega$	$U_{c(max)} = 6.0 \text{ kV}$ $R = 0 \ \Omega$				
5.1.1c	Lightning, inherent, port to external port	A.3-5 and A.6.4-3 1.2/50-8/20 CWG	$U_{c(max)} = 2.5 \text{ kV}$ $R = 0 \ \Omega$	$U_{c(max)} = 6.0 \text{ kV}$ $R = 0 \ \Omega$				
5.1.2a	Lightning, inherent/coordination	A.3-5 and A.6.4-1 1.2/50-8/20 CWG	$U_{c(max)} = 6.0 \text{ kV}$ $R = 0 \ \Omega$	$U_{c(max)} = 10.0 \text{ kV}$ $R = 0 \ \Omega$	Alternating ± 5 surges (60 s between	Agreed primary protector (mains). When performing the external port to external port test, also add an STP/primary protector to the untested port.	A	

Table 5 – Test conditions for mains power ports

Test no.	Test description	Test circuit and waveform (see figures in Annex A of [ITU-T K.44])	Basic test levels (also see clause 7 of [ITU-T K.44])	Enhanced test levels (also see clauses 5 and 7 of [ITU-T K.44])	Number of tests	Primary protection (clause 8 of [ITU-T K.44])	Acceptance criteria (clause 9 of [ITU-T K.44])	Comments
5.1.2b	Lightning, inherent/coordination, port to earth	A.3-5 and A.6.4-2 1.2/50-8/20 CWG	$U_{c(max)} = 6.0 \text{ kV}$ $R = 0 \ \Omega$	$U_{c(max)} = 10.0 \text{ kV}$ $R = 0 \ \Omega$	successive surges)			
5.1.2c	Lightning, inherent/coordination, port to external port	A.3-5 for and A.6.4-3 1.2/50-8/20 CWG	$U_{c(max)} = 6.0 \text{ kV}$ $R = 0 \ \Omega$	$U_{c(max)} = 10.0 \text{ kV}$ $R = 0 \ \Omega$				
5.2.1	Earth potential rise		Under study	Under study				
5.2.2a	Neutral potential rise, inherent, port to earth	A.3-6 and A.6.4-2 a.c.	$U_{(AC)} = 600 \text{ V}$ $f = 50 \text{ Hz}$ or 60 Hz $t = 1 \text{ s}$	$U_{(AC)} = 1\ 500 \text{ V}$, $f = 50 \text{ Hz}$ or 60 Hz $t = 1 \text{ s}$ $R = 200 \ \Omega$	5	None	A	This test applies only when the equipment is to be installed with TT or IT mains system, and the operator requests it.

Table 5 – Test conditions for mains power ports

Test no.	Test description	Test circuit and waveform (see figures in Annex A of [ITU-T K.44])	Basic test levels (also see clause 7 of [ITU-T K.44])	Enhanced test levels (also see clauses 5 and 7 of [ITU-T K.44])	Number of tests	Primary protection (clause 8 of [ITU-T K.44])	Acceptance criteria (clause 9 of [ITU-T K.44])	Comments
5.2.2b	Neutral potential rise, inherent, port to external port	A.3-6 and A.6.4-3 a.c.	$R = 200 \Omega$					
NOTE – The total lead length used to connect the agreed primary protector shall be 1 m.								

Table 6 – Test conditions for electrostatic discharge applied to the enclosure

Test no.	Test description	Test circuit	Basic test level	Enhanced test level	Number of tests	Primary protection	Acceptance criteria (clause 9 of [ITU-T K.44])
6.1a	Air discharge	[IEC 61000-4-2]	Level 3 (8 kV)	Level 4 (15 kV)	5	n/a	A
6.1b	Contact discharge	[IEC 61000-4-2]	Level 3 (6 kV)	Level 4 (8 kV)	5	n/a	A

NOTE – The test applies to the equipment enclosure.

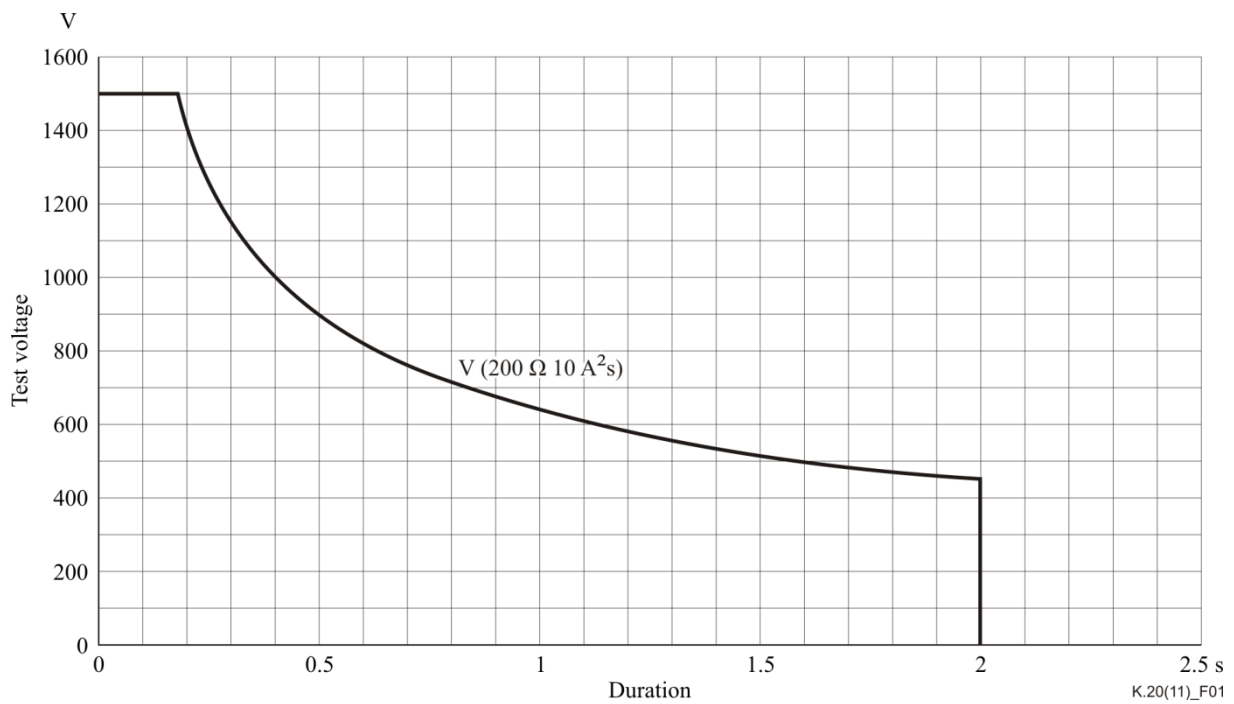


Figure 1 – Test voltage versus duration to give 10 A²s with 200 Ω

Table 7a – Lightning test conditions for ports connected to internal cables
(See clause 6 Note 4 and Note 5, for exemptions)

Test no.	Test description	Test circuit and waveform (see figures in Annex A of [ITU-T K.44])	Basic test levels (also see clause 7 of [ITU-T K.44])	Enhanced test levels (also see clauses 5 and 7 of [ITU-T K.44])	Number of tests	Primary protection (clause 8 of [ITU-T K.44])	Acceptance criteria (clause 9 of [ITU-T K.44])	Comments
7.1	Unshielded cable with symmetric pairs	A.3-5 and A.6.5-1 1.2/50-8/20 CWG $R = 10 \Omega$ (The value of R is independent of the number of conductors)	$U_{c(max)} = 500 \text{ V}$	$U_{c(max)} = 1 \text{ kV}$	Alternating ± 5 surges (60 s between successive surges)	None	A	The test is applied simultaneously to all symmetric cable pairs connected to the equipment port under test .except for unshielded Ethernet ports.
7.2	Shielded cable to earth	A.3-5 and A.6.5-2 1.2/50-8/20 CWG $R = 0 \Omega$ The value of R is independent of the number of conductors	$U_{c(max)} = 500 \text{ V}$	$U_{c(max)} = 1 \text{ kV}$	Alternating ± 5 surges (60 s between successive surges)	None	A	
7.3	USB shielded cable to earth	A.3-5 and A.6.5-2 1.2/50-8/20 CWG $R = 0 \Omega$	$U_{c(max)} = 100 \text{ V}$	$U_{c(max)} = 150 \text{ V}$	Alternating ± 5 surges (60 s between successive surges)	None	A	The test is performed with the supplied cable (not the 20 m cable specified in Figure A.6.5-2). (Lower voltage level testing is also required – see clause 7.3 of [ITU-T K.44].)

**Table 7b – Lightning test conditions for ports connected to internal cables
(See clause 6, Note 4 and Note 5, for exemptions)**

Test no.	Test description	Test circuit and waveform (see figures in Annex A of [ITU-T K.44])	Basic test levels (also see clause 7 of [ITU-T K.44])	Intermediate test levels (also see clause 7 of [ITU-T K.44])	Enhanced test levels (also see clause 7 of [ITU-T K.44])	Number of tests	Primary protection (clause 8 of [ITU-T K.44])	Acceptance criteria (clause 9 of [ITU-T K.44])	Comments
7.4	Screen/shield connection high current test	A.3-5 and A.6.7-6 1.2/50-8/20 CWG $R = 5 \Omega$	$U_c(\max) = 2.5 \text{ kV}$	$U_c(\max) = 4.0 \text{ kV}$	$U_c(\max) = 6.0 \text{ kV}$	Alternating ± 5 surges (60 s between successive surges)	None	A	Final circuit values under study
7.5	PoE Mode A and Mode B transverse test	A.3-5 and A.6.7-2 1.2/50-8/20 CWG $R1 = 10 \Omega$ and $R2 = 10 \Omega$	$U_c(\max) = 2.5 \text{ kV}$	Under study	$U_c(\max) = 6.0 \text{ kV}$	Alternating ± 5 surges (60 s between successive surges)	None	A	
7.6	Ethernet longitudinal /common mode withstand test	A.3-5 and A.6.7-3a 1.2/50-8/20 CWG $R = 5 \Omega$	$U_c(\max) = 2.5 \text{ kV}$	$U_c(\max) = 4.0 \text{ kV}$	$U_c(\max) = 6.0 \text{ kV}$	Alternating ± 5 surges (60 s between successive surges)	None (Note 2)	A	There shall be no insulation breakdown during the test and the post-test resistance shall be at least $2 \text{ M}\Omega$ when measured at 500 V d.c. (see Figure A.6.7-3). Monitor the impulse voltage to detect insulation breakdown or voltage protector operation.
7.7	Ethernet transverse	A.3-5 and A.6.7-5 1.2/50-8/20 CWG	$U_c(\max) = 2.5 \text{ kV}$	$U_c(\max) = 4.0 \text{ kV}$	$U_c(\max) = 6.0 \text{ kV}$	Alternating ± 5 surges (60 s between successive surges)	None	A	

Table 7c – Lightning test conditions for ports connected to internal cables

(See clause 6 Note 4 for exemptions)

Test no.	Test description	Test circuit and waveform (see figures in Annex A of [ITU-T K.44])	Basic test levels (also see clause 7 of [ITU-T K.44])	Enhanced test levels (also see clauses 5 and 7 of [ITU-T K.44])	Number of tests	Primary protection (clause 8 of [ITU-T K.44])	Acceptance criteria (clause 9 of [ITU-T K.44])	Comments
7.8	DC powered equipment port	Figures A.3-5 (1.2/50-8/20 CWG) and A.6.6-1a Coupling element: 10 Ω + 9 μF in series	$U_{c(max)} = 500 \text{ V}$	$U_{c(max)} = 1 \text{ kV}$	Alternating ±5 surges (60 s between successive surges)	None	A	See ITU-T K.44 clauses 7.1.1 and 10.5.3
7.9	DC power source port	Figures A.3-5 (1.2/50-8/20 CWG) and A.6.6-1b Coupling element: 10 Ω + 9 μF in series	$U_{c(max)} = 500 \text{ V}$	$U_{c(max)} = 1 \text{ kV}$	Alternating ±5 surges (60 s between successive surges)	None	A	See ITU-T K.44 clauses 7.1.1 and 10.5.4
7.10	Twisted pair port transverse/differential	A.3-5 and A.6.7-5 1.2/50-8/20 CWG	$U_{c(max)} = 500 \text{ V}$	$U_{c(max)} = 1 \text{ kV}$	Alternating ±5 surges (60 s between successive surges)	None	A	

NOTE 1 – For equipment without an earth connection, wrap the equipment in foil and connect the foil to the generator return.

NOTE 2 – When the cabling is fitted with SPDs, the equipment user and manufacturer may use different test conditions upon mutual agreement; this topic is currently under study.

Appendix I

Floating transverse power induction and earth potential rise test for ports connected to external symmetric pair cables

(This appendix does not form an integral part of this Recommendation.)

I.1 Introduction

In 1999-2000 a network operator replaced older concentrators with new types of access nodes. Although the line cards of the new nodes passed all of the tests of this Recommendation, including the enhanced level tests, a large number of the line cards were damaged in the field in 2000-2002. The damaged components were generally the subscriber line integrated circuit (SLIC). After 3 years of intensive study and testing, similar damage could be reproduced under laboratory conditions. The protection on the line cards was amended to allow the line cards to pass this new test. After applying the new protection to line cards in the field, the number of damaged SLICs was reduced by more than 95% in 2003 and 2004.

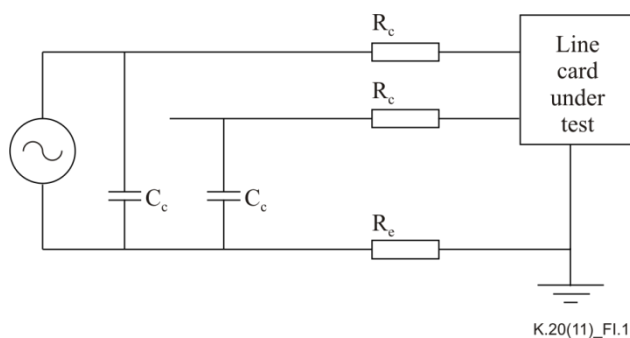
This appendix provides some background information and specifies a simple test method in addition to those specified in Table 2b. In the case described in the previous paragraph, this test repeatedly caused damage in the ports with the original protection.

Because the reason for this type of coupling is not completely understood, the test method is not included in the main text of this Recommendation. Manufacturers and operators can apply this test at their discretion.

I.2 Discussion of the reason for the damage

As described in clause I.3, a power frequency test voltage is applied transversally between 'a' and 'b' when both are floating. This differs from the transverse test of Table 2b where either 'a' or 'b' is connected to the earth (e.g., frame of the equipment under test). The transverse test of Table 2b simulates the situation where one of the primary protectors in front of the equipment under test operates and the other does not.

Theoretically, a power frequency voltage of 100 to 200 V should not appear in a subscriber loop as a result of induction. Such a relatively high voltage between 'a' and 'b' would be an indication of the presence of a connection to earth somewhere in the loop. This connection could be an operation of a gas discharge tube at the subscriber end of the line as a result of a power frequency earth potential rise. An attempt to simulate such a case was made by testing the line card in the set-up shown in Figure I.1.



Coupling resistors, R_c , represent the line resistances; capacitances, C_c , represent the line capacitances to earth and R_e represents the earthing resistance of the overvoltage protectors at the subscriber end of the line.

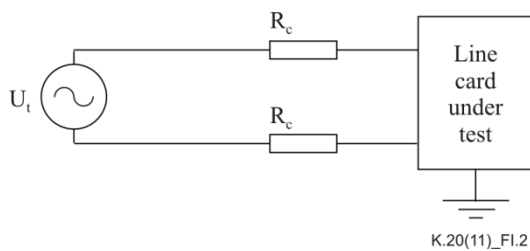
Figure I.1 – Test set-up for a line card in a telecommunication centre to simulate earth potential rise at the subscriber end

The damage could be reproduced with certain values of the coupling components of Figure I.1, but not with $R_c = 0$. This strengthens the understanding that the damage has something to do with phenomena along the line.

The simplest way to reveal a port's sensitivity to being damaged for this reason is the floating test described in clause I.3.

I.3 Test set-up and test voltages

The floating transverse test set-up is shown in Figure I.2. This is easily realized, for example, with an isolation transformer, if the test generator is originally earthed. The duration of the test voltage may be, for example, 300 ms and the coupling resistors may be approximately 100 to 200 Ω . The test voltage is gradually increased over the operation threshold of the secondary protection. In the case described in clause I.1, the port was repeatedly damaged, e.g., at 145 V test voltage with $R_c = 140 \Omega$.



Special test protectors may be used in front of the line card under test if the test is extended to higher voltages.

Figure I.2 – Test set-up for floating power induction and earth potential rise

Bibliography

- [b-ITU-T K.45] Recommendation ITU-T K.45 (2018), *Resistibility of telecommunication equipment installed in the access and trunk networks to overvoltages and overcurrents.*
- [b-ITU-T K.71] Recommendation ITU-T K.71 (2011), *Protection of customer antenna installations.*

SERIES OF ITU-T RECOMMENDATIONS

Series A	Organization of the work of ITU-T
Series D	Tariff and accounting principles and international telecommunication/ICT economic and policy issues
Series E	Overall network operation, telephone service, service operation and human factors
Series F	Non-telephone telecommunication services
Series G	Transmission systems and media, digital systems and networks
Series H	Audiovisual and multimedia systems
Series I	Integrated services digital network
Series J	Cable networks and transmission of television, sound programme and other multimedia signals
Series K	Protection against interference
Series L	Environment and ICTs, climate change, e-waste, energy efficiency; construction, installation and protection of cables and other elements of outside plant
Series M	Telecommunication management, including TMN and network maintenance
Series N	Maintenance: international sound programme and television transmission circuits
Series O	Specifications of measuring equipment
Series P	Telephone transmission quality, telephone installations, local line networks
Series Q	Switching and signalling, and associated measurements and tests
Series R	Telegraph transmission
Series S	Telegraph services terminal equipment
Series T	Terminals for telematic services
Series U	Telegraph switching
Series V	Data communication over the telephone network
Series X	Data networks, open system communications and security
Series Y	Global information infrastructure, Internet protocol aspects, next-generation networks, Internet of Things and smart cities
Series Z	Languages and general software aspects for telecommunication systems