

International Telecommunication Union

ITU-T

TELECOMMUNICATION
STANDARDIZATION SECTOR
OF ITU

K.76

(07/2008)

SERIES K: PROTECTION AGAINST INTERFERENCE

**EMC requirements for telecommunication
network equipment (9 kHz-150 kHz)**

Recommendation ITU-T K.76



Recommendation ITU-T K.76

EMC requirements for telecommunication network equipment (9 kHz-150 kHz)

Summary

Recommendation ITU-T K.76 specifies, for frequencies from 9-150 kHz, generalized conducted emissions requirements for telecommunication network equipment and an immunity requirement specific to telecommunication network equipment with analogue voice interfaces.

Source

Recommendation ITU-T K.76 was approved on 7 July 2008 by ITU-T Study Group 5 (2005-2008) under Recommendation ITU-T A.8 procedure.

Keywords

9-150 kHz, conducted emissions, conducted immunity, electromagnetic compatibility, low frequency, performance criteria.

FOREWORD

The International Telecommunication Union (ITU) is the United Nations specialized agency in the field of telecommunications, information and communication technologies (ICTs). The ITU Telecommunication Standardization Sector (ITU-T) is a permanent organ of ITU. ITU-T is responsible for studying technical, operating and tariff questions and issuing Recommendations on them with a view to standardizing telecommunications on a worldwide basis.

The World Telecommunication Standardization Assembly (WTSA), which meets every four years, establishes the topics for study by the ITU-T study groups which, in turn, produce Recommendations on these topics.

The approval of ITU-T Recommendations is covered by the procedure laid down in WTSA Resolution 1.

In some areas of information technology which fall within ITU-T's purview, the necessary standards are prepared on a collaborative basis with ISO and IEC.

NOTE

In this Recommendation, the expression "Administration" is used for conciseness to indicate both a telecommunication administration and a recognized operating agency.

Compliance with this Recommendation is voluntary. However, the Recommendation may contain certain mandatory provisions (to ensure e.g. interoperability or applicability) and compliance with the Recommendation is achieved when all of these mandatory provisions are met. The words "shall" or some other obligatory language such as "must" and the negative equivalents are used to express requirements. The use of such words does not suggest that compliance with the Recommendation is required of any party.

INTELLECTUAL PROPERTY RIGHTS

ITU draws attention to the possibility that the practice or implementation of this Recommendation may involve the use of a claimed Intellectual Property Right. ITU takes no position concerning the evidence, validity or applicability of claimed Intellectual Property Rights, whether asserted by ITU members or others outside of the Recommendation development process.

As of the date of approval of this Recommendation, ITU had not received notice of intellectual property, protected by patents, which may be required to implement this Recommendation. However, implementers are cautioned that this may not represent the latest information and are therefore strongly urged to consult the TSB patent database at <http://www.itu.int/ITU-T/ipr/>.

© ITU 2009

All rights reserved. No part of this publication may be reproduced, by any means whatsoever, without the prior written permission of ITU.

CONTENTS

	Page
1 Scope	1
2 References.....	1
3 Definitions	2
4 Abbreviations and acronyms	2
5 Emissions.....	2
5.1 Equipment configuration	2
5.2 DC power port emission.....	3
6 Immunity	5
6.1 Test level	5
6.2 Test set-up	6
6.3 Method of measurement.....	7
6.4 Performance criteria	7
Appendix I – Example of disturbances at low frequency	9
I.1 Audible noise caused by disturbance from rectifier	9
I.2 Audible noise in telephone services provided from a central office	9
I.3 Trouble in LAN system.....	10
Bibliography.....	11

Introduction

This Recommendation complements the electromagnetic compatibility (EMC) requirements for telecommunication network equipment contained in Recommendation ITU-T K.48 by specifying requirements at frequencies from 9-150 kHz.

Telecommunication network equipment can be influenced by or influence the electromagnetic environment at frequencies from 9-150 kHz.

A necessity to analyse this frequency range was highlighted considering the influence that very low frequency noise has on analogue voice communication.

The first edition of this Recommendation covers direct current (DC) ports. Other ports could be considered in future editions of the Recommendation.

Recommendation ITU-T K.76

EMC requirements for telecommunication network equipment (9 kHz-150 kHz)

1 Scope

This Recommendation considers continuous electromagnetic phenomena from 9-150 kHz. Impulsive low frequency phenomena are considered in other K-series Recommendations. Continuous phenomena above 150 kHz are covered by [ITU-T K.48].

Both the emissions of and the immunity to induced signals at frequencies from 9-150 kHz are taken into account in this Recommendation.

This Recommendation defines test set-up, measurement methods, emission limits and immunity test levels for telecommunication network equipment.

This Recommendation applies to all types of telecommunication network equipment. Due to the nature of the interference, the immunity test is applicable only to equipment having an analogue voice interface that could be influenced by disturbing signals in the voice frequency range.

2 References

The following ITU-T Recommendations and other references contain provisions which, through reference in this text, constitute provisions of this Recommendation. At the time of publication, the editions indicated were valid. All Recommendations and other references are subject to revision; users of this Recommendation are therefore encouraged to investigate the possibility of applying the most recent edition of the Recommendations and other references listed below. A list of the currently valid ITU-T Recommendations is regularly published. The reference to a document within this Recommendation does not give it, as a stand-alone document, the status of a Recommendation.

- [ITU-T K.48] Recommendation ITU-T K.48 (2006), *EMC requirements for telecommunication equipment – Product family Recommendation*.
<<http://www.itu.int/rec/T-REC-k.48>>
- [IEC CISPR 16-1-1] IEC CISPR 16-1-1 (2007), *Specification for radio disturbance and immunity measuring apparatus and methods – Part 1-1: Radio disturbance and immunity measuring apparatus – Measuring apparatus*.
<<http://webstore.iec.ch/webstore/webstore.nsf/artnum/038484>>
- [IEC CISPR 16-1-2] IEC CISPR 16-1-2 (2006), *Specification for radio disturbance and immunity measuring apparatus and methods – Part 1-2: Radio disturbance and immunity measuring apparatus – Ancillary equipment – Conducted disturbances*.
<<http://webstore.iec.ch/webstore/webstore.nsf/artnum/036429>>
- [IEC CISPR 16-2-1] IEC CISPR 16-2-1 (2008), *Specification for radio disturbance and immunity measuring apparatus and methods – Part 2-1: Methods of measurement of disturbances and immunity – Conducted disturbance measurements*.
<<http://webstore.iec.ch/webstore/webstore.nsf/artnum/041943>>
- [IEC CISPR 22] IEC CISPR 22 (2008), *Information technology equipment – Radio disturbance characteristics – Limits and methods of measurement*.
<<http://webstore.iec.ch/webstore/webstore.nsf/artnum/041907>>

3 Definitions

This Recommendation defines the following terms:

3.1 continuous disturbance: Electromagnetic disturbance whose effects on a particular device or piece of equipment cannot be resolved into a succession of distinct effects.

3.2 fully populated equipment: Equipment designed to provide housing ('slots') for a number of different functional modules (line cards, etc.), configured such that the full capacity (i.e., all 'slots') is populated with modules in a manner representative of intended use.

3.3 nominal current: The DC current consumption of a fully populated equipment powered at the nominal DC voltage when the equipment is operated in a manner representative of intended use.

3.4 nominal voltage: The value of the voltage that designates the type of supply declared by the manufacturer.

4 Abbreviations and acronyms

This Recommendation uses the following abbreviations and acronyms:

ADN	Artificial Direct Current Network
CM	Common-Mode
DC	Direct Current
DSU	Data Service Unit
EMC	ElectroMagnetic Compatibility
EUT	Equipment Under Test
ISDN	Integrated Services Digital Network
LAN	Local Area Network
MDF	Main Distribution Frame
NM	Normal-Mode
RMS	Root Mean Square
SW	Switching Equipment

5 Emissions

The emissions at low frequency are in major part due to the cabling attached at the equipment; for this reason it is sufficient to measure the conducted emission from the cabling. Experience has been reported from telecommunication installations that emissions at low frequency from some ports can cause trouble in telecommunication installations (see Appendix I).

This Recommendation considers conducted emissions from the following cable ports:

- DC power ports.

5.1 Equipment configuration

During the measurements, the telecommunication network equipment shall be powered at nominal voltage, operated at rated load conditions and have achieved a steady state (such that any transients on the current consumption associated with equipment power-up can be neglected).

If the power consumption of the equipment changes significantly from one operational state to another, the equipment shall be tested in each operational state to determine the highest value of emission.

The equipment shall be configured in a manner representative of intended use and exercised accordingly.

Detailed equipment test conditions, for different types of products, are reported in clauses 6 and 7 of [ITU-T K.48].

5.2 DC power port emission

The emissions from DC power ports are divided into the following two frequency ranges:

- Range 1: from 25 Hz to 20 kHz (narrow-band noise).
- Range 2: from 20 kHz to 150 kHz.

5.2.1 Emissions in range 1

5.2.1.1 Limits

The maximum level of noise emitted into the DC power supply system of the telecommunication network equipment is shown in Figure 1.

The values shown in Figure 1 refer to the bandwidths given in Table 1.

Table 1 – Resolution bandwidths versus frequency range

Frequency range	Resolution bandwidth
25 Hz to 10 kHz	10 Hz
>10 kHz to 20 kHz	200 Hz or 300 Hz

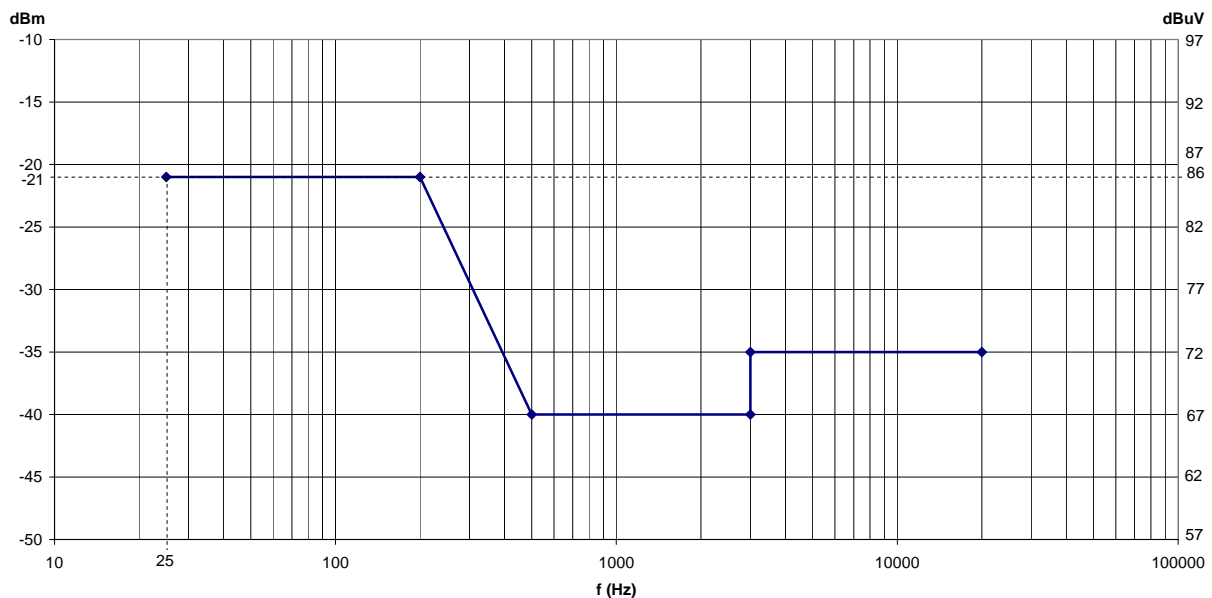


Figure 1 – Maximum levels of narrow-band noise

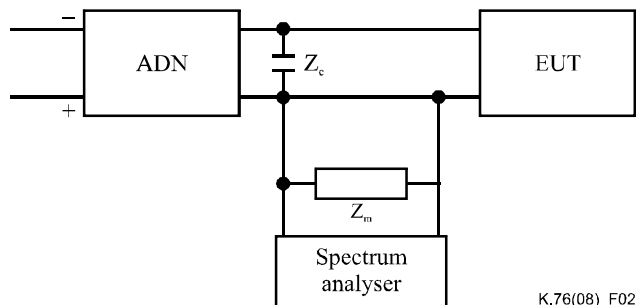
5.2.1.2 Measurement methods

The EUT shall be connected to the DC power supply through an artificial network to provide defined impedance across the EUT at the point of measurement and to provide isolation from the noise on the DC power supply lines. This artificial network is referred to hereafter as the artificial DC network (ADN), an example of which is displayed in Figure 3.

The measurement shall be made with a spectrum analyser or a receiver having the bandwidths shown in Table 1 for the relevant frequency ranges.

The measurement circuit shall be as shown in Figure 2.

The measurement shall be performed at three values of the powering voltage: the minimum, nominal and maximum of the normal service voltage range.



$Z_m = 50 \Omega$ (internal instrument impedance)

$Z_c \ll Z_m$ at all measured frequencies.

Figure 2 – Measuring circuit for emitted narrow-band noise

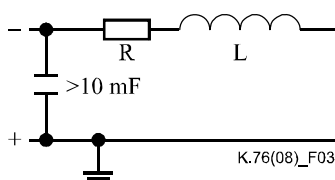


Figure 3 – Example of artificial DC network

Note that the ADN can be designed for telecommunication network equipment considering the nominal value of the DC voltage. Suggested values for the resistance, R , and inductance, L , shown in Figure 3 are as follows:

$$R \leq \frac{1}{I_m}$$

where:

I_m is the nominal current drawn at the nominal DC operating voltage

$$L = 15 \mu\text{H} \pm 10\% @ 10 \text{ kHz}$$

5.2.2 Emissions in range 2

5.2.2.1 Limits

The maximum level of noise emitted into the DC power supply system of the telecommunication network equipment is shown in Table 2.

Table 2 – Noise emission limits on DC power ports

Frequency range	Limit [dB μ V]
	Quasi-peak
20 kHz to 150 kHz	79

5.2.2.2 Measurement methods

The measurement shall be made with a spectrum analyser or a receiver in line with the requirements of [IEC CISPR 16-1-1].

The measuring methods shall be those specified for the mains interface in [IEC CISPR 22] or [IEC CISPR 16-2-1].

The EUT shall be connected to the DC power supply through an artificial network to provide defined impedance across the EUT at the point of measurement and to provide isolation from the noise on the DC power supply lines.

The artificial network to be used is the 9 kHz to 150 kHz: ($50 \Omega // 50 \mu\text{H} + 5 \Omega$) artificial mains V-network described in [IEC CISPR 16-1-2].

6 Immunity

Telecommunication network equipment with analogue voice interfaces can be sensitive to low frequency noise present on the DC power port, as this noise can be transferred to the analogue voice interface, where it presents itself as an audible noise that disturbs the voice conversation.

6.1 Test level

The telecommunication network equipment shall meet its specified performance criteria when the narrow-band noise is injected at the DC input port.

The RMS value of the injected noise current shall generally be 5% of the DC current level drawn by the equipment, but the injected noise voltage shall not exceed the limits shown in Figure 4.

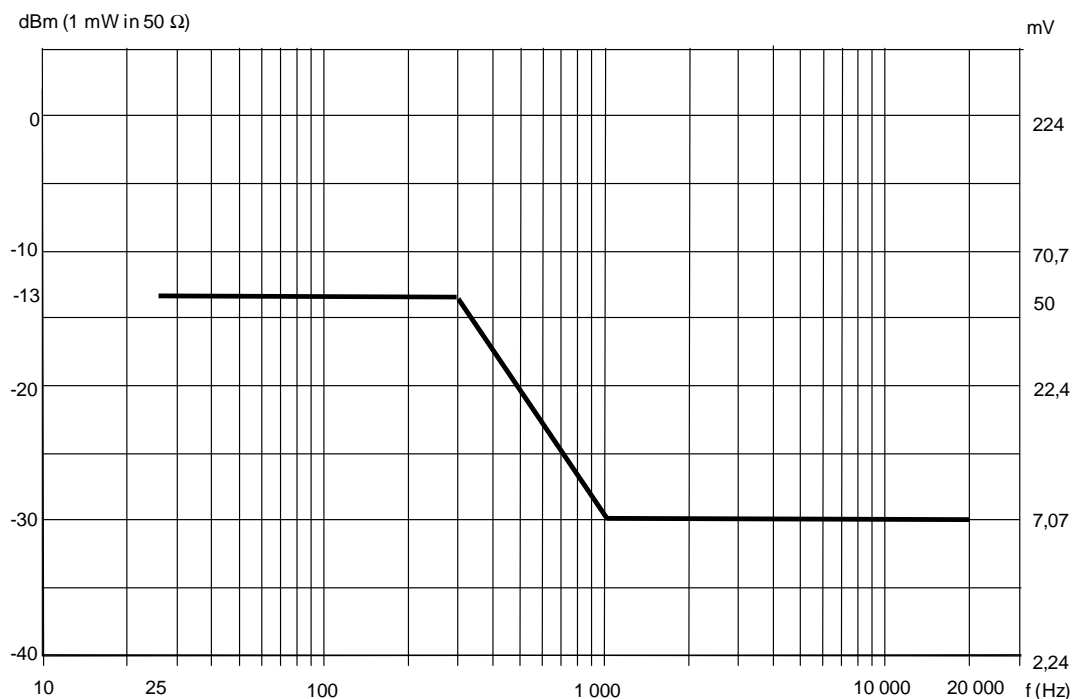


Figure 4 – Immunity level of narrow-band noise at DC power port

6.2 Test set-up

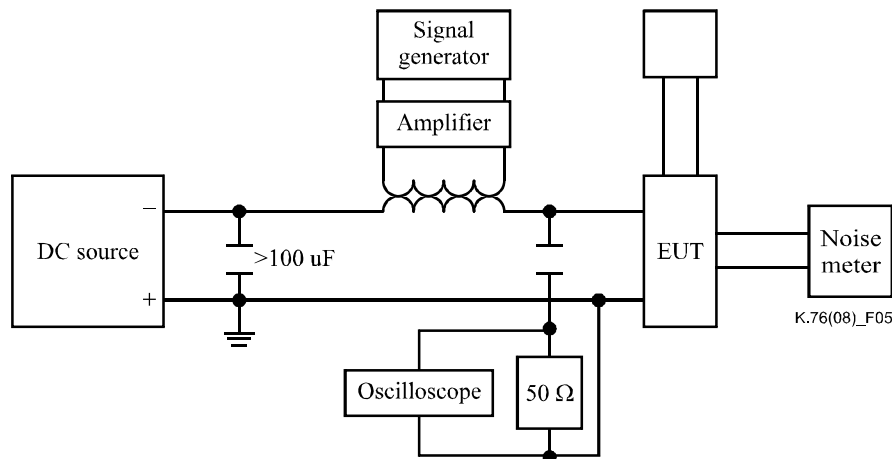
During the measurement, the telecommunication network equipment shall be powered at the nominal voltage and operated at rated load conditions.

The equipment shall be configured in a manner representative of intended use and exercised accordingly.

Detailed equipment test conditions for different type of products are reported in clauses 6 and 7 of [ITU-T K.48].

6.3 Method of measurement

The interference signal is injected into the DC power line using the circuit reported in Figure 5.



NOTE 1 – $Z_c \ll 50 \Omega$ at all measured frequencies.

NOTE 2 – The oscilloscope can be replaced by a spectrum analyser.

NOTE 3 – The 50 Ω shall be the input impedance of the measurement instrument (oscilloscope or spectrum analyser).

Figure 5 – Example of a typical test arrangement for immunity measurement

Where the frequency is swept incrementally, the step size shall not exceed 1% of the preceding frequency value. The dwell time at each frequency shall not be less than the time necessary for the EUT to be exercised and to respond, but shall in no case be less than 1 s.

The generator shall be calibrated initially over the whole frequency range by connecting the transformer to a 0.5 Ω resistor and checking the voltage over the 0.5 Ω resistor.

Calibration procedure:

- 1) Set the signal generator to the lowest test frequency.
- 2) Increase the applied signal until the oscilloscope indicates the voltage level corresponding to the maximum required power level specified for the limit.
- 3) Record the setting of the signal source.
- 4) Scan to test the required frequency range and record the signal source setting needed to maintain the required power level. The frequency step size shall not exceed 1% of the preceding frequency value.

Compliance is achieved when the specified performance criteria are met when either of the following conditions is reached:

- The maximum noise voltage value (i.e., as presented on Figure 4); or
- The RMS of the injected noise current reaches 5% of the DC current level drawn by the equipment.

The level of the disturbance signal shall be controlled with a spectrum analyser having the bandwidths shown in Table 1 for the relevant frequency ranges.

6.4 Performance criteria

During the test, the telecommunication network equipment has to fulfil performance criterion A reported below.

Special requirements for analogue voice frequency signal ports are as follows.

The performance of the equipment shall be verified by measuring the audio signal break-through (demodulated 1 kHz) on the signal port during continuous exposure, in both signal path directions, covering both analogue-to-digital conversion, and digital-to-analogue conversion.

The connection must be maintained throughout testing:

- a) During a sweep over the entire frequency range, the noise level measured at each two-wire analogue port at 600 Ω (ignoring the normal impedance of the port for practical reasons) must be less than -40 dBm.
- b) The measurement shall be done selectively with a bandwidth ≤ 100 Hz at 1 kHz.

Performance criterion A

The telecommunication network equipment shall continue to operate as intended. No degradation of performance or loss of function is allowed below a performance level specified by the manufacturer, when the equipment is used as intended. In some cases, the performance level may be replaced by a permissible loss of performance. If the minimum performance level or the permissible performance loss is not specified by the manufacturer, then either of these may be derived from the product description and documentation, and what the user may reasonably expect from the equipment, if used as intended.

Appendix I

Example of disturbances at low frequency

(This appendix does not form an integral part of this Recommendation)

This appendix reports some examples of interference due to a signal at a frequency below 150 kHz in a telecommunication installation.

- The first example is noise generated by a power rectifier that injects noise into the DC distribution, and this noise can generate disturbance on an audio signal in the terminal equipment.
- The second example shows how the noise generated by a lighting system can induce disturbances in a telecommunication network.

I.1 Audible noise caused by disturbance from rectifier

The example of the audible noise caused by interference from a rectifier is shown in Figure I.1. The common-mode noise produced by the rectifier propagates to equipment B on the DC power feeding cable, then it propagates toward the subscriber line through equipment B. Common-mode noise on the telecommunication cable connected to equipment A is induced by magnetic or capacitive coupling. The common-mode noise becomes normal-mode noise by the imbalance of equipment A. By detecting the envelope of the noise, this normal-mode noise is converted to audible noise at the terminal in equipment A, then it propagates to the terminal equipment and is recognized as acoustic noise.

Measurement results demonstrate that the main spectrum component of the noise is around 50 kHz and its envelope has an audible frequency component.

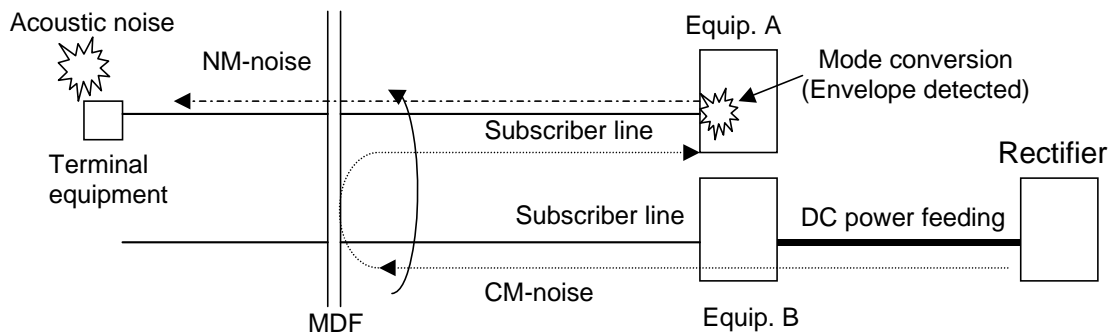


Figure I.1 – Configuration of trouble caused by interference from rectifier

I.2 Audible noise in telephone services provided from a central office

Figure I.2 illustrates an example of the trouble caused by power electronics apparatus. Noise is generated in a fluorescent light using inverter technology. The noise propagates through the power line connected to the fluorescent light and flows into the telecommunication cable via telecommunication terminal equipment.

In this case, the main spectrum component of the noise is around 80 kHz. Now the noise is not only converted into audible noise at the terminal equipment, but also at the switching equipment. Furthermore, similar disturbance occurs in a lot of terminal equipment, which is connected to different pairs in the same cable, because the noise is induced in the lines of the cable by electromagnetic or capacitive coupling.

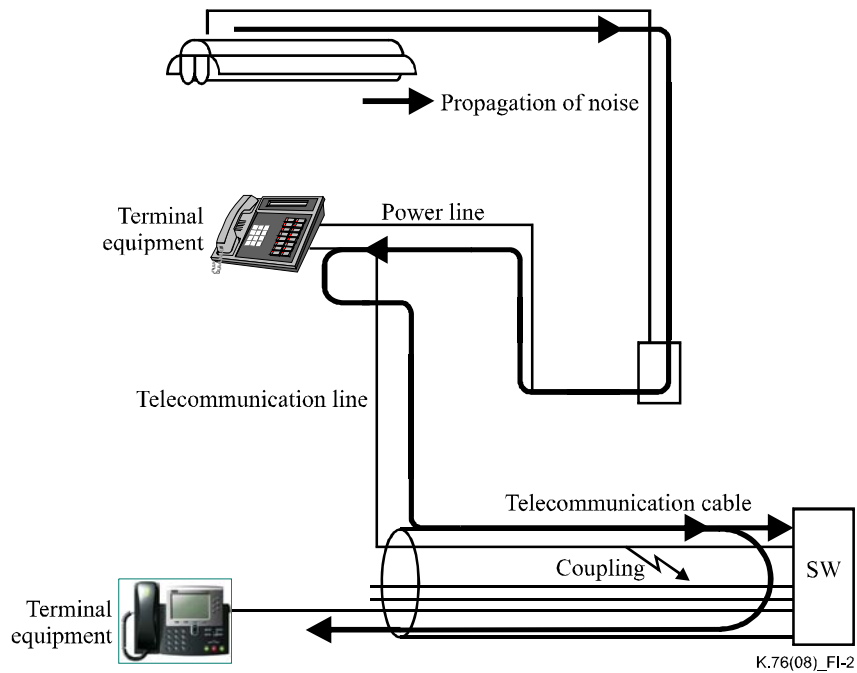


Figure I.2 – Propagation of noise from fluorescent light

I.3 Trouble in LAN system

Figure I.3 shows the configuration of a LAN installed in a ski venue where disturbance caused by a ski lift occurred. A router is connected to the ISDN that is provided from a telecommunication centre via a DSU. The router stops functioning when the lift is running.

In this case, the noise is produced by the lift motor. Then the noise flows into a power line and propagates into the router. The measured voltage between the neutral line and earthing electrode shows a magnitude of the noise of about 100 V peak-to-peak with a main spectrum component of about 50 kHz, and a burst frequency of about 5 kHz.

From this measurement, it is found that this noise creates a disturbance in the router's power line and causes the malfunction.

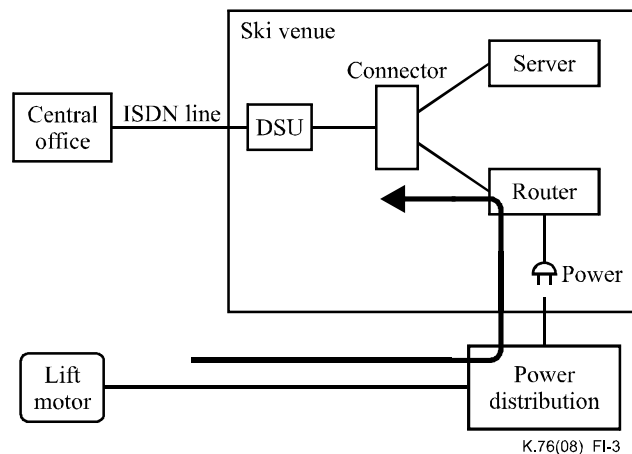


Figure I.3 – LAN configuration

Bibliography

- [b-ETSI EN 300 132-2] ETSI EN 300 132-2 (2007), *Environmental Engineering (EE); Power supply interface at the input to telecommunications equipment; Part 2: Operated by direct current (dc)*.
http://webapp.etsi.org/workprogram/Report_WorkItem.asp?WKI_ID=27677

SERIES OF ITU-T RECOMMENDATIONS

Series A	Organization of the work of ITU-T
Series B	Available
Series C	Available
Series D	General tariff principles
Series E	Overall network operation, telephone service, service operation and human factors
Series F	Non-telephone telecommunication services
Series G	Transmission systems and media, digital systems and networks
Series H	Audiovisual and multimedia systems
Series I	Integrated services digital network
Series J	Cable networks and transmission of television, sound programme and other multimedia signals
Series K	Protection against interference
Series L	Construction, installation and protection of cables and other elements of outside plant
Series M	Telecommunication management, including TMN and network maintenance
Series N	Maintenance: international sound programme and television transmission circuits
Series O	Specifications of measuring equipment
Series P	Telephone transmission quality, telephone installations, local line networks
Series Q	Switching and signalling
Series R	Telegraph transmission
Series S	Telegraph services terminal equipment
Series T	Terminals for telematic services
Series U	Telegraph switching
Series V	Data communication over the telephone network
Series W	Available
Series X	Data networks, open system communications and security
Series Y	Global information infrastructure, Internet protocol aspects and next-generation networks
Series Z	Languages and general software aspects for telecommunication systems