

M.3016.2

(2005/04)

ITU-T

:M
(TMN)

:

ITU-T M.3016.2



M

(TMN)

M.299 - M.10

M.559 - M.300

M.759 - M.560

M.799 - M.760

M.899 - M.800

M.999 - M.900

M.1099 - M.1000

M.1199 - M.1100

M.1299 - M.1200

M.1399 - M.1300

M.1999 - M.1400

M.2999 - M.2000

M.3599 - M.3000

M.3999 - M.3600

M.4999 - M.4000

(MS)

(NE)

ITU-T M.3016.2

2005

13

(2008-2005) 4

.A.8

(ITU-T)

(WTSA)

1

(IEC)

(ISO)

(" ")

" "

(TSB)

© ITU 2005

1		1
1		2
2		3
2		4
2		5
2		6
3	1.6	
5	2.6	
6	3.6	
6	4.6	
6	5.6	
7	6.6	
7	7.6	
8	8.6	

(ITU-T)

M.3016.x

:

:

- ITU-T M.3016.0

:

- ITU-T M.3016.1

:

- ITU-T M.3016.2

:

- ITU-T M.3016.3

:

- ITU-T M.3016.4

:

1

(ITU-T)

M

3016.3

3016.2

3016.1

/

(M.3016.1-M.3016.3)

(MS)

(NE)

(TMN)

.M.3016.x

. M.3016.x

(ITU-T)

M.3016.4

/

2

(2004) ITU-T E.408

-

(1991) ITU-T X.800

-

.(CCITT)

(2003) ITU-T X.805

-

ITU-T X.800 3

-
-
-
-
-

4

:

MS
NE
OAM&P
OSI
TMN

5

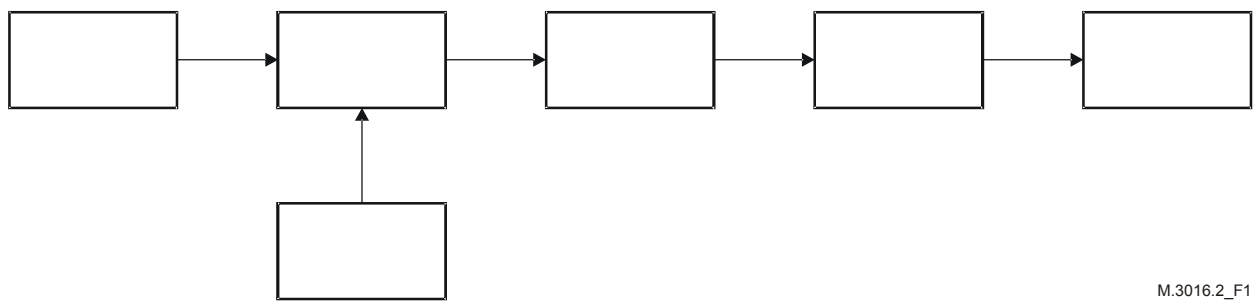
(ITU-T) M.3016.3 M.3016.2 M.3016.1

:

REQ -
SER -
MEC -

6

1
" " " " " " " " " "
" " " " " " " " " "



M.3016.2_F1

- M.3016.2/1

(ITU-T) M.3016.0 1
.(M.3016.0) 4)

M.3016.1

M.3016.2)
(ITU-T)

(ITU-T)

M.3016.3

((ITU-T)

)

.(

- M.3016.2/1

	-
	-
	-
	-
	(DCN)

:

2

6

- M.3016.2/2

	1.6
	2.6
	3.6
	4.6
	5.6
	6.6
	7.6

1.6

TMN

(TMN)

.(TMN)

()

() (PIN)

-
-
-

(1

/

(2

: ((ITU-T)

X.800)

()

-

()

-

()

-

:(OSI)

-

(TMN)

OSI

1.1.6

(MS)

/(NE)

:SER 1

()

.(Kerberos)

2.1.6

)

(

(NE/MS) /

:SER 2

.X.509

3.1.6

(NE/MS) /

:SER 3

2.6

(TMN)

:(TMN)

:

()

:(TMN)

-
-
-
-
-
-

(MS)

/ (NE)

:SER 4

3.6

(TMN)

:

:

-

-

(MS)

/ (NE)

:SER 5

4.6

(TMN)

:

()

-

-

-

MD5

(HMAC-MD5)

(MS)

/ (NE)

:SER 6

5.6

(TMN)

()

:

:

:

-

-

(MS) / (NE) :SER 7

6.6

TMN (TMN)
TMN
(OSI) :

(MS) / (NE)

(OAM&P)
(OAM&P)

(MS) / (NE) :SER 8

(MS) / (NE)

(MS) / (NE) ()

7.6

(TMN)

(MS) / (NE) :SER 9

(TMN)

.(TMN)

(MS)

/(NE)

(TMN)

:SER 10

(TMN)

:

:

A
B
C
D
E
F
G
H
I
J
K
L
M
N
O
P
Q
R
S
T
U
V
X
Y
Z