



INTERNATIONAL TELECOMMUNICATION UNION

ITU-T

TELECOMMUNICATION
STANDARDIZATION SECTOR
OF ITU

Q.625

INTERWORKING OF SIGNALLING SYSTEMS

**LOGIC PROCEDURES FOR OUTGOING
SIGNALLING SYSTEM R1**

ITU-T Recommendation Q.625

(Extract from the *Blue Book*)

NOTES

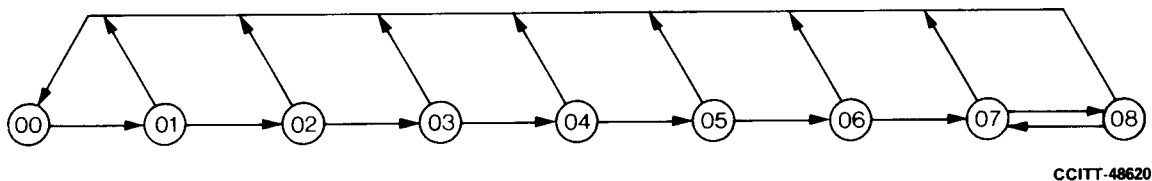
- 1 ITU-T Recommendation Q.625 was published in Fascicle VI.6 of the *Blue Book*. This file is an extract from the *Blue Book*. While the presentation and layout of the text might be slightly different from the *Blue Book* version, the contents of the file are identical to the *Blue Book* version and copyright conditions remain unchanged (see below).
- 2 In this Recommendation, the expression "Administration" is used for conciseness to indicate both a telecommunication administration and a recognized operating agency.

© ITU 1988, 1993

All rights reserved. No part of this publication may be reproduced or utilized in any form or by any means, electronic or mechanical, including photocopying and microfilm, without permission in writing from the ITU.

Recommendation Q.625

LOGIC PROCEDURES FOR OUTGOING SIGNALLING SYSTEM R1



State number	State description	Sheet reference	Timers running
00	Idle	1	
01	Wait for ST-FITE	1	t ₁
02	Wait for seizing acknowledgement	1	t ₂
03	Wait for proceed-to-send	1	t ₃
04	Wait for time release t ₄ (KP pulse + pause)	2	t ₄
05	Wait for time release t ₅ (pulsed digit + pause)	2	t ₅
06	Wait for answer	2	
07	Answered	2	
08	Clear-back	2	

FIGURE 1/Q.625
State overview diagram for outgoing Signalling System R1

Supervisory timers for outgoing Signalling System R1

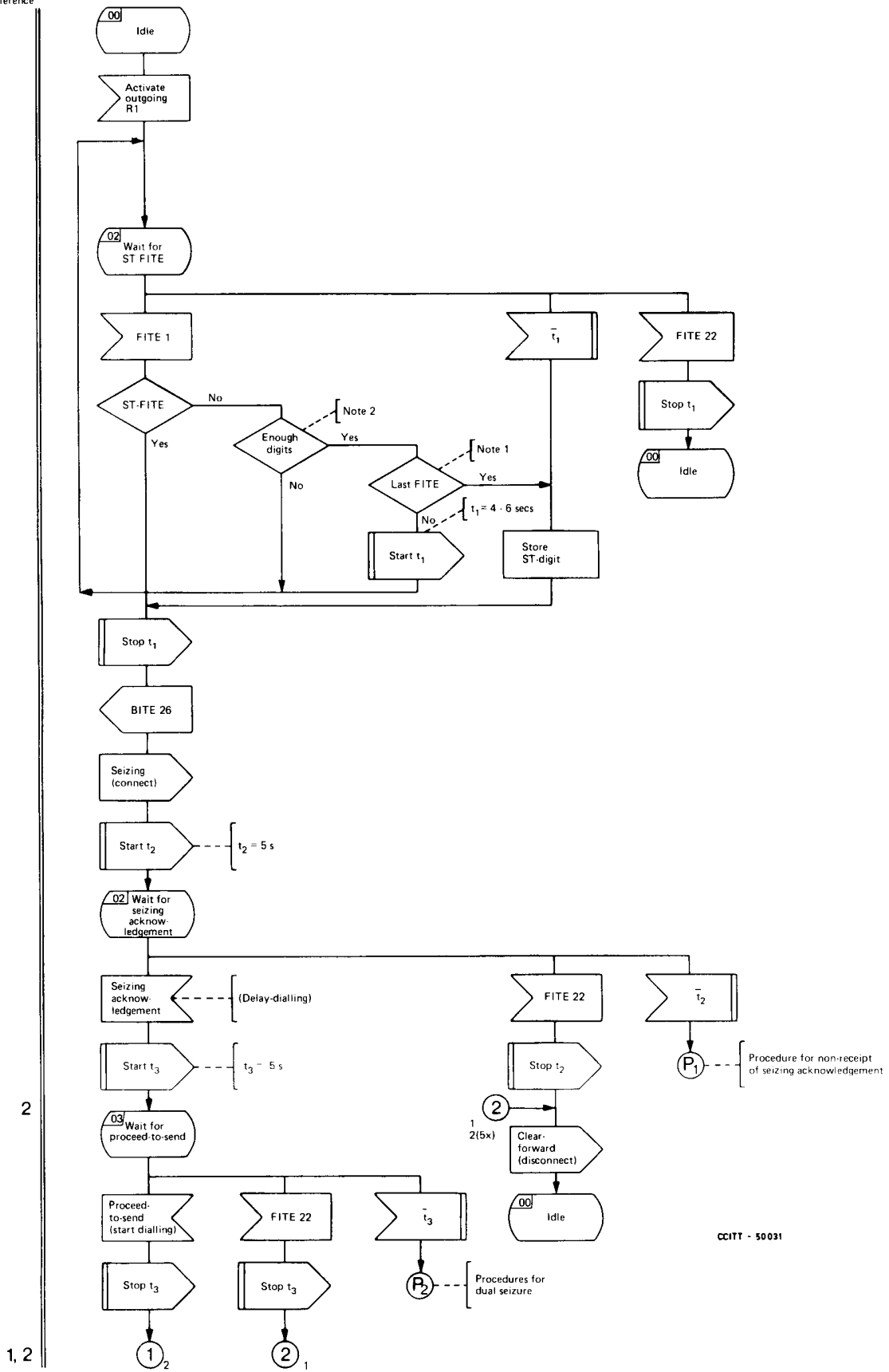
- t₁ = 5 ± 1 s Recommendation Q.321, § 3.2.1, b), ii)
- t₂ = 5 s Recommendation Q.325, § 3.6.2, 1), a)
- t₃ = 5 s Recommendation Q.325, § 3.6.2, 1), b)
- t₄ = 100 + 68 ms Recommendation Q.322, § 3.3.4
- t₅ = 2 x 68 ms Recommendation Q.322, § 3.3.4

Remarks to facilitate reading and understanding the SDL flow chart

- a) The procedure P₂ for non-receipt of seizing acknowledgement is described in Recommendation Q.325, § 3.2.6, 1), a).
- b) The procedure P₃, related to dual seizure with both-way operation, is not described because no procedure is specified with consequences to interworking.
- c) The time supervisions t₄ and t₅ are introduced to ensure the possibility of handling a clear-forward signal during outpulsing.
- d) It is assumed that no country code digits are sent in the outgoing Signalling System R1 procedures.

FIGURE 2/Q.625

Notes to outgoing Signalling System R1



Note 1 - Fixed or maximum number length reached?
 Note 2 - Has minimum number of digits been received?

FIGURE 3/Q.625 (Sheet 1 of 2)

Outgoing Signalling System R1

CCITT - 50031

Connector reference

1

2

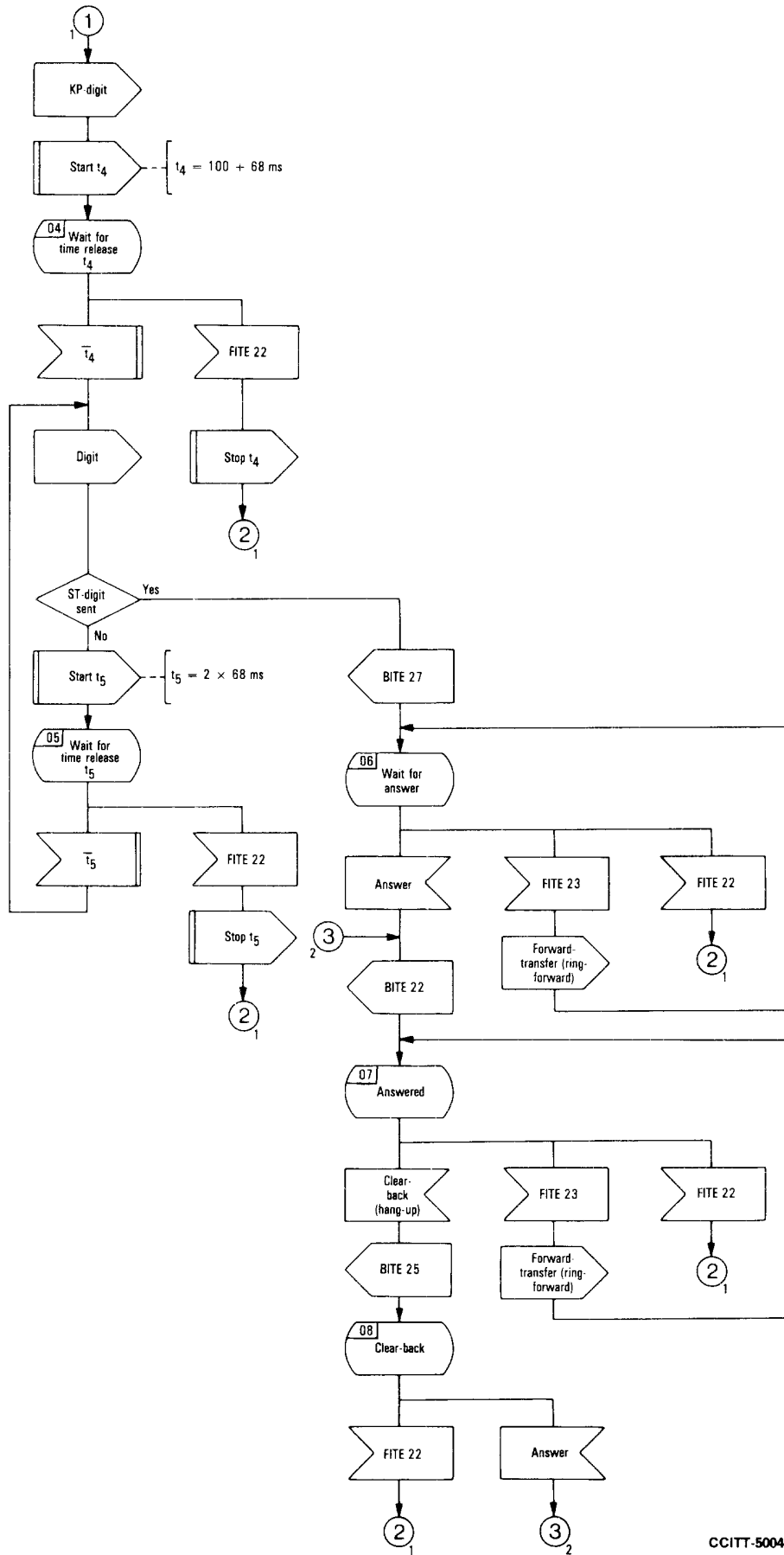
3

2

2

2

2,3



CCITT-50040

FIGURE 3/Q.625 (Sheet 2 of 2)
Outgoing Signalling System R1