



INTERNATIONAL TELECOMMUNICATION UNION

ITU-T

TELECOMMUNICATION
STANDARDIZATION SECTOR
OF ITU

Q.685

INTERWORKING OF SIGNALLING SYSTEMS

**LOGIC PROCEDURES FOR INTERWORKING
OF SIGNALLING SYSTEM R2 TO R1**

ITU-T Recommendation Q.685

(Extract from the *Blue Book*)

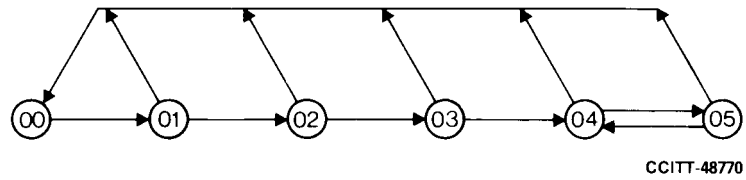
NOTES

1 ITU-T Recommendation Q.685 was published in Fascicle VI.6 of the *Blue Book*. This file is an extract from the *Blue Book*. While the presentation and layout of the text might be slightly different from the *Blue Book* version, the contents of the file are identical to the *Blue Book* version and copyright conditions remain unchanged (see below).

2 In this Recommendation, the expression “Administration” is used for conciseness to indicate both a telecommunication administration and a recognized operating agency.

Recommendation Q.685

LOGIC PROCEDURES FOR INTERWORKING OF SIGNALLING SYSTEM R2 TO R1



<i>State number</i>	<i>State description</i>	<i>Sheet reference</i>
00	Idle	1
01	Wait for address-complete	1
02	Wait for register deactivation	1
03	Wait for answer	1
04	Answered	1
05	Clear-back	1

FIGURE 1/Q.685
State overview diagram for interworking of Signalling System R2 to R1

Procedures not shown

Procedure P₁ is not described because no procedure is specified at present in the Signalling System R1 specifications.

FIGURE 2/Q.685
Notes to interworking of Signalling System R2 to R1

Connector reference

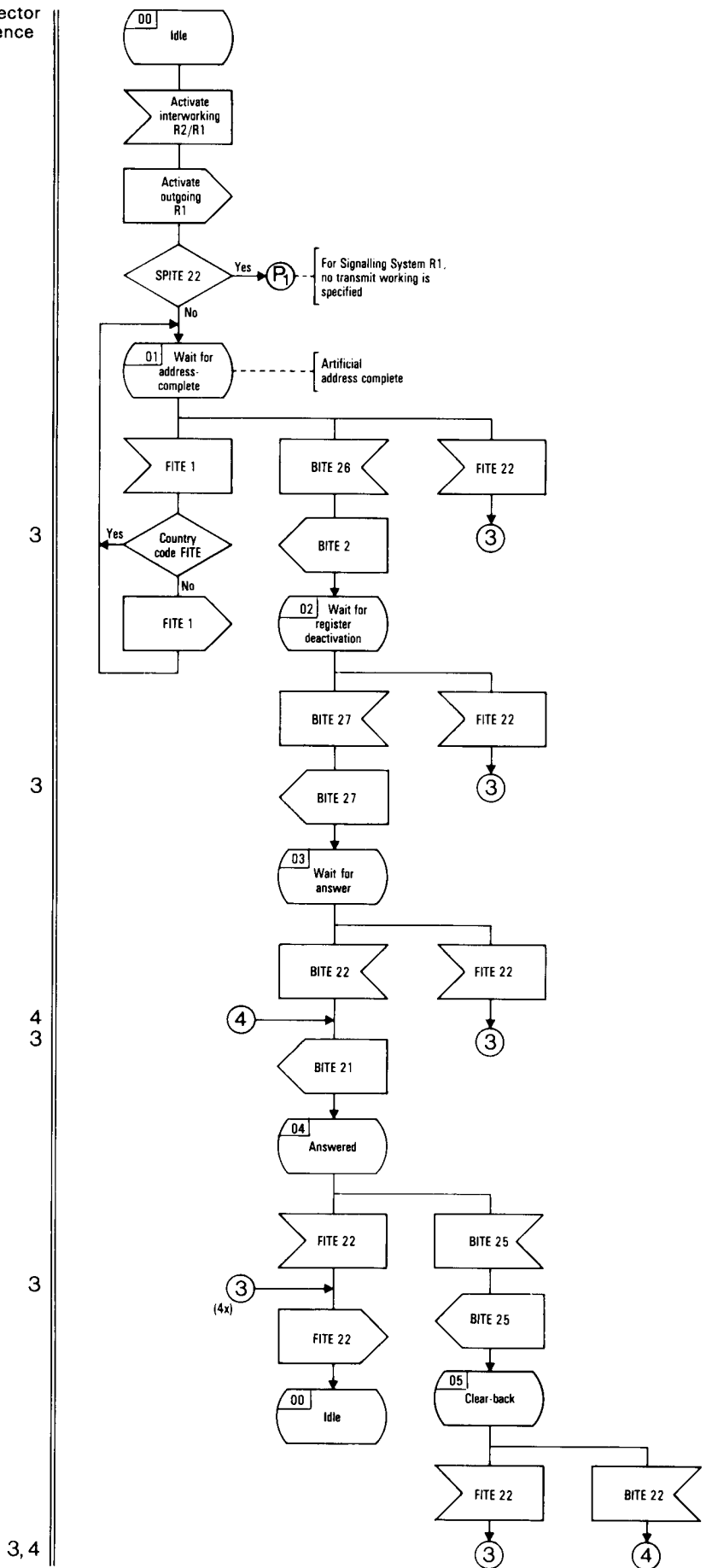


FIGURE 3/Q.685
Interworking of Signalling System R2 to R1

CCITT-50360