

**Superseded by a more recent version**



INTERNATIONAL TELECOMMUNICATION UNION

**ITU-T**

TELECOMMUNICATION  
STANDARDIZATION SECTOR  
OF ITU

**Q.764**

(09/97)

SERIES Q: SWITCHING AND SIGNALLING

Specifications of Signalling System No. 7 – ISDN user part

---

**Signalling System No. 7 – ISDN user part  
signalling procedures**

ITU-T Recommendation Q.764

Superseded by a more recent version

(Previously CCITT Recommendation)

---

# Superseded by a more recent version

## ITU-T Q-SERIES RECOMMENDATIONS

### SWITCHING AND SIGNALLING

SIGNALLING IN THE INTERNATIONAL MANUAL SERVICE	Q.1–Q.3
INTERNATIONAL AUTOMATIC AND SEMI-AUTOMATIC WORKING	Q.4–Q.59
FUNCTIONS AND INFORMATION FLOWS FOR SERVICES IN THE ISDN	Q.60–Q.99
CLAUSES APPLICABLE TO ITU-T STANDARD SYSTEMS	Q.100–Q.119
SPECIFICATIONS OF SIGNALLING SYSTEMS No. 4 AND No. 5	Q.120–Q.249
SPECIFICATIONS OF SIGNALLING SYSTEM No. 6	Q.250–Q.309
SPECIFICATIONS OF SIGNALLING SYSTEM R1	Q.310–Q.399
SPECIFICATIONS OF SIGNALLING SYSTEM R2	Q.400–Q.499
DIGITAL EXCHANGES	Q.500–Q.599
INTERWORKING OF SIGNALLING SYSTEMS	Q.600–Q.699
SPECIFICATIONS OF SIGNALLING SYSTEM No. 7	Q.700–Q.849
General	Q.700
Message transfer part (MTP)	Q.701–Q.709
Signalling connection control part (SCCP)	Q.711–Q.719
Telephone user part (TUP)	Q.720–Q.729
ISDN supplementary services	Q.730–Q.739
Data user part	Q.740–Q.749
Signalling System No. 7 management	Q.750–Q.759
<b>ISDN user part</b>	<b>Q.760–Q.769</b>
Transaction capabilities application part	Q.770–Q.779
Test specification	Q.780–Q.799
Q3 interface	Q.800–Q.849
DIGITAL SUBSCRIBER SIGNALLING SYSTEM No. 1	Q.850–Q.999
PUBLIC LAND MOBILE NETWORK	Q.1000–Q.1099
INTERWORKING WITH SATELLITE MOBILE SYSTEMS	Q.1100–Q.1199
INTELLIGENT NETWORK	Q.1200–Q.1999
BROADBAND ISDN	Q.2000–Q.2999

*For further details, please refer to ITU-T List of Recommendations.*

# **Superseded by a more recent version**

## **ITU-T RECOMMENDATION Q.764**

### **SIGNALLING SYSTEM No. 7 – ISDN USER PART SIGNALLING PROCEDURES**

#### **Summary**

This Recommendation describes the ISDN User Part signalling procedures of the set-up and clear down of national and international ISDN connections used for "ISUP'97". Actions common for all types of exchanges are described only once. Different or additional actions required in an exchange are specified in a separate subclause applicable to that type of exchange. The procedures specified in clause 2 relate to basic call (i.e. calls not involving supplementary services and IN).

#### **Source**

ITU-T Recommendation Q.764 was revised by ITU-T Study Group 11 (1997-2000) and was approved under the WTSC Resolution No. 1 procedure on the 12th of September 1997.

# Superseded by a more recent version

## FOREWORD

ITU (International Telecommunication Union) is the United Nations Specialized Agency in the field of telecommunications. The ITU Telecommunication Standardization Sector (ITU-T) is a permanent organ of the ITU. The ITU-T is responsible for studying technical, operating and tariff questions and issuing Recommendations on them with a view to standardizing telecommunications on a worldwide basis.

The World Telecommunication Standardization Conference (WTSC), which meets every four years, establishes the topics for study by the ITU-T Study Groups which, in their turn, produce Recommendations on these topics.

The approval of Recommendations by the Members of the ITU-T is covered by the procedure laid down in WTSC Resolution No. 1.

In some areas of information technology which fall within ITU-T's purview, the necessary standards are prepared on a collaborative basis with ISO and IEC.

## NOTE

In this Recommendation, the expression "Administration" is used for conciseness to indicate both a telecommunication administration and a recognized operating agency.

## INTELLECTUAL PROPERTY RIGHTS

The ITU draws attention to the possibility that the practice or implementation of this Recommendation may involve the use of a claimed Intellectual Property Right. The ITU takes no position concerning the evidence, validity or applicability of claimed Intellectual Property Rights, whether asserted by ITU members or others outside of the Recommendation development process.

As of the date of approval of this Recommendation, the ITU had not received notice of intellectual property, protected by patents, which may be required to implement this Recommendation. However, implementors are cautioned that this may not represent the latest information and are therefore strongly urged to consult the TSB patent database.

© ITU 1998

All rights reserved. No part of this publication may be reproduced or utilized in any form or by any means, electronic or mechanical, including photocopying and microfilm, without permission in writing from the ITU.

# Superseded by a more recent version

## CONTENTS

	<b>Page</b>
1	General..... 1
1.1	Scope..... 1
1.2	References..... 1
1.3	Definitions ..... 2
1.4	Abbreviations..... 2
2	Basic call control and signalling procedures ..... 3
2.1	Successful call set-up..... 4
2.1.1	Forward address signalling – <i>En bloc</i> operation ..... 4
2.1.2	Forward address signalling – Overlap operation..... 11
2.1.3	Calling party number ..... 17
2.1.4	Address complete message or connect message..... 18
2.1.5	Call progress (Basic call)..... 21
2.1.6	Information messages ..... 21
2.1.7	Answer message ..... 22
2.1.8	Continuity-check ..... 23
2.1.9	Charging ..... 24
2.1.10	Forward transfer message..... 24
2.1.11	Transit network selection (national use)..... 24
2.1.12	Simple segmentation..... 24
2.1.13	Procedure for $N \times 64$ kbit/s Connection Type..... 25
2.2	Unsuccessful call set-up ..... 26
2.2.1	Actions at exchange initiating a release message..... 26
2.2.2	Actions at intermediate exchange..... 27
2.2.3	Actions at the controlling exchange (i.e. the exchange controlling the call) ..... 27
2.2.4	Tones and announcements..... 27
2.2.5	Address incomplete ..... 28
2.3	Normal call release ..... 28
2.3.1	Release initiated by a calling party..... 28
2.3.2	Release initiated by a called party ..... 29
2.3.3	Release initiated by the network..... 29
2.3.4	Storage and release of initial address message information ..... 29
2.4	Suspend, resume ..... 30
2.4.1	Suspend..... 30
2.4.2	Resume ..... 30
2.4.3	Expiration of timer (T6) or timer (T38)..... 31
2.5	Signalling procedures for connection type allowing fallback ..... 31

# Superseded by a more recent version

	<b>Page</b>
2.5.1	Actions in the forward direction..... 31
2.5.2	Actions in the backward direction – fallback indicated before answer..... 33
2.5.3	Actions in the backward direction – fallback indicated at answer ..... 34
2.5.4	Actions in the backward direction – fallback does not occur..... 34
2.6	Propagation delay determination procedure ..... 34
2.6.1	Procedure ..... 35
2.7	Echo control signalling procedures ..... 37
2.7.1	Introduction ..... 37
2.7.2	Enhanced echo control signalling procedures ..... 37
2.7.3	Simple echo control signalling procedures..... 45
2.7.4	Interworking considerations ..... 47
2.8	Network features..... 47
2.8.1	Automatic repeat attempt..... 47
2.8.2	Blocking and unblocking of circuits and circuit groups..... 48
2.8.3	Circuit group query (national use)..... 51
2.9	Abnormal conditions..... 53
2.9.1	Dual seizure ..... 53
2.9.2	Transmission alarm handling for digital inter-exchange circuits ..... 54
2.9.3	Reset of circuits and circuit groups ..... 54
2.9.4	Failure in the blocking/unblocking sequence ..... 57
2.9.5	Receipt of unreasonable signalling information messages..... 57
2.9.6	Failure to receive a "release complete" message – Timer T1 and T5 ..... 69
2.9.7	Failure to receive a response to an information request message (national use)..... 69
2.9.8	Other failure conditions ..... 70
2.9.9	Temporary Trunk Blocking (TTB) (national use)..... 71
2.10	ISDN User Part signalling congestion control..... 72
2.10.1	General..... 72
2.10.2	Procedures ..... 72
2.11	Automatic congestion control..... 72
2.11.1	Receipt of a release message containing an automatic congestion level parameter ..... 72
2.11.2	Actions taken during overload..... 73
2.12	Unequipped circuit identification code message (national use) ..... 73
2.13	ISDN User Part availability control..... 74
2.13.1	General..... 74
2.13.2	Procedures ..... 74
2.14	MTP Pause/Resume ..... 74

# Superseded by a more recent version

	<b>Page</b>
2.15	Overlength messages ..... 75
2.16	Support for Temporary Alternative Routing (TAR)..... 75
2.17	Hop counter procedure..... 75
2.17.1	Actions at the initiating exchange ..... 75
2.17.2	Actions at an intermediate exchange ..... 76
2.17.3	Actions at the destination local exchange ..... 76
2.18	Call collect request procedure ..... 76
Annex A	..... 77
Annex B – Figures on basic call control signalling procedures.....	81
Annex C – Examples of echo control signalling procedures .....	85
C.0	Interworking model..... 86
C.1	Basic call set-up for the case where all exchanges support the enhanced echo control signalling procedures, and have echo control equipment available ..... 86
C.2	Call set-up incorporating multiple forwarding for the case where all exchanges support the enhanced echo control signalling procedures, and echo control equipment is not available in all exchanges ..... 87
C.3	Basic call set-up for the case where all exchanges support the enhanced echo control signalling procedures, and echo control equipment is not available in all exchanges..... 88
C.4	Interworking with signalling systems in the preceding network that do not support the enhanced echo control logic control signalling procedures..... 88
C.4.1	Interworking from the simple echo control signalling procedures..... 88
C.4.2	Interworking from Q.764 (1992 version) ..... 89
C.5	Interworking with signalling systems in the succeeding network that do not support the enhanced echo control logic signalling procedures ..... 90
C.5.1	Interworking to the simple echo control signalling procedures ..... 90
C.5.2	Interworking to Q.764 (1992 version)..... 91
C.6	Interworking between an exchange supporting the simple echo control signalling procedures and Q.764 (1992 version)..... 92
C.6.1	Interworking from an exchange supporting the simple echo control signalling procedures to Q.764 (1992 version) ..... 92
C.6.2	Interworking from an exchange using Q.764 (1992 version) to an exchange supporting the simple echo control signalling procedures ..... 93
C.7	Exchanges supporting the enhanced echo control signalling procedures interacting with intelligent network entities ..... 94
Annex D – Examples of signalling procedures for connection type allowing fallback.....	95

## Superseded by a more recent version

	<b>Page</b>
Annex E – Test calls .....	98
E.1 Called number for test calls .....	98
E.2 Accounting of test calls .....	98
Annex F – Cause values.....	98
Annex G – Start up procedures .....	98
G.1 Initial procedure for putting the first group of circuits into service .....	99
G.2 Initial procedure for putting additional circuits into service .....	100
G.3 Test procedures .....	100



# Superseded by a more recent version

## Recommendation Q.764

### SIGNALLING SYSTEM No. 7 – ISDN USER PART SIGNALLING PROCEDURES

(revised in 1997)

## 1 General

### 1.1 Scope

This Recommendation describes the ISDN User Part signalling procedures for the set-up and clear down of national and international ISDN connections. Actions common for all types of exchanges are described only once. Different or additional actions required in an exchange are specified in a separate subclause applicable to that type of exchange.

The procedures specified in clause 2 relate to basic call (i.e. calls not involving supplementary services).

Recommendation Q.761 [18] provides an overview of the signalling capabilities of the complete ISDN User Part (both basic and supplementary services).

NOTE – In international operation the use of *en bloc* or overlap signalling is based on bilateral agreements.

### 1.2 References

The following ITU-T Recommendations and other references contain provisions which, through reference in this text, constitute provisions of this Recommendation. At the time of publication, the editions indicated were valid. All Recommendations and other references are subject to revisions; all users of this Recommendation are therefore encouraged to investigate the possibility of applying the most recent edition of the Recommendations and other references listed below. A list of the currently valid ITU-T Recommendations is regularly published.

- [1] CCITT Recommendation D.390 R (1988), *Accounting system in the international automatic telephone service.*
- [2] CCITT Recommendation E.172 (1992), *ISDN routing plan.*
- [3] CCITT Recommendation G.131 (1988), *Stability and echo.*
- [4] CCITT Recommendation G.711 (1988), *Pulse Code Modulation (PCM) of voice frequencies.*
- [5] CCITT Recommendation Q.12 (1988), *Overflow – alternative routing – rerouting – automatic repeat attempt.*
- [6] CCITT Recommendation Q.33 (1988), *Protection against the effects of faulty transmission on groups of circuits.*
- [7] CCITT Recommendation Q.101 (1988), *Facilities provided in international semi-automatic working.*
- [8] CCITT Recommendation Q.107 (1988), *Standard sending sequence of forward address information.*
- [9] ITU-T Recommendation Q.115 (1997), *Logic for the control of echo control devices. (ISUP'97).*

## Superseded by a more recent version

- [10] ITU-T Recommendation Q.118 (1997), *Abnormal conditions special release arrangements.*
- [11] ITU-T Recommendation Q.542 (1993), *Digital exchange design objectives – Operations and maintenance.*
- [12] ITU-T Recommendation Q.543 (1993), *Digital exchange performance design objectives.*
- [13] ITU-T Recommendation Q.704 (1996), *Signalling network functions and messages.*
- [14] ITU-T Recommendation Q.706 (1993), *Message transfer part signalling performance.*
- [15] CCITT Recommendation Q.724 (1988), *Telephone user part signalling procedures.*
- [16] ITU-T Recommendation Q.730 (1997), *ISDN User Part supplementary services.*
- [17] Q.730-Series Recommendations, *Stage 3 description for ISDN supplementary services.*
- [18] ITU-T Recommendation Q.761 (1997), *Signalling System No. 7 – ISDN User Part, functional description.*
- [19] ITU-T Recommendation Q.763 (1997), *Signalling System No. 7 – ISDN User Part formats and codes.*
- [20] ITU-T Recommendation Q.766 (1993), *Performance objectives in the integrated services digital network application.*
- [21] CCITT Recommendation Q.767 (1991), *Application of the ISDN User Part of CCITT Signalling System No. 7 for international ISDN interconnections.*
- [22] ITU-T Recommendation Q.850 (1993), *Use of the cause and location in digital subscriber Signalling System No. 1 and Signalling System No. 7 ISDN user part.*
- [23] CCITT Recommendation E.412 (1992), *Network management controls.*
- [24] ITU-T Recommendation G.704 (1995), *Synchronous frame structures used at 1544, 6312, 2048, 8488 and 44 736 kbit/s hierarchical levels.*
- [25] ITU-T Recommendation E.141 (1993), *Instructions for operators on the operator-assisted international telephone service.*
- [26] ITU-T Recommendation Q.733.4 (1993), *Stage 3 description for call completion supplementary services using Signalling System No. 7 – Terminal Portability (TP).*
- [27] ITU-T Recommendation Q.731.7 (1997), *Stage 3 description for number identification supplementary services using Signalling System No. 7 – Malicious Call Identification (MCID).*

### 1.3 Definitions

For the purposes of this Recommendation, the following definition applies:

See Recommendation Q.761 [18].

### 1.4 Abbreviations

This Recommendation uses the following abbreviations.

CCR	Continuity Check Request
CQM	Circuit Group Query Message
CQR	Circuit Group Query Response Message
EC	Echo Control

## Superseded by a more recent version

ECD	Echo Control Device
ECIB	Echo Control Information Backward
ECIBA	Echo Control Information Backward, Additional (ECD availability)
ECIF	Echo Control Information Forward
ECIFA	Echo Control Information Forward, Additional (ECD availability)
ECRB	Echo Control Request Backward (OECD request/IECD request)
ECRF	Echo Control Request Forward (OECD request/IECD request)
IAM	Initial Address Message
IECD	Incoming Echo Control Device
INF	Information Message
INR	Information Request Message
ISDN	Integrated Services Digital Network
i.a.	Incoming Echo Control Device not included but available
i.i.	Incoming Echo Control Device included
i.n.a.	Incoming Echo Control Device not available
i.n.i.	Incoming Echo Control Device not included and not available
i.n.r.	Incoming Echo Control Device not requested
i.r.	Incoming Echo Control Device requested
MCID	Malicious Call Identification
MTP	Message Transfer Part
OECD	Outgoing Echo Control Device
o.a.	Outgoing Echo Control Device not included but available
o.i.	Outgoing Echo Control Device included
o.n.a.	Outgoing Echo Control Device not available
o.n.i.	Outgoing Echo Control Device not included and not available
o.n.r.	Outgoing Echo Control Device not requested
o.r.	Outgoing Echo Control Device requested
PCM	Pulse Code Modulation
SAM	Subsequent Address Message
TAR	Temporary Alternative Routing
TDMA	Time Division Multiple Access
TTB	Temporary Trunk Blocking

## 2 Basic call control and signalling procedures

Figures B.1 to B.4 show the ISDN call set-up sequences which are described below.

# Superseded by a more recent version

## 2.1 Successful call set-up

### 2.1.1 Forward address signalling – *En bloc* operation

#### 2.1.1.1 Actions required at the originating exchange

##### a) *Circuit selection*

When the originating exchange has received the complete selection information from the calling party, and has determined that the call is to be routed to another exchange, selection of a suitable, free, inter-exchange circuit takes place and an initial address message is sent to the succeeding exchange.

Appropriate routing information is either stored at the originating exchange or at a remote database to which a request may be made.

The selection of the route will depend on the called party number, connection type required and the network signalling capability required. This selection process may be performed at the exchange or with the assistance of the remote database.

In addition, in the case of a subscriber with digital access, the set-up message contains bearer capability information which is analysed by the originating exchange to determine the correct connection type and network signalling capability. The bearer capability information will be mapped into the user service information parameter of the initial address message. When the user teleservice information is present in the initial address message, it shall contain the high layer compatibility information. If two high layer compatibility information elements are received from the access, the second received information element, carrying the preferred HLC, is mapped into the user teleservice information parameter. The information received from the access interface is used to set the value of the transmission medium requirement parameter.

The connection types allowed are:

- speech;
- 3.1 kHz audio;
- 64 kbit/s unrestricted;
- 64 kbit/s unrestricted preferred;
- $2 \times 64$  kbit/s unrestricted;
- 384 kbit/s unrestricted;
- 1536 kbit/s unrestricted;
- 1920 kbit/s unrestricted;
- $N \times 64$  kbit/s unrestricted ( $N = 2-30$ ).

NOTE – The procedure assumes that Recommendation E.172 will at an appropriate time include routing rules for the transmission medium requirement parameter value " $N \times 64$  kbit/s unrestricted".

The network signalling capabilities allowed are:

- ISDN-User Part preferred;
- ISDN-User Part required;
- ISDN-User Part not required (any signalling system).

The information used to determine the routing of the call by the originating exchange will be included in the initial address message, (as transmission medium requirement and forward call indicators), to enable correct routing at intermediate exchanges. The initial address message conveys implicitly the meaning that the indicated circuit has been seized.

## Superseded by a more recent version

### b) *Address information sending sequence*

The sending sequence of address information on international calls will be the country code followed by the national (significant) number. On national connections, the address information may be the subscriber number or the national (significant) number as required by the Administration concerned. For calls to international operator positions (Code 11 and Code 12) refer to Recommendation Q.107 [8].

The end-of-pulsing (ST) signal will be used when ever the originating exchange is in a position to know by digit analysis that the final digit has been sent.

### c) *Initial address message*

The initial address message in principle contains all the information that is required to route the call to the destination exchange and connect the call to the called party.

If the initial address message would exceed the 272 octet limit for Message Transfer Part transfer, it shall be segmented by use of the segmentation message; see 2.1.12.

All initial address messages will include a protocol control indicator (in the forward call indicator parameter) and a transmission medium requirement parameter.

The originating exchange will set the parameters in the protocol control indicator and in the ISDN-User Part preference indicator to indicate:

- i) the type of end-to-end method that can be accommodated (see Recommendation Q.730 [16]);
- ii) the availability of Signalling System No. 7 signalling;
- iii) the use of the ISDN-User Part;
- iv) network signalling capability required, e.g. ISDN-User Part required all the way.

The ISDN-User Part preference indicator is set according to the bearer service, teleservice and supplementary service(s) requested. The exact setting depends on the service demand conditions and may be different depending on individual cases. In principle, if the service demand requires ISDN-User Part to be essential then the indicator is set to "required", if the service required is optional but preferred it is set to "preferred", otherwise it is set to "not required". The indicator is set to either "required" or "preferred", or "not required", according to the most stringent condition required by one or more of the parameters in the initial address message.

The nature of connection indicators are set appropriately based on the characteristics of the selected outgoing circuit.

The transmission medium requirement parameter contains the connection type required information, e.g. 3.1 kHz audio.

The propagation delay counter is included according to 2.6.

The originating exchange may also include in the initial address message:

- i) a call reference (including the point code of the originating exchange) to enable the destination exchange to establish an end-to-end connection (see Recommendation Q.730 [16]);
- ii) the calling party number if this is to be passed forward without being requested. The calling partynumber could contain Code 11 or 12 if the call is from an international operator;
- iii) an SCCP connection request parameter (see Recommendation Q.730 [16]); and
- iv) other information related to supplementary services and network utilities.

The initial address message can contain an access transport parameter.

## Superseded by a more recent version

d) *Completion of transmission path*

Through connection of the transmission path will be completed in the backward direction (the transmission path is completed in the forward direction on receipt of a connect or answer message) at the originating exchange immediately after the sending of the initial address message, except in those cases where conditions on the outgoing circuit prevent it (see clause 7/Q.724 [15]).

It is also acceptable that on speech or 3.1 kHz audio calls, through-connection of the transmission path will be completed in both directions immediately after the initial address message has been sent, except in those cases where conditions on the outgoing circuit prevent it (see clause 7/Q.724 [15]).

e) *Network protection timer*

When the originating exchange has sent the Initial Address Message the awaiting address complete timer (T7) is started. If timer (T7) expires the connection is released and an indication is returned to the calling subscriber.

### 2.1.1.2 Actions required at an intermediate national exchange

a) *Circuit selection*

An intermediate national exchange, on receipt of an initial address message, will analyse the called party number and the other routing information [see 2.1.1.1 a)] to determine the routing of the call. If the intermediate national exchange can route the call using the connection type specified in the transmission medium requirement parameter, a free inter-exchange circuit is seized and an initial address message is sent to the succeeding exchange. Within a network if the intermediate national exchange does not route the call using just the connection type specified in the transmission medium requirement parameter, the exchange may also examine the user service information containing the bearer capability information and/or the user teleservice information containing the high layer compatibility information, if available, to determine if a suitable route can be selected. In this case if a new connection type is provided the transmission medium requirement parameter is modified to the new connection type.

b) *Parameters in the initial address message*

An intermediate national exchange may modify signalling information received from the preceding exchange according to the capabilities used on the outgoing route. Signalling information that may be changed are nature of connection indicator and propagation delay counter. Other signalling information is passed on transparently, e.g. the access transport parameter, user service information, etc. The order of information elements carried in the access transport parameter received from the incoming exchange shall be retained.

The satellite indicator in the nature of connection parameter should be incremented if the selected outgoing circuit is a satellite circuit. Otherwise, the indicator is passed on unchanged.

c) *Completion of transmission path*

Through-connection of the transmission path in both directions will be completed at an intermediate national exchange immediately after the initial address message has been sent, except in those cases where conditions on the outgoing circuit prevent it (see clause 7/Q.724 [15]).

## Superseded by a more recent version

### 2.1.1.3 Actions required at an outgoing international exchange

#### a) *Circuit selection*

An outgoing international exchange, on receipt of an initial address message, will analyse the called party number and the other routing information [see 2.1.1.1 a)] to determine the routing of the call. If the outgoing international exchange can route the call using the connection type specified in the transmission medium requirement parameter, a free inter-exchange circuit is seized and an initial address message is sent to the succeeding exchange.

If the outgoing international exchange cannot trust that the transmission medium requirement value received from the national network reflects the minimum value of the information transfer susceptance, then the transmission medium requirement value may be modified according to the contents of the information transfer capability and information transfer rate fields of the user service information parameter (if available).

The outgoing international exchange must ensure that the transmission medium requirement parameter is set according to the service requested by the customer (see Recommendation E.172 [2]). More specifically this parameter is carried unchanged within the international network.

#### b) *Parameters in the initial address message*

An outgoing international exchange may modify signalling information received from the preceding exchange according to the capabilities used on the outgoing route. Signalling information that may be changed are nature of connection indicator and propagation delay counter; the most significant digits in the called party number may be amended or omitted (country code is removed at the last exchange before the incoming international exchange). Other signalling information is passed on transparently, e.g. the access transport parameter, user service information, etc. The order of information elements carried in the access transport parameter received from the incoming exchange shall be retained.

If the outgoing international exchange belongs to a country using  $\mu$ -law PCM encoding nationally and the transmission medium requirement indicates speech or 3.1 kHz audio then the user information layer 1 protocol identification field of the user service information parameter must be checked, if it indicates "Recommendation G.711 [4]  $\mu$ -law" this must be changed to "Recommendation G.711 [4] A-law" and a  $\mu$ -law to A-law convertor must be enabled.

The satellite indicator in the nature of connection parameter should be incremented if the selected outgoing circuit is a satellite circuit. Otherwise, the indicator is passed on unchanged.

The outgoing international gateway exchange should include the origination ISC point code parameter in the initial address message. This information is used for statistical purposes, e.g. accumulation of the number of incoming calls on an originating international switching centre basis.

If a location number parameter is received, the nature of address indicator is checked. If the nature of address indicator is set to "international number" then the parameter is passed unchanged, otherwise the number is modified to the international number format and the nature of address is set to "international number" before being passed.

The end-of-pulsing (ST) signal will be used whenever the outgoing exchange is in a position to know by digit analysis that the final digit has been sent.

## Superseded by a more recent version

- c) *Completion of transmission path*

Through-connection of the transmission path in both directions will be completed at an outgoing international exchange immediately after the initial address message has been sent, except in those cases where conditions on the outgoing circuit prevent it (see clause 7/Q.724 [15]).
- d) *Network protection timer*

When an outgoing international exchange has sent the initial address message the awaiting address complete timer (T7) is started. If timer (T7) expires the connection is released and an indication is returned to the calling subscriber.

### 2.1.1.4 Actions required at an intermediate international exchange

- a) *Circuit selection*

An intermediate international exchange, on receipt of an initial address message, will analyse the called party number and the other routing information [see 2.1.1.1 a)] to determine the routing of the call. If the intermediate international exchange can route the call using the connection type specified in the transmission medium requirement parameter, a free inter-exchange circuit is seized and an initial address message is sent to the succeeding exchange.
- b) *Parameters in the initial address message*

An intermediate international exchange may modify signalling information received from the preceding exchange according to the capabilities used on the outgoing route. Signalling information that may be changed are nature of connection indicator and propagation delay counter; the most significant digits in the called party number may be amended or omitted (country code is removed at the last exchange before the incoming international exchange). Other signalling information is passed on transparently, e.g. the access transport parameter, user service information, etc. The order of information elements carried in the access transport parameter received from the incoming exchange shall be retained.

The satellite indicator in the nature of connection parameter should be incremented if the selected outgoing circuit is a satellite circuit. Otherwise, the indicator is passed on unchanged.
- c) *Completion of transmission path*

Through-connection of the transmission path in both directions will be completed at an intermediate international exchange immediately after the initial address message has been sent, except in those cases where conditions on the outgoing circuit prevent it (see clause 7/Q.724 [15]).
- d) *Network protection timer*

When an intermediate international exchange has sent the initial address message the awaiting address complete timer (T7) is started. If timer (T7) expires the connection is released and an indication is returned to the calling subscriber.

### 2.1.1.5 Actions required at an incoming international exchange

- a) *Circuit selection*

An incoming international exchange, on receipt of an initial address message, will analyse the called party number and the other routing information [2.1.1.1 a)] to determine the routing of the call. If the incoming international exchange can route the call using the connection type specified in the transmission medium requirement parameter, a free



## Superseded by a more recent version

inter-exchange circuit is seized and an initial address message is sent to the succeeding exchange.

### b) *Parameters in the initial address message*

An incoming international exchange may modify signalling information received from the preceding exchange according to the capabilities used on the outgoing route. Signalling information that may be changed are nature of connection indicator and propagation delay counter. Other signalling information is passed on transparently, e.g. the access transport parameter, user service information, etc. The order of information elements carried in the access transport parameter received from the incoming exchange shall be retained.

The satellite indicator in the nature of connection parameter should be incremented if the selected outgoing circuit is a satellite circuit. Otherwise, the indicator is passed on unchanged.

If the incoming international exchange belongs to a country using  $\mu$ -law PCM encoding nationally and the transmission medium requirement indicates speech or 3.1 kHz audio then the user information layer 1 protocol identification field of the user service information parameter must be checked, if it indicates "Recommendation G.711 [4] A-law" this must be changed to "Recommendation G.711 [4]  $\mu$ -law" and a  $\mu$ -law to A-law converter must be enabled.

The incoming international gateway exchange should delete the origination ISC point code parameter from the initial address message and set up a connection to the national network. This information is used for statistical purposes, e.g. accumulation of the number of incoming calls on an originating international switching centre basis.

### c) *Completion of transmission path*

Through-connection of the transmission path in both directions will be completed at an incoming international exchange immediately after the initial address message has been sent, except in those cases where conditions on the outgoing circuit prevent it (see clause 7/Q.724 [15]).

### d) *Network protection timer*

When an incoming international exchange has sent the initial address message the awaiting address complete timer (T7) is started. If timer (T7) expires the connection is released and an indication is returned to the calling subscriber.

## 2.1.1.6 Actions required at the destination exchange

### a) *Selection of called party*

Upon receipt of an initial address message the destination exchange will analyse the called party number to determine to which party the call should be connected. It will also check the called party's line condition and perform various checks to verify whether or not the connection is allowed. These checks will include correspondence of compatibility checks, e.g. checks associated with supplementary services.

In this case where the connection is allowed, the destination exchange will set up a connection to the called party. If a continuity check has to be performed on one or more of the circuits involved in a connection, setting up of the connection to the called party must be prevented until the continuity of such circuits has been verified.

### b) *Segmented initial address message*

If the initial address message had been segmented by the use of the segmentation message; the remainder of the call set-up information is awaited; see 2.1.12.

# Superseded by a more recent version

## 2.1.1.7 Called party number for operator calls

International gateways should support access to operators equipment as specified in Recommendation Q.101 [7].

The sending sequence of specific forward address information to be sent for calls to operators (incoming, delay or particular delay operator) is shown below. The other parameters of the initial address message are coded as the ones for an automatic call initial address message (e.g. nature of connection indicators, transmission medium requirement, etc.).

### 2.1.1.7.1 International transit operator call

i) Called party number:

- Nature of address indicator: "0000100" international number.
- Address:
  - country code: I1, I1I2, I1I2I3;
  - extra digit designating the incoming international exchange N1 (Note 1);
  - access to operator's position: Code 11 or Code 12 or special number (Note 2);
  - number of a particular position: x1(x2x3...);
  - sending finished: ST.

NOTE 1 – The extra digit (N1) designating the incoming international exchange is used in cases where more than one incoming international exchange can be reached in the country of destination. The insertion of the extra digit is not mandatory (see Recommendation Q.107 [8]).

NOTE 2 – The incoming operator or the delay operator may be obtained by using a special number (see Recommendation Q.101 [7]).

ii) Calling party category:

- "00000001" operator, language French;
- "00000010" operator, language English;
- "00000011" operator, language German;
- "00000100" operator, language Russian;
- "00000101" operator, language Spanish.

### 2.1.1.7.2 International terminal operator call

i) Called party number:

- Nature of address indicator: "0000011" national (significant) number.
- Address:
  - extra digit designating the incoming international exchange N1 (Note 1 in 2.1.1.7.1);
  - access to operator's position: Code 11 or Code 12 or special number (Note 2 in 2.1.1.7.1);
  - number of a particular position: x1(x2x3...);
  - sending finished: ST.

ii) Calling party category:

- "00000001" operator, language French;
- "00000010" operator, language English;
- "00000011" operator, language German;
- "00000100" operator, language Russian;

# Superseded by a more recent version

"00000101" operator, language Spanish.

## 2.1.1.8 Called number for calls to testing and measuring devices

This subclause only describes the standard sending sequence of forward address information in the case of calls to testing and measuring devices.

- i) Called party number:
  - Nature of address indicator: "0000011" national (significant) number.
  - Address:
    - access code for particular testing or measuring device: XY (as given in Recommendation Q.107 [8]);
    - sending finished: ST.

- ii) Calling party category:

"00001101" test call.

NOTE – The principles in Recommendation Q.107 [8] are not always applicable to the international network.

## 2.1.2 Forward address signalling – Overlap operation

### 2.1.2.1 Actions required at the originating exchange

- a) *Circuit selection*

When the originating exchange has received sufficient information [see 2.1.2.1 c)] from the calling party to determine that the call is to be routed to another exchange, selection of a suitable, free, inter-exchange circuit takes place and an initial address message is sent to the succeeding exchange.

Appropriate routing information is either stored at the originating exchange or at a remote database to which a request may be made.

The selection of the route will depend on the called party number, connection type required and the network signalling capability required. This selection process may be performed at the exchange or with the assistance of a remote database.

In addition, in the case of a subscriber with digital access, the set-up message contains bearer capability information which is analysed by the originating exchange to determine the correct connection type and network signalling capability. The bearer capability information will be mapped into the user service information parameter of the initial address message. When the user teleservice information is present in the initial address message, it shall contain the high layer compatibility information. If two high layer compatibility information elements are received from the access, the second received information element, carrying the preferred HLC, is mapped into the user teleservice information parameter. The information received from the access interface is used to set the value of the transmission medium requirement parameter.

The connection types allowed are:

- speech;
- 3.1 kHz audio;
- 64 kbit/s unrestricted;
- 64 kbit/s unrestricted preferred;
- 2 × 64 kbit/s unrestricted;

## Superseded by a more recent version

- 384 kbit/s unrestricted;
- 1536 kbit/s unrestricted;
- 1920 kbit/s unrestricted;
- $N \times 64$  kbit/s unrestricted ( $N = 2-30$ ).

NOTE – The procedure assumes that Recommendation E.172 will at an appropriate time include routing rules for the transmission medium requirement parameter value " $N \times 64$  kbit/s unrestricted".

The network signalling capabilities allowed are:

- ISDN-User Part preferred;
- ISDN-User Part required;
- ISDN-User Part not required (any signalling system).

The information used to determine the routing of the call by the originating exchange will be included in the IAM, (as transmission medium requirement and forward call indicators), to enable correct routing at intermediate exchanges. The initial address message conveys implicitly the meaning that the indicated circuit has been seized.

### b) *Address information sending sequence*

The sending sequence of address information on international calls will be the country code followed by the national (significant) number. On national connections, the address information may be the subscriber number or the national (significant) number as required by the Administration concerned. For calls to international operator positions (Code 11 and Code 12) refer to Recommendation Q.107 [8].

The end-of-pulsing (ST) signal will be used whenever the originating exchange is in a position to know by digit analysis that the final digit has been sent.

### c) *Content of initial and subsequent address messages*

The initial and subsequent address messages in principle contain all of the information that is required to route the call to the destination exchange and connect the call to the called party. The contents of the initial address message is the same as described in 2.1.1.1 c). The only purpose of the subsequent address message is to carry further digits.

If the initial address message would exceed the 272 octet limit for Message Transfer Part transfer, it shall be segmented by use of the segmentation message; see 2.1.12.

Within national networks the address information contained within the initial address message may vary depending on the routing requirement within the network.

The remaining digits of the number may be sent in subsequent address messages containing one or several digits as they are received. Efficiency can be gained by grouping together as many digits as possible. However, to prevent an increase in post sending delay in those cases where overlap operation with subscribers' dialling is used, it may be desirable to send the last few digits individually.

The end-of-pulsing (ST) signal is always sent in the following situations:

- i) semi-automatic calls;
- ii) test calls; and
- iii) when the end-of-pulsing (ST) signal is received.

In automatic working, the end-of-pulsing (ST) signal will be sent whenever the originating exchange is in a position to know, by digit analysis, that the final digit has been sent. Digit analysis may consist of an examination of the country code and counting the maximum (or fixed) number of digits of the national number. In other cases, the end-of-pulsing signal is

## Superseded by a more recent version

not sent and the end-of-address information is determined by the receipt of the address complete message or connect message from the incoming exchange.

### d) *Completion of transmission path*

Through-connection of the transmission path in the backward direction (the transmission path is completed in the forward direction on receipt of connect or answer message) at the originating exchange will be completed except in the cases where conditions on the outgoing circuit prevent it (see clause 7/Q.724 [15]):

- i) immediately after the sending of the initial address message; or
- ii) when digit analysis or timer (T10), or receipt of the address complete message indicates that all digits have been received. It is also acceptable that on speech or 3.1 kHz audio calls, through-connection of the transmission path will be completed in both directions immediately after the initial address message has been sent, except in the cases where conditions on the outgoing circuit prevent it (see clause 7/Q.724 [15]).

### e) *Network protection timer*

Each time when the originating exchange has sent an address message the awaiting address complete timer (T7) is started. If timer (T7) expires the connection is released and an indication is sent to the calling subscriber.

## 2.1.2.2 Actions required at an intermediate national exchange

### a) *Circuit selection*

An intermediate national exchange, on receipt of an initial address message, will analyse the digits available and the other routing information [see 2.1.2.1 a)] to determine the routing of the call. If the intermediate national exchange can route the call using the connection type specified in the transmission medium requirement parameter, a suitable free inter-exchange circuit is seized and an initial address message is sent to the succeeding exchange. If the number of digits in the called party number is not sufficient to route the call the routing will be carried out when the intermediate national exchange has received additional digits in subsequent address message(s). Any address digits received in subsequent address messages during the circuit selection process may be included in this initial address message. Any subsequent address messages received after the initial address message has been sent are forwarded to the succeeding exchange as subsequent address message(s).

Within the network if the intermediate national exchange does not route the call just using the connection type specified in the transmission medium requirement parameter, the exchange may also examine the user service information containing the bearer capability information and/or the user teleservice information containing the high layer compatibility information, if available, to determine if a suitable route can be selected. In this case the transmission medium requirement parameter is modified to the new connection type.

### b) *Parameters in the initial address message*

An intermediate national exchange may modify signalling information received from the preceding exchange according to the capabilities used on the outgoing route. Signalling information that may be changed are nature of connection indicator and propagation delay counter. Other signalling information is passed on transparently, e.g. the access transport parameter, user service information, etc. The order of information elements carried in the access transport parameter received from the incoming exchange shall be retained.

The satellite indicator in the nature of connection parameter should be incremented if the selected outgoing circuit is a satellite circuit. Otherwise, the indicator is passed on unchanged.

## Superseded by a more recent version

### c) *Completion of transmission path*

Through-connection of the transmission path in both directions will be completed at an intermediate national exchange immediately after the initial address message has been sent, except in those cases where conditions on the outgoing circuit prevent it (see clause 7/Q.724 [15]).

### 2.1.2.3 Actions required at an outgoing international exchange

#### a) *Circuit selection*

An outgoing international exchange, on receipt of an initial address message, will analyse the digits available and the other routing information [see 2.1.2.1 a)] to determine the routing of the call. If the outgoing international exchange can route the call using the connection type specified in the transmission medium requirement parameter, a suitable free inter-exchange circuit is seized and an initial address message is sent to the succeeding exchange. All digits required for routing the call through the international network will be sent in the initial address message. On calls with a country code in the number (except in the case of calls to special operators), the initial address message will contain a minimum of 4 digits and should contain as many digits as are available. If the number of digits in the called party number is not sufficient to route the call the routing will be carried out when the outgoing international exchange has received additional digits in subsequent address message(s). Any address digits received in subsequent address messages during the circuit selection process may be included in this initial address message. Any subsequent address messages received after the initial address message has been sent, are forwarded to the succeeding exchange as subsequent address message(s).

If the outgoing international exchange cannot trust that the transmission medium requirement value received from the national network reflects the minimum value of the information transfer susceptance, then the transmission medium requirement value may be modified according to the contents of the information transfer capability and information transfer rate fields of the user service information parameter (if available).

The outgoing international exchange must ensure that the transmission medium requirement parameter is set according to the service requested by the customer (see Recommendation E.172 [2]). More specifically this parameter is carried unchanged within the international network.

#### b) *Parameters in the initial address message*

An outgoing international exchange may modify signalling information received from the preceding exchange according to the capabilities used on the outgoing route. Signalling information that may be changed are nature of connection indicator and propagation delay counter; the most significant digits in the called party number may be amended or omitted (country code is removed at the last exchange before the incoming international exchange). Other signalling information is passed on transparently, e.g. the access transport parameter, user service information, etc. The order of information elements carried in the access transport parameter received from the incoming exchange shall be retained.

In automatic working, the end-of-pulsing (ST) signal will be sent whenever the outgoing international exchange is in a position to know, by digit analysis, that the final digit has been sent. Digit analysis may consist of an examination of the country code and counting the maximum (or fixed) number of digits of the national number. In other cases, the end-of-pulsing signal is not sent and the end-of-address information is determined by the receipt of the address complete message or connect message from the incoming exchange.

## Superseded by a more recent version

If the outgoing international exchange belongs to a country using  $\mu$ -law PCM encoding nationally and the transmission medium requirement indicates speech or 3.1 kHz audio, then the user information layer 1 protocol identification field of the user service information parameter must be checked, if it indicates "Recommendation G.711 [4]  $\mu$ -law" this must be changed to "Recommendation G.711 [4] A-law" and a  $\mu$ -law to A-law convertor must be enabled.

The satellite indicator in the nature of connection parameter should be incremented if the selected outgoing circuit is a satellite circuit. Otherwise, the indicator is passed on unchanged.

The outgoing international gateway exchange should include the origination ISC point code parameter in the initial address message. This information is used for statistical purposes, e.g. accumulation of the number of incoming calls on an originating international switching centre basis.

c) *Completion of transmission path*

Through-connection of the transmission path in both directions will be completed at an outgoing international exchange immediately after the initial address message has been sent, except in those cases where conditions on the outgoing circuit prevent it (see clause 7/Q.724 [15]).

d) *Network protection timer*

Each time when an outgoing international exchange has sent an address message the awaiting address complete timer (T7) is started. If timer (T7) expires the connection is released and an indication is returned to the calling subscriber.

### 2.1.2.4 Actions required at an intermediate international exchange

a) *Circuit selection*

An intermediate international exchange, on receipt of an initial address message, will analyse the digits available and the other routing information [see 2.1.2.1 a)] to determine the routing of the call. If the intermediate international exchange can route the call using the connection type specified in the transmission medium requirement parameter, a suitable free inter-exchange circuit is seized and an initial address message is sent to the succeeding exchange. If the number of digits in the called party number is not sufficient to route the call the routing will be carried out when the intermediate international exchange has received additional digits in subsequent address message(s). Any address digits received in subsequent address messages during the circuit selection process may be included in this Initial address message. Any subsequent address messages received after the initial address message has been sent, are forwarded to the succeeding exchange as subsequent address message(s).

b) *Parameters in the initial address message*

An intermediate international exchange may modify signalling information received from the preceding exchange according to the capabilities used on the outgoing route. Signalling information that may be changed are nature of connection indicator and propagation delay counter; the most significant digits in the called party number may be amended or omitted (country code is removed at the last exchange before the incoming international exchange). Other signalling information is passed on transparently, e.g. the access transport parameter, user service information, etc. The order of information elements carried in the access transport parameter received from the incoming exchange shall be retained.

## Superseded by a more recent version

The satellite indicator in the nature of connection parameter should be incremented if the selected outgoing circuit is a satellite circuit. Otherwise, the indicator is passed on unchanged.

c) *Completion of transmission path*

Through-connection of the transmission path in both directions will be completed at an intermediate international exchange immediately after the initial address message has been sent, except in those cases where conditions on the outgoing circuit prevent it (see clause 7/Q.724).

d) *Network protection timer*

Each time when an intermediate international exchange has sent an address message the awaiting address complete timer (T7) is started. If timer (T7) expires the connection is released and an indication is returned to the calling subscriber.

### 2.1.2.5 Actions required at an incoming international exchange

a) *Circuit selection*

An incoming international exchange, on receipt of an initial address message, will analyse the digits available and the other routing information [see 2.1.2.1 a)] to determine the routing of the call. If the incoming international exchange can route the call using the connection type specified in the transmission medium requirement parameter a suitable free inter-exchange circuit is seized and an initial address message is sent to the succeeding exchange. If the number of digits in the called party number is not sufficient to route the call, the routing will be carried out when the incoming international exchange has received additional digits in subsequent address message(s). Any address digits received in subsequent address messages during the circuit selection process may be included in this initial address message. Any subsequent address messages received after the initial address message has been sent are forwarded to the succeeding exchange as subsequent address message(s).

Selection of the outgoing national circuit normally can start at an incoming international exchange on receipt of the initial address message and signalling can proceed on the first national link.

b) *Parameters in the initial address message*

An incoming international exchange may modify signalling information received from the preceding exchange according to the capabilities used on the outgoing route. Signalling information that may be changed are nature of connection indicator and propagation delay counter. Other signalling information is passed on transparently, e.g. the access transport parameter, user service information, etc. The order of information elements carried in the access transport parameter received from the incoming exchange shall be retained.

If the incoming international exchange belongs to a country using  $\mu$ -law PCM encoding nationally and the transmission medium requirement indicates speech or 3.1 kHz audio then the user information layer 1 protocol identification field of the user service information parameter must be checked, if it indicates "Recommendation G.711 [4] A-law" this must be changed to "Recommendation G.711 [4]  $\mu$ -law" and a  $\mu$ -law to A-law converter must be enabled.

The satellite indicator in the nature of connection parameter should be incremented if the selected outgoing circuit is a satellite circuit. Otherwise, the indicator is passed on unchanged.



## Superseded by a more recent version

Incoming international gateway exchanges may delete the origination ISC point code parameter in the initial address message and set up a connection to the national network. This information is used for statistical purposes, e.g. accumulation of the number of incoming calls on an originating international switching centre basis.

c) *Completion of transmission path*

Through-connection of the transmission path in both directions will be completed at an incoming international exchange immediately after the initial address message has been sent, except in those cases where conditions on the outgoing circuit prevent it (see clause 7/Q.724 [15]).

d) *Network protection timer*

Each time when an incoming international exchange has sent an address message the awaiting address complete timer (T7) is started. If timer (T7) expires the connection is released and an indication is returned to the calling subscriber.

### 2.1.2.6 Actions required at the destination exchange

a) *Selection of called party*

Upon the receipt of the sufficient called party number information the destination exchange will analyse the called party number to determine to which party the call should be connected. It will also check the called party's line condition and perform various checks, to verify whether or not the connection is allowed. These checks will include correspondence of compatibility checks, e.g. checks associated with supplementary services.

In the case where the connection is allowed, the destination exchange will set up a connection to the called party. If a continuity check has to be performed on one or more of the circuits involved in a connection, setting up of the connection to the called party must be prevented until the continuity of such circuits has been verified.

b) *Segmented initial address message*

If the initial address message had been segmented by the use of the segmentation message, the remainder of the call set-up information is awaited; see 2.1.12.

### 2.1.2.7 Called party number for operator calls

See 2.1.1.7.

### 2.1.2.8 Called number for calls to testing and measuring devices

See 2.1.1.8.

### 2.1.3 Calling party number

a) *International network*

The calling party number can only be included in the initial address message [see 2.1.1.1 c) and 2.1.2.1 c)].

b) *National networks*

The calling party number can either be included in the initial address message [see 2.1.1.1 c) and 2.1.2.1 c)] or requested by the destination exchange (see 2.1.6). If the calling party number is required at the destination exchange but is not included in the initial address message, the destination exchange may request the calling party number. The destination exchange will investigate the presence/absence of the calling party number parameter to determine whether a request is useful or not. Further it may be necessary to withhold the

## Superseded by a more recent version

sending of the address complete message until the calling party number has been successfully delivered.

### 2.1.4 Address complete message or connect message

If the address complete or connect messages would exceed the 272 octet limit for Message Transfer Part transfer, it shall be segmented by use of the segmentation message; see 2.1.12.

#### 2.1.4.1 Actions required at the destination exchange

- i) An address complete message will be sent from the destination exchange as soon as it has been determined that the complete called party number has been received, or an indication received from the called party that an in-band tone is being connected (for this case, see 2.1.5 and 2.2.4). However there is no direct mapping from alerting, received from the access signalling system, to address complete in the network. In the case that the continuity check is performed the destination exchange will withhold sending the address complete message until a successful continuity indication has been received (see clause 7/Q.724 [15]).

Address complete is sent from the destination exchange in the following conditions:

- 1) In the case where the terminating access is non-ISDN the following action takes place at the destination exchange:
    - a) In all cases an address complete message is sent as soon as it has been determined that the complete called party number has been received, and the destination exchange established that the subscriber is free. Indicators in the address complete message will be set to indicate:
      - called line status: "Subscriber free".
      - ISDN access indicator: "Non-ISDN".
    - b) In the case of a PBX an address complete message is sent as soon as it has been determined that the called party number has been received. Indicators in the address complete message will be set to indicate:
      - called line status: "No indication".
      - ISDN access indicator: "Non-ISDN".
  - 2) In the case where the terminating access is ISDN, the following conditions can apply:
    - a) If an indication that the address is complete or no status indication has been received from the ISDN access prior to the destination exchange determining that the complete called party number has been received, the indicators in the address complete message will be set as follows:
      - called line status: "No indication".
      - ISDN access indicator: "ISDN".

NOTE – In case a) the indication that the destination user is being alerted is transferred in a call progress message (see 2.1.5).
    - b) The destination exchange concludes from the receipt of an indication from the ISDN access that the complete called party number has been received. In this case the indicators in the address complete message will be set as follows:
      - called line status: "Subscriber free".
      - ISDN access indicator: "ISDN".
- ii) If a connect indication is received from the ISDN access under the following conditions:
  - no alerting indication received from the ISDN access; and

## Superseded by a more recent version

- an address complete message has not yet been sent by the destination exchange, a connect message is sent by the destination exchange. This connect message signifies both address complete and answer conditions. Indicators in the connect message will indicate:
  - called line status: "Subscriber free".
  - ISDN access indicator: "ISDN".

The destination exchange will through connect before the connect message is sent.

Call history information is included in the connect message.

### 2.1.4.2 Actions required at an intermediate national exchange

Upon receipt of an address complete message an intermediate national exchange will send the corresponding address complete message to the preceding exchange, and if this is the exchange controlling charging, the awaiting answer timer T9 is started. If timer (T9) expires, the connection is released and an indication is sent to the calling subscriber.

If a connect message is received at an intermediate national exchange instead of an address complete message, a connect message will be sent to the preceding exchange.

### 2.1.4.3 Actions required at an outgoing international exchange

Upon receipt of an address complete message, the awaiting address complete timer (T7) is stopped and the awaiting answer timer (T9) is started. If timer (T9) expires, the connection is released and an indication is sent to the calling subscriber.

If the connect message is received, then the awaiting address complete timer (T7) is stopped.

See also 2.1.4.2.

### 2.1.4.4 Actions required at an intermediate international exchange

Upon receipt of an address complete or connect message, the awaiting address complete timer (T7) is stopped.

See also 2.1.4.2.

### 2.1.4.5 Actions required at an incoming international exchange

Upon receipt of an address complete or connect message, the awaiting address complete timer (T7) is stopped.

See also 2.1.4.2.

### 2.1.4.6 Actions required at the originating exchange

- a) On receipt of an address complete message with the called line status indicator set to "subscriber free" an alerting indication is passed to the calling party if possible.
- b) On receipt of the address complete message the awaiting address complete timer (T7) is stopped and the awaiting answer timer (T9) is started. If timer (T9) expires the connection is released and an indication is sent to the calling subscriber.
- c) If the connect message is received, then the awaiting address complete timer (T7) is stopped (see 2.1.7.6).

### 2.1.4.7 Through-connection and awaiting answer indication at the destination exchange

The sending of the awaiting answer indication (e.g. ring tone) at the destination exchange depends on the type of call. On speech, 64 kbit/s unrestricted preferred, 3.1 kHz calls and calls to an analogue called party the awaiting answer indication is applied to the transmission path to the calling party

## Superseded by a more recent version

from the destination exchange on receipt of an alerting indication from the called party or from information contained within the destination exchange that the called party will not or is prohibited from providing in-band tone.

Regardless of whether tones are to be provided or not, the destination exchange will through connect after the reception of the connection indication from the called party and before sending the answer/connect message to the preceding exchange.

If the destination exchange does not send the awaiting answer indication because the destination user provides for the sending of tones, then the destination exchange will through connect the transmission path in the backward direction on receipt of the progress indication.

The complete through-connection of the transmission path at answer is covered in 2.1.7.

### 2.1.4.8 Return of address complete message in interworking situations

An address complete message will not be sent until the cross-office check is made, if applicable (see Recommendation Q.543 [12]). If the succeeding network does not provide electrical called-party's-line-condition indications the last Signalling System No. 7 exchange shall originate and send an address complete message when the end of address signalling has been determined:

- a) by receipt of an end-of-pulsing (ST) signal; or
- b) by receipt of the maximum number of digits used in the national numbering plan; or
- c) by analysis of the national (significant) number to indicate that a sufficient number of digits has been received to route the call to the called party; or
- d) by receipt of an end-of-selection signal from the succeeding network (e.g. number received signal in Signalling System No. 5); or
- e) exceptionally, if the succeeding network uses overlap signalling and number analysis is not possible, by observing that timer (T10) has elapsed since the last digit was received, and that no fresh information has been received; in such circumstances, transmission to the national network of the last digit received must be prevented until the end of the waiting period which causes an address complete message to be sent backward. In this way, it is ensured that no national answer signal can arrive before an address complete message has been sent.

If in normal operation, a delay in the receipt of an address complete signal from the succeeding network is expected, the last common channel signalling exchange will originate and send an address complete message 15 to 20 seconds (timer T11) after receiving the latest address message. The time-out condition is an upper limit considering the subclauses of 2.9.8.3 (20 to 30 seconds waiting for address complete message timer (T7) for outgoing international exchanges in abnormal release conditions).

When the T11 expires, an ACM is sent to the preceding exchange. Exchanges that run T11 do not run T7. In addition, the wait for answer timer (4.3.1/Q.118 [10]) shall be started at the sending of ACM.

### 2.1.4.9 Access delivery indication

In case the destination exchange delivered any call set-up information at the ISDN access, this will be indicated in the access delivery indicator in the first backward message (address complete, connect or release).

Only the destination exchange can generate the access delivery indicator.

An intermediate exchange (e.g. an outgoing international exchange) is required to recognise the access delivery indicator when it is received, and pass it on if possible.

# Superseded by a more recent version

When an intermediate exchange does not receive the access delivery indicator, no action is required. This would be the case when the destination exchange or the network between the destination exchange and the intermediate exchange does not support the access delivery indicator.

The procedure for use of the indication is for further study.

## 2.1.5 Call progress (Basic call)

The call progress message is sent (only after the address complete message) from an exchange in the backward direction indicating that an event has occurred during call set-up which should be relayed to the calling party.

If the call progress message would exceed the 272 octet limit for Message Transfer Part transfer, it shall be segmented by use of the segmentation message; see 2.1.12.

### 2.1.5.1 Actions required at the destination exchange

The call progress message is sent from the destination exchange if the address complete message has been sent and subsequently:

- an indication is received that the called party is being alerted, the call progress message contains an event indicator that is set to "alerting";
- a progress indication is received from the called party, the call progress message contains an event indicator that is set to "progress".

If the indication received from the called party contains a "progress indication", this is carried by the call progress message in the access transport parameter (transported unchanged across the public network).

The destination exchange may on receipt of the indication from the called party, that contains an appropriate progress indicator, through connect the speech path, see 2.1.4.7.

In the case of call failure and the connection of a tone or announcement being returned before the address complete message has been returned, see 2.2.4.

### 2.1.5.2 Actions required at an intermediate national, outgoing international, intermediate international and incoming international exchange

On receipt of a call progress message an intermediate exchange will send the corresponding call progress message to the preceding exchange.

### 2.1.5.3 Actions required at the originating exchange

On receipt of a call progress message at the originating exchange, no state change occurs, and the appropriate indication is sent to the calling user. If the call progress message contained information carried in the access transport parameter, it is transferred unaltered into the indication returned to the calling user.

## 2.1.6 Information messages

### 2.1.6.1 Requesting information (national use)

An information request message may be sent to any exchange in the forward (backward) call establishment direction after sending (receiving) an initial address message until when routing is complete i.e. when the address complete message or connect message is generated at the destination exchange or when it is received by the intermediate or originating exchange.

## **Superseded by a more recent version**

### **2.1.6.2 Sending solicited information (national use)**

On sending an information request message a timer (T33) is started. No second information request message may be sent in the same direction until a response information message is received. If the timer (T33) expires before the response message is received, see 2.9.7. The value of this timer (T33) is 12-15 seconds to allow for a cascade of information request messages, as described in item ii). The response information message may be sent as follows:

- i) if all the information requested is available locally, then an information message containing all the required information is sent in response;
- ii) if all the information is not available locally, but may be available remotely, then an information request message may be sent to a subsequent exchange in the connection in an attempt to extract the information not locally available. (This information request message may be delayed if one has already been sent and the response not yet received.) On receipt of a response, all the information necessary to respond to the original information message is sent in an information message;
- iii) if all the information is not available locally or remotely, then an information message containing only the available information is sent and the requested but not delivered information is indicated as "not available", using either the indication in the information indicator or an appropriate coding in the requested parameter.

### **2.1.6.3 Receiving a solicited information message (national use)**

Upon receipt of an information message timer T33 is stopped.

If this message neither contains the requested information nor an indication that the requested information is not available, the actions taken will depend on whether the call can be progressed. Any information which was not requested is discarded.

### **2.1.7 Answer message**

If the answer message would exceed the 272 octet limit for Message Transfer Part transfer, it shall be segmented by use of the segmentation message; see 2.1.12.

#### **2.1.7.1 Actions required at the destination exchange**

When the called party answers, the destination exchange connects through the transmission path and the ringing tone is removed if applicable. An answer message to the preceding exchange is sent. If the destination exchange is the exchange controlling charging, then charging may begin.

#### **2.1.7.2 Actions required at an intermediate national exchange**

Upon receipt of an answer message, an intermediate national exchange sends the corresponding answer message to the preceding exchange and, if this is the exchange controlling charging, charging may begin, and timer (T9) is stopped.

#### **2.1.7.3 Actions required at an outgoing international exchange**

Upon receipt of an answer message, an outgoing international exchange sends the corresponding answer message to the preceding exchange and timer (T9) is stopped.

#### **2.1.7.4 Actions required at an intermediate international exchange**

Upon receipt of an answer message, an intermediate international exchange sends the corresponding answer message to the preceding exchange.

# Superseded by a more recent version

## 2.1.7.5 Actions required at an incoming international exchange

See 2.1.7.4.

## 2.1.7.6 Actions required at the originating exchange

When the originating exchange receives an answer message indicating the required connection has been completed, the transmission path is connected through in the forward direction, if not already connected. The awaiting answer timer (T9) is stopped. If the originating exchange is the exchange controlling charging, charging may begin if applicable.

## 2.1.7.7 Return of answer from automatic terminals

When connections are set up to terminals having an automatic answer feature, the alerting indication may not be received from the called party. If a destination exchange receives an answer indication an answer message is sent provided that an address complete message has been sent, otherwise the connect message is sent.

## 2.1.8 Continuity-check

Because the signalling in Signalling System No. 7 does not pass over the circuit, facilities should be provided for making a continuity-check of the circuit in the circumstances described below.

The application of the continuity-check depends on the type of the transmission system used for the circuit. For transmission systems having some inherent fault indication features giving an indication to the switching system in case of fault, a continuity-check is not required. However, a per call continuity-check may be needed on fully-digital circuits when circuits or bundles of circuits in primary multiplex groups are dropped and inserted *en route* between switches, and alarm indications carried on bits of the primary multiplex frame structure are lost in passing through an intermediate transmission facility that does not relay them transparently. Typical, per call continuity-checks may be needed when the transmission link between switches contains a TDMA satellite system, a digital circuit multiplication system or a digital access and cross connection system, where fault indications are lost (see Recommendation Q.33 [6]).

When an initial address message is received with a request for a continuity-check, a continuity-check loop is connected.

For exchanges having both analogue and digital circuits served by Signalling System No. 7, the continuity-check initiated by a continuity-check request message could be used to test for proper alignment of circuit code identities. On those exchanges, reception of a continuity-check request message should always cause a loop to be attached to the circuit.

Alternative methods for detection of circuit identity misunderstandings in exchanges with all digital circuits may be employed.

The continuity-check is not intended to eliminate the need for routine testing of the transmission path.

The continuity check of the circuit will be done, link-by-link, on a per call basis or by a statistical method prior to the commencement of conversation. Procedures and requirements are specified in clause 7/Q.724 [15].

The actions to be taken when pilot supervision is used are described in clause 9/Q.724 [15].

When an initial address message is received with a request for continuity check (either on this circuit or on a previous circuit), timer T8 is started. On receipt of a successful indication of continuity check in a continuity message, timer T8 is stopped. However, if timer T8 expires, the connection is cleared (cause 41).

## Superseded by a more recent version

If an indication of continuity check failure is received in a continuity message, timer T27 is started awaiting a continuity re-check request. Also, the connection to the succeeding exchange is cleared. Timer T27 is stopped when the continuity-check request Message is received and timer T36 is started awaiting a continuity or release message.

If either timer T27 or timer T36 expires, a reset circuit message is sent to the preceding exchange. On reception of the release complete message, the circuit is set to idle.

Where circumstances require per call continuity checking for multi-rate connection type calls, the continuity of the single 64 kbit/s circuit whose circuit identification code is contained in the initial address message shall be checked.

### 2.1.9 Charging

Charging indicators are basically defined for national use. Therefore, unless there is bilateral agreement, the decision to charge a call or not, or to start international accounting will not be decided upon reception of these indicators.

### 2.1.10 Forward transfer message

The forward transfer message may be sent in telephony semi-automatic working in either of the following two cases:

- a) following a call switched automatically to a subscriber, or following a call established via a special operator, the controlling operator wishes to call in an assistance operator. On receipt of the forward transfer message at the incoming international exchange, an assistance operator is called in;
- b) following a call via codes 11 and 12, the controlling operator wishes to recall the incoming international exchange. Receipt of the forward transfer message at the incoming international exchange recalls the incoming operator on calls completed via the operator positions at the exchange.

The support of the forward transfer message in the international interface does not impose that the related functions are implemented in each incoming or outgoing international exchange (e.g. language assistance).

### 2.1.11 Transit network selection (national use)

If transit network selection information is included in the set-up information from the calling party or is provided on a subscription basis, this information is carried in the transit network selection parameter, and is used for routing of the call, e.g. to a specific carrier.

### 2.1.12 Simple segmentation

The simple segmentation procedure uses the segmentation message to convey an additional segment of an overlength message. Any message containing either the optional forward or backward call indicators can be segmented using this method. This procedure provides a mechanism for the transfer of certain messages whose contents are longer than 272 octets but not longer than 544 octets.

The procedure is as follows:

- a) The sending exchange, on detecting that the message to be sent exceeds the 272 octet limit of the Message Transfer Part, can reduce the message length by sending some parameters in a segmentation message sent immediately following the message containing the first segment.
- b) The parameters that may be sent in the second segment using the segmentation message are: the user-to-user information, generic digit, generic notification, generic number and access



## Superseded by a more recent version

transport parameters. If the user-to-user information and access transport parameters cannot be carried in the original message and the two together do not fit in the segmentation message, the user-to-user information parameter is discarded.

- c) The sending exchange sets the Simple Segmentation Indicator in the optional forward or backward call indicators to indicate that additional information is available.
- d) When a message is received, at a local exchange, with the Simple Segmentation Indicator set to indicate additional information is available, the exchange starts timer T34 to await the segmentation message. This action may also take place at incoming or outgoing international exchanges if policing of information is required.
- e) When the segmentation message is received timer T34 is stopped, and the call continues.
- f) In case any other message except the ones listed below is received before the segmentation message containing the second segment the exchange should react as if the second segment is lost, i.e. the timer T34 is stopped and the call continues.

The messages are:

- Continuity.
  - Blocking.
  - Blocking acknowledgement.
  - Circuit group blocking.
  - Circuit group blocking acknowledgement.
  - Unblocking.
  - Unblocking acknowledgement.
  - Circuit group unblocking.
  - Circuit group unblocking acknowledgement.
  - Circuit group query.
  - Circuit group query response.
- g) After expiry of timer T34 the call shall proceed and a received segmentation message containing the second segment of a segmented message is discarded.
  - h) At an incoming or outgoing international exchange, when following the simple segmentation procedure it is possible that the exchange has to reassemble an incoming message and subsequently re-segment it for onward transmission. In this case it has to be ensured that any unrecognised parameters received in the first, or second segment are transmitted in the first, or second, segment respectively, when the passing of the parameter is required by the compatibility procedure.
  - i) In case a segmentation message is received when not expected, see 2.9.5.1.

### 2.1.12.1 Interworking with Q.767 and *Blue Book* (1988 version) ISDN User Parts

For interworking with these ISDN User Part exchanges, no special action is required.

### 2.1.13 Procedure for $N \times 64$ kbit/s Connection Type

The originating exchange determines whether it is an  $N \times 64$  kbit/s connection type call by analysing the bearer capability information received in the access set-up message. The required number of timeslots and outgoing circuits are selected from available circuits within a 1544 or 2048 kbit/s G.704 [13] synchronous digital path. The principles of 2.9.1 (dual seizure) apply. The circuit identification code used in the ISUP messages shall be that of the lowest member circuit identification code. The timeslots and circuits selected need not be contiguous. When the

## Superseded by a more recent version

non-contiguous circuit selection method is used, the selected circuits are indicated to the succeeding exchange in the circuit assignment map parameter carried in the outgoing initial address message.

On receipt of an initial address message at an intermediate exchange (intermediate national exchange, intermediate international exchange, or incoming international exchange) or a destination exchange, the circuit selection method used for the  $N \times 64$  kbit/s connection type call is determined as follows:

- When the initial address message does not include the optional circuit assignment map parameter, contiguous circuit selection is implied. The circuits selected for the connection consist of the  $N$  contiguous circuits with the lowest member circuit identified by the circuit identification code.
- When the initial address message does include the optional circuit assignment map parameter, non-contiguous circuit selection is indicated. The circuits selected for the connection consist of the  $N$  circuits specified by the circuit assignment map parameter.

If the  $N$  circuits as implicitly specified by the circuit identification code (contiguous) or explicitly specified by the circuit assignment map parameter (non-contiguous) of an incoming initial address message are idle, the incoming  $N \times 64$  kbit/s connection is selected. When the intermediate exchange selects outgoing  $N \times 64$  kbit/s non-contiguous circuits the outgoing circuit assignment map parameter shall be regenerated according to the selected outgoing circuits.

It is required that an ISC in a network supporting non-contiguous  $N \times 64$  kbit/s connection type procedures shall also support the fixed contiguous circuit selection connection type procedures described in this Recommendation, and have the capability of interworking between the two connection types. When interworking with an exchange (e.g. ISUP'92 exchange) which supports only the contiguous circuit selection method and  $2 \times 64$  kbit/s, 384 kbit/s, 1536 kbit/s and 1920 kbit/s multirate connection types, only contiguous selection circuit and these connection types shall be used.

When either one call or both calls is/are using non-contiguous circuit selection, dual seizure cannot be detected until the exchange processes the contents of the circuit assignment map parameter in the incoming initial address message. Dual seizure occurs when there is at least one circuit in the  $N \times 64$  kbit/s connection types, either contiguous or non-contiguous, is selected at either end. The dual seizure resolution procedures described in 2.9.1.4 d) apply.

NOTE – In case of failure in the release or reset procedures, a momentary increase in signalling load can occur, the duration of which is dependent on the value of  $N$ .

### 2.2 Unsuccessful call set-up

If at any time in the call set-up the connection cannot be completed, the exchange will (if applicable):

- a) return an indication (in-band or out-band) to the calling party (see 2.2.4); or
- b) attempt to re-route the call set-up; or
- c) initiate release procedures to the preceding and/or succeeding exchange (see 2.2.1).

#### 2.2.1 Actions at exchange initiating a release message

The initiating exchange immediately starts the release of the switched path (if established). The exchange sends a release message to the preceding and/or succeeding exchange and timers T1 and T5 are started to ensure that a release complete message is received from the preceding and/or succeeding exchange (expiration of timers T1 and T5 is covered in 2.9.6).

# Superseded by a more recent version

## 2.2.2 Actions at intermediate exchange

On receipt of a release message an intermediate exchange:

- i) immediately start the release of the switched path; when the circuit is re-selectable, a release complete message is sent;
- ii) at the same time as the start of the release of the switched path, a release message is sent to the preceding or succeeding exchange. Timers T1 and T5 are started to ensure that a release complete message is received from the preceding or succeeding exchange (expiration of timers T1 and T5 is covered in 2.9.6).

## 2.2.3 Actions at the controlling exchange (i.e. the exchange controlling the call)

On receipt of a release message from the preceding or succeeding exchange, the controlling exchange starts the release of the switched path. In addition, the controlling exchange will (if applicable):

- a) return an indication (in-band or out-band) to the calling party (see 2.2.4); or
- b) attempt to re-route the call set-up; or
- c) initiate release procedures to the preceding or succeeding exchange (see 2.2.1).

In case a) above an indication is carried in the call progress message or address complete message indicating in-band information is available along with the cause parameter. The cause value should reflect the reason of call failure in the same way as the in-band tone or announcement to be applied by the controlling exchange, (see 2.2.4).

When the controlling exchange is ready for circuit re-selection, a release complete message is sent to the preceding or succeeding exchange.

## 2.2.4 Tones and announcements

The applicability of tones and announcements is decided based on the transmission medium requirements. Tones and announcements are applicable for the following transmission medium requirements;

- speech;
- 3.1 kHz audio; and
- 64 kbit/s unrestricted preferred.

If a call set-up fails and no in-band tone or announcement has to be returned to the calling party from an exchange succeeding the controlling exchange, this exchange sends a release message to the controlling exchange. The cause value should reflect the reason of the call failure in the same way as the in-band tone or announcement to be applied by the controlling exchange.

If a call set-up fails and an in-band tone or announcement has to be returned to the calling party from an exchange or called party, the exchange or user concerned connects the in-band tone or announcement to the transmission path. If a time-out occurs at the exchange providing the in-band tone or announcement, the exchange sends a release message to the preceding exchange with cause value #31 (normal unspecified).

If an address complete message has been returned to the preceding exchange a call progress message indicating that in-band tone information is available along with the cause parameter, is returned to the preceding exchange (see 2.1.5). The cause value should reflect the reason of call failure in the same way as the in-band tone or announcement to be applied.

If an address complete message has not been returned to the preceding exchange already, an address complete message, with the cause parameter and the "in-band information" indicator set in the

## Superseded by a more recent version

optional backward call indicator, will be returned to the originating exchange. The cause value should reflect the reason of call failure in the same way as the in-band tone or announcement to be applied.

In case a special tone or announcement has to be applied due to an event only known by a certain exchange and not covered by a cause value, no cause parameter is included in either the address complete or call progress messages. The answer message must not be sent in this case.

For the preceding exchanges the inclusion of the cause parameter in the address complete or call progress messages implies an unsuccessful call set-up. The cause parameter will not be included for unsuccessful call set-up's when interworking has occurred and the in-band tone or announcement is returned from the exchange beyond the interworking point.

### 2.2.5 Address incomplete

The determination that the proper number of digits has not been received can be made at once if the end of pulsing signal is received.

When overlap working is used and the end of pulsing has not been received, the release message with cause 28 (address incomplete) will be sent 15-20 seconds (T35) after receipt of the latest address message and before receipt of the minimum or fixed number of digits for forward routing of the call.

### 2.3 Normal call release

The release procedures are based on a two-message (release, release complete) approach whereby the release message initiates release of the circuit switched connection.

The same procedures are used in the network irrespective of whether they are initiated by the calling party, the called party or the network.

To satisfy the need for rapid transfer of release across the network, it is required that the circuit is selectable from the subsequent exchange within the mean cross-office transfer time,  $T_{cu}$ , for simple messages as specified in Recommendation Q.766 [20].

#### 2.3.1 Release initiated by a calling party

##### a) *Actions at the originating exchange*

On receipt of a request to release the call from the calling party, the originating exchange immediately starts the release of the switched path. A release message is sent to the succeeding exchange and timers T1 and T5 are started to ensure that a release complete message is received from the succeeding exchange (expiration of timers T1 and T5 is covered in 2.9.6).

##### b) *Actions at an intermediate exchange*

On receipt of a release message from the preceding exchange, an intermediate exchange:

- i) immediately starts the release of the switched path; when the circuit is re-selectable, a release complete message is returned to the preceding exchange;
- ii) at the same time as the start of the release of the switched path, sends a release message to the succeeding exchange. Timers T1 and T5 are started to ensure that a release complete message is received from the succeeding exchange (expiration of timers T1 and T5 is covered in 2.9.6).

## Superseded by a more recent version

### c) *Actions at the destination exchange*

On receipt of a release message from the preceding exchange, the destination exchange will start the release of the switched path. When the circuit is ready for re-selection, a release complete message is returned to the preceding exchange.

### d) *Charging (national use)*

Charging is stopped upon receipt of the release message at the charging exchange or on receipt of a request to release the call from the calling party when the charging exchange is the originating exchange.

### e) *Collision of release messages*

In the case when two points in the connection both initiate the release of a call, a release message may be received at an exchange from a succeeding or preceding exchange after the release of the switched path is initiated and after sending a release message to the adjacent exchange. In this case, the exchange will return a release complete message to the exchange from which the concerned release message was received. The release complete message will be sent only after the switch path has been released. The exchange will make the circuit available for new calls when both a release complete message is received (corresponding to the sent release message) and a release complete message is sent (corresponding to the received release message).

### 2.3.2 Release initiated by a called party

The procedures in 2.3.1 apply, except that the functions at the originating and destination exchanges are transposed.

### 2.3.3 Release initiated by the network

The procedures in 2.3.1 apply, except that they can be initiated at any exchange (originating, destination or intermediate).

### 2.3.4 Storage and release of initial address message information

Each exchange of the connection shall store during the call set-up the initial address message information sent (the originating exchange) or received (intermediate or destination exchange). The information to be stored includes all parameters in the initial address message and, if the initial address message has been segmented, in the subsequent segmentation message. The contents of the initial address message information shall be updated, if the value of parameters change during the call set-up.

The initial address message information can be released from memory:

- a) in the originating exchange when the address complete message or connect message has been received and the calling party does not subscribe to a supplementary service which would cause a new call set-up. The release of the information when the calling party does subscribe to a supplementary service that is covered in Q.730-Series Recommendations [17];
- b) in the intermediate exchange when the address complete message or the connect message has been received;
- c) in the destination exchange when the address complete message or connect message has been sent and the called party does not subscribe to a supplementary service which would cause a new call set-up. The release of the information when the called party does subscribe to a supplementary service that is covered in Q.730-Series Recommendations [17],

and when the call is released earlier and no automatic repeat attempt is to be attempted.

# Superseded by a more recent version

## 2.4 Suspend, resume

### 2.4.1 Suspend

The suspend message indicates a temporary cessation of communication without releasing the call. It can only be accepted during the conversation/data phase.

A suspend message can be generated by the network in response to a clearback indication from an interworking node or an on-hook condition from an analogue called party.

- a) *Action at the destination exchange or an interworking exchange*  
On receipt of an on-hook condition in the destination exchange or a clearback signal at the interworking exchange, the exchange may send a suspend (network) message to the preceding exchange.
- b) *Action at the intermediate exchange*  
On receipt of a suspend message the exchange will send a suspend message to the preceding exchange.
- c) *Action at the controlling exchange (i.e. exchange controlling the call)*  
On receipt of the on-hook condition or clearback indication or suspend message, the controlling exchange starts a timer (T6) to ensure that an off-hook condition, a re-answer indication, a resume (network) message or a release message is received and, if applicable, sends a suspend (network) message to the preceding exchange. The value of this timer (T6) is covered in Recommendation Q.118 [10]. If the timer (T6) expires, the procedures in 2.4.3 apply.
- d) *Actions at the incoming international exchange*  
On receipt of the on-hook condition or clearback indication or suspend (network) message, the incoming international exchange sends to the preceding exchange a suspend (network) message and starts a timer (T38), to ensure that a release message is received. The value of this timer is covered in Recommendation Q.118 [10]. If the timer (T38) expires, the procedure in 2.4.3 applies. The procedure described above may not be applied in the incoming international exchange if a similar arrangement is already made in the network of the incoming country.

### 2.4.2 Resume

A resume message indicates a request to recommence communication. A request to release the call received from the calling party will override the suspend/resume sequence and the procedures given in 2.3 will be followed.

A resume message is initiated by the network, if a suspend message had previously been sent, in response to a re-answer indication from an interworking node or an off-hook condition from an analogue called party.

- a) *Action at the destination exchange or interworking exchange*  
On receipt of a re-answer indication at the interworking exchange or an off-hook condition in the destination exchange, the exchange may send a resume (network) message to the preceding exchange if a suspend (network) message had previously been sent.
- b) *Actions of the intermediate exchange*  
On receipt of a resume message the exchange will send a resume message to the preceding exchange.

## Superseded by a more recent version

- c) *Action of the controlling exchange (i.e. exchange controlling the call)*  
On receipt of the off-hook condition, re-answer signal, or resume (network) message the controlling exchange stops the timer (T6) [started in 2.4.1 c)] and, if applicable, sends a resume (network) message to the preceding exchange. On receipt of a release message the controlling exchange stops the timer T6 and releases the call according to the procedure in 2.3.
- d) *Actions at the incoming international exchange*  
On receipt of the off-hook condition, re-answer signal, or resume (network) message from the succeeding exchange, the incoming international exchange stops the timer (T38) [started in 2.4.1 d)] and sends a resume (network) message to the preceding exchange. On receipt of a release message the incoming international exchange stops the timer T38 and releases the call according to the procedure in 2.3.

### 2.4.3 Expiration of timer (T6) or timer (T38)

If a request for reconnection or a resume (network) message is not received within timer (T6) or timer (T38), both covered in Recommendation Q.118 [10], then the exchange where the timer has been started will initiate the release procedure on both sides. Cause value #16 (normal call clearing) is used in the release message on expiry of T6; cause value #102 (recovery on timer expiry) is used in the release message on expiry of T38.

## 2.5 Signalling procedures for connection type allowing fallback

NOTE 1 – The procedure assumes that Recommendation E.172 [2] will at an appropriate time include routing rules for the transmission medium requirement parameter value "64 kbit/s unrestricted preferred".

NOTE 2 – The question of additional network signalling procedures to support the provision of tones and announcements in the case of 64 kbit/s unrestricted calls without the application of fallback is for further study.

NOTE 3 – The optimum placement of echo control devices on a connection with a TMR value of 64 kbit/s preferred is performed by the echo control signalling procedures (see 2.7) in conjunction with echo control logic as defined in Recommendation Q.115 [9]. The enabling of the echo control devices will only be carried out if the TMU parameter received in the backward direction indicates "speech/3.1 kHz".

### 2.5.1 Actions in the forward direction

#### 2.5.1.1 Actions at the originating exchange

Two bearer capability information elements are received in the call request from the access. These bearer capability information elements are mapped into one corresponding user service information parameter and one corresponding user service information prime parameter to be carried in the initial address message.

The user service information prime parameter carries the preferred bearer capability and the user service information parameter carries the fallback bearer capability.

The transmission medium requirement parameter is coded "64 kbit/s unrestricted preferred", and the call is routed on a circuit according to this transmission medium requirement parameter.

This means that the connection must be capable of satisfying the connection type requirements of both 64 kbit/s unrestricted and 3.1 kHz audio or speech connection types, e.g. it must be possible to invoke echo control on the connection and/or A-law/ $\mu$ -law conversion if applicable, and the signalling procedures for fallback.

## Superseded by a more recent version

The transmission medium requirement prime parameter carries the fallback connection type and is coded either as 3.1 kHz audio or speech, depending on which connection type should be used in the case of fallback.

See Figures D.1 to D.6.

### 2.5.1.2 Actions at an intermediate exchange

Actions in this subclause may apply both for incoming or outgoing international exchanges, and national or international intermediate exchanges.

#### 2.5.1.2.1 Succeeding network does have the capability of performing fallback

The intermediate exchange will set up the call on a circuit according to the transmission medium requirement parameter 64 kbit/s unrestricted preferred whenever available.

See Figures D.1 to D.4.

If congestion on the route is encountered, and if there is no alternative route available supporting the connection type allowing fallback, fallback procedures will be initiated according to 2.5.1.2.2.

#### 2.5.1.2.2 Succeeding network does not have the capability of performing fallback

In case of either:

- interworking to an ISDN User Part not supporting the transmission medium requirement parameter "64 kbit/s unrestricted preferred"; or
- there is no circuit available being capable of satisfying the connection type requirements of "64 kbit/s unrestricted preferred",

the intermediate exchange will continue the call, discard the user service information prime parameter, maintain the user service information parameter, change the transmission medium requirement parameter in accordance with the fallback connection type contained in the transmission medium requirement prime parameter and then discard the transmission medium requirement prime parameter. This will typically be the case when the succeeding network consists of an ISDN User Part conforming to Recommendation Q.767 [21] or a version of Q.764 not supporting the procedures.

NOTE – This will also be the case during an interim period of time when interworking to ISDN User Part networks not capable of out-band control of echo control devices and/or  $\mu$ -law/A-law converters.

See Figure D.6.

In case of:

- interworking to PSTN,

the intermediate exchange will continue the call into the PSTN with the fallback connection type.

See Figure D.5.

If echo control is required on the connection, appropriate procedures will be initiated (see 2.7).

### 2.5.1.3 Actions at the destination exchange

If the destination access is ISDN, then the information carried in the user service information parameter and the user service information prime parameter are sent to the called user in accordance with the user network interface protocol.

See Figures D.1 to D.3.



## **Superseded by a more recent version**

If the called user is an analogue subscriber, the destination exchange will continue the call with the fallback connection type.

See Figure D.4.

### **2.5.2 Actions in the backward direction – fallback indicated before answer**

#### **2.5.2.1 Actions at the destination exchange**

Fallback before answer may be indicated by the access. The destination exchange will also know that fallback has occurred when the called user is an analogue subscriber.

If the destination exchange knows that fallback has occurred, this will be indicated in the backward direction by including a transmission medium used parameter (which has been set according to the fallback connection type indicated by the transmission medium requirement prime parameter) in the address complete message or call progress message.

The transmission medium used parameter is indicating the fallback connection type.

Appropriate actions to modify network resources will be initiated.

If echo control is required on the connection, appropriate procedures will be initiated (see 2.7).

See Figures D.3 and D.4.

#### **2.5.2.2 Actions at the intermediate exchange**

Actions in this subclause may apply both for incoming or outgoing international exchanges, and national or international intermediate exchanges.

##### **2.5.2.2.1 Succeeding network does have the capability of performing fallback**

The intermediate exchange will know that fallback has occurred by receiving the transmission medium used parameter. This parameter indicates the fallback connection type.

Appropriate actions to modify network resources, e.g.  $\mu$ -law/A-law conversion will be initiated if applicable.

If echo control is required on the connection, appropriate procedures will be initiated (see 2.7).

See Figures D.2, D.3, D.4 and D.6.

##### **2.5.2.2.2 Succeeding network does not have the capability of performing fallback**

The intermediate exchange will include a transmission medium used parameter (which has been set according to the fallback connection type indicated in the transmission medium requirement prime parameter) in the address complete message or call progress message indicating that fallback has occurred for this call.

Appropriate actions to modify network resources, e.g.  $\mu$ -law/A-law conversion will be initiated.

If echo control is required on the connection, appropriate procedures will be initiated (see 2.7).

See Figures D.5 and D.6.

#### **2.5.2.3 Actions at the originating exchange**

The originating exchange will know that fallback has occurred by receiving the transmission medium used parameter. The transmission medium used parameter indicates the fallback connection type.

Appropriate actions to modify network resources will be initiated.

If echo control is required on the connection, appropriate procedures will be initiated (see 2.7).

# Superseded by a more recent version

See Figures D.2 to D.6.

## 2.5.3 Actions in the backward direction – fallback indicated at answer

### 2.5.3.1 Actions at the destination exchange

When the destination exchange knows at answer that fallback has occurred, this will be indicated by including a transmission medium used parameter (which has been set according to the fallback connection type indicated in the transmission medium requirement prime parameter) in the answer or connect message.

This will typically be the case when the called user is ISDN, and has indicated fallback bearer capability information, or no bearer capability information at all when answering the call.

Appropriate actions to modify network resources will be initiated.

If echo control is required on the connection, appropriate procedures will be initiated (see 2.7)

See Figure D.2.

### 2.5.3.2 Actions at the intermediate exchange

Actions in this subclause may apply both for incoming or outgoing international exchanges, and national or international intermediate exchanges.

The intermediate exchange will know that fallback has occurred by receiving the transmission medium used parameter. This parameter indicates the fallback connection type.

Appropriate actions to modify network resources, e.g.  $\mu$ -law/A-law conversion, will be initiated.

If echo control is required on the connection, appropriate procedures will be initiated (see 2.7).

See Figure D.2.

### 2.5.3.3 Actions at the originating exchange

The originating exchange will know that fallback has occurred by receiving the transmission medium used parameter. The transmission medium used parameter indicates the fallback connection type.

Appropriate actions to modify network resources will be initiated.

If echo control is required on the connection, appropriate procedures will be initiated (see 2.7).

See Figure D.2.

## 2.5.4 Actions in the backward direction – fallback does not occur

The non-occurrence of fallback is indicated in the backward direction by the absence of the transmission medium used parameter.

No further actions are required in any of the exchanges involved in the call.

See Figure D.1.

## 2.6 Propagation delay determination procedure

The procedure provides means to determine the total propagation delay for a connection.

The propagation delay information is accumulated during call set-up in the forward direction. The result is sent in the backward direction as call history information before the active phase of a call.

Exchanges with an ability to provide enhanced echo control signalling procedures cancellation will use the propagation delay and call history values in echo control logic to determine the appropriate echo control signalling procedures (see 2.7).

# Superseded by a more recent version

## 2.6.1 Procedure

The procedure starts from the principle that the propagation delay of a connection is detected during call set-up by increasing the propagation delay counter contained in the initial address message and that the accumulated result is sent in the backward direction included in the answer or connect message.

### 2.6.1.1 Actions at the initiating exchange

The initiating exchange is the exchange which initiates the procedure, e.g. a typical case is the originating local exchange.

#### 2.6.1.1.1 Actions referring to the propagation delay counter

The initiating exchange shall always include the propagation delay counter into the initial address message. Initially the counter is set to 0 ms or if an access delay value is available, it is set to that delay value.

Depending on the chosen route to the succeeding exchange, the originating exchange increases the counter by the value representing the appropriate delay value prior to sending the initial address message.

The value of the delay for each circuit has to be available in the exchange.

If the chosen circuit includes a satellite link, also the satellite indicator must be set accordingly.

#### 2.6.1.1.2 Actions referring to the call history information

Upon receipt of the call history information parameter in the answer or connect message, the initiating exchange has to store the received delay value until the call is released.

### 2.6.1.2 Actions at an intermediate exchange

An intermediate exchange can be a national transit exchange, an incoming or outgoing gateway exchange or an international transit exchange.

#### 2.6.1.2.1 Actions referring to the propagation delay counter

Upon receipt of the initial address message, the intermediate exchange analyses the routing information in order to select a suitable circuit to the succeeding exchange.

After choosing a circuit the propagation delay counter shall be increased by the value of the corresponding delay value.

The value of the delay for each circuit has to be available in the exchange.

The initial address message is sent to the succeeding exchange containing the new value of the propagation delay counter.

#### 2.6.1.2.2 Actions referring to the call history information

The intermediate exchange shall pass on the received answer or connect message including the call history information parameter.

### 2.6.1.3 Actions at the terminating exchange

The terminating exchange is the exchange which terminates the procedure, e.g. a typical case is the local destination exchange.

## **Superseded by a more recent version**

### **2.6.1.3.1 Actions referring to the propagation delay counter**

Upon receipt of the initial address message including the propagation delay counter, the destination exchange shall increase the value by the delay value of the terminating access if available and store the delay value until the call is released.

### **2.6.1.3.2 Actions referring to the call history information**

Prior to sending the answer or connect message to the preceding exchange, the call history information parameter shall be included in the message.

The value of the call history information parameter is set according to the stored value of the propagation delay counter.

### **2.6.1.4 Interactions with other signalling systems**

There are two basic interworking situations namely:

- i) signalling systems supporting the procedure toward signalling systems not supporting the procedure;
- ii) signalling systems not supporting the procedure toward signalling systems supporting the procedure.

#### **2.6.1.4.1 Interworking from signalling systems supporting the procedure to signalling systems not supporting the procedure**

In case of an interworking situation the interworking exchange shall store the propagation delay value accumulated up to this point until the call is released. If a delay value referring to the part of the connection where the procedure is not supported is available, this delay value shall be added to the stored one.

The interworking exchange acts like a terminating exchange according to 2.6.1.3.

Upon receipt of the answer or connect message the interworking exchange shall include the call history information parameter set to the stored delay value.

The answer or connect message including the call history information parameter is sent to the preceding exchange by the interworking exchange.

#### **2.6.1.4.2 Interworking from signalling systems not supporting the procedure to signalling systems supporting the procedure**

Because of the signalling systems which do not support the procedure do not include the propagation delay counter, the interworking exchange shall insert the propagation delay counter in the initial address message resetting it to 0 ms. If a delay value referring to the part of the connection where the procedure is not supported is available, the propagation delay counter shall be set to this delay value.

The interworking exchange acts like a initiating exchange according to 2.6.1.1.

The calculated delay value in the interworking exchange shall reflect the delay incurred on the preceding circuit(s). This includes delay values corresponding to satellite delays, if applicable.

Prior to sending the initial address message to the succeeding exchange, the propagation delay counter shall be increased according to the value of the outgoing circuit chosen.

### **2.6.1.5 Abnormal procedures**

At any exchange where the incoming signalling system supports the propagation delay determination procedure, the propagation delay counter parameter may be missing from the received initial address message. In this case a propagation delay value should be created as in the interworking case

## Superseded by a more recent version

described in 2.6.1.4.2. The procedure should then continue as in 2.6.1.2, 2.6.1.3 or 2.6.1.4 as appropriate.

At any exchange where the outgoing signalling system supports the propagation delay determination procedure, the call history information parameter may be missing from the answer or connect message received. In this case no special action is required; the answer or connect message is sent backwards without this parameter.

At any exchange that supports the propagation delay procedure, a confusion message may be received referring to the propagation delay counter or the call history information parameter. The Confusion message should be discarded. Any stored propagation delay value is also discarded.

### 2.7 Echo control signalling procedures

#### 2.7.1 Introduction

The echo control signalling procedures are used on a per call basis to convey information between exchanges about the need for echo control, the ability of the network to provide echo control devices, and whether echo control devices have already been provided.

Two different sets of echo control signalling procedures are described in this Recommendation:

- 1) Enhanced echo control procedures.
- 2) Simple echo control procedures.

The enhanced echo control procedures defined in 2.7.2 are making optional use of the echo control logic as described in Recommendation Q.115 [9] and in Supplementary Services Series Q.730 [17]. Support of these procedures will ensure an accurate placement of the echo control devices and will avoid concatenation of the echo control devices. The procedures are especially designed to cope with the specific routing effects of some supplementary services, the general demand for speech quality improvement and new network design considerations. For the supplementary services this refers to the echo control aspects of the call diversion services (CFU, CFB, CFNR and CD), the multiparty services (3PTY and CONF) and the call transfer services (ECT). The demand for speech quality improvement arises from more critical users and the increased delay in normal connections because of new speech-processing techniques (ATM, DCME and digital mobile). New network design considerations are aiming for a distributed and optimal provisioning of the echo control devices in the network based on features like echo control devices in a pool.

The simple echo control signalling procedures defined in 2.7.3 are identical to the echo control signalling procedures defined in *Blue Book* and in Recommendation Q.767.

It is recognized that exchanges that support the echo control signalling procedures will coexist with exchanges that implement the simple echo control signalling procedures. This coexistence should result in adequate echo control device placement and does not result in a requirement for new signalling capabilities in exchanges not supporting the enhanced echo control signalling procedures.

NOTE – The interworking between the enhanced echo control signalling procedures and the echo control procedure described in ISUP'92 is not guaranteed to ensure optimal echo control device placement in all situations. For this reason the use of the ISUP'92 procedure is not recommended.

#### 2.7.2 Enhanced echo control signalling procedures

##### 2.7.2.1 General

The signalling procedures defined in this Recommendation use the functional model described in Recommendation Q.115 [9], and especially the information events defined in Annex A/Q.115. The echo control logic described in Recommendation Q.115 can be invoked in any exchange and is

## Superseded by a more recent version

responsible for determining whether echo control is required for a call, the optimum placement of the echo control devices and for setting the information indicators conveyed by the signalling procedures. All signalling types implemented in an exchange interface with the echo control logic using the same set of information events. Therefore echo control signalling procedures do not incorporate any decisions concerning the need for echo control on a call, and the placement of the echo control devices.

Recommendation Q.115 [9] defines two types of exchanges:

- Type 1 exchanges implement the echo control logic defined in Annex A/Q.115.
- Type 2 exchanges perform no echo control logic but pass the echo control information.

The signalling procedure for Type 1 exchanges is described in 2.7.2.2. The signalling procedure for Type 2 exchanges is described in 2.7.2.3.

### **2.7.2.2 Type 1 exchanges**

Type 1 exchanges support the echo control logic defined in Recommendation Q.115 [9] and will implement the signalling procedure described in this subclause.

#### **2.7.2.2.1 Assignment of echo control functions between the signalling procedure and echo control logic**

The echo control logic determines which exchanges are in the optimum location to provide the echo control devices for a connection. In these exchanges, the echo control logic sends an information event to the signalling procedures to request the enabling of an echo control device. When so requested, the signalling procedure enables the echo control devices at appropriate times that do not interfere with continuity check activities and in accordance with any changes in TMR value during the call, such as fallback to speech/3.1 kHz for the 64 kbit/s preferred service.

When the echo control logic determines that a previously enabled echo control device should be disabled, (e.g. when an echo control device has been more optimally placed) it sends an appropriate information event to the signalling procedure.

#### **2.7.2.2.2 Definition of information events passed between echo control logic and the incoming and outgoing signalling procedure**

The echo control logic defined in Recommendation Q.115 [9] analyses information such as routing data, call history and propagation delay to determine whether echo control devices need to be used for a call. Echo control logic is part of the call control functional entity, and is invoked for TMR values of speech/3.1 kHz and 64 kbit/s preferred. Information events between the echo control logic and the incoming and outgoing signalling procedures are described in Table 1. They are shown for description purpose only.

# Superseded by a more recent version

**Table 1/Q.764 – Information events between echo control logic and signalling procedures**

Information events	Direction	Meaning
<b><i>Echo Control Information Forward (ECIF)</i></b>		
ECIF = o.n.i.	Incoming Signalling → EC Logic	OECD not in the connection in a preceding exchange/network.
	EC Logic → Outgoing Signalling	OECD not in the connection in this exchange or in a preceding exchange/network.
ECIF = o.i.	Incoming Signalling → EC Logic	OECD in the connection.
	EC Logic → Outgoing Signalling	OECD in the connection.
<b><i>Echo Control Information Forward, Additional (ECIFA)</i></b>		
ECIFA = o.a.	Incoming Signalling → EC Logic	An OECD is available in a preceding exchange/network.
	EC Logic → Outgoing Signalling	An OECD is available in this exchange or a preceding exchange/network.
ECIFA = o.n.a.	Incoming Signalling → EC Logic	An OECD is not available in a preceding exchange/network.
	EC Logic → Outgoing Signalling	An OECD is not available in this exchange or a preceding exchange/network.
<b><i>Echo Control Information Backward (ECIB)</i></b>		
ECIB = i.n.i.	Outgoing Signalling → EC Logic	IECD not in the connection in a succeeding exchange/network.
	EC Logic → Incoming Signalling	IECD not in the connection in this exchange or a succeeding exchange/network.
ECIB = i.i.	Outgoing Signalling → EC Logic	IECD in the connection.
	EC Logic → Incoming Signalling	IECD in the connection.
<b><i>Echo Control Information Backward, Additional (ECIBA)</i></b>		
ECIBA = i.a.	Outgoing Signalling → EC Logic	An IECD is available in a succeeding exchange/network.
	EC Logic → Incoming Signalling	An IECD is available in this exchange or a succeeding exchange/network.
ECIBA = i.n.a.	Outgoing Signalling → EC Logic	An IECD is not available in a succeeding exchange/network.
	EC Logic → Incoming Signalling	An IECD is not available in this exchange or a succeeding exchange/network.

# Superseded by a more recent version

**Table 1/Q.764 – Information events between echo control logic and signalling procedures (concluded)**

Information events	Direction	Meaning
<b><i>Echo Control Request Forward (ECRF)</i></b>		
ECRF = i.n.r.	Incoming Signalling → EC Logic	IECD not requested.
	EC Logic → Outgoing Signalling	IECD not requested.
ECRF = i.r.	Incoming Signalling → EC Logic	IECD requested.
	EC Logic → Outgoing Signalling	IECD requested.
ECRF = o.n.r.	Incoming Signalling → EC Logic	OECD not requested.
	EC Logic → Outgoing Signalling	OECD not requested.
ECRF = o.r.	Incoming Signalling → EC Logic	OECD requested.
	EC Logic → Outgoing Signalling	OECD requested.
<b><i>Echo Control Request Backward (ECRB)</i></b>		
ECRB = i.n.r.	Outgoing Signalling → EC Logic	IECD not requested.
	EC Logic → Incoming Signalling	IECD not requested.
ECRB = i.r.	Outgoing Signalling → EC Logic	IECD requested.
	EC Logic → Incoming Signalling	IECD requested.
ECRB = o.n.r.	Outgoing Signalling → EC Logic	OECD not requested.
	EC Logic → Incoming Signalling	OECD not requested.
ECRB = o.r.	Outgoing Signalling → EC Logic	OECD requested.
	EC Logic → Incoming Signalling	OECD requested.
<b><i>Control Information for IECD (CII)</i></b>		
CII = Enable	EC Logic → Incoming Signalling	Request enabling of IECD in this exchange (see 2.7.2.2.1).
CII = Disable	EC Logic → Incoming Signalling	Request disabling of IECD in this exchange.
<b><i>Control Information for OECD (CIO)</i></b>		
CIO = Enable	EC Logic → Outgoing Signalling	Request enabling of OECD in this exchange (see 2.7.2.2.1).
CIO = Disable	EC Logic → Outgoing Signalling	Request disabling of OECD in this exchange.

### 2.7.2.2.3 Incoming and outgoing signalling procedures

The incoming and outgoing signalling procedures consist of the signalling system/protocol itself as well as the additional functionality required to interact with the echo control logic using the information events defined in 2.7.2.2.2. The signalling procedures map between the information event values and signalling indicators, and are responsible for carrying the echo control information in appropriate messages.

The signalling procedures use the following parameters and indicators:

#### *Nature of connection*

- Echo control device indicator.



# Superseded by a more recent version

## *Backward call indicators*

- Echo control device indicator.

## *Echo control information parameter*

- Incoming echo control device information indicator.
- Outgoing echo control device information indicator.
- Incoming echo control device request indicator.
- Outgoing echo control device request indicator.

The signalling procedures shall map the information event values and signalling indicators according to the following tables. Received signalling indicators and indicator values not present in the tables shall be ignored. Transmitted signalling indicators not shown in these tables shall be set to "no information".

The signalling procedures are the same at originating, terminating and intermediate exchanges.

For TMR values other than speech/3.1 kHz and 64 kbit/s preferred, the signalling procedures will not invoke echo control logic by generating the information events. The echo control information parameter will only be included for TMR values of speech/3.1 kHz and 64 kbit/s preferred. The echo control device indicators in the nature of connection and backward indicators parameters will be set to "not included" for TMR values other than speech/3.1 kHz and 64 kbit/s preferred.

### **2.7.2.2.3.1 Forward direction**

#### **2.7.2.2.3.1.1 Reception of IAM**

The outgoing echo control device information indicator in the echo control information parameter shall be mapped to the ECIF and ECIFA information events. The echo control device indicator in the nature of connection parameter shall be used only if the echo control information parameter is not received. See Table 2.

**Table 2/Q.764 – Mapping of echo information indicators received in an IAM to echo information events**

Indicator value received		Information event value	
OECD information indicator	ECD indicator	ECIF	ECIFA
o.i.	Ignore	o.i.	o.a.
o.n.i., o.a.	Ignore	o.n.i.	o.a.
o.n.i., o.n.a.	Ignore	o.n.i.	o.n.a.
Parameter not received	o.n.i.	o.n.i.	o.n.a (Note)
Parameter not received	o.i.	o.i.	o.a.
No information	Ignore	o.n.i.	o.n.a. (Note)
NOTE – This value applies unless the exchange determines from route data that an OECD is available in a preceding exchange/network.			

#### **2.7.2.2.3.1.2 Generation of IAM**

The echo control information parameter shall be included, with the following mapping of the ECIF and ECIFA information events to the outgoing echo control device information indicator. Also, the echo control indicator in the nature of connection parameter shall be coded accordingly. See Table 3.

## Superseded by a more recent version

**Table 3/Q.764 – Mapping of echo information events to IAM echo information indicators**

Information event value		Indicator value sent	
ECIF	ECIFA	OECD information indicator	ECD indicator
o.i.	o.a.	o.i.	o.i.
o.n.i.	o.a.	o.n.i., o.a.	o.n.i.
o.n.i.	o.n.a.	o.n.i., o.n.a.	o.n.i.

### 2.7.2.2.3.1.3 Reception of NRM

The ECRF information event is only generated on the following settings of the OECD request and IECD request indicators in the echo control information parameter. See Table 4.

**Table 4/Q.764 – Mapping of echo information indicators received in a NRM to echo information events**

Indicator value received		Information event value
OECD Request	IECD Request	ECRF
o.r.	No information	o.r., i.n.r.
No information	i.r.	o.n.r., i.r.
o.r.	i.r.	o.r., i.r.

### 2.7.2.2.3.1.4 Generation of NRM

If the ECRF event is received, an NRM message shall be generated with the following settings of the OECD request indicator and IECD request indicator in the echo control information parameter. See Table 5.

**Table 5/Q.764 – Mapping of echo information events to NRM echo information indicators**

Information event value	Indicator value sent	
ECRF	OECD Request	IECD Request
o.r., i.n.r.	o.r.	No information
o.n.r., i.r.	No information	i.r.
o.r., i.r.	o.r.	i.r.

## Superseded by a more recent version

### 2.7.2.2.3.2 Backward direction

#### 2.7.2.2.3.2.1 Reception of ACM, CON, ANM and CPG

The incoming echo control device information indicator in the echo control information parameter shall be mapped to the ECIB and ECIBA information events. The echo control device indicator in the backward call indicators parameter shall be mapped only if the echo control information parameter is not received or if the incoming echo control device information indicator value is "no information" (see Tables 6.1 and 6.2).

In addition, if the call history parameter is present in the answer message but neither the backward call indicators or echo control information parameters are present, then the ECIB and ECIBA events shall be sent using the last received echo control related information from the backward call indicators and/or echo control information parameters. This ensures that echo control logic will act on the received call history information.

**Table 6.1/Q.764 – Mapping of received echo information indicators to echo information events**

Indicator value received		Information event value	
IECD information indicator	ECD indicator	ECIB	ECIBA
i.i.	Ignore	i.i	i.a.
i.n.i., i.a.	Ignore	i.n.i.	i.a.
i.n.i., i.n.a.	Ignore	i.n.i.	i.n.a.
Parameter not received	i.n.i.	i.n.i.	i.n.a. (Note)
Parameter not received	i.i.	i.i.	i.a.
	Ignore	i.n.i.	i.n.a. (Note)

NOTE – This value applies unless the exchange determines from route data that an IECD is available in a succeeding exchange/network.

The ECRB information event is only generated on the following setting of the OECD request indicator in the echo control information parameter that can be carried in the ACM, CON, ANM and CPG messages.

**Table 6.2/Q.764 – Mapping of received echo request indicators to echo information events**

Indicator value received	Information event value
OECD request	ECRB
o.r.	o.r.

#### 2.7.2.2.3.2.2 Generation of ACM, CON, ANM and CPG

If the echo control logic generates an ECRB event, the OECD request indicator in the echo control information parameter shall be set as follows. This occurs when an exchange determines that echo control is needed on a call, and has knowledge that a preceding exchange can provide an OECD. For a basic call, the request is included in the first backward message to the preceding exchange. See Table 7.1.

## Superseded by a more recent version

**Table 7.1/Q.764 – Mapping of echo request events to ACM, CON, ANM and CPG echo information indicators**

Information event value	Indicator value sent
<b>ECRB</b>	<b>OECD Request</b>
o.r.	o.r.

The echo control information parameter shall be included, with the following mapping of the ECIB and ECIBA information events to the incoming echo control device information indicator. Also, the echo control indicator in the backward call indicators parameter shall be coded accordingly. See Table 7.2.

**Table 7.2/Q.764 – Mapping of echo information events to ACM, CON, ANM and CPG echo information indicators**

Information event value		Indicator value sent	
ECIB	ECIBA	IECD information indicator	ECD indicator
i.i.	i.a.	i.i.	i.i.
i.n.i.	i.a.	i.n.i., i.a.	i.n.i.
i.n.i.	i.n.a.	i.n.i., i.n.a.	i.n.i.

When an exchange must send an ACM before the echo control logic has determined the echo control requirements for the call, the echo information indicators should be set as follows:

Echo control device indicator = "i.n.i."

Incoming echo control device information indicator:

= "i.n.i., i.a." if the exchange can provide an IECD for the call;

= "i.n.i., i.n.a." if the exchange cannot provide an IECD for the call.

### 2.7.2.2.3.2.3 Reception of NRM

The ECRB information event is only generated on the following settings of the OECD request and IECD request indicators in the echo control information parameter. See Table 8.

**Table 8/Q.764 – Mapping of echo request indicators received in a NRM to echo information events**

Indicator value received		Information event value
OECD request	IECD request	ECRB
o.r.	No information	o.r., i.n.r.
No information	i.r.	o.n.r., i.r.
o.r.	i.r.	o.r., i.r.

# Superseded by a more recent version

## 2.7.2.2.3.2.4 Generation of NRM

If the ECRB event is received, an NRM message shall be generated with the following settings of the OECD request indicator and IECD request indicator in the echo control information parameter. See Table 9.

**Table 9/Q.764 – Mapping of echo information events to NRM echo request indicators**

Information event value	Indicator value sent	
	OECD request	IECD request
ECRB		
o.r., i.n.r.	o.r.	No information
o.n.r., i.r.	No information	i.r.
o.r., i.r.	o.r.	i.r.

## 2.7.2.2.3.3 Enabling and disabling of echo control devices

An exchange provides for the optimum placement of outgoing and incoming echo control devices using signalling procedures based upon echo control logic. Echo control logic will use information events (control information outgoing/incoming) to request the signalling procedures to enable and disable echo control devices. The nature of this internal communication and the manner in which the exchange enables and disables the devices is implementation dependent.

### Basic call

When echo control logic requests that an echo control device be enabled, the enabling action will follow the completion of any continuity check, so as not to interfere with the in-band tone.

### Fallback

On selection of an outgoing circuit, echo control logic will be invoked for a 64 kbit/s preferred call, as for a speech/3.1 kHz call. However, on reception of the CII or CIO enable echo information event, the signalling procedures shall not enable the echo control devices for a 64 kbit/s preferred call until a TMU parameter is received, indicating fallback to speech/3.1 kHz bearer type.

## 2.7.2.3 Type 2 exchanges

Intermediate Type 2 exchanges will pass the received echo control signalling information unchanged, according to normal basic call procedures, and the procedures for handling unreasonable signalling information (see 2.9.5).

An originating Type 2 exchange shall include the echo control information parameter in the IAM only if the exchange has knowledge of the inclusion or availability of echo control devices in the preceding network and the TMR value is speech/3.1 kHz or 64 kbit/s preferred.

A terminating Type 2 exchange may include the echo control information parameter in the ACM or CON message only if the exchange has knowledge of the inclusion or availability of echo control devices in the access and the TMR value is speech/3.1 kHz or 64 kbit/s preferred.

## 2.7.3 Simple echo control signalling procedures

### 2.7.3.1 General

The echo control procedure is used on a per call basis to convey information between exchange nodes about the demand and ability to insert echo control devices.

## **Superseded by a more recent version**

The procedure is invoked when a call is to be routed on a connection for which echo control is necessary. It could be initiated at the originating exchange or at an intermediate exchange.

### **2.7.3.1.2 Forward direction**

#### **2.7.3.1.2.1 Actions at the originating exchange**

If an originating exchange has sufficient information to determine that echo control is necessary for the outgoing circuit, then:

- outgoing echo control device is enabled; and
- the echo control device indicator of the nature of connection indicators parameter field in the IAM is set.

#### **2.7.3.1.2.2 Actions at an intermediate exchange**

If an intermediate exchange has sufficient information to determine that echo control is required for the outgoing circuit, then one of the following actions can occur:

- a) When the nature of connection indicators parameter field in the IAM indicates that an echo control device is already included:
  - no change to the nature of connection indicators parameter field in the IAM is made;
  - an incoming echo control device is reserved; and
  - any outgoing echo control device is disabled.
- b) When the nature of connection indicators parameters in the IAM does not indicate that an echo control device is already included:
  - an outgoing echo control device is enabled; and
  - the echo control device indicator in the nature of connection indicators parameter field is set.

If the intermediate exchange has sufficient information to determine that echo control is not required for the outgoing circuit, then one of the following actions can occur:

- a) When the nature of connection indicators parameter field in the IAM indicates that an echo control device is already included:
  - no change to the nature of connection indicators parameter field in the IAM is made; and
  - an incoming echo control device is reserved.
- b) When the nature of connection indicator parameter field in the IAM does not indicate that an echo control device is already included:
  - no additional action is required.

#### **2.7.3.1.2.3 Actions at the destination exchange**

See 2.7.3.1.3.1 below.

### **2.7.3.1.3 Backward direction**

#### **2.7.3.1.3.1 Actions at the destination exchange**

Upon the receipt of an IAM with the indication "outgoing echo control device included" in the nature of connection indicators parameter field, the following action is taken:

- an incoming echo control device is enabled; and
- the echo control device indicator of the backward call indicators parameter field in the first backward message (i.e. ACM or connect ) is set.

## Superseded by a more recent version

If the destination exchange is unable to include an incoming echo control device, the information is conveyed to the preceding exchange by an echo control device indicator in the backward call indicators parameter field in the first backward message.

### 2.7.3.1.3.2 Actions at an intermediate exchange

Upon receipt of the first backward message (i.e. ACM or connect ) in response to an IAM with echo control indication, then one of the following actions can occur:

- a) When the backward call indicators parameter field indicates that an incoming echo control device is not already included:
  - the reserved incoming echo control device is included; and
  - the echo control device indicator in the backward call indicators parameter field is set.
- b) When the backward call indicators parameter field indicates that an incoming echo control device is already included:
  - the reserved incoming echo control is released; and
  - no change to the backward call indicators parameter field in the backward message is made.

### 2.7.3.1.3.3 Actions at the originating exchange

No additional action is required.

## 2.7.4 Interworking considerations

It is anticipated that calls may route through exchanges using different versions of echo control logic and signalling procedures. Where an exchange has provided enhanced echo control signalling procedures, there is a need for interworking to exchanges with simple or ISUP'92 echo control signalling procedures. Similarly, where an exchange has provided simple echo control signalling procedures, there is a need for interworking to exchanges with enhanced or ISUP'92 echo control signalling procedures.

Examples of interworking can be seen in the Figures of Annex C.

## 2.8 Network features

### 2.8.1 Automatic repeat attempt

Automatic repeat attempt, as defined in Recommendation Q.12 [5], is provided in Signalling System No. 7. An automatic repeat attempt will be made (up to the point when the initial address message information is released, see 2.3.4):

- i) on detection of dual seizure (at the non-control exchange) (see 2.9.1.4);
- ii) on receipt of the blocking message after sending an address message and before any backward message has been received (see 2.8.2);
- iii) on receipt of a reset circuit message after sending an address message and before a backward message has been received [see 2.9.3.1 e)];
- iv) on failure of continuity-check, when a continuity check is performed;
- v) on receipt of an unreasonable message during call set-up (see 2.9.5).

# Superseded by a more recent version

## 2.8.2 Blocking and unblocking of circuits and circuit groups

The blocking (unblocking) message and the circuit group blocking (unblocking) message are provided to permit the switching equipment or maintenance system to remove from (and return to) traffic the distant terminal(s) of a circuit or group of circuits because of a fault or to permit testing.

Since the circuits served by the ISDN User Part have both-way capability, the blocking message or circuit group blocking message can be originated by either exchange. The receipt of a blocking message or a circuit group blocking message will have the effect of prohibiting non-test calls on the relevant circuit(s) outgoing from the exchange until an unblocking message or an appropriate circuit group unblocking message is received, but will not prohibit test calls incoming to that exchange. Test calls generated in the outgoing direction from the exchange that sent the blocking or circuit group blocking message will also be processed. Non-test Initial Address Messages will result in an abnormal case [see 2.8.2.3 xiv)]. An acknowledgement sequence is always required for the blocking and unblocking message as well as for the circuit group blocking message and circuit group unblocking messages using the blocking acknowledgement message, the unblocking acknowledgement message, the appropriate circuit group blocking acknowledgement messages and the appropriate circuit group unblocking acknowledgement message respectively. The acknowledgement is not sent until the appropriate action – either blocking or unblocking – has been taken. The release message should not override a blocking message and return circuits to service which might be faulty. The blocked circuit(s) will be returned to service on transmission of the unblocking acknowledgement message or the appropriate circuit group unblocking acknowledgement message at one exchange and on receipt of the unblocking acknowledgement message or the appropriate circuit group unblocking acknowledgement message at the other exchange.

The use of circuits for multirate calls or  $N \times 64$  kbit/s connection type has no effect on the blocking (unblocking) procedures, which apply on a per circuit, not per call basis.

### 2.8.2.1 Other actions on receipt of a blocking message

In the event of a blocking message being received, after an initial address message has been sent in the opposite direction on that circuit, and before a backward message relating to that call has been received, an automatic repeat attempt will be made on another circuit. The exchange receiving the blocking message releases the original call attempt in the normal manner after sending the blocking acknowledgement message and will not seize that circuit for subsequent calls.

If the blocking message is received:

- after an initial address message has been sent for that circuit in the opposite direction and after at least one backward message relating to that call has been received; or
- after an initial address message has been received for that circuit beforehand,

the exchange will not seize that circuit for subsequent calls, and the current call proceeds.

The fact that the circuit is engaged on a call will not delay transmission of the blocking (unblocking) acknowledgement message.

If a blocking message is sent and subsequently an initial address message is received in the opposite direction, the following action is taken:

- for test calls, the call should be accepted, if possible. In the case where the test call cannot be accepted, the blocking message must be returned;
- for calls other than test calls, the blocking message must be returned and the initial address message discarded.



## Superseded by a more recent version

When a circuit is blocked by use of the blocking message, the maintenance system should be informed at both ends of the circuit.

### 2.8.2.2 Circuit group blocking and unblocking messages

The following circuit group blocking (unblocking) messages and their corresponding acknowledgement messages are provided:

- maintenance oriented circuit group blocking (unblocking) message;
- hardware failure oriented circuit group blocking (unblocking) message;

The circuits to be blocked (unblocked) are indicated in the status field.

The maximum number of circuits to be blocked (unblocked) with one circuit group blocking (unblocking) message is limited to 32.

A received circuit group blocking (unblocking) acknowledgement message has to match in the parameter value of the circuit identification code, the circuit group supervision message type, and the range field (see Recommendation Q.763 [19]) with the previously sent group blocking (unblocking) message in order to be considered a valid acknowledgement.

A circuit is controlled by the ISDN User Part if it can be used by the ISDN User Part as a circuit switched bearer. Hence, time slots in a digital path that are used for synchronization (e.g. timeslot 0 in a 2048 kbit/s digital path) or as signalling channels are not circuits whose control is allocated to the ISDN User Part.

Some of the circuit identification code values covered by the range field of a circuit group blocking/unblocking (acknowledgement) Message may not be allocated to any circuit. Then the corresponding status bits in the status field are set to 0. This is not allowed for the circuit identification code values related to status bits being set to 1. Those circuit identification code values must always be allocated to circuits whose control is allocated to the ISDN User Part. In particular the circuit identification code value indicated in the label of a message must be allocated to a circuit.

The maintenance oriented circuit group blocking (unblocking) procedures set (remove) the same blocking states as the blocking (unblocking) procedures. This means that a blocking state set by a maintenance oriented circuit group blocking message or indicated as blocked for maintenance purposes in the status field of a circuit group reset acknowledgement message can be removed by an unblocking message. Similarly, a blocking state set by a blocking message can be removed by a maintenance oriented circuit group unblocking message.

The maintenance blocked state set by maintenance oriented circuit group blocking message, by a status indicator in a circuit group reset acknowledgement message or a blocking message cannot be removed by a hardware oriented circuit group unblocking message.

The range of circuits to be blocked (unblocked) is indicated in the range field. Those circuits within the range that have to be blocked (unblocked) are indicated in the status field. The same rule applies to the acknowledgements.

For the circuits blocked for maintenance reasons the same conditions apply and the same actions have to be taken as described in 2.8.2.1.

For the circuits seized by ongoing calls or call attempts and blocked for reasons of hardware failure the following actions will be taken:

- all interconnected circuits have to be released by the appropriate messages;
- the affected circuits are set to the condition "idle hardware blocked" without any exchange of release messages.

## Superseded by a more recent version

The fact that a circuit is engaged on a call will not delay the transmission of the corresponding circuit group blocking (unblocking) acknowledgement message.

The hardware blocked state can only be removed by a hardware failure oriented circuit group unblocking message.

For all instances of circuit group blocking the maintenance system should be notified at both ends of the circuit(s).

### 2.8.2.3 Abnormal blocking and circuit group blocking procedures

The following procedures are designed to cover abnormal cases which may occur in the circuit group blocking/unblocking procedures.

- i) If a circuit group blocking message is received relating to remotely blocked circuits, then blocking acknowledgement indications for those circuits are given in the status field of the corresponding circuit group blocking acknowledgement message which will be sent in response.
- ii) If a circuit group unblocking message is received relating to circuits which are not in the state remotely blocked, then unblocking acknowledgement indications for those circuits are given in the status field of the corresponding circuit group unblocking acknowledgement message which will be sent in response.
- iii) When an exchange upon receipt of a circuit group blocking (unblocking) message is not able to give an appropriate blocking (unblocking) acknowledgement indication for each circuit identification code [e.g. because that/those circuit identification code(s) is(are) not allocated to any circuit at the receiving exchange] for which also a blocking (unblocking) indication is given in the status field of the received group blocking (unblocking) message, then no blocking (unblocking) acknowledgement indication relating to that/those circuit identification code(s) will be given in the status field of the corresponding circuit group blocking (unblocking) acknowledgement message which will be sent in response.
- iv) If a circuit group blocking acknowledgement message in response to a circuit group blocking message is received containing in the status field the indications no blocking acknowledgement for the circuits which are to be blocked due to the previously sent circuit group blocking message, then the maintenance system should be notified for the concerned circuits. The same rule applies to the unblocking procedures.
- v) If a circuit group blocking acknowledgement message in response to a circuit group blocking message is received containing in the status field blocking acknowledgement indications for the circuits which are not to be blocked due to the previously sent circuit group blocking message and are not marked locally blocked, then the maintenance system should be notified for the circuits concerned.
- vi) If a circuit group unblocking acknowledgement message in response to a group unblocking message is received containing in the status field unblocking acknowledgement indications for circuits which are not to be unblocked due to the previously sent circuit group unblocking message and have to remain marked locally blocked, then the maintenance system should be notified for the circuits concerned.
- vii) If a circuit group blocking acknowledgement message which is not expected as an acknowledgement for any circuit group blocking message is received:
  - relating to circuits which all are in the status locally blocked the received circuit group blocking acknowledgement will be discarded;
  - relating to circuits part or all of which are not in the status locally blocked then the maintenance system should be notified for the relevant circuits.

## Superseded by a more recent version

- viii) If a circuit group unblocking acknowledgement message which is not expected as an acknowledgement for any circuit group unblocking message is received:
  - relating to circuits none of which is in the status locally blocked then the circuit group unblocking acknowledgement message will be discarded;
  - relating to circuits part or all of which are locally blocked then the maintenance system should be notified for the relevant circuits.
- ix) If a circuit group blocking (unblocking) message or a circuit group blocking (unblocking) acknowledgement message refers to status changes for more than 32 circuits, the receiving exchange shall discard that message.
- x) If a blocking message is received for a blocked circuit, a blocking acknowledgement message will be sent.
- xi) If an unblocking message is received for an unblocked circuit, an unblocking acknowledgement message will be sent.
- xii) If a blocking acknowledgement message, which is not expected as an acknowledgement for a blocking message, is received:
  - relating to a circuit which is locally blocked, the blocking acknowledgement message is discarded;
  - relating to a circuit which is not locally blocked, then the maintenance system should be notified.
- xiii) If an unblocking acknowledgement message, which is not an expected response to an unblocking message, is received:
  - relating to a circuit which is not locally blocked, the received unblocking acknowledgement message is discarded;
  - relating to a circuit which is locally blocked then the maintenance system should be notified.
- xiv) If a non-test initial address message is received on a remotely blocked circuit, the remotely blocked state of the circuit is removed and the initial address message is processed normally unless the circuit is also locally blocked in which case the initial address message is discarded. This applies to the blocking state whether maintenance, hardware or both. However it should not be the preferred method of unblocking a circuit.
- xv) When an exchange receives a circuit group blocking (unblocking) acknowledgement message which indicates circuits that are not under ISDN User Part control (except for the circuit in the label of the message), these circuits will be ignored.

### 2.8.3 Circuit group query (national use)

#### 2.8.3.1 General

The circuit group query test allows an exchange to audit the state of a circuit on a demand or routine basis.

The value N of the range field of the circuit group query message, including N = 0 for a single circuit, indicates the range to be tested. The maximum value of N is 31. If that value is exceeded the circuit group query message is discarded.

#### 2.8.3.2 Interpretation of circuit states

For the purposes of circuit query procedures, there are states which are classified into four major categories, as follows:

## Superseded by a more recent version

- 1) unequipped and transient conditions;
- 2) call processing states;
- 3) maintenance blocking states;
- 4) hardware blocking states.

The two states "unequipped" and "transient" do not overlap with other states.

Call processing states include:

- 1) idle;
- 2) circuit incoming busy;
- 3) circuit outgoing busy.

Maintenance blocking states include:

- 1) unblocked;
- 2) remotely blocked;
- 3) locally blocked;
- 4) locally and remotely blocked.

Hardware blocking states include:

- 1) unblocked;
- 2) remotely blocked;
- 3) locally blocked;
- 4) locally and remotely blocked.

A circuit is "unequipped" if the circuit is not available for ISDN User Part. Call processing or maintenance action cannot be performed on it. This is a unique state and will not overlap with any other state.

The "transient" state refers to any transient call processing or maintenance states.

Call processing is in a transient state:

- a) after having sent an initial address message and waiting for the first backward message (whether a suspended call is in a transient state in the context of circuit group query is for further consideration); or
- b) after having sent a release message and waiting for the release complete message.

Transient maintenance states are those, where the exchange after having sent a (group) (un)blocking message is awaiting the proper (group) (un)blocking acknowledgement message from the remote exchange.

The circuit state is also considered transient as long as a circuit (group) reset message has not been acknowledged.

The "idle" state is a call-processing state of an equipped, non-busy circuit. The "circuit incoming busy" or "circuit outgoing busy" refers to a stable call processing state.

The hardware or maintenance "remotely blocked" state refers to the state marked by the exchange when the far-end exchange initiates blocking. The maintenance blocking state can coexist with "idle", "circuit incoming busy", or "circuit outgoing busy" state. The hardware blocking state can only coexist with the "idle" call processing state, as calls are immediately released when hardware blocking is invoked.

## Superseded by a more recent version

The hardware or maintenance "locally blocked" state refers to the state marked by the exchange when it initiated blocking to the far-end exchange and the proper acknowledgement was received. The maintenance blocking state can co-exist with "idle", "circuit incoming busy", or "circuit outgoing busy" state. The hardware blocking state can only co-exist with the "idle" call processing state, as calls are immediately released when hardware blocking is invoked.

To initiate the circuit group query procedure, the sending exchange sends a circuit group query message indicating in the routing label and range field those circuits to be audited. If no response to the circuit group query message is received before timer T28 expires, maintenance systems should be informed.

The receiving exchange will process the circuit group query message, and return a circuit group query response message setting the circuit state indicators to the state of the circuits being audited.

If this circuit group procedure uncovers discrepancies in the state of a circuit as perceived at the two ends, the action to be taken in order to align the two views is for further study.

### 2.9 Abnormal conditions

#### 2.9.1 Dual seizure

Because Signalling System No. 7 circuits have the capability of both-way operation, it is possible that the two exchanges will attempt to seize the same circuit at approximately the same time.

##### 2.9.1.1 Unguarded interval

The exchange must detect dual seizure and take action as defined in 2.9.1.4.

##### 2.9.1.2 Detection of dual seizure

A dual seizure is detected by an exchange from the fact that it receives an initial address message for a circuit for which it has sent an initial address message, but before it receives a valid backwards message.

As a circuit group may handle a mixture of 64 kbit/s, multirate connection types and  $N \times 64$  kbit/s connection type, dual seizure by calls of different connection types is possible. In this case the initial address messages may have different circuit identification codes.

##### 2.9.1.3 Preventive action

Different methods for circuit selection can be envisaged to minimize the occurrence of dual seizure. In the following, two methods are described. For both-way circuit groups supporting multirate connection types, method 1 only (described below) should be used. For both-way circuit groups not supporting multirate connection types either method 1 or 2 may be used. Further study is required to determine the field of application of each method and to ensure that the two methods do inter-work satisfactorily.

Other methods for circuit selection may also be used provided that they give the same degree of protection against dual seizure also when one of the methods specified is used at the other end.

#### Method 1

An opposite order of selection is used at each exchange of a both-way circuit group.

#### Method 2

Each exchange of a both-way circuit group has priority access to the group of circuits which it is controlling (see 2.9.1.4). Of this group the circuit which has been released the longest is selected (first-in, first-out). In addition each exchange of a both-way circuit group has non-priority access to

## Superseded by a more recent version

the group of circuits which it is non-controlling. Of this group the latest released circuit is selected (last-in, first-out) if all circuits in the group are busy.

It is necessary to take preventive action in cases where Signalling System No. 7 uses a signalling data link with long propagation time.

### 2.9.1.4 Action to be taken on detection of dual seizures

In the event of dual seizure, one exchange will be the control exchange and the other the non-control exchange. On detection of a dual seizure, the call being processed by the control exchange will be completed and the received initial address message will be disregarded. If the initial address message has been segmented using a segmentation message, then this second segment will also be disregarded. Any following subsequent address message(s) will also be disregarded.

Under these conditions, the call being processed by the control exchange will be allowed to mature. The call being processed by the non-control exchange will be backed off and the switch-path released. A release message will not be sent. The non-control exchange will make an automatic repeat attempt on the same or on an alternative route.

The control exchange will be determined as follows.

- a) *Where neither call involved is a multirate connection type or  $N \times 64$  kbit/s connection type*  
Each exchange will control one half of the circuits in a both-way circuit group. The exchange with the higher signalling point code will control all even-numbered circuits (circuit identification code) and the other exchange the odd-numbered circuits.
- b) *Where the calls involved are of different connection types*  
The exchange processing the call involving the greater number of 64 kbit/s circuits will be the control exchange.
- c) *Where both calls are of the same multirate connection type*  
The circuit identification code used in the initial address message shall be divided by the number of 64 kbit/s circuits required by the call; the integer part of this operation shall be taken as the result (i.e. any fraction part shall be discarded):
  - if the result is even then the exchange with the higher signalling point code shall control the connection;
  - if the result is odd then the exchange with the lower signalling point code shall control the connection.
- d) *Where at least one of the calls involved is of  $N \times 64$  kbit/s connection types*  
One of the exchanges will control, by prior bilateral agreement, all the circuits derived from the digital path supporting the  $N \times 64$  kbit/s connection.

### 2.9.2 Transmission alarm handling for digital inter-exchange circuits

When fully digital circuits are provided between two exchanges, which have some inherent fault indication feature giving an indication to the switching system when faults on transmission systems are detected, the switching system should inhibit selection of the circuits concerned for the period the fault conditions persist.

### 2.9.3 Reset of circuits and circuit groups

In systems which maintain circuit status in memory there may be occasions when the memory becomes mutilated. In such a case the circuits must be reset to the idle condition at both exchanges to make them available for new traffic. Since the exchange with the mutilated memory does not know

## Superseded by a more recent version

whether the circuits are idle, busy outgoing, busy incoming, blocked, etc., reset circuit messages or a circuit group reset message should be sent as appropriate for the affected circuits.

### 2.9.3.1 Reset circuit message

If only a few circuits are concerned, a reset circuit message should be sent for each affected circuit.

On receipt of a reset circuit message the receiving (unaffected) exchange will:

- a) if it is the incoming or outgoing exchange on a connection in any state of call set-up or during a call, accept the message as a release message and respond by sending a release complete message, after the circuit has been made idle;
- b) if the circuit is in the idle condition, accept the message as a release message and respond by sending a release complete message;
- c) if it has previously sent a blocking message, or if it is unable to release the circuit as described above, respond by the blocking message. If an incoming or outgoing call is in progress, this call should be released and the circuit returned to the "idle, blocked" state. A release complete message is sent following the blocking message. The blocking message should be acknowledged by the affected exchange. If the acknowledgement is not received, the repetition procedure specified in 2.9.4 should be followed;
- d) if it has previously received a blocking message, respond by releasing a possible outgoing call or call attempt on the circuit, remove the blocked condition, restore the circuit to the idle state, and respond with a release complete message;
- e) if the message is received after the sending of an initial address message but before receipt of a backward message relating to that call, clear the circuit and make an automatic repeat attempt on another circuit if appropriate;
- f) if the message is received after having sent a reset circuit message, respond by a release complete message. After receipt of the appropriate acknowledgement message, the circuit should be made available for service;
- g) clear any interconnected circuits by the appropriate method (e.g. release).
- h) when the reset circuit message identifies a circuit being used by a multirate connection type or  $N \times 64$  kbit/s connection type call, in addition, in order to make idle all circuits used for the call but not indicated in the reset circuit message, send reset circuit messages (or circuit group reset messages) for those circuits to the affected exchange. Alternatively, the exchange receiving the reset message may, before completing the reset procedure, clear those circuits used for the call but not indicated in the reset message, using the normal release procedure.

The affected exchange will then reconstruct its memory according to the received response(s) to the reset circuit and respond to the message(s) in the normal way, i.e. blocking acknowledgement message in response to a blocking message.

If no release complete message is received in acknowledgement to the reset circuit message before 15-60 seconds, (T16) the reset circuit message should be repeated. If an acknowledgement for the message is not received within 5-15 minutes (T17) after the initial reset circuit message, the maintenance system should be notified. However, the sending of the reset circuit message should continue at 5-15 minutes (T17) intervals until maintenance intervention occurs.

### 2.9.3.2 Circuit group reset message

If a considerable number of circuits or all circuits are affected by a memory mutilation, (a) circuit group reset message(s) should be used to make them available for new traffic.

The maximum number of circuits to be reset with a circuit group reset message is limited to 32.

## Superseded by a more recent version

On receipt of a circuit group reset message the receiving (unaffected) exchange will:

- a) restore the circuits to the idle state;
- b) send the appropriate circuit group blocking message(s) if it had previously sent a hardware failure oriented circuit group blocking message;
- c) respond by a circuit group reset acknowledgement message in which the status indicator bits of the circuits available for service or blocked for reasons of hardware failure are coded 0 and the status indicator bits of all circuits blocked for maintenance reasons are set to 1;
- d) if it had previously received (a) blocking message(s) or (a) circuit group blocking message(s) for one or more of the circuit(s) involved, the blocked condition will be removed and the circuits will be made available for service;
- e) if a circuit group reset message is received concerning circuits for which a circuit group reset message or reset circuit message(s) have been sent, the circuits concerned are made available for service after receipt of the appropriate acknowledgement message;
- f) appropriate messages should be sent on interconnected circuits to release them;
- g) when the circuit group reset message identifies circuits being used by a multirate connection type or  $N \times 64$  kbit/s connection type call, in addition, in order to make idle all circuits used for the call but not indicated in the circuit group reset message, send reset circuit messages (or circuit group reset messages) for those circuits to the affected exchange. Alternatively, the exchange receiving the reset message may, before completing the reset procedure, clear those circuits used for the call but not indicated in the reset message, using the normal release procedure.

The affected exchange will then reconstruct its memory according to the possibly received circuit group blocking messages and the received circuit group reset acknowledgement message. It will respond to the possibly received circuit group blocking messages in the normal way.

If no acknowledgement to a circuit group reset message is received before 15-60 seconds (T22) the circuit group reset message should be repeated. If an acknowledgement for the circuit group reset message is not received within 5-15 minutes (T23) after sending the initial circuit group reset message the maintenance system should be notified. However, the sending of the circuit group reset message should continue at 5-15 minutes (T23) intervals until maintenance intervention occurs.

A correct acknowledgement should match the original circuit group reset message in range and circuit identification code indicated in the routing label. The circuit identification code in the routing label of both circuit group reset messages and circuit group reset acknowledgement messages should belong to a circuit whose control is allocated to the ISDN User Part.

All circuit identification codes in the range of a circuit group reset and circuit group reset acknowledgement message must belong to circuits whose control is allocated to the ISDN User Part.

### 2.9.3.3 Abnormal circuit group reset message procedures

- i) If a circuit group reset message is received indicating reset of more circuits than allowed by the receiving exchange, it is discarded.
- ii) If a circuit group reset acknowledgement message is received which is not a correct response to a sent circuit group reset message, it is discarded.
- iii) If a circuit group reset message is received requesting reset of circuits that are not controlled by the ISDN User Part, or a circuit group reset acknowledgement message that contains circuit identification codes that are not controlled by the ISDN User Part, the message is discarded.



# Superseded by a more recent version

## 2.9.4 Failure in the blocking/unblocking sequence

An exchange will repeat the blocking (unblocking) message or the circuit group blocking (unblocking) message on failure to receive the appropriate acknowledgement in response to one of these messages before 15-60 seconds (T12, T14, T18, T20 appropriately). (See 2.8.2.)

If the appropriate acknowledgement is not received within a period of 5-15 minutes (T13, T15, T19, T21 appropriately) after sending the initial blocking (unblocking) message or group blocking (unblocking) message, the maintenance system should be alerted, the repetition of the blocking (unblocking) message or circuit group blocking (unblocking) message should be continued at the intervals specified by T13, T15, T19 and T21, respectively, until maintenance intervention occurs and the circuit(s) taken out of (returned to) service as appropriate.

## 2.9.5 Receipt of unreasonable signalling information messages

The Message Transfer Part of the signalling system will avoid mis-sequencing, or double delivery, of messages with a high reliability (Recommendation Q.706 [14]). However undetected errors at the signalling link level and exchange malfunctions may produce signalling information messages that are either ambiguous or inappropriate.

Unreasonable or unexpected signalling information may also be received at an exchange due to differing levels of signalling protocol enhancements at different exchanges within a network: an exchange using a more enhanced version of the protocol may send information to a less enhanced exchange which is outside the protocol definition supported at that exchange.

The degree of applicability of the procedures below at exchanges where there are differences between the capabilities of the incoming and outgoing signalling systems, e.g. between the national and international sides of a gateway, is for further study.

The procedures listed below do not include the procedures for the blocking, circuit group blocking and the circuit group reset, these are covered in 2.8.2.3 and 2.9.3.3 respectively.

The following are considered message format errors:

- a) The message length is less than the number of octets required for the fixed mandatory part, the mandatory variable pointers and the start of optional parameters pointer.
- b) A mandatory variable or start of optional parameter's pointer points beyond the message length.
- c) A mandatory variable or optional parameter's length indicator causes the overall message length to be exceeded.

When a message format error is detected the message shall be discarded.

NOTE – A format error can only be detected when the message is recognized.

For the purposes of format error detection, the message length may be interpreted as either:

- i) received message length; or
- ii) maximum message length (272 octets).

Interpretation i) is preferred as it will detect errors which may not be found by interpretation ii). However it is not contained in the MTP Recommendations that the received message length is passed to its users by the MTP.

### 2.9.5.1 Handling of unexpected messages

An unexpected message is one which contains a message type code that is within the set supported at this exchange, but is not expected to be received in the current state of the call.

## Superseded by a more recent version

In order to resolve possible ambiguities in the state of a circuit when unexpected messages are received the following will apply:

- a) if a release message is received relating to an idle circuit it will be acknowledged with a release complete message;
- b) if a release complete message is received relating to an idle circuit it will be discarded;
- c) if a release complete message is received relating to a busy circuit for which a release message has not been sent, the circuit will be released and a release message will be sent;
- d) if a segmentation message is received and if the circuit is seized by the call, in case the segmentation has not been announced in the simple segmentation indicator the segmentation message shall be discarded;
- e) if a release complete message is received identifying one of the busy circuits being used by a multirate connection type or  $N \times 64$  kbit/s connection type call for which a release message has not been sent, the call will be cleared, all circuits made idle and a release message sent indicating the lowest circuit identification code of the multiple 64 kbit/s circuits used by the call;
- f) if other unexpected signalling messages are received, the following actions will be undertaken:
  - if the circuit is idle, the reset circuit message is sent;
  - if the circuit is seized by a call, after receipt of a backward message required for the call set-up, the unexpected signalling message is discarded, except in certain cases, see item c);
  - if the circuit is seized by a call, before receipt of a backward message required for the call set-up, the Reset Circuit Message is sent (or, in the case of a multirate connection type or  $N \times 64$  kbit/s connection type call, a circuit group reset message or multiple reset circuit messages are sent). If the circuit is seized by an incoming call, any interconnected circuits will be released. If the circuit is seized by an outgoing call, an automatic repeat attempt is provided on another circuit.

### 2.9.5.2 General requirements on receipt of unrecognized signalling information messages and parameters

It may happen that an exchange receives unrecognized signalling information, i.e. messages, parameter types or parameter values. This can typically be caused by the upgrading of the signalling system used by other exchanges in the network. In these cases the following compatibility procedures are invoked to ensure the predictable network behaviour.

The procedures to be used on receipt of unrecognized information make use of:

- a) compatibility information received in the same message as the unrecognized information;
- b) the Confusion message;
- c) the Release message;
- d) the Release Complete message;
- e) the Facility Reject message; or
- f) the Cause Indicators parameter; the following cause values are used:
  - (#97) message type non-existent or not implemented, discarded;
  - (#99) parameter non-existent or not implemented, discarded;
  - (#103) parameter non-existent or not implemented, passed on (Note 1);
  - (#110) message with unrecognized parameter, discarded.

## Superseded by a more recent version

NOTE 1 – This cause value may be received from a *Blue Book* (1988) ISDN User Part, but will not be generated from a (1997) ISDN User Part.

For all the above cause values a diagnostic field is included containing, dependent on the cause value either, the unrecognized parameter name(s), the message type code, or the message type code and the unrecognized parameter name(s).

The procedures are based on the following assumptions:

- i) Signalling for a facility completely provided between the originating and destination local exchanges could utilize one of the end-to-end methods defined in Recommendation Q.730 [16], i.e. such facilities do not have to be supported by transit exchanges.
- ii) The forward compatibility information contains different instructions for different exchanges. There are two types of exchanges, type A and type B exchanges. The classification of type A and B exchanges to the functional type an exchange may perform is listed below. It is determined on a per call basis. The classification of an exchange to the functional type can change during a call due to, for example, supplementary services.

### *Type A*

- Originating exchange, i.e. the exchange in which the call is generated from a national public network point of view.
- Destination exchange, i.e. the exchange to which the call is destined from a national public network point of view.
- Interworking exchange, i.e. the exchange in which interworking is performed between ISDN User Part and other user parts or signalling systems.
- Incoming or outgoing international exchange (Note 2).

NOTE 2 – In an incoming or outgoing international exchange, the instruction to pass on a message or a parameter does not preclude the normal policing functions of these exchanges. It is recommended that an exchange interconnecting two national networks should behave as an incoming or outgoing international exchange.

### *Type B*

- National or international transit exchange, i.e. an exchange that acts just as a transit node.
- iii) Since type A and type B exchanges can be both national and international exchanges, the compatibility mechanism is applicable to the national and international network.
  - iv) As a minimum, all implementations must recognize all messages specified in Table 4/Q.761 [18] and all parameters specified in Table 5/Q.761 [18].
  - v) If an exchange receives a confusion, a release, a release complete or facility reject message indicating an unrecognized message or parameter received, it assumes interaction with an exchange at a different functional level. See 2.9.5.3 for more details on this.
  - vi) All unrecognized messages that can be received only contain parameters coded as optional parameters, no "new" messages will contain mandatory fixed or mandatory variable parameters.

If messages are received without compatibility information and are not recognized, they are discarded and the confusion message is sent.

When an unrecognized parameter or message is received, the exchange should find some corresponding instructions contained in the parameter compatibility information or message compatibility information parameters respectively. The parameter compatibility information parameter may contain compatibility instructions for more than one parameter. The message

## Superseded by a more recent version

compatibility information parameter contains the instructions specific for the handling of the complete message.

If the exchange does not find instructions in an appropriate compatibility parameter or if the compatibility parameter is not found in the message, the actions default to a basic action. Details of this are found in 2.9.5.3.

The instruction indicators are a set of Boolean indicators. The following general rules apply to the examination of these instruction indicators:

- i) Depending on the role of the exchange in the call, i.e. type A or type B, and the settings of the indicators only a subset of the indicators are examined, some being ignored.  
Only type B exchanges examine the "Transit at Intermediate Exchange indicator". If it is set to "Transit Interpretation", the other indicators are ignored. If it is set to "End Node Interpretation", the actions in accordance with the setting of the remaining indicators are performed.  
Type A exchanges always interpret the remaining indicators, i.e. all indicators except the "Transit at Intermediate Exchange indicator".  
Consequently, "End Node Interpretation" means that all kinds of exchanges, i.e. type A and type B, have to interpret the instruction indicators.
- ii) Instruction indicators marked as "spare" are not examined. They may be used by future versions of the ISDN User Part; in this case the future version of the ISDN User Part will set the currently defined instruction indicators to a reasonable value for the current version. This rule ensures that more types of instructions can be defined in the future without creating a backward compatibility problem.
- iii) An exchange must decide what exchange type it is for the before performing compatibility actions.
- iv) At a type B exchange the unrecognized information should be passed on unchanged, if the "Transit at Intermediate exchange indicator" is set to "Transit Interpretation".
- v) At a type B exchange that has not been instructed to pass on the unrecognized information, if the "Release Call indicator" is set to "Release Call", the call is released.  
At a type A exchange, the call is released if the "Release Call indicator" is set to "Release Call".
- vi) At a type B exchange that has not been instructed to pass on the unrecognized information or at a type A exchange, in any case the following is applicable if the "Release Call indicator" is set to "Do Not Release Call":
  - if the "Discard Message indicator", or the "Discard Parameter indicator" is set to "Discard Message/Discard Parameter", the message or parameter is discarded, as instructed,
  - and then, if the "Send Notification indicator" is set to "Send Notification", a confusion message is sent towards the exchange that sent the unrecognized information.
- vii) For the case of an unrecognized parameter it is possible for the instruction to require that either the unrecognized parameter or the whole message is discarded. This provides for the case where the sending exchange determines that it is not acceptable for the message to continue being processed without this parameter.
- viii) In case a parameter is included more than once in the same message, the instruction indicator of the parameter compatibility information parameter is set according to the most stringent combination of the possible codings (i.e. the coding "1" of a bit in the instruction indicator is dominant).

## **Superseded by a more recent version**

- ix) In case a message is used for more than one procedure related to the same call and the codings of the instruction indicator of the message compatibility information parameter described in the corresponding texts are different, the instruction indicator is set according to the most stringent combination of the possible codings (i.e. the coding "1" of a bit in the instruction indicator is dominant).
- x) At a type A exchange where "pass on" has been specified for a message or parameter and "pass on" is not possible, then the "pass on not possible indicator" and "send notification indicator" are checked.
- xi) In case of for example a repeat attempt if a confusion message is sent or passed on with the indication that a parameter of an IAM is discarded, this parameter shall not be sent in a new Initial address message.
- xii) If an exchange applies the instruction "discard message" according to the parameter compatibility information parameter, it should discard the first segment and its possible associated segmentation message whenever timer T34 has been started.
- xiii) If unrecognized information is received at a broadband/narrow-band interworking point, the broadband/narrow-band interworking indicator is checked.
- xiv) Tables 10 and 11 clarify the handling of the received compatibility information:

## Superseded by a more recent version

**Table 10/Q.764 – On receipt of message compatibility information parameter**

Instruction indicator			Required action
B	C	D	
0	X	0	Pass on message (Notes 1, 2 and 3)
0	0	1	Discard message
0	1	1	Discard message and send notification
1	X	X	Release call (Note 1)
Bit	B	Release call indicator	
	0	Do not release call	
	1	Release call	
Bit	C	Send notification indicator	
	0	Do not send notification	
	1	Send notification	
Bit	D	Discard message indicator	
	0	Do not discard message (pass on)	
	1	Discard message	
If pass on is set (bit D = 0) but not possible then bits C and E are checked.			
Bit	E	Pass on not possible indicator	
	0	Release call	
	1	Discard information	
Bit	GF	Broadband/narrow-band interworking indicator	
	00	Pass on	
	01	Discard message	
	10	Release call	
	11	Reserved, assume "00"	
NOTE 1 – "x" = don't care.			
NOTE 2 – Applicable to type B exchanges and incoming or outgoing international exchanges. Other exchanges (e.g. originating, terminating, interworking) check bit E to determine the required action.			
NOTE 3 – In case of passing on a message, no notification is sent, bit C is ignored.			

# Superseded by a more recent version

**Table 11/Q.764 – On receipt of parameter compatibility information parameter**

Instruction indicator				Required action
B	C	D	E	
0	X	0	0	Pass on parameter (Notes 1 and 2)
0	0	0	1	Discard parameter
0	0	1	0	Discard message
0	0	1	1	Discard message
0	1	0	1	Discard parameter and send notification
0	1	1	0	Discard message and send notification
0	1	1	1	Discard message and send notification
1	X	X	X	Release call (Note 1)
Bit	B	Release call indicator		
	0	Do not release call		
	1	Release call		
Bit	C	Send notification indicator		
	0	Do not send notification		
	1	Send notification		
Bit	D	Discard message indicator		
	0	Do not discard message (pass on)		
	1	Discard message		
Bit	E	Discard parameter indicator		
	0	Do not discard parameter (pass on)		
	1	Discard parameter		
If pass on is set (bit D = 0 and bit E = 0 ) but not possible, bits C, F and G are checked.				
Bit	GF	Pass on not possible indicator		
	00	Release call		
	01	Discard message		
	10	Discard parameter		
	11	Reserved in 1993 version, assume "00"		
Bit	JI	Broadband/narrow-band interworking indicator		
	00	Pass on		
	01	Discard message		
	10	Release call		
	11	Discard parameter		
NOTE 1 – 1 "x" = don't care.				
NOTE 2 – Applicable to type B exchanges and incoming or outgoing international exchanges. Other exchanges (i.e. originating, terminating, interworking) shall check Bits G and F to determine the required action.				

### 2.9.5.3 Procedures for the handling of the unrecognized messages or parameters

A confusion message must not be sent in response to a received confusion, facility reject, release or release complete message. Any unrecognized parameters received in a confusion, facility reject or

## Superseded by a more recent version

release complete message are discarded. Any unrecognized mandatory parameter value received in a confusion or facility reject message will result in the message being discarded.

### 2.9.5.3.1 Unrecognized messages

#### 1) *Actions at type A exchanges*

##### a) Compatibility parameter received

Depending on the instructions received in the "Message Compatibility Information parameter", a type A exchange receiving an unrecognized message will either:

- transfer the message transparently (Note 1);
- discard the message;
- discard the message and send confusion; or
- release the call.

NOTE 1 – The transparent passing of a message is only applicable when the signalling is ISUP'92 or a later version.

A release and a confusion message shall include the cause value #97 (message type non-existent or not implemented-discarded), followed by a diagnostic field containing the message type code.

##### b) Compatibility parameter not received

If an unrecognized message is received without "Message compatibility Information parameter" at an exchange, the message is discarded and a confusion message is returned. A confusion message shall include the cause value # 97, "message type non-existent or not implemented – discarded", followed by a diagnostic field containing the message type code.

NOTE 2 – All messages not included in Table 4/Q.761 [18] may be regarded as unrecognized. As a minimum all implementations must recognize all messages specified in Table 4/Q.761 [18].

#### 2) *Actions at type B exchange*

##### a) Compatibility parameter received

Depending on the instructions received in the "Message Compatibility Information parameter", a type B exchange receiving an unrecognized message will either:

- transfer the message transparently;
- discard the message;
- discard the message and send confusion; or
- release the call.

A confusion message shall include the cause value #97 (message type non-existent or not implemented-discarded), followed by a diagnostic field containing the message type code.

A release message shall include the cause value #97, "message type non-existent or not implemented – discarded", followed by a diagnostic field containing the message type code.

NOTE 3 – All messages not included in Table 4/Q.761 [18] may be regarded as unrecognized. As a minimum all implementations must recognize all messages specified in Table 4/Q.761 [18].



## Superseded by a more recent version

### b) Compatibility parameter not received

If an unrecognized message is received without "Message compatibility Information parameter" at an exchange, the message is discarded and a confusion message is returned. A confusion message shall include the cause value #97 (message type non-existent or not implemented-discarded), followed by a diagnostic field containing the message type code.

### 2.9.5.3.2 Unrecognized parameters

Receipt of unrecognized parameters can only refer to optional parameters, since mandatory parameters will always be recognized by their location in a message.

The minimum set of recognized parameters is contained in Table 5/Q.761 [18]. Unexpected parameters (a parameter in the "wrong" message) are handled like unrecognized parameters.

#### i) *Actions at type A exchange*

##### a) Compatibility parameter received

Depending on the instructions received in the "Parameter Compatibility Information parameter", a type A exchange receiving an unrecognized parameter will either:

- transfer the parameter transparently;
- discard the parameter;
- discard the message;
- discard the parameter and send confusion;
- discard the message and send confusion; or
- release the call.

NOTE – The transparent passing of a parameter is only applicable when the signalling is ISUP'92 or a later version.

A confusion message shall include the cause value #99 (parameter non-existent or not implemented-discarded) followed by a diagnostic field containing the parameter name, or #110 (message with unrecognized parameter-discarded), followed by a diagnostic field containing the message name and the name of the first detected unrecognized parameter which caused the message to be discarded. A confusion message may refer to multiple unrecognized parameters.

A release message shall include the cause value #99 (parameter non-existent or not implemented-discarded) followed by a diagnostic field containing the parameter name.

If an unrecognized parameter is received in a facility request message, the parameter is handled like unrecognized parameters in other messages.

If a release message is received containing an unrecognized parameter, depending on the instructions received in the compatibility information parameter, a type A exchange will either:

- discard the parameter; or
- discard the parameter and send a cause 99, "parameter non-existent or not implemented-discarded", in the release complete message.

### b) Compatibility parameter not received

If an exchange receives and detects an unrecognized parameter without a "Parameter Compatibility Information parameter", the actions taken will be dependent on whether the unrecognized parameter is passed on or discarded. If the unrecognized parameter is discarded, a confusion message is sent to the exchange from which the unrecognized

## Superseded by a more recent version

parameter was received. The confusion message contains the cause value #99 (parameter non-existent or not implemented-discarded), followed by a diagnostic field containing the parameter name. A confusion message may refer to multiple unrecognized parameters. If the unrecognized parameter is passed on unmodified, no subsequent actions are necessary.

If a facility request message is received with unrecognized parameters, the message is discarded and a facility reject message is returned including the cause value #99 (parameter non-existent or not implemented-discarded), followed by the parameter name code in the diagnostic field.

If a release message containing an unrecognized parameter is received at a type A exchange, a release complete message is returned including the cause value #99 (parameter non-existent or not implemented-discarded).

### ii) *Actions at type B exchange*

#### a) Compatibility parameter received

Depending on the instructions received in the "Parameter Compatibility Information parameter", a type B exchange receiving an unrecognized parameter will either:

- transfer the parameter transparently;
- discard the parameter;
- discard the message;
- discard the parameter and send confusion;
- discard the message and send confusion; or
- release the call.

A confusion message shall include the cause value #99 (parameter non-existent or not implemented-discarded) followed by a diagnostic field containing the parameter name, or #110 (message with unrecognized parameter-discarded), followed by a diagnostic field containing the message name and the name of the first detected unrecognized parameter which caused the message to be discarded. A confusion message may refer to multiple unrecognized parameters. If the unrecognized parameter is passed on unmodified, no subsequent actions are necessary.

A release message shall include the cause value #99 (parameter non-existent or not implemented-discarded), followed by a diagnostic field containing the parameter name.

If an unrecognized parameter is received in a facility request message, the parameter is handled like unrecognized parameters in other messages.

Depending on the instructions received in the "Parameter Compatibility Information parameter", an exchange receiving an unrecognized parameter in a release message will either:

- transfer the parameter transparently;
- discard the parameter; or
- discard the parameter and send a cause 99, "parameter non-existent or not implemented – discarded", in the release complete message.

#### b) Compatibility parameter not received

If an exchange receives and detects an unrecognized parameter without a "Parameter Compatibility Information parameter", the actions taken will be dependent on whether the unrecognized parameter is passed on or discarded. If the unrecognized parameter is discarded, a confusion message is sent to the exchange from which the unrecognized

## Superseded by a more recent version

parameter was received. The confusion message contains the cause value #99 (parameter non-existent or not implemented-discarded), followed by a diagnostic field containing the parameter name. A confusion message may refer to multiple unrecognized parameters. If the unrecognized parameter is passed on unmodified, no subsequent actions are necessary.

If a facility request message is received with unrecognized parameters, the message is discarded and a facility reject message is returned including the cause value #99 (parameter non-existent or not implemented-discarded), followed by the parameter name code in the diagnostic field.

If a release message containing an unrecognized parameter that cannot be passed on is received at a type B exchange, a release complete message is returned including the cause value #99 (parameter non-existent or not implemented-discarded).

### 2.9.5.3.3 Unrecognized parameter values

Any parameter values marked as "spare", "reserved" or "national use" in Recommendation Q.763 [19] may be regarded as unrecognized.

If an exchange receives and detects a recognized parameter, but the contents are unrecognized, then the actions are as defined as below:

#### a) *Unrecognized mandatory parameter values*

Unrecognized mandatory parameter values can only occur for parameters defined in messages of the *Blue Book* 1988 ISDN User Part. This ISDN User Part does not contain any mandatory parameters in new messages.

If an exchange receives and detects an unrecognized mandatory parameter value, the actions taken in the different types of exchanges will be dependent on Tables A.1 and A.2/Q.763 [19].

If a Facility Request message is received with unrecognized mandatory parameter value(s) the actions to be taken are described in the above mentioned tables, i.e. the message is discarded and a Facility Reject message is returned including the cause value #99 (parameter non-existent or not implemented-discarded), followed by the parameter name code in the diagnostic field indicating the first detected unrecognized parameter.

If a Release message is received with unrecognized mandatory parameter value(s) the actions to be taken are described in the above mentioned tables.

#### b) *Unrecognized optional parameter values*

The procedures as stated for unrecognized parameters apply. There is no specific compatibility information field for each parameter value. For all parameter values contained in a parameter, the compatibility information of the parameter applies.

If unrecognized parameter values are received and detected in optional parameters which are already defined in *Blue Book* Recommendation Q.763 [19], the actions taken will be dependent on the tables contained in Recommendation Q.763 [19].

### 2.9.5.4 Procedures for the handling of responses indicating unrecognized information has been sent

#### 2.9.5.4.1 Type A exchanges

Action taken on receipt of these messages at an originating or terminating exchange will depend on the call state and the affected service.

## Superseded by a more recent version

The definition of any procedure that is outside the basic call set-up protocol, as defined in this Recommendation, should include procedures for handling responses that indicate that another exchange has received, but not recognized, information belonging to that procedure. The procedure receiving this response should take the appropriate actions.

The default action taken on receipt of a confusion message is to discard the message without disrupting normal call processing.

### 2.9.5.4.2 Type B exchanges

- i) *Confusion (message type non-existent or not implemented-discarded)*  
An exchange receiving confusion (message type non-existent or not implemented-discarded) has to determine the appropriate subsequent actions as described for type A exchanges in the above subclause.
- ii) *Confusion (parameter non-existent or not implemented-discarded, or passed on)*  
The actions taken at a type B exchange, on receipt of a confusion message will depend on whether the exchange has the functionality to generate the parameter identified in the diagnostic field:
  - a) If the exchange does not have the functionality to generate the parameter, the decision on what action should be taken is deferred to an exchange that does contain this functionality. This is achieved by passing the confusion message transparently through the type B exchange.
  - b) If this exchange does have the functionality to generate the parameter, the procedural element that created or modified the information should determine any subsequent actions, as described for type A exchanges above.
- iii) *Facility reject*  
If a type B exchange does not have the capability to take action on receipt of facility reject, it should pass the message transparently to the preceding or succeeding exchange.
- iv) *Release and release complete*  
Action taken on receipt of a release or a release complete message with cause indicating unrecognized information is as for the normal procedures for these messages.

The above actions are summarized in Table 12.

**Table 12a/Q.764 – Handling of responses indicating unrecognized information has been sent**

	Exchange has the functionality to generate the information			
	Cause			
Message	Parameter discarded	Parameter passed on	Message discarded	Message passed on
Confusion	(Procedure dependent action)			
Facility reject	Normal procedures	Procedure depend. Action	Not applicable	Not applicable
Release	Normal procedures	Not applicable	Not applicable	Not applicable
Release complete	Normal procedures	Normal procedures	Not applicable	Not applicable

# Superseded by a more recent version

**Table 12b/Q.764 – Handling of responses indicating unrecognized information has been sent**

	Exchange does not have the functionality to generate the information			
	Cause			
Message	Parameter discarded	Parameter passed on	Message discarded	Message passed on
Confusion	Defer action (transit confusion)			
Facility reject	Defer action (transit)			
Release	Normal procedures	Not applicable	Not applicable	Not applicable
Release complete	Normal procedures	Normal procedures	Not applicable	Not applicable

## 2.9.5.5 Procedures for handling unreasonable information

If a message is received that

- a) is of valid type, i.e. it is not unexpected or unrecognized as described in 2.9.5.1 and 2.9.5.3; and
- b) it contains parameters of recognized type and value, i.e. the procedures in 2.9.5.3 do not apply,

it is still possible that the contents of the message are unreasonable. This can be as a result of conflicting information within the message. The following example of this is identified.

- The Protocol Control Indicators, (in either the Forward or Backward call indicators) can contain conflicting information. e.g. End-to-End Method Indicator set to "no method available", but the SCCP Method Indicator set to indicate that an SCCP method is available. This situation should be handled by assuming the lower network capability for the affected parameter.

## 2.9.6 Failure to receive a "release complete" message – Timer T1 and T5

If a release complete message is not received in response to a release message before expiry of timer (T1) the exchange will retransmit the release message.

On transmitting the initial release message, a 5-15 minute timer (T5) is started. If no release complete message is received on the expiry of this timer (T5), the exchange shall:

- i) send a reset circuit message;
- ii) alert the maintenance system;
- iii) remove the circuit from service;
- iv) continue the sending of the reset circuit message at 5-15 minute intervals until maintenance action occurs.

## 2.9.7 Failure to receive a response to an information request message (national use)

If a response is not received in response to an information request message before timer T33 expires, the exchange will release the connection and the maintenance system may be informed.

# Superseded by a more recent version

## 2.9.8 Other failure conditions

### 2.9.8.1 Inability to release in response to a release message

If an exchange is unable to return the circuit to the idle condition in response to a release message, it should immediately remove the circuit from service, alert the maintenance system and send the blocking message.

Upon receipt of the blocking acknowledgement message, the release complete message is sent in acknowledgement of the release message.

### 2.9.8.2 Call-failure

The call-failure indication (cause value #31) is sent in a release message (see 2.2) whenever a call attempt fails and other specific cause values do not apply. Reception of the release message at any Signalling System No. 7 exchange will cause the release message to be sent to preceding exchanges. If the signalling does not permit the release message to be sent, the appropriate signal, tone or announcement is sent to preceding exchanges.

### 2.9.8.3 Abnormal release conditions

If the conditions for normal release as covered in 2.3 are not fulfilled, release will take place under the following conditions:

a) *Outgoing international or national controlling exchange*

The exchange shall:

- release all equipment and the connection on failure to meet the conditions for normal release of address and routing information before 20-30 seconds after sending the latest address message;
- release all equipment and release the connection on failure to receive an answer message within time T9 specified in Recommendation Q.118 [10] after the receipt of the address complete message. The call is released in the backward direction with cause value #19 (no answer from user; user alerted).

b) *Incoming international exchange*

An incoming international exchange shall release all equipment and the connection into the national network and send back a release message in the following cases:

- on failure to receive a continuity message if applicable before 10-15 seconds (T8) after receipt of the initial address message; or
- on failure to receive a backward signal from a national network (where expected) before 20-30 seconds (T7) after receipt of the latest address message; or
- on receipt of a release message after an address complete message has been generated; or
- on failure to receive an address message before 15-20 seconds (T35) after receipt of the latest address message and before the minimum or fixed number of digits have been received.

The procedures for the release message are detailed in 2.2.2.

c) *Transit exchange*

The exchange shall release all equipment and the connection and send back the release message in the following cases:

- on failure to receive a continuity message if applicable before 10-15 seconds after receipt of the initial address message; or

## Superseded by a more recent version

- on failure to meet the conditions for normal release as covered in 2.3 before 20-30 seconds after sending the latest address message; or
- on failure to receive an address message before 15-20 seconds (T35) after receipt of the latest address message and before the minimum or fixed number of digits have been received.

The procedures for the release message are detailed in 2.2.2.

### 2.9.9 Temporary Trunk Blocking (TTB) (national use)

TTB is essentially a means of blocking circuits on a route, for a predetermined period, to reduce traffic to an exchange which has invoked load control. Circuits are removed from service on a per circuit basis under delay time-out conditions applied by the unaffected exchange, on receipt of an overload message.

#### 2.9.9.1 Procedures

##### a) *Non priority call set-up to an exchange subject to load control*

###### i) Actions at originating exchange

In an originating exchange, calls originating from non-priority class lines will not set the calling party category parameter field to "subscriber with priority" in the outgoing initial address message.

###### ii) Actions at an intermediate or terminating exchange

When an initial address message is received by an exchange which is subject to load control and the calling party category parameter does not indicate a priority call, the initial address message is not processed and an overload message is returned to the preceding exchange.

###### iii) Actions on receipt of the overload message

At an originating, or intermediate exchange receipt of the overload message shall cause the following actions:

- A timer (T3) is started, value 2 minutes. On expiry of the timer the release procedure shall be initiated for the circuit concerned. During the overload time-out period the circuit concerned is not available for traffic from the affected node to the unaffected node.
- The call attempt will be continued on an alternative route if available. If not the call will be released in the backward direction with cause value # 42 (switching equipment congestion).

##### b) *Priority call set-up to an exchange subject to load control*

###### i) Actions at originating exchange

In an originating exchange, calls originating from priority class lines will set the calling party category parameter field to "subscriber with priority" in the outgoing initial address message.

###### ii) Actions at intermediate or terminating exchange

At an intermediate or terminating exchange where load control has been invoked, the priority call will override the load control and the call will continue in its attempt to be set up.

# Superseded by a more recent version

## 2.10 ISDN User Part signalling congestion control

### 2.10.1 General

On receipt of congestion indication [contained in MTP status primitives (see also 11.2.3/Q.704 [13])] the ISDN User Part should reduce traffic load (e.g. call attempts) into the affected destination point code in several steps.

### 2.10.2 Procedures

When the first congestion indication is received by the ISDN User Part, the traffic load into the affected destination point code is reduced by one step. At the same time two timers T29 and T30 are started. During T29 all received congestion indications for the same destination point code are ignored in order not to reduce traffic too rapidly. Reception of a congestion indication after the expiry of T29, but still during T30, will decrease the traffic load by one more step and restart T29 and T30. This stepwise reduction of the ISDN User Part signalling traffic is continued until maximum reduction is obtained by arriving at the last step. If T30 expires (i.e. no congestion indications having been received during the T30 period), traffic will be increased by one step and T30 will be restarted unless full traffic load has been resumed.

Timers T29 and T30 have the following values:

- T29 = 300-600 ms;
- T30 = 5-10 s.

The number of steps of traffic reduction and the type and/or amount of increase/decrease of traffic load at the various steps are considered to be an implementation matter.

## 2.11 Automatic congestion control

Automatic Congestion Control (ACC) is used when an exchange is in an overload condition (see also Recommendation Q.542 [11]). Two levels of congestion are distinguished, a less severe congestion threshold (congestion level 1) and a more severe congestion threshold (congestion level 2).

If either of the two congestion thresholds are reached, an automatic congestion level parameter is added to all release messages generated by the exchange. This parameter indicates the level of congestion (congestion level 1 or 2) to the adjacent exchanges. The adjacent exchanges, when receiving a release message containing an automatic congestion level parameter should reduce their traffic to the overload affected exchange.

If the overloaded exchange returns to a normal traffic load it will cease including automatic congestion level parameters in release messages.

The adjacent exchanges then, after a predetermined time, automatically return to their normal status.

### 2.11.1 Receipt of a release message containing an automatic congestion level parameter

When an exchange receives a release message containing an automatic congestion level parameter, the ISDN User Part should pass the appropriate information to the signalling system-independent network management/overload control function within the exchange. This information consists of the received congestion level information and the circuit identification to which the release message applies.

If the automatic congestion level procedure is not implemented, the automatic congestion level parameter is not acted upon and discarded as normal.

Automatic congestion level actions are applicable only at exchanges adjacent to the congested exchange. Therefore, an exchange that receives a release message containing an automatic



## **Superseded by a more recent version**

congestion level parameter should discard that parameter after notifying the network management/overload control function.

### **2.11.2 Actions taken during overload**

Whenever an exchange is in an overload state (congestion level 1 or 2), the signalling system independent-network management/overload control function will direct the ISDN User Part to include an automatic congestion level parameter in every release message transmitted by the exchange.

The network management/overload control function will indicate which congestion level (1 or 2) to code in the automatic congestion level parameter.

When the overload condition has ended the network management/overload control function will direct the ISDN User Part to cease including automatic congestion level parameters in the transmitted release messages.

### **2.12 Unequipped circuit identification code message (national use)**

An unequipped circuit identification code message is sent by an exchange in response to either the reception of an initial address message, a continuity check request message, a circuit supervision message, or a circuit group supervision message on which it is unable to act as a consequence of its inability to perform a circuit identification code translation.

If an unequipped circuit identification code message is received for an Signalling System No. 7 circuit which has been seized and an initial address message transmitted, the receiving exchange shall:

- 1) remove the indicated circuit from the service and report the circuit to the maintenance system for maintenance action;
- 2) re-attempt the call on another circuit providing the rejected attempt was a first attempt. If the rejected attempt was a second attempt, either a release message should be returned, (if the incoming circuit is an Signalling System No. 7) or a recorded announcement connected (if the incoming circuit is conventional).

If an unequipped circuit identification code message is received in response to the transmission of a circuit supervision message, or a continuity check request message, the circuit should be removed from the service and the circuit reported to the maintenance system for maintenance action.

An exchange receiving a circuit group supervision message whose circuit identification code in the routing label is unequipped, should respond with a unequipped circuit identification code message for the circuit in the label. This in effect is the acknowledgement to the initial message. An exchange receiving a circuit group message where the circuit identification code in the routing label is equipped but one or more of the indicated circuits by the range field is unequipped merely responds in the manner that it would have if the circuit were equipped. The unequipped state of the circuit(s) will be recovered when an initial address message, a continuity check request message, or circuit query message is received for the affected circuit(s).

An exchange receiving an unequipped circuit identification code message after having transmitted a circuit group supervision message removes the indicated circuit from service, assumes the regular acknowledgement message will not be received and treats the other circuits as though the responding exchange had not taken the action on the affected circuits indicated in the initial message.

# Superseded by a more recent version

## 2.13 ISDN User Part availability control

### 2.13.1 General

On receipt of a MTP-STATUS primitive with the cause "user part unavailability-inaccessible remote user" the ISDN User Part should mark the concerned user part unavailable and start the availability test procedure.

On receipt of a MTP-STATUS primitive with the cause "user part unavailability-unequipped remote user" the ISDN User Part should inform the management system.

### 2.13.2 Procedures

When an MTP-STATUS primitive with the cause "user part unavailability-inaccessible remote user" is received the network management/overload control function should be informed.

All circuits to that destination are blocked for new calls. Calls in progress need not be released even though signalling messages cannot be sent to the affected exchange. (While it may not be technically necessary to release calls in progress, network providers may choose to release such calls, perhaps after some time interval, if there is a concern about overcharging due to the exchange's inability to completely clear the call when either the calling or called party disconnects.)

The user part shall send a user part test message (using a circuit identification code that is equipped in both switches) to the remote user and starts timer T4 which supervises the receipt of an answer to the user part test message.

As a reaction to the user part test message the remote ISDN User Part sends the user part available message if it is available again.

If the user part test message is not recognized by the remote user part, a confusion message with cause 97 (message type non-existent or not implemented-discarded) is sent as a response.

All MTP-STATUS primitives with the cause "user part availability-inaccessible remote user" received while timer T4 is running are ignored.

On receipt of a user part available message or any other message timer T4 is stopped, the user part is marked available again and traffic is restarted. The circuits in the idle state can be used for calls immediately. Normal call release procedures that may have started during the period of signalling isolation continue and as such will ensure that affected circuits are returned to idle state.

On expiry of timer T4 the procedure is restarted.

When an MTP-STATUS primitive with the cause "user part unavailability-unequipped remote user" is received the management system should be informed to restrict further traffic. All circuits to that destination are blocked for new calls. Calls in progress need not be released even though signalling messages cannot be sent to the affected exchange. (While it may not be technically necessary to release calls in progress, network providers may choose to release such calls, perhaps after some time interval, if there is a concern about overcharging due to the exchange's inability to completely clear the call when either the calling or called party disconnects.)

The ISDN User Part should not initiate the availability test procedure for this case.

## 2.14 MTP Pause/Resume

On the reception of a MTP pause primitive, the ISDN User Part takes the following action:

If the affected destination is not a destination (Signalling Point) known by the ISDN User Part, (not connected by circuits to the exchange), no action takes place.

## **Superseded by a more recent version**

If the affected destination is a destination (Signalling Point) known by the ISDN User Part, all circuits are blocked for new calls.

Calls in progress need not be released even though signalling messages cannot be sent to the affected exchange. (While it may not be technically necessary to release calls in progress, network providers may choose to release such calls, perhaps after some time interval, if there is a concern about over-charging due to the exchange's inability to completely clear the call when either the calling or called party disconnects.)

On the reception of a MTP resume primitive, the ISDN User Part takes the following action:

If the affected destination is not a destination (Signalling Point) known by the ISDN User Part (not connected by circuits to the exchange), no action takes place.

If the affected destination is a destination (Signalling Point) known by the ISDN User Part, the circuits in the idle state can be used for calls immediately. Normal call release procedures that may have started during the period of signalling isolation continue and as such will ensure that affected circuits are returned to idle state .

### **2.15 Overlength messages**

If a sending exchange detects that a message to be sent exceeds the 272 octet MTP limit and the message is not able to be segmented or segmentation has already been applied, then the user-to-user information parameter (if present) should first be discarded followed by all unrecognized optional parameters to bring the message to within the 272 octet limit.

### **2.16 Support for Temporary Alternative Routing (TAR)**

As described in 3.2.3/E.412 [23], an exchange which has invoked the network management Temporary Alternative Routing (TAR) control shall include a "TAR controlled call" indication in an outgoing IAM.

A succeeding exchange which receives a TAR indicator indicating "TAR controlled call" in the network management controls parameter shall not apply network management Temporary Alternative routing (TAR) to the same call. The received TAR indicator shall be passed on unchanged.

### **2.17 Hop counter procedure**

The ISUP hop counter procedure is used to detect call set-up looping that can be caused by incorrect routing data. Incorrect routing data may be introduced when circuits (trunks) provisioning information between exchanges changes, especially when new circuits are added. The problem is temporary and can be corrected by correction of routing data. As such, the ISUP hop counter procedure is optional and can be deactivated when determined to be no longer needed. An exchange provisionable option to deactivate the hop counter procedure applies per outgoing SS7 trunk group (in term of this procedure, an SS7 trunk group includes all SS7 circuits between two exchanges). The default is active.

#### **2.17.1 Actions at the initiating exchange**

An originating exchange or an intermediate exchange shall originate the hop counter procedure if the hop counter capability is activated. The outgoing IAM shall include the hop counter parameter containing the initial count value.

The initial count value shall be provisionable by the network operator on a per exchange basis (31 maximum).

## **Superseded by a more recent version**

A call forwarding exchange receiving a Release message with cause #25 (exchange routing error), shall notify the management system of the exchange routing error and provide the called party number, identity of the succeeding exchange (via OPC and CIC), and the forwarding number. Cause value #31 (normal unspecified), shall be returned to the preceding exchange.

An originating exchange receiving a Release message with cause #25 (exchange routing error) shall notify the management system of the exchange routing error and provide the called party number, identity of the succeeding exchange (via OPC and CIC), and if available, the calling party number.

### **2.17.2 Actions at an intermediate exchange**

Intermediate exchanges, i.e. transit, gateway or interworking exchanges, actions are dependent upon whether a hop counter parameter is received from the preceding exchange and, if received, the result of decrementing the hop counter value.

If the hop counter parameter is received, the intermediate exchange shall decrement the hop counter value by 1. Subsequent actions are based on the result as described below:

- a) If the result equals 0, the exchange shall release the call by returning a Release message with cause value #25 (exchange routing error), to the preceding exchange. In addition, the management system shall be informed of the hop counter exhaust (value = 0), associated called party number, identity of the preceding exchange (via OPC and CIC), and if available, the calling party number.
- b) If result is greater than 0, the exchange shall include the hop counter parameter in the outgoing Initial Address Message.

### **2.17.3 Actions at the destination local exchange**

None. The exchange shall ignore the hop counter if received.

NOTE – Interaction with supplementary services and IN is for further study.

### **2.18 Call collect request procedure**

As described in Recommendation E.141 [25], a calling party may, during call set-up, invoke an operator service to request that a call be charged to a called party.

For such calls, the initial address message sent beyond the exchange providing the operator service, shall include the collect call request parameter coded to indicate "collect call requested".

On receipt of a "collect call requested" indication in an incoming initial address message, a terminating network may take such actions as it may consider appropriate in order to avoid the problem of uncollectable charges.

# Superseded by a more recent version

## ANNEX A

**Table A.1/Q.764 – Timers in the ISDN User Part**

Symbol	Time-out value	Cause for initiation	Normal termination	At expiry	Reference
T1	15-60 seconds	When release message is sent	At the receipt of Release complete message	Retransmit release message and start timer T1	2.9.6 2.2, 2.3
T2	3 minutes	When controlling exchange receives suspend (user) message	At receipt of resume (user) message at controlling exchange	Initiate release procedure	Rec. Q.733.4 [26]
T3	2 minutes	At receipt of overload message	On expiry	Initiate release procedure	2.9.9
T4	5-15 minutes	At receipt of MTP-STATUS primitive with the cause "inaccessible remote user "	On expiry, or at receipt of user part available message (or any other)	Send user part test message. Start T4	2.13.2
T5	5-15 minutes	When initial release message is sent	At receipt of release complete message	Send reset circuit message, alert maintenance personnel and remove the circuit from service, stop T1, start T17. Procedure continues until maintenance intervention occurs	2.9.6
T6	Covered in Rec. Q.118 [10]	When controlling exchange receives suspend (network)	At receipt of resume (network) message or release message	Initiate release procedure	2.4.1 2.4.2 2.4.3
T7	20-30 seconds	When the latest address message is sent	When the condition for normal release of address and routing information is met (receipt of ACM, CON messages)	Release all equipment and connection (send release message)	2.1.1 2.1.2 2.1.4 2.9.8.3
T8	10-15 seconds	When an exchange receives Initial address message requiring continuity check on this circuit or indicates that continuity check has been performed on a previous circuit	At receipt of continuity message	Release all equipment and connection into the network (send release message)	2.9.8.3
T9	Interval specified in Rec. Q.118 [10]	When national controlling or outgoing international exchange receives ACM	At the receipt of answer	Release connection send back release message	2.1.4 2.1.7 2.9.8.3

## Superseded by a more recent version

**Table A.1/Q.764 – Timers in the ISDN User Part** *(continued)*

Symbol	Time-out value	Cause for initiation	Normal termination	At expiry	Reference
T10	4-6 seconds	When last digit is received in interworking situations	At the receipt of fresh information	Send address complete message	2.1.2.1 2.1.4.9
T11	15-20 seconds	When latest address message is received in interworking situations	When ACM is sent	Send address complete message	2.1.4.9
T12	15-60 seconds	When blocking message is sent	At receipt of blocking acknowledgement	Retransmit blocking message and start T12	2.9.4
T13	5-15 minutes	When initial blocking message is sent	At receipt of blocking acknowledgement	Transmit blocking message and alert maintenance personnel, start T13, stop T12. Procedure continues until maintenance intervention occurs	2.9.4
T14	15-60 seconds	When unblocking message is sent	At receipt of unblocking acknowledgement	Retransmit unblocking message and start T14	2.9.4
T15	5-15 minutes	When initial unblocking message is sent	At receipt of unblocking acknowledgement	Retransmit unblocking message alert maintenance personnel, start T15 and stop T14. Procedure continues until maintenance intervention occurs	2.9.4
T16	15-60 seconds	When reset circuit message is sent not due to expiry of T5	At the receipt of the acknowledgement (RLC message)	Retransmit reset circuit message and start T16	2.9.3.1
T17	5-15 minutes	When initial reset circuit message is sent	At the receipt of the acknowledgement	Alert maintenance personnel, retransmit reset circuit message, start T17, stop T16. Procedure continues until maintenance intervention occurs	2.9.3.1
T18	15-60 seconds	When group blocking message is sent	At receipt of group blocking acknowledgement	Retransmit group blocking message and start T18	2.9.4
T19	5-15 minutes	When initial group blocking message is sent	At receipt of group blocking acknowledgement	Retransmit group blocking message, alert maintenance personnel, start T19, stop T18. Procedure continues until maintenance intervention occurs	2.9.4

# Superseded by a more recent version

**Table A.1/Q.764 – Timers in the ISDN User Part** *(continued)*

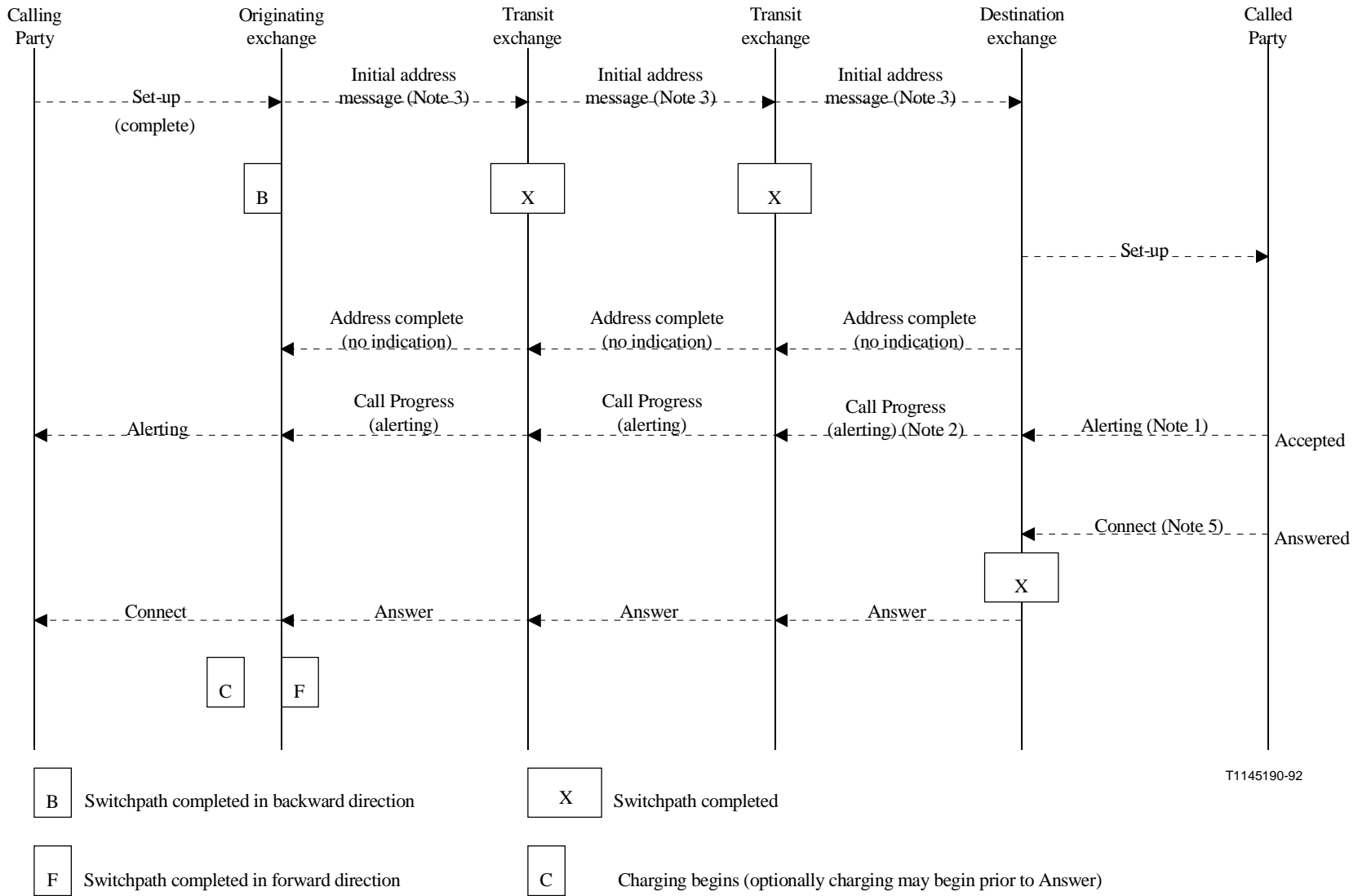
Symbol	Time-out value	Cause for initiation	Normal termination	At expiry	Reference
T20	15-60 seconds	When group unblocking message is sent	At receipt of group unblocking acknowledgement	Retransmit group unblocking message and start T20	2.9.4
T21	5-15 minutes	When initial group unblocking message is sent	At receipt of group unblocking acknowledgement	Retransmit group unblocking message, alert maintenance personnel, start T21, stop T20. Procedure continues until maintenance intervention occurs	2.9.4
T22	15-60 seconds	When circuit group reset message is sent	At receipt of the acknowledgement	Retransmit circuit group reset message and start T22	2.9.3.2
T23	5-15 minutes	When initial circuit group reset message is sent	At the receipt of the acknowledgement	Alert maintenance personnel and start T23, retransmit circuit group reset message, stop T22. Procedure continues until maintenance intervention occurs	2.9.3.2
T24	< 2 seconds	When check tone is sent	At the receipt of the backward check tone	Send continuity message with failure indication and: a) start T25 if continuity check was asked in IAM and make automatic repeat attempt, or b) start T24 if continuity check was asked in CCR	Rec. Q.724 [15]
T25	1-10 seconds	When initial continuity check failure is detected	–	Send CCR message and repeat continuity check	Rec. Q.724 [15]
T26	1-3 minutes	When second or subsequent continuity check failure is detected	–	Send CCR message and repeat continuity check	Rec. Q.724 [15]
T27	4 minutes	When continuity check failure is received	At receipt of continuity check request message	Send reset circuit message, start T16 and T17	2.1.8
T28	10 seconds	When send CQM	At receipt of CQR	Alert maintenance	2.9.3.2
T29	300-600 ms	Congestion indication received when T29 not running	–	New congestion indication will be taken into account	2.10.2

## Superseded by a more recent version

**Table A.1/Q.764 – Timers in the ISDN User Part (concluded)**

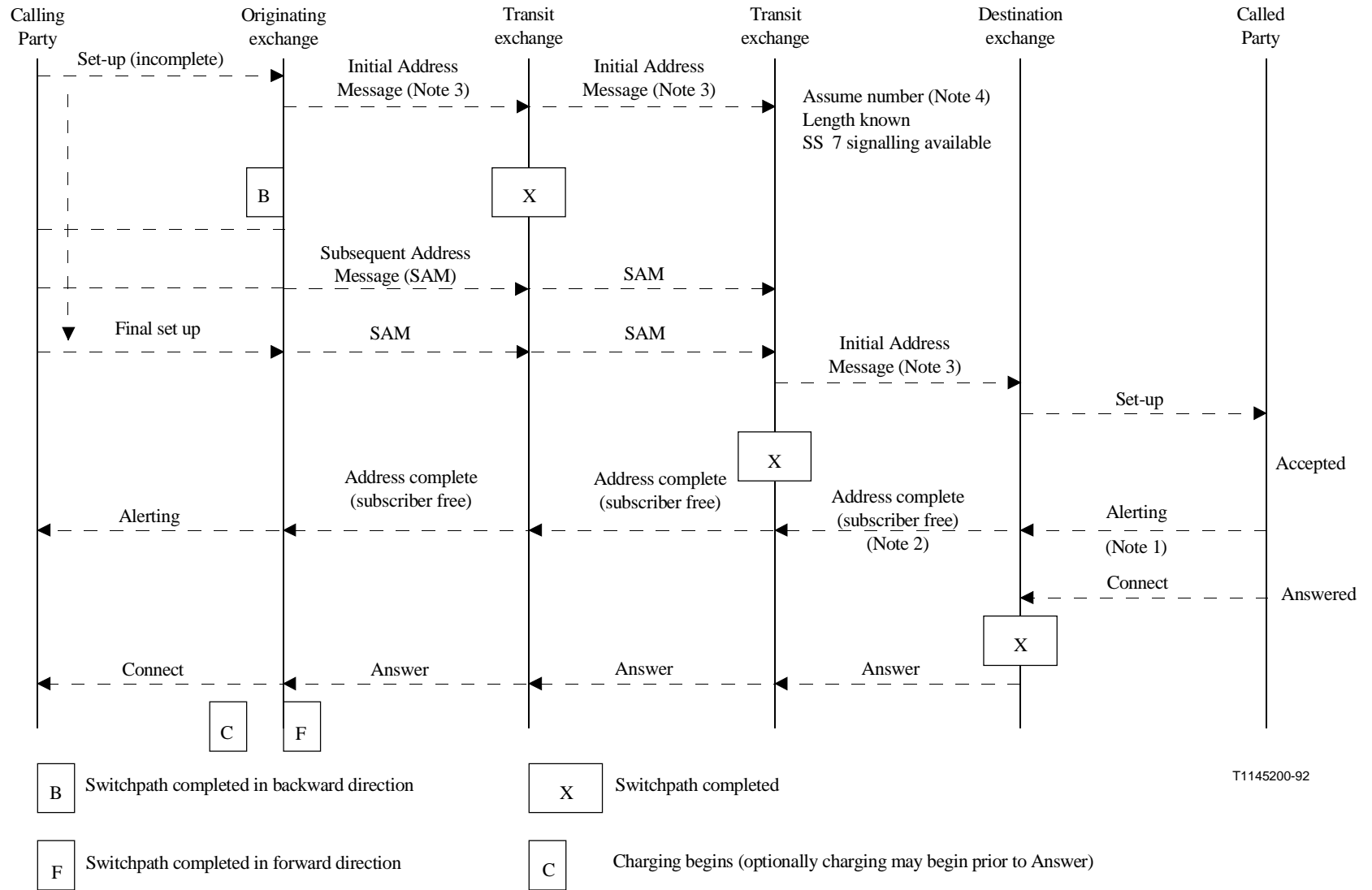
Symbol	Time-out value	Cause for initiation	Normal termination	At expiry	Reference
T30	5-10 seconds	Congestion indication received when T29 not running	–	Restore traffic by one step if not yet at full load and start T30	2.10.2
T31	> 6 minutes	Release of ISDN User part signalling connection based on CO SCCP	On expiry	Call reference reusable	Rec. Q.730 [16]
T32	3-5 seconds	When response to request of end-to-end connection establishment is sent	At receipt of first end-to-end message from the remote end	End-to-end message allowed to be sent	Rec. Q.730 [16]
T33	12-15 seconds	When send INR	On receipt of INF	Release call, alert maintenance personnel	2.1.6.2 2.9.7 Rec. Q.730 [16]
T34	2-4 seconds	When indication of a segmented message is received on an IAM, ACM, CPG, ANM or CON message	At receipt of a segmentation message	Proceed with call	2.1.12
T35	15-20 seconds	At receipt of the latest digit (<>ST) and before the minimum or fixed number of digits have been received	At receipt of ST or when the minimum or fixed number of digits have been received	Send release message (cause 28)	2.2.5 2.9.8.3
T36	10-15 seconds	When transit or incoming international exchange receives continuity check request message	At receipt of continuity or release message	Release all equipment , send reset circuit message, start T16 and T17	2.1.8
T37 – reserved for ISUP'92	2-4 seconds				
T38	Interval specified in Rec. Q.118 [10]	When the incoming international exchange sends to the preceding exchange a suspend (network) message	At receipt of resume (network) or release message	Send release message (cause 102)	2.4.1 2.4.2 2.4.3
T39	Interval specified in Rec. Q.730 [16]	When a MCID request is sent	At receipt of a MCID response	Call continues	Rec. Q.731.7 [27]





NOTE – For explanation of Notes, see at the end of Figure B.3.

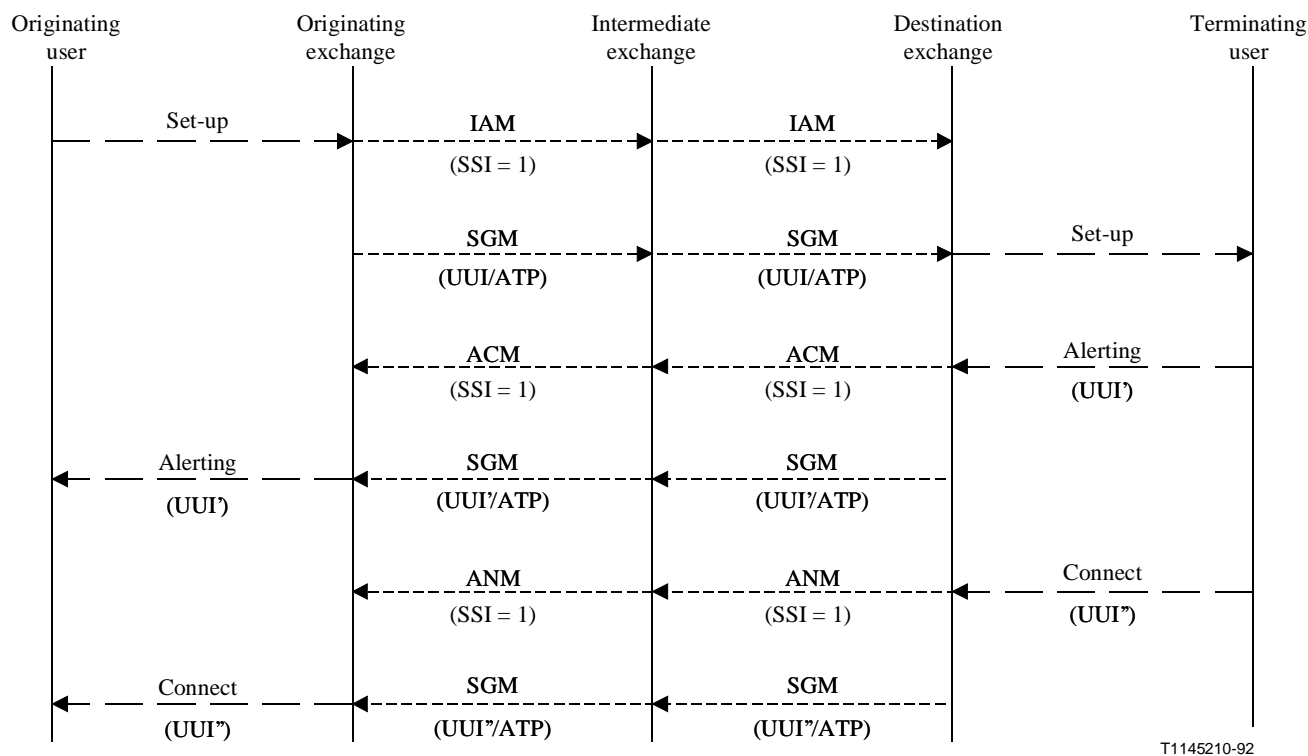
Figure B.1/Q.764 – Successful ordinary call (*en bloc* operation)



NOTE – For explanation of Notes, see at the end of Figure B.3.

Figure B.2/Q.764 – Successful ordinary call (overlap operation)

## Superseded by a more recent version



ATP	Access Transport Parameter
UII	User-to-User Information
ACM	Address Complete Message
ANM	Answer Message
IAM	Initial Address Message
SGM	Segmentation Message
SSI	Simple Segmentation Indicator

**Figure B.3/Q.764 – Successful call involving overlength messages**

### Notes referring to Figures B.1 to B.3

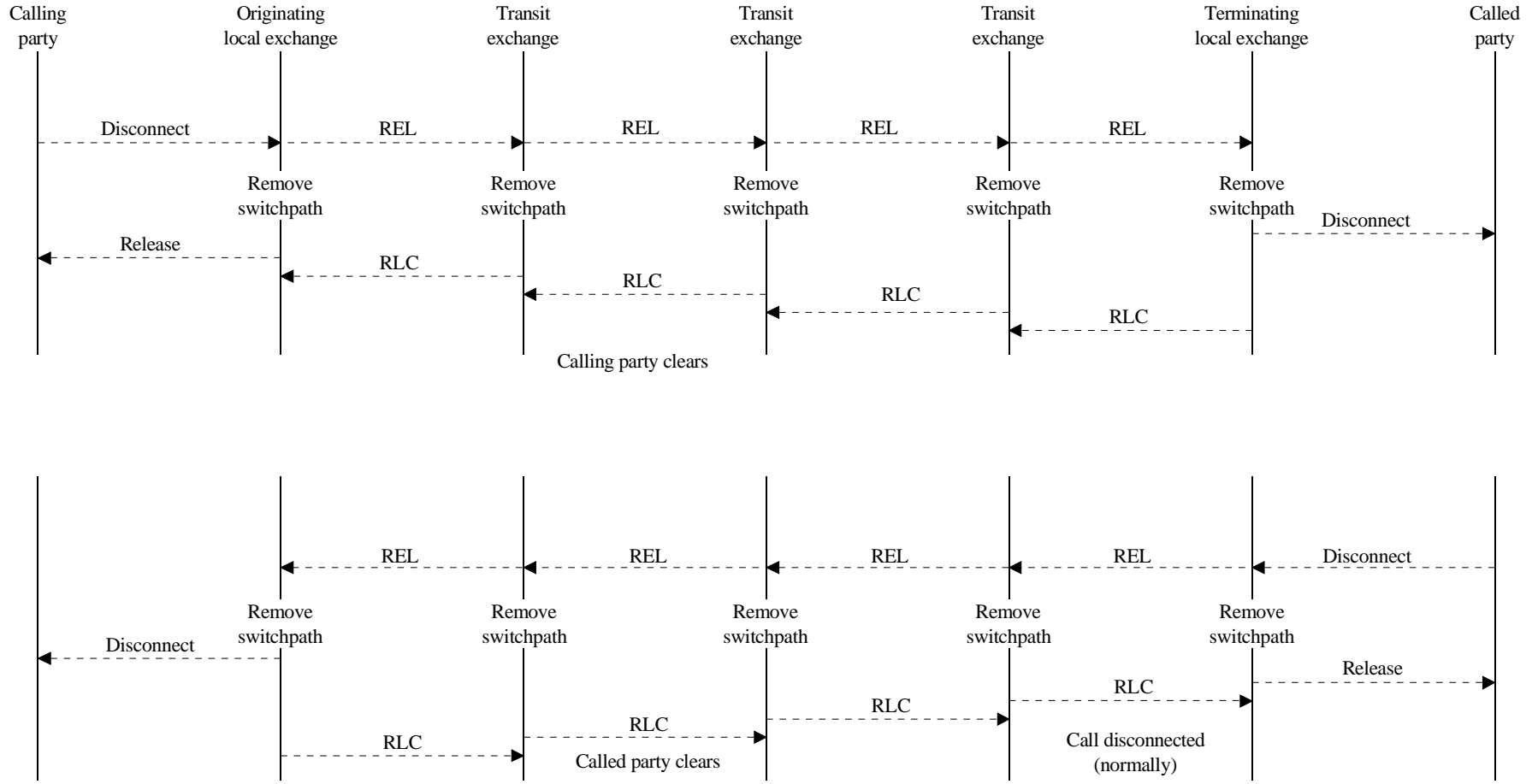
NOTE 1 – The alerting message may not be given by a called terminal having automatic answer. Under these circumstances the Connect Message will be sent as soon as the Connect Message is received and through-connection of the speech path has been completed.

NOTE 2 – For telephone calls within the ISDN, ringing tone will be applied by the terminating exchange as soon as it is known that the subscriber is free. In case of a PABX connected to the access interface there is the option of an early through-connection of the switchpath so that the in-band call arrival indication generated in the PABX is returned to the calling user. For data calls, ringing tone is not applied.

NOTE 3 – The continuity check may be applicable on an intermediate circuit.

NOTE 4 – This example assumes that the number length is known at the second transit exchange in order to illustrate the addition of SAMs to the IAM received. This function does not have to be performed in this way.

NOTE 5 – Access protocol example is for point-to-point operation only.



Superseded by a more recent version

Figure B.4/Q.764 – Normal call release

# Superseded by a more recent version

## ANNEX C

### Examples of echo control signalling procedures

The figures in this Annex provide examples of exchanges using enhanced and simple echo control signalling procedures interworking to exchanges with other versions of echo control signalling procedures. It is assumed in the figures that exchanges using simple echo control signalling will not have interworking with other exchanges using simple echo signalling but the arrangements are shown. This also applies to the examples at exchanges using the enhanced echo control signalling procedures. Simple echo control signalling in the examples is applicable for exchanges using echo control signalling procedures of *Blue Book* Q.764, Q.767, and the procedures in 2.7.3. The figures in this Annex illustrate the echo control device placement, and the values of the echo control device indicator (ecdi) in the Nature of Connection (NOC)/Backward Call Indicators (BCI) parameters and the values of the echo control information (eci) in the Echo Control Information (ECI) parameter. This set of examples is not exhaustive. The figures show only the indicators that are relevant for each example, and indicators conveying echo control information that are not shown in the figures should be set to "no information" or "not included".

The figures use the following special notations:

ecdi	echo control device indicator
eci	echo control information parameter
T	Start timer
*	Echo control device provided
x	Echo control device released
Ei	Incoming echo control device available
Eo	Outgoing echo control device available
i	Incoming echo control device
o	Outgoing echo control device
(-)	Propagation Delay below the threshold value
(+)	Propagation Delay above the threshold value
EC Init	Echo Control Initiating exchange

"enhanced" An exchange supporting the enhanced echo control signalling procedures according to the ISDN User Part Q.764 (1997 Recommendation) protocol (see 2.7.2).

"simple" An exchange supporting the simple echo control signalling procedures according to ISDN User Part Q.764 (1997) protocol (see 2.7.3).

"ISUP'92" An exchange supporting the echo control signalling procedures according to the ISDN User Part Q.764 (1992 Recommendation) protocol.

# Superseded by a more recent version

## C.0 Interworking model

See Figure C.0.

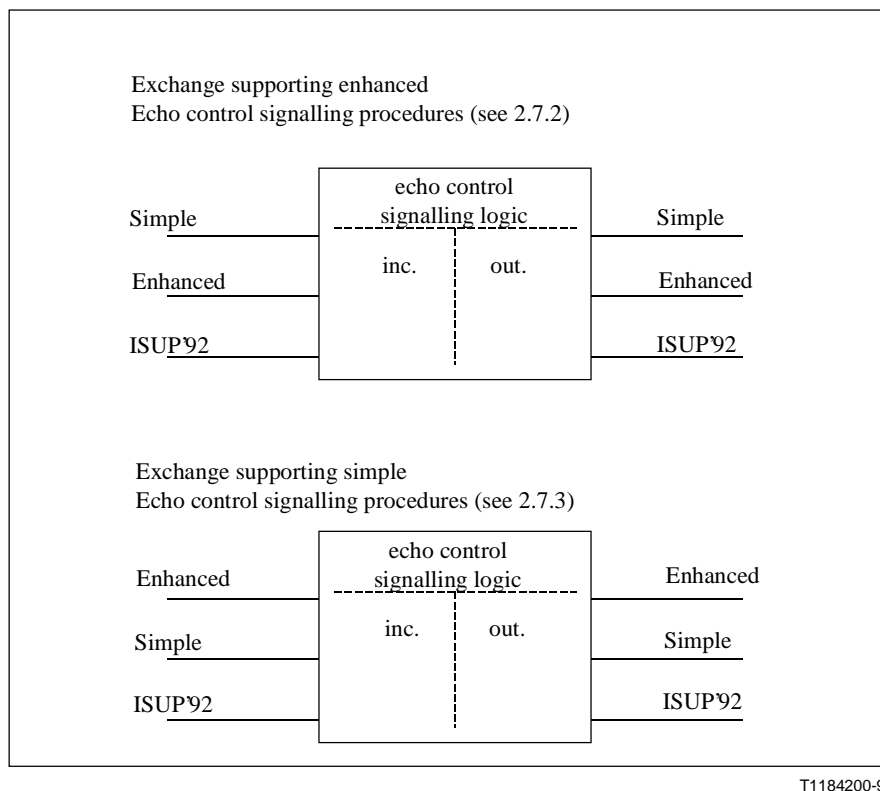


Figure C.0/Q.764

## C.1 Basic call set-up for the case where all exchanges support the enhanced echo control signalling procedures, and have echo control equipment available

See Figure C.1.

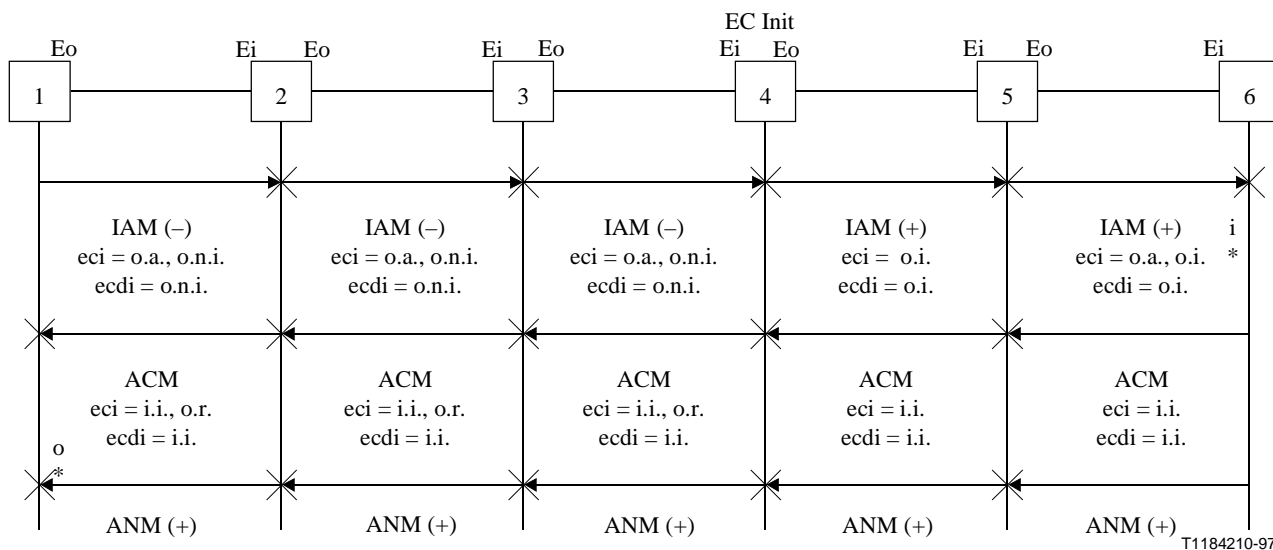


Figure C.1/Q.764

# Superseded by a more recent version

## C.2 Call set-up incorporating multiple forwarding for the case where all exchanges support the enhanced echo control signalling procedures, and echo control equipment is not available in all exchanges

See Figure C.2.

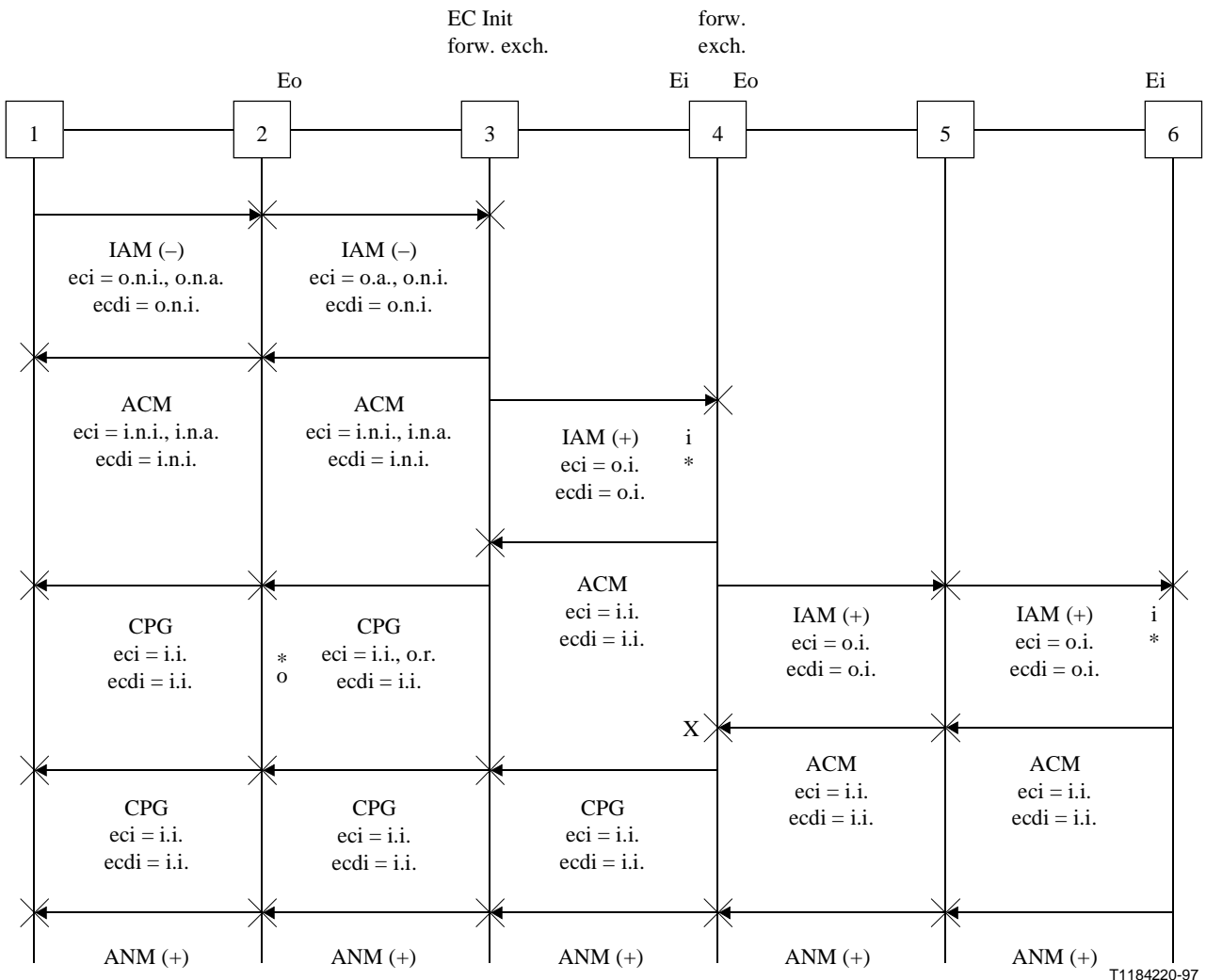


Figure C.2/Q.764

# Superseded by a more recent version

## C.3 Basic call set-up for the case where all exchanges support the enhanced echo control signalling procedures, and echo control equipment is not available in all exchanges

See Figure C.3.

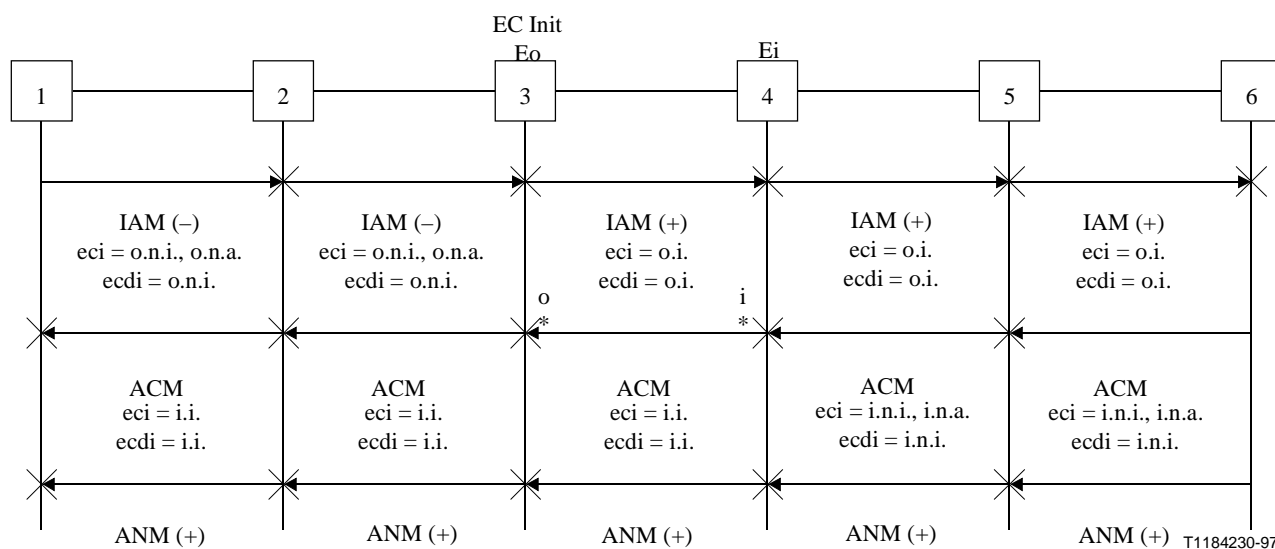


Figure C.3/Q.764

## C.4 Interworking with signalling systems in the preceding network that do not support the enhanced echo control logic control signalling procedures

### C.4.1 Interworking from the simple echo control signalling procedures

See Figure C.4-1.

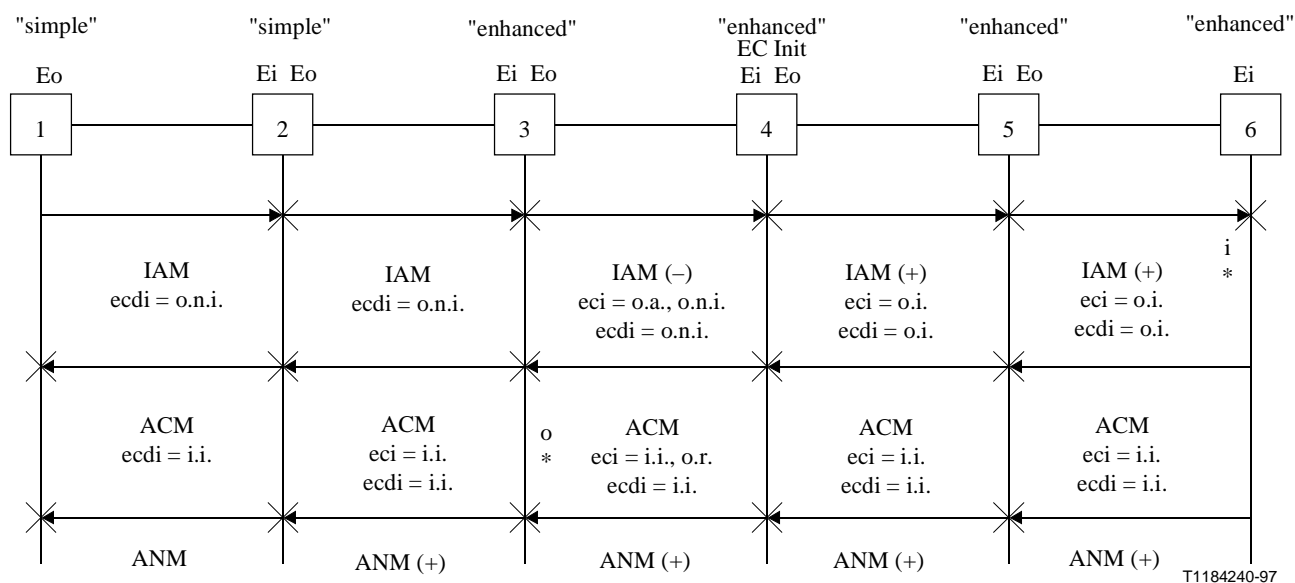


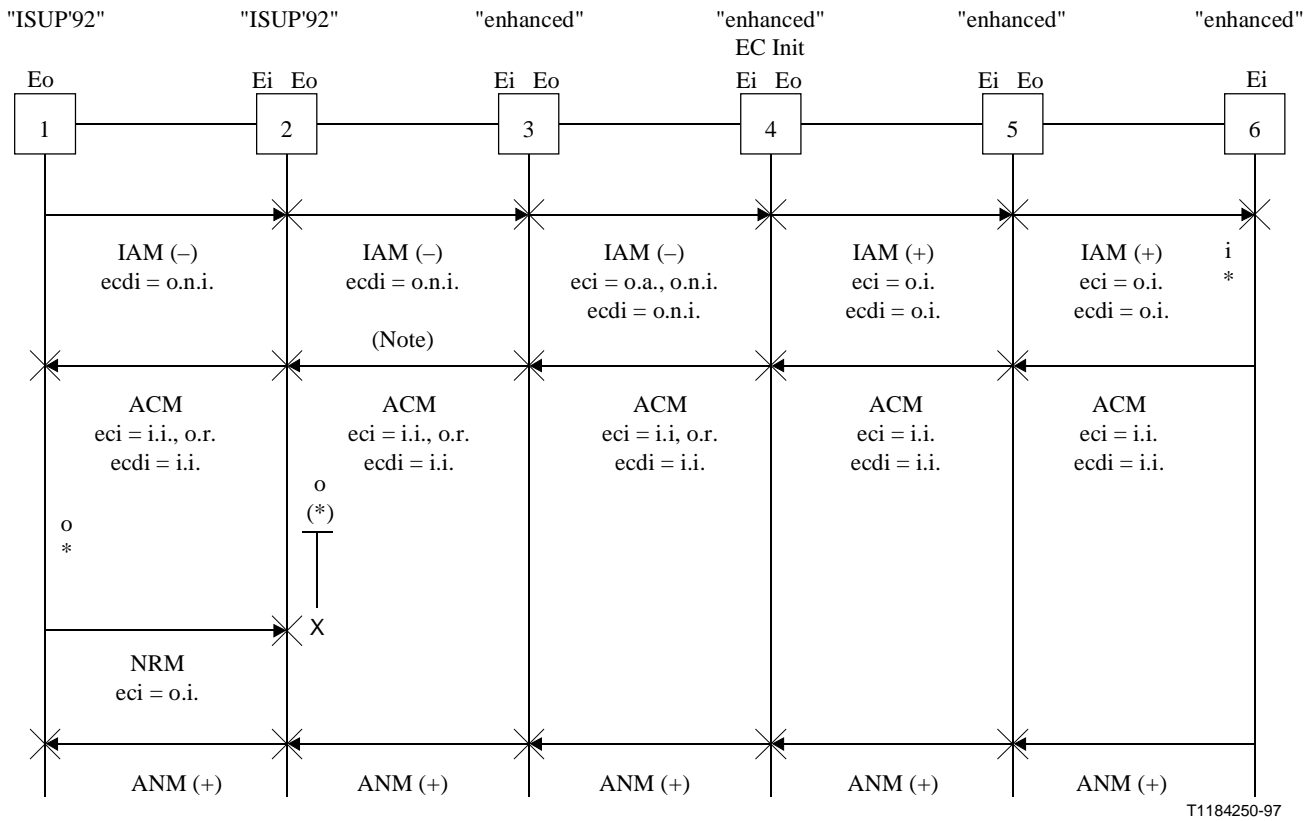
Figure C.4-1/Q.764



# Superseded by a more recent version

## C.4.2 Interworking from Q.764 (1992 version)

See Figure C.4-2.



NOTE – For the purpose of this example, exchange 3 knows that the preceding exchanges have OECDs available, and consequently passes on the request for that exchange to provide an OECD.

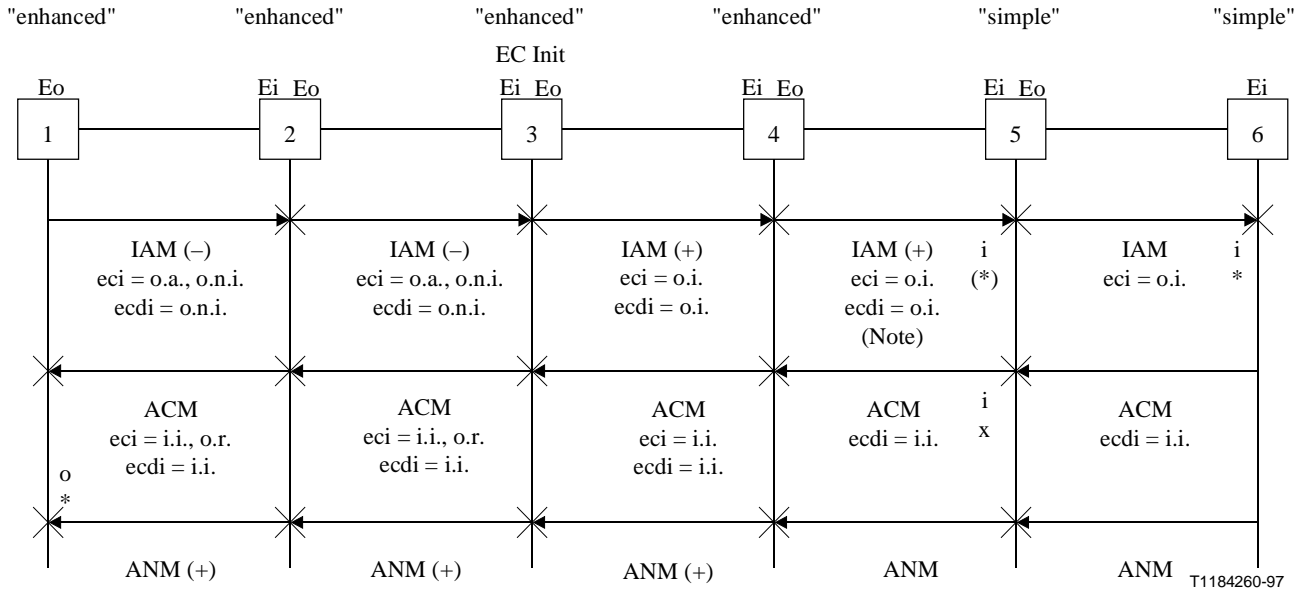
Figure C.4-2/Q.764

# Superseded by a more recent version

## C.5 Interworking with signalling systems in the succeeding network that do not support the enhanced echo control logic signalling procedures

### C.5.1 Interworking to the simple echo control signalling procedures

See Figure C.5-1.



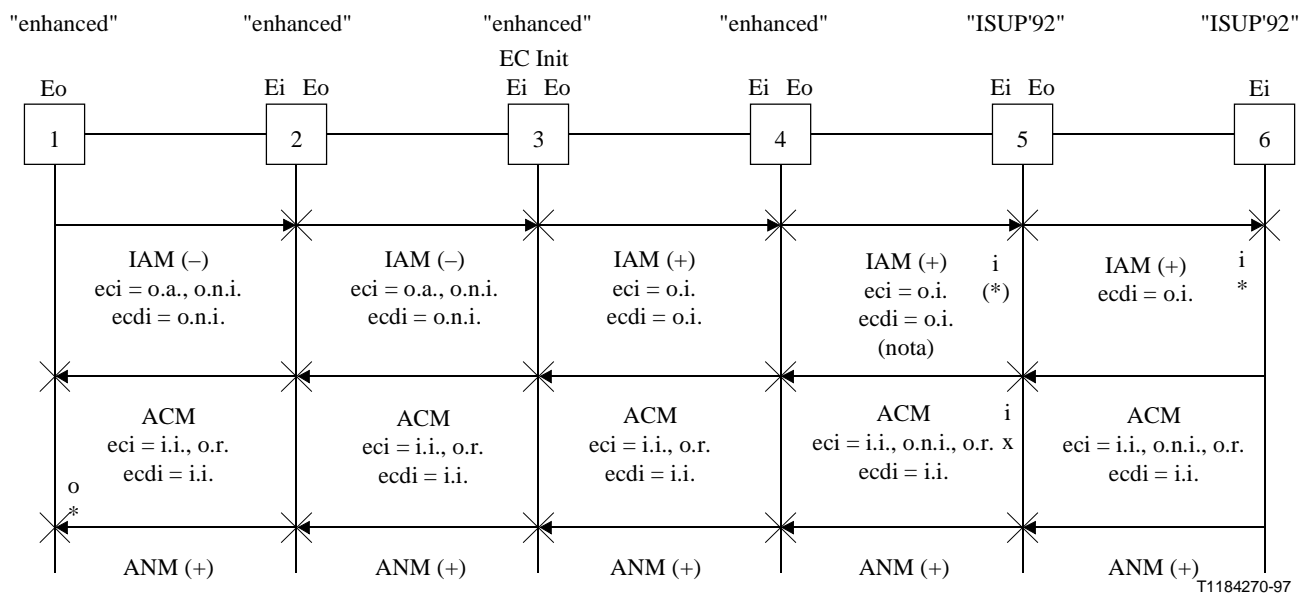
NOTE – The propagation delay counter and the Echo Control Information parameters are passed to the exchange with the simple echo control signalling procedures.

Figure C.5-1/Q.764

# Superseded by a more recent version

## C.5.2 Interworking to Q.764 (1992 version)

See Figure C.5-2.



NOTE – The Echo Control Information sent in the IAM from exchange 4 will be an expected parameter at exchange 5. For the purpose of this example, exchange 4 knows that the succeeding exchange has echo cancellers available and does not provide an IECD itself.

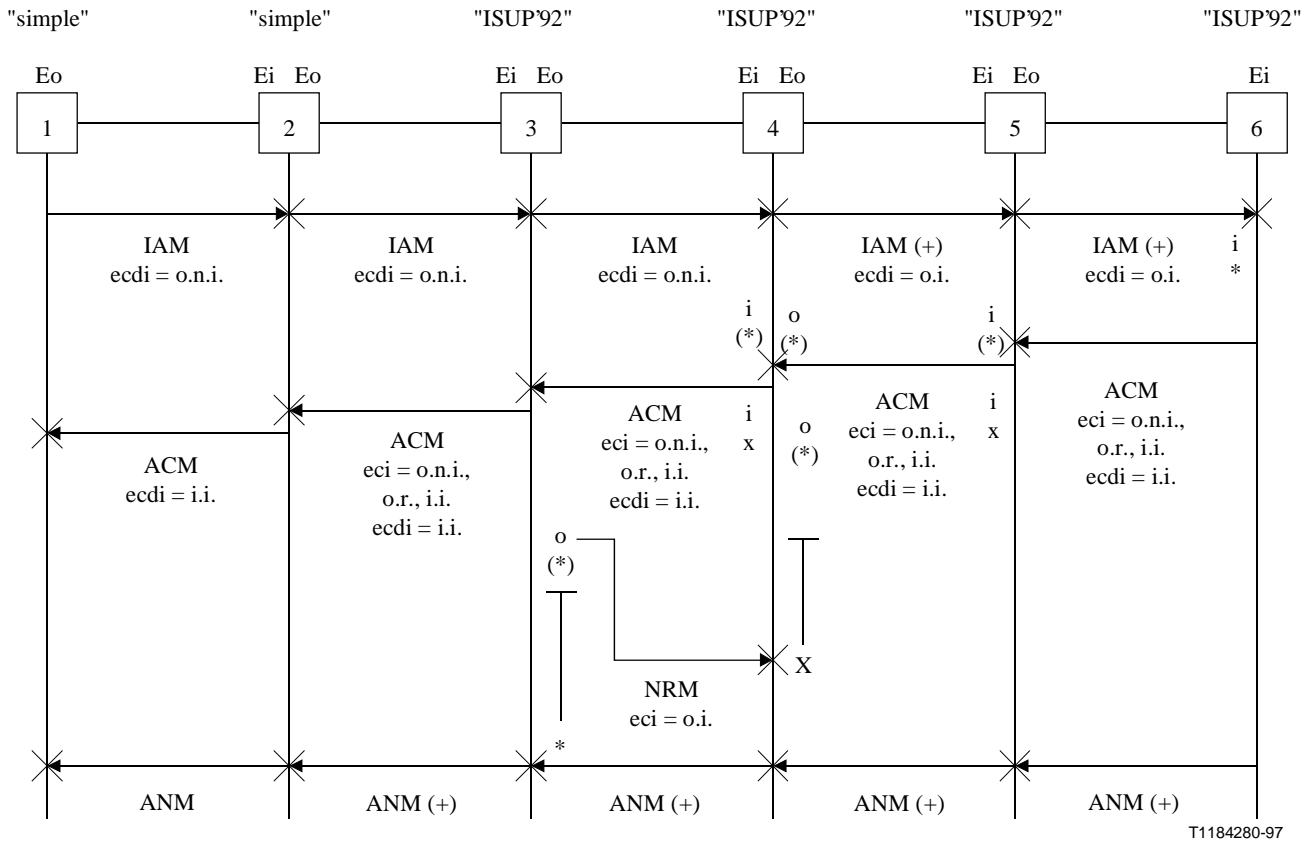
Figure C.5-2/Q.764

# Superseded by a more recent version

## C.6 Interworking between an exchange supporting the simple echo control signalling procedures and Q.764 (1992 version)

### C.6.1 Interworking from an exchange supporting the simple echo control signalling procedures to Q.764 (1992 version)

See Figure C.6-1.



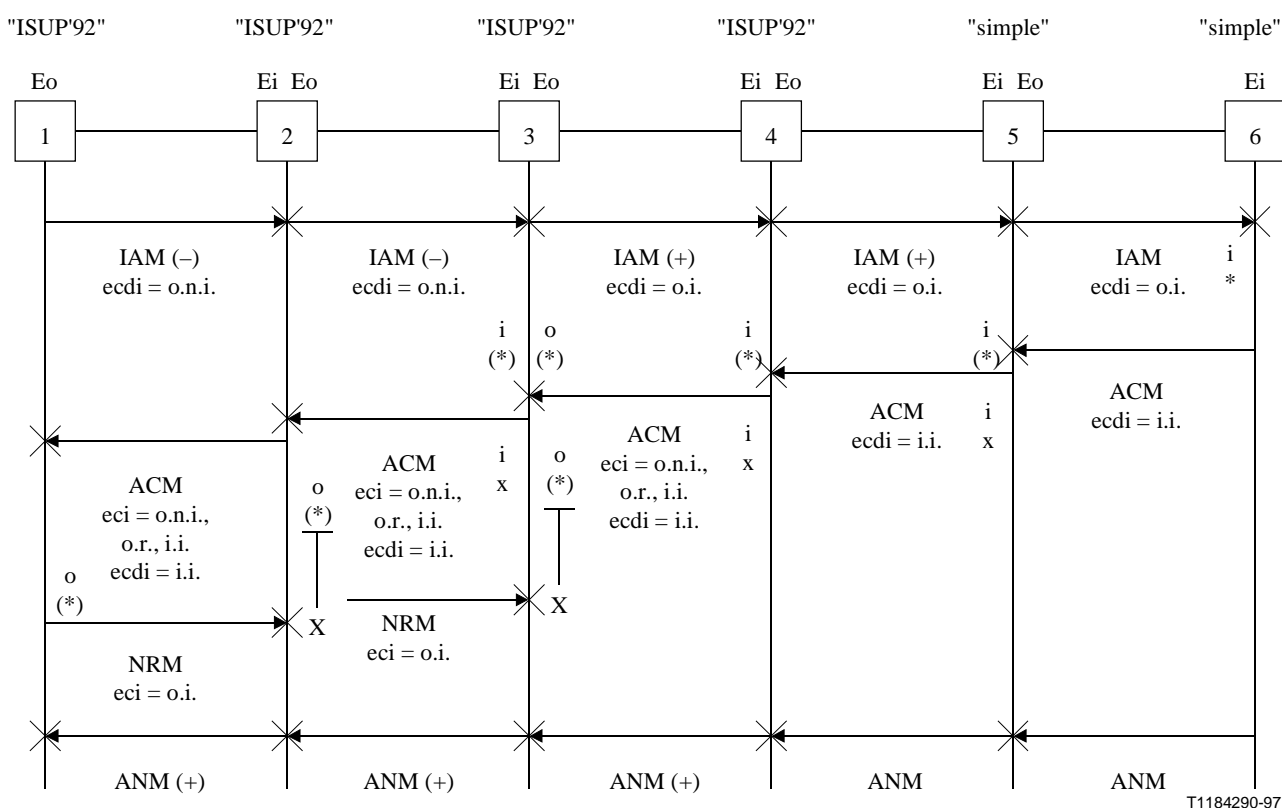
T1184280-97

Figure C.6-1/Q.764

# Superseded by a more recent version

## C.6.2 Interworking from an exchange using Q.764 (1992 version) to an exchange supporting the simple echo control signalling procedures

See Figure C.6-2.



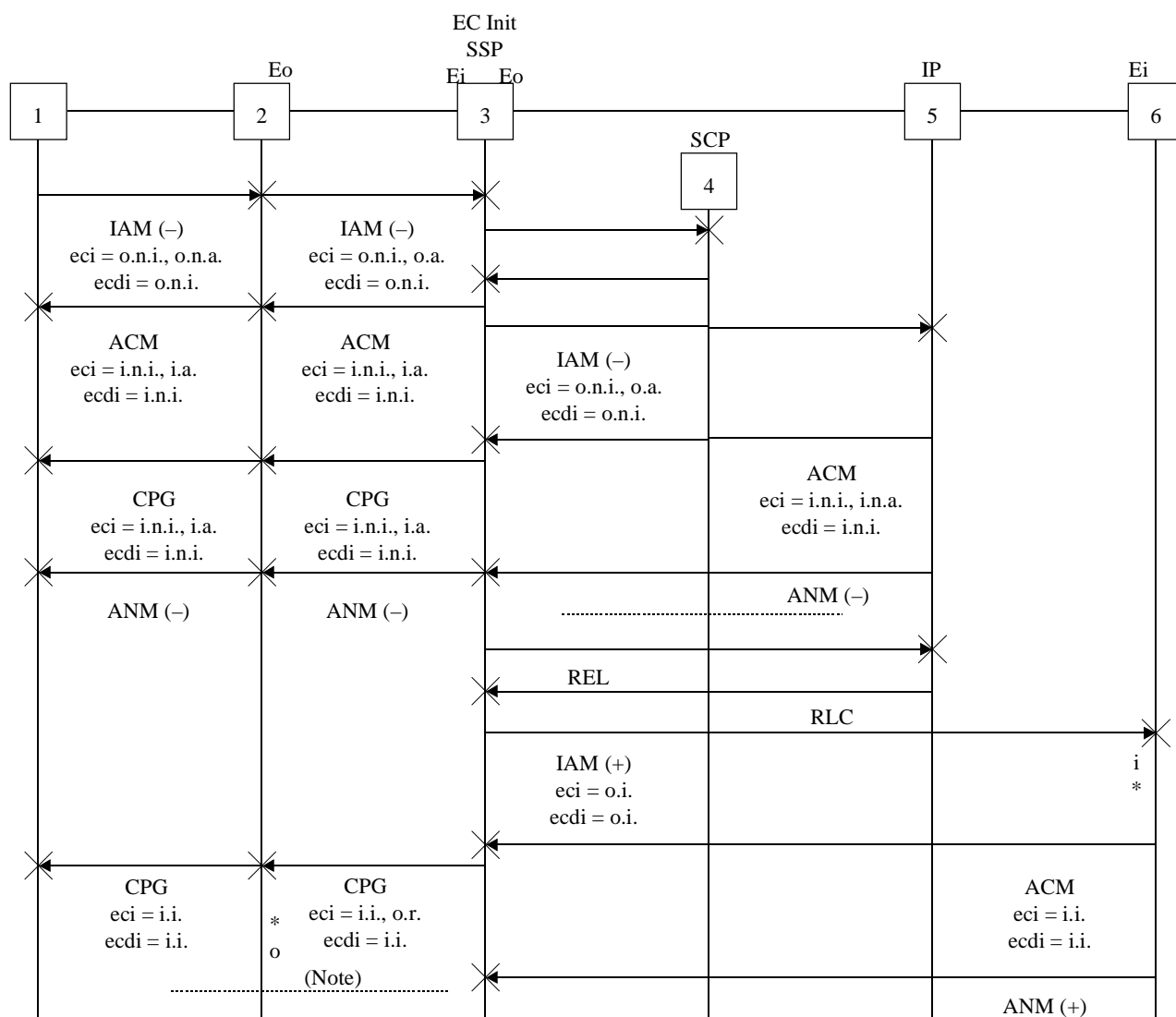
T1184290-97

Figure C.6-2/Q.764

# Superseded by a more recent version

## C.7 Exchanges supporting the enhanced echo control signalling procedures interacting with intelligent network entities

See Figure C.7.



T1184300-97

NOTE – Signalling procedures after this point are not relevant to this example.

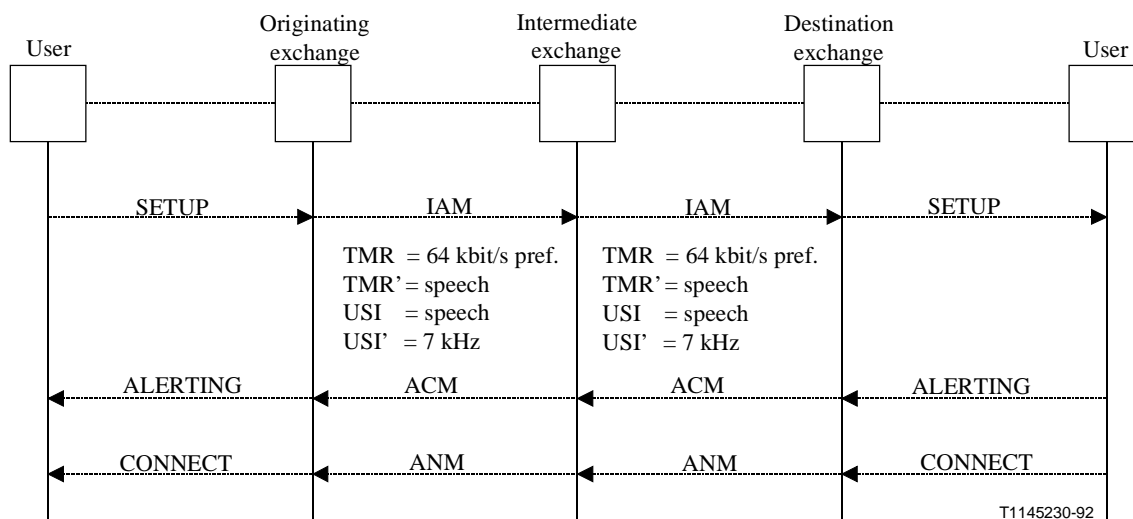
Figure C.7/Q.764

# Superseded by a more recent version

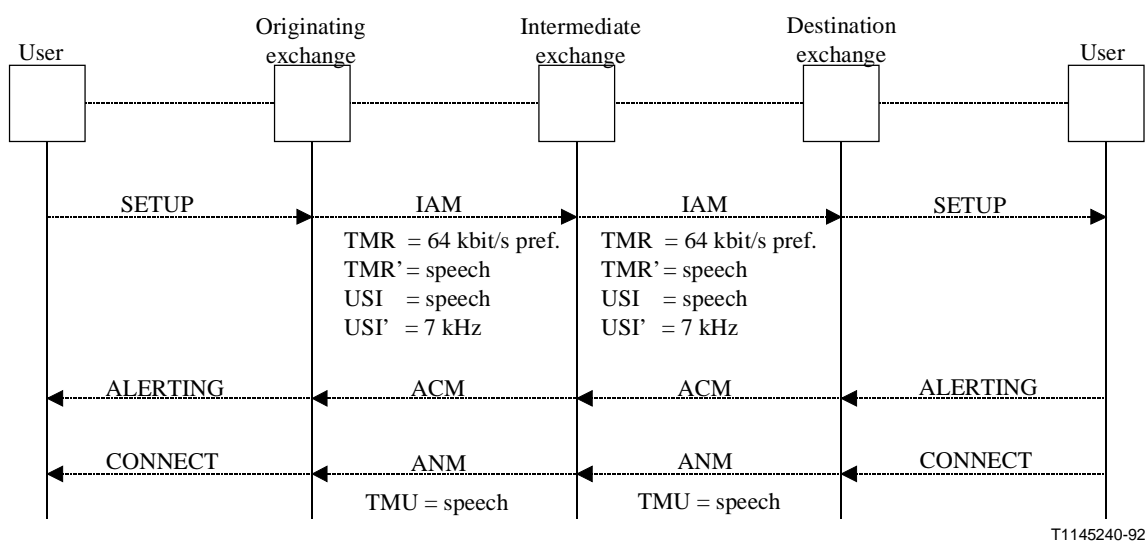
## ANNEX D

### Examples of signalling procedures for connection type allowing fallback

NOTE – Description of signalling in the DSS 1 in the diagrams of this Annex is illustrative only. DSS 1 protocols are defined in other Recommendations. See Figures D.1 to D.6.

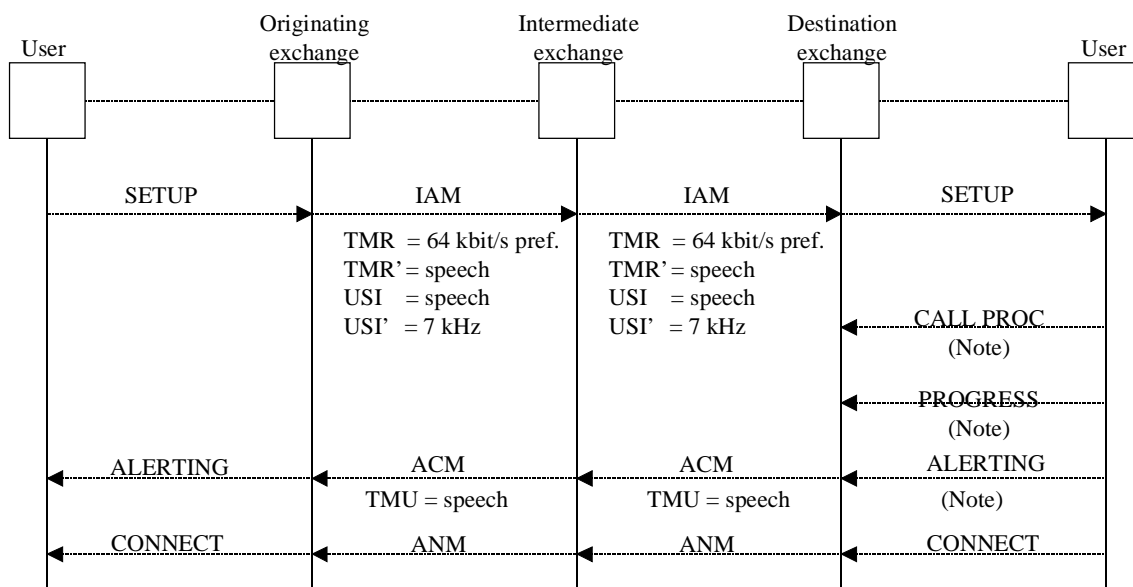


**Figure D.1/Q.764 – Fallback does not occur**



**Figure D.2/Q.764 – Fallback occurs to speech at the destination interface – Fallback indicated in connect**

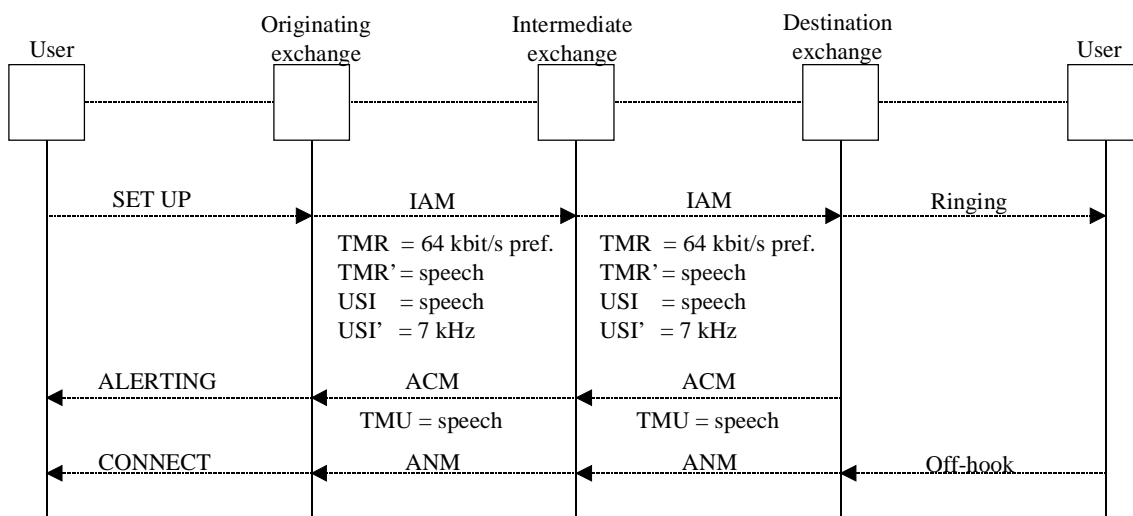
# Superseded by a more recent version



T1145250-92

NOTE – Fallback is indicated by access.

**Figure D.3/Q.764 – Fallback occurs to speech at the destination interface – Fallback indicated in alerting or any message before alerting**

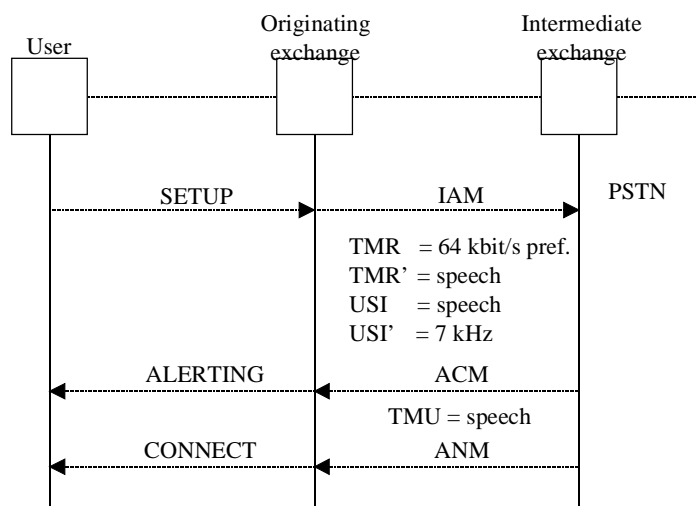


T1145260-92

**Figure D.4/Q.764 – Fallback when called user is non-ISDN**

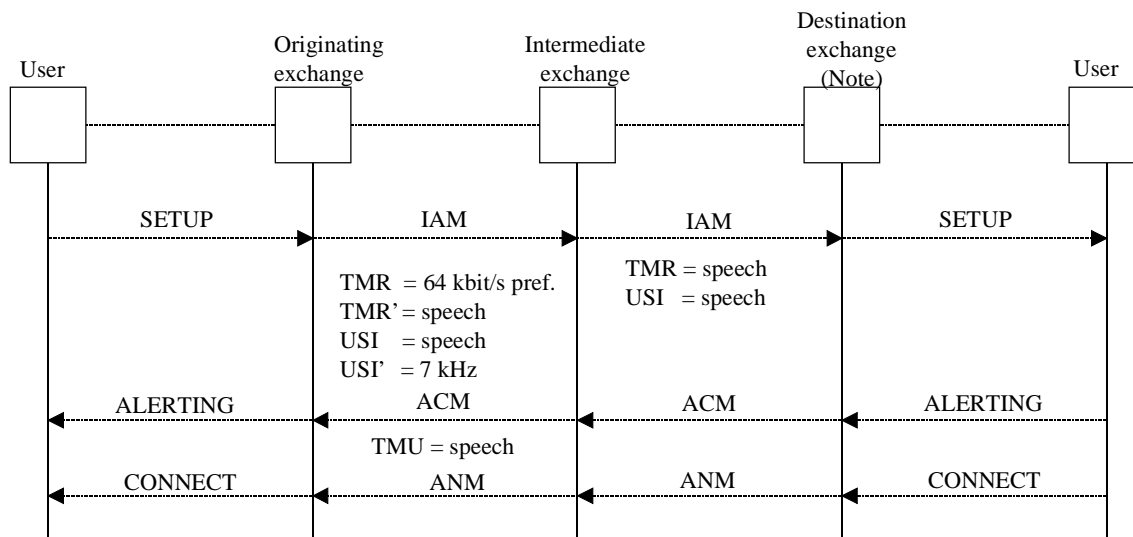


## Superseded by a more recent version



T1145270-92

**Figure D.5/Q.764 – Fallback when interworking with PSTN**



T1145280-92

NOTE – Q.767 [21] or Q.764 exchange not supporting the fallback procedure.

**Figure D.6/Q.764 – Fallback when interworking with version of ISDN User Part which does not support the fallback procedure**

# Superseded by a more recent version

## ANNEX E

### Test calls

#### E.1 Called number for test calls

This subclause only describes the sending sequence of forward address information in the case of test calls based on bilateral agreements.

- i) Called party number:
  - Nature of address indicator: "0000011" national significant number.
  - address:
    - access code N1...Nn based on bilateral agreements.
    - sending finished: ST.
- ii) Calling party's category:  
"00001101" test call.

#### E.2 Accounting of test calls

In international accounts, tests should be deducted according to Recommendation D.390 R [1].

## ANNEX F

### Cause values

This Annex contains clarification of the usage of cause values and the handling of location indicators on the international interface.

This information can be found in Recommendation Q.850 [22].

## ANNEX G

### Start up procedures

The start up procedure for ISDN User Part circuits is a manually controlled procedure. It is initiated by each exchange for its outgoing circuits. Bidirectional circuits are tested by both sides.

During the process of placing circuits into service, unacknowledged circuit supervision messages will most likely be reported to maintenance systems. In order to minimise this impact, it is recommended that coordination takes place between exchanges and established procedures for placing circuits into service be followed. Lack of coordination may result in inefficient use of exchange and maintenance resources.

Before the test itself, some exchanges, named exchanges of type A do not require anything before the test call, and only respond to received group reset (reset) messages with a group reset acknowledgement (release complete/blocking) message. Other exchanges, named exchanges of type B, do require a group reset/group reset acknowledgement (or reset/release complete) message cycle before the continuity check or the conversation test is performed.

The start up procedure necessary for exchanges of type B is intended both for unidirectional and bi-directional circuits in accordance with G.1 and G.2.

# Superseded by a more recent version

Possible relations are:

A ----> A

A ----> B

B ----> A

B ----> B

Abbreviations used in messages sequences:

ACM Address complete

ANM Answer

CCR Continuity Check Request

CGB Circuit Group Blocking

CGBA Circuit Group Blocking Acknowledgement

CGU Circuit Group Unblocking

CGUA Circuit Group Unblocking Acknowledgement

COT Continuity

GRA Group reset acknowledgement

GRS Group Reset

IAM Initial Address

RLC Release Complete

RSC Reset

## G.1 Initial procedure for putting the first group of circuits into service

a) exchange A ----> exchange A

No initial procedure required.

b) exchange A ----> exchange B

<---GRS-----

-----GRA---->

c) exchange B ----> exchange A

-----GRS---->

<---GRA-----

d) exchange B -----> exchange B

-----GRS----> <---GRS-----

<---GRA----- <---GRA----->

or

<---GRS----- <---GRS----->

-----GRA----> <---GRA-----

NOTE – It is also possible to have individual reset circuit messages. The diagrams do not intend to cover all possible exchange of messages (see 2.9.3).

## Superseded by a more recent version

### G.2 Initial procedure for putting additional circuits into service

- a) exchange A ----> exchange A  
No initial procedure required.
- b) exchange A ----> exchange B  
    <----RSC-----  
    -----RLC---->
- c) exchange B ----> exchange A  
    -----RSC---->  
    <----RLC-----
- d) exchange B ----> exchange B  
    -----RSC---->   <----RSC-----  
    <----RLC-----    -----RLC---->
- or
- <----RSC-----    -----RSC---->  
    -----RLC---->   <----RLC-----

### G.3 Test procedures

This subclause describes two different test procedures (named A and B) for the initial testing of circuits. As a minimum, it is required that an international exchange can actively perform one of these test procedures and respond to the other procedure.

Each exchange checks its own circuits. Bidirectional circuits are checked by both ends.

- a) Procedure using a conversation test  
    ----IAM (test)---->  
    <-----ACM-----  
    <-----ANM-----  
    Conversation test  
    -----REL----->  
    <-----RLC-----
- b) Procedure using the continuity check procedure  
    The continuity check procedure is used for the start up procedure, even if no continuity check is required during normal operation of the circuits.  
    exchange A or B ----- exchange A or B  
    test initiating exchange  
    -----CGB----->  
    <-----CGBA-----

## Superseded by a more recent version

1)

-----CCR----->

2)

```
tone           ----->-----
                |
evaluation     -----<-----   loop
```

3) if the test is OK

-----REL----->

<-----RLC-----

4) the circuit is in the idle state blocked

5) perform the CCR, REL, RLC sequence for all remaining trunks that are to be brought into service.

6)

-----CGU----->

<-----CGUA-----

7) the trunks are in service

8) if the test is not OK

9)

-----COT(fail)----->

10)

-----CCR----->

11)

```
tone           ----->-----
                |
evaluation     -----<-----   loop
```

12) if the test is OK, continue as 3)

13) if the test is not OK, report circuit identification code, do not unblock trunk for outgoing traffic and continue continuity check requests on the trunk then continue in 5).

NOTE – It is also possible to have individual blocking messages. The diagrams do not intend to cover all possible exchange of messages (see 2.9.2).



# Superseded by a more recent version

## ITU-T RECOMMENDATIONS SERIES

Series A	Organization of the work of the ITU-T
Series B	Means of expression: definitions, symbols, classification
Series C	General telecommunication statistics
Series D	General tariff principles
Series E	Overall network operation, telephone service, service operation and human factors
Series F	Non-telephone telecommunication services
Series G	Transmission systems and media, digital systems and networks
Series H	Audiovisual and multimedia systems
Series I	Integrated services digital network
Series J	Transmission of television, sound programme and other multimedia signals
Series K	Protection against interference
Series L	Construction, installation and protection of cables and other elements of outside plant
Series M	TMN and network maintenance: international transmission systems, telephone circuits, telegraphy, facsimile and leased circuits
Series N	Maintenance: international sound programme and television transmission circuits
Series O	Specifications of measuring equipment
Series P	Telephone transmission quality, telephone installations, local line networks
<b>Series Q</b>	<b>Switching and signalling</b>
Series R	Telegraph transmission
Series S	Telegraph services terminal equipment
Series T	Terminals for telematic services
Series U	Telegraph switching
Series V	Data communication over the telephone network
Series X	Data networks and open system communication
Series Z	Programming languages