



INTERNATIONAL TELECOMMUNICATION UNION

**ITU-T**

TELECOMMUNICATION  
STANDARDIZATION SECTOR  
OF ITU

**V.34**

(09/94)

**DATA COMMUNICATION OVER  
THE TELEPHONE NETWORK**

---

**A MODEM OPERATING AT DATA  
SIGNALLING RATES OF UP TO 28 800 bit/s  
FOR USE ON THE GENERAL SWITCHED  
TELEPHONE NETWORK AND ON  
LEASED POINT-TO-POINT 2-WIRE  
TELEPHONE-TYPE CIRCUITS**

**ITU-T Recommendation V.34**

(Previously "CCITT Recommendation")

---

## FOREWORD

The ITU-T (Telecommunication Standardization Sector) is a permanent organ of the International Telecommunication Union (ITU). The ITU-T is responsible for studying technical, operating and tariff questions and issuing Recommendations on them with a view to standardizing telecommunications on a worldwide basis.

The World Telecommunication Standardization Conference (WTSC), which meets every four years, establishes the topics for study by the ITU-T Study Groups which, in their turn, produce Recommendations on these topics.

The approval of Recommendations by the Members of the ITU-T is covered by the procedure laid down in WTSC Resolution No. 1 (Helsinki, March 1-12, 1993).

ITU-T Recommendation V.34 was prepared by ITU-T Study Group 14 (1993-1996) and was approved under the WTSC Resolution No. 1 procedure on the 20th of September 1994.

---

## NOTE

In this Recommendation, the expression "Administration" is used for conciseness to indicate both a telecommunication administration and a recognized operating agency.

© ITU 1994

All rights reserved. No part of this publication may be reproduced or utilized in any form or by any means, electronic or mechanical, including photocopying and microfilm, without permission in writing from the ITU.

# CONTENTS

	<i>Page</i>	
1	Scope.....	1
2	References.....	1
3	Definitions.....	2
4	Abbreviations.....	3
5	Line Signals.....	4
5.1	Data Signalling Rates.....	4
5.2	Symbol Rates.....	4
5.3	Carrier Frequencies.....	4
5.4	Pre-emphasis.....	5
5.4.1	Transmit Spectrum Specifications.....	5
5.4.2	Selection Method.....	6
6	DTE Interfaces.....	6
6.1	Synchronous Interfacing (Primary Channel Only).....	7
6.2	Asynchronous Character-mode Interfacing.....	8
6.2.1	Primary Channel.....	8
6.2.2	Secondary Channel.....	8
6.3	Half-duplex Mode Interfacing.....	9
6.4	Electrical Characteristics of Interchange Circuits.....	9
6.4.1	Primary Channel.....	9
6.4.2	Secondary Channel.....	9
6.5	Fault Condition on Interchange Circuits.....	9
6.6	Thresholds and Response Times of Circuit 109.....	9
6.6.1	Duplex Mode.....	9
6.6.2	Half-Duplex Mode.....	9
7	Scrambler.....	10
8	Framing.....	10
8.1	Overview.....	10
8.2	Mapping Frame Switching.....	11
8.3	Multiplexing of Primary and Auxiliary Channel Bits.....	11
9	Encoder.....	13
9.1	Signal Constellations.....	13
9.2	Mapping Parameters.....	14
9.3	Parser.....	18
9.3.1	Procedure for $b > 12$ .....	18
9.3.2	Procedure for $b \leq 12$ .....	18
9.4	Shell Mapper.....	18
9.5	Differential Encoder.....	20
9.6	Mapper, Precoder and Trellis Encoder.....	20
9.6.1	Mapper.....	21
9.6.2	Precoder.....	21
9.6.3	Trellis Encoder.....	22
9.7	Non-linear Encoder.....	25
10	Start-up Signals and Sequences.....	25
10.1	Signals and Sequences Used in Duplex Operation.....	25
10.1.1	Phase 1.....	25
10.1.2	Phase 2.....	26
10.1.3	Phases 3 and 4.....	31
10.2	Signals and Sequences Used in Half-duplex Operation.....	36
10.2.1	Phase 1.....	36
10.2.2	Phase 2.....	36
10.2.3	Phase 3.....	36
10.2.4	Control channel modulation.....	37

	<i>Page</i>
11 Duplex Operating Procedures .....	40
11.1 Phase 1 – Network Interaction .....	40
11.1.1 Call Modem .....	40
11.1.2 Answer Modem .....	41
11.2 Phase 2 – Probing/Ranging .....	41
11.2.1 Error Free Procedures .....	42
11.2.2 Recovery Mechanisms .....	43
11.3 Phase 3 – Equalizer and Echo Canceller Training .....	44
11.3.1 Error Free Procedure .....	45
11.3.2 Recovery Mechanisms .....	46
11.4 Phase 4 – Final Training .....	46
11.4.1 Error Free Procedure .....	46
11.4.2 Recovery Mechanism .....	48
11.5 Retrains .....	49
11.5.1 Call Modem .....	49
11.5.2 Answer Modem .....	49
11.6 Rate Renegotiation .....	50
11.6.1 Error Free Procedure .....	50
11.6.2 Recovery Mechanism .....	51
11.7 Cleardown .....	52
11.7.1 Initiating Modem .....	52
11.7.2 Responding Modem .....	52
11.8 Two-wire Leased Line Operation .....	52
11.8.1 Call Modem .....	52
11.8.2 Answer Modem .....	52
12 Half-duplex Operating Procedures .....	52
12.1 Phase 1 – Network Interaction .....	53
12.2 Phase 2 – Probing .....	53
12.2.1 Call Modem as Source Modem .....	53
12.2.2 Answer Modem as Source Modem .....	55
12.3 Phase 3 – Primary Channel Equalizer Training .....	56
12.3.1 Source Modem .....	56
12.3.2 Recipient Modem .....	57
12.3.3 Recipient Modem Error Recovery Procedures .....	57
12.4 Control Channel Start-up .....	57
12.4.1 Source Modem .....	57
12.4.2 Recipient Modem .....	58
12.5 Primary Channel Resynchronization Procedure .....	59
12.5.1 Source Modem .....	59
12.5.2 Recipient Modem .....	59
12.5.3 Primary Channel Turn-off .....	59
12.6 Control Channel Resynchronization Procedure .....	59
12.6.1 Source Modem .....	59
12.6.2 Recipient Modem .....	60
12.6.3 Control Channel Turn-off .....	60
12.7 Primary Channel Retrains .....	61
12.7.1 Call Modem – Source or Recipient .....	61
12.7.2 Answer Modem – Source or Recipient .....	61
12.8 Control Channel Retrains .....	62
12.8.1 Initiating Retrain .....	62
12.8.2 Responding to Retrain .....	62
13 Testing Facilities .....	62
14 Glossary .....	62
14.1 Variables and Parameters used in Data mode (clauses 5 to 9) .....	62

**A MODEM OPERATING AT DATA SIGNALLING RATES OF UP  
TO 28800 bit/s FOR USE ON THE GENERAL SWITCHED TELEPHONE  
NETWORK AND ON LEASED POINT-TO-POINT 2-WIRE  
TELEPHONE-TYPE CIRCUITS**

*(Geneva, 1994)*

## **1 Scope**

This modem is intended for use on connections on general switched telephone networks (GSTNs) and on point-to-point 2-wire leased telephone-type circuits. The principal characteristics of the modem are as follows:

- a) duplex and half-duplex modes of operation on GSTN and point-to-point 2-wire leased circuits;
- b) channel separation by echo cancellation techniques;
- c) quadrature amplitude modulation (QAM) for each channel with synchronous line transmission at selectable symbol rates including the mandatory rates of 2400, 3000, and 3200 symbols/s and the optional rates of 2743, 2800, and 3429 symbols/s;
- d) synchronous primary channel data signalling rates of:
  - 28 800 bit/s;
  - 26 400 bit/s;
  - 24 000 bit/s;
  - 21 600 bit/s;
  - 19 200 bit/s;
  - 16 800 bit/s;
  - 14 400 bit/s;
  - 12 000 bit/s;
  - 9600 bit/s;
  - 7200 bit/s;
  - 4800 bit/s;
  - 2400 bit/s;
- e) trellis coding for all data signalling rates;
- f) an optional auxiliary channel with a synchronous data signalling rate of 200 bit/s, a portion of which may be provided to the user as an asynchronous secondary channel;
- g) adaptive techniques that enable the modem to achieve close to the maximum data signalling rate the channel can support on each connection;
- h) exchange of rate sequences during start-up to establish the data signalling rate;
- i) automodems to V-Series modems supported by V.32 *bis* Automode procedures and Group 3 facsimile machines.

## **2 References**

The following ITU-T Recommendations and other references contain provisions which, through reference in this text, constitute provisions of this Recommendation. At the time of publication, the editions indicated were valid. All Recommendations and other referenced Standards are subject to revision; all users of this Recommendation are therefore

encouraged to investigate the possibility of applying the most recent editions of the Recommendations and other references listed below. A list of currently valid ITU-T Recommendations is regularly published.

- ISO 2110:1989, *Information technology – Data communications – 25-pole DTE/DCE interface connector and contact number assignments.*
- ISO/IEC 11569:1993, *Information technology – Telecommunications and information exchange between systems – 26-pole interface connector mateability and contact number assignments.*
- ITU-T (CCITT) Recommendation T.30 (1988) (Amended, March 1991), *Procedures for document facsimile transmission in the general switched telephone network.*
- ITU-T Recommendation V.8 (1994), *Procedures for starting and ending sessions of data transmission over the general switched telephone network.*
- ITU-T (CCITT) Recommendation V.10 (1993), *Electrical characteristics for unbalanced double-current interchange circuits operating at data signalling rates nominally up to 100 kbit/s.*
- ITU-T (CCITT) Recommendation V.11 (1993), *Electrical characteristics for balanced double-current interchange circuits operating at data signalling rates up to 100 kbit/s.*
- ITU-T (CCITT) Recommendation V.14 (1988), *Transmission of start-stop characters over synchronous bearer channels.*
- ITU-T (CCITT) Recommendation V.21 (1988), *300 bit per second duplex modem standardized for use in the general switched telephone network.*
- ITU-T (CCITT) Recommendation V.24 (1988), *List of definitions for interchange circuits between data terminal equipment (DTE) and data circuit-terminating equipment (DCE).*
- ITU-T (CCITT) Recommendation V.25 (1984), *Automatic answering equipment and/or parallel automatic calling equipment on the general switched telephone network including procedures for disabling of echo control devices for both manually and automatically established calls.*
- ITU-T (CCITT) Recommendation V.28 (1993), *Electrical characteristics for unbalanced double-current interchange circuits.*
- ITU-T (CCITT) Recommendation V.32 (1988), *A family of 2-wire, duplex modems operating at data signalling rates of up to 9600 bit/s for use on the general switched telephone network and on leased telephone-type circuits.*
- ITU-T (CCITT) Recommendation V.32 bis (1991), *A duplex modem operating at data signalling rates of up to 14 400 bit/s for use on the general switched telephone network and on leased point-to-point 2-wire telephone-type circuits.*
- ITU-T (CCITT) Recommendation V.42 (1993), *Error-correcting procedures for DCEs using asynchronous-to-synchronous conversion.*
- ITU-T (CCITT) Recommendation V.54 (1988), *Loop test devices for modems.*

### 3 Definitions

For the purposes of this Recommendation, the following definitions apply:

**auxiliary channel:** A 200 bit/s data channel which, along with the primary channel, is multiplexed into the bit stream transmitted by the modem. Data conveyed in the auxiliary channel is independent from the primary channel and may consist of secondary channel data and modem control data.

**constellation shaping:** A method for improving noise immunity by introducing a non-uniform two-dimensional probability distribution for transmitted signal points. The degree of constellation shaping is a function of the amount of constellation expansion.

**data mode modulation parameters:** Parameters determined during start-up and used during data mode transmission.

**frame switching:** A method for sending a fractional number of bits per mapping frame, on average, by alternating between sending an integer  $b - 1$  bits per mapping frame and  $b$  bits per mapping frame according to a periodic switching pattern.

**line probing:** A method for determining channel characteristics by sending periodic signals, which are analysed by the modem and used to determine data mode modulation parameters.

**nominal transmit power:** Reference transmit power that is configured by the user. A modem that has negotiated a transmit power reduction in Phase 2 of the start-up procedures is said to be transmitting below the Nominal Transmit Power.

**non-linear encoding:** A method for improving distortion immunity near the perimeter of a signal constellation by introducing a non-uniform two-dimensional (2D) signal point spacing.

**precoding:** A non-linear equalization method for reducing equalizer noise enhancement caused by amplitude distortion. Equalization is performed at the transmitter using precoding coefficients provided by the remote modem.

**pre-emphasis:** A linear equalization method where the transmit signal spectrum is shaped to compensate for amplitude distortion. The pre-emphasis filter is selected using a filter index provided by the remote modem.

**primary channel:** The main data channel which, together with auxiliary channel data, constitutes the bit stream transmitted by the modem.

**recipient modem:** The modem which receives primary channel data in half-duplex mode.

**secondary channel:** A portion of the auxiliary channel that is made available to the user.

**shell mapping:** A method for mapping data bits to signal points in a multi-dimensional signal constellation, which involves partitioning a two-dimensional signal constellation into rings containing an equal number of points.

**source modem:** The modem which transmits primary channel data in half-duplex mode.

**trellis encoding:** A method for improving noise immunity using a convolutional coder to select a sequence of subsets in a partitioned signal constellation. The trellis encoders used in this Recommendation are all four-dimensional (4D) and they are used in a feedback structure where the inputs to the trellis encoder are derived from the signal points.

## 4 Abbreviations

For the purposes of this Recommendation, the following abbreviations are used:

abs[ ]	Absolute value
AMP	Auxiliary Channel Multiplexing Pattern
CCITT	International Telephone and Telegraph Consultative Committee
CME	Circuit Multiplication Equipment
CRC	Cyclic Redundancy Check
DCE	Data Circuit Terminating Equipment
DPSK	Differential Phase Shift Keying
DTE	Data Terminal Equipment
GPA	Generating Polynomial – Answer modem
GPC	Generating Polynomial – Call modem
GSTN	General Switched Telephone Network
IEC	International Electrotechnical Commission
ISO	International Organization for Standardization
ITU-T	International Telecommunications Union – Telecommunications Standardization Sector
LSB	Least Significant Bit
MSB	Most Significant Bit
QAM	Quadrature Amplitude Modulation
QPSK	Quadrature Phase Shift Keying
RTDEa	Round-Trip Delay Estimate – Answer modem
RTDEc	Round-Trip Delay Estimate – Call modem
SWP	Switching Pattern

## 5 Line Signals

### 5.1 Data Signalling Rates

The primary channel shall support synchronous data signalling rates of 2400 bit/s to 28 800 bit/s in multiples of 2400 bit/s. An auxiliary channel with a synchronous data signalling rate of 200 bit/s may also be optionally supported. The primary and auxiliary data signalling rates shall be determined during Phase 4 of modem start-up according to the procedures described in 11.4. or 12.4. The auxiliary channel shall be used only when the call and answer modems have both declared this capability. The primary channel data signalling rates can be asymmetric.

### 5.2 Symbol Rates

The symbol rate shall be  $S = (a/c) \cdot 2400 \pm 0.01\%$  two-dimensional (2D) symbols per second, where a and c are integers from the set specified in Table 1 (in which symbol rates are shown rounded to the nearest integer). The symbol rates 2400, 3000, and 3200 are mandatory; 2743, 2800, and 3429 are optional. The symbol rate shall be selected during Phase 2 of modem start-up according to the procedures described in 11.2 or 12.2. Asymmetric symbol rates are optionally supported and shall be used only when the call and answer modems have both declared this capability.

TABLE 1/V.34

Symbol rates

Symbol Rate, S	a	c
2400	1	1
2743	8	7
2800	7	6
3000	5	4
3200	4	3
3429	10	7

### 5.3 Carrier Frequencies

The carrier frequency shall be  $(d/e) \cdot S$  Hz, where d and e are integers. One of two carrier frequencies can be selected at each symbol rate, as specified in Table 2, which gives the values of d and e and the corresponding frequencies rounded to the nearest integer. The carrier frequency shall be determined during Phase 2 of modem start-up according to the procedures specified in 11.2 or 12.2. Asymmetric carrier frequencies shall be supported.

TABLE 2/V.34

Carrier frequencies versus symbol rate

Symbol Rate, S	Low Carrier			High Carrier		
	Frequency	d	e	Frequency	d	e
2400	1600	2	3	1800	3	4
2743	1646	3	5	1829	2	3
2800	1680	3	5	1867	2	3
3000	1800	3	5	2000	2	3
3200	1829	4	7	1920	3	5
3429	1959	4	7	1959	4	7

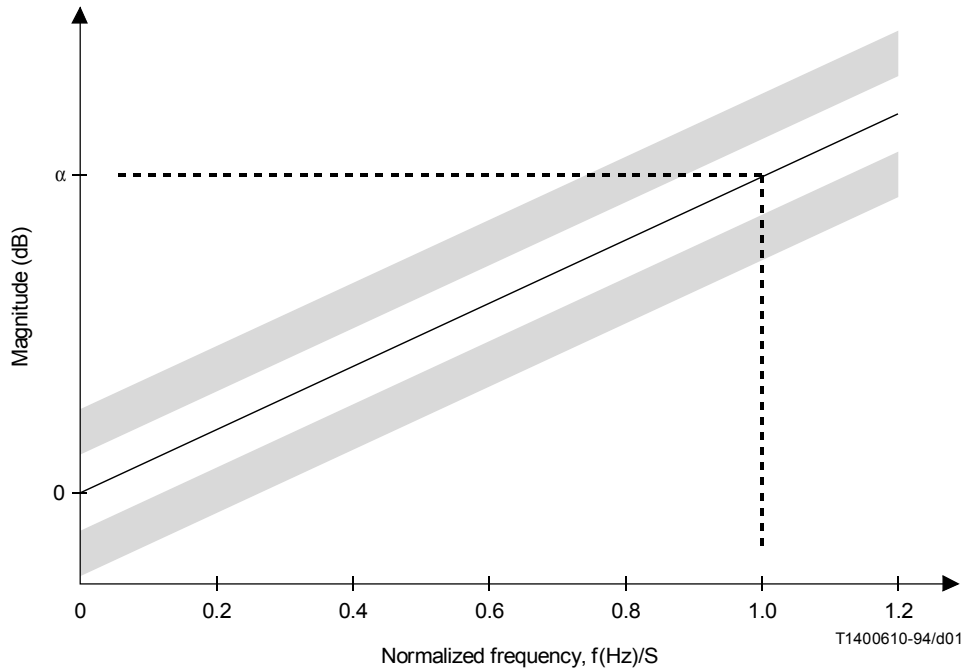


## 5.4 Pre-emphasis

### 5.4.1 Transmit Spectrum Specifications

The transmit spectrum specifications use a normalized frequency, which is defined as the ratio  $f/S$ , where  $f$  is the frequency in Hz and  $S$  is the symbol rate.

The magnitude of the transmitted spectrum shall conform to the templates shown in Figures 1 and 2 for normalized frequencies in the range from  $(d/e - 0.45)$  to  $(d/e + 0.45)$ . The transmitted spectrum shall be measured using a  $600 \Omega$  pure resistive load.

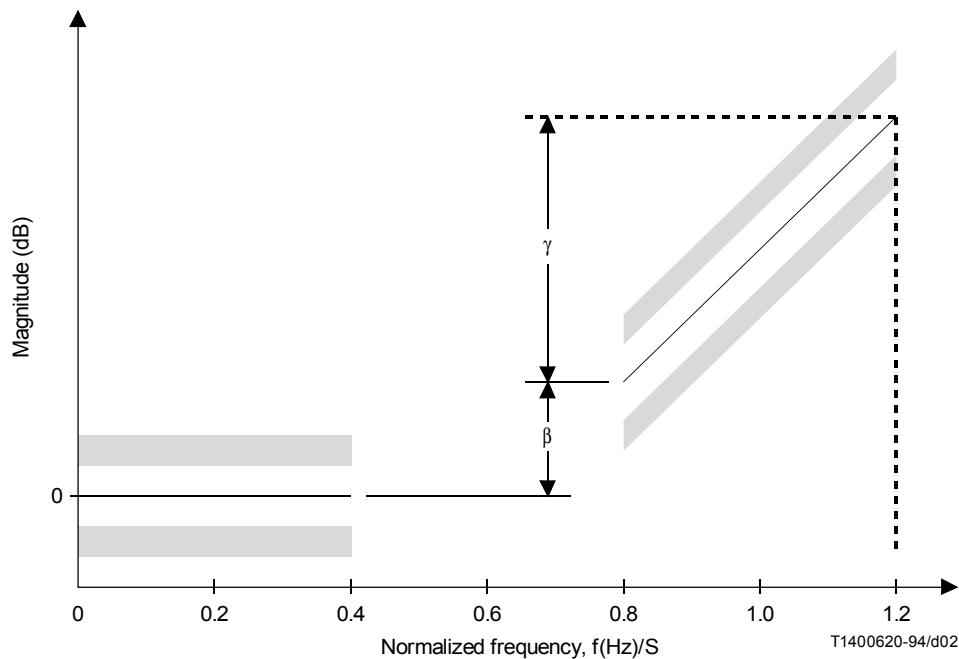


NOTE – Tolerance for transmit spectrum is  $\pm 1$  dB.

FIGURE 1/V.34  
Transmit spectra templates for indices 0 to 5

TABLE 3/V.34  
Parameter  $\alpha$  for indices 0 to 5

Index	$\alpha$
0	0 dB
1	2 dB
2	4 dB
3	6 dB
4	8 dB
5	10 dB



NOTE – Over the range specified, the tolerance for the transmit spectrum magnitude is  $\pm 1$  dB.

FIGURE 2/V.34  
**Transmit spectra templates for indices 6 to 10**

TABLE 4/V.34  
**Parameters  $\beta$  and  $\gamma$  for indices 6 to 10**

Index	$\beta$	$\gamma$
6	0.5 dB	1.0 dB
7	1.0 dB	2.0 dB
8	1.5 dB	3.0 dB
9	2.0 dB	4.0 dB
10	2.5 dB	5.0 dB

#### 5.4.2 Selection Method

The transmitted spectrum shall be specified by a numerical index. The index shall be provided by the remote modem during Phase 2 of start-up by the procedures defined in 11.2. or 12.2.

## 6 DTE Interfaces

Where external physical interfaces for the interchange circuits are not present, the equivalent functionality of the circuits must still be provided (see Table 5).

TABLE 5/V.34

**Interchange circuits for combined primary and secondary channel interfaces**

Interchange Circuit		NOTES
No.	Description	
102 103 104 105 106	Signal ground or common return Transmitted data Received data Request to send Ready for sending	
107 108/1 or 108/2 109	Data set ready Connect data set to line Data terminal ready Data channel received line signal detector	
113 114 115 125 133 140 141 142	Transmitter signal element timing (DTE source) Transmitter signal element timing (DCE source) Receiver signal element timing (DCE source) Calling indicator Ready for receiving Loopback/maintenance Local loopback Test indicator	1 2 2  3   
118 119 120 121 122	Transmitted secondary channel data Received secondary channel data Transmit secondary channel line signal Secondary channel ready Secondary channel received line signal detector	4 4 4, 5 4, 5 4, 5, 6
<p>NOTES</p> <p>1 When the modem is not operating in a synchronous mode at the interface, any signals on this circuit shall be disregarded. Many DTEs operating in an asynchronous mode do not have a generator connected to this circuit.</p> <p>2 When the modem is not operating in a synchronous mode at the interface, this circuit shall be clamped to the OFF condition. Many DTEs operating in an asynchronous mode do not terminate this circuit.</p> <p>3 Operation of circuit 133 shall be in accordance with 7.3.1/V.42.</p> <p>4 This circuit is provided where the optional secondary channel is implemented without a separate interface.</p> <p>5 This circuit need only be provided where required by the application.</p> <p>6 This circuit is in the ON condition if circuit 109 is in the ON condition <i>and</i> the optional secondary channel is enabled.</p>		

Where a separate interface is provided for the optional secondary channel, interchange circuits as specified in Table 6 shall be provided.

### 6.1 Synchronous Interfacing (Primary Channel Only)

The modems shall accept synchronous data from the DTE on circuit 103 (see Recommendation V.24) under control of circuit 113 or 114. The modem shall pass synchronous data to the DTE on circuit 104 under control of circuit 115. The modem shall provide to the DTE a clock on circuit 114 for transmit-data timing, and a clock on circuit 115 for receive-data timing. The transmit-data timing may, however, originate in the DTE and be transferred to the modem via circuit 113. In some applications, it may be necessary to synchronize the transmitter timing to the receiver timing inside the modem.

After the start-up and retrain sequences, circuit 106 must follow the state of circuit 105 within 2 ms.

OFF to ON and ON to OFF transitions of circuit 109 shall occur solely in accordance with the operating sequences defined in clauses 11 and 12.

TABLE 6/V.34

**Interchange circuits for a separate secondary channel interface**

Interchange Circuit		NOTES
No.	Description	
102 103 104 105 106	Signal ground or common return Transmitted data Received data Request to send Ready for sending	1
107 108/2 109	Data set ready Data terminal ready Data channel received line signal detector	1, 2 1 1, 2
NOTES 1 This circuit need only be provided where required by the application. 2 This circuit is in the ON condition if the corresponding interchange circuit of the primary channel is in the ON condition <i>and</i> the optional secondary channel is enabled.		

**6.2 Asynchronous Character-mode Interfacing****6.2.1 Primary Channel**

The modem may include an asynchronous-to-synchronous converter interfacing to the DTE in an asynchronous (or start-stop character) mode. The protocol for the conversion shall be in accordance with Recommendation V.14 or V.42. Data compression may also be employed.

**6.2.2 Secondary Channel**

The secondary channel is for asynchronous mode only. However, since the modulation process operates synchronously, an asynchronous-to-synchronous conversion combined with a data flow control shall be provided, as specified in 6.2.2.1.

**6.2.2.1 DTE-to-DCE Flow Control on the Secondary Channel Interface**

The modem shall indicate to the secondary channel DTE a temporary inability to accept data on either circuit 103 or 118 (DCE-not-ready condition). Upon receiving such an indication, the DTE should complete transmission of any partially transmitted character and then cease transmitting data on circuit 103 (118) and clamp circuit 103 (118) to binary 1. When the DCE-not-ready condition is cleared, the DTE may resume the transmission of data on circuit 103 (118). The flow control indication may be performed in one of two ways:

- a) *Using circuit 106 (121)* – A DCE-not-ready condition may be indicated by turning circuit 106 (121) OFF and cleared by turning circuit 106 (121) ON.
- b) *Using DC1/DC3 characters (XON/XOFF functions)* – A DCE-not-ready condition may be indicated by transmitting a DC3 character and cleared by transmitting a DC1 character on circuit 104 (119).

Both techniques a) and b) shall be provided. The choice of technique is a user-configurable option.

The response time of the DTE to an indication of a DCE-not-ready condition is for further study. This time should be kept as short as possible. DCEs shall accommodate latency in the DTE recognition of the DCE-not-ready indication by accepting additional characters on circuit 103 (118) after the indication is given.

If a break signal is the next item to be delivered across the DTE/DCE interface, it shall be delivered regardless of the flow control state. In the case of a non-expedited/non-destructive break, data to be delivered prior to the break remains subject to flow control.

#### NOTES

- 1 No DCE-to-DTE flow control is provided on the secondary channel.
- 2 The alternative use of the asynchronous-to-synchronous conversion in accordance with Recommendation V.14 is still under consideration; in this case, DTE-to-DCE flow control may be optional.

### **6.3 Half-duplex Mode Interfacing**

Where the modem is operating in the half-duplex mode, the primary channel and control channel share the primary channel interchange circuits given in Table 5. The mechanism for allocation of data to the primary or control channel is beyond the scope of this Recommendation.

### **6.4 Electrical Characteristics of Interchange Circuits**

#### **6.4.1 Primary Channel**

Where an external physical interface is provided, electrical characteristics conforming to Recommendations V.10 and V.11 shall be used. The connector and pole assignments specified by ISO 2110 Amd. 1.0 or ISO/IEC 11569, column "V-Series > 20 000 bit/s", shall be used. Alternatively, when the DTE-DCE interface speed is not designed to exceed 116 kbit/s, these same connectors may be used with characteristics conforming to Recommendation V.10 only (see Note).

NOTE – In this case ISO is presently considering assigning the same pole assignments in ISO 2110 and ISO/IEC 11569 as those presently assigned for interfaces using Recommendation V.28 electrical characteristics under the heading "V-Series < 20 000 bit/s".

#### **6.4.2 Secondary Channel**

Where an external physical interface is provided for the secondary channel, electrical characteristics in accordance with Recommendation V.10 shall be used (see Note under 6.4.1).

### **6.5 Fault Condition on Interchange Circuits**

The DCE shall interpret a fault condition on circuits 105, 108 and 120 (where provided) as an OFF condition using failure detection type 1.

All other circuits not referred to may use failure detection type 0 or 1.

#### NOTES

- 1 The DTE interprets a fault condition on circuit 107 as an OFF condition using failure detection type 1.
- 2 See clause 10/V.10 for the definition of failure detection types.

### **6.6 Thresholds and Response Times of Circuit 109**

#### **6.6.1 Duplex Mode**

Thresholds and response times are not applicable in duplex mode because a line signal detector cannot be expected to distinguish wanted received signals from unwanted talker echoes.

#### **6.6.2 Half-Duplex Mode**

Circuit 109 shall turn OFF 20 to 25 ms after the level of the received signal appearing at the line terminals of the modem falls below the relevant threshold defined as follows:

Greater than –43 dBm: circuit 109 ON

Less than –48 dBm: circuit 109 OFF

The condition of circuit 109 between the ON and OFF levels is not specified except that the signal detector shall provide hysteresis, such that the level at which the OFF to ON transition occurs shall be at least 2 dB greater than that for the ON to OFF transition.

## 7 Scrambler

A self-synchronizing scrambler shall be included in the modem for the primary channel data. Auxiliary channel data is not scrambled. Each transmission direction uses a different scrambler. According to the direction of transmission, the generating polynomial is:

$$\text{Call mode modem generating polynomial: } (GPC) = 1 + x^{-18} + x^{-23} \quad (7-1/V.34)$$

or

$$\text{Answer mode modem generating polynomial: } (GPA) = 1 + x^{-5} + x^{-23} \quad (7-2/V.34)$$

At the transmitter, the scrambler shall effectively divide the primary channel data sequence by the generating polynomial. The coefficients of the quotients of this division, taken in descending order, form the data sequence which shall appear at the output of the scrambler.

## 8 Framing

### 8.1 Overview

Figure 3 provides an overview of the frame structure.

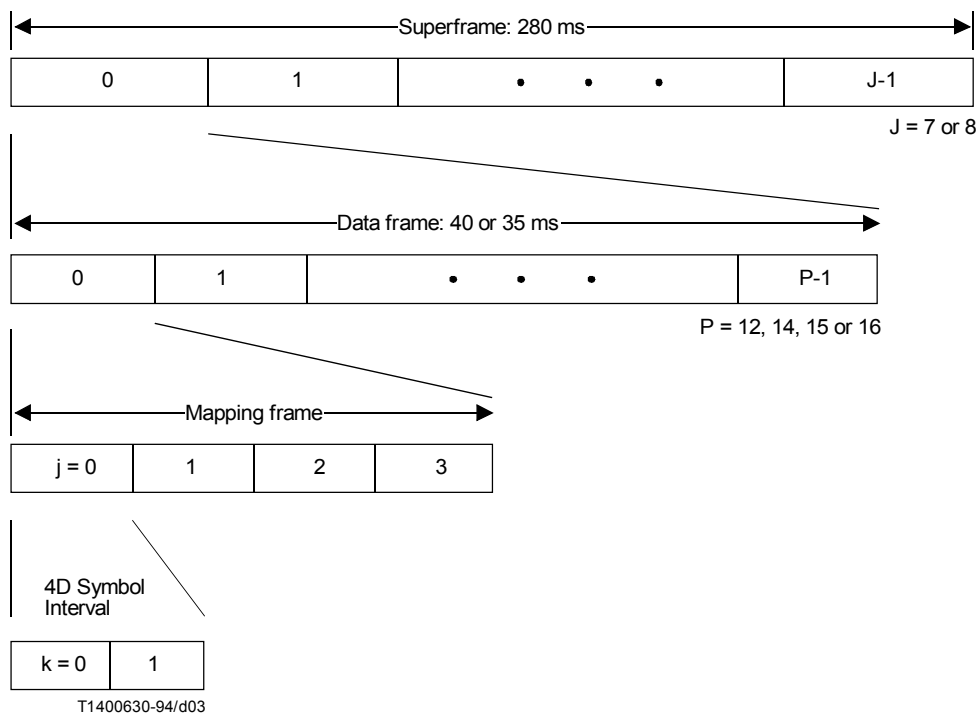


FIGURE 3/V.34  
Overview of framing and indexing

The duration of a superframe is 280 ms. A superframe shall consist of J data frames, where J = 7 at symbol rates 2400, 2800, 3000, and 3200, and J = 8 at symbol rates 2743 and 3429. A data frame shall consist of P mapping frames, where P is specified in Table 7. A mapping frame shall consist of four four-dimensional (4D) symbol intervals. A 4D symbol interval shall consist of two 2D symbol intervals. A bit inversion method shall be used for superframe synchronization (see 9.6.3).

TABLE 7/V.34

**Framing parameters**

Symbol Rate, S	J	P
2400	7	12
2743	8	12
2800	7	14
3000	7	15
3200	7	16
3429	8	15

Mapping frames are indicated by the time index  $i$ , where  $i = 0$  for the first mapping frame of signal B1 defined in 10.1.3.1, and is incremented by 1 for each mapping frame thereafter. 4D symbol intervals are indicated by the time index  $m = 4i + j$ , where  $j (= 0, 1, 2, 3)$  is a cyclic time index that indicates the position of the 4D symbol interval in a mapping frame. 2D symbol intervals are indicated by the time index  $n = 2m + k$ , where  $k (= 0, 1)$  is a cyclic time index that indicates the position of the 2D symbol interval in a 4D symbol interval.

**8.2 Mapping Frame Switching**

An integer number of data bits shall be transmitted in every data frame. The total number of primary and auxiliary channel data bits transmitted in a data frame is denoted by:

$$N = R \cdot 0.28/J \quad (8-1/V.34)$$

where  $R$  is the sum of the primary channel data signalling rate and the auxiliary channel data signalling rate.

The total number of (primary and auxiliary channel) data bits transmitted in a mapping frame shall vary between  $b - 1$  ("low frame") and  $b$  ("high frame") bits according to a periodic switching pattern SWP, of period  $P$ , such that the average number of data bits per mapping frame is  $N/P$ . The value of  $b$  is defined as the smallest integer not less than  $N/P$ . The number of high frames in a period is the remainder

$$r = N - (b - 1)P \quad (8-2/V.34)$$

where  $1 \leq r \leq P$

SWP is represented by 12 to 16-bit binary numbers where 0 and 1 represent low and high frames, respectively. The left-most bit corresponds to the first mapping frame in a data frame. The right-most bit is always 1.

SWP may be derived using an algorithm which uses a counter as follows: Prior to each data frame the counter is set to zero. The counter is incremented by  $r$  at the beginning of each mapping frame. If the counter is less than  $P$ , send a low frame; otherwise, send a high frame and decrement the counter by  $P$ .

Table 8 gives the values for  $b$  and SWP for all combinations of data rate and symbol rate. In Table 8, SWP is represented as a hexadecimal number. For example, at 19 200 bit/s and symbol rate 3000, SWP is 0421 (hex) or 000 0100 0010 0001 (binary).

**8.3 Multiplexing of Primary and Auxiliary Channel Bits**

The auxiliary channel bits shall be time-division multiplexed with the scrambled primary channel bits.

The number of auxiliary channel bits transmitted per data frame is  $W = 8$  at symbol rates 2400, 2800, 3000, and 3200, and  $W = 7$  at symbol rates 2743 and 3429. In each mapping frame, the bit  $I_{i,0}$  is used to send either an auxiliary channel bit or a primary channel bit according to the auxiliary channel multiplexing pattern, AMP, of period  $P$  (see Figure 4). AMP can be represented as a  $P$ -bit binary number where a 1 indicates that an auxiliary channel bit is sent and a 0 indicates that a primary channel bit is sent. AMP depends only upon the symbol rate and is given in Table 9 as a hexadecimal number. The left-most bit corresponds to the first mapping frame in a data frame.

TABLE 8/V.34

**[b, Switching Pattern (SWP)] as a function of data rate and symbol rate**

Data Rate, R	2400 sym/s		2743 sym/s		2800 sym/s		3000 sym/s		3200 sym/s		3429 sym/s	
	P = 12		P = 12		P = 14		P = 15		P = 16		P = 15	
	b	SWP	b	SWP	b	SWP	b	SWP	b	SWP	b	SWP
2400	8	FFF	–	–	–	–	–	–	–	–	–	–
2600	9	6DB	–	–	–	–	–	–	–	–	–	–
4800	16	FFF	14	FFF	14	1BB7	13	3DEF	12	FFFF	12	0421
5000	17	6DB	15	56B	15	0489	14	1249	13	5555	12	36DB
7200	24	FFF	21	FFF	21	15AB	20	0421	18	FFFF	17	3DEF
7400	25	6DB	22	56B	22	0081	20	3777	19	5555	18	0889
9600	32	FFF	28	FFF	28	0A95	26	2D6B	24	FFFF	23	14A5
9800	33	6DB	29	56B	28	3FFF	27	0081	25	5555	23	3F7F
12 000	40	FFF	35	FFF	35	0489	32	7FFF	30	FFFF	28	7FFF
12 200	41	6DB	36	56B	35	1FBF	33	2AAB	31	5555	29	1555
14 400	48	FFF	42	FFF	42	0081	39	14A5	36	FFFF	34	2D6B
14 600	49	6DB	43	56B	42	1BB7	39	3FFF	37	5555	35	0001
16 800	56	FFF	49	FFF	48	3FFF	45	3DEF	42	FFFF	40	0421
17 000	57	6DB	50	56B	49	15AB	46	1249	43	5555	40	36DB
19 200	64	FFF	56	FFF	55	1FBF	52	0421	48	FFFF	45	3DEF
19 400	65	6DB	57	56B	56	0A95	52	3777	49	5555	46	0889
21 600	72	FFF	63	FFF	62	1BB7	58	2D6B	54	FFFF	51	14A5
21 800	73	6DB	64	56B	63	0489	59	0081	55	5555	51	3F7F
24 000	–	–	70	FFF	69	15AB	64	7FFF	60	FFFF	56	7FFF
24 200	–	–	71	56B	70	0081	65	2AAB	61	5555	57	1555
26 400	–	–	–	–	–	–	71	14A5	66	FFFF	62	2D6B
26 600	–	–	–	–	–	–	71	3FFF	67	5555	63	0001
28 800	–	–	–	–	–	–	–	–	72	FFFF	68	0421
29 000	–	–	–	–	–	–	–	–	73	5555	68	36DB

The auxiliary channel multiplexing pattern may be derived using an algorithm similar to the algorithm for SWP, the frame switching pattern. Prior to each data frame, a counter is set to zero. The counter is incremented by W at the beginning of each mapping frame. If the counter is less than P, a primary channel bit is sent; otherwise, an auxiliary channel bit is sent, and the counter is decremented by P.

TABLE 9/V.34

**Auxiliary channel multiplexing parameters**

Symbol Rate, S	W	P	AMP
2400	8	12	6DB
2743	7	12	56B
2800	8	14	15AB
3000	8	15	2AAB
3200	8	16	5555
3429	7	15	1555



## 9 Encoder

The block diagram in Figure 4 is an overview of the encoder.

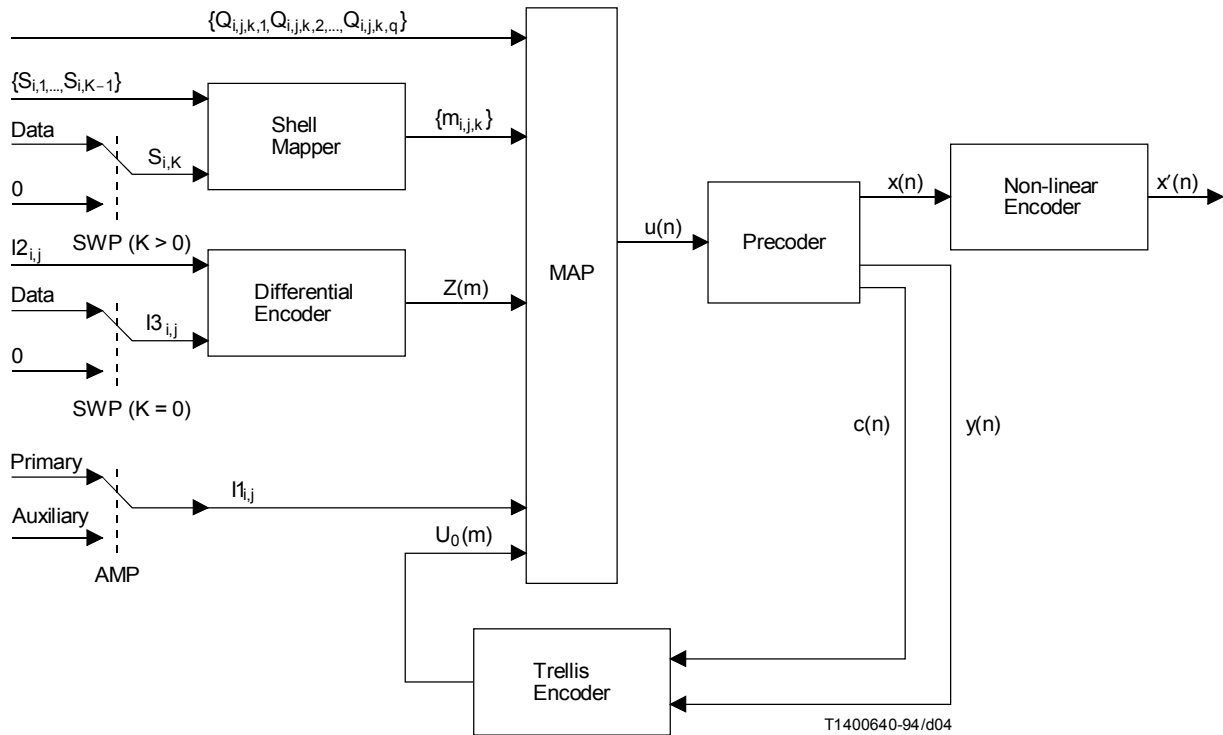


FIGURE 4/V.34  
Encoder block diagram

### 9.1 Signal Constellations

Signal constellations consist of complex-valued signal points which lie on a two-dimensional rectangular grid.

All signal constellations used in this Recommendation are subsets of a 960-point superconstellation. Figure 5 shows one-quarter of the points in the superconstellation. These points are labelled with decimal integers between 0 and 239. The point with the smallest magnitude is labelled as 0, the point with the next larger magnitude is labelled as 1, and so on. When two or more points have the same magnitude, the point with the greatest imaginary component is taken first. The full superconstellation is the union of the four quarter-constellations obtained by rotating the constellation in Figure 5 by 0, 90, 180, and 270 degrees.

A signal constellation with  $L$  points consists of the  $L/4$  points from the quarter-constellation in Figure 5 with labels 0 through  $L/4 - 1$ , and the  $3L/4$  points which are obtained by 90, 180 and 270 degree rotations of these signal points.

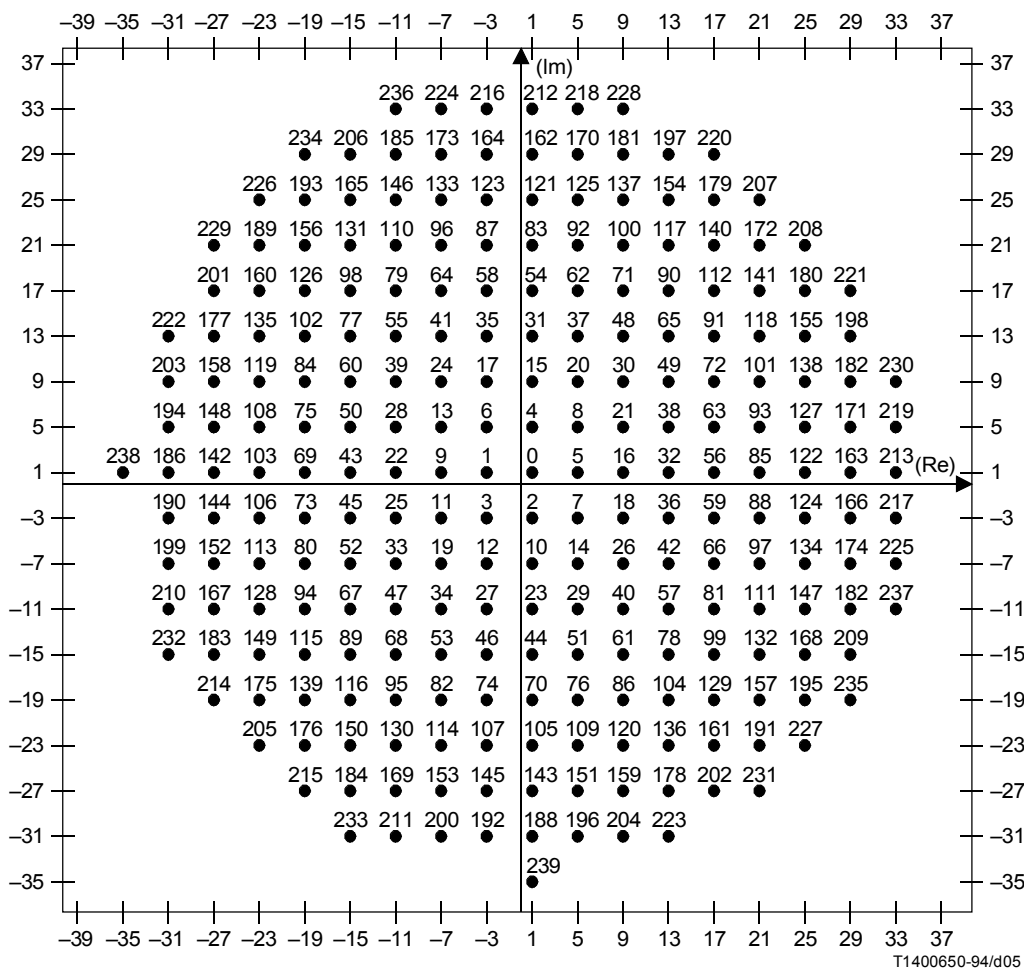


FIGURE 5/V.34

One-quarter of the points in the superconstellation

## 9.2 Mapping Parameters

The number of bits put into the shell mapper per mapping frame is denoted by  $K$  where  $0 \leq K < 32$ . The values of  $K$  are given in Table 10.  $K$  can also be determined from  $b$  as follows:

$$\begin{aligned} K &= 0 && \text{if } b \leq 12 \\ &= b - 12 - 8q && \text{if } b > 12 \end{aligned} \quad (9-1/V.34)$$

where  $q$  is the smallest non-negative integer such that  $K < 32$  ( $q = 0$  when  $K = 0$ ).

The 2D signal constellation is partitioned into  $M$  concentric rings of equal size. For each data rate and symbol rate, two possible values of  $M$  are allowed: a “minimum” value which minimizes the number of points in the 2D signal constellation, and a larger value which allows the achievement of shaping gain.  $M$  is selected during Phase 4 of the start-up procedures as described in 11.4 or 12.4.

The values of  $M$  are given in Table 10. These values can also be calculated from  $K$  as follows: the minimum value of  $M$  is the smallest integer no less than  $2^{K/8}$  and the larger value of  $M$  is the nearest integer to  $1.25 \cdot 2^{K/8}$  (not less than the minimum value of  $M$ ).

Table 10 gives the number of signal points  $L$  in the 2D signal constellation.  $L$  can also be calculated according to:

$$L = 4M \cdot 2^q \quad (9-2/V.34)$$

TABLE 10/V.34

## Mapping parameters K, M and L at different data rates and symbol rates

Symbol Rate, S	Data Rate, R	K	M		L	
			Minimum	Expanded	Minimum	Expanded
2400	2400	0	1	1	4	4
	2600	0	1	1	4	4
	4800	4	2	2	8	8
	5000	5	2	2	8	8
	7200	12	3	4	12	16
	7400	13	4	4	16	16
	9600	20	6	7	24	28
	9800	21	7	8	28	32
	12 000	28	12	14	48	56
	12 200	29	13	15	52	60
	14 400	28	12	14	96	112
	14 600	29	13	15	104	120
	16 800	28	12	14	192	224
	17 000	29	13	15	208	240
	19 200	28	12	14	384	448
	19 400	29	13	15	416	480
	21 600	28	12	14	768	896
21 800	29	13	15	832	960	
2743	4800	2	2	2	8	8
	5000	3	2	2	8	8
	7200	9	3	3	12	12
	7400	10	3	3	12	12
	9600	16	4	5	16	20
	9800	17	5	5	20	20
	12 000	23	8	9	32	36
	12 200	24	8	10	32	40
	14 400	30	14	17	56	68
	14 600	31	15	18	60	72
	16 800	29	13	15	104	120
	17 000	30	14	17	112	136
	19 200	28	12	14	192	224
	19 400	29	13	15	208	240
	21 600	27	11	13	352	416
	21 800	28	12	14	384	448
	24 000	26	10	12	640	768
24 200	27	11	13	704	832	

TABLE 10/V.34 (continued)

## Mapping parameters K, M and L at different data rates and symbol rates

Symbol Rate, S	Data Rate, R	K	M		L	
			Minimum	Expanded	Minimum	Expanded
2800	4800	2	2	2	8	8
	5000	3	2	2	8	8
	7200	9	3	3	12	12
	7400	10	3	3	12	12
	9600	16	4	5	16	20
	9800	16	4	5	16	20
	12 000	23	8	9	32	36
	12 200	23	8	9	32	36
	14 400	30	14	17	56	68
	14 600	30	14	17	56	68
	16 800	28	12	14	96	112
	17 000	29	13	15	104	120
	19 200	27	11	13	176	208
	19 400	28	12	14	192	224
	21 600	26	10	12	320	384
	21 800	27	11	13	352	416
	24 000	25	9	11	576	704
24 200	26	10	12	640	768	
3000	4800	1	2	2	8	8
	5000	2	2	2	8	8
	7200	8	2	3	8	12
	7400	8	2	3	8	12
	9600	14	4	4	16	16
	9800	15	4	5	16	20
	12 000	20	6	7	24	28
	12 200	21	7	8	28	32
	14 400	27	11	13	44	52
	14 600	27	11	13	44	52
	16 800	25	9	11	72	88
	17 000	26	10	12	80	96
	19 200	24	8	10	128	160
	19 400	24	8	10	128	160
	21 600	30	14	17	224	272
	21 800	31	15	18	240	288
	24 000	28	12	14	384	448
24 200	29	13	15	416	480	
26 400	27	11	13	704	832	
26 600	27	11	13	704	832	

TABLE 10/V.34 (end)

Mapping parameters K, M and L at different data rates and symbol rates

Symbol Rate, S	Data Rate, R	K	M		L	
			Minimum	Expanded	Minimum	Expanded
3200	4800	0	1	1	4	4
	5000	1	2	2	8	8
	7200	6	2	2	8	8
	7400	7	2	2	8	8
	9600	12	3	4	12	16
	9800	13	4	4	16	16
	12 000	18	5	6	20	24
	12 200	19	6	6	24	24
	14 400	24	8	10	32	40
	14 600	25	9	11	36	44
	16 800	30	14	17	56	68
	17 000	31	15	18	60	72
	19 200	28	12	14	96	112
	19 400	29	13	15	104	120
	21 600	26	10	12	160	192
	21 800	27	11	13	176	208
	24 000	24	8	10	256	320
	24 200	25	9	11	288	352
	26 400	30	14	17	448	544
26 600	31	15	18	480	576	
28 800	28	12	14	768	896	
29 000	29	13	15	832	960	
3429	4800	0	1	1	4	4
	5000	0	1	1	4	4
	7200	5	2	2	8	8
	7400	6	2	2	8	8
	9600	11	3	3	12	12
	9800	11	3	3	12	12
	12 000	16	4	5	16	20
	12 200	17	5	5	20	20
	14 400	22	7	8	28	32
	14 600	23	8	9	32	36
	16 800	28	12	14	48	56
	17 000	28	12	14	48	56
	19 200	25	9	11	72	88
	19 400	26	10	12	80	96
	21 600	31	15	18	120	144
	21 800	31	15	18	120	144
	24 000	28	12	14	192	224
	24 200	29	13	15	208	240
	26 400	26	10	12	320	384
26 600	27	11	13	352	416	
28 800	24	8	10	512	640	
29 000	24	8	10	512	640	

## 9.3 Parser

### 9.3.1 Procedure for $b > 12$

In high mapping frames ( $b$  bits), the first  $K$  scrambled primary channel data bits are put into the shell mapper, where the values of  $K$  are given in Table 10. In low mapping frames ( $b - 1$  bits), a zero bit is inserted after the first  $K - 1$  bits, and the resulting  $K$  bits are then put into the shell mapper.

The first  $K$  scrambled data bits in mapping frame  $i$  are denoted by  $(S_{i,1}, S_{i,2}, \dots, S_{i,K})$ . In low frames,  $S_{i,K} = 0$ .

In each mapping frame the remaining  $b - K$  bits are divided into four groups of equal size, corresponding to four 4D symbols. The first three bits in each group are denoted by  $(I_{1i,j}, I_{2i,j}, I_{3i,j})$ ,  $0 \leq j \leq 3$ . (When the auxiliary channel is present, the bit  $I_{1i,0}$  in the first group is either a primary channel bit or an auxiliary channel bit depending on AMP, the Auxiliary Channel Multiplexing Pattern, as explained in 8.3.) The remaining  $2q = (b - K)/4 - 3$  bits are divided into two subgroups of size  $q$  denoted by  $(Q_{i,j,k,1}, Q_{i,j,k,2}, \dots, Q_{i,j,k,q})$ ,  $0 \leq k \leq 1$ , corresponding to two 2D symbols. Thus, mapping frame  $i$  consists of the following sequence of bits:

$(S_{i,1}, S_{i,2}, \dots, S_{i,K})$ ,  
 $(I_{1i,0}, I_{2i,0}, I_{3i,0}), (Q_{i,0,0,1}, Q_{i,0,0,2}, \dots, Q_{i,0,0,q}), (Q_{i,0,1,1}, Q_{i,0,1,2}, \dots, Q_{i,0,1,q})$ ,  
 $(I_{1i,1}, I_{2i,1}, I_{3i,1}), (Q_{i,1,0,1}, Q_{i,1,0,2}, \dots, Q_{i,1,0,q}), (Q_{i,1,1,1}, Q_{i,1,1,2}, \dots, Q_{i,1,1,q})$ ,  
 $(I_{1i,2}, I_{2i,2}, I_{3i,2}), (Q_{i,2,0,1}, Q_{i,2,0,2}, \dots, Q_{i,2,0,q}), (Q_{i,2,1,1}, Q_{i,2,1,2}, \dots, Q_{i,2,1,q})$ ,  
 $(I_{1i,3}, I_{2i,3}, I_{3i,3}), (Q_{i,3,0,1}, Q_{i,3,0,2}, \dots, Q_{i,3,0,q}), (Q_{i,3,1,1}, Q_{i,3,1,2}, \dots, Q_{i,3,1,q})$ .

NOTE –  $S_{i,1}$  is the earliest bit in time, and  $Q_{i,3,1,q}$  is the latest.

### 9.3.2 Procedure for $b \leq 12$

For this case,  $K = 0$  and the ring indices  $m_{i,j,k}$  generated by the shell mapper are always zero. In each mapping frame, the  $b$  bits are divided into four groups corresponding to four 4D symbols. The bits in each group are denoted by  $(I_{1i,j}, I_{2i,j}, I_{3i,j})$ ,  $0 \leq j \leq 3$ . (When the auxiliary channel is present, the bit  $I_{1i,0}$  in the first group is either a primary channel bit or an auxiliary channel bit depending upon AMP, as explained in 8.3.) According to the switching patterns given in Table 8, 8, 9, 11 or 12 bits are transmitted per mapping frame in the following order:

8 bits per mapping frame:  $(I_{1i,0}, I_{2i,0}, 0), (I_{1i,1}, I_{2i,1}, 0), (I_{1i,2}, I_{2i,2}, 0), (I_{1i,3}, I_{2i,3}, 0)$   
 9 bits per mapping frame:  $(I_{1i,0}, I_{2i,0}, I_{3i,0}), (I_{1i,1}, I_{2i,1}, 0), (I_{1i,2}, I_{2i,2}, 0), (I_{1i,3}, I_{2i,3}, 0)$   
 11 bits per mapping frame:  $(I_{1i,0}, I_{2i,0}, I_{3i,0}), (I_{1i,1}, I_{2i,1}, I_{3i,1}), (I_{1i,2}, I_{2i,2}, I_{3i,2}), (I_{1i,3}, I_{2i,3}, 0)$   
 12 bits per mapping frame:  $(I_{1i,0}, I_{2i,0}, I_{3i,0}), (I_{1i,1}, I_{2i,1}, I_{3i,1}), (I_{1i,2}, I_{2i,2}, I_{3i,2}), (I_{1i,3}, I_{2i,3}, I_{3i,3})$

## 9.4 Shell Mapper

In every mapping frame, the shell mapper maps  $K$  input bits  $(S_{i,1}, S_{i,2}, \dots, S_{i,K})$  into 8 output ring indices  $\{m_{i,0,0}, m_{i,0,1}, \dots, m_{i,3,0}, m_{i,3,1}\}$ , where  $0 \leq m_{i,j,K} < M$ , according to the algorithm described below which specifies the mapping function between input bits and output indices. The parameters  $K$  and  $M$  are specified in 9.2.

NOTE – Other implementations are possible but the mapping function must be identical to that given in the algorithm described below.

### Definitions:

$$g_2(p) = M - \text{abs}[p - M + 1] \quad 0 \leq p \leq 2(M - 1)$$

$$= 0 \quad \text{otherwise} \quad (9-3/V.34)$$

$$g_4(p) = g_2(0)g_2(p) + g_2(1)g_2(p-1) + \dots + g_2(p)g_2(0) \quad 0 \leq p \leq 4(M - 1)$$

$$= 0 \quad \text{otherwise} \quad (9-4/V.34)$$

$$g_8(p) = g_4(0)g_4(p) + g_4(1)g_4(p-1) + \dots + g_4(p)g_4(0) \quad 0 \leq p \leq 8(M - 1) \quad (9-5/V.34)$$

$$z_8(p) = g_8(0) + g_8(1) + g_8(2) + \dots + g_8(p-1) \quad 0 \leq p \leq 8(M - 1) \quad (9-6/V.34)$$

**Algorithm:**

The algorithm shall first determine 8 integers A, B, C, D, E, F, G, H as follows:

- 1) Represent the K shell mapping bits by an integer  $R_0$  defined by

$$R_0 = S_{i,1} + 2^1 \cdot S_{i,2} + 2^2 \cdot S_{i,3} + \dots + 2^{K-1} \cdot S_{i,K} \quad (9-7/V.34)$$

- 2) Find the largest integer A for which  $z_8(A) \leq R_0$ .

- 3) Determine the largest integer B such that  $R_1 \geq 0$ , where

$$\begin{aligned} R_1 &= R_0 - z_8(A) && \text{if } B = 0 \\ &= R_0 - z_8(A) - \sum_{p=0}^{B-1} g_4(p)g_4(A-p) && \text{if } B > 0 \end{aligned} \quad (9-8/V.34)$$

- 4) Determine the integers:

$$R_2 = R_1 \text{ modulo } g_4(B), \text{ where } 0 \leq R_2 \leq g_4(B) - 1 \quad (9-9/V.34)$$

$$R_3 = (R_1 - R_2)/g_4(B) \quad (9-10/V.34)$$

- 5.1) Determine the largest integer C such that  $R_4 \geq 0$ , where

$$\begin{aligned} R_4 &= R_2 && \text{if } C = 0 \\ &= R_2 - \sum_{p=0}^{C-1} g_2(p)g_2(B-p) && \text{if } C > 0 \end{aligned} \quad (9-11/V.34)$$

- 5.2) Determine the largest integer D such that  $R_5 \geq 0$ , where

$$\begin{aligned} R_5 &= R_3 && \text{if } D = 0 \\ &= R_3 - \sum_{p=0}^{D-1} g_2(p)g_2(A-B-p) && \text{if } D > 0 \end{aligned} \quad (9-12/V.34)$$

- 6.1) Determine the integers:

$$E = R_4 \text{ modulo } g_2(C), \text{ where } 0 \leq E \leq g_2(C) - 1 \quad (9-13/V.34)$$

$$F = (R_4 - E)/g_2(C) \quad (9-14/V.34)$$

- 6.2) Determine the integers:

$$G = R_5 \text{ modulo } g_2(D), \text{ where } 0 \leq G \leq g_2(D) - 1 \quad (9-15/V.34)$$

$$H = (R_5 - G)/g_2(D) \quad (9-16/V.34)$$

The ring indices are determined from the integers A, B, C, D, E, F, G, H as follows:

- If  $C < M$ , then  $m_{i,0,0} = E$  and  $m_{i,0,1} = C - m_{i,0,0}$  (9-17/V.34)

- If  $C \geq M$ , then  $m_{i,0,1} = M - 1 - E$  and  $m_{i,0,0} = C - m_{i,0,1}$  (9-18/V.34)

- If  $B - C < M$ , then  $m_{i,1,0} = F$  and  $m_{i,1,1} = B - C - m_{i,1,0}$  (9-19/V.34)

- If  $B - C \geq M$ , then  $m_{i,1,1} = M - 1 - F$  and  $m_{i,1,0} = B - C - m_{i,1,1}$  (9-20/V.34)

- If  $D < M$ , then  $m_{i,2,0} = G$  and  $m_{i,2,1} = D - m_{i,2,0}$  (9-21/V.34)
- If  $D \geq M$ , then  $m_{i,2,1} = M - 1 - G$  and  $m_{i,2,0} = D - m_{i,2,1}$  (9-22/V.34)
- If  $A - B - D < M$ , then  $m_{i,3,0} = H$  and  $m_{i,3,1} = A - B - D - m_{i,3,0}$  (9-23/V.34)
- If  $A - B - D \geq M$ , then  $m_{i,3,1} = M - 1 - H$  and  $m_{i,3,0} = A - B - D - m_{i,3,1}$  (9-24/V.34)

## 9.5 Differential Encoder

In each 4D symbol interval  $m = 4i + j$ , the two bits ( $I_{2i,j}, I_{3i,j}$ ) shall be converted into an integer

$$I(m) = I_{2i,j} + 2 \cdot I_{3i,j} \quad (9-25/V.34)$$

A differential encoder shall generate an integer  $Z(m)$  as the modulo-4 sum of  $I(m)$  and the previously generated integer  $Z(m-1)$  as shown in Figure 6.

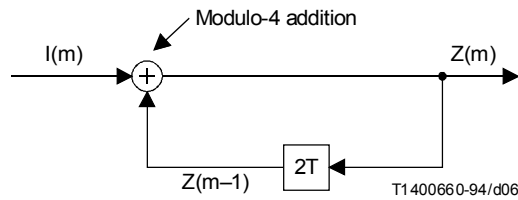


FIGURE 6/V.34  
Differential Encoder

## 9.6 Mapper, Precoder and Trellis Encoder

The operations to implement the mapper, precoder and the trellis encoder are interdependent. Table 11 gives a sequence of steps for implementing the operations.

TABLE 11/V.34

Sequence of Operations for Mapper, Precoder and Trellis Encoder

Step	Inputs	Operation	Outputs
1	$Z(m), v(2m)$	9.6.1	$u(2m)$
2	$u(2m), c(2m), p(2m)$	9.6.2, item 4	$y(2m), x(2m)$
3	$x(2m)$	9.6.2, items 1-3	$c(2m + 1), p(2m + 1)$
4	$c(2m), c(2m + 1)$	9.6.3.3	$C_0(m)$
5	$C_0(m), Y_0(m), V_0(m)$	9.6.3	$U_0(m)$
6	$Z(m), U_0(m), v(2m + 1)$	9.6.1	$u(2m + 1)$
7	$u(2m + 1), c(2m + 1), p(2m + 1)$	9.6.2, item 4	$y(2m + 1), x(2m + 1)$
8	$x(2m + 1)$	9.6.2, items 1-3	$c(2m + 2), p(2m + 2)$
9	$y(2m), y(2m + 1)$	9.6.3.1, 9.6.3.2	$Y_0(m + 1)$



### 9.6.1 Mapper

For each 2D symbol interval  $n = 8i + 2j + k$ , from the  $q$ -bit subgroup  $(Q_{i,j,k,1}, Q_{i,j,k,2}, \dots, Q_{i,j,k,q})$  and the ring index  $m_{i,j,k}$ , the mapper shall compute a mapping index  $Q(n)$ :

$$Q(n) = Q_{i,j,k,1} + 2^1 \cdot Q_{i,j,k,2} + 2^2 \cdot Q_{i,j,k,3} + \dots + 2^{q-1} \cdot Q_{i,j,k,q} + 2^q \cdot m_{i,j,k} \quad (9-26/V.34)$$

For each 4D symbol interval  $m = 4i + j$ , the mapping indices  $Q(2m)$  and  $Q(2m + 1)$  label two signal points  $v(2m)$  and  $v(2m + 1)$ , respectively, from the quarter superconstellation of Figure 5. The output 2D signal points  $u(2m)$  and  $u(2m + 1)$  are obtained by rotating  $v(2m)$  by  $Z(m) \cdot 90$  degrees clockwise and  $v(2m + 1)$  by  $[Z(m) + 2 \cdot I_{i,j} + U_0(m)] \cdot 90$  degrees clockwise, respectively. The bit  $U_0(m)$  is the output of the trellis encoder, and is obtained according to the method described in 9.6.3.

NOTE – For precoding interoperability, it is important that  $u(2m)$  and  $u(2m + 1)$  are generated exactly.

### 9.6.2 Precoder

The precoder shown in Figure 7 receives the complex-valued signal points  $u(n)$  from the mapper and generates the complex-valued signal  $x(n)$  according to:

$$x(n) = u(n) + c(n) - p(n) \quad (9-27/V.34)$$

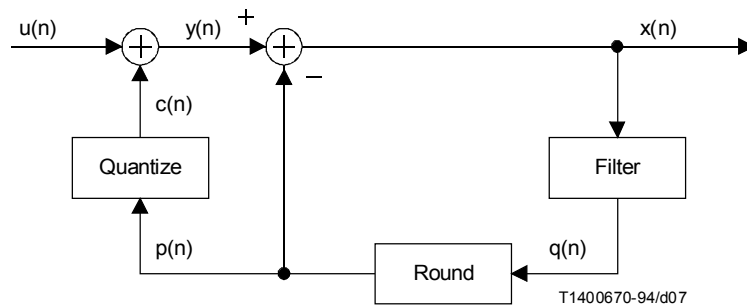


FIGURE 7/V.34  
Block Diagram of Precoder

The complex-valued signals  $c(n)$  and  $p(n)$  are determined according to the algorithm specified below. The precoded signal  $x(n)$  is provided to the non-linear encoder and the signals  $c(n)$  and  $y(n) = u(n) + c(n)$ , indicated in Figure 7, are provided to the trellis encoder.

NOTE – To ensure interoperability, the signals  $x(n)$ ,  $c(n)$  and  $y(n)$  must be *precisely* the same as in the algorithm specified below.

The complex-valued precoding coefficients  $\{h(p), p = 1, 2, 3\}$  are provided by the receiving modem during Phase 4 of the modem start-up procedures described in 11.4. or 12.4. Their real and imaginary components are represented in the 16-bit two's-complement format with 14 bits after the binary point, and assume values in the half-open interval  $(-2, 2)$ . The coefficients shall be constrained such that the absolute value of the real and imaginary components of  $y(n)$  always satisfy  $\text{abs}[y_{r,i}(n)] \leq 255$ .

The precoder shall determine the signals  $x(n)$ ,  $c(n)$  and  $y(n)$  based on the input  $u(n)$ , the precoding coefficients  $\{h(p), p = 1, 2, 3\}$  and the three most recent precoded symbols  $\{x(n - p), p = 1, 2, 3\}$ , as follows:

- 1) Compute the filter output using complex arithmetic according to:

$$q(n) = \sum_{p=1}^3 x(n - p)h(p) \quad (9-28/V.34)$$

- 2) Round the real and imaginary components of  $q(n)$  to the respective nearest integer multiples of  $2^{-7}$  to obtain  $p(n)$ . When a component falls exactly half-way between two integer multiples of  $2^{-7}$ , round it to the one with the smaller magnitude.

- 3) Quantize the real and imaginary components of  $p(n)$  to the respective nearest integer multiple of  $2w$  to obtain  $c(n)$ . When a component falls exactly half-way between two integer multiples of  $2w$ , quantize it to the one with the smaller magnitude.

Here the scale factor  $w$  is:

$$\begin{aligned} w &= 1, \text{ when } b < 56 \\ &= 2, \text{ when } b \geq 56 \end{aligned} \quad (9-29/V.34)$$

where  $b$  is the number of bits in a high mapping frame as defined in Table 7.

- 4) Compute the channel output signal  $y(n)$  and the precoded signal  $x(n)$  according to:

$$y(n) = u(n) + c(n) \quad (9-30/V.34)$$

$$x(n) = y(n) - p(n) \quad (9-31/V.34)$$

### 9.6.3 Trellis Encoder

The trellis encoder shown in Figure 8 generates the bit  $U_0(m)$  for the mapper once every 4D interval  $m$ .

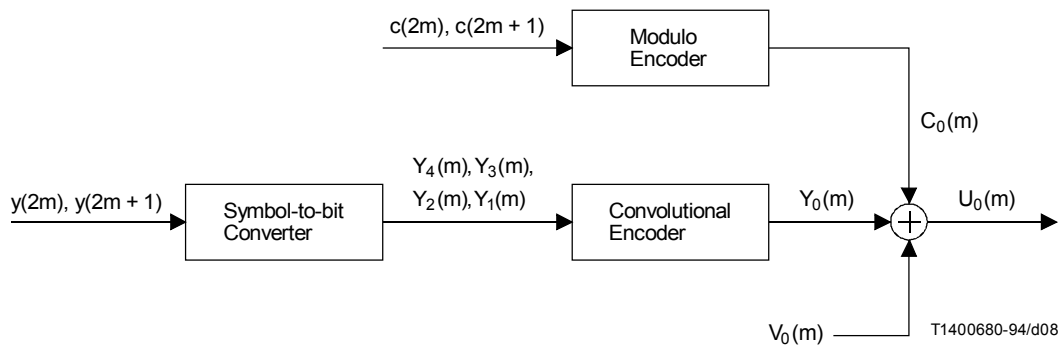


FIGURE 8/V.34

#### Block Diagram of Trellis Encoder

The trellis encoder consists of a convolutional encoder which generates an output bit  $Y_0(m)$  and a modulo encoder which generates an output bit  $C_0(m)$ .  $U_0(m)$  is then determined as the modulo 2 sum

$$U_0(m) = Y_0(m) \oplus C_0(m) \oplus V_0(m) \quad (9-32/V.34)$$

where the bit  $V_0(m)$  represents bit inversions for purposes of superframe synchronization. Bit inversions are introduced in the 4D symbol interval in the beginning of each half data frame (i.e. when  $m$  is an integer multiple of  $2P$ ), according to the periodic bit inversion pattern specified in Table 12. The left-most bit corresponds to the first half data frame of a superframe. The period of the bit inversion pattern is 16 when  $J = 8$ , and 14 when  $J = 7$ .

TABLE 12/V.34

#### Bit inversion patterns

J	Pattern
8	01 11 01 11 11 11 10 10
7	01 11 01 11 11 11 10

### 9.6.3.1 Symbol-to-Bit Converter

The symbol-to-bit converter generates four bits  $[Y_4(m), Y_3(m), Y_2(m), Y_1(m)]$  as follows:

The complex 2D channel output symbols  $y(2m)$  and  $y(2m + 1)$  lie on a 2D rectangular grid with odd-integer coordinates. The signal points on the grid are represented by a 3-bit subset label in an 8-way set partition. This labelling of points is shown in Figure 9 for a small subset of the points near the origin.

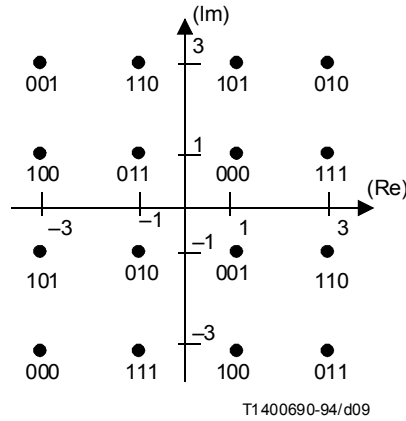


FIGURE 9/V.34

Labelling of channel output points  $y(2m)$  or  $y(2m + 1)$

Two channel output symbols  $y(2m)$  and  $y(2m + 1)$  are used to generate two subset labels  $s(2m)$  and  $s(2m + 1)$ , respectively, which are converted into four input bits  $[Y_4(m), Y_3(m), Y_2(m), Y_1(m)]$  for the convolutional encoder according to Table 13.

TABLE 13/V.34

Table for  $[Y_4(m), Y_3(m), Y_2(m), Y_1(m)]$

s(2m)	s(2m + 1)							
	000	001	010	011	100	101	110	111
000	0000	0000	0001	0001	1000	1000	1001	1001
001	0011	0010	0010	0011	1011	1010	1010	1011
010	0101	0101	0100	0100	1101	1101	1100	1100
011	0110	0111	0111	0110	1110	1111	1111	1110
100	1000	1000	1001	1001	0000	0000	0001	0001
101	1011	1010	1010	1011	0011	0010	0010	0011
110	1101	1101	1100	1100	0101	0101	0100	0100
111	1110	1111	1111	1110	0110	0111	0111	0110

### 9.6.3.2 Convolutional Encoder

The bits  $[Y_4(m), Y_3(m), Y_2(m), Y_1(m)]$  are put into one of the systematic convolutional encoders shown in Figures 10, 11 and 12. The convolutional encoder generates an output bit  $Y_0(m)$ . There is an inherent delay of one 4D symbol interval in the convolutional encoder. Therefore, the output  $Y_0(m)$  does not depend on the current input  $[Y_4(m), Y_3(m), Y_2(m), Y_1(m)]$ .

The encoder shall be selected by the receiving modem during Phase 4 of the start-up procedures specified in 11.4 or 12.4. The following encoders are available:

- 16-state rate-2/3 (Figure 10);
- 32-state rate-3/4 (Figure 11);
- 64-state rate-4/5 (Figure 12).

For the 32-state encoder, the input bit  $Y_3(m)$  is not used. For the 16-state encoder, the input bits  $Y_4(m)$  and  $Y_3(m)$  are not used.

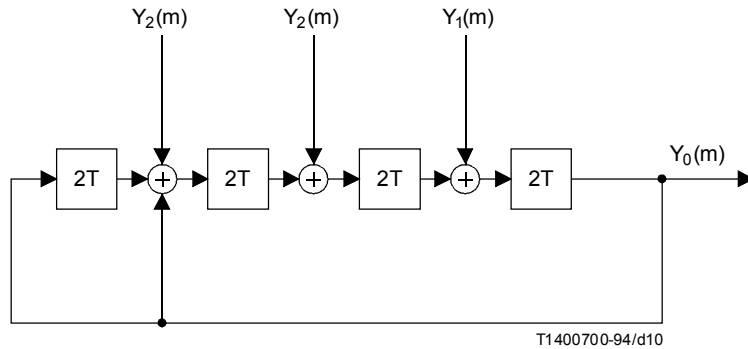


FIGURE 10/V.34  
16-state convolutional encoder

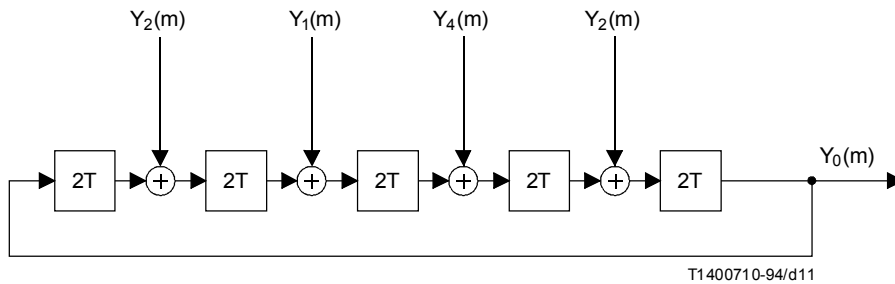


FIGURE 11/V.34  
32-state convolutional encoder

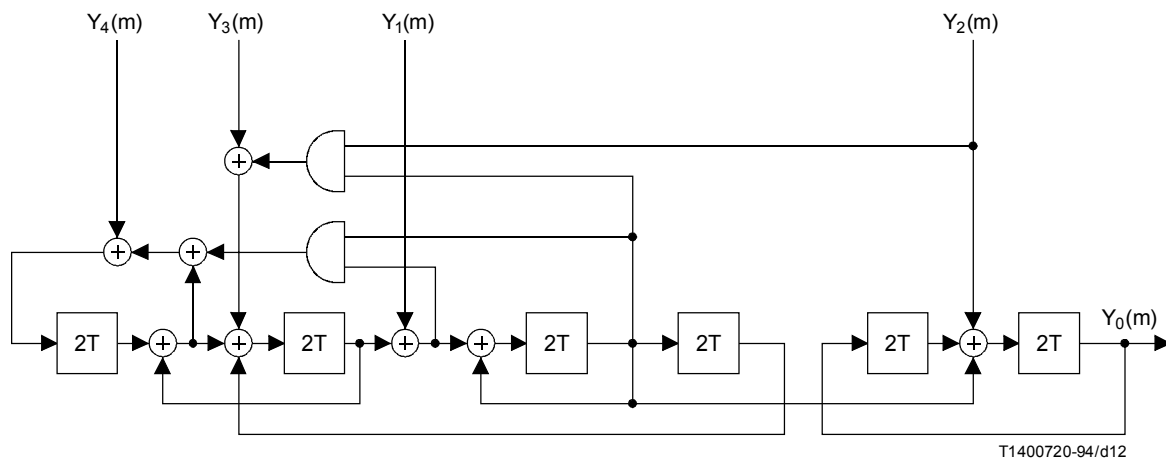


FIGURE 12/V.34  
64-state convolutional encoder

### 9.6.3.3 Modulo Encoder

The modulo encoder uses the 2D integer signals  $c(2m)$  and  $c(2m + 1)$  to generate the bit  $C_0(m)$  as follows: If the sum of the real and imaginary components of  $c(2m)/2$  and the sum of the real and imaginary components of  $c(2m + 1)/2$  are both even or both odd, then  $C_0(m) = 0$ ; otherwise  $C_0(m) = 1$ .

## 9.7 Non-linear Encoder

The signal  $x(n)$  is non-linear encoded according to:

$$x'(n) = \Phi(n) \times (n) \quad (9-33/V.34)$$

where the non-linear projection function is:

$$\Phi(n) = 1 + \zeta(n)/6 + \zeta^2(n)/120 \quad (9-34/V.34)$$

and

$$\zeta(n) = \frac{\Theta[x_r^2(n) + x_i^2(n)]}{[x_r^2(n) + x_i^2(n)]} \quad (9-35/V.34)$$

where  $\overline{[x_r^2(n) + x_i^2(n)]}$  represents the average energy of the signal  $x(n)$ . The constant  $\Theta$  has two possible values, 0 or 0.3125, and is selected during Phase 4 of start-up.

## 10 Start-up Signals and Sequences

This clause details the various signals and bit sequences used during modem start-up for both duplex and half-duplex operation.

NOTE – Although some of the signals used during start-up have the same nomenclature as variables defined in clauses 5 to 9, they are not related.

### 10.1 Signals and Sequences Used in Duplex Operation

#### 10.1.1 Phase 1

All signals in Phase 1 shall be transmitted at the nominal transmit power level.

#### **10.1.1.1 ANS**

Answer tone as defined in Recommendation V.25.

#### **10.1.1.2 ANSam**

As defined in Recommendation V.8.

#### **10.1.1.3 CI**

As defined in Recommendation V.8.

#### **10.1.1.4 CJ**

As defined in Recommendation V.8.

#### **10.1.1.5 CM**

As defined in Recommendation V.8.

#### **10.1.1.6 JM**

As defined in Recommendation V.8.

### **10.1.2 Phase 2**

During Phase 2, all signals except L1 shall be transmitted at the nominal transmit power level. If a recovery mechanism returns the modem to Phase 2 from a later phase, the transmit level shall revert to the nominal transmit power if the return point is before the L1, L2 probing segments. Otherwise, the previously negotiated transmit power level shall be maintained.

#### **10.1.2.1 A**

Tone A is a 2400 Hz tone transmitted by the answer modem. Transitions between A and  $\bar{A}$ , and similarly between  $\bar{A}$  and A, are 180 degree phase reversals in the 2400 Hz tone. During the transmission of A and  $\bar{A}$ , the answer modem sends an 1800 Hz guard tone without any phase reversals. Tone A is transmitted at 1 dB below the nominal transmit power while the guard tone is transmitted at 7 dB below the nominal transmit power.

NOTE – The bandwidth of a tone with phase reversals should not be constrained in a way that appreciably affects the accuracy of round-trip delay measurements.

#### **10.1.2.2 B**

Tone B is a 1200 Hz tone transmitted by the call modem. Transitions between B and  $\bar{B}$ , and similarly between  $\bar{B}$  and B, are 180 degree phase reversals in the 1200 Hz tone.

NOTE – The bandwidth of a tone with phase reversals should not be constrained in a way that appreciably affects the accuracy of round-trip delay measurements.

### **10.1.2.3 INFO Sequences**

INFO sequences are used to exchange modem capabilities, results of line probing, and data mode modulation parameters. Two sets of INFO sequences are used: (INFO0a, INFO0c) and (INFO1a, INFO1c), where “a” identifies INFO sequences sent by the answer modem, and “c” identifies INFO sequences sent by the call modem. During start-up error recovery, two additional sequences are used to indicate an error condition: INFOMARKSa and INFOMARKSc.

#### **10.1.2.3.1 Modulation**

All INFO sequences are transmitted using binary DPSK modulation at 600 bit/s  $\pm$  0.01%. The transmit point is rotated 180 degrees from the previous point if the transmit bit is a 1, and the transmit point is rotated 0 degrees from the previous point if the transmit bit is a 0. Each INFO sequence is preceded by a point at an arbitrary carrier phase. When multiple INFO sequences are transmitted as a group, only the first sequence is preceded by a point at an arbitrary carrier phase.

INFO sequences are transmitted by the answer modem with a carrier frequency of 2400 Hz  $\pm$  0.01%, at 1 dB below the nominal transmit power, plus an 1800 Hz  $\pm$  0.01% guard tone 7 dB below the nominal transmit power. INFO sequences are transmitted by the call modem with a carrier frequency of 1200 Hz  $\pm$  0.01% at the nominal transmit power.

The transmitted line signal shall have a magnitude spectrum within the limits shown in Figure 13.

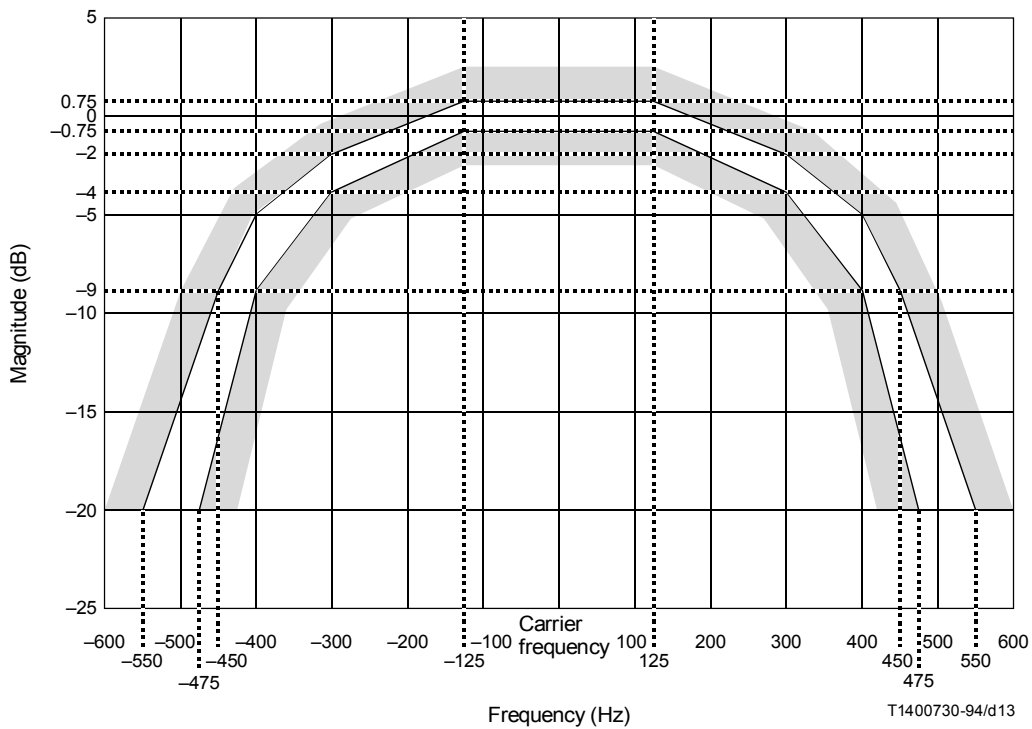


FIGURE 13/V.34  
**Transmit spectrum template for INFO modulation**

NOTE – It is highly desirable to design linear phase transmitter channel separation and shaping filters since there are no provisions for adaptive equalizer training.

### 10.1.2.3.2 CRC Generator

The CRC is formed by passing all of the information bits in a sequence, except the frame sync bits, the start bits, and the fill bits, through the CRC generator described in Figure 14.

The CRC is calculated by dividing a binary sequence by the specified polynomial. The polynomial used to compute the CRC is:  $x^{16} + x^{12} + x^5 + 1$ . The CRC is calculated as follows:

- 1) load the shift register in the CRC generator with all ones;
- 2) shift in the binary sequence;
- 3) output the contents of the shift register, starting with bit 0 in Figure 14. Bit 0 of the CRC is the LSB.

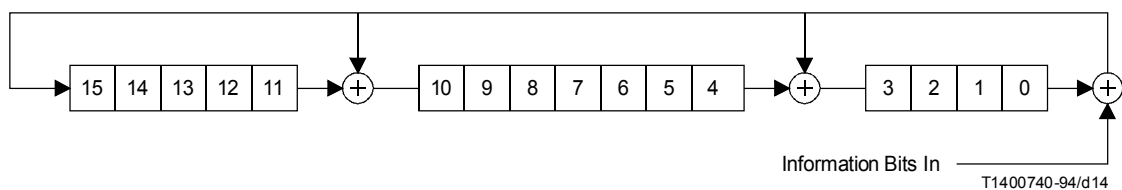


FIGURE 14/V.34  
**CRC Generator**

### 10.1.2.3.3 INFO0 Information Bits

Table 14 defines the bits in the INFO0 sequences. Bit 0 is transmitted first.

TABLE 14/V.34

#### Definition of bits in INFO0 sequences

INFO0 Bit(s) LSB:MSB	Definition
0:3	Fill bits: 1111
4:11	Frame Sync: 01110010, where the left-most bit is first in time.
12	Set to 1 indicates symbol rate 2743 is supported.
13	Set to 1 indicates symbol rate 2800 is supported.
14	Set to 1 indicates symbol rate 3429 is supported.
15	Set to 1 indicates the ability to transmit at the low carrier frequency with a symbol rate of 3000.
16	Set to 1 indicates the ability to transmit at the high carrier frequency with a symbol rate of 3000.
17	Set to 1 indicates the ability to transmit at the low carrier frequency with a symbol rate of 3200.
18	Set to 1 indicates the ability to transmit at the high carrier frequency with a symbol rate of 3200.
19	Set to 0 indicates that transmission with a symbol rate of 3429 is disallowed.
20	Set to 1 indicates the ability to reduce transmit power to a value lower than the nominal setting.
21:23	Maximum allowed difference in symbol rates in the transmit and receive directions. With the symbol rates labelled in increasing order, where 0 represents 2400 and 5 represents 3429, an integer between 0 and 5 indicates the difference allowed in number of symbol rate steps.
24	Set to 1 in an INFO0 sequence transmitted from a CME modem.
25	Reserved for ITU: This bit is set to 0 by the transmitting modem and is not interpreted by the receiving modem.
26:27	Transmit clock source: 0 = internal, 1 = synchronized to receive timing, 2 = external, 3 = reserved for ITU.
28	Set to 1 to acknowledge correct reception of an INFO0 frame during error recovery.
29:44	CRC
45:48	Fill bits: 1111
<p>NOTES</p> <p>1 Bits 12 through 14 are used to indicate the modem's capabilities and/or configuration. The values of bits 15 through 20 depend upon regulatory requirements and apply only to the modem's transmitter.</p> <p>2 Bit 24 may be used in conjunction with the GSTN Access Category octet defined in Recommendation V.8 to determine the optimum parameters for the signal convertors and error-control functions in the call and answer modem and any intervening CME.</p>	



#### 10.1.2.3.4 INFO1c Information Bits

Table 15 defines the bits in the INFO1c sequence. Bit 0 is transmitted first.

TABLE 15/V.34

#### Definition of bits in the INFO1c sequence

INFO1c Bit(s) LSB:MSB	Definition
0:3	Fill bits: 1111
4:11	Frame Sync: 01110010, where the left-most bit is first in time.
12:14	Minimum power reduction to be implemented by the answer modem transmitter. An integer between 0 and 7 gives the recommended power reduction in dB. These bits shall indicate 0 if INFO0a indicated that the answer modem transmitter cannot reduce its power.
15:17	Additional power reduction, below that indicated by bits 12-14, which can be tolerated by the call modem receiver. An integer between 0 and 7 gives the additional power reduction in dB. These bits shall indicate 0 if INFO0a indicated that the answer modem transmitter cannot reduce its power.
18:24	Length of MD to be transmitted by the call modem during Phase 3. An integer between 0 and 127 gives the length of this sequence in 35 ms increments.
25	Set to 1 indicates that the high carrier frequency is to be used in transmitting from the answer modem to the call modem for a symbol rate of 2400.
26:29	Pre-emphasis filter to be used in transmitting from the answer modem to the call modem for a symbol rate of 2400. These bits form an integer between 0 and 10 which represents the pre-emphasis filter index (see Tables 3 and 4).
30:33	Projected maximum data rate for a symbol rate of 2400. These bits form an integer between 0 and 12 which gives the projected data rate as a multiple of 2400 bits/s. A 0 indicates the symbol rate can not be used.
34:42	Probing results pertaining to a final symbol rate selection of 2743 symbols per second. The coding of these 9 bits is identical to that for bits 25-33.
43:51	Probing results pertaining to a final symbol rate selection of 2800 symbols per second. The coding of these 9 bits is identical to that for bits 25-33.
52:60	Probing results pertaining to a final symbol rate selection of 3000 symbols per second. The coding of these 9 bits is identical to that for bits 25-33. Information in this field shall be consistent with the answer modem capabilities indicated in INFO0a.
61:69	Probing results pertaining to a final symbol rate selection of 3200 symbols per second. The coding of these 9 bits is identical to that for bits 25-33. Information in this field shall be consistent with the answer modem capabilities indicated in INFO0a.
70:78	Probing results pertaining to a final symbol rate selection of 3429 symbols per second. The coding of these 9 bits is identical to that for bits 25-33. Information in this field shall be consistent with the answer modem capabilities indicated in INFO0a.
79:88	Frequency offset of the probing tones as measured by the call modem receiver. The frequency offset number shall be the difference between the nominal 1050 Hz line probing signal tone received and the 1050 Hz tone transmitted, $f(\text{received}) - f(\text{transmitted})$ . A two's complement signed integer between -511 and 511 gives the measured offset in 0.02 Hz increments. Bit 88 is the sign bit of this integer. The frequency offset measurement shall be accurate to 0.25 Hz. Under conditions where this accuracy can not be achieved, the integer shall be set to -512 indicating that this field is to be ignored.
89:104	CRC
105:108	Fill bits: 1111

### 10.1.2.3.5 INFO1a Information Bits

Table 16 defines the bits in the INFO1a sequence. Bit 0 is transmitted first.

TABLE 16/V.34

#### Definition of bits in the INFO1a sequence

INFO1a Bits LSB:MSB	Definition
0:3	Fill bits: 1111
4:11	Frame Sync: 01110010, where the left-most bit is first in time.
12:14	Minimum power reduction to be implemented by the call modem transmitter. An integer between 0 and 7 gives the recommended power reduction in dB. These bits shall indicate 0 if INFO0c indicated that the call modem transmitter cannot reduce its power.
15:17	Additional power reduction, below that indicated by bits 12:14, which can be tolerated by the answer modem receiver. An integer between 0 and 7 gives the additional power reduction in dB. These bits shall indicate 0 if INFO0c indicated that the call modem transmitter cannot reduce its power.
18:24	Length of MD to be transmitted by the answer modem during Phase 3. An integer between 0 and 127 gives the length of this sequence in 35 ms increments.
25	Set to 1 indicates that the high carrier frequency is to be used in transmitting from the call modem to the answer modem. This shall be consistent with the capabilities of the call modem indicated in INFO0c.
26:29	Pre-emphasis filter to be used in transmitting from the call modem to the answer modem. These bits form an integer between 0 and 10 which represents the pre-emphasis filter index (see Tables 3 and 4).
30:33	Projected maximum data rate for the selected symbol rate from the call modem to the answer modem. These bits form an integer between 0 and 12 which gives the projected data rate as a multiple of 2400 bits/s.
34:36	Symbol rate to be used in transmitting from the answer modem to the call modem. An integer between 0 and 5 gives the symbol rate, where 0 represents 2400 and a 5 represents 3429. The symbol rate selected shall be consistent with information in INFO1c and consistent with the symbol rate asymmetry allowed as indicated in INFO0a and INFO0c. The carrier frequency and pre-emphasis filter to be used are those already indicated for this symbol rate in INFO1c.
37:39	Symbol rate to be used in transmitting from the call modem to the answer modem. An integer between 0 and 5 gives the symbol rate, where 0 represents 2400 and a 5 represents 3429. The symbol rate selected shall be consistent with the capabilities indicated in INFO0a and consistent with the symbol rate asymmetry allowed as indicated in INFO0a and INFO0c.
40:49	Frequency offset of the probing tones as measured by the answer modem receiver. The frequency offset number shall be the difference between the nominal 1050 Hz line probing signal tone received and the 1050 Hz tone transmitted, $f(\text{received}) - f(\text{transmitted})$ . A two's complement signed integer between -511 and 511 gives the measured offset in 0.02 Hz increments. Bit 49 is the sign bit of this integer. The frequency offset measurement shall be accurate to 0.25 Hz. Under conditions where this accuracy can not be achieved, the integer shall be set to -512 indicating that this field is to be ignored.
50:65	CRC
66:69	Fill bits: 1111

### 10.1.2.3.6 INFOMARKS

INFOMARKSc is transmitted by the call modem by applying binary ones to the DPSK modulator described in 10.1.2.3.1.

INFOMARKSa is transmitted by the answer modem by applying binary ones to the DPSK modulator described in 10.1.2.3.1.

### 10.1.2.4 Line Probing Signals

Two line probing signals, L1 and L2, are used to analyse channel characteristics. L1 is a periodic signal with a repetition rate of  $150 \pm 0.01\%$  Hz which consists of a set of tones (cosines) spaced 150 Hz apart at frequencies from 150 Hz to 3750 Hz. Tones at 900 Hz, 1200 Hz, 1800 Hz, and 2400 Hz are omitted. The initial phase of each cosine is given in Table 17. L1 is transmitted for 160 ms (24 repetitions) at 6 dB above the nominal power level. L2 is the same as L1 but is transmitted for no longer than 550 ms plus a round-trip delay at the nominal power level.

NOTE – The probing tones should be generated with enough accuracy so as not to appreciably affect the channel distortion and noise measurements in the remote receiver.

TABLE 17/V.34

#### Probing tones

$\cos(2\pi ft + \varphi)$	
f (Hz)	$\varphi$ (degrees)
150	0
300	180
450	0
600	0
750	0
1050	0
1350	0
1500	0
1650	180
1950	0
2100	0
2250	180
2550	0
2700	180
2850	0
3000	180
3150	180
3300	180
3450	180
3600	0
3750	0

### 10.1.3 Phases 3 and 4

All signals in Phases 3 and 4 are transmitted using the selected symbol rate, carrier frequency, pre-emphasis filter and power level.

NOTE – The transmitter should compensate for modulation factors including the effects of non-linear encoding and precoding so that the average signal power transmitted in Phases 3 and 4 is maintained in segment B1 and the subsequent data mode.

### 10.1.3.1 B1

Sequence B1 consists of one data frame of scrambled ones transmitted at the end of start-up using the selected data mode modulation parameters. Bit inversions for superframe synchronization are inserted as if the data frame were the last data frame in a superframe. Prior to transmission of B1, the scrambler, trellis encoder, differential encoder, and the precoding filter tap delay line are initialized to zeroes.

### 10.1.3.2 E

E is a 20-bit sequence of binary ones used to signal the end of MP. It is mapped into a sequence of symbols chosen from the 4 or 16-point 2D constellation depending on the signal J. The 4-point E sequence is generated as described in 10.1.3.3. The 16-point E sequence is generated as described in 10.1.3.9.

### 10.1.3.3 J

Sequence J consists of a whole number of repetitions of one of the two 16-bit patterns shown in Table 18. J indicates constellation size used by the remote modem for transmitting sequences TRN, MP, MP', and E during Phase 4 training. J is a sequence of symbols generated by applying input bits to the scrambler defined in clause 7. Two scrambled bits,  $I_{1n}$  and  $I_{2n}$ , are transmitted every 2D symbol interval, where  $I_{1n}$  is the first bit in time. Integers  $I_n = 2 \cdot I_{2n} + I_{1n}$  are differentially encoded to generate the integer  $Z_n$  as the modulo 4 sum of  $I_n$  and  $Z_{n-1}$ . The transmitted points are obtained by rotating point 0 from the quarter-superconstellation of Figure 5 clockwise by  $Z_n \cdot 90$  degrees. The differential encoder shall be initialized using the final symbol of the transmitted TRN sequence.

TABLE 18/V.34

**Definition of bits in J sequence**

Constellation Size	Bits 0-15
4-point	0000100110010001, where the left-most bit is first in time
16-point	0000110110010001, where the left-most bit is first in time

### 10.1.3.4 J'

Sequence J' is used to terminate J and is transmitted only once. J' is generated as described in 10.1.3.3 except that the 16-bit pattern shown in Table 19 is used.

TABLE 19/V.34

**Definition of bits in J' sequence**

Bits J'	Definition
0-15	1111100110010001, where the left-most bit is first in time

### 10.1.3.5 MD

MD is an optional Manufacturer-Defined signal used by a transmitting modem to train its echo canceller if this can not be accommodated by the TRN signal in Phase 3. The length of the MD signal is indicated in the transmitting modem's INFO1 sequence. If the signal is not present, the MD length indication will be 0.

### 10.1.3.6 PP

Signal PP consists of six periods of a 48-symbol sequence and is used by the remote modem for training its equalizer. PP(i),  $i = 0, 1, \dots, 287$ , is defined as follows:

$$\text{Set } i = 4k + I$$

where

$$k = 0, 1, 2, \dots, 71 \text{ and}$$

$$I = 0, 1, 2, 3 \text{ for each } k$$

then:

$$\begin{aligned} \text{PP}(i) &= e^{j\pi(kI+4)/6} && \text{if } k \text{ modulo } 3 = 1 \\ &= e^{j\pi kI/6} && \text{otherwise} \end{aligned} \quad (10-1/V.34)$$

PP(0) is transmitted first.

### 10.1.3.7 S

Signal S is transmitted by alternating between point 0 of the quarter-superconstellation of Figure 5 and the same point rotated counterclockwise by 90 degrees. Signal  $\bar{S}$  is transmitted by alternating between point 0 rotated by 180 degrees and point 0 rotated counterclockwise by 270 degrees. The signal S shall end with the transmission of point 0 rotated counterclockwise by 90 degrees. Signal  $\bar{S}$  shall begin with the transmission of point 0 rotated by 180 degrees.

### 10.1.3.8 TRN

Signal TRN is a sequence of symbols generated by applying binary ones to the input of the scrambler described in clause 7. The scrambled bits are mapped to a 4 or 16-point 2D constellation depending on the signal J.

The 4-point TRN signal is generated by using two scrambled bits,  $I_{1n}$  and  $I_{2n}$ , which are transmitted every 2D symbol interval, where  $I_{1n}$  is the first bit in time. The transmitted points are obtained by rotating point 0 from the quarter-superconstellation of Figure 5 clockwise by  $I_n \cdot 90$  degrees, where  $I_n = 2 \cdot I_{2n} + I_{1n}$ .

The 16-point TRN signal is generated by using four scrambled bits,  $I_{1n}$ ,  $I_{2n}$ ,  $Q_{1n}$ , and  $Q_{2n}$ , which are transmitted every 2D symbol interval and  $I_{1n}$  is the first bit in time. The transmitted points are obtained by using integer  $2 \cdot Q_{2n} + Q_{1n}$  to select a point from the quarter-superconstellation of Figure 5 and then rotating that point clockwise by  $I_n \cdot 90$  degrees, where  $I_n = 2 \cdot I_{2n} + I_{1n}$ .

The scrambler is initialized to zero prior to transmission of the TRN signal.

### 10.1.3.9 Modulation Parameter (MP) Sequences

Modulation Parameter (MP) Sequences are exchanged between modems during start-up and rate renegotiations and contain modulation parameters to be used for data mode transmission.

Two types of MP sequences are used in duplex mode. Type 0 contains maximum call-to-answer-modem data signalling rate, maximum answer-to-call modem data signalling rate, amount of constellation shaping, trellis encoder choice, non-linear encoding parameter, auxiliary channel enable, data signalling rate capability mask, and 16 bits reserved for future use. Type 1 is the same as Type 0 with the addition of fields for precoding coefficients. The bit fields for the two types of MP sequences used in duplex mode are defined in Tables 20 and 21. The CRC generator used is described in 10.1.2.3.2.

An MP sequence with the acknowledge bit set to 1 is denoted by MP'.

MP sequences consist of symbols chosen from a 4 or 16-point constellation depending upon the signal J. The 4-point MP sequence is generated as described in 10.1.3.3.

The 16-point MP sequence is generated by using four scrambled bits,  $I_{1n}$ ,  $I_{2n}$ ,  $Q_{1n}$ , and  $Q_{2n}$ , which are transmitted every 2D symbol interval where  $I_{1n}$  is the first bit in time. Integer  $2 \cdot Q_{2n} + Q_{1n}$  selects the point from the quarter-superconstellation of Figure 5. Integers  $I_n = 2 \cdot I_{2n} + I_{1n}$  are differentially encoded to generate integer  $Z_n$  as the modulo 4 sum of  $I_n$  and  $Z_{n-1}$ . Finally, the transmitted point is obtained by clockwise rotation of the selected point by  $Z_n \cdot 90$  degrees. The differential encoder shall be initialized using the final symbol of the transmitted TRN sequence.

Either type (Type 0 or Type 1) of MP sequence may be sent during start-up, retrain, or rate renegotiation. Prior to receiving the first MP sequence in Phase 4, the precoding coefficients are initialized to 0. If a Type 0 sequence is received, the precoding coefficients are unaffected.

TABLE 20/V.34

**Definition of bits in MP sequence Type 0**

MP Bits LSB:MSB	Definition
0:16	Frame Sync: 1111111111111111
17	Start bit: 0
18	Type: 0
19	Reserved for ITU: This bit is set to 0 by the transmitting modem and is not interpreted by the receiving modem.
20:23	Maximum call modem to answer modem data signalling rate. Data rate = $N \cdot 2400$ where N is a four-bit integer between 1 and 12.
24:27	Maximum answer modem to call modem data signalling rate. Data rate = $N \cdot 2400$ where N is a four-bit integer between 1 and 12.
28	Auxiliary channel select bit. Set to 1 if modem is capable of supporting and enables auxiliary channel. Auxiliary channel is used only if both modems set this bit to 1.
29:30	Trellis encoder select bits: 0 = 16 state, 1 = 32 state, 2 = 64 state, 3 = reserved for ITU. Receiver requires remote-end transmitter to use selected trellis encoder.
31	Non-linear encoder parameter select bit for the remote-end transmitter. 0: $\Theta = 0$ , 1: $\Theta = 0.3125$
32	Constellation shaping select bit for the remote-end transmitter. 0: minimum, 1: expanded (see Table 10).
33	Acknowledge bit. 0 = modem has not received MP from far end. 1 = received MP from far end.
34	Start bit: 0
35:49	Data signalling rate capability mask. Bit 35:2400; bit 36:4800; bit 37:7200; ...; bit 46:28 800; bits 47, 48, 49: reserved for ITU. (These bits are set to 0 by the transmitting modem and are not interpreted by the receiving modem.) Bits set to 1 indicate data signalling rates supported and enabled in both transmitter and receiver of modem.
50	Asymmetric data signalling rate enable. Set to 1 indicates modem capable of asymmetric data signalling rates.
51	Start bit: 0
52:67	Reserved for ITU: These bits are set to 0 by the transmitting modem and are not interpreted by the receiving modem.
68	Start bit: 0
69:84	CRC
85:87	Fill bits: 000

TABLE 21/V.34

**Definition of bits in MP sequence Type 1**

MP Bits LSB:MSB	Definition
0:16	Frame Sync: 1111111111111111
17	Start bit: 0
18	Type: 1
19	Reserved for ITU: This bit is set to 0 by the transmitting modem and is not interpreted by the receiving modem.
20:23	Maximum call modem to answer modem data signalling rate. Data rate = $N \cdot 2400$ where N is a four-bit integer between 1 and 12.
24:27	Maximum answer modem to call modem data signalling rate. Data rate = $N \cdot 2400$ where N is a four-bit integer between 1 and 12.
28	Auxiliary channel select bit. Set to 1 if modem is capable of supporting and enables auxiliary channel. Auxiliary channel is used only if both modems set this bit to 1.
29:30	Trellis encoder select bits: 0 = 16 state, 1 = 32 state, 2 = 64 state, 3 = reserved for ITU. Receiver requires remote-end transmitter to use selected trellis encoder.
31	Non-linear encoder parameter select bit for the remote-end transmitter. 0: $\Theta = 0$ , 1: $\Theta = 0.3125$
32	Constellation shaping select bit for the remote-end transmitter. 0: minimum, 1: expanded (see Table 10).
33	Acknowledge bit. 0 = modem has not received MP from far end. 1 = received MP from far end.
34	Start bit: 0
35:49	Data signalling rate capability mask. Bit 35:2400; bit 36:4800; bit 37:7200; ...; bit 46:28 800; bits 47, 48, 49: reserved for ITU. (These bits are set to 0 by the transmitting modem and are not interpreted by the receiving modem.) Bits set to 1 indicate data signalling rates supported and enabled in both transmitter and receiver of modem.
50	Asymmetric data signalling rate enable. Set to 1 indicates modem capable of asymmetric data signalling rates.
51	Start bit: 0
52:67	Precoding coefficient h(1) real.
68	Start bit: 0
69:84	Precoding coefficient h(1) imaginary.
85	Start bit: 0
86:101	Precoding coefficient h(2) real.
102	Start bit: 0
103:118	Precoding coefficient h(2) imaginary.
119	Start bit: 0
120:135	Precoding coefficient h(3) real.
136	Start bit: 0
137:152	Precoding coefficient h(3) imaginary.
153	Start bit: 0
154:169	Reserved for ITU: These bits are set to 0 by the transmitting modem and are not interpreted by the receiving modem.
170	Start bit: 0
171:186	CRC
187	Fill bit: 0

## 10.2 Signals and Sequences Used in Half-duplex Operation

### 10.2.1 Phase 1

All signals in Phase 1 shall be transmitted at the nominal transmit power level. Signals used in Phase 1 of start-up for half-duplex operation are identical to those specified in 10.1.1.

### 10.2.2 Phase 2

During Phase 2, all signals except L1 shall be transmitted at the nominal transmit power level. Signals used in Phase 2 of start-up for half-duplex operation are identical to those specified in 10.1.2, except that INFO1a and INFO1c are replaced by INFOh.

#### 10.2.2.1 INFOh Bits

Table 22 defines the bits in the INFOh sequence.

TABLE 22/V.34

Definition of bits in INFOh sequence

INFOh Bit(s) LSB:MSB	Definition
0:3	Fill bits: 1111
4:11	Frame Sync: 01110010, where the left-most bit is first in time.
12:14	Power reduction requested by the recipient modem receiver. An integer between 0 and 7 gives the requested power reduction in dB. These bits shall indicate 0 if the source modem's INFO0 indicated that the source modem transmitter cannot reduce its power.
15:21	Length of TRN to be transmitted by the source modem during Phase 3. An integer between 0 and 127 gives the length of this sequence in 35 ms increments.
22	Set to 1 indicates the high carrier frequency is to be used in data mode transmission. This must be consistent with the capabilities indicated in the source modem's INFO0.
23:26	Pre-emphasis filter to be used in transmitting from the source modem to the recipient modem. These bits form an integer between 0 and 10 which represents the pre-emphasis filter index (see Tables 3 and 4).
27:29	Symbol rate to be used for data transmission. An integer between 0 and 5 gives the symbol rate, where 0 represents 2400 and a 5 represents 3429.
30	Set to 1 indicates TRN uses a 16-point constellation, 0 indicates TRN uses a 4-point constellation.
31:46	Code CRC
47:50	Fill bits: 1111

### 10.2.3 Phase 3

All signals in Phase 3 are transmitted using the selected symbol rate, carrier frequency, preemphasis filter, and power level.

NOTE – The transmitter should compensate for modulation factors including the effects of non-linear encoding and precoding so that the average signal power transmitted in Phase 3 is maintained in segment B1 and the subsequent data mode.

#### 10.2.3.1 PP

As defined in 10.1.3.6.

#### 10.2.3.2 S

As defined in 10.1.3.7.



### 10.2.3.3 Sh

Signal Sh is transmitted by alternating between point 0 of the quarter-superconstellation of Figure 5 and the same point rotated counterclockwise by 90 degrees. Signal  $\overline{Sh}$  is transmitted by alternating between point 0 rotated by 180 degrees and point 0 rotated counterclockwise by 270 degrees. Signal Sh shall end with the transmission of point 0 rotated counterclockwise by 90 degrees. Signal  $\overline{Sh}$  shall begin with the transmission of point 0 rotated by 180 degrees. Signals Sh and  $\overline{Sh}$  are transmitted using the control channel modulation described in 10.2.4.

### 10.2.3.4 TRN

TRN is a sequence of symbols chosen from the 4 or 16-point 2D constellation depending on bit 30 of INFOh.

The 4-point TRN sequence and the 16-point TRN sequence are generated as defined in 10.1.3.8.

## 10.2.4 Control channel modulation

The control channel is transmitted using 1200 bit/s or 2400 bit/s QAM modulation using a symbol rate of  $600 \pm 0.01\%$  symbol/s. Training and synchronization signals for the control channel are transmitted at 1200 bit/s. The control channel data is scrambled using the scrambler defined in clause 7.

The answer modem shall transmit with a carrier frequency of  $2400 \pm 0.01\%$  Hz, at 1 dB below the nominal transmit power level, plus an  $1800 \pm 0.01\%$  Hz guard tone at a level 7 dB below the nominal transmit power level. The call modem shall transmit with a  $1200 \pm 0.01\%$  Hz carrier at the nominal transmit power level. The transmitted line signal shall have a magnitude spectrum within the limits shown in Figure 13.

For a data rate of 1200 bit/s, 2 bits are transmitted every symbol interval. For a data rate of 2400 bit/s, 4 bits are transmitted every symbol interval. These bits are labelled I1, I2, Q1, Q2, where I1 is the first bit in time and Q2 is the last bit in time. If only 2 bits are transmitted, the Q1 and Q2 bits are set to 0. Uncoded transmission is used.

The transmitted point is obtained by using  $2 \cdot Q2 + Q1$  to select a point from the quarter superconstellation of Figure 5. Then the point is rotated clockwise by  $Z_n \cdot 90$  degrees, where the two-bit integer  $Z_n$  is formed from the modulo 4 sum of  $2 \cdot I2_n + I1_n$  and  $Z_{n-1}$ . If differential encoding is not enabled,  $Z_n = 2 \cdot I2_n + I1_n$ .

### 10.2.4.1 AC

Signal AC is the alternating transmission of point 0 of the quarter-superconstellation of Figure 5 and point 0 rotated by 180 degrees.

### 10.2.4.2 ALT

Signal ALT is transmitted using the control channel modulation with the differential encoder enabled and consists of scrambled alternations of binary 0 and 1 at 1200 bit/s. The initial state of the scrambler shall be all zeroes.

### 10.2.4.3 E

E is a 20-bit sequence of scrambled binary ones used to signal the beginning of control channel user data. It uses the control channel modulation at 1200 bit/s with the differential encoder enabled.

### 10.2.4.4 Modulation Parameter (MPh) Sequences

Modulation Parameter (MPh) Sequences are exchanged between modems during start-up and control channel resynchronization. They contain modulation parameters to be used for data mode transmission.

MPh sequences are transmitted using the control channel modulation at 1200 bit/s with the differential encoder and scrambler enabled as described in 10.2.4.

There are two types of MP sequences used in half-duplex mode (MPh). Type 0 contains maximum source modem data signalling rate, control channel data signalling rate, trellis encoder choice, non-linear encoding parameter, amount of shaping, data signalling rate capability mask, and bits reserved for future use. Type 1 is the same as Type 0 with the addition of fields for precoding coefficients. The bit fields for the two types of MPh sequences used in half-duplex mode are defined in Tables 23 and 24.

Either type (Type 0 or Type 1) of MPh sequence may be sent. Prior to receiving the first MPh sequence during control channel start-up, the precoding coefficients are initialized to 0. If a Type 0 sequence is received, the precoding coefficients are unaffected.

TABLE 23/V.34

**Definition of bits in MPh sequence Type 0**

MPh Bits LSB:MSB	Definition
0:16	Frame Sync: 1111111111111111
17	Start bit: 0
18	Type: 0
19	Reserved for ITU: This bit is set to 0 by the transmitting modem and is not interpreted by the receiving modem.
20:23	Maximum data signalling rate. Data rate = $N \cdot 2400$ where N is a four-bit integer between 1 and 12.
24:26	Reserved for ITU: These bits are set to 0 by the transmitting modem and are not interpreted by the receiving modem.
27	Control channel data signalling rate selected for remote transmitter. 0 = 1200 bit/s, 1 = 2400 bit/s.
28	Reserved for ITU: This bit is set to 0 by the transmitting modem and is not interpreted by the receiving modem.
29:30	Trellis encoder select bits: 0 = 16 state, 1 = 32 state, 2 = 64 state, 3 = reserved for ITU. Receiver requires remote-end transmitter to use selected trellis encoder.
31	Non-linear encoder parameter select bit for the remote-end transmitter. 0: $\Theta = 0$ , 1: $\Theta = 0.3125$
32	Constellation shaping select bit for the remote-end transmitter. 0: minimum, 1: expanded (see Table 10).
33	Reserved for ITU: This bit is set to 0 by the transmitting modem and is not interpreted by the receiving modem.
34	Start bit: 0
35:49	Data signalling rate capability mask. Bit 35:2400; bit 36:4800; bit 37:7200; ...; bit 46:28 800; bits 47, 48, 49: reserved for ITU. (These bits are set to 0 by the transmitting modem and are not interpreted by the receiving modem.) Bits set to 1 indicate data signalling rates supported and enabled in both transmitter and receiver of modem.
50	Reserved for ITU: This bit is set to 0 by the transmitting modem and is not interpreted by the receiving modem.
51	Start bit: 0
52:67	Reserved for ITU: These bits are set to 0 by the transmitting modem and are not interpreted by the receiving modem.
68	Start bit: 0
69:84	CRC
85:87	Fill bits: 000

NOTE – Source modem does not use bits 29-32, and should set these bits to 0.

TABLE 24/V.34

**Definition of bits in MPh sequence Type 1**

MPh Bits LSB:MSB	Definition
0:16	Frame Sync: 1111111111111111
17	Start bit: 0
18	Type: 1
19	Reserved for ITU: This bit is set to 0 by the transmitting modem and is not interpreted by the receiving modem.
20:23	Maximum data signalling rate. Data rate = $N \cdot 2400$ where N is a four bit integer between 1 and 12.
24:26	Reserved for ITU: These bits are set to 0 by the transmitting modem and are not interpreted by the receiving modem.
27	Control channel data signalling rate selected for remote transmitter. 0 = 1200 bit/s, 1 = 2400 bit/s.
28	Reserved for ITU: This bit is set to 0 by the transmitting modem and is not interpreted by the receiving modem.
29:30	Trellis encoder select bits: 0 = 16 state, 1 = 32 state, 2 = 64 state, 3 = reserved for ITU. Receiver requires remote-end transmitter to use selected trellis encoder.
31	Non-linear encoder parameter select bit for the remote-end transmitter. 0: $\Theta = 0$ , 1: $\Theta = 0.3125$
32	Constellation shaping select bit for the remote-end transmitter. 0: minimum, 1: expanded (see Table 10).
33	Reserved for ITU: This bit is set to 0 by the transmitting modem and is not interpreted by the receiving modem.
34	Start bit: 0
35:49	Data signalling rate capability mask. Bit 35:2400; bit 36:4800; bit 37:7200; ...; bit 46:28 800; bits 47, 48, 49: reserved for ITU. (These bits are set to 0 by the transmitting modem and are not interpreted by the receiving modem.) Bits set to 1 indicate data signalling rates supported and enabled in both transmitter and receiver of modem.
50	Reserved for ITU: This bit is set to 0 by the transmitting modem and is not interpreted by the receiving modem.
51	Start bit: 0
52:67	Precoding coefficient h(1) real.
68	Start bit: 0
69:84	Precoding coefficient h(1) imaginary.
85	Start bit: 0
86:101	Precoding coefficient h(2) real.
102	Start bit: 0
103:118	Precoding coefficient h(2) imaginary.
119	Start bit: 0
120:135	Precoding coefficient h(3) real.
136	Start bit: 0
137:152	Precoding coefficient h(3) imaginary.
153	Start bit: 0
154:169	Reserved for ITU: These bits are set to 0 by the transmitting modem and are not interpreted by the receiving modem.
170	Start bit: 0
171:186	CRC
187	Fill bit: 0
NOTE – Source modem does not use bits 29-32, and should set these bits to 0.	

### 10.2.4.5 PPh

PPh consists of four periods of an 8-symbol sequence and is used in half-duplex mode for control channel receiver initialization and resynchronization. The sequence PPh(i),  $i = 0, 1, \dots, 31$ , is defined as follows:

$$\text{Set } i = 2k + I,$$

where

$$k = 0, 1, 2, \dots, 15 \text{ and}$$

$$I = 0, 1 \text{ for each } k$$

then:

$$\text{PPh}(i) = e^{j\pi \left[ \frac{2k(k-1)+1}{4} \right]} \quad (10-2/V.34)$$

PPh(0) is transmitted first.

## 11 Duplex Operating Procedures

There are two duplex modes of operation defined, GSTN and two-wire leased line. For GSTN operation, the modem shall proceed according to 11.1. For two-wire leased line operation, the modem shall proceed according to 11.8.

### 11.1 Phase 1 – Network Interaction

#### 11.1.1 Call Modem

11.1.1.1 Initially, the call modem shall condition its receiver to detect either signal ANS or ANS<sub>am</sub> as defined in Recommendation V.8, and the modem shall transmit CI, CT or CNG as defined in Recommendation V.8.

If signal ANS<sub>am</sub> is detected, the modem shall transmit silence for the period  $T_e$  as specified in Recommendation V.8. The modem shall then condition its receiver to detect JM and sends CM with the appropriate bits set in the modulation modes category to indicate that V.34 operation is desired. When a minimum of two identical JM sequences have been received, the modem shall complete the current CM octet and send CJ. After sending CJ, the modem shall transmit silence for  $75 \pm 5$  ms and proceed with Phase 2. This procedure is shown in Figure 15.

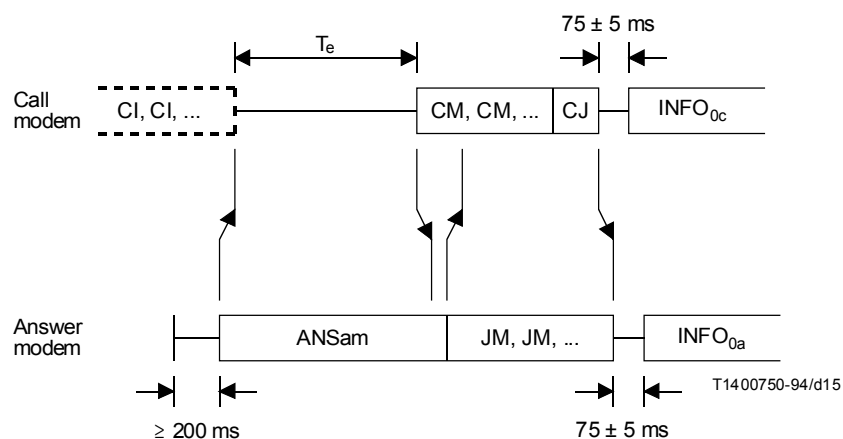


FIGURE 15/V.34

Phase 1 – Network interaction with a CM/JM exchange

**11.1.1.2** If the JM modulation mode bits indicate V.34 duplex operation, the modem shall proceed in accordance with 11.2. If half-duplex V.34 operation is indicated, the modem shall proceed in accordance with 12.2. If V.34 operation is not indicated, the modem shall proceed in accordance with Recommendation V.8.

**11.1.1.3** If signal ANS (rather than ANSam) is detected, the modem shall proceed in accordance with Annex A/V.32 *bis*, Recommendation T.30, or other appropriate Recommendation.

**11.1.2 Answer Modem**

**11.1.2.1** Upon connection to line, the modem shall initially remain silent for a minimum of 200 ms and then transmit signal ANSam according to the procedure in Recommendation V.8. If duplex operation is intended, this signal shall include phase reversals as specified in Recommendation V.8. If half-duplex operation is intended, phase reversals are optional. The modem shall condition its receiver to detect CM and, possibly, calling modem responses from other appropriate Recommendations.

**11.1.2.2** If a minimum of 2 identical CM sequences are received and the modulation mode bits indicate V.34 operation, the modem shall send JM and condition its receiver to detect CJ. After receiving all 3 octets of CJ, the modem shall transmit silence for  $75 \pm 5$  ms, and proceed with Phase 2 of start-up. This procedure is shown in Figure 15.

**11.1.2.3** If the JM modulation mode bits indicate V.34 duplex operation, the modem shall proceed in accordance with 11.2. If half-duplex V.34 operation is indicated, the modem shall proceed in accordance with 12.2. If V.34 operation is not indicated, the modem shall proceed in accordance with Recommendation V.8.

**11.1.2.4** If a call modem response from some other appropriate Recommendation is detected, the modem shall proceed in accordance with the appropriate Recommendation.

**11.1.2.5** If neither CM nor a suitable call modem response is detected for the allowed ANSam transmission period as specified in Recommendation V.8, the modem shall transmit silence for  $75 \pm 5$  ms, and then proceed in accordance with Annex A/V.32 *bis*, Recommendation T.30, or other appropriate Recommendation.

**11.2 Phase 2 – Probing/Ranging**

Channel probing and ranging are performed in Phase 2 of the start-up procedure. The description below details both error-free and recovery procedures in the call and answer modems (see Figures 16, 17 and 18). Capabilities information and modulation parameters are sent in the INFO sequences detailed in 10.1.2.3.

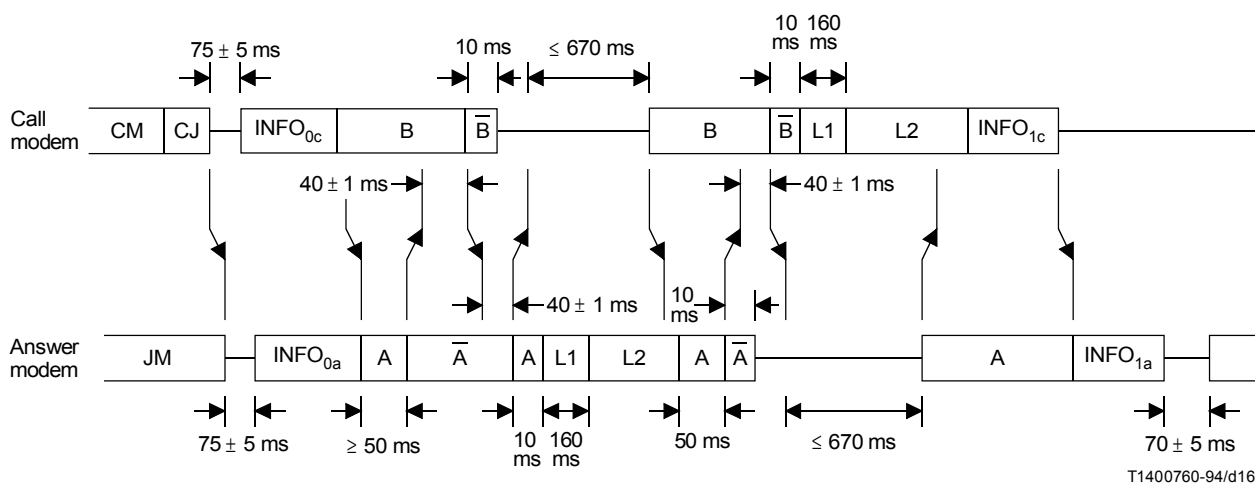


FIGURE 16/V.34  
Phase 2 – Probing/Ranging

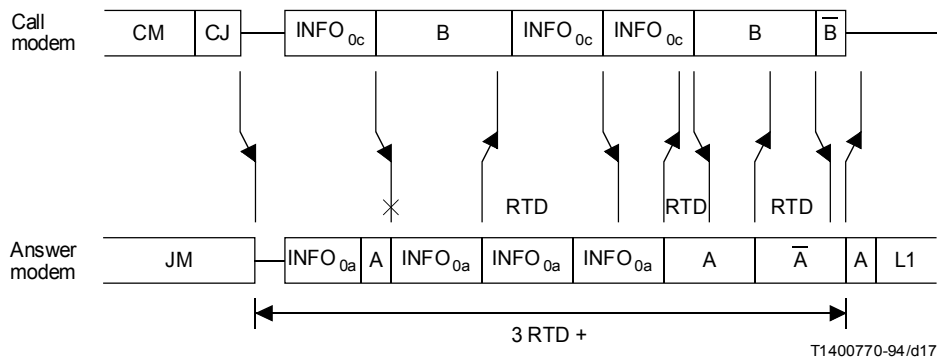


FIGURE 17/V.34

Answer modem does not correctly receive INFO<sub>0c</sub>

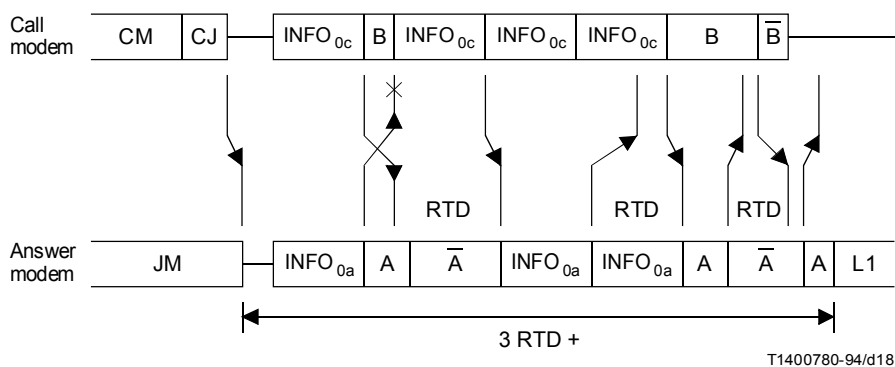


FIGURE 18/V.34

Call modem does not correctly receive INFO<sub>0a</sub>

## 11.2.1 Error Free Procedures

### 11.2.1.1 Call Modem

**11.2.1.1.1** During the  $75 \pm 5$  ms silent period ending Phase 1, the call modem shall condition its receiver to receive INFO<sub>0a</sub> and detect Tone A. After the  $75 \pm 5$  ms silent period, the call modem shall send INFO<sub>0c</sub> with bit 28 set to 0, followed by Tone B.

**11.2.1.1.2** After receiving INFO<sub>0a</sub>, the call modem shall condition its receiver to detect Tone A and the subsequent Tone A phase reversal.

**11.2.1.1.3** After detecting the Tone A phase reversal, the call modem shall transmit a Tone B phase reversal. The Tone B phase reversal shall be delayed so that the time duration between receiving the Tone A phase reversal at the line terminals and the appearance of the Tone B phase reversal at the line terminals is  $40 \pm 1$  ms. Tone B shall be transmitted for another 10 ms after the phase reversal. The modem shall then transmit silence and condition its receiver to detect a second Tone A phase reversal.

**11.2.1.1.4** After detecting the second Tone A phase reversal, the call modem can calculate the round-trip delay. The round-trip delay estimate, RTDEC, is the time interval between the appearance of the Tone B phase reversal at the modem line terminals and receiving the second Tone A phase reversal at the line terminals minus 40 ms. The modem shall then condition its receiver to receive the probing signals L1 and L2.

**11.2.1.1.5** The call modem shall receive signal L1 for its 160 ms duration. The call modem may then receive signal L2 for a period of time not to exceed 500 ms. The call modem shall then transmit Tone B and condition its receiver to detect Tone A and the subsequent Tone A phase reversal.

**11.2.1.1.6** After detecting Tone A and the subsequent Tone A phase reversal, the call modem shall transmit a Tone B phase reversal. The Tone B phase reversal shall be delayed so that the time duration between receiving the Tone A phase reversal at the line terminals and the appearance of the Tone B phase reversal at the line terminals is  $40 \pm 1$  ms. Tone B shall be transmitted for an additional 10 ms after the phase reversal. The modem shall then transmit signal L1 followed by signal L2 and condition its receiver to detect Tone A.

**11.2.1.1.7** After the call modem detects Tone A and has received the local echo of L2 for a period of time not to exceed 550 ms plus a round-trip delay, the modem shall send INFO1c.

**11.2.1.1.8** After sending INFO1c, the call modem shall transmit silence and condition its receiver to receive INFO1a. After receiving INFO1a, the modem shall proceed to Phase 3 of the start-up procedure.

## **11.2.1.2 Answer Modem**

**11.2.1.2.1** During the  $75 \pm 5$  ms silent period ending Phase 1, the answer modem shall condition its receiver to receive INFO0c and detect Tone B. After the  $75 \pm 5$  ms silent period the answer modem shall send INFO0a with bit 28 set to 0, followed by Tone A.

**11.2.1.2.2** After receiving INFO0c, the modem shall condition its receiver to detect Tone B and receive INFO0c.

**11.2.1.2.3** After Tone B is detected and Tone A has been transmitted for at least 50 ms, the answer modem shall transmit a Tone A phase reversal, and condition its receiver to detect a Tone B phase reversal.

**11.2.1.2.4** After detecting the Tone B phase reversal, the answer modem can calculate the round-trip delay. The round-trip delay estimate, RTDEa, is the time interval between sending the Tone A phase reversal at the line terminals and receiving the Tone B phase reversal at the line terminals minus 40 ms.

**11.2.1.2.5** The answer modem shall then transmit a Tone A phase reversal. The Tone A phase reversal shall be delayed so that the time duration between receiving the Tone B phase reversal (as in 11.2.1.2.4) at the line terminals and the appearance of the Tone A phase reversal at the line terminals is  $40 \pm 1$  ms. Tone A shall be transmitted for 10 ms after the phase reversal. Then the modem shall transmit signal L1 followed by signal L2 and condition its receiver to detect Tone B.

**11.2.1.2.6** When Tone B is detected and the answer modem has received the local echo of L2 for a period of time not to exceed 550 ms plus a round-trip delay, the answer modem shall transmit Tone A for 50 ms followed by a Tone A phase reversal. Tone A shall be transmitted for an additional 10 ms after the phase reversal. Then the modem shall transmit silence and condition its receiver to detect a Tone B phase reversal.

**11.2.1.2.7** After detecting the Tone B phase reversal, the modem shall condition its receiver to receive the probing signals L1 and L2.

**11.2.1.2.8** The answer modem shall receive signal L1 for its 160 ms duration. The answer modem may then receive signal L2 for a period of time not to exceed 500 ms. The answer modem shall then transmit Tone A and condition its receiver to receive INFO1c.

**11.2.1.2.9** After receiving INFO1c, the modem shall send INFO1a. After sending INFO1a, the modem shall proceed to Phase 3 of the start-up procedure.

## **11.2.2 Recovery Mechanisms**

### **11.2.2.1 Call Modem**

**11.2.2.1.1** If, in 11.2.1.1.2 or 11.2.1.1.3, the call modem detects Tone A before receiving INFO0a, or if it receives repeated INFO0a sequences, the call modem shall repeatedly send INFO0c sequences.

If the call modem receives INFO0a with bit 28 set to 1, it shall condition its receiver to detect Tone A and the subsequent Tone A phase reversal, complete sending the current INFO0c sequence, and then transmit Tone B. Alternatively, if the call modem detects Tone A and has received INFO0a, it shall condition its receiver to detect a Tone A phase reversal, complete sending the current INFO0c sequence, and transmit Tone B. In both cases, the call modem shall then proceed according to 11.2.1.1.3.

**11.2.2.1.2** If, in 11.2.1.1.3, the call modem does not detect the Tone A phase reversal, the call modem shall continue transmitting Tone B until it does detect a Tone A phase reversal.

**11.2.2.1.3** If, in 11.2.1.1.4, the call modem does not detect a Tone A phase reversal within 2000 ms from the phase reversal detected in 11.2.1.1.3, the call modem shall transmit silence and condition its receiver to detect Tone A. After detecting Tone A, the call modem shall transmit Tone B and condition its receiver to detect a Tone A phase reversal and proceed in accordance with 11.2.1.1.3.

**11.2.2.1.4** If, in 11.2.1.1.6, the call modem does not detect the Tone A phase reversal within 900 ms plus a round-trip delay from the phase reversal detected in 11.2.1.1.4, the modem waits 40 ms, then transmits a Tone B phase reversal. Tone B shall be transmitted for an additional 10 ms after the phase reversal. The modem shall then transmit signal L1 followed by signal L2, condition its receiver to detect Tone A, and proceed in accordance with 11.2.1.1.7.

**11.2.2.1.5** If, in 11.2.1.1.7, the call modem does not detect Tone A within 650 ms plus a round-trip delay from the beginning of L2, the call modem shall initiate a retrain according to 11.5.1.1.

**11.2.2.1.6** If, in 11.2.1.1.8, the call modem does not receive INFO1a within 700 ms plus a round-trip delay from the end of INFO1c transmission, the call modem shall condition its receiver to detect either Tone A or INFOMARKSa. Upon detection of INFOMARKSa, the call modem shall either initiate a retrain according to 11.5.1.1 or send INFO1c and proceed in accordance with 11.2.1.1.8. Upon detection of Tone A, the call modem shall respond to a retrain and proceed according to 11.5.1.2.

NOTE – The call modem shall set bit 28 of sequence INFO0c to 1 after correctly receiving INFO0a.

## **11.2.2.2 Answer Modem**

**11.2.2.2.1** If, in 11.2.1.2.2, 11.2.1.2.3, or 11.2.1.2.4, the answer modem detects Tone B before correctly receiving INFO0c, or if it receives repeated INFO0c sequences, the modem shall repeatedly send INFO0a.

If the answer modem receives INFO0c with bit 28 set to 1, it shall condition its receiver to detect Tone B, complete the current INFO0a, and then transmit Tone A. Alternatively, if the answer modem detects Tone B and has received INFO0c, it shall complete the current INFO0a, and transmit Tone A. In both cases, the answer modem shall then proceed according to 11.2.1.2.3.

**11.2.2.2.2** If, in 11.2.1.2.4, the answer modem does not detect the Tone B phase reversal within 2000 ms, the answer modem shall condition its receiver to detect Tone B and then proceed according to 11.2.1.2.3.

**11.2.2.2.3** If, in 11.2.1.2.6, the answer modem does not detect Tone B within 600 ms plus a round-trip delay from the beginning of L2, the modem shall condition its receiver to detect Tone B and transmit Tone A. The answer modem shall then proceed according to 11.2.1.2.3.

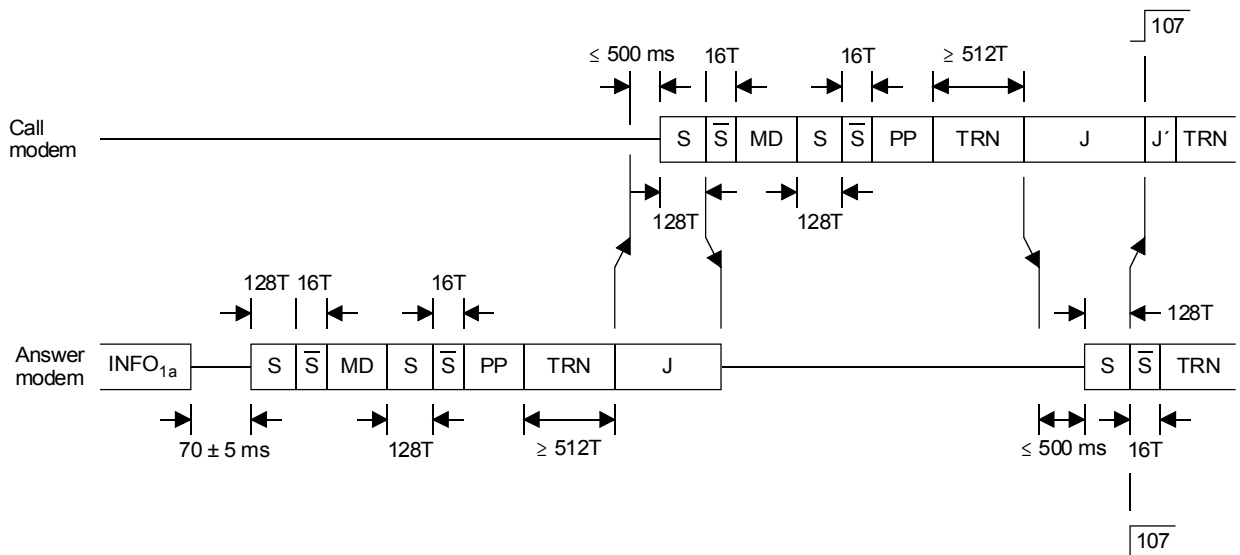
**11.2.2.2.4** If, in 11.2.1.2.9, the answer modem does not receive INFO1c within 2000 ms plus two round-trip delays from the detection of Tone B in 11.2.1.2.6, the modem shall either initiate a retrain according to 11.5.2.1 or send INFOMARKSa until it receives INFO1c or detects Tone B. If Tone B is detected, the answer modem shall proceed according to 11.5.2.2. If INFO1c is received, the answer modem shall then proceed according to 11.2.1.2.9.

NOTE – The answer modem shall set bit 28 of sequence INFO0a to 1 upon correctly receiving INFO0c.

## **11.3 Phase 3 – Equalizer and Echo Canceller Training**

Equalizer and echo canceller training are performed in Phase 3 of the duplex start-up procedure. The description below details both the error-free and recovery procedures in the call and answer modems (see Figure 19).





T1400790-94/d19

FIGURE 19/V.34

**Phase 3 – Equalizer and Echo Canceller Training**

**11.3.1 Error Free Procedure**

**11.3.1.1 Call Modem**

**11.3.1.1.1** The call modem shall be initially silent and condition its receiver to detect S and the subsequent  $\bar{S}$ . If the duration of signal MD indicated by INFO1a is zero, the modem shall proceed according to 11.3.1.1.2. Otherwise, after detecting the S-to- $\bar{S}$  transition, the modem shall wait for the duration of signal MD as indicated by INFO1a and then shall condition its receiver to receive signal S and the S-to- $\bar{S}$  transition.

**11.3.1.1.2** After detecting signal S and the S-to- $\bar{S}$  transition, the modem shall condition its receiver to begin training its equalizer using signal PP. After receiving signal PP, the modem may further refine its equalizer using the first 512T of signal TRN.

**11.3.1.1.3** After receiving the first 512T of signal TRN, the modem shall condition its receiver to receive sequence J. After receiving J, the call modem may wait for up to 500 ms and then shall transmit signal S for 128T and signal  $\bar{S}$  for 16T.

**11.3.1.1.4** If the duration of the call modem’s MD signal, as indicated in the previous INFO1c, is zero, the modem shall proceed according to 11.3.1.1.5. Otherwise, the modem shall transmit signal MD for the duration indicated in the previous INFO1c and then transmit S for 128T and signal  $\bar{S}$  for 16T.

**11.3.1.1.5** The call modem shall then transmit signal PP.

**11.3.1.1.6** After transmitting signal PP, the modem shall transmit signal TRN. Signal TRN consists of four constellation points and shall be transmitted for at least 512T. The total time from the beginning of transmission of signal MD to the end of signal TRN shall not exceed two round-trip delays plus 2000 ms.

**11.3.1.1.7** After transmitting signal TRN, the modem shall send sequence J and condition its receiver to detect signal S. After detecting signal S, the modem shall proceed to Phase 4 of the start-up.

**11.3.1.2 Answer Modem**

**11.3.1.2.1** After sending sequence INFO1a, the modem shall transmit silence for  $70 \pm 5$  ms, signal S for 128T and signal  $\bar{S}$  for 16T. If the duration of the answer modem’s MD signal, as indicated in the INFO1a, is zero, the modem shall proceed according to 11.3.1.2.2. Otherwise, the modem shall transmit signal MD for the duration indicated in INFO1a, signal S for 128T, and signal  $\bar{S}$  for 16T.

**11.3.1.2.2** The answer modem shall then transmit signal PP.

**11.3.1.2.3** After transmitting signal PP, the modem shall transmit signal TRN. Signal TRN consists of four constellation points and shall be transmitted for at least 512T. The total time from the beginning of transmission of signal MD to the end of signal TRN shall not exceed one round-trip delay plus 2000 ms.

**11.3.1.2.4** After transmitting signal TRN, the modem shall send sequence J and condition its receiver to detect signal S and the S-to- $\bar{S}$  transition. After detecting the S-to- $\bar{S}$  transition, the modem shall transmit silence. If the duration of signal MD indicated by INFO1c is zero, the modem shall proceed according to 11.3.1.2.5. Otherwise, it shall wait for the duration of signal MD as indicated by INFO1c and condition its receiver to detect signal S and the S-to- $\bar{S}$  transition. After detecting the S-to- $\bar{S}$  transition, the modem shall proceed according to 11.3.1.2.5.

**11.3.1.2.5** The modem shall condition its receiver to begin its equalizer training using signal PP. The modem may further refine its equalizer using the first 512T of signal TRN.

**11.3.1.2.6** After receiving the first 512T of signal TRN, the modem shall condition its receiver to receive sequence J. After receiving J, the answer modem may wait for up to 500 ms and shall then begin transmitting signal S. The modem shall then proceed to Phase 4 of the start-up.

## **11.3.2 Recovery Mechanisms**

### **11.3.2.1 Call Modem**

The call modem may initiate a retrain during Phase 3 according to 11.5.1.1.

**11.3.2.1.1** If, in 11.3.1.1.3, sequence J is not received within 2800 ms plus two round-trip delays from the end of INFO1c transmission, the call modem shall condition its receiver to detect Tone A or receive INFOMARKSa. If Tone A is detected, the call modem shall respond to a retrain in accordance with 11.5.1.2. If INFOMARKSa is received, the call modem shall send INFO1c and proceed in accordance with 11.2.1.1.8.

### **11.3.2.2 Answer Modem**

The answer modem may initiate a retrain during Phase 3 according to 11.5.2.1.

**11.3.2.2.1** If, in 11.3.1.2.4, the S-to- $\bar{S}$  transition is not detected within 600 ms plus a round-trip delay from the start of sequence J, the answer modem shall transmit silence for  $70 \pm 5$  ms, then send INFOMARKSa. The answer modem shall continue sending INFOMARKSa for the duration of the call modem's MD signal, then condition its receiver to detect Tone B or receive INFO1c. If Tone B is detected, the answer modem shall respond to a retrain according to 11.5.2.2. If INFO1c is received, the answer modem shall proceed in accordance with 11.2.1.2.9.

**11.3.2.2.2** If, in 11.3.1.2.6, sequence J from the call modem is not received within 2600 ms plus two round-trip delays from the end of sequence J in 11.3.1.2.4, the modem shall send INFOMARKSa, and condition its receiver to detect Tone B or receive INFO1c. If Tone B is detected, the answer modem shall respond to a retrain according to 11.5.2.2. If INFO1c is received, the answer modem shall proceed in accordance with 11.2.1.2.9.

## **11.4 Phase 4 – Final Training**

Final training of the modem in duplex mode and exchange of final data mode modulation parameters are performed in Phase 4 of the start-up procedure. The description below details both error-free and recovery procedures in the call and answer modems (see Figure 20). Data mode modulation parameters are passed in the MP sequences detailed in 10.1.3.9.

### **11.4.1 Error Free Procedure**

#### **11.4.1.1 Call Modem**

**11.4.1.1.1** After detecting S followed by  $\bar{S}$ , the call modem shall stop sending J sequences, condition its receiver to detect signal TRN, turn on circuit 107, transmit one J' sequence, and then transmit signal TRN.

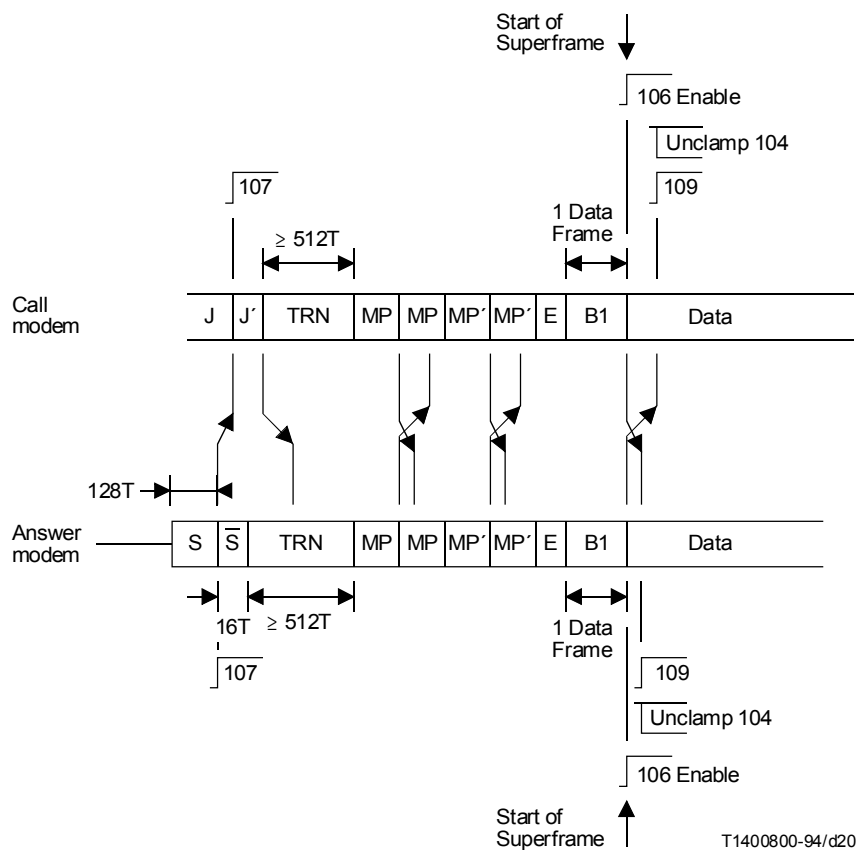


FIGURE 20/V.34  
Phase 4 – Final Training

**11.4.1.1.2** After transmitting signal TRN for a minimum of 512T, the modem shall condition its receiver to receive sequence MP and may continue sending TRN for up to 2000 ms. After training adequately, the call modem shall then cease transmitting TRN and send sequence MP. After receiving the answer modem's MP sequence, the call modem shall complete sending the current MP sequence and then send MP' sequences (MP sequences with the acknowledge bit set).

**11.4.1.1.3** The call modem shall continue sending MP' sequences until it receives MP' or E from the answer modem. The modem shall then complete the current MP' sequence and then send a single 20-bit E sequence. The modem can then determine the data signalling rates in both directions as follows:

If bit 50 of MP is set to 0 (symmetric rates) by either the call or answer modems, the call modem's transmit and receive rate shall be the maximum rate enabled in both modems that is less than or equal to the call-to-answer and answer-to-call rates specified in both modems' MP sequences.

If both call and answer modems have bit 50 set to 1 (asymmetric rate) the call modem's transmit rate shall be the maximum rate enabled in both modems that is less than or equal to the call-to-answer rates specified in both modems' MP sequences. The call modem's receive rate shall be the maximum rate enabled in both modems that is less than or equal to the answer-to-call rates specified in both modems' MP sequences.

**11.4.1.1.4** After sending an E sequence, the call modem shall send B1 at the negotiated data signalling rate using the data mode modulation parameters, enable circuit 106 to respond to the condition of circuit 105, start a new superframe, and begin data transmission using the modulation procedures of clauses 5 to 9.

**11.4.1.1.5** After receiving a 20-bit E sequence, the modem shall condition its receiver to receive B1. After receiving B1, the modem shall unclamp circuit 104, turn on circuit 109, and begin demodulating data.

### 11.4.1.2 Answer Modem

**11.4.1.2.1** The answer modem shall transmit signal S for 128T, condition its receiver to detect sequence J' followed by signal TRN, and turn on circuit 107. The modem shall then transmit signal  $\bar{S}$  for 16T followed by signal TRN.

**11.4.1.2.2** After receiving 512T of signal TRN, the answer modem shall condition its receiver to receive sequence MP and continue transmitting TRN until its receiver is trained adequately. The modem shall transmit TRN for at least 512T but no longer than 2000 ms plus a round-trip delay. It shall then send MP sequences. After receiving the call modem's MP sequence, the modem shall complete sending the current MP sequence, and then send MP' sequences (MP sequences with the acknowledge bit set).

**11.4.1.2.3** The answer modem shall continue sending MP sequences until it has sent an MP' sequence and received P' or E from the call modem. The modem shall then complete the current MP' sequence and send a single 20-bit E sequence. The modem shall determine the data signalling rates as follows:

If bit 50 of MP is set to 0 (symmetric rates) by either the call or answer modem, the answer modem's transmit and receive rate shall be the maximum rate enabled in both modems that is less than or equal to the call-to-answer and answer-to-call rates specified in both modems' MP sequences.

If both call and answer modems have bit 50 set to 1 (asymmetric rate) the answer modem's transmit rate shall be the maximum rate enabled in both modems that is less than or equal to the answer-to-call rates specified in both modems' MP sequences. The answer modem's receive rate shall be the maximum rate enabled in both modems that is less than or equal to the call-to-answer rates specified in both modems' MP sequences.

**11.4.1.2.4** After sending the E sequence, the answer modem shall send B1 at the negotiated data signalling rate using the data mode modulation parameters. The modem shall then enable circuit 106 to respond to the condition of circuit 105, start a new superframe, and begin data transmission using the modulation procedures of clauses 5 to 9.

**11.4.1.2.5** After receiving a 20-bit E sequence, the answer modem conditions its receiver to receive B1. After receiving B1, the modem shall unclamp circuit 104, turn on circuit 109, and begin demodulating data.

Figure 20 shows the sequence of events during Phase 4.

### 11.4.2 Recovery Mechanism

#### 11.4.2.1 Call Modem

If Tone A is detected during Phase 4, the call modem shall respond to a retrain according to 11.5.1.2. The call modem may initiate a retrain during Phase 4 according to 11.5.1.1.

**11.4.2.1.1** If, in 11.4.1.1.1, the S-to- $\bar{S}$  transition is not detected within 600 ms plus a round-trip delay from the start of sequence J, the call modem shall transmit silence for  $70 \pm 5$  ms, then send INFOMARKSc. The modem shall then condition its receiver to receive INFOMARKSa. After receiving INFOMARKSa, the call modem shall send INFO1c and proceed in accordance with 11.2.1.1.8.

**11.4.2.1.2** If, after sending the J' sequence, the modem has not received the E sequence for the following timeout period, it shall initiate the retrain procedure. If bit 24 in INFO0a is set to 1 (the CME bit in Table 14), the timeout period shall be 30 seconds. If bit 24 in INFO0a is set to 0, the timeout period shall be 2500 ms plus 2 round-trip delays.

#### 11.4.2.2 Answer Modem

If Tone B is detected during Phase 4, the answer modem shall respond to a retrain according to 11.5.2.2. The answer modem may initiate a retrain during Phase 4 according to 11.5.2.1.

**11.4.2.2.1** If, in 11.4.1.2.1, sequence J' is not received within 100 ms plus a round-trip delay from the S-to- $\bar{S}$  transition, the answer modem shall condition its receiver to receive INFOMARKSc or Tone B. If INFOMARKSc is

received, the answer modem shall send INFOMARKSa, condition its receiver to receive INFO1c, and then proceed in accordance with 11.2.1.2.9. If Tone B is detected, the answer modem shall respond to a retrain according to 11.5.2.2.

**11.4.2.2.2** If after transmitting signal  $\bar{S}$ , the modem has not received the E sequence for the following timeout period, it shall initiate the retrain procedure. If bit 24 in INFO0c is set to 1 (the CME bit in Table 14), the timeout period shall be 30 seconds. If bit 24 in INFO0c is set to 0, the timeout period shall be 2500 ms plus 3 round-trip delays.

## 11.5 Retrains

### 11.5.1 Call Modem

**11.5.1.1** Initiating Retrain – To initiate a retrain, the call modem shall turn OFF circuit 106, clamp circuit 104 to binary one and transmit silence for  $70 \pm 5$  ms. The call modem shall then transmit Tone B and condition its receiver to detect Tone A and receive INFO0a. If Tone A is detected, the call modem shall condition its receiver to detect a Tone A phase reversal and proceed in accordance with 11.2.1.1.3. If INFO0a is received, the modem shall proceed in accordance with 11.8.1.

**11.5.1.2** Responding to Retrain – After detecting Tone A for more than 50 ms, the call modem shall turn OFF circuit 106, clamp circuit 104 to binary one and transmit silence for  $70 \pm 5$  ms. The call modem shall then transmit Tone B, condition its receiver to detect a Tone A phase reversal, and proceed in accordance with 11.2.1.1.3.

### 11.5.2 Answer Modem

**11.5.2.1** Initiating Retrain – To initiate a retrain, the answer modem shall turn OFF circuit 106, clamp circuit 104 to binary one and transmit silence for  $70 \pm 5$  ms. The answer modem shall then transmit Tone A and condition its receiver to detect Tone B and receive INFO0c. If Tone B is detected and Tone A has been transmitted for at least 50 ms, the answer modem shall transmit a Tone A phase reversal and proceed according to 11.2.1.2.4. If INFO0c is received, the modem shall proceed according to 11.8.2.

**11.5.2.2** Responding to Retrain – After detecting Tone B for more than 50 ms, the answer modem shall turn OFF circuit 106, clamp circuit 104 to binary one and transmit silence for  $70 \pm 5$  ms. The answer modem shall then transmit Tone A and proceed in accordance with 11.2.1.2.3.

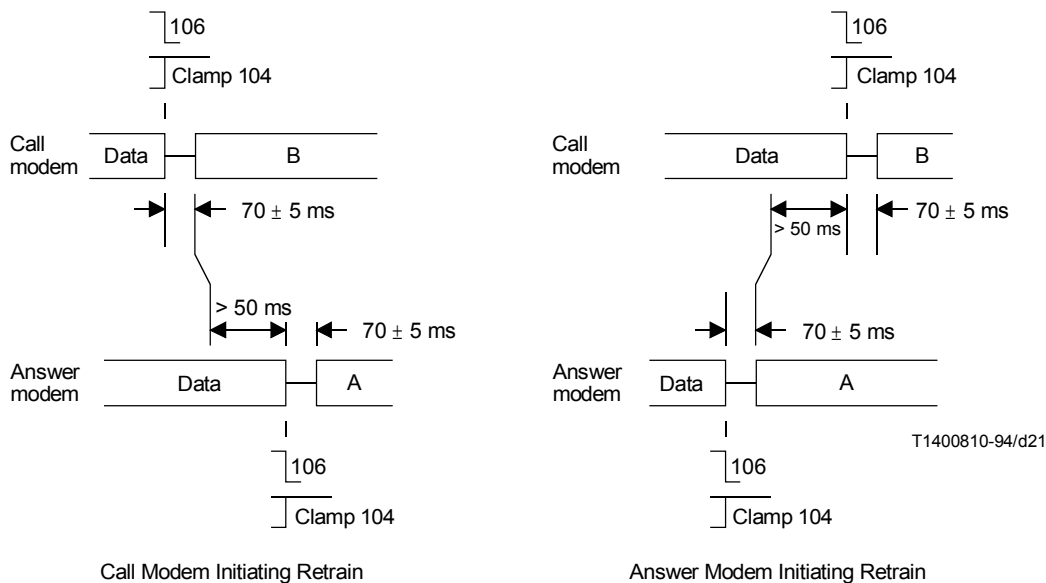


FIGURE 21/V.34

Retrain sequences in duplex mode

## 11.6 Rate Renegotiation

The rate renegotiation procedure can be initiated at any time during data mode to change to a new data signalling rate. This procedure can also be used to resynchronize the receiver without going through a complete retrain. In this case, signal TRN is transmitted until the receiver is prepared to enter data mode. Then the Modulation Parameters (MP) sequence is sent.

The TRN signal and the MP and E sequences are all sent using a 4-point constellation during rate renegotiation.

### 11.6.1 Error Free Procedure

#### 11.6.1.1 Initiating Modem

**11.6.1.1.1** To initiate a rate renegotiation, the modem shall turn OFF circuit 106, transmit signal S for 128T, followed by signal  $\bar{S}$  for 16T. The modem may then transmit signal TRN for a maximum of 2000 ms plus a round-trip delay, followed by sequence MP.

**11.6.1.1.2** After detecting signal S, the modem shall clamp circuit 104 to binary one and be conditioned to detect the S-to- $\bar{S}$  transition. After detecting the S-to- $\bar{S}$  transition, the modem shall condition its receiver to receive sequence MP. When the modem has received at least one MP sequence, and the modem is sending MP sequences, the modem shall complete sending the current MP sequence and then send MP' sequences.

**11.6.1.1.3** The initiating modem shall continue sending MP' sequences until it has sent an MP' sequence and received MP' or E from the responding modem. The modem shall then complete the current MP' sequence and send a single 20-bit E sequence. The initiating modem shall determine the data signalling rates as described in 11.4.1.1.3, if it is the call modem or in 11.4.1.2.3, if it is the answer modem.

**11.6.1.1.4** After sending the E sequence, the initiating modem shall send B1 at the negotiated data signalling rate using the data mode modulation parameters. The modem shall then enable circuit 106 to respond to the condition of circuit 105, start a new superframe, and begin data transmission using the modulation procedures of clauses 5 to 9.

**11.6.1.1.5** After receiving a 20-bit E sequence, the initiating modem shall condition its receiver to receive B1. After receiving B1, the modem shall unclamp circuit 104, and begin demodulating data.

#### 11.6.1.2 Responding Modem

**11.6.1.2.1** After detecting signal S, the responding modem shall clamp circuit 104 to binary one and be conditioned to detect the S-to- $\bar{S}$  transition. After detecting the S-to- $\bar{S}$  transition, the responding modem shall condition its receiver to detect sequence MP.

**11.6.1.2.2** The responding modem shall then turn OFF circuit 106 and transmit signal S for 128T followed by signal  $\bar{S}$  for 16T. The modem may then transmit signal TRN for a maximum of 2000 ms, followed by sequence MP. When the modem has received at least one MP sequence, and the modem is sending MP sequences, the modem shall complete sending the current MP sequence and then send MP' sequences.

**11.6.1.2.3** The responding modem shall continue transmitting MP' sequences until it receives MP' or E from the initiating modem. The modem shall then complete the current MP' sequence and then send a single 20-bit E sequence. The responding modem shall determine the data signalling rates as described in 11.4.1.1.3, if it is the call modem or in 11.4.1.2.3, if it is the answer modem.

**11.6.1.2.4** After sending an E sequence, the responding modem shall send B1 at the negotiated data signalling rate using the data mode modulation parameters, enable circuit 106 to respond to the condition of circuit 105, start a new superframe, and begin data transmission using the modulation procedures of clauses 5 to 9.

**11.6.1.2.5** After receiving a 20-bit E sequence, the modem shall condition its receiver to receive B1. After receiving B1, the modem shall unclamp circuit 104, and begin demodulating data.

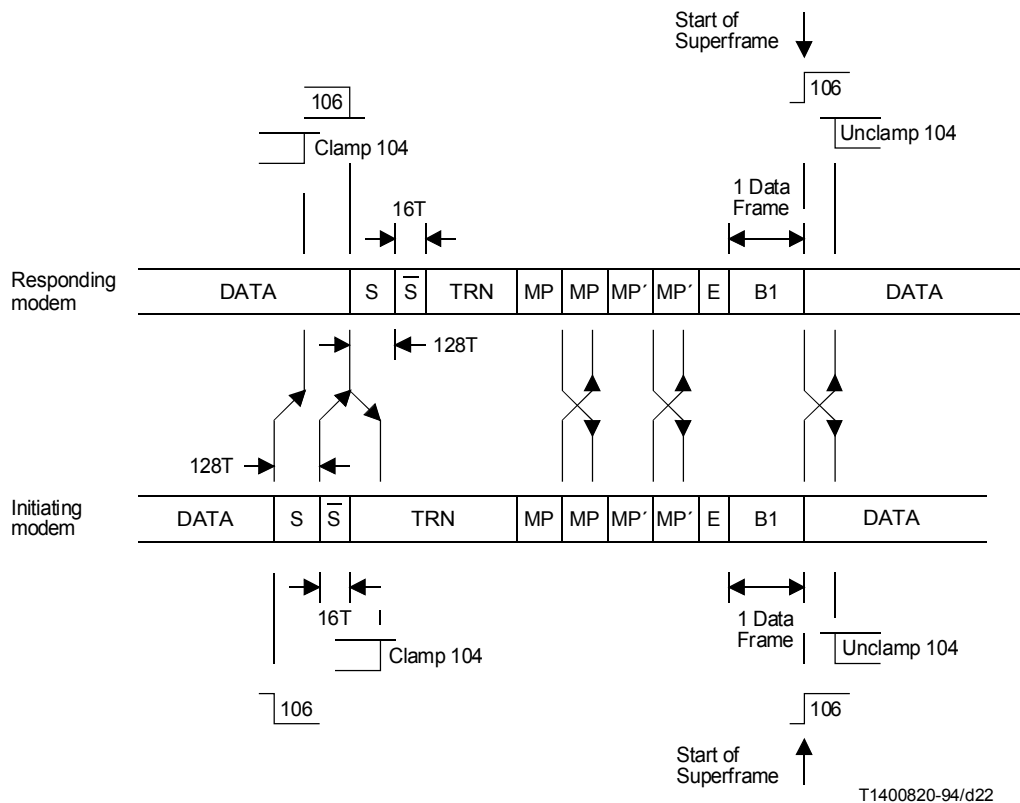


FIGURE 22/V.34

Rate Renegotiation – MP' represents the MP signal with the acknowledge bit set

## 11.6.2 Recovery Mechanism

### 11.6.2.1 Initiating Modem

If the initiating modem is the call modem and Tone A is detected during rate renegotiation, the modem shall respond to a retrain according to 11.5.1.2, or it may initiate a retrain according to 11.5.1.1. If the initiating modem is the answer modem and Tone B is detected during rate renegotiation, the modem shall respond to a retrain according to 11.5.2.2, or it may initiate a retrain according to 11.5.2.1.

If after transmitting the S-to-S-bar transition, the modem has not received sequence E for the following timeout period, it shall initiate the retrain procedure. If bit 24 in INFO0 is set to 1 (the CME bit in Table 14), the timeout period shall be 30 seconds. If bit 24 in INFO0 is set to 0, the timeout period shall be 2500 ms plus 2 round-trip delays.

### 11.6.2.2 Responding Modem

If the responding modem is the call modem and Tone A is detected during rate renegotiation, the modem shall respond to a retrain according to 11.5.1.2, or it may initiate a retrain according to 11.5.1.1. If the responding modem is the answer modem and Tone B is detected during rate renegotiation, the modem shall respond to a retrain according to 11.5.2.2, or it may initiate a retrain according to 11.5.2.1.

If after transmitting the S-to-S-bar transition, the modem has not received sequence E for the following timeout period, it shall initiate the retrain procedure. If bit 24 in INFO0 is set to 1 (the CME bit in Table 14), the timeout period shall be 30 seconds. If bit 24 in INFO0 is set to 0, the timeout period shall be 2500 ms plus 3 round-trip delays.

## 11.7 Cleardown

The cleardown procedure can be initiated at any time during data mode to terminate a connection gracefully. This procedure is similar to the rate renegotiation procedure.

### 11.7.1 Initiating Modem

**11.7.1.1** To initiate a cleardown, the initiating modem shall transmit signal S for 128T and condition its receiver to detect signal S. The modem shall then transmit signal  $\bar{S}$  for 16T, and send MP sequences requesting zeros for the call-to-answer and answer-to-call data rates.

**11.7.1.2** After detecting signal S from the responding modem, the initiating modem shall condition its receiver to detect  $\bar{S}$  followed by MP sequences.

**11.7.1.3** If the MP sequence from the responding modem has already been received, the modem shall send MP' sequences rather than MP sequences. After receiving MP sequences, the initiating modem shall send MP' sequences.

**11.7.1.4** When the initiating modem is both receiving and sending MP' sequences, it shall terminate the connection.

### 11.7.2 Responding Modem

**11.7.2.1** If a modem in data mode receives signal S followed by  $\bar{S}$ , it becomes the responding modem. The responding modem shall stop transmitting data and transmit signal S for 128T followed by signal  $\bar{S}$  for 16T.

**11.7.2.2** The responding modem shall then send MP sequences and condition its receiver to receive the initiating modem's MP sequence as in a normal rate renegotiation. If the MP sequence from the initiating modem has already been detected, the modem shall send MP' sequences rather than MP sequences. After detecting the MP sequence from the initiating modem, the responding modem shall send MP' sequences.

**11.7.2.3** After the responding modem has both received an MP' sequence from the initiating modem requesting zeros for the call-to-answer and answer-to-call data signalling rates, and has sent an MP' sequence, it shall then terminate the connection.

## 11.8 Two-wire Leased Line Operation

For two-wire leased line operation, one of the modems shall be configured as the call modem and the other shall be configured as the answer modem. The call modem shall operate according to 11.8.1 and the answer modem shall operate according to 11.8.2.

### 11.8.1 Call Modem

The call modem shall repeatedly send INFO0c sequences and condition its receiver to receive INFO0a. If the call modem receives INFO0a with bit 28 set to 1, it shall condition its receiver to detect Tone A and the subsequent Tone A phase reversal, complete sending the current INFO0c sequence, and then transmit Tone B. The modem shall then proceed according to 11.2.1.1.3.

NOTE – The call modem shall set bit 28 of the INFO0c sequence to 1 after correctly receiving the INFO0a sequence.

### 11.8.2 Answer Modem

The answer modem shall repeatedly send INFO0a sequences and condition its receiver to receive INFO0c. If the answer modem receives INFO0c with bit 28 set to 1, it shall condition its receiver to detect Tone B, complete sending the current INFO0a sequence, and then transmit Tone A. The modem shall then proceed according to 11.2.1.2.3.

NOTE – The answer modem shall set bit 28 of the INFO0a sequence to 1 after correctly receiving the INFO0c sequence.

## 12 Half-duplex Operating Procedures

Half-duplex operation in the context of this Recommendation describes a mode of operation where exchange of data alternates between unidirectional transmission of primary channel data from source to recipient modem and simultaneous bidirectional transmission of control channel data between the two modems.



## 12.1 Phase 1 – Network Interaction

Procedures for Phase 1 in half-duplex operation are identical to those specified in 11.1.

## 12.2 Phase 2 – Probing

Channel probing is performed in Phase 2 of the half-duplex start-up procedure. The description below details both error free and recovery procedures for the cases when the call modem is the source modem and the answer modem is the source modem. Capabilities information and modulation parameters are sent in the INFO sequences detailed in 10.1.2.3 and 10.2.2.1.

### 12.2.1 Call Modem as Source Modem

Figure 23 details Phase 2 procedures when the call modem is the source modem.

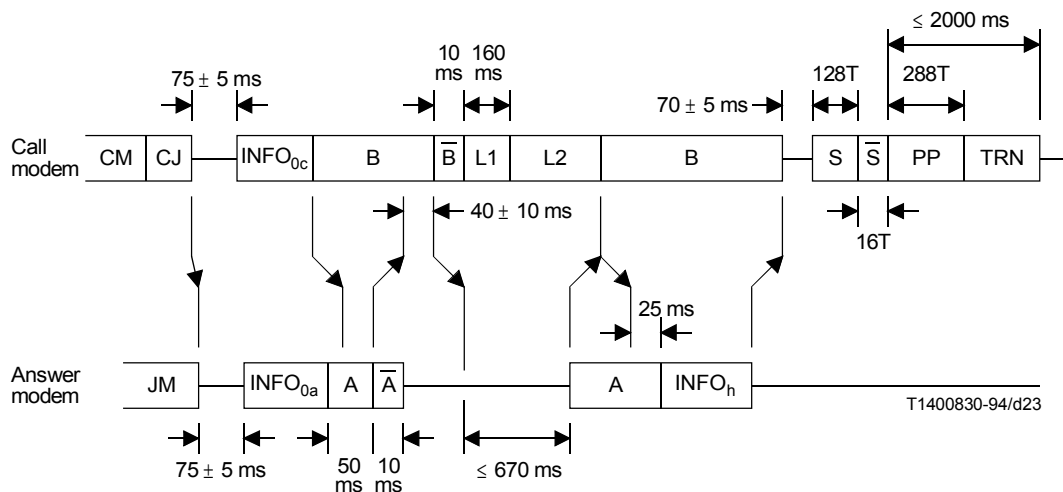


FIGURE 23/V.34

### Phases 2 and 3 – Call modem is source modem

#### 12.2.1.1 Call Modem Error Free Operation

**12.2.1.1.1** During the  $75 \pm 5$  ms silent period ending Phase 1, the call modem shall condition its receiver to receive INFO0a and detect Tone A. After the  $75 \pm 5$  ms silent period, the call modem shall send INFO0c with bit 28 set to 0, followed by Tone B.

**12.2.1.1.2** After receiving INFO0a, the modem shall condition its receiver to detect Tone A and the subsequent Tone A phase reversal.

**12.2.1.1.3** After detecting the Tone A phase reversal, the call modem shall wait  $40 \pm 10$  ms and transmit a Tone B phase reversal. Tone B shall be transmitted for another 10 ms after the phase reversal, and then the modem shall transmit signal L1 for 160 ms. The modem shall then transmit signal L2 and condition its receiver to detect Tone A.

**12.2.1.1.4** After detecting Tone A, the call modem shall transmit Tone B and condition its receiver to receive INFOh. After receiving INFOh, the modem shall proceed according to 12.3.1.

#### 12.2.1.2 Answer Modem Error Free Operation

**12.2.1.2.1** During the  $75 \pm 5$  ms silent period ending Phase 1, the answer modem shall condition its receiver to receive INFO0c and detect Tone B. After the  $75 \pm 5$  ms silent period, the answer modem shall send INFO0a with bit 28 set to 0, followed by Tone A.

**12.2.1.2.2** After receiving INFO0c, the modem shall condition its receiver to detect Tone B and receive INFO0c.

**12.2.1.2.3** After Tone B is detected and Tone A has been transmitted for at least 50 ms, the answer modem shall transmit a Tone A phase reversal. Tone A is transmitted for another 10 ms after the phase reversal, and then the modem transmits silence. The modem shall then condition its receiver to detect a Tone B phase reversal.

**12.2.1.2.4** After detecting the Tone B phase reversal, the answer modem shall be conditioned to receive probing signals L1 and L2.

**12.2.1.2.5** The answer modem shall receive signal L1 for its 160 ms duration. The answer modem may then receive L2 for a period of time not to exceed 500 ms. The answer modem then transmits Tone A and conditions its receiver to detect Tone B.

**12.2.1.2.6** After Tone B is detected, the answer modem continues transmitting Tone A for 25 ms, then sends INFOh. After sending INFOh, the modem proceeds according to 12.3.2.

### **12.2.1.3 Call Modem Recovery Mechanisms**

**12.2.1.3.1** If, in 12.2.1.1.2 or 12.2.1.1.3, Tone A is detected before correctly receiving INFO0a, or repeated INFO0a is received, the modem will repeatedly send INFO0c.

If the call modem receives INFO0a with bit 28 set to 1, it will condition itself to detect Tone A followed by a phase reversal in Tone A, complete sending the current INFO0c sequence, and then transmit Tone B. Alternatively, if the call modem detects Tone A having correctly received INFO0a, it will condition itself to detect a phase reversal in Tone A, complete sending the current INFO0c sequence, and transmit Tone B. In either case, the call modem then proceeds according to 12.2.1.1.3.

**12.2.1.3.2** If, in 12.2.1.1.3, the Tone A phase reversal is not detected, the call modem continues to transmit Tone B waiting for the answer modem to transmit another phase reversal.

**12.2.1.3.3** If, in 12.2.1.1.4, Tone A is not detected within 2700 ms from transmission of the Tone B phase reversal, the call modem transmits Tone B and conditions its receiver to detect Tone A followed by a phase reversal in Tone A. The modem then proceeds in accordance with 12.2.1.1.3.

**12.2.1.3.4** If, in 12.2.1.1.4, INFOh is not detected within 2000 ms from the transmission of Tone B in 12.2.1.1.4, the call modem shall continue to send Tone B and condition its receiver to detect Tone A. Upon detection of Tone A, the call modem proceeds in accordance with 12.2.1.1.4.

NOTE – The call modem shall set bit 28 of the INFO0c sequence to 1 after correctly receiving the INFO0a sequence.

### **12.2.1.4 Answer Modem Recovery Mechanisms**

**12.2.1.4.1** If, in 12.2.1.2.2 or 12.2.1.2.3, Tone B is detected before correctly receiving INFO0c, or repeated INFO0c is received, the modem will repeatedly send INFO0a.

If the answer modem receives INFO0c with bit 28 set to 1, it will condition itself to detect Tone B, complete sending the current INFO0a sequence, and transmit Tone A. Alternatively, if the answer modem detects Tone B having correctly received INFO0c, it will complete sending the current INFO0a sequence, and transmit Tone A. In either case, the answer modem then proceeds according to 12.2.1.2.3.

**12.2.1.4.2** If, in 12.2.1.2.4, the Tone B phase reversal is not detected within 2000 ms from the transmission of the Tone A phase reversal in 12.2.1.2.3, the answer modem conditions its receiver to detect Tone B. Upon detecting Tone B, the answer modem transmits Tone A and proceeds according to 12.2.1.2.3.

**12.2.1.4.3** If, in 12.2.1.2.6, Tone B is not detected within 2000 ms from beginning of transmission of Tone A in 12.2.1.2.5, the answer modem sends INFOh, and then proceeds to Phase 3 of the half-duplex start-up.

NOTE – The answer modem shall set bit 28 of the INFO0a sequence to 1 after correctly receiving the INFO0c sequence.

## 12.2.2 Answer Modem as Source Modem

Figure 24 details Phase 2 procedures when the answer modem is the source modem.

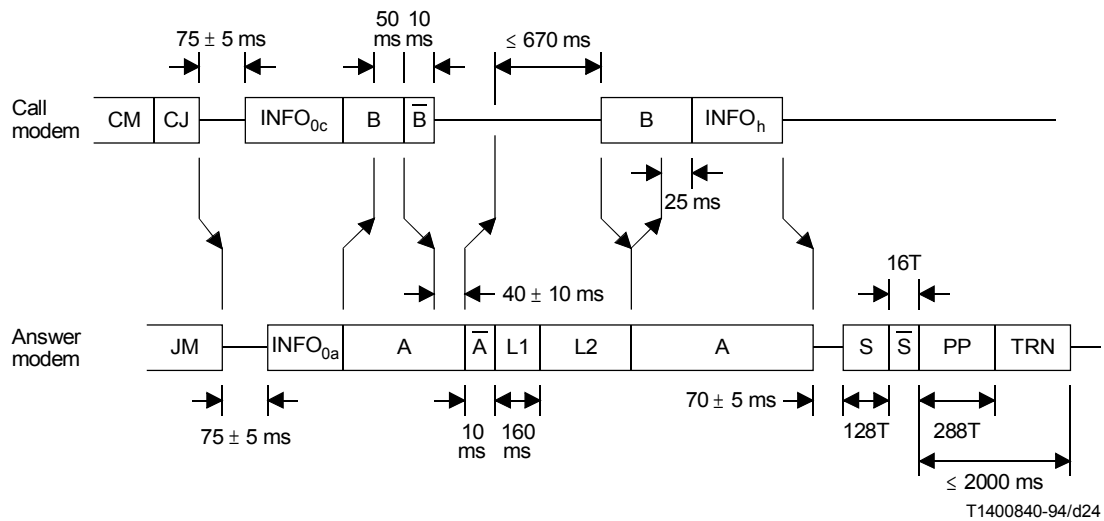


FIGURE 24/V.34

### Phases 2 and 3 – Answer modem is source modem

#### 12.2.2.1 Call Modem Error Free Operation

**12.2.2.1.1** During the 75 ± 5 ms silent period ending Phase 1, the call modem shall condition its receiver to receive INFO<sub>0a</sub> and detect Tone A. After the 75 ± 5 ms silent period, the call modem shall send INFO<sub>0c</sub> with bit 28 set to 0, followed by Tone B.

**12.2.2.1.2** After receiving INFO<sub>0a</sub>, the modem shall condition its receiver to detect Tone A and receive INFO<sub>0a</sub>.

**12.2.2.1.3** After Tone A has been detected and Tone B has been transmitted for at least 50 ms, the call modem shall transmit a Tone B phase reversal. Tone B is transmitted for another 10 ms after the phase reversal, and then the modem transmits silence. The modem shall then condition its receiver to detect a Tone A phase reversal.

**12.2.2.1.4** After detecting the Tone A phase reversal, the call modem shall be conditioned to receive probing signals L1 and L2.

**12.2.2.1.5** The call modem shall receive L1 for its 160 ms duration. The call modem may then receive L2 for a period of time not to exceed 500 ms. The call modem then transmits Tone B and conditions its receiver to detect Tone A.

**12.2.2.1.6** After Tone A is detected, the call modem continues transmitting Tone B for 25 ms, then sends INFO<sub>h</sub>. After sending INFO<sub>h</sub>, the modem proceeds according to 12.3.2.

#### 12.2.2.2 Answer Modem Error Free Operation

**12.2.2.2.1** During the 75 ± 5 ms silent period ending Phase 1, the answer modem shall condition its receiver to receive INFO<sub>0c</sub> and detect Tone B. After the 75 ± 5 ms silent period, the answer modem shall send INFO<sub>0a</sub> with bit 28 set to 0, followed by Tone A.

**12.2.2.2.2** After receiving INFO<sub>0c</sub>, the modem shall condition its receiver to detect Tone B and the subsequent Tone B phase reversal.

**12.2.2.2.3** After detecting the Tone B phase reversal, the answer modem shall wait 40 ± 10 ms and transmit a Tone A phase reversal. Tone A shall be transmitted for another 10 ms after the phase reversal, and then the modem shall transmit signal L1 for 160 ms. The modem shall then transmit signal L2 and condition its receiver to detect Tone B.

**12.2.2.2.4** After detecting Tone B, the answer modem shall transmit Tone A and condition its receiver to receive INFOh. After receiving INFOh, the modem shall proceed according to 12.3.1.

### **12.2.2.3 Call Modem Recovery Mechanism**

**12.2.2.3.1** If, in 12.2.2.1.2 or 12.2.2.1.3, Tone A is detected before correctly receiving INFO0a, or repeated INFO0a is received, the modem will repeatedly send INFO0c.

If the call modem receives INFO0a with bit 28 set to 1, it will condition itself to detect Tone A and transmit Tone B. Alternatively, if the call modem detects Tone A having correctly received INFO0a, it will transmit Tone B. In either case, the call modem then proceeds according to 12.2.2.1.3.

**12.2.2.3.2** If, in 12.2.2.1.4, the Tone A phase reversal is not detected within 2000 ms from transmission of the Tone B phase reversal in 12.2.2.1.3, the call modem conditions its receiver to detect Tone A. Upon detecting Tone A, the call modem transmits Tone B and proceeds according to 12.2.2.1.3.

**12.2.2.3.3** If, in 12.2.2.1.6, the Tone A phase reversal is not detected within 2000 ms from transmission of the Tone B phase reversal in 12.2.2.1.5, the call modem sends INFOh, and then proceeds according to 12.3.2.

NOTE – The call modem shall set bit 28 of the INFO0c sequence to 1 after correctly receiving the INFO0a sequence.

### **12.2.2.4 Answer Modem Recovery Mechanism**

**12.2.2.4.1** If, in 12.2.2.2.2 or 12.2.2.2.3, Tone B is detected before correctly receiving INFO0c, or repeated INFO0c is received, the modem shall repeatedly send INFO0a.

If the answer modem receives INFO0c with bit 28 set to 1, it will condition itself to detect Tone B followed by a phase reversal in Tone B, and transmit Tone A. Alternatively, if the answer modem detects Tone B having correctly received INFO0c, it shall be conditioned to detect a phase reversal in Tone B, and transmit Tone A. In either case, the answer modem shall then proceed in accordance with 12.2.2.2.3.

**12.2.2.4.2** If, in 12.2.2.2.3, the Tone B phase reversal is not detected, the answer modem shall continue to transmit Tone A while waiting for the call modem to transmit another phase reversal.

**12.2.2.4.3** If, in 12.2.2.2.4, Tone B is not detected within 2700 ms from the transmission of the Tone A phase reversal in 12.2.2.2.3, the answer modem shall transmit Tone A and condition its receiver to detect Tone B followed by a phase reversal in Tone B. The modem shall then proceed in accordance with 12.2.2.2.3.

**12.2.2.4.4** If, in 12.2.2.2.4, INFOh is not received within 2000 ms from the transmission of Tone A in 12.2.2.2.4, the answer modem shall continue to send Tone A and condition its receiver to detect Tone B. Upon detection of Tone B, the answer modem shall proceed in accordance with 12.2.2.2.4.

NOTE – The answer modem shall set bit 28 of the INFO0a sequence to 1 after correctly receiving the INFO0c sequence.

## **12.3 Phase 3 – Primary Channel Equalizer Training**

Equalizer training is performed in Phase 3 of the half-duplex start-up. The description below details the procedures in the source and recipient modems (see Figures 23 and 24).

### **12.3.1 Source Modem**

**12.3.1.1** After receiving INFOh, the modem shall transmit silence for  $70 \pm 5$  ms, then transmit signal S for 128T followed by  $\bar{S}$  for 16T, followed by signal PP.

**12.3.1.2** After transmitting signal PP, the source modem shall transmit signal TRN. The constellation size and duration of signal TRN are set according to the INFOh sequence received from the recipient modem.

**12.3.1.3** After transmitting signal TRN, the modem proceeds to transmit and receive using the control channel according to 12.4.

## 12.3.2 Recipient Modem

**12.3.2.1** After sending INFOh, the recipient modem transmits silence and conditions its receiver to detect S followed by  $\bar{S}$ .

**12.3.2.2** After signal S followed by  $\bar{S}$  is detected, the modem conditions its receiver to begin training its main channel equalizer using signal PP. After receiving signal PP, the modem may further refine its equalizer using signal TRN.

**12.3.2.3** After receiving TRN for the duration indicated in INFOh, the modem proceeds to transmit and receive using the control channel according to 12.4.

## 12.3.3 Recipient Modem Error Recovery Procedures

If, in 12.3.2.2, signal S is not detected within 2000 ms, the recipient modem conditions its receiver to detect Tone B. Upon detection of Tone B, the recipient modem shall transmit Tone A and proceed in accordance with 12.2.1.2.6, if it is the answer modem or 12.2.2.1.6, if it is the call modem.

## 12.4 Control Channel Start-up

The purpose of the control channel is to exchange information before and between the transmission of primary channel user data. Figure 25 shows the procedures for initial training of the control channel and for restarting the control channel when the source modem requests a change. Figure 26 shows the restart procedure when the recipient modem requests a change.

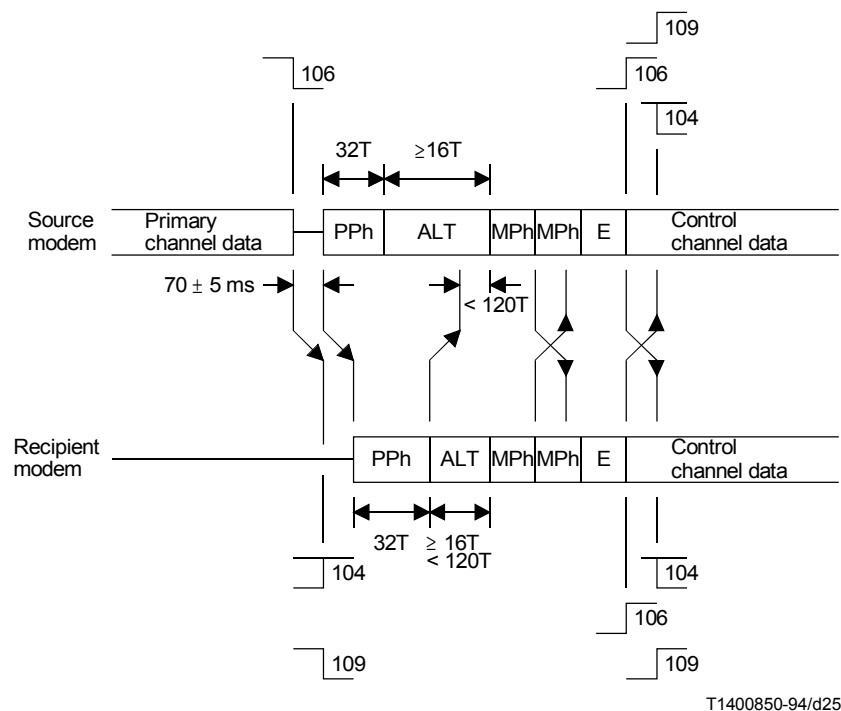
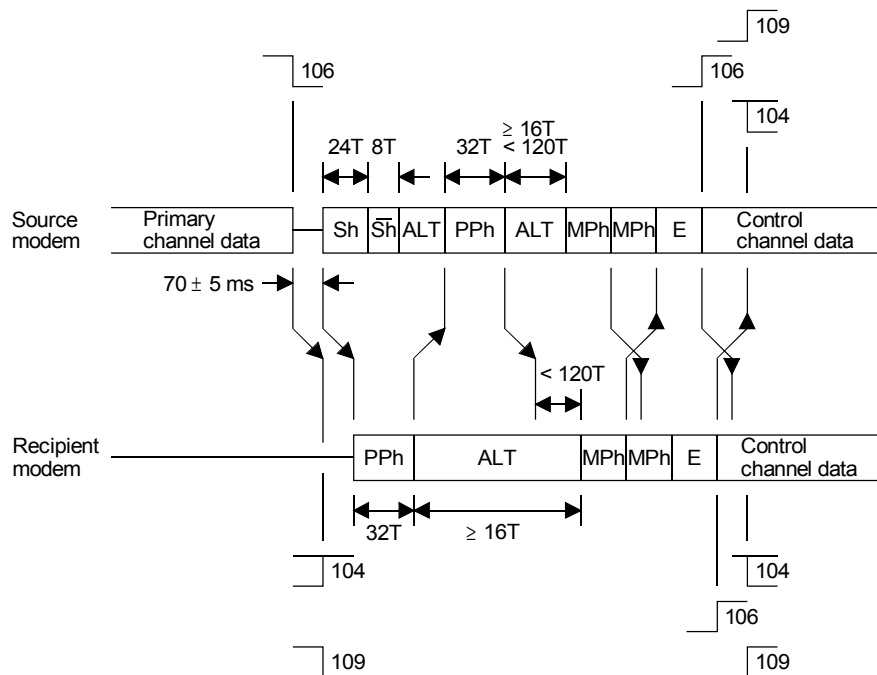


FIGURE 25/V.34

Control channel initial training and restart when source modem request change

## 12.4.1 Source Modem

**12.4.1.1** The source modem shall condition its receiver to detect signal PPh. After a silent interval of  $70 \pm 5$  ms, it sends signal PPh followed by signal ALT for a minimum of 16T. Upon detection of signal PPh, the source modem shall train its control channel equalizer using signal PPh, and condition its receiver to receive MPh from the recipient modem.



T1400860-94/d26

FIGURE 26/V.34

**Control channel restart when recipient modem requests change**

**12.4.1.2** After receiving signal PPh, the source modem shall send sequence MPh within 120T.

**12.4.1.3** When the source modem has received at least one MPh sequence and the modem is sending MPh sequences, the modem shall complete the current MPh and send a single 20-bit E sequence. At this time the modem shall determine the data signalling rate for the primary channel as follows:

The source modem's transmit rate shall be the maximum rate enabled that is less than or equal to the data signalling rates specified in both modems' MPh sequences.

**12.4.1.4** After sending sequence E, the source modem shall enable circuit 106 to respond to circuit 105 and transmit user control channel data using the data signalling rate indicated in the MPh sequence transmitted by the recipient modem. After receiving sequence E, the modem shall unclamp circuit 104, turn on circuit 109, and receive control channel user data at the data signalling rate indicated in the MPh sequence sent by the source modem.

**12.4.2 Recipient Modem**

**12.4.2.1** The recipient modem conditions its receiver to detect signal PPh. After detecting signal PPh, it shall transmit signal PPh, train its control channel equalizer using signal PPh, and condition its receiver to receive MPh from the source modem.

**12.4.2.2** After the recipient modem transmits signal PPh it shall transmit signal ALT.

**12.4.2.3** After transmitting signal ALT for at least 16T and no more than 120T, the recipient modem sends sequence MPh.

**12.4.2.4** When the recipient modem has received at least one MPh sequence and the modem is sending MPh sequences, the modem shall complete the current MPh and send a single 20-bit E sequence. At this point the modem shall determine the data signalling rate for the primary channel as follows:

The recipient modem's receive rate shall be the maximum rate enabled that is less than or equal to the data signalling rates specified in both modems' MPh sequences.

**12.4.2.5** After sending sequence E, the recipient modem shall enable circuit 106 to respond to circuit 105 and transmit user control channel data using the data signalling rate indicated in the MPh sequence transmitted by the source modem. After receiving E, the modem shall unclamp circuit 104, turn on circuit 109, and receive control channel user data using the data signalling rate indicated in the MPh sequence sent by the recipient modem.

## **12.5 Primary Channel Resynchronization Procedure**

### **12.5.1 Source Modem**

The source modem shall first transmit  $70 \pm 5$  ms of silence, then signal S for 128T, followed by  $\bar{S}$  for 16T, then signal PP followed by sequence B1. The modem shall then enable circuit 106 to respond to the condition of circuit 105 and then transmit user data.

### **12.5.2 Recipient Modem**

The recipient modem shall first condition its receiver to detect S and  $\bar{S}$ , and then resynchronize its receiver using signal PP. After receiving sequence B1, the modem shall unclamp circuit 104, turn on circuit 109, and begin receiving user data.

### **12.5.3 Primary Channel Turn-off**

#### **12.5.3.1 Source Modem**

When the source modem is in the primary channel mode and detects the ON to OFF transition of circuit 105, the modem shall turn OFF circuit 106, transmit 35 ms of scrambled ones, and then proceed according to 12.6.1.1.

#### **12.5.3.2 Recipient Modem**

When the recipient modem is in the primary channel mode and detects the OFF to ON transition of circuit 105, the modem shall turn OFF circuit 109 and clamp circuit 104, then proceed according to 12.6.2.

If the received signal level falls below the turn-off threshold as defined in 6.6.2, then the modem shall turn OFF circuit 109 and clamp circuit 104. If the received signal level returns above the turn-on threshold defined in 6.6.2, the modem shall turn ON circuit 109 and unclamp circuit 104.

## **12.6 Control Channel Resynchronization Procedure**

Figure 27 shows the control channel resynchronization procedure that is used between page transmissions.

### **12.6.1 Source Modem**

**12.6.1.1** If a change in modulation parameters is desired, the source modem proceeds according to 12.4.1.1. Otherwise, the source modem shall transmit silence for  $70 \pm 5$  ms, then transmit signal Sh for 24T followed by  $\bar{Sh}$  for 8T.

**12.6.1.2** The source modem shall then condition its receiver to detect signal PPh or signal Sh followed by  $\bar{Sh}$ , and then send sequence ALT.

**12.6.1.3** If signal PPh is detected, the modem shall transmit signal PPh followed by sequence ALT for a minimum of 16T, condition its receiver to receive MPh, and then proceed in accordance with 12.4.1.2.

**12.6.1.4** If signal Sh followed by  $\bar{Sh}$  is detected, the modem shall condition its receiver to detect sequence E, and then send sequence ALT for a minimum of 16T but no more than 120T, followed by sequence E. The modem shall then enable circuit 106 to respond to the condition of circuit 105 and transmit user control channel data using the control channel data signalling rate from the previous transmission. After receiving sequence E, the modem shall unclamp circuit 104, turn on circuit 109, and receive user control channel data.

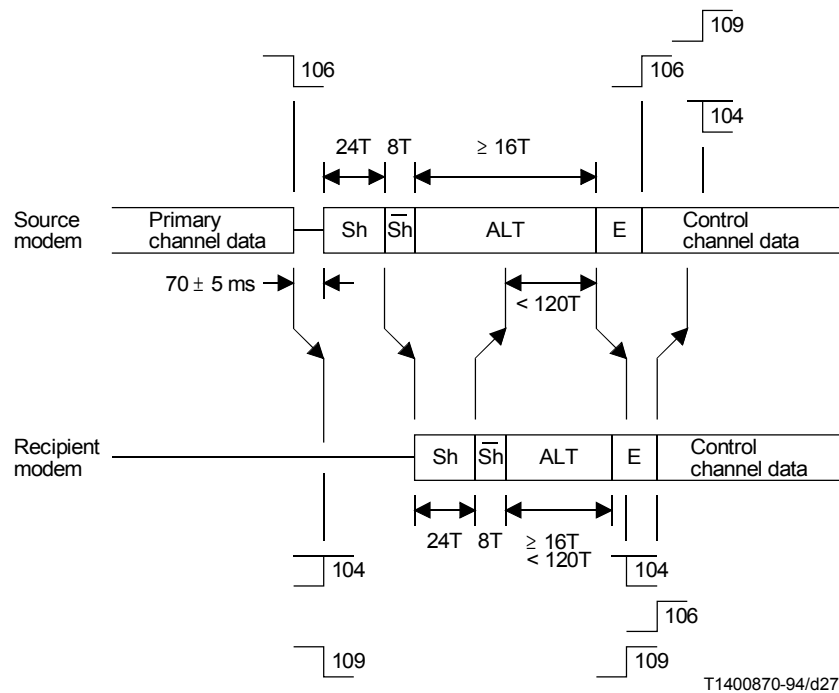


FIGURE 27/V.34

**Control channel resynchronization – Normal between page signalling**

**12.6.2 Recipient Modem**

**12.6.2.1** The modem shall condition its receiver to detect signal PPh or signal Sh followed by  $\overline{Sh}$ . If signal PPh is detected, the modem shall send signal PPh, condition its receiver to receive sequence MPh, and proceed according to 12.4.2.2.

If signal Sh followed by  $\overline{Sh}$  is detected and no change in modulation parameters is desired, the modem transmits sequence Sh for 24T,  $\overline{Sh}$  for 8T, and then sends ALT for a minimum of 16T but no more than 120T, followed by sequence E. The modem shall then enable circuit 106 to respond to circuit 105 and transmit user control channel data using the control channel data signalling rate from the previous transmission. After receiving sequence E, the modem shall unclamp circuit 104, turn on circuit 109, and receive user control channel data.

If signal Sh followed by  $\overline{Sh}$  is detected, and changes in modulation parameters are desired, the modem shall transmit signal PPh followed by sequence ALT, and condition its receiver to detect PPh. After PPh is detected, the modem shall proceed in accordance with 12.4.2.3.

**12.6.3 Control Channel Turn-off**

**12.6.3.1 Source Modem**

When the source modem is in the control channel mode and detects the ON to OFF transition of circuit 105, the modem shall turn OFF circuit 106, transmit 4T of scrambled ones, and then proceed according to 12.5.1.

If the received signal level falls below the turn-off threshold as defined in 6.6.2, then the modem shall turn OFF circuit 109 and clamp circuit 104. If the received signal level returns above the turn-on threshold defined in 6.6.2, the modem shall turn ON circuit 109 and unclamp circuit 104.

**12.6.3.2 Recipient Modem**

When the recipient modem is in the control channel mode and detects the ON to OFF transition of circuit 105, the modem shall turn OFF circuit 106, transmit 4T of scrambled ones, then transmit silence and proceed according to 12.5.2.



If the received signal level falls below the turn-off threshold as defined in 6.6.2, then the modem shall turn OFF circuit 109 and clamp circuit 104. If the received signal level returns above the turn-on threshold defined in 6.6.2, the modem shall turn ON circuit 109 and unclamp circuit 104.

## 12.7 Primary Channel Retrains

Figure 28 shows the control channel retrain procedure.

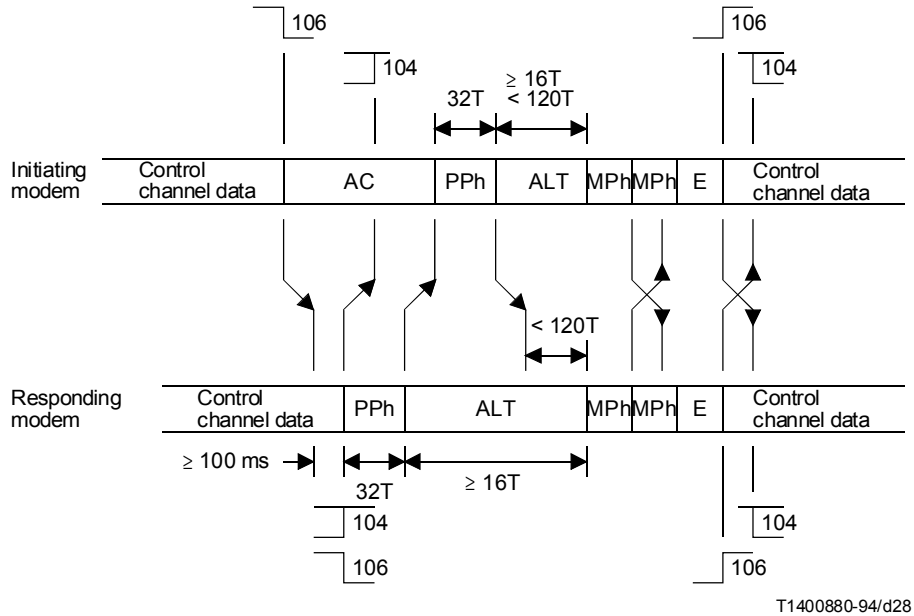


FIGURE 28/V.34  
Control channel retrains

### 12.7.1 Call Modem – Source or Recipient

**12.7.1.1 Initiating Retrain** – To initiate a retrain, the call modem shall turn OFF circuit 106, clamp circuit 104 to binary one and transmit silence for  $70 \pm 5$  ms. The call modem shall then transmit Tone B and condition its receiver to detect Tone A. After detecting Tone A, the call modem shall condition its receiver to detect a Tone A phase reversal and proceed in accordance with 12.2.1.1.3 (source modem) and 12.2.2.1.3 (recipient modem).

**12.7.1.2 Responding to Retrain** – After detecting Tone A for more than 50 ms, the call modem shall turn OFF circuit 106, clamp circuit 104 to binary one and transmit silence for  $70 \pm 5$  ms. The call modem shall then transmit Tone B, condition its receiver to detect a Tone A phase reversal, and proceed in accordance with 12.2.1.1.3 (source modem) and 12.2.2.1.3 (recipient modem).

### 12.7.2 Answer Modem – Source or Recipient

**12.7.2.1 Initiating Retrain** – To initiate a retrain, the answer modem shall turn OFF circuit 106, clamp circuit 104 to binary one and transmit silence for  $70 \pm 5$  ms. The answer modem shall then transmit Tone A, condition its receiver to detect Tone B, and proceed in accordance with 12.2.2.2.3 (source modem) and 12.2.1.2.3 (recipient modem).

**12.7.2.2 Responding to Retrain** – After detecting Tone B for more than 50 ms, the answer modem shall turn OFF circuit 106, clamp circuit 104 to binary one and transmit silence for  $70 \pm 5$  ms. The answer modem shall then transmit Tone A and proceed in accordance with 12.2.2.2.3 (source modem) and 12.2.1.2.3 (recipient modem).

## 12.8 Control Channel Retrains

### 12.8.1 Initiating Retrain

To initiate a control channel retrain, the initiating modem shall turn OFF circuit 106, transmit signal AC, and condition its receiver to detect signal PPh. When signal PPh is detected, the modem shall clamp circuit 104 to binary one, condition its receiver to receive MPh and transmit signal PPh followed by sequence ALT for a minimum of 16T. The modem shall then proceed in accordance with 12.4.1.2 (source modem) or 12.4.2.3 (recipient modem).

### 12.8.2 Responding to Retrain

After detecting signal AC for more than 100 ms, the responding modem shall turn OFF circuit 106, clamp circuit 104 to binary one, and proceed in accordance with 12.4.1.1 (source modem) or 12.4.2.1 (recipient modem).

## 13 Testing Facilities

Test loops 2 and 3 as defined in Recommendation V.54 shall be provided. Provision for test loop 2 shall be as specified for point-to-point circuits. Test loop 2 need only be supported for symmetric data signalling rates.

## 14 Glossary

### 14.1 Variables and Parameters used in Data mode (clauses 5 to 9)

- a A parameter in the symbol rate definition
- b Number of bits in a high mapping frame
- c A parameter in the symbol rate definition
- c(n) An input to trellis encoder
- d A parameter in the carrier frequency definition
- e A parameter in the carrier frequency definition
- f Frequency in Hz
- g<sub>2</sub>(p) Generating function used in shell mapper
- h(p) Precoding coefficients
- i Mapping frame index
- j A cyclic 4D symbol interval index
- k A cyclic 2D symbol interval index
- m A 4D symbol interval index
- m<sub>i,j,k</sub> A ring index
- n A 2D symbol interval index
- p(n) Rounded precoder filter output
- q(n) Precoder filter output
- q A parameter used in mapping
- r A parameter used in mapping frame switching
- s Subset label in trellis encoder
- u Precoder input signal
- v A signal point from the quarter-constellation
- w A parameter in precoding

$x(n)$	Non-linear encoder input signal
$x'(n)$	Non-linear encoder output signal
$y(n)$	An input to trellis encoder
$z_8(p)$	A cumulative function used in shell mapping
A-H	Variables used in shell mapping
$C_0$	Modulo encoder output
I	A data bit
$I(m)$	Differential encoder input
J	Number of data frames per superframe
K	Number of shell mapping input bits
L	Number of 2D signal constellation points
M	Number of rings in shell mapping
N	Number of data bits per data frame
P	Number of mapping frames per data frame
Q	A signal point label
$Q_{i,j,k,1}$	A data bit
R	Aggregate data signalling rate
$R_{0-5}$	Shell mapping variables
S	Symbol Rate
$S_{i,1}$	Shell mapping input bit
T	Symbol interval
$U_0$	Trellis encoder output
$V_0$	A bit inversion signal
W	Number of auxiliary channel bits per data frame
$Y_0(m)$	Convolutional encoder output
$Y_{1-4}(m)$	Convolutional encoder inputs
Z	Differential encoder output
$\alpha, \beta, \gamma$	Parameters used in pre-emphasis filter definitions
$\zeta$	A variable used in non-linear encoder
$\Phi$	A variable used in non-linear encoder
$\Theta$	A parameter used in non-linear encoder





